

# MII SERIES



**Servend**

## EXPLODED VIEWS



### Manitowoc Beverage Equipment

2100 Future Drive Sellersburg, IN 47172-1868  
Tel: 812.246.7000, 800.367.4233 • Fax: 812.246.9922  
[www.manitowocbeverage.com](http://www.manitowocbeverage.com)

In accordance with our policy of continuous product development and improvement, this information is subject to change at any time without notice.

Revision February 23, 2004

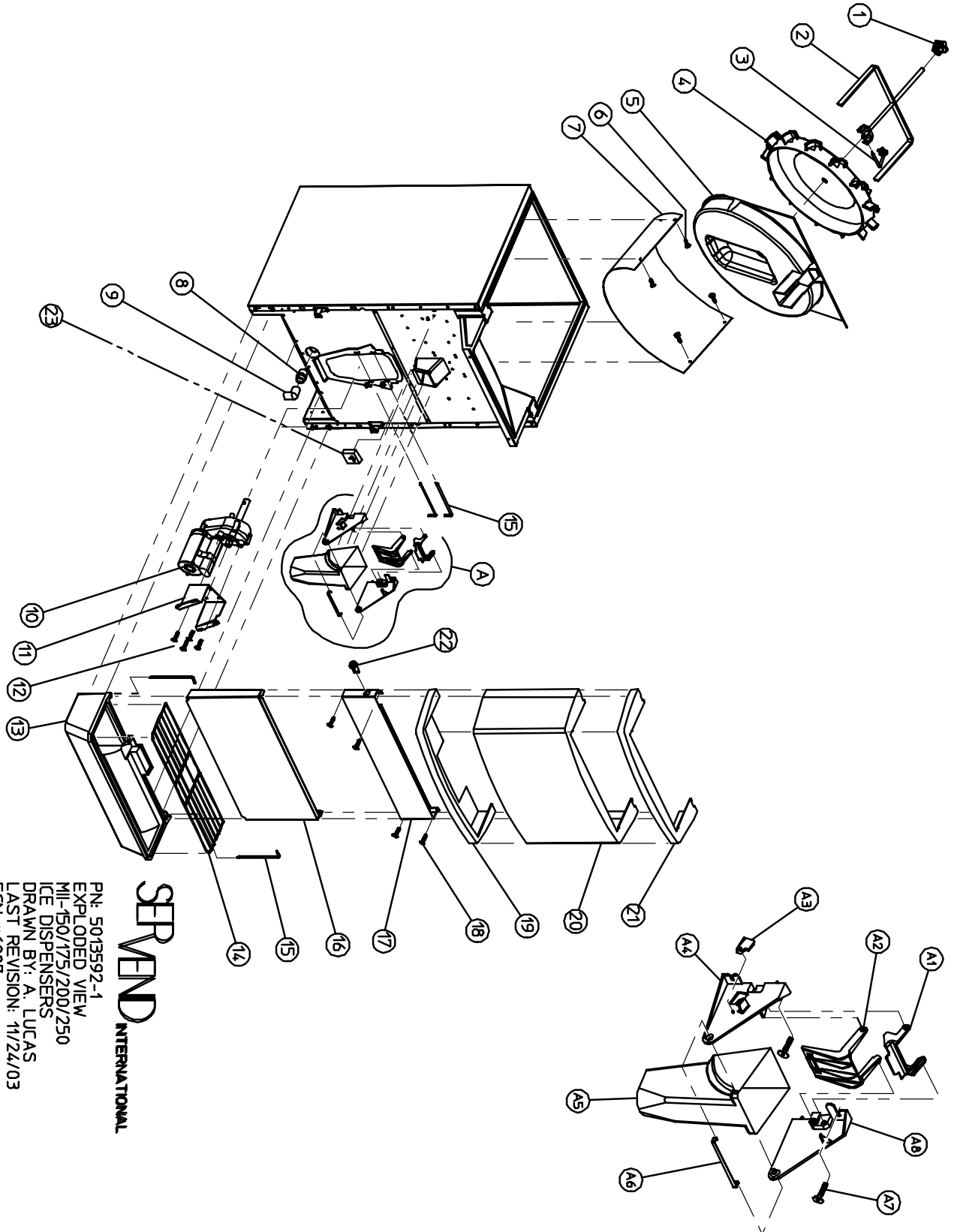


# TABLE OF CONTENTS

<b>EXPLODED VIEWS .....</b>	<b>3</b>
<b>MII-150, 175, 200, &amp; 250 .....</b>	<b>3</b>
<b>MII-150 PARTS LIST .....</b>	<b>4</b>
<b>MII-175 PARTS LIST .....</b>	<b>4</b>
<b>MII-200/250 PARTS LIST .....</b>	<b>5</b>
<b>MII-302 .....</b>	<b>6</b>
<b>MII-302 PARTS LIST .....</b>	<b>7</b>

# EXPLODED VIEWS

MII-150, 175, 200, & 250



**SERVEND**  
INTERNATIONAL

PN: 5013592-1  
EXPLODED VIEW  
MII-150/175/200/250  
ICE DISPENSERS  
DRAWN BY: A. LUCAS  
LAST REVISION: 11/24/03  
ECN #6007  
PAGE 1 OF 4

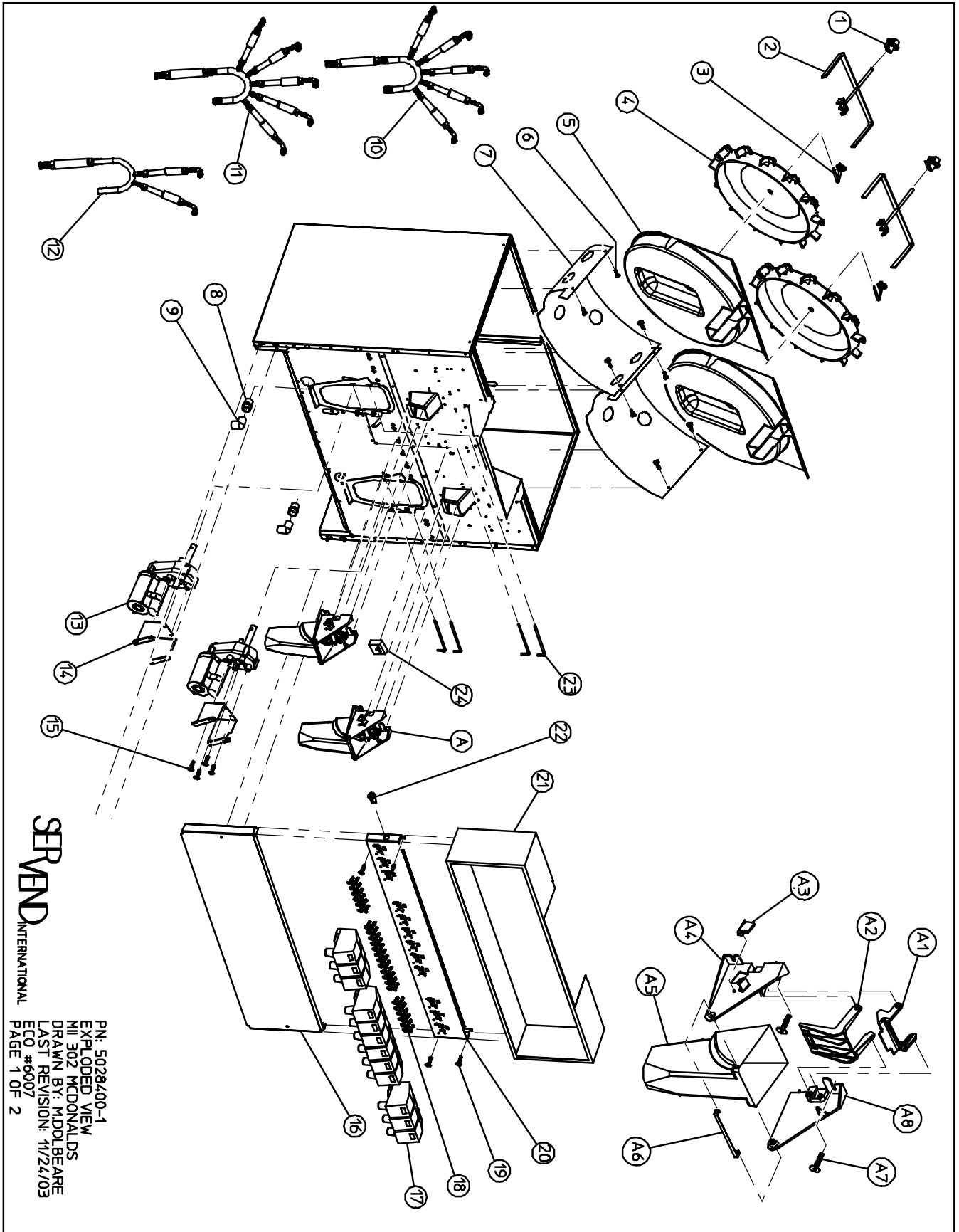


## MII-200/250 PARTS LIST

INDEX NUMBER	PARTS DESCRIPTION	PART NUMBER	INDEX NUMBER	PARTS DESCRIPTION	PART NUMBER
1	MUSHROOM BUSHING	0101702	A	WIDE ROCKING CHUTE ASSEMBLY	5008476
2	U-BAR AGITATOR	5009529	A1	DOOR LOCK	5002509
3	U-BAR AGITATOR PIN	5010452	A2	DOOR	5002508
4	PADDLE WHEEL	2601415	A3	MICROSWITCH	1000703
5	PADDLE WHEEL AREA	5001052	A4	DOOR MOUNT LEFT	5002507
6	SCREW 8-32X1/2" KNURL UNSLT (4X)	5000711	A5	WIDE ROCKING CHUTE	5002506
7	BIN LINER	7050055	A6	BRACKET	5003963
8	DRAIN FITTING 3/4"	1200121	A7	SCREW 8-32X1/2" ZNC PH RD F (4X)	5000973
9	DRAIN ELBOW 3/4" FEMALE	1200117	A8	DOOR MOUNT RIGHT	5002657
10	MOTOR AY-62	5000868	--	LEVER (OPTIONAL)	5008351
11	MOTOR MOUNT	5001776			
12	BOLT 1/4-20X5/8" SS HHCS (4X)	0900601			
13	DRAINPAN STD BLACK W/GRID	5010660			
14	GRID STD	5010017			
15	RETAINING PIN (2X)	4140023			
16	SPLASH PANEL STAINLESS STEEL	5007823			
17	CAP MERCH SUPPORT	5010952			
	CAP MERCH SUPPORT W/ LEFT WATER	5011432			
	CAP MERCH SUPPORT W/ RIGHT WATER	5011433			
18	CAP MERCH SUPPORT W/ LEFT & RIGHT WATER	5011958			
19	SCREW 8-32X1/2 ZNC PH RD F (4X)	5000973			
	MERCHANDISER (BLACK) - 200	5010586			
20	MERCHANDISER (BLACK) - 250	5008396			
	MEDALLION ICE - 200	5012002			
	MEDALLION QUENCH - 200	5007045			
	MEDALLION ICE - 250	5012003			
	MEDALLION QUENCH - 250	5007051			
21	MERCHANDISER TOP (BLACK)	NOT USED			
22	KEY SWITCH	5000220			
23	TIMER AGITATION 115V NON-ADJUSTABLE	5008626			

FOR CUSTOMIZED OPTIONS, SUCH AS GRAPHICS,  
 PLEASE CONTACT THE LOCAL SALES REPRESENTATIVE

**MII-302**



## MII-302 PARTS LIST

INDEX NUMBER	PARTS DESCRIPTION	PART NUMBER	INDEX NUMBER	PARTS DESCRIPTION	PART NUMBER
1	MUSHROOM BUSHING (2X)	0101702	A	WIDE ROCKING CHUTE ASSEMBLY	5003622
2	U-BAR AGITATOR (2X)	5009529	A1	DOOR LOCK	5002509
3	U-BAR AGITATOR PIN (2X)	5010452	A2	DOOR	5002508
4	PADDLE WHEEL (2X)	2601415	A3	MICROSWITCH	1000703
5	PADDLE WHEEL AREA (2X)	5001051	A4	DOOR MOUNT LEFT	5002507
6	SCREW 8-32X1/2" KNURL UNSLT (4X PER)	5000711	A5	WIDE ROCKING CHUTE	5002506
7	BIN LINER (LEFT)	4220005	A6	BRACKET	5003963
7	BIN LINER (RIGHT)	5010624	A7	SCREW 8-32X1/2" ZNC PH RD F (4X)	5000973
8	DRAIN FITTING 3/4" (2X)	1200121	A8	DOOR MOUNT RIGHT	5002657
9	DRAIN ELBOW 3/4" FEMALE (2X)	1200117	--	LEVER (OPTIONAL)	5002510
10	MANIFOLD # 1,5,6,7,8	5028202			
11	MANIFOLD #2,3,4,10,11	5028203			
12	MANIFOLD #9,12	5028204			
13	MOTOR AY-62 (2X)	5000868			
14	MOTOR MOUNT (2X)	5001776			
15	BOLT 1/4-20X5/8" SS HHCS (4X PER)	0900601			
16	SPLASH PANEL	5011833			
17	VALVES	SEE BOM			
18	SCREW 10-32X1/4 RHMS (4X PER)	0900925			
19	SCREW 8-32X1/2 ZNC PH RD	5000973			
20	VALVE MOUNT CAP 12VALVE	5014099			
21	MERCHANDISER SS W/LID TRAYS	5028235			
22	KEY SWITCH	5000220			
23	RETAINING PIN	4140023			
24	TIMER AGITATION 115V NON-ADJUSTABLE	5008626			





### **Maniowoc Beverage Equipment**

2100 Future Drive Sellersburg, IN 47172-1868  
Tel: 812.246.7000, 800.367.4233 • Fax: 812.246.9922  
[www.maniowocbeverage.com](http://www.maniowocbeverage.com)

In accordance with our policy of continuous product development and improvement, this information is subject to change at any time without notice.

Revision February 23, 2004