



Multiplex[®]

MII SERIES

MII-250 Beverage/Ice Dispenser
with Flex Manifold & Front Serviceable Motor

INSTALLATION & SERVICE GUIDE



ISO 9001:2000
Quality System Certified



Manitowoc Beverage Equipment

2100 Future Drive • Sellersburg, IN 47172-1868
Tel: 812.246.7000, 800.367.4233 • Fax: 812.246.9922
www.manitowocbeverage.com

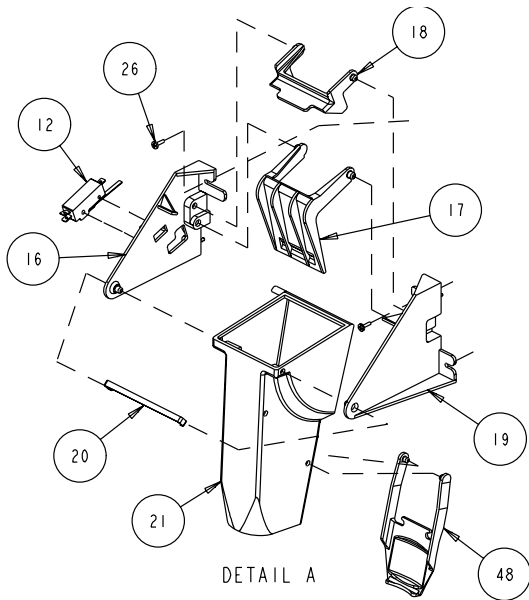
In accordance with our policy of continuous product development and improvement, this information is subject to change at any time without notice.

February 02, 2008 REV4

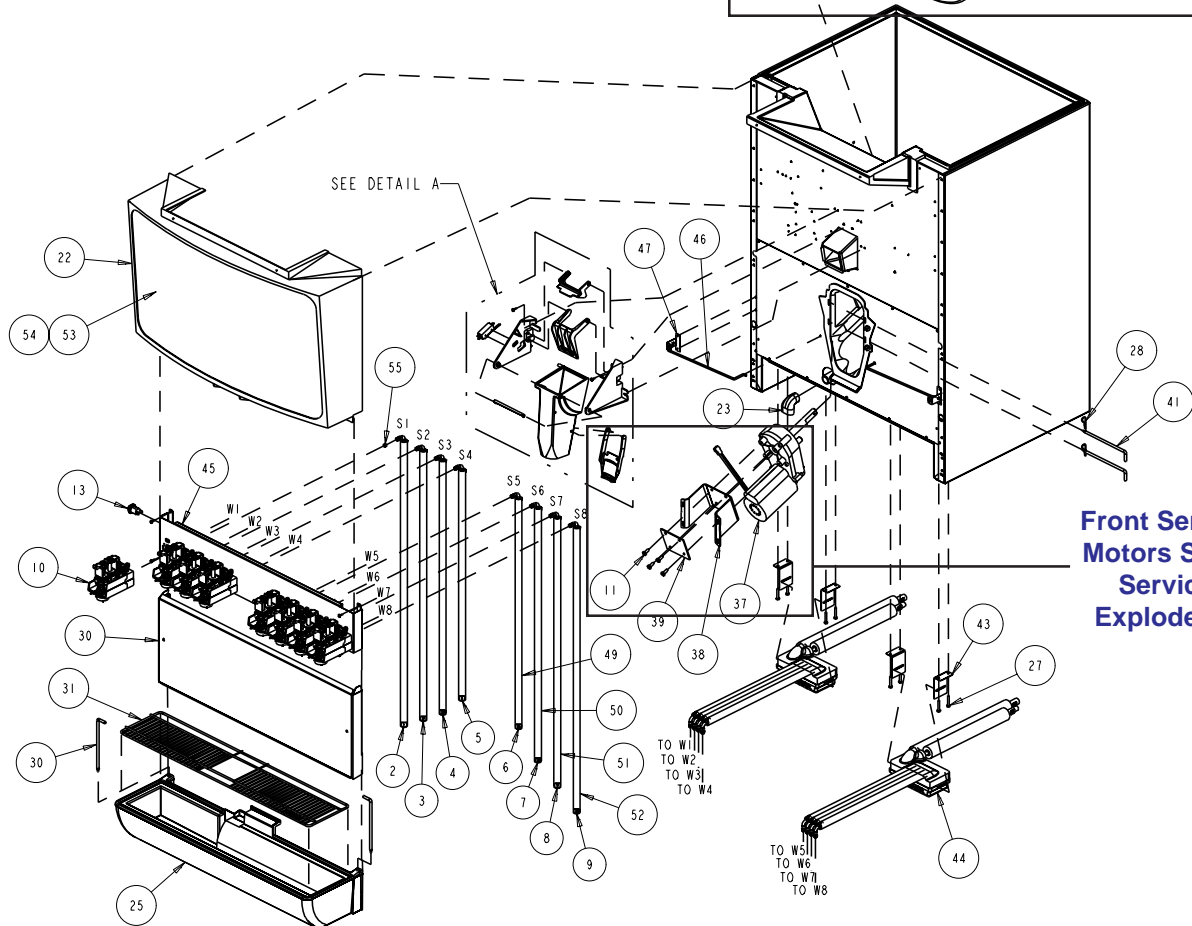
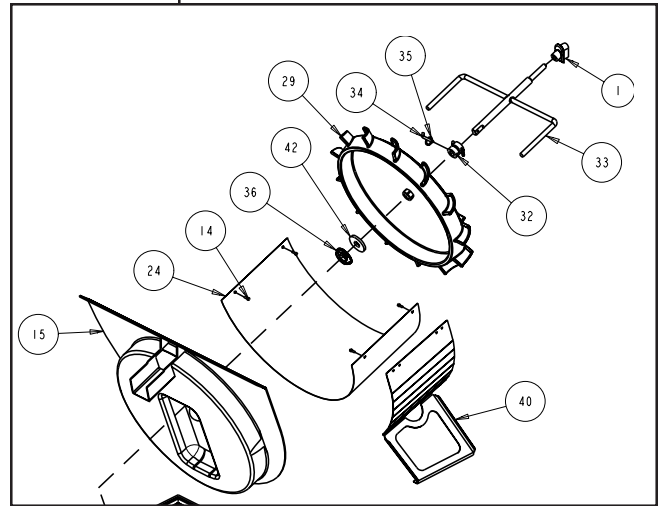


EXPLODED VIEWS, PARTS & DIAGRAMS

MII-250 EXPLODED VIEW WITH 8 VALVE FLEX MANIFOLD



Front Serviceable Motors
See Front Serviceable
Exploded View



Front Serviceable
Motors See Front
Serviceable
Exploded View

EXPLODED VIEWS, PARTS & DIAGRAMS

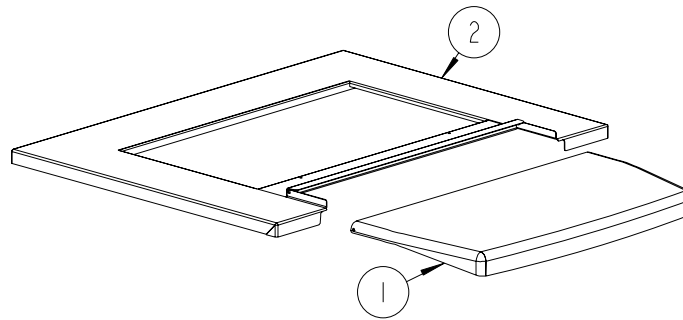
MII-250 PARTS LIST

No.	Part Number	Description	Qty.
1	0101702	BSHG MUSHROOM INJ MLD	1
2	00200196	LABEL #1 TUBE ID	1
3	00200197	LABEL #2 TUBE ID	1
4	00200198	LABEL #3 TUBE ID	1
5	00200199	LABEL #4 TUBE ID	1
6	00200200	LABEL #5 TUBE ID	1
7	00200201	LABEL #6 TUBE ID	1
8	00200202	LABEL #7 TUBE ID	1
9	00200203	LABEL #8 TUBE ID	1
10	00557500	VLV DOLE FFV 3.00Z/SEC	8
11	0900601	BOLT 1/4-20X5/8" SS HHCS	4
12	1000703	MICROSWITCH	1
13	5000220	KEYSWITCH	1
14	5000711	SCR 8-32 X 1/2" KNURL UNSLOT	4
15	5001052_	PADDLE WH 9.75 AREA	1
16	5002507	MOUNT ROCKING CHUTE DOOR LEFT	1
17	5002508	DOOR ROCKING CHUTE	1
18	5002509	LOCK ROCKING CHUTE DOOR	1
19	5002657	MOUNT ROCKING CHUTE DOOR RIGHT	1
20	5003963	BRACKET ROCKING CHUTE OUTER	1
21	5004850	CHUTE RC NARROW	1
22	5008418_	MERCH RC BLK	1
23	5010337	ELBOW 90 DEGREE RUBBER	1
24	5010962_	LINER BIN	1
25	5011238	DRAINPAN INJ MLD	1
26	5011940	SCREW 8-32 X 1/2	6
27	5011953	SCR 10-24X1-1/4 SELF TAP	8
28	5012374	CLIP HITCH PIN	2
29	5012544	PADDLE WH PLAS DBL D	1
30	5028107	PANEL SPLASH DEEP	1
31	5028201	GRID DRAINPAN	1
32	5028475	COUPLING DBL D	1
33	5028476	AGIT	1
34	5028693	PIN 1/4" X 45 DEG RETAINING	2
35	5028715	RING SS SPLIT	2
36	5029846	BSHG PADDLE WHEEL AREA	1
37	5030517	MOTOR 115V DBL D SHAFT	1
38	5030613	BRKT MOTOR MNT 12GA	1
39	5030654	MNT MOTOR PLATE	1
40	5030704	SUPPORT BIN LINER	1
41	5030743	PIN RETAINING	4
42	5030785	SPACER	1
43	5030983	BRKT FLEX MANIFOLD	4
44	5031038	MANIFOLD 4 VLV FLEX	2
45	5031092	CAP VLV MNT W/SUPPORT	1
46	5031138	ROD SUP	2
47	5031139	CLIP PANEL SPLASH DEEP	2
48	5031147	SANITARY LEVER NARROW ROCKING CHUTE PLASTIC	1
49	5031164	TUBING SYRUP 29"	2
50	5031165	TUBING SYRUP 32"	2
51	5031166	TUBING SYRUP 34"	2
52	5031167	TUBING SYRUP 36"	2
53	5013186	MEDALLION SWEET MCTREATS	1
54	5011648	MEDALLION SS	1
55	5009080	010 O-RING .239 ID X .070W	16

EXPLODED VIEWS, PARTS & DIAGRAMS

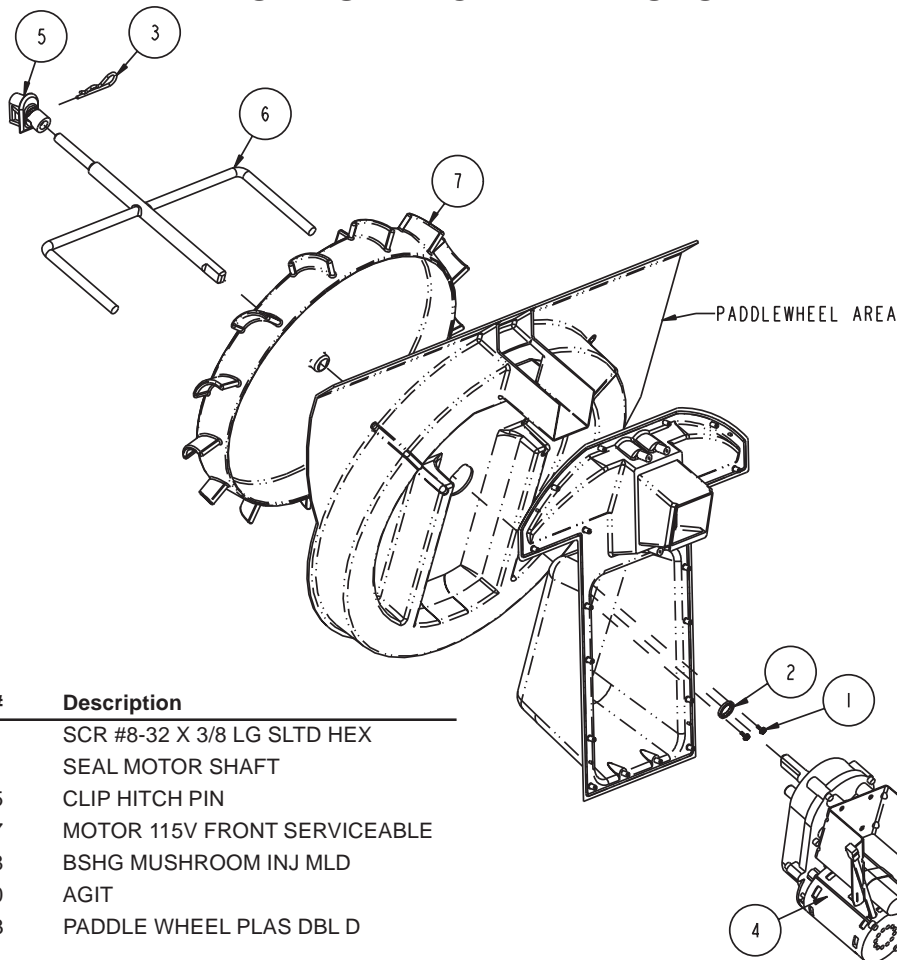
STRIP LID ASSEMBLY (5030332)

Optional bin adaptor for MII 200/250 for Manitowoc IB Series or Scotsman Eclipse ice makers.



No.	Part Number	Description	Qty.
1	5030309	LID MAN FILL SS	1
2	5030456	LID STRIP SL14 WELD	1

FRONT SERVICEABLE MOTOR



Item	Part #	Description
1	SEE #2	SCR #8-32 X 3/8 LG SLTD HEX
2	2020001771	SEAL MOTOR SHAFT
3	3020001415	CLIP HITCH PIN
4	4020001417	MOTOR 115V FRONT SERVICEABLE
5	5020001418	BSHG MUSHROOM INJ MLD
6	6020001420	AGIT
7	7020001423	PADDLE WHEEL PLAS DBL D