



S Series Ice Dispenser Parts List for Models

S-150

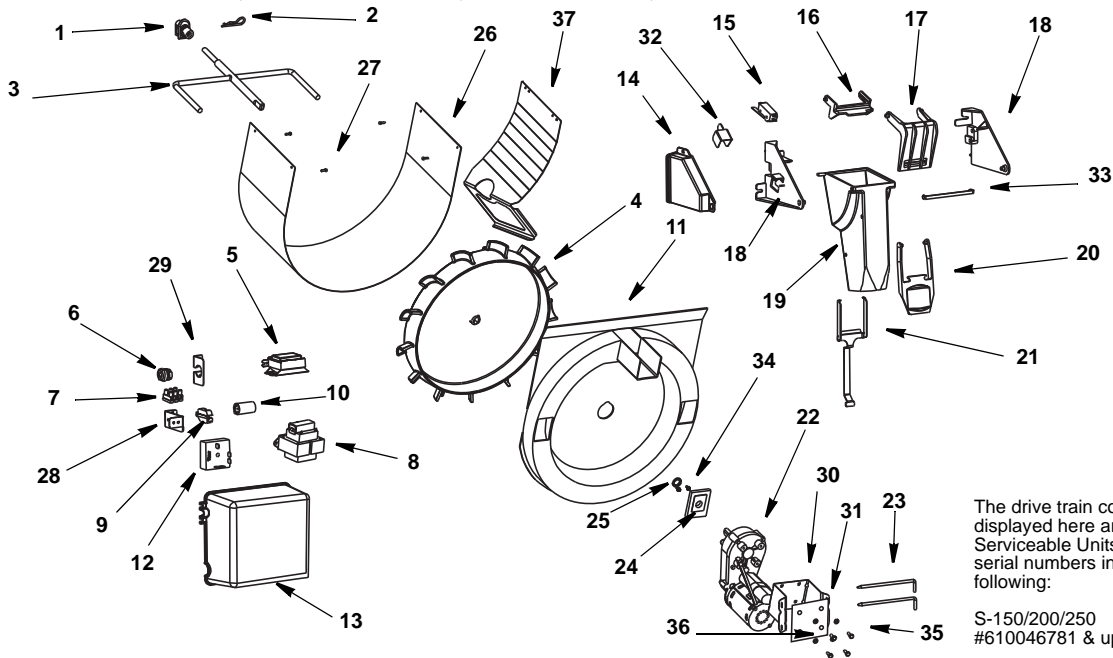
S-200 Marine

S-200

S-250 Marine

S-250

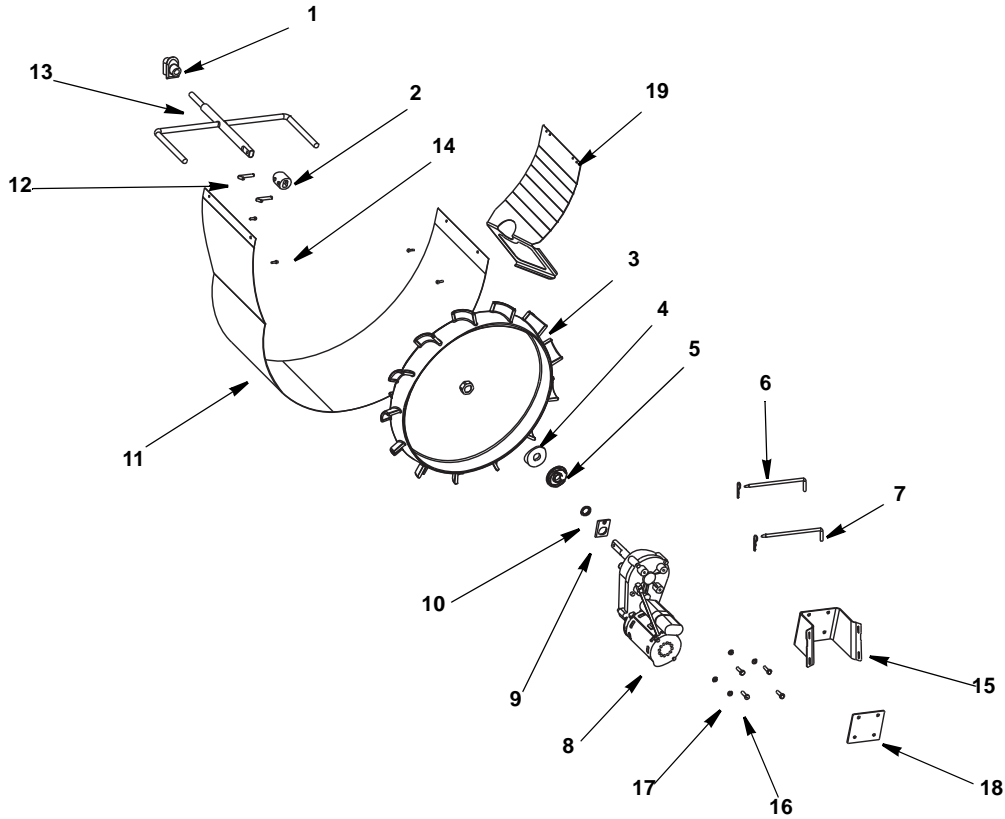
S-150/200/250 BIN, DRIVE TRAIN, ICE CHUTE, & ELECTRICAL COMPONENTS



DESCRIPTION

DESCRIPTION	PART NO.
1 Mushroom Bushing Injection Molded	020001418
2 Clip Hitch Pin	020001415
3 Agitator	020001568
4 Paddle Wheel Plastic Dbl D	020001423
5 Ballast	
a. 115V/60Hz	5008644
b. 220V/50Hz	5000348
c. 220V/60Hz	5000349
d. 240V/50Hz	5000350
e. 240V/60Hz	5000351
6 Cord Strain Relief	
a. Standard	1200301
b. European	5000836
7 Terminal Block - European Only	5000837
8 Transformer - 240V with Breaker	5007111
9 Starter Base	020002168
10 Starter Lev FS2	1001005
11 Paddle Wheel Area	
a. S-150	5031701
b. S-200/250	5027733
12 Non-adjustable Agitation Timer - 115V/230V	020000222
13 Electrical Box Cover	5028992
14 Microswitch Guard	5029622
15 Microswitch	1000703
16 Lock Rocking Chute Door	5002509
17 Door Rocking Chute	5002508
18 Kit RC Brackets 5V-A (Includes The Two New Brackets, Cover, Screw)	020002673
19 Chute RC Narrow	5004850
20 Lever Rocking Chute Narrow	5004851
21 Sanitary Lever	5008399
22 Front Serviceable Motor	
a. 115V	020003596
b. 220V/240V Double D Shaft	020001517
23 Retaining Pin	4140023
24 Gasket (9.75) Retainer Seal	5000725
25 Seal Motor Shaft	5012913
26 Bin Liner	
a. S-150	5031415
b. S-200/250	5030905
Miscellaneous - Brackets, Screw, etc.	
27 Screw 8-32 X 1/2" Knurl Un-slotted	5000711
28 Starter Base Bracket	
a. S-150/200/250	5030304
b. S-200/250 Marine Unit	020001974
29 Bracket Strain Relief	
a. S-150/200/250	5028998
b. S-200/250 Marine Unit	020001969
30 Mount Motor	
a. S-150/200	5030951
b. S-250	5030613
31 Mount Motor Plate (S-250 Only)	5030654
32 Bracket Ret Microswitch Splh Gd	5030228
33 Bracket Rocking Chute Outer	5031384
34 Screw #8-32 X 3/8 Lg Sltd Hex	00850430
35 Bolt 1/4-20 x 5/8" Ss Hhcs	0900601
36 Washer Lock 1/4in Ss	0901904
37 Bin Liner Support (S-250 Only)	5030704

S-150/200/250 NON-FRONT SERVICEABLE DRIVE TRAIN



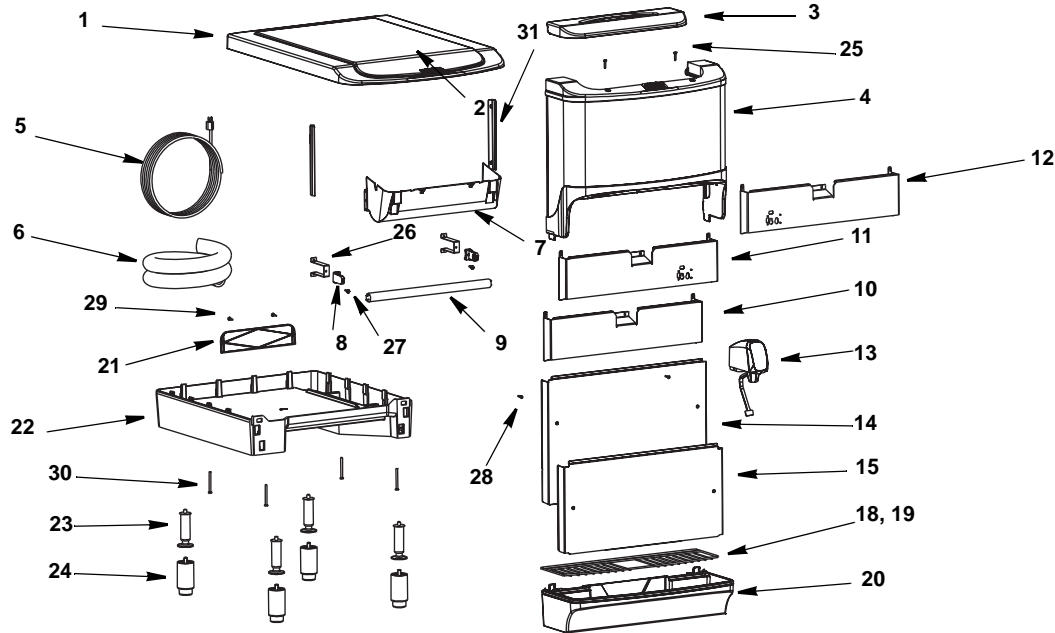
The drive train components displayed here are for Non-Front Serviceable Units. Model & serial numbers include the following:

S-150/200/250
#610046780 & earlier

DESCRIPTION

	PART NO.
1 Bushing Mushroom Injection Molded	0101702
2 Coupling Double D	5028475
3 Paddle Wheel Plastic Dbl D	5012544
4 Spacer	5030785
5 Bushing Paddle Wheel Area	5029846
6 Clip Hitch Pin	5012374
7 Pin Retaining	5030743
8 Motor 115v Dbl D Shaft	020003651
9 Retainer Oil Seal - Kit.	5001819
10 Seal Motor Shaft	5012913
11 Bin Liner	
a. S-150	5031415
b. S-200/250	5030905
12 Pin 1/4" X 90 Deg Retaining.	5028693
13 Agitator.	5028476
Miscellaneous - Brackets, Screw, etc.	
14 Screw 8-32 X 1/2" Knurl Unslotted.	5000711
15 Mount Motor	
a. S-150/200	5030951
b. S-250	5030613
16 Screw 1/4-20 X 7/8" Hex Hd	00850917
17 1/4 Lock Washer	0901904
18 Mount Motor Plate (S-250 Only)	5030654
19 Bin Liner Support (S-250 Only)	5030704

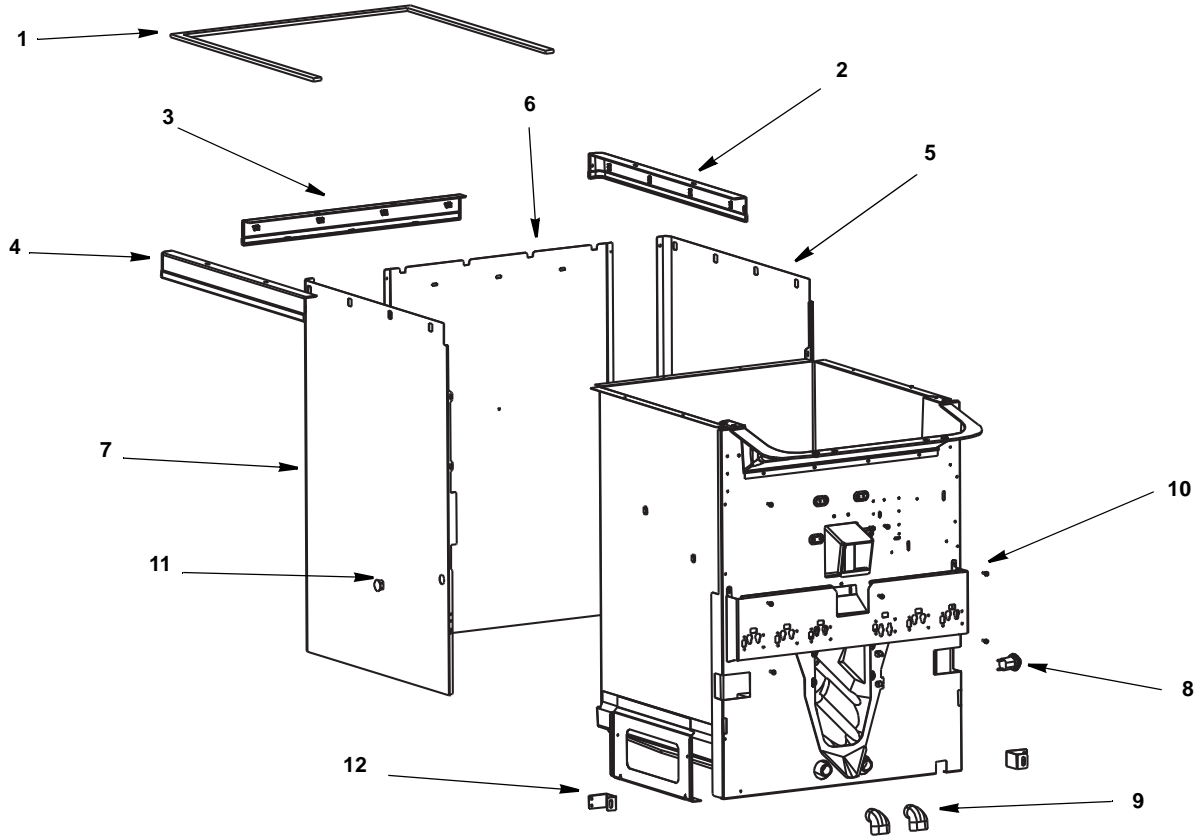
S-150/200/250 MERCHANDISER, CAPS, LID, SPLASH PANELS, & BASE



DESCRIPTION

	DESCRIPTION	PART NO.
1	Lid	
	a. S-150.....	5012177
	b. S-200/250.....	5012179
2	Sticker "danger Tag".....	0301249
3	Manual Fill Ice Lid (Black).....	5012116
4	Merchandiser Complete	
	a. S-150.....	5012117
	b. S-200.....	5012123
	c. S-250.....	5029484
5	Cord Electric (Agit Mtr).....	5008642
6	Drain Kit	
	a. Regular.....	2602528
	b. Extended Splash Panel.....	5031376
7	Manual Fill Area Lower.....	5029732
8	Socket End Light.....	1001001
9	Fluorescent Tube	
	a. S-150 (18").....	1000309
	b. S-200/250 (24").....	5012827
10	Cap Valve Mount	
	a. S-150.....	020000297
	b. S-200/250.....	5030354
11	Cap Valve Mount w/Right Water (Ice Only)	
	a. S-150.....	020000298
	b. S-200/250 with 424 Valves.....	5030812
	c. S-200/250 with 202 Valves.....	020002206
12	Cap Valve Mount w/Left Water (Ice Only)	
	a. S-200/250 with 424 Valves.....	5031080
	b. S-200/250 with 202 Valves.....	020002204
13	Vlv 424ju Mech W/gp Cvr.....	5028930
14	Panel Splash Ext	
	a. S-150.....	5012959
	b. S-200/250.....	5013288
15	Panel Splash	
16	S-150.....	5031700
17	S-200/250.....	5012473
18	Grid	
	a. S-150.....	5012249
	b. S-200/250.....	5012250
19	Reduced Spacing Grid	
	a. S-200.....	020001796
	b. S-250.....	020000156
20	Drainpan	
	a. S-150 (23") w/ Gasket.....	020000156
	b. S-200/250 (30") w/ Gasket.....	020000900
21	Plate Base Rear Cover	
	a. S-150.....	5012154
	b. S-200/250.....	020000408
22	Base	
	a. S-150.....	020000185
	b. S-200/250.....	020000399
23	Leg 3/8 - 16 X 4.....	5013595
24	Leg 2" Dia X 4-6" W/ 3/8-16 Stud.....	020000398
	Miscellaneous - Brackets, Screw, Etc.	
25	Scr 8-32 X 7/8" Slit Knurl Black.....	5007698
26	Bracket Lt Socket	
	a. S-150/200/250.....	7050046
	b. S-200/250 Marine Unit.....	020002150
27	8-32 X 1/2 Flat Head Screw.....	0900504
28	8-32 X 1/2 Flat Head Screw.....	5012944
29	Scr #8x3/4" Ph Tr Hd A Blk.....	5007697
30	12 X 2 1/2 Pan Head Screw.....	5027731
31	Medalion Support Bracket	
	a. S-150/200/250.....	5030890
	b. S-200/250 Marine Unit.....	020002150

S-150/200/250 PANELS & TRIM



DESCRIPTION

	PART NO.
1 Gasket (Rectangular Profile)	
a. S-150	5007756_150
b. S-200/250	5007756
2 Trim Cosmetic Top Right (Black)	5011890
3 Trim Cosmetic Top Back	
a. S-150	5012164
b. S-200/250	5012150
4 Trim Cosmetic Top Left (Black)	5011889
5 Panel Side Right	
a. S-150	020000950
b. S-200/250	020001455
6 Panel Rear	
a. S-150	5012418
b. S-200/250	020000503
7 Panel Side Left	
a. S-150	020000949
b. S-200/250	020001456
8 Key Switch	5000220
9 Elbow 90 Degree Rubber	5010337
Miscellaneous - Brackets, Screw, Etc.	
10 Screw 8-32 X 1/2	5011940
11 Heyco Plug	
a. S-150	1200322
b. S-200/250	1200303
12 Clip Splash Panel	
a. S-150/200/250	5028398
b. S-200/250 Marine Unit	020001967