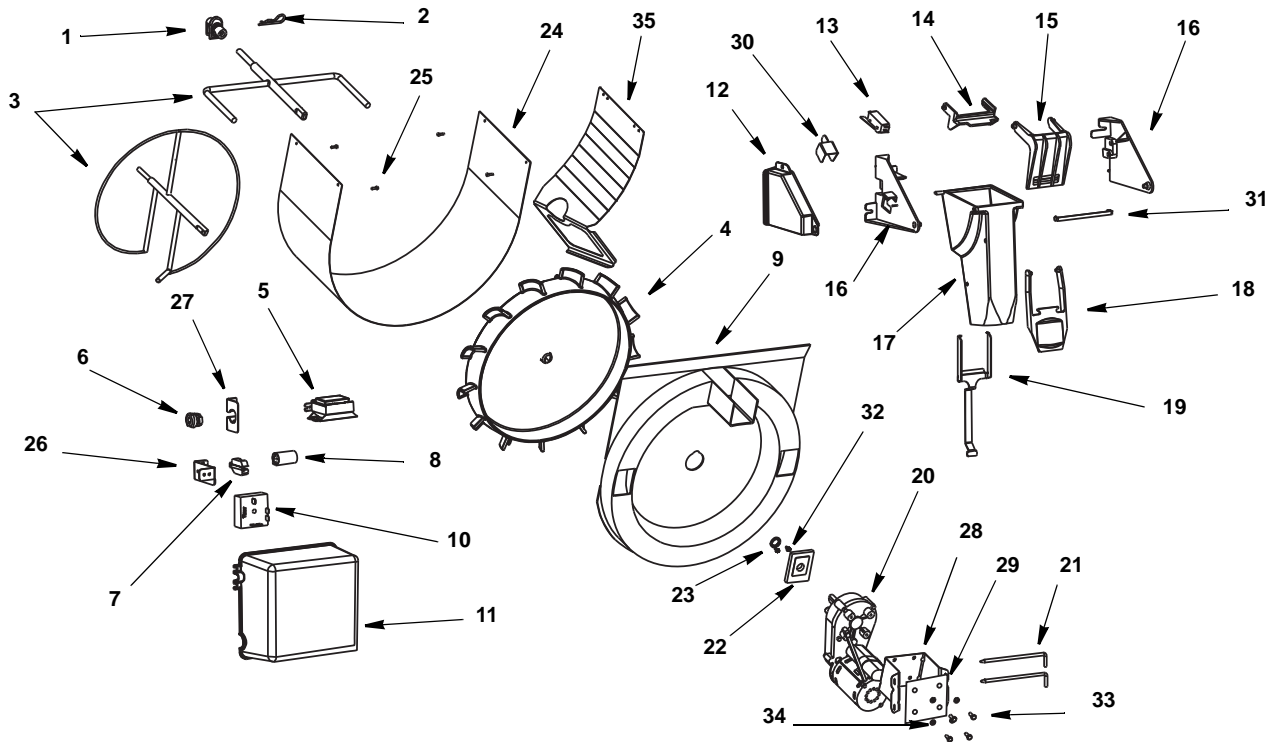




S Series Beverage/Ice Dispenser with Flex Manifolds Parts List for Models

S-250M

S-250M BIN, DRIVE TRAIN, ICE CHUTE, & ELECTRICAL COMPONENTS

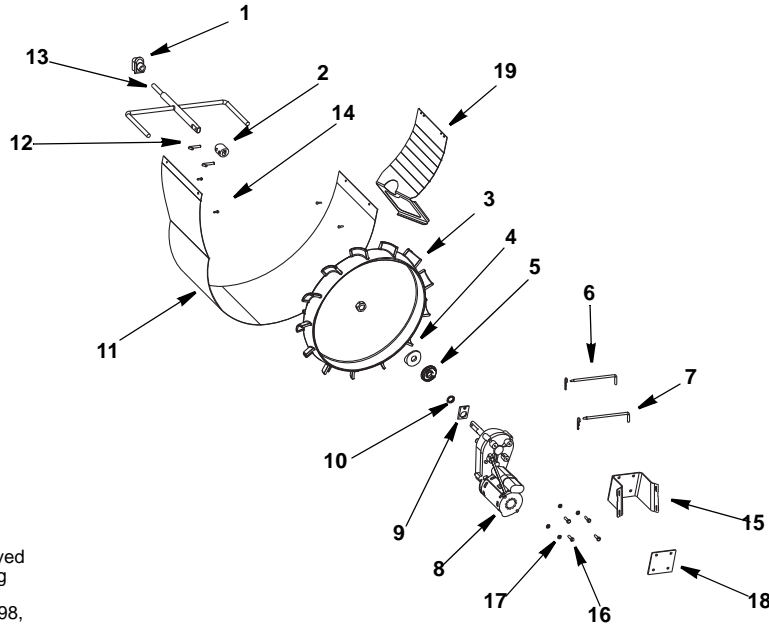


The drive train components displayed here covers all units with serial numbers after 610039498

DESCRIPTION

DESCRIPTION	PART NO.
1 Bushing, Mushroom Injection Mold.	020001418
2 Clip Hitch Pin	020001415
3 Agitator	
a. Agitator Double "D"	020001568
b. Agitator Double "D" Spiral	020001847
4 Paddle With Plastic Double "D"	020001423
5 Ballast 115/60	5008644
6 Plug Heyco Cord Strain Relief	1200301
7 Starter Base	020002168
8 Starter lever FS2.	1001005
9 Paddle Wheel Area.	5027733
10 Agitation Timer 115/230	020000222
11 Box, Electrical Injection Molded	5028992
12 Microswitch Guard	5029622
13 Microswitch.	1000703
14 Rocking Chute Door Lock.	5002509
15 Rocking Chute Door	5002508
16 Kit RC Brackets 5V-A (Includes The Two New Brackets, Cover, Screw)	020002673
17 Rocking Chute, Narrow.	5004850
18 Lever, Narrow Rocking Chute.	5004851
19 Sanitary Lever.	020000409
20 Motor, 115V Front Serviceable	020003596
21 Retaining Pin	4140023
22 Retainer Seal Gasket (9.75)	5000725
23 Motor Shaft Seal.	5012913
24 Bin Liner	5030905
Miscellaneous - Brackets, Screw, etc.	
25 Screw, 8-32 X 1/2" Knurl Unslotted.	5000711
26 Starter Base Bracket.	5030304
27 Strain Relief Bracket.	5028998
28 Motor Mount	5030613
29 Motor Mount Plate	5030654
30 Microswitch Bracket	5030228
31 Rocking Chute Outer Bracket.	5031384
32 Screw, #8-32 X 3/8 Large Slotted Hex	00850430
33 Bolt, 1/4-20x5/8" Stainless Steel.	0900601
34 Lock Washer, 1/4" Stainless Steel.	0901904
35 Bin Liner Support	5030704

S-250M NON-FRONT SERVICEABLE DRIVE TRAIN

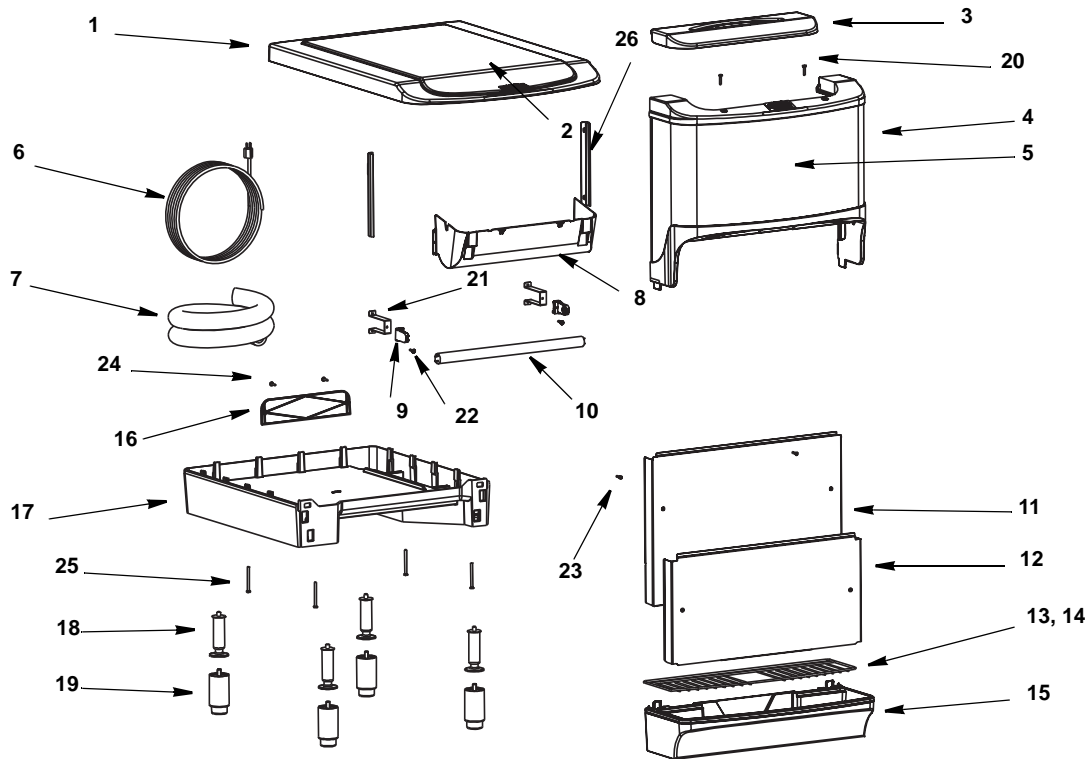


The drive train components displayed here are for units with the following serial numbers: 610029965, 610036116, 610039497, 610039498,

DESCRIPTION

	DESCRIPTION	PART NO.
1	Bushing, Mushroom Injection Mold	0101702
2	Double "D" Coupling.	5028475
3	Paddle With Plastic Double "D"	5012544
4	Spacer	5030785
5	Paddle Wheel Area Bushing	5029846
6	Clip Hitch Pin	5012374
7	Retaining Pin	5030743
8	Motor, 115v Double "D" Shaft.	5030517
9	Kit, Oil Seal Retainer	5001819
10	Motor Shaft Seal	N/A
11	Bin Liner.	5030905
12	Retaining Pin, 1/4" X 90 Deg	5028693
13	Agitator.	5028476
Miscellaneous - Brackets, Screw, etc.		
14	Screw, 8-32 X 1/2" Knurl Unslotted	5000711
15	Motor Mount.	5030613
16	Screw, 1/4-20 X 7/8" Hex	00850917
17	Lock Washer, 1/4" Stainless Steel	0901904
18	Motor Mount Plate	5030654
19	Bin Liner Support	5030704

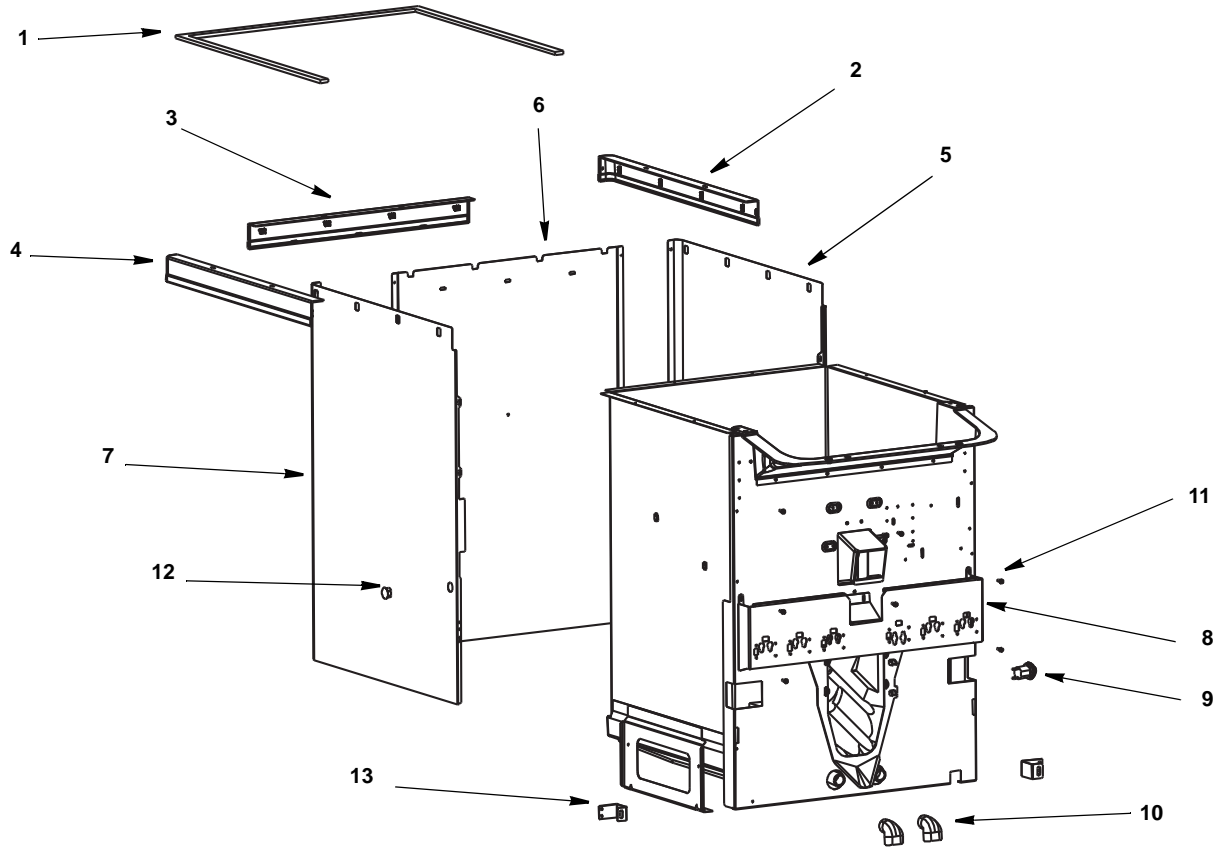
S-250M S-150/200/250 MERCHANDISER, CAPS, LID, SPLASH PANELS, & BASE



DESCRIPTION

	PART NO.
1 Lid.....	5012179
2 Sticker, "Danger" Tag.....	0301249
3 Manual Fill Ice Lid (Black).....	5012116
4 Merchandiser.....	5029484
5 Merchandiser Medallions	
a. Quench.....	5030860
b. Clear.....	020000369
c. McDonald's.....	5030986
6 Electric Cord (Agitator Motor).....	5008642
7 Drain Kit	
a. Regular.....	2602528
b. Extended Splash Panel.....	020003421
8 Lower Manual Fill Area.....	5029732
9 Socket, Light End.....	1001001
10 Fluorescent Light Tube (24").....	5012827
11 Extended Splash Panel.....	020003414
12 Splash Panel.....	5012473
13 Grid.....	5012250
14 Reduced Spacing Grid.....	020000156
15 Drain Pan, (30") w/ Gasket.....	020000900
16 Rear Cover Base Plate.....	020000408
17 Base.....	020000399
18 Leg, 3/8 - 16 X 4.....	5013595
19 Leg, 2"Dia X 4-6" W/ 3/8-16 Stud.....	020000398
Miscellaneous - Brackets, Screw, Etc.	
20 Screw, 8-32 X 7/8" Slotted Knurl (Black).....	5007698
21 Light Socket Bracket.....	7050046
22 Screw, 8-32 X 1/2 Flat Head.....	0900504
23 Screw, 8-32 X 1/2 Flat Head.....	5012944
24 Screw, #8x3/4" PH Tr Hd A Blk.....	5007697
25 Screw, 12 X 2 1/2 Pan Head.....	5027731
26 Medallion Support Bracket.....	5030890

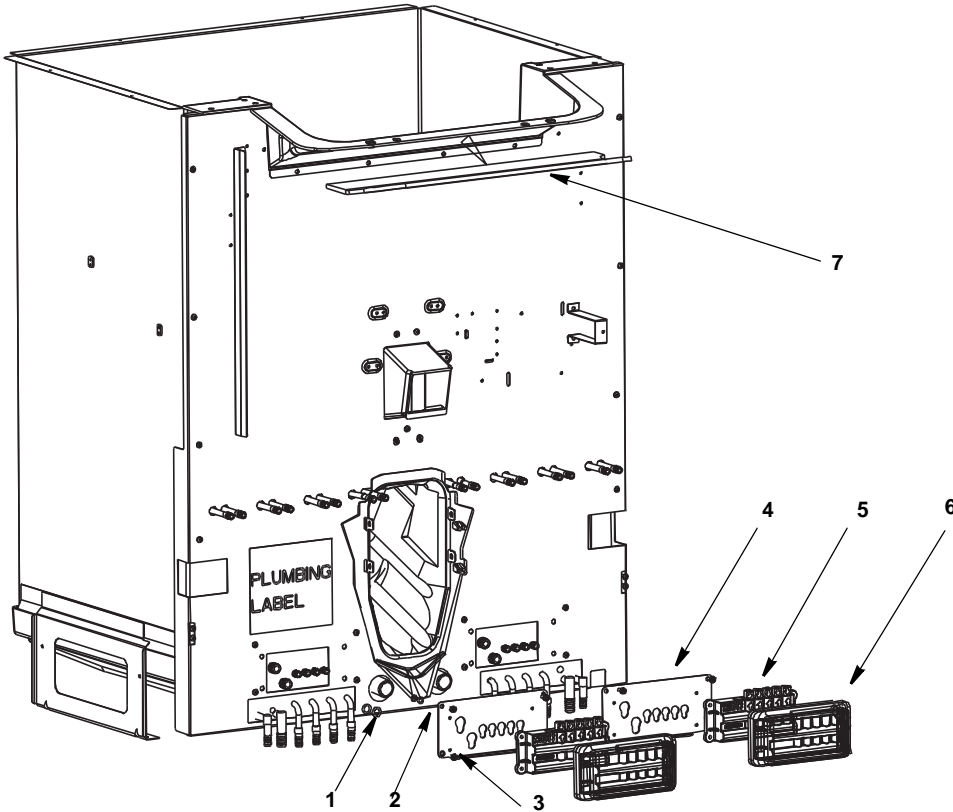
S-250M PANELS & TRIM



DESCRIPTION

	PART NO.
1 Gasket (Rectangular Profile)	5007756
2 Cosmetic Trim, Top Right (Black)	5011890
3 Cosmetic Trim, Top Back	5012150
4 Cosmetic Trim, Top Left (Black)	5011889
5 Panel Side, Right	5027744
6 Panel Side, Rear	5027742
7 Panel Side, Left	5027743
8 Valve Mount Caps	
a. 8 Valve	020000419
b. 10 Valve	5029042
9 Key Switch	5000220
10 Ice Bin Drain Elbow (90 Degree Rubber)	5010337
Miscellaneous - Brackets, Screw, Etc.	
11 Screw, 8-32 X 1/2	5011940
12 Heyco Plug, 7/8"	1200303
13 Splash Panel Clip	5028398

S-250M FLEX MANIFOLDS



DESCRIPTION

	PART NO.
1 O-ring 110, .364 ID x .103 W	5009763
2 O-ring 010, .239 ID x .070 W	5009080
3 T410 Tri Lobe Stainless Steel HH, 8-32 x 5/8	020000992
4 Manifold Mounting Plate	020001663
5 Flex Manifold	
a. 4 Port (8 Valve Units)	020000986
b. 5 Port (10 Valve Units)	020000987
6 Manifold Insulation	5010332
7 Manual Fill Area Insulation	020001062
8 Supply Line Kit	020003420