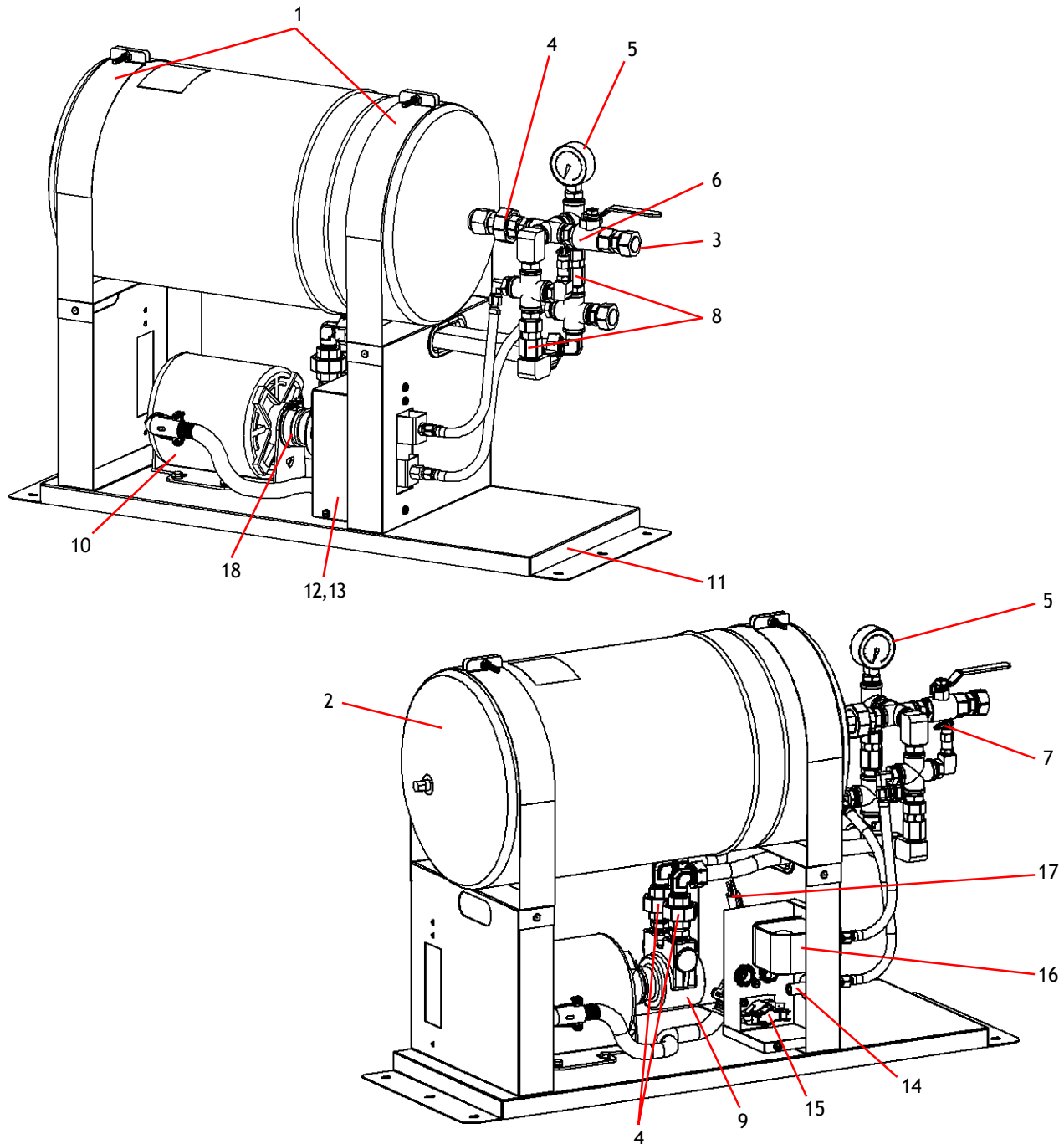


Multiplex Beverage Equipment Parts List for

Model WBK8 and WBK8X Water Booster Pump

P.N. 00212136 and P.N. 00212146



Multiplex Company, Inc.

250 Old Ballwin Road w St. Louis, Missouri 63021-4800
Tel: 636.256.7777 • Fax: 636.527.4313

e-mail: info@multiplex-beverage.com • www.multiplex-beverage.com

In accordance with our policy of continuous product development and improvement, this information is subject to change at any time without notice.

Model WBK8 and WBK8X Water Booster Pump Parts List (continued)

Item	Part No.	Description
1	00212128	Strap, Accumulator Tank Mounting Booster Module
2	00204968	Tank, Pressurized Water Accumulator, 7.6 gallons (when replacing the accumulator tank for units built prior to December 2000, order P.N. 00219395)
3	00205754	Nut, Compression, 3/4" OD
4	00700721	Union, 1/2" FPT, Brass
5	00683072	Gauge, 0-100 psi, 1/4" NPT, Bottom Mount, 2" Diameter
6	00209558	Valve, Ball 1/2" FPT x 1/2" FPT, Brass
7	00701336	Valve, Toggle Relief, 130 lb, 1/4" MPT, Brass, Blue
8	00204817	Valve, Check, 1/2" FPT x 1/2" FPT, Brass
9	00702928	Pump, 240 GPH, with 180 Relief, Brass
10	00213596	Motor, Carbonator, 1/3 hp, 110-120/200-240 VAC, 50/60 Hz
11	00212109	Base, WBK8 Booster Pump
12	00212108	Cover, WBK8 Electrical Box
13	00212107	Box, WBK8 Electrical
14	00211772	Switch, Pressure, set at 4 psi, 1/4" MPT x 1/4" TAB, Single Pole Single Throw
15	00212129	Relay, Thermal Time Delay, Single Pole Single Throw NC, 10 Amp, 120 VAC, Heater
	00212139	Relay, Thermal Time Delay, Single Pole Single Throw NC, 25 Amp, 240 VAC, Heater
16	00217991	Switch, Pressure, Cut-In 65, Cut-Out 85
17	00212162	Cord Assembly, 18-3 STO, 96" Plug x #10 Ring x 1/4" Flags
	00212968	Cord Assembly, 18-3 SJT-EXP, 96" Plug x 1/4" QC x #10 Ring
18	00705000	Clamp Assembly, Coupling