

Multiplex Beverage Equipment Installation Instructions for Model WBK10 and WBK10X Water Booster Pump

P.N. 00215639 (120 VAC, 60 Hz) and
P.N. 00216382 (220 VAC, 50 Hz)

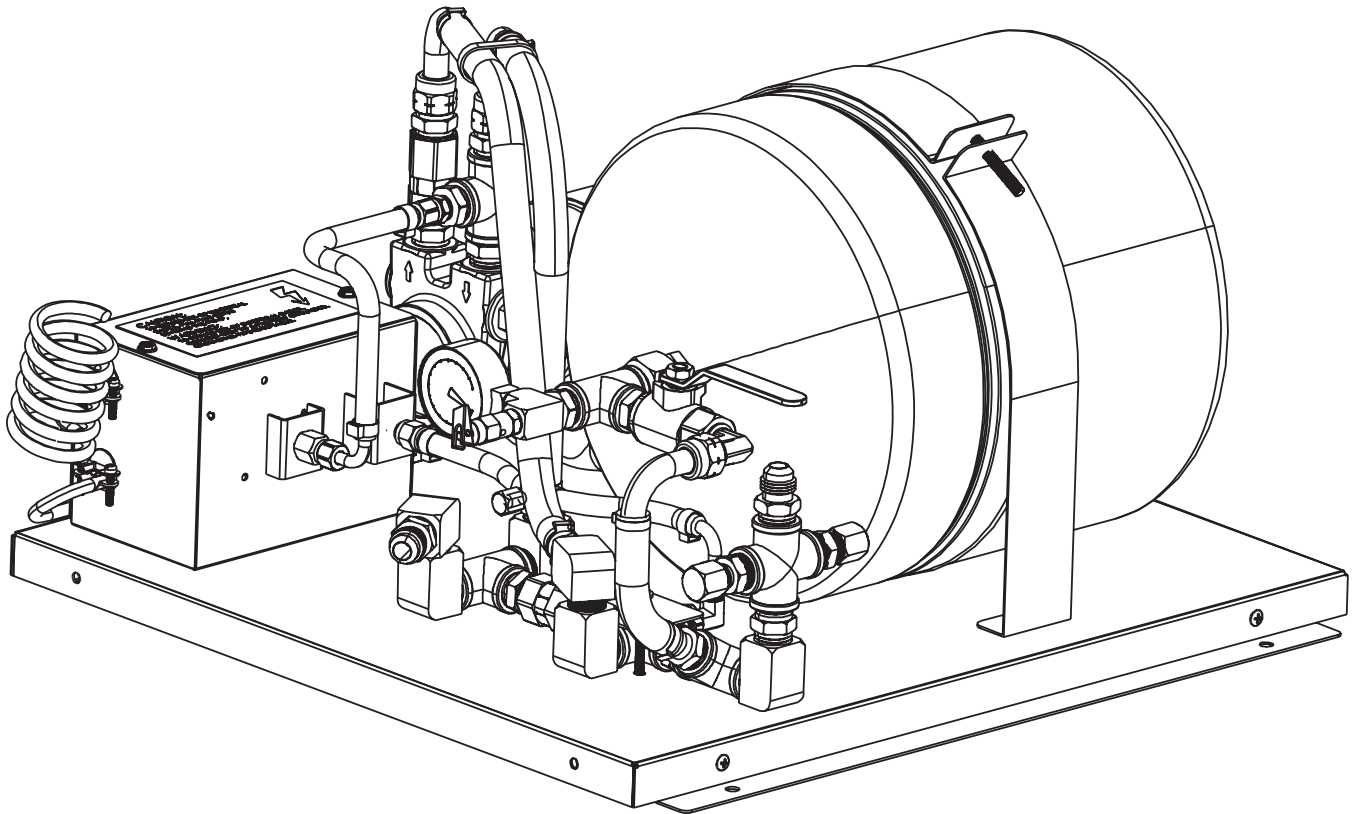


Table of Contents

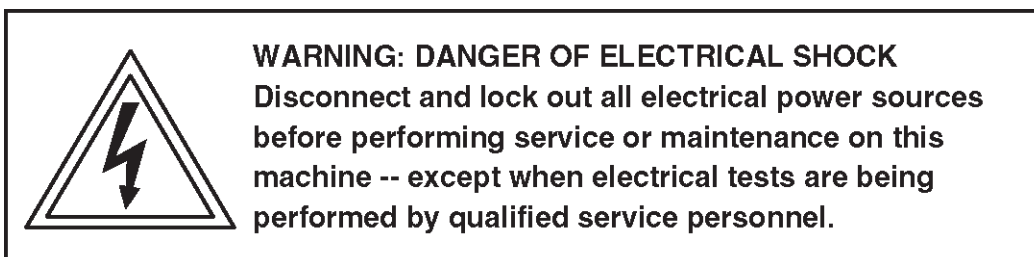
Caution: To Avoid Serious Injury	2	Installing the Multiplex Model WBK10/WBK10X Water Booster Pump	4
Introduction	3	How to install the water booster pump to wall	4
Preparing the power cord (international units only [P.N. 00216382])	3	How to install the water booster pump to a support stand	5
Grounding instructions	3	Before installing the water booster pump	6
		After installing the water booster pump	6

Caution: To Avoid Serious Injury

Important: Read the following warnings before beginning an installation. Failure to do so may result in possible death or serious injury.

- DO Adhere to all National and Local Plumbing and Electrical Safety Codes.
- DO Turn “off” incoming electrical service switches when servicing, installing, or repairing equipment.
- DO Check that all flare fittings on the carbonation tank(s) are tight. This check should be performed with a wrench to ensure a quality seal.
- DO Inspect pressure on Regulators before starting up equipment.
- DO Protect eyes when working around refrigerants.
- DO Use caution when handling metal surface edges of all equipment.
- DO Handle CO₂ cylinders and gauges with care. Secure cylinders properly against abrasion.
- DO Store CO₂ cylinder(s) in well ventilated areas.
- DO NOT Throw or drop a CO₂ cylinder. Secure the cylinder(s) in an upright position with a chain.
- DO NOT Connect the CO₂ cylinder(s) directly to the product container. Doing so will result in an explosion causing possible death or injury. Best to connect the CO₂ cylinder(s) to a regulator(s).
- DO NOT Store CO₂ cylinders in temperature above 125°F (51.7°C) near furnaces, radiator or sources of heat.
- DO NOT Release CO₂ gas from old cylinder.
- DO NOT Touch Refrigeration lines inside units, some may exceed temperatures of 200°F (93.3°C).

Notice: Water pipe connections and fixtures directly connected to a potable water supply shall be sized, installed and maintained in accordance with Federal, State, and Local codes.



Introduction

The following instructions cover the installation of a 120 VAC, 60 Hz (domestic) and 220 VAC, 50 Hz (international). An appropriate 3-Wire power receptacle must be located within 6 ft (1.8 m) of the Booster Kits.

Note: Do not plug in Booster Pump Module at this time.

Preparing the power cord (international units only [P.N. 00216382])

1. Locate a 3 terminal plug. This plug (not furnished with kit) must have a ground-wire-connecting terminal.
2. Locate the loose end of the power cord attached to the kit. All three (3) wires are stripped to 1/2" length from the end.
3. Connect all three (3) wires to the plug using the 1/2" stripped ends or any other terminal requirements. Different plugs and terminals may require different stripped lengths.
4. Inspect the cord and plug connection for any loose or bare wires.

Grounding instructions

The Multiplex Model WBK10/WBK10X Water Booster Pump should be grounded. In the event of an electrical short circuit, grounding reduces the risk of electric shock by providing an escape wire for the electrical current. This product is equipped with a cord having a grounding wire with an appropriate grounding plug. The plug must be plugged into an outlet that is properly installed and grounded in accordance with all local codes and ordinances.

WARNING! RISK OF ELECTRIC SHOCK: *This kit is supplied with a ground conductor and grounding-type attachment plug (domestic only). To reduce the risk of electric shock, be certain that it is connected only to a properly grounded, grounding-type receptacle.*

Note: For 220 VAC, 50 Hz International Units, a ground male plug must be supplied at the installation of the booster pump.

Check with a qualified electrician or serviceman if the grounding instructions are not completely understood, or if in doubt as to whether the product is properly grounded. Do not modify the plug provided; if it will not fit the outlet, have the proper outlet installed by a qualified electrician.

This product is for use with a 120 VAC, 60 Hz (Domestic) or 220 VAC, 50 Hz (International). CSA requires that a switch be provided to disconnect both outlets from the power supply (refer to figure 1).

Do not use an extension cord or an adaptor plug with this equipment.

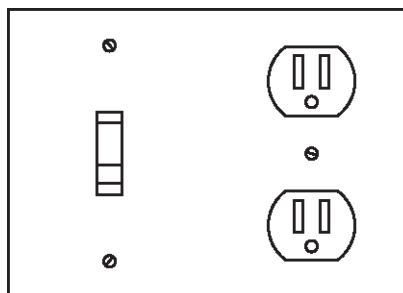


Figure 1

Installing the Multiplex Model WBK10/WBK10X Water Booster Pump

How to install the water booster pump to wall

1. Locate the six (6) $\frac{5}{16}$ " lag screws and the mounting bracket.
2. Mount the J-channel to the wall using three (3) screws (provided).

Note: Screws must be located in a stud. If mounting to concrete wall, proper hardware (not provided) must be used.

3. Mount the booster Panel on the wall by raising the top of the panel over the J-channel. Place the panel against wall and slide the panel down until it catches on the J-channel. Mount the bottom of the panel to the wall using the remaining two (2) screws (refer to figure 2).

4. Attach a $\frac{1}{2}$ " ID water inlet line to the inlet fitting labeled #27 using the Barb stem, nut, and clamp provided. Then attach another $\frac{1}{2}$ " ID line to the Water Outlet labeled #28 using the remaining Barb stem, nut, and clamp (refer to figure 2).
5. Turn "on" the main water supply to the booster assembly.

Note: Outlet pressure of this assembly is not regulated. A regulator may be required for certain applications.

6. Plug the power cord into the wall receptacle. The pump will not begin to run until low water pressure circuit times out. When the pump cycles "off", the gauge should read 85 psi (59 bar). Bleed off water flow until pressure drops to approximately 65 psi (4.5 bar). The pump motor should begin to run, then turn "off" when pressure reaches 85 psi (5.9 bar). If not, there are instructions on the inside of the pressure switch cover for pressure switch adjustment.

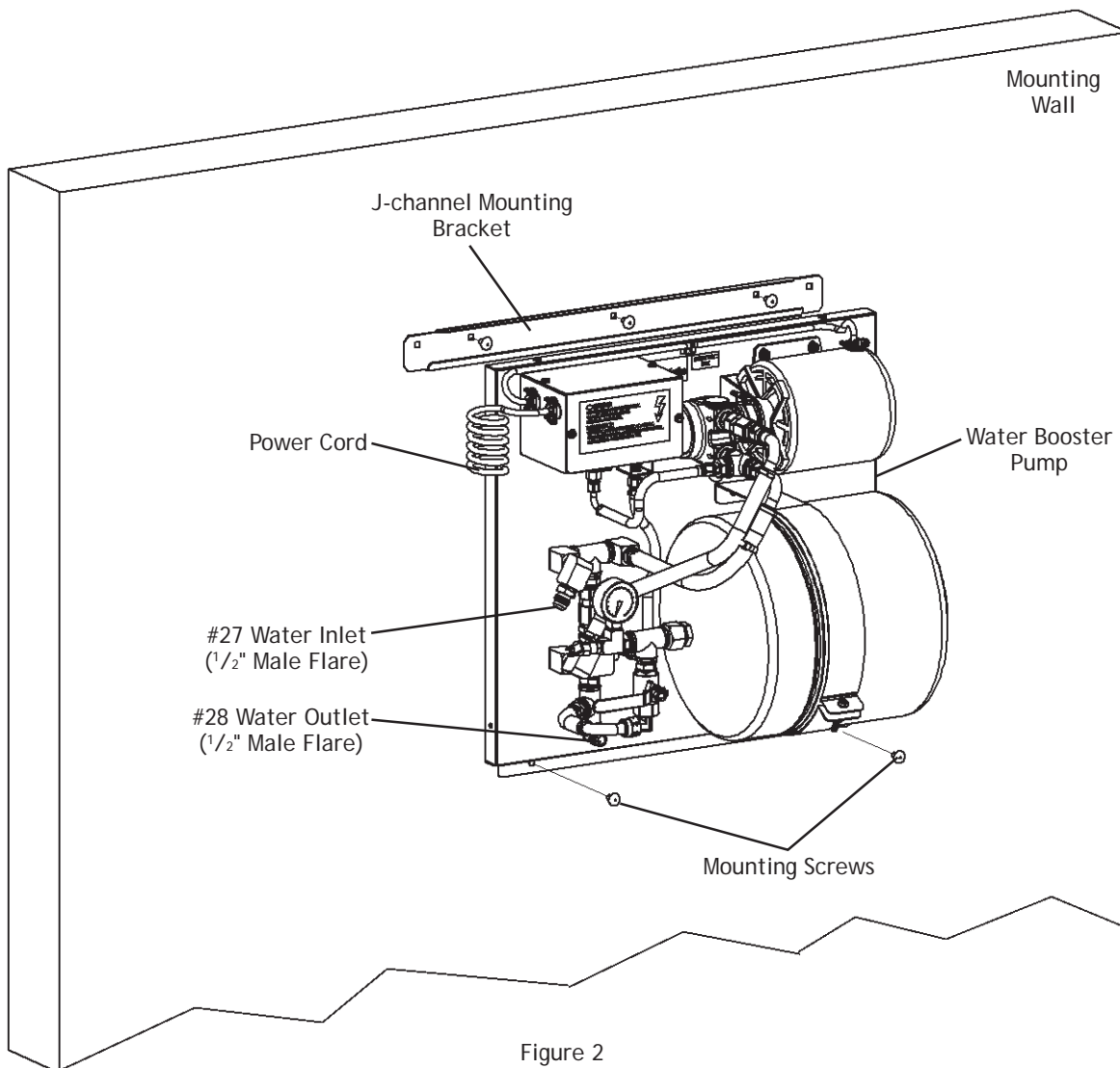


Figure 2

Installing the Multiplex Model WBK10/WBK10X Water Booster Pump (continued)

How to install the water booster pump to a support stand

Note: This Water Booster Pump can either be mounted to the side or on the inside of the support stand. The method of mounting is the same for either application. The following instructions cover the side mounting. This stand is factory assembled to mount the Water Booster Pump on the left-hand side of the support stand. However, the Water Booster can be mounted on the right-hand side by moving the channel to that side.

Caution: If the system has a plate Style Water Filter, it **MUST** be mounted to the **right-hand** side.

1. Locate the mounting hardware supplied with the support stand: three (3) 1/4"-20 x 1/2" Carriage Bolts, two (2) 1/4"-20 x 1/2" Hex screws (not supplied), five (5) 1/4"-20 locking nuts, and the J-Channel Mounting Plate, (supplied with the Water Booster). The J-channel Mounting Plate will later be mounted to the Water Booster Pump.
2. With the hook end of the J-channel towards the floor, mount the channel to the top portion on the side of the stand.
3. Fasten the channel with three (3) 1/4"-20 x 1/2" Carriage bolts and 1/4"-20 locking nuts. Tighten all bolts completely.
4. Lifting the back edge of the panel above the channel and hooking it on the lower edge of the J-channel, place the Water Booster Pump panel on the J-channel.
5. Attach the lower edge of the Water Booster Pump panel to the channel on the support stand with two (2) 1/4"-20 x 1/2" Hex screws and 1/4"-20 locking nuts. Tighten the screws and nuts completely.
6. Complete the remaining installation using the instructions supplied with the Water Booster Pump.

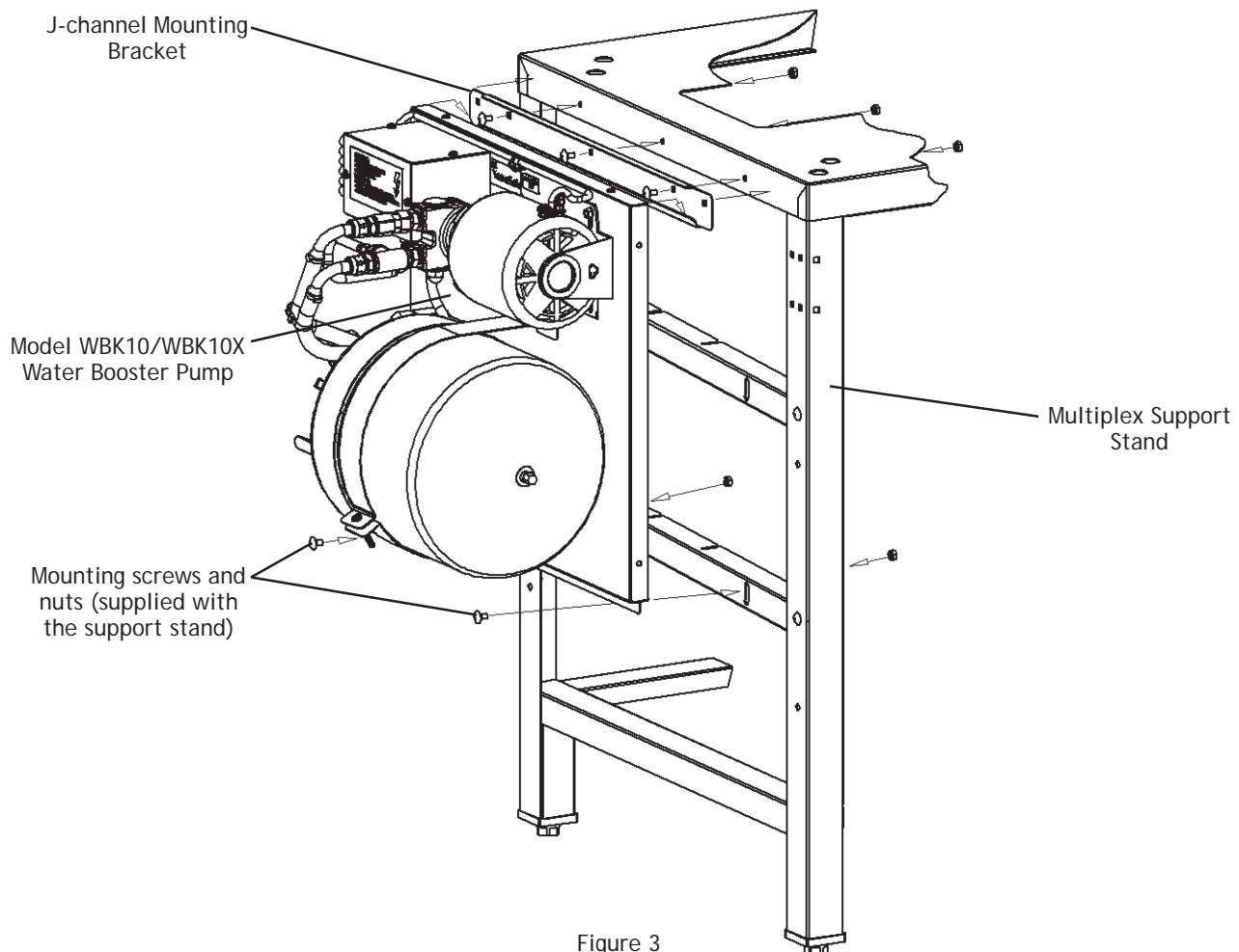
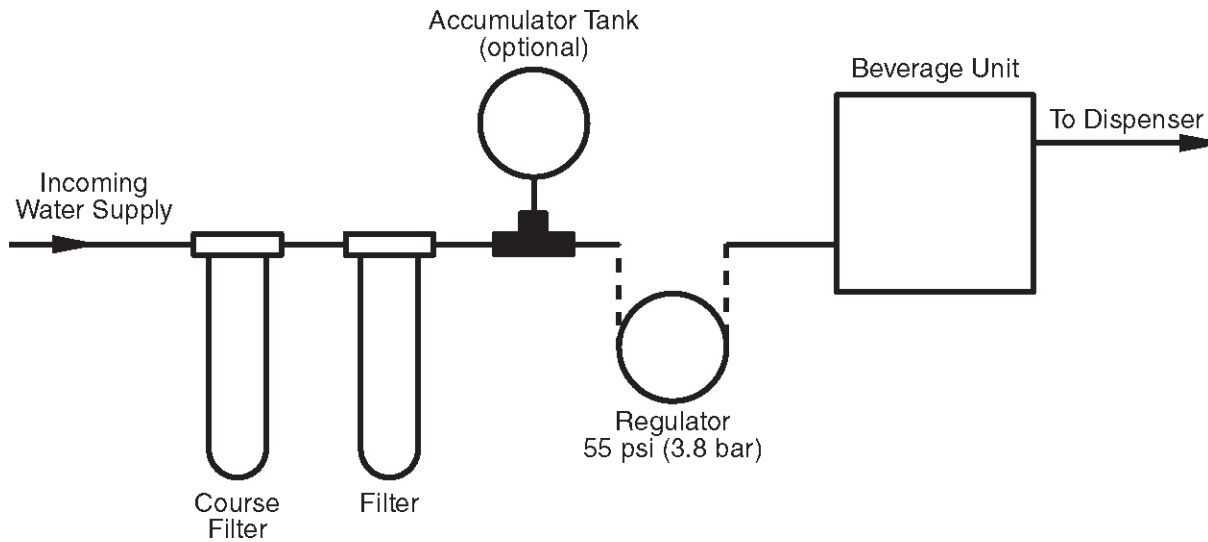


Figure 3

Installing the Multiplex Model WBK10/WBK10X Water Booster Pump (continued)

Before installing the water booster pump



After installing the water booster pump

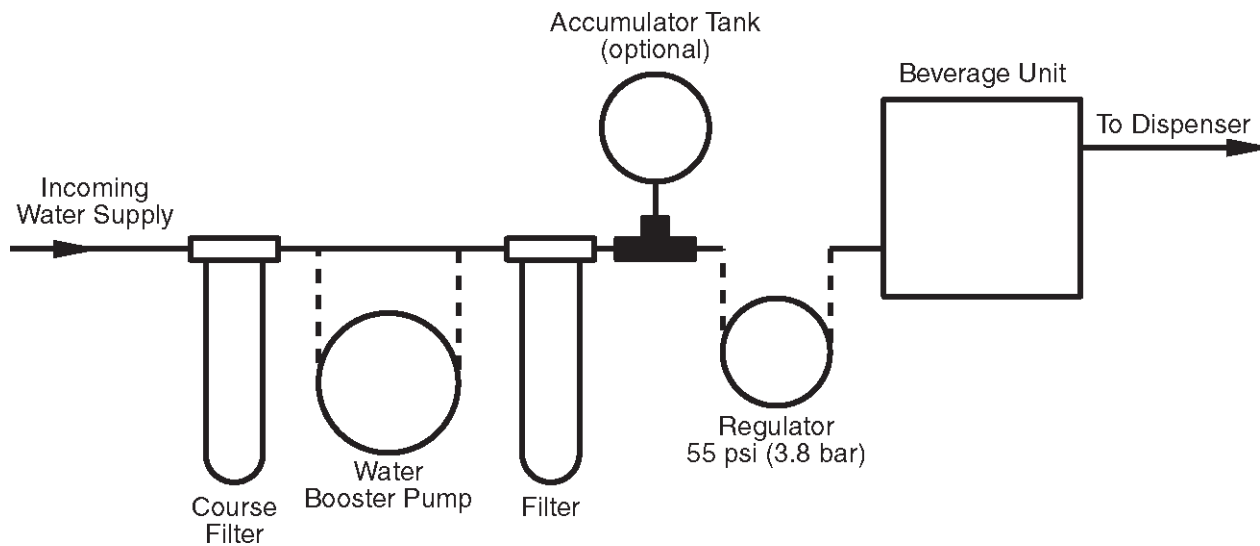


Figure 3