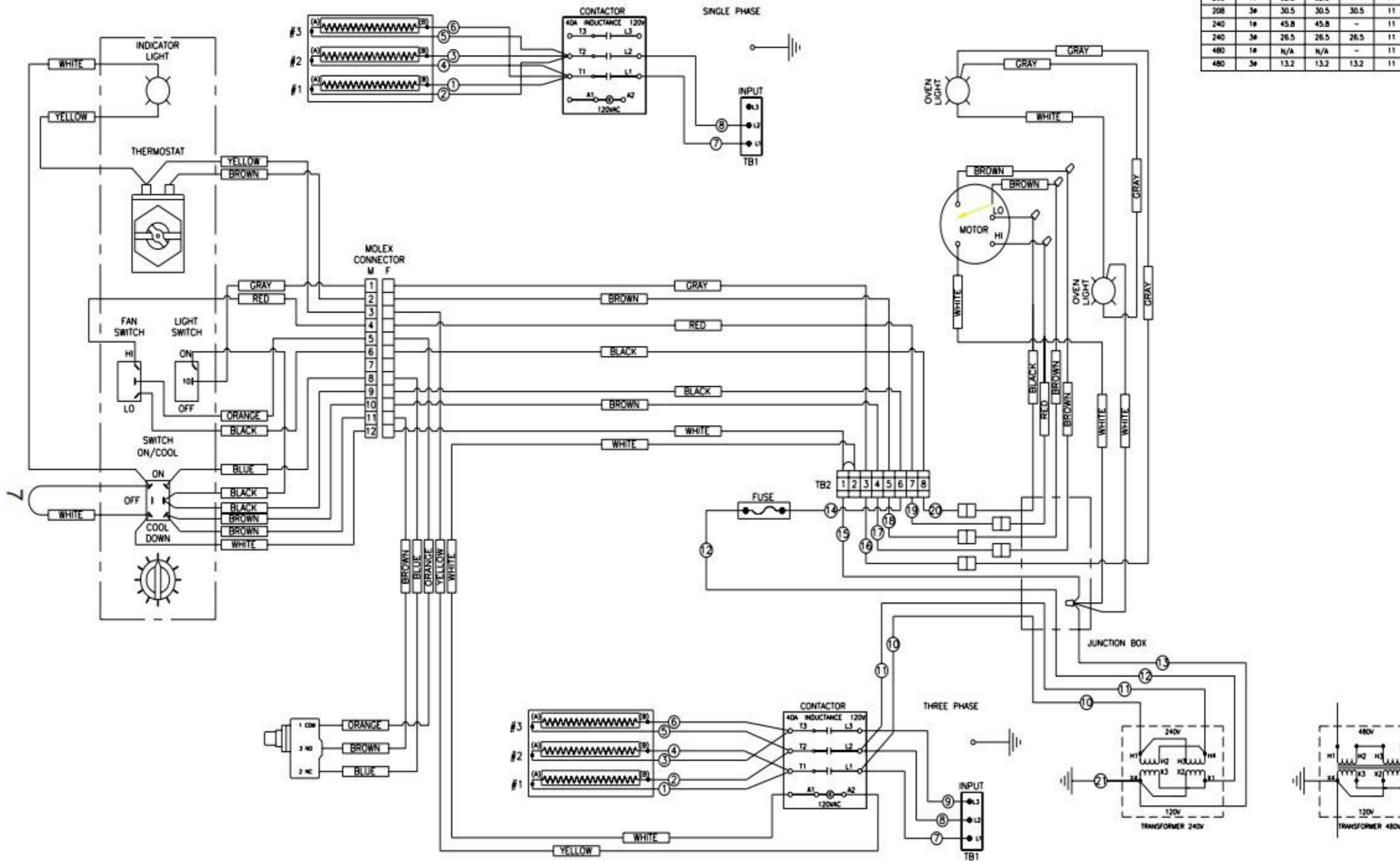


VOLTS 60 HZ	PHASE	AMPS PER LINE WIRE			KW
		L1	L2	L3	
208	1φ	52.8	52.8	-	11
208	3φ	30.5	30.5	30.5	11
240	1φ	45.8	45.8	-	11
240	3φ	26.5	26.5	26.5	11
480	1φ	N/A	N/A	-	11
480	3φ	13.2	13.2	13.2	11



NOTE:
NUMBERED WIRES ARE SUPPLIED BY MARKET FORGE.