

MB MASTER-BILT[®] ™ *Refrigeration Solutions*



BHC Series Installation & Operations Manual

Master-Bilt Products
908 Highway 15 North
New Albany, MS 38652
Phone: (800) 684-8988

PN 295-90000
05-25-06

TABLE OF CONTENTS

INTRODUCTION.....	4
STORE CONDITIONS.....	4
WARNING LABELS AND SAFETY INSTRUCTIONS.....	5
PRE-INSTALLATION INSTRUCTIONS.....	6
Inspection for Shipping Damage.....	6
INSTALLATION INSTRUCTIONS.....	6
General Instructions.....	6
Mechanical	6
Electrical.....	7
Leg and Condensate Pan Installation.....	8
SERVICE INSTRUCTIONS	8
TEMPERATURE SENSOR, DEFROST HEATER AND FAN MOTOR REPLACEMENT.....	8
DIXELL (XR60C) ELECTRONIC REFRIGERATION CONTROL	9
FINAL CHECK LIST.....	13
SENSOR PROBE	14
MASTER-BILT PART NUMBERS	15
ACCESSORIES.....	16
SALE AND DISPOSAL	16
WIRING DIAGRAMS IHC.....	17

INTRODUCTION

Thank you for purchasing a Master-Bilt cabinet. This manual contains important instructions for installing, using, and servicing a Master-Bilt **BHC** case. A parts list is included with this manual. Read all these documents carefully before installing or servicing your equipment.

STORE CONDITIONS

The Master-Bilt **BHC** cases are designed to operate in the controlled environment of an air-conditioned store. The store temperature should be at or below 75°F and a relative humidity of 55% or less. At higher temperature or humidity conditions, the performance of these cases may be affected and the capacity diminished.

The Master-Bilt **BHC** should not be positioned where it is directly exposed to rays of sun or near a direct source of radiant heat or airflow. This will adversely affect the case and will result in poor performance.

If this case is to be located against a wall, there should be at least 4" space between the wall and the back of the case. This space will allow for the circulation of air behind the case, which will prevent condensation on the exterior surfaces.



NOTICE

Read this manual before installing your cabinet. Keep the manual and refer to it before doing any service on the equipment. Failure to do so could result in personal injury or damage to the cabinet.



DANGER

Improper or faulty hook-up of electrical components on the refrigeration units can result in severe injury or death.

All electrical wiring hook-ups must be done in accordance with all applicable local, regional or national standards.



NOTICE

Installation and service of the refrigeration and electrical components of the cabinet must be performed by a refrigeration mechanic and/or a licensed electrician.

The portions of this manual covering refrigeration and electrical components contain technical instructions intended only for persons qualified to perform refrigeration and electrical work. This manual cannot cover every installation, use or service situation. If you need additional information, call or write us:

Customer Service Department
Master-Bilt Products
Highway 15 North
New Albany, MS 38652
Phone (800) 684-8988
Fax (800) 684-8988

WARNING LABELS AND SAFETY INSTRUCTIONS



This symbol is the safety-alert symbol. When you see this symbol on your cabinet or in this manual, be alert to the potential for personal injury or damage to your equipment.

Be sure you understand all safety messages and always follow recommended precautions and safe operating practices.



NOTICE TO EMPLOYERS

You must make sure that everyone who installs, uses or services your cabinet is thoroughly familiar with all safety information and procedures.

Important safety information is presented in this section and throughout the manual. The following signal words are used in the warnings and safety messages:

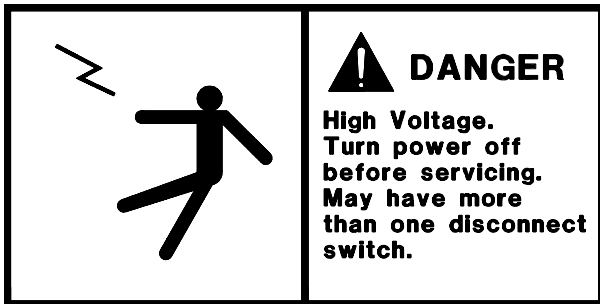
DANGER: Severe injury or death will occur if you ignore the message.

WARNING: Severe injury or death can occur if you ignore the message.

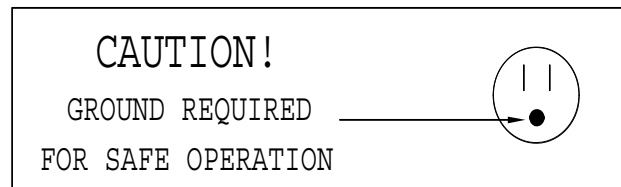
CAUTION: Minor injury or damage to your cabinet can occur if you ignore the message.

NOTICE: This is important installation, operation or service information. If you ignore the message, you may damage your cabinet.

The warning and safety labels shown throughout this manual are placed on your Master-Bilt Products cabinet at the factory. Follow all warning label instructions. If any warning or safety labels become lost or damaged, call your customer service department at (800) 684-8988 for replacements.



This label is attached to the cabinet power cord label and on the wiring channel.



This label is located on top of the electrical control on models with a power cord.

PRE-INSTALLATION INSTRUCTIONS

INSPECTION FOR SHIPPING DAMAGE

You are responsible for filing all freight claims with the delivering truck line. Inspect all cartons and crates for damage as soon as they arrive. If damage is noted to shipping crates or cartons or if a shortage is found, note this on the bill of lading (all copies) prior to signing.

If damage is discovered when the cabinet is uncrated, immediately call the delivering truck line and follow up the call with a written report indicating concealed damage to your shipment. Ask for an immediate inspection of your concealed damage item. Crating material must be retained to show the inspector from the truck line.

INSTALLATION INSTRUCTIONS

GENERAL INSTRUCTIONS

1. Be sure the equipment is properly installed by competent service people.
2. Keep the equipment clean and sanitary so it will meet your local sanitation codes. Clean the cabinet with a mild detergent and water, then rinse.
3. Rotate your stock so that older stock does not accumulate. This is especially important for ice cream. A "First-In, First-Out" rotation practice will keep the products in good salable condition.
4. Do not place product in the case when it is soft or partially thawed. Also, product should not be put in the case for at least 4 hours after it is started.
5. Stock cases as quickly as possible, exposing only small quantities to store temperatures for short periods of time.

NOTICE TO STORE OWNERS / MANAGERS

Moisture or liquid around or under the cabinet is a potential slip/fall hazard for persons walking by or working in the general area of the cabinet. Any cabinet malfunction or housekeeping problem that creates a slip/fall hazard around or under the cabinet should be corrected immediately.

If moisture or liquid is observed around or under a Master-Bilt cabinet, an immediate investigation should be made by qualified personnel to determine the source of the moisture or liquid. The investigation should determine if the cabinet is malfunctioning or if there is a drainpipe leaking.

MECHANICAL

Remove front grille and check refrigeration lines to see that they are free (not touching each other or compressor). Spin condenser fan blade to see that it is free.

Check for electrical wires that may have moved during shipping.



Remove cabinet from crate base and slide into location. Cabinet must be level from side to side and front to back for correct draining of coil pan and for self-closing doors to operate correctly. Allow minimum of 4" between back of cabinet and wall and between top of cabinet and ceiling for proper condensing unit air circulation.

To comply with Sanitation requirements the cabinet must be mounted on legs (6" high min.) or casters or the base must be sealed to the floor with an N.S.F. listed silicone sealant.

To comply with UL requirements the cabinet must have a minimum clearance of 4" at the top, 6" at the rear and 0" at each side.

ELECTRICAL



Before servicing electrical components in the case or the doors or door frames make sure all power to case is off. Always use a qualified technician.

Check voltage and amps drawn on (Page 17) to determine proper line and fuse or circuit breaker size. Check power supply for low voltage. If voltage reads "230" with no load, and it drops below "207" when the compressor tries to start, it is an indication of too small supply wiring or too long to run.

It is recommended that a separate circuit be run for each cabinet to prevent another appliance blowing the fuse or breaker, causing loss of product. All circuit breaker to be "HACR" type or fuses to be time delay type.

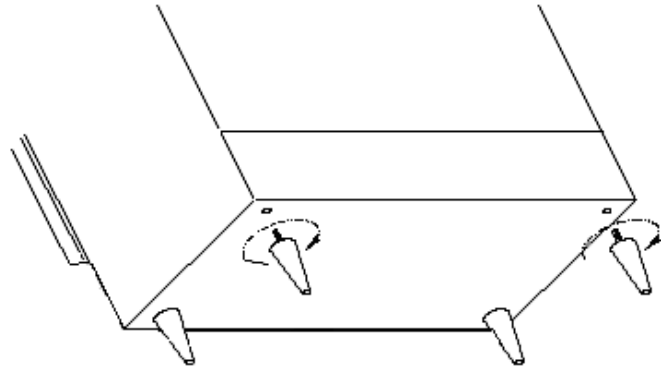
The cabinet should be grounded.

LOW TEMPERATURE FREEZERS – “BHC” Models

The BHC has a power cord in the bottom of the cabinet at the right rear for connection to power. On initial start-up the evaporator fan motors will not start and you cannot initiate a defrost until the evaporator coil temperature has lowered to 30°F. This is due to the thermostat. Also, the cabinet comes with a non-adjustable “Front” control to keep the mullion heaters off until the cabinet temperature has lowered to 10°F.

LEG AND CONDENSATE PAN INSTALLATION FOR TOP MOUNT CABINETS ONLY

1. Screw legs or casters into existing crate mounting holes.



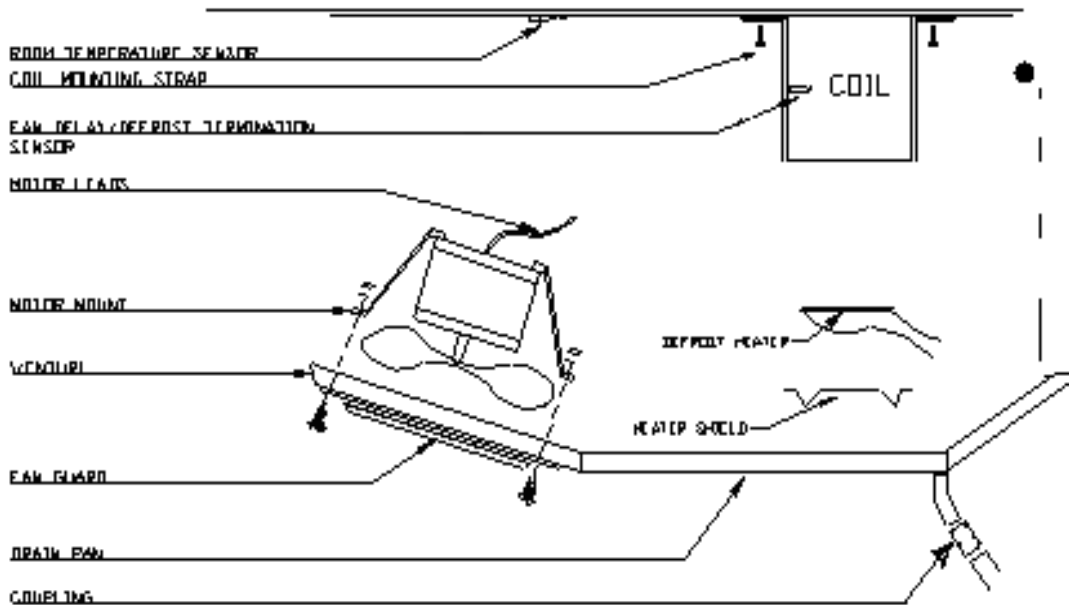
SERVICE INSTRUCTIONS

1. High head pressure and high back pressure:
 - A. Condenser coil clogged or restricted
 - B. Condenser fan motor defective.
 - C. Air discharge in rear of cabinet restricted.
2. Low back pressure and low head pressure:
 - A. Restriction in system.
 - B. Refrigerant undercharged.
 - C. Leak in system
3. Pressure normal – cabinet warm:
 - A. Coil blocked with frost.
 - B. Refrigerant undercharged.
 - C. Control set too warm.
4. Cabinet not cycling – coil blocked with frost:
 - A. Defective temperature controller.
 - B. Refrigerant overcharged.
 - C. Location too hot.
 - D. Condenser clogged.
 - E. Condenser fan motor defective.
 - F. Defrost heater not operating.
5. Compressor starts and runs – but cycles on overload:
 - A. Low voltage
 - B. Relay defective.
 - C. Overload defective.
 - D. High head pressure .

Temperature sensor, defrost heater and fan motor replacement

Before making any change, technician should:

1. Disconnect power to the cabinet
2. Remove screws from venturi and pull down



To change a temperature sensor (cabinet zone sensor or defrost termination sensor), simply disconnect the sensor wires from the controller and replace the new sensor in the original position. Use plastic tie to tighten the zone sensor. Insert the sensor for defrost termination firmly into the evaporator coil, in between the fins. Make sure the sensor wires do not touch or are not close to any heater rods.

To change defrost heater – remove screws from drain pan and pull down – remove screws from coil mounting straps – spring straps open – remove heater shield – pull heater out of slots in coil fins.

To change fan motor – disconnect fan motor leads – remove screws from fan guards and motor mounts.

MASTER-BILT ELECTRONIC REFRIGERATION CONTROL

OPERATION

Compressor When power is first turned on to the control, the LED indicator under COMP on the display starts blinking. After one-minute delay the compressor comes on. The COMP LED indicator stays on while compressor relay is energized. Display will show actual box temperature. Figure 4 is the display layout. The compressor will be cycled off when the actual box temperature reaches its set point. The COMP indicator will be off.





Fig. 4 – Display Lay-out


Fan The fans will run constantly except when a defrost is initiated, the door's are opened, or when the evaporator temp is above the 30°F. When in defrost mode the fan is off until the end of the defrost and the 2 minute drip time has passed. There is 4 minutes delay after a defrost before the fan comes on. The difference of the evaporator and room temperature of more than 9°F will override the fan delay. FAN LED indicator is on while FAN relay is energized.

Defrost The control uses timed defrosts with 3 defrosts per day. A programmed "HOT-KEY" has to be used to re-set the defrost scheme for special applications. During defrost the display will show dEF and the LED indicator under DEF in on.

MANUAL DEFROST

1. Push this **DEFROST**  key for more than 2 seconds and a manual defrost will start.
2. While in defrost, Push and hold the **DEFROST**  key for more than 5 seconds and the controller will end the defrost cycle. The controller will then enter drip mode for 2 minutes. The DEF led is flashing in drip mode.

HOW TO SEE THE SETPOINT (Box temperature cut-out)

1.  Push and immediately release the **SET** key: the display will show the Set point value;
2. Push and immediately release the **SET** key or wait for 5 seconds to display the probe value (actual box temperature) again.

HOW TO CHANGE THE SETPOINT

1. Push the **SET** key for more than 2 seconds to change the Set point value;
2. The value of the set point will be displayed and the LED under COMP starts blinking;
3. To change the Set value push the **UP ▲** or **DOWN ▼** arrows within 10s.
To memorize the new set point value push the **SET** key again or wait 10s.

HOW TO CHANGE a parameter value



1. Enter the Programming mode by pressing the **SET** and **DOWN ▼** keys for 3 seconds (LEDs under DEF and COMP start blinking).
2. Select the required parameter by pushing the **UP ▲** or **DOWN ▼** arrows
3. Press the “**SET**” key to display its value (now only the COMP LED is blinking)
4. Use “**UP**” or “**DOWN**” to change its value
5. To exit: Press **SET + UP ▲** or wait 15s without pressing a key.

NOTE 1: The set value is stored even when the procedure is exited by waiting the time-out to expire.

NOTE 2: Master-Bilt’s SETPOINT for this cabinet is set at a recommended –20°F at the factory for low temperature(LT).

NOTE 3: To scroll down the parameters without changing them, press the DOWN button.

LIST OF PARAMETERS

Here is a list of the parameters the value of which can be changed in the programming mode, as well as their ranges.

Parameter	Display Symbol	Description	Range	Master-Bilt’s Setting
				BHC-27 & 48
Temperature Set Point	Set	When this temperature is reached the compressor LED will be off	-30 to 15°F	-20°F (-29°C)
Temperature Differential	Hy	Cut-out temperature is Set + Hy	1 to 255°F	10°F (6°C)
Maximum Temperature Alarm	ALU		230°F	30°F (-10°C)
Minimum Temperature Alarm	ALL		-58°F	-35°F (-37°C)
Temperature Alarm Delay	Ald		0 to 255 min	30min
Room Probe display	dP1			
Evaporator Probe Display	dP2			

ALARM SIGNALS

Message	Cause	Outputs
“P1”	Room probe failure	Compressor operated on time. 6min ON, 4 min OFF
“P2”	Evaporator probe failure	Defrost end is timed
“HA”	Maximum temperature alarm	Outputs unchanged.
“LA”	Minimum temperature alarm	Outputs unchanged.

NOTE:

Probe alarms “P1” and “P2” start some seconds after the fault in the related probe; they automatically stop some seconds after the probe restarts normal operation. Check connections before replacing the probe.

Temperature alarms “HA” and “LA” automatically stop as soon as the thermostat temperature returns to normal values and when defrost starts.

FINAL CHECK LIST

- A. Check operating pressures.
- B. Check electrical requirements of unit to supply voltage.
- C. Set temperature control for desired temperature range.
- D. Check sight glass (if applicable) for proper refrigerant charge.
- E. Check system for proper defrost settings and operation.
- F. Check condensing unit for vibrating or rubbing tubing. Dampen and clamp as required.
- G. All valves should be completely opened counter-clockwise.
- H. Check packing nuts on all service valves.
- I. Replace all service valve caps and latch unit covers.

SENSOR PROBE

NOTICE: If the probe assembly is disconnected from the main board during normal operation (unit running), the connectors must be installed in the same position that they had before disconnection (P1 and P2), otherwise the control will not function properly.

The Electronic Refrigeration Control sensors have NTC thermistors. The reference resistance is 30,000 ohms at 77°F (25°C). It carries NTC thermistors with a range of -40° to 199° F. In case there is a failure, these sensors should be used in replacement of the sensors shipped with the control. In order to diagnose faults in the probe, the control has LED functions as a diagnostic tool. When power is supplied to the control, the LED will turn on and will remain on as long as this condition is satisfied. When there is a fault in the probe, the LED will blink intermittently. When this occurs, the probe assembly needs to be replaced. If power is supplied to the control and the LED remains off, there is a failure in the main relay control and it needs to be replaced.

In case of a probe failure, the control will go into a safety mode of operation. While in safety mode the control ignores probe inputs and cycles the compressor on for 6 minutes and off for 4 minutes. The LED will be blinking and signalling that there is something wrong with the probe. To replace the sensor probes, disconnect power to the control, replace the probes and restart the unit. Since the wire is fixed to the cabinet, a technician may cut the sensor wire inside the cabinet and splice it with a new sensor.

SENSOR PROBE TEMPERATURE AND RESISTANCE

Temperature		Resistance
°F	°C	Ohms
-29.2	-34	683,100
-20.2	-29	499,200
-9.4	-23	347,100
-0.4	-18	259,500
10.4	-12	185,200
19.4	-7	141,200
30.2	-1	103,100
32.0	0	97,950
39.2	4	80,040
50.0	10	59,700
60.8	16	45,000
69.8	21	35,820
80.6	27	27,500
89.6	32	22,210

MASTER-BILT PART LIST

The table below gives Master-Bilt part numbers. Use this chart when ordering replacement parts for your IHC cabinets. Always Advise Cabinet Serial Number When Ordering Parts.

Description	BHC-27		BHC-48
	115 Volt	230 Volt	230 Volt
Cabinet Frame Heater	17-09419	17-09150	17-09441
Coil Defrost Heater	1709407	17-09440	17-09408
Compressor	03-14902	03-14960	03-14973
Condenser Coil	07-13391	07-13391	07-13344
Condenser Fan Blade	15-13093	15-13093	15-13093
Contacto	19-13936	19-13934	19-13934
Condenser Fan Motor	13-00311	13-01283	13-01283
Controller	19-13918	19-13963	19-13963
T-Sensor (2)	19-13932	19-13932	19-13932
Door Gasket	37-01321	37-01321	37-01320
Door Hinge-Outer Doors	35-01450	35-01450	35-01450
Door Trim	29-01379	29-01379	29-01379
Drain Line Heater	17-00404	17-09063	17-09063
Drain Fitting	11-01410	11-01410	11-01410
Drier	09-09171	09-09171	09-09711
Evaporator Coil	07-13288	07-13288	07-13289
Evaporator Fan Blade	15-13106	15-13106	15-13106
Evaporator Fan Guard	25-01324	25-01324	25-01324
Evaporator Fan Motor	13-13181	13-13182	13-13182
Expansion Valve	09-09445	09-09445	09-09542
Drain Line heater	21-00577	21-00577	21-00577
Front Control	19-13897	19-13879	19-13897
Heater Safety Control	19-01164	19-01164	19-01191
Leg Leveler	27-00592	27-00592	27-00592
Compressor Switch	19-13118	19-13118	19-13118
Shelves	33-01763	33-01763	33-01875
Air Valve	11-01720	11-01720	11-01720
Shelf Clip	33-01011	33-01011	33-01011
Switch Hinge	35-01506	35-01506	35-01506
Run Capacitor	30MFD13700	30MFD13700	03-14975 (40MFD14400)
Start Capacitor	233-28011650	188-10813300	03-14976 (172-216MFD13300)
Start Relay	3ARR3-A3P6	3ARR3-A3A6	03-14977 (3ARR3-B3R3)

Accessories

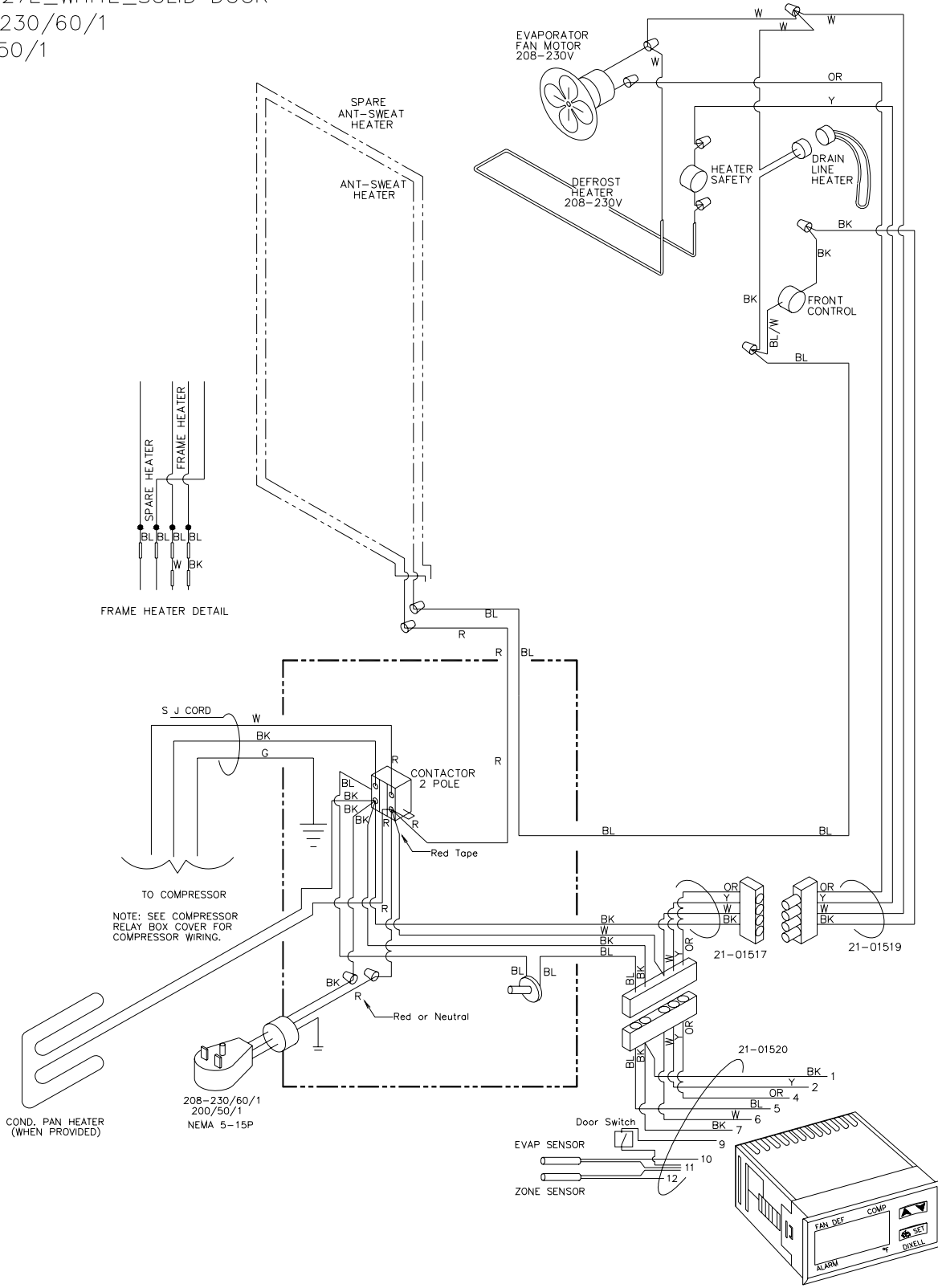
Description	IHC-27	IHC-48
Casters (4) 5" diameter	A297-11140	A297-11140
Voltage Boosting Transformer	39-01080 (208-230V)	39-01080

SALE AND DISPOSAL

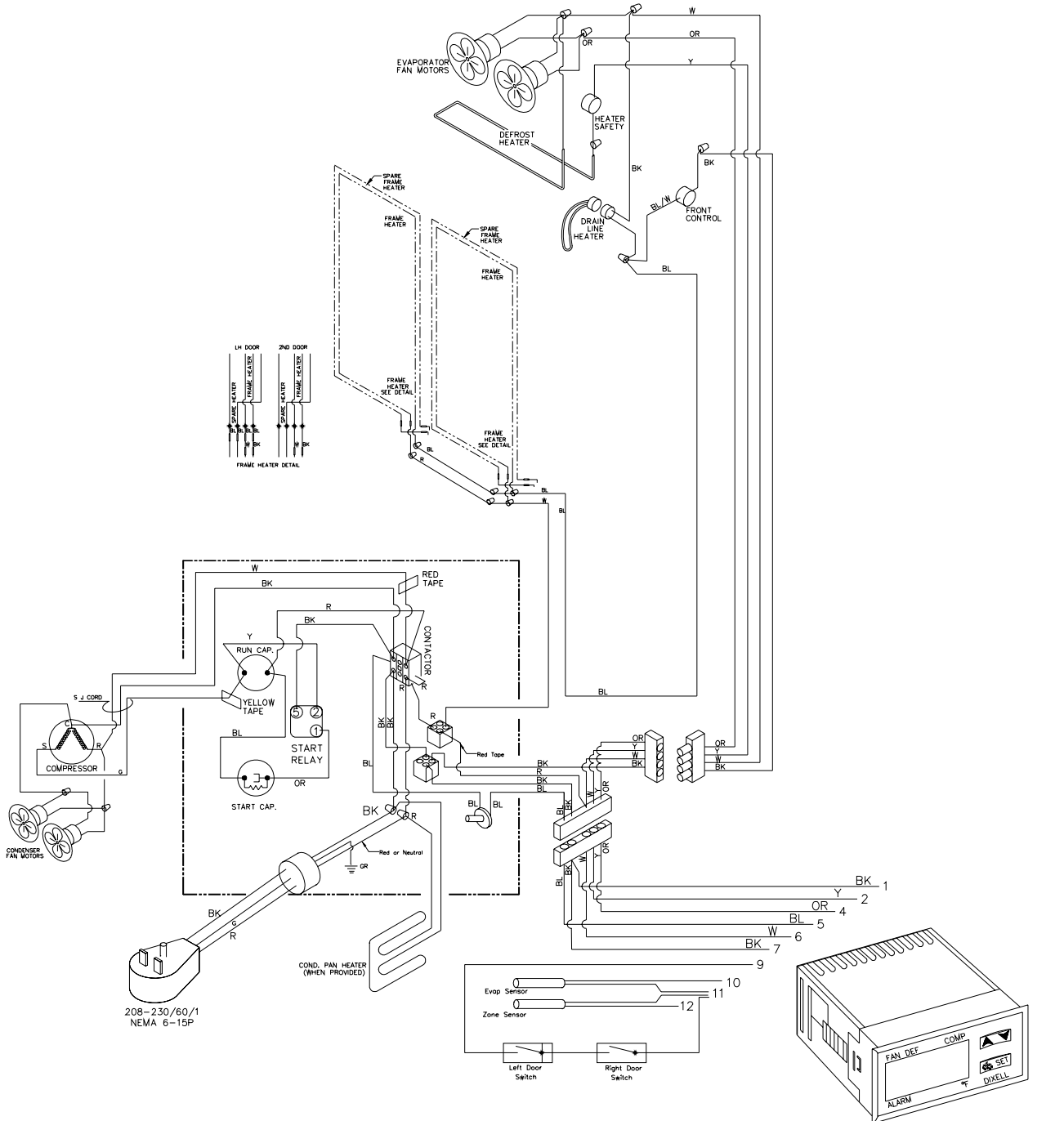
OWNER RESPONSIBILITY

If you sell or give away your Master-Bilt cabinet you must make sure that all safety labels and the Installation - Service Manual are included with it. If you need replacement labels or manuals, Master-Bilt will provide them free. Contact the customer service department at Master-Bilt at (800) 684-8988.

The customer service department at Master-Bilt should be contacted at the time of sale or disposal of your cabinet so records may be kept of its new location.

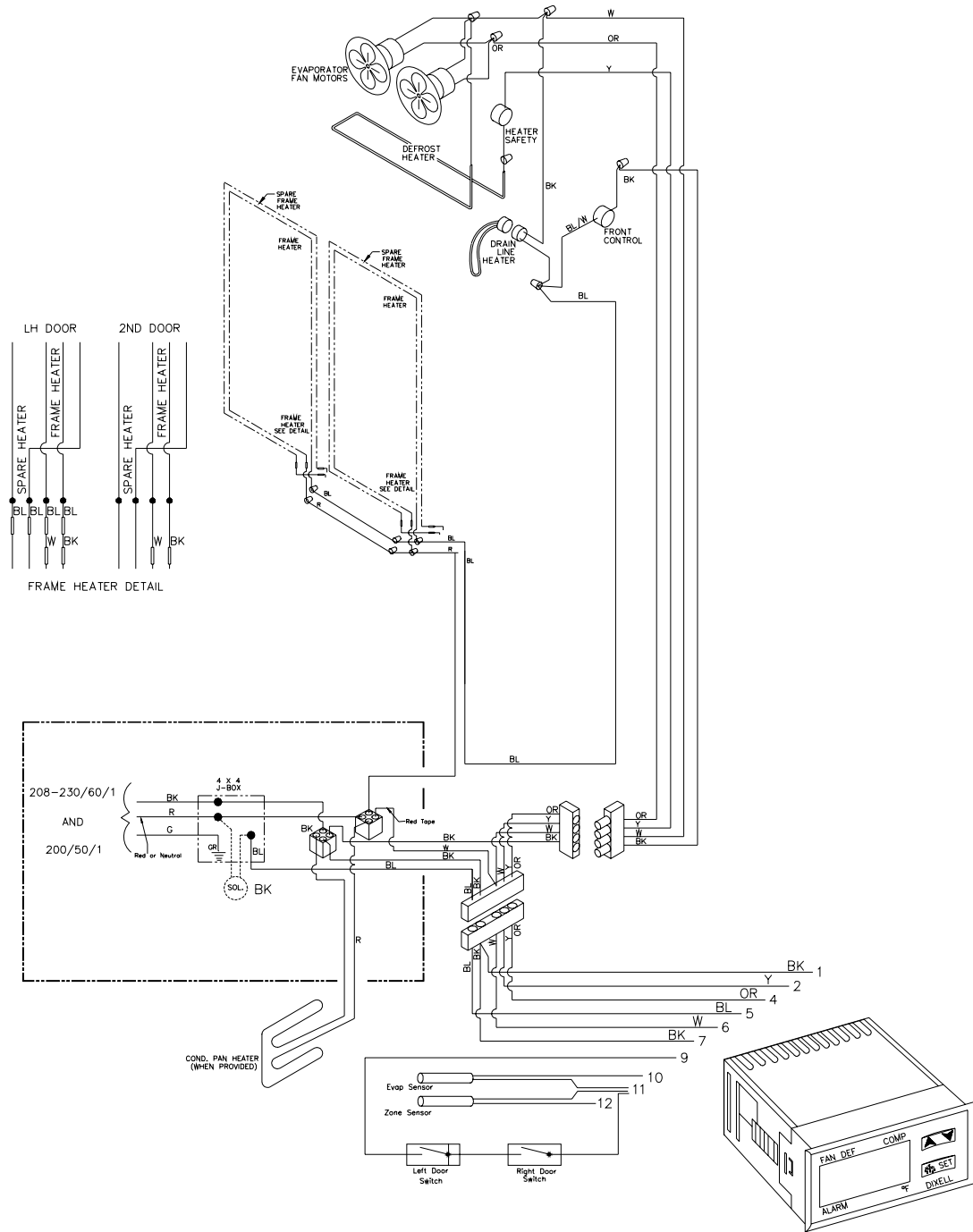


BHC-48E_DIXELL
WHITE_SOLID DOORS



230V Dixell_ (19-13963)

BHC-48R_DIXELL
WHITE_SOLID DOORS



230V Dixell_ (19-13963)