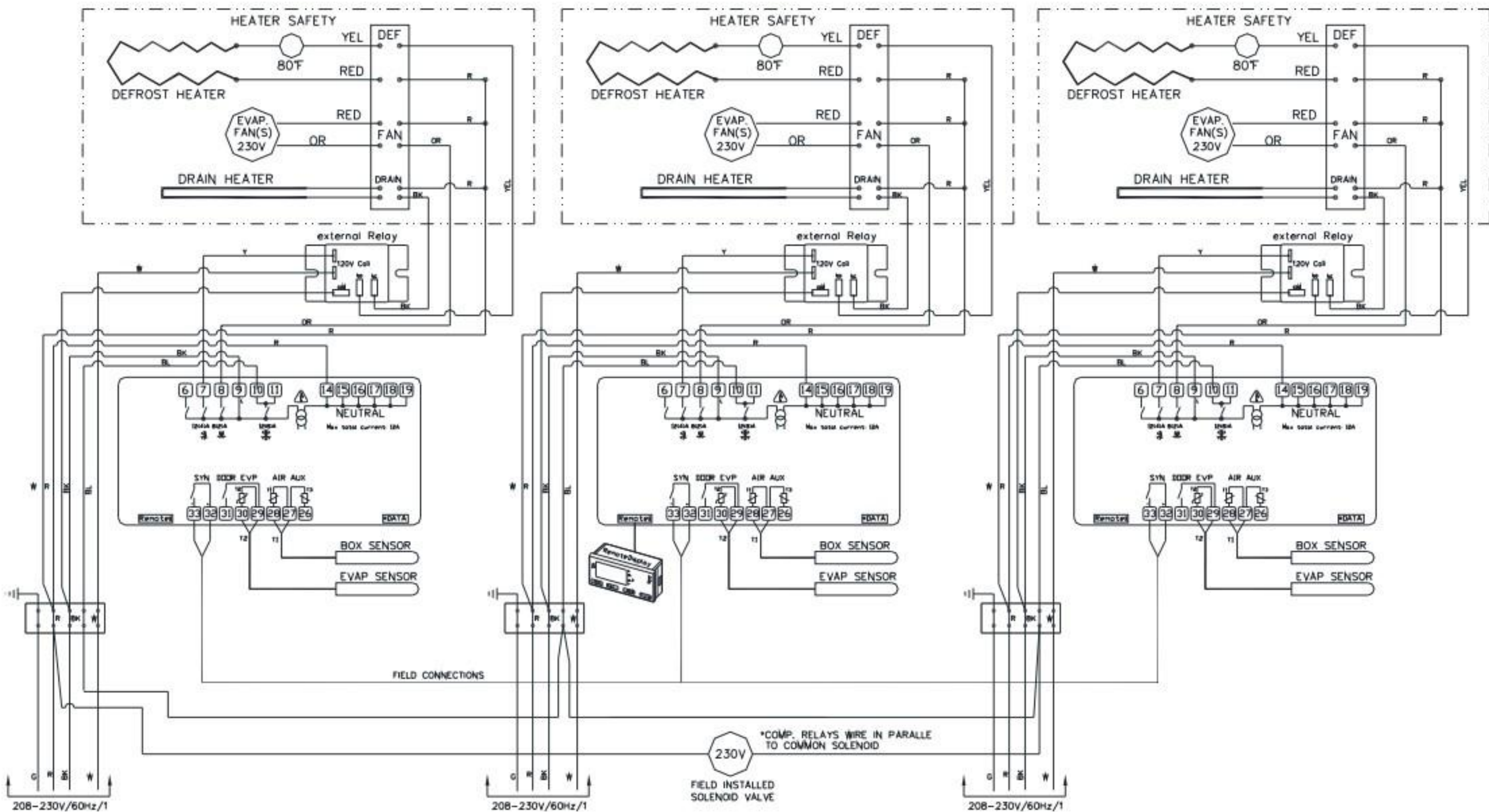


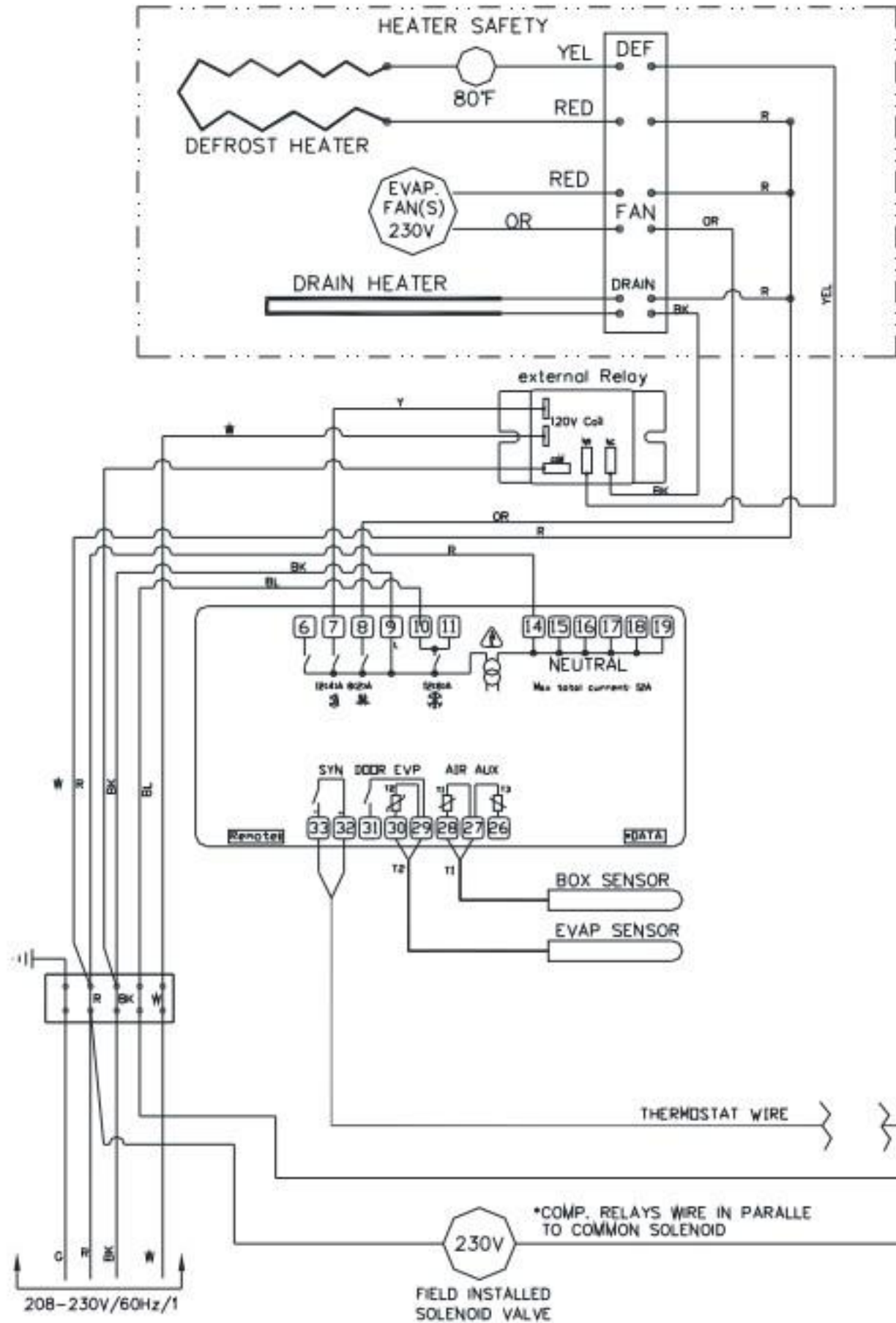
CABINET (A)

CABINET (B)

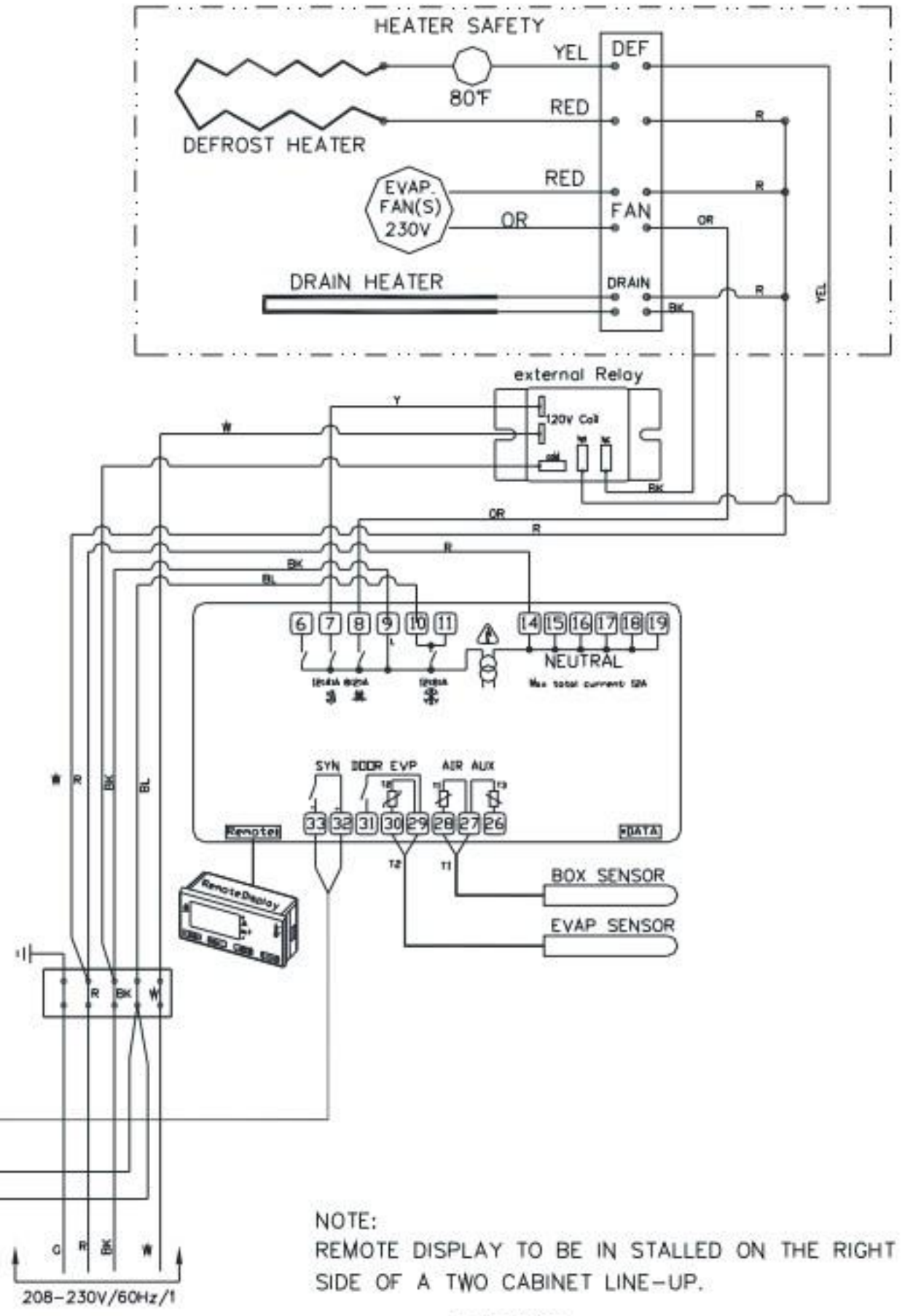
CABINET (C)

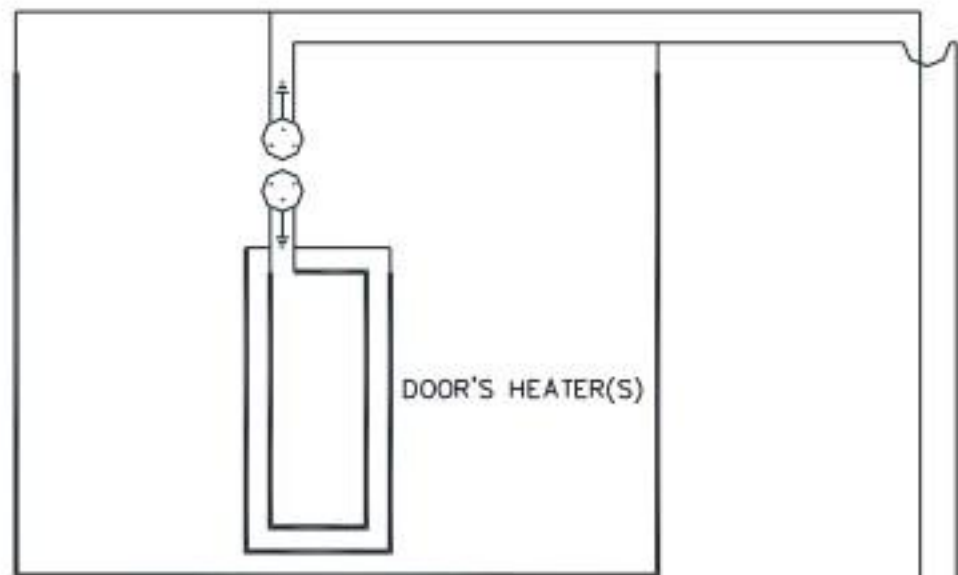


CABINET (B)



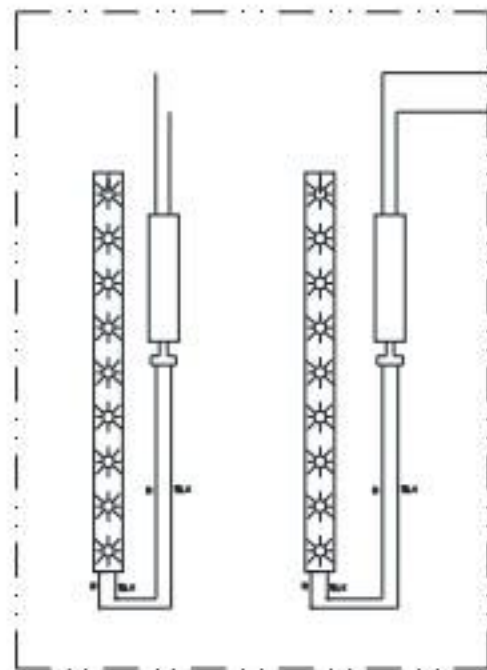
CABINET (B)



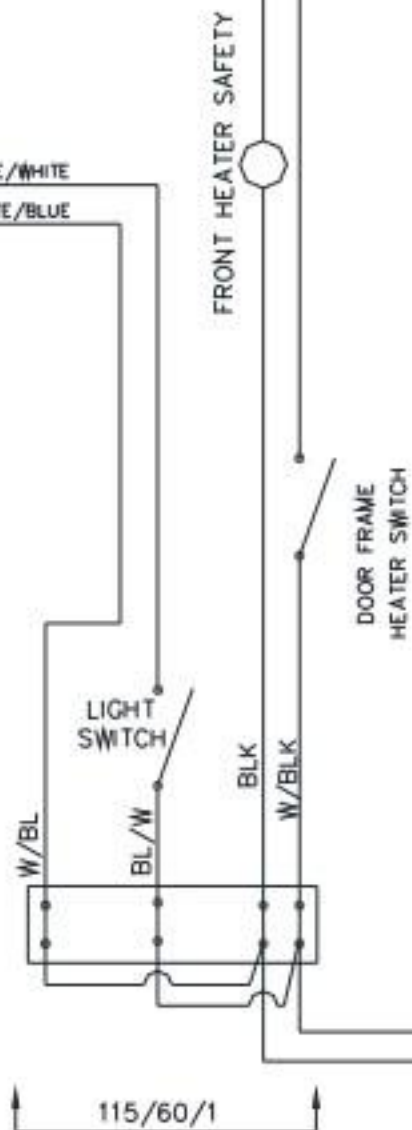


CABINET FRAME HEATER

DOOR'S HEATER(S)

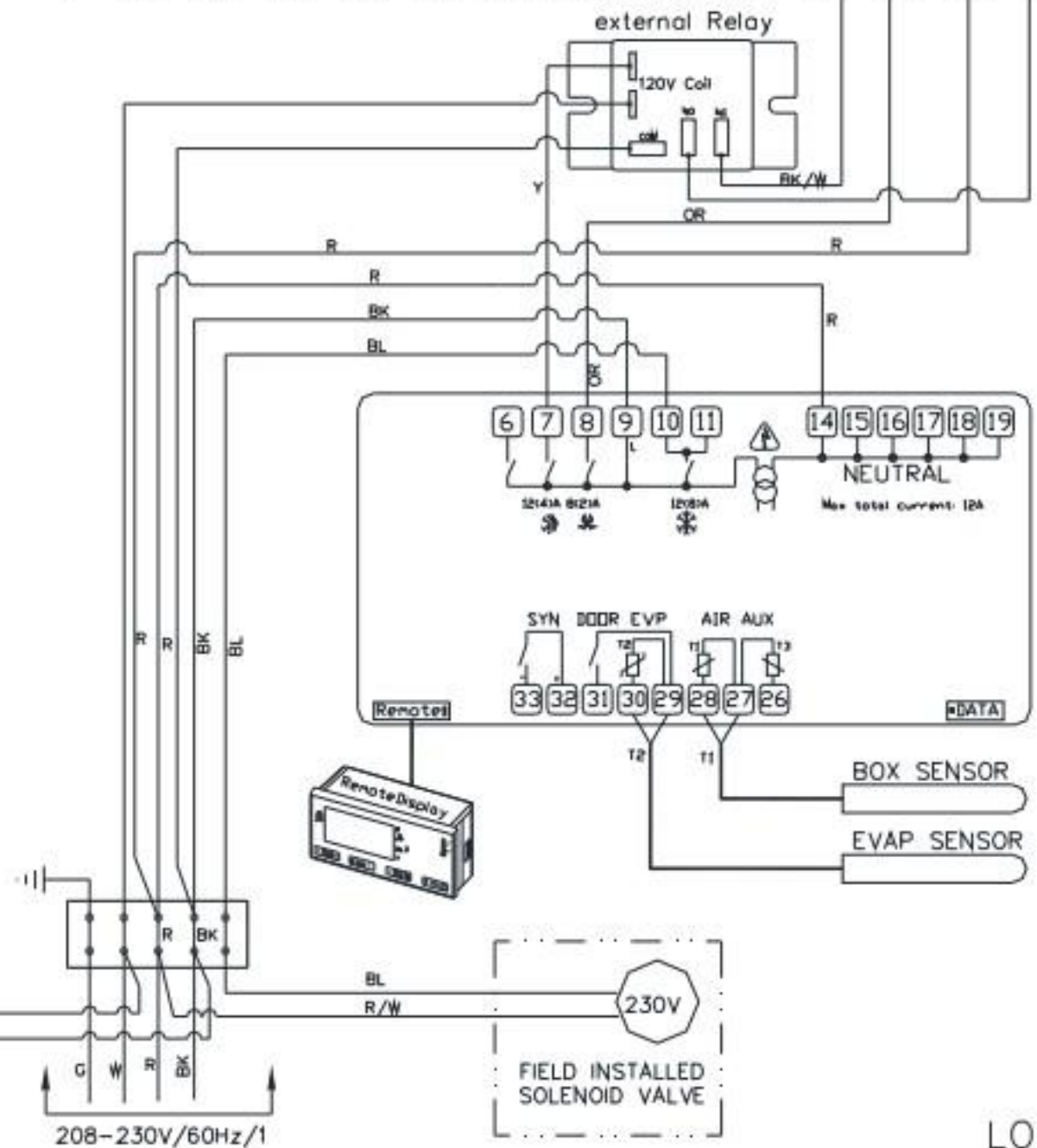
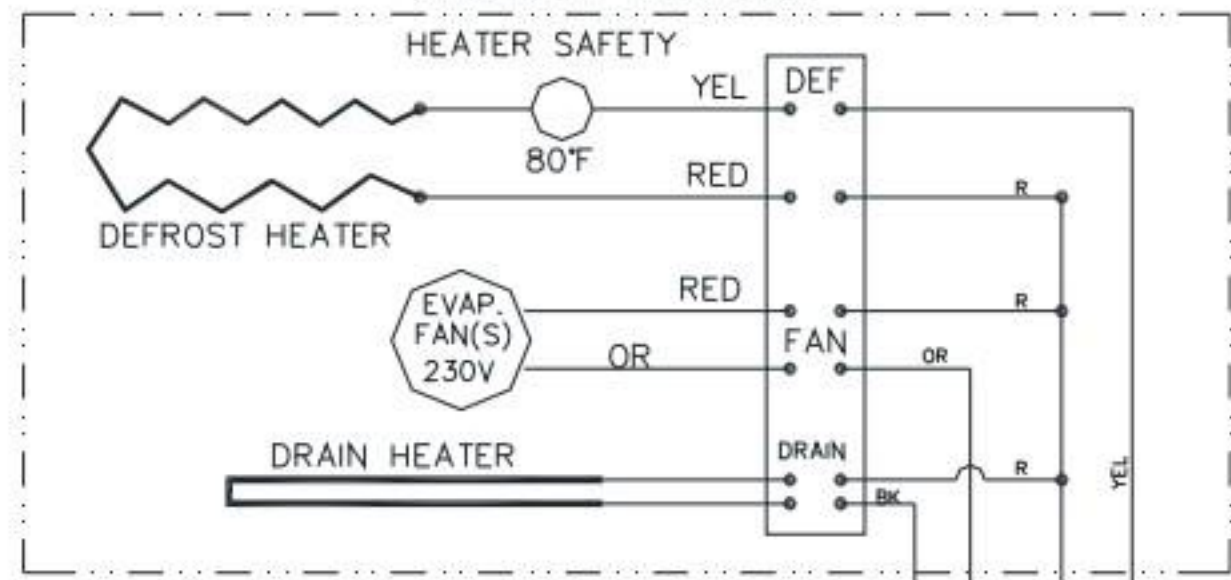


FLOURESCENT/LED LIGHTING
SEE LIGHTING DIAGRAM FOR DETAILS

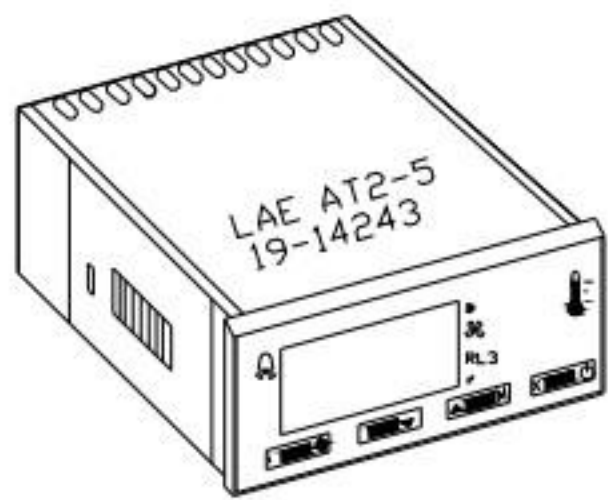
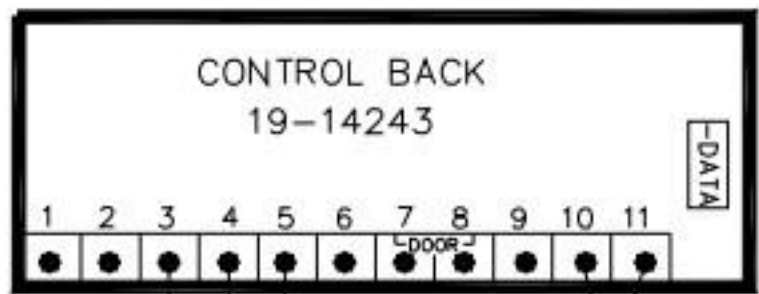


FIELD WIRING

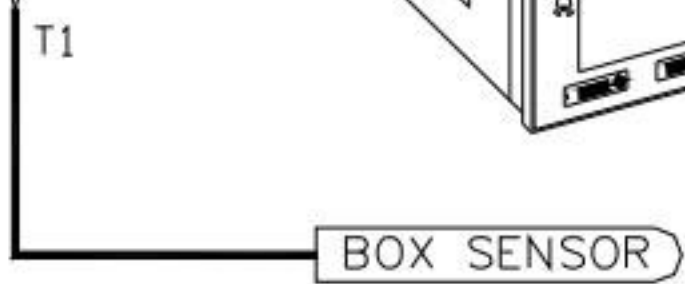
CABINET VENTURI



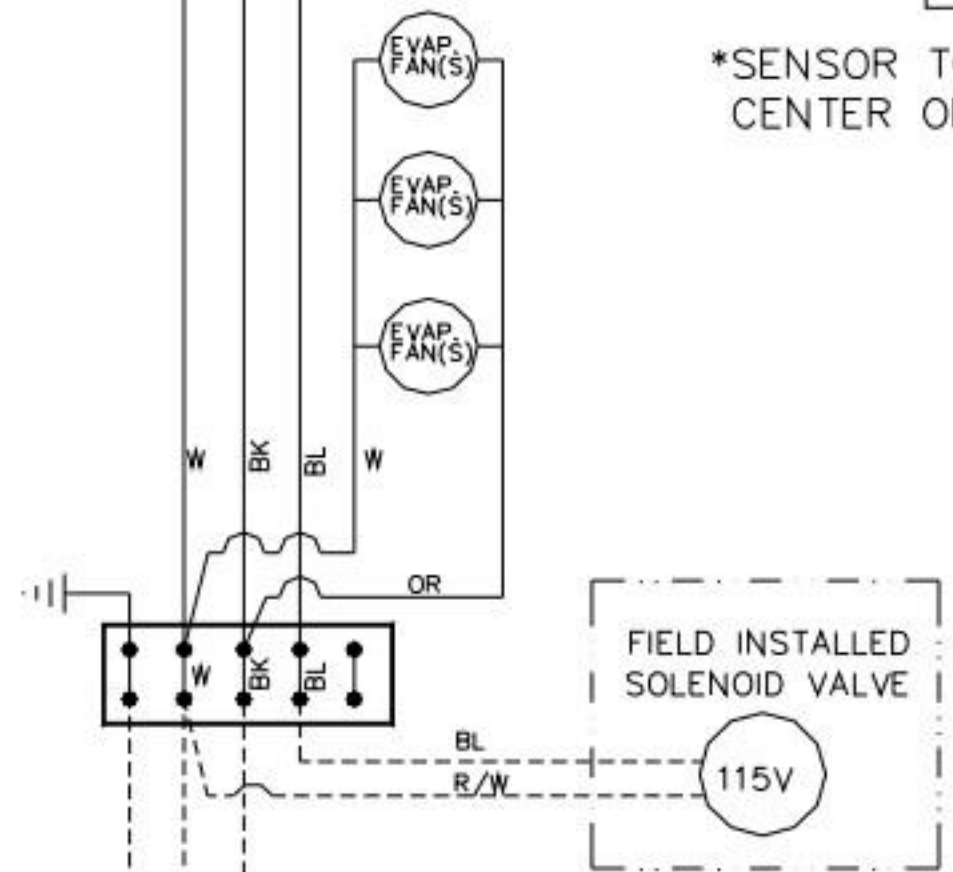
LOW TEMP.



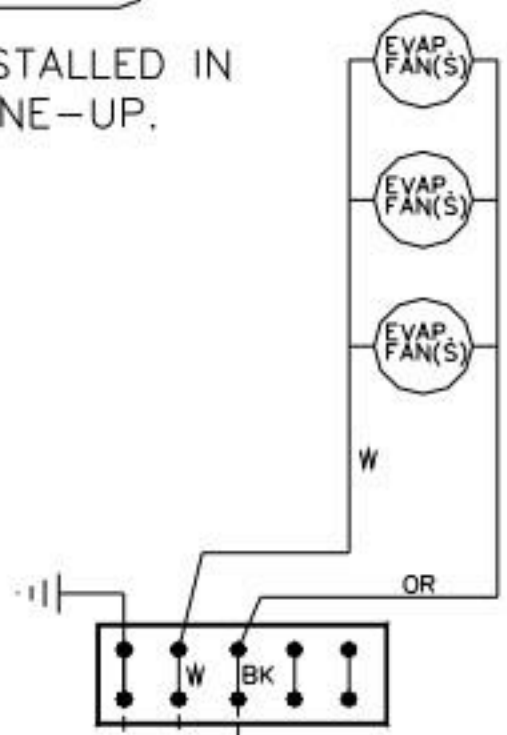
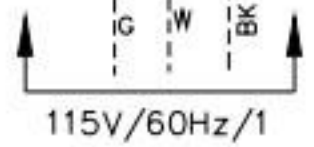
NOTE:
CONTROLLER TO BE INSTALLED ON THE RIGHT SIDE
CABINET OF TWO CABINET LINE-UP, OR THE CENTER
OF THREE CABINET LINE-UP



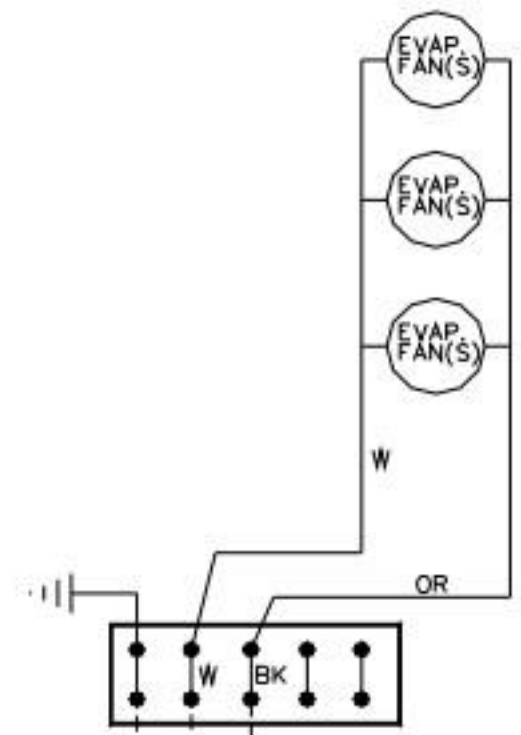
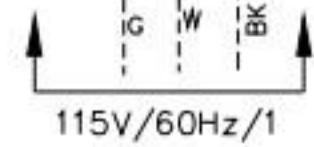
*SENSOR TO BE INSTALLED IN
CENTER OF THE LINE-UP.



CABINET (A)



CABINET (B)



CABINET (C)

