

# MERRYCHEF 'LEGACY' MICROWAVES & OVENS

## SERVICE PARTS LISTS

**Obsolete Parts List**

Pages 2 to 12

### Merrychef 'Legacy' Microwaves

**Merrychef MD Range** **Production Ceased - December 2015**  
[MD1000 - MD1400 - MD1800 & MD1804]

Pages 13 to 16

**Merrychef MDm1800**

Pages 17 to 20

**Merrychef HD & TA Series**

[HD1425 - HD1725 - HD1925 - HD2015 - TA1725 & TA1925]

Pages 21 to 38

### Merrychef 'Legacy' eikon Ovens

**Merrychef eikon e2** **Production Ceased - August 2017**  
[50Hz / 60Hz - 13A - 16A - 20A Models]

Pages 39 to 45

**Merrychef eikon e6** **Production Ceased - August 2016**  
[60Hz Model]

Pages 46 to 48

Merrychef Obsolete - Replacement Parts List

Part No.	Description	Status	Comments
10C0113	Control Panel Assembly	Obsolete - No Replacement	
10C0148	Menukey Assy Kit (EC501)	Obsolete - Use <a href="#">P10C0148</a>	Only 'P' Prefix Change
10C0171	Door Spacer Kit	Obsolete - Use <a href="#">P10C0171</a>	Only 'P' Prefix Change
10C0172	Cap 0.88uF 2500v Service	Obsolete - No Replacement	
<a href="#">10C0174</a>	US Rack Support Replace	Obsolete - No Replacement	
10C0177	Door Spring (Large) Upgrade	Obsolete - No Replacement	
10C0178	Overheat Wirmg Upgrade	Obsolete - No Replacement	
10C0179	Overheat Safety Stat Rewire	Obsolete - No Replacement	
10C0180	Overheat Stat Replacement	Obsolete - No Replacement	
10C0192	M/Stream 501 Hot Air Motor	Obsolete - No Replacement	
10C0236	EC501/2/3 Impellor + Set Screw	Obsolete - No Replacement	
10C0240	Tim Hortons's PM Kit 1	Obsolete - No Replacement	
10C0257	Stud Repair Kit For 510	Obsolete - No Replacement	
10C0258	Tim Hortons 4th Year Maintenance Kit	Obsolete - No Replacement	
10C0260	T'Hortons 5th Yr Service 208V	Obsolete - No Replacement	
10C0261	T'Hortons 5th Yr Service 240V	Obsolete - No Replacement	
10C0266	Menukey 2 Socket Assy FO	Obsolete - No Replacement	
10C0269	1st Aid Service Kit THV2	Obsolete - No Replacement	
10H0035	Menu Key Addition Kit	Obsolete - Use <a href="#">P10C0148</a>	Product Change - Stock of 10H0035 can still be used until depleted
10H0053	Turntable Motor Service Spare	Obsolete - No Replacement	
10H0059	Wrapped Cavity For 401	Obsolete - No Replacement	
10H0061	EC401 Liner Pack	Obsolete - No Replacement	
10H0062	401/3 XX5 2P Supply Kit 2P+N+E (Australia Only)	Obsolete - No Replacement	
10H0063	401/3 XX5 2P Supply Kit 2P+N+E	Obsolete - No Replacement	
10H0065	401/3 XX5 Supply Kit 1P+N+E	Obsolete - No Replacement	
10H0066	401/3 Dual Phase Upgrade	Obsolete - No Replacement	
10H0067	1st Aid 401XX5 24050 UK	Obsolete - No Replacement	
10H0081	Menukey Addition Kit (EC401)	Obsolete - No Replacement	
10H0084	Cavity Stiffening Kit	Obsolete - No Replacement	
10H0126	Hot Air Motor Assy Kit	Obsolete - No Replacement	
10M0104	Control Panel Assembly - 650mm	Obsolete - No Replacement	
11C0161	Hot Air Motor Assy 50Hz	Obsolete - No Replacement	
11C0162	Stirrer Motor S/Assy	Obsolete - No Replacement	
11C0163	Stirrer Glass S/Assy	Obsolete - No Replacement	
11C0166	Hinge Assembly - RH - CTM2/3	Obsolete - No Replacement	
11C0167	Hinge Assembly - LH - CTM2/3	Obsolete - No Replacement	
11C0170	Door Assembly - CTM2/3	Obsolete - No Replacement	
11C0186	Stirrer Motor Bracket AS	Obsolete - No Replacement	
11C0212	PCB Assembly - Relay CTM3	Obsolete - No Replacement	
11C0213	PCB Assembly - Logic CTM3	Obsolete - No Replacement	See Note-1 Below
11C0216	Wiring Loom Mealstream S5	Obsolete - No Replacement	
11C0253	Thermocouple Assy	Obsolete - No Replacement	
11C0258	Preventative Maint Kit	Obsolete - No Replacement	
<a href="#">11C0266</a>	HT Diode Assembly - CTM3	Obsolete - No Replacement	
11C0267	Control PCB Assembly - CTM	Obsolete - No Replacement	
11C0268	Membrane Panel Assy CTM3	Obsolete - No Replacement	
11C0273	Foot Repair Kit	Obsolete - No Replacement	
11C0279	Door Arm Stop Assembly	Obsolete - No Replacement	
11C0285	Microaire Series 5 Logic Assy	Obsolete - No Replacement	
11C0286	Microaire Series 5 Relay Assy	Obsolete - No Replacement	
11C0291	Meal Series 5 Logic PCB Assy	Obsolete - No Replacement	
11C0292	CTM3 Door Seal Set	Obsolete - No Replacement	
11C0293	Control Panel Assy Series 5 (Blue)	Obsolete - No Replacement	
11C0294	Membrane Assembly Series 5 (Red/Grey)	Obsolete - No Replacement	
11C0295	CD2 CTL Mealstream PCB Assy	Obsolete - No Replacement	
11C0300	Door Arm Assy	Obsolete - No Replacement	
11C0301	Temperature Sensor Pocket	Obsolete - No Replacement	
11C0302	Mains Lead Assy - 32A 3	Obsolete - No Replacement	
11C0303	Door Frame Assy Sub	Obsolete - No Replacement	
11C0304	Door Outer Cover Assy	Obsolete - No Replacement	
11C0309	CD2 Substrate Assy Blue	Obsolete - No Replacement	
11C0310	Membrane Assy Blue	Obsolete - No Replacement	
<a href="#">11C0311</a>	Side Baffle Assy	Obsolete - No Replacement	
11C0319	Stirrer Glass Assy USA	Obsolete - Use <a href="#">P11C0319</a>	Only 'P' Prefix Change
11C0320	Mains Lead Assy 3 Core U 30 Amp 2P+Gnd	Obsolete - No Replacement	
11C0323	Resistor Drop Assy 240V	Obsolete - No Replacement	
11C0324	Stirrer Motor Assy Wide	Obsolete - No Replacement	
11C0331	Meal 501 Logic TH 1/4 Lo	Obsolete - No Replacement	
11C0332	Control Panel Assy US Spec	Obsolete - No Replacement	
11C0333	Membrane Assy US Spec	Obsolete - No Replacement	
11C0335	Door Outer Cover USA	Obsolete - No Replacement	
11C0336	Door Assembly USA Mealstream	Obsolete - No Replacement	
11C0342	Menukey Cable Assy Meals	Obsolete - No Replacement	
11C0377	Mealstream 501 Logic PCB	Obsolete - No Replacement	
11C0379	Meal 501 Mem Pan Assy MK	Obsolete - No Replacement	
11C0380	Door Assembly USA Mealstream	Obsolete - No Replacement	
11C0381	Door Outer Cover US TH	Obsolete - No Replacement	
11C0382	Mealstream 501 Logic PCB	Obsolete - No Replacement	
11C0402	CTM5 Relay PCB Assembly	Obsolete - No Replacement	
11C0403	Relay PCB Assy 240V	Obsolete - No Replacement	
11C0406	CD2 Knob Assembly	Obsolete - No Replacement	
11C0411	Meal 501 Logic TH 1/4 Lo	Obsolete - No Replacement	
11C0412	Control Panel Assy	Obsolete - No Replacement	
11C0413	Membrane on Substrate	Obsolete - No Replacement	
11C0414	Membrane On Subs 1/4 UN	Obsolete - No Replacement	

Merrychef Obsolete - Replacement Parts List

Part No.	Description	Status	Comments
11C0438	Membrane Assy Blue MK	Obsolete - No Replacement	
11C0478	HT Diode PCB Assy (Earth+HT)	Obsolete - No Replacement	
11C0480	Door Arm Stop (Hexagon P	Obsolete - No Replacement	
11C0484	EC501/2/3 Accessories Pack	Obsolete - No Replacement	
11C0488	501 Wiring Loom- Merrych	Obsolete - No Replacement	
11C0489	HT Diode + Led PCB Assy	Obsolete - No Replacement	
11C0491	Mains Lead Assy 3 Core US	Obsolete - No Replacement	
11C0493	EC503 Removable Catalyst	Obsolete - Use P11C0493	Only 'P' Prefix Change
11C0497	Cavity Vent Pipe Wrapped	Obsolete - No Replacement	
11C0498	Steam Pipe Wrapped Assy	Obsolete - No Replacement	
11C0511	Display Adaptor	Obsolete - No Replacement	
11C0512	Relay PCB For NGO	Obsolete - No Replacement	
11C0513	Ethernet Coms PCB	Obsolete - No Replacement	
11C0514	501 Cavity Assy Ngo	Obsolete - No Replacement	
11C0520	Door Arm Assy	Obsolete - No Replacement	
11C0521	Short Temperature Pocket	Obsolete - No Replacement	
11C0522	Stirrer Motor Assy	Obsolete - No Replacement	
11C0526	Hot Air Motor Assy Ceramic	Obsolete - No Replacement	
11C0527	Dil Shadow Flash Assy	Obsolete - No Replacement	
11C0528	Membrane On Substrate	Obsolete - No Replacement	
11C0529	Ethernet Cable	Obsolete - No Replacement	
11C0530	NGO DC Cable Set	Obsolete - No Replacement	
11C0532	Heater SSR Loom	Obsolete - No Replacement	
11C0535	THV2 Stirrer MTR & Mount	Obsolete - Use P11C0535	Only 'P' Prefix Change
11C0536	THV2 Stirrer Mount Assy	Obsolete - Use P11C0536	Only 'P' Prefix Change
11C0537	THV2 Stirrer Gear & Shaft	Obsolete - Use P11C0537	Only 'P' Prefix Change
11C0538	RH Interlock Assy	Obsolete - No Replacement	
11C0539	THV2 LH Interlock Assy	Obsolete - No Replacement	
11C0541	THV2 Logic Control PCB A	Obsolete - No Replacement	
11C0542	Auto Voltage Heater Loom	Obsolete - No Replacement	
11C0543	Auto Voltage Relay Loom A	Obsolete - No Replacement	
11C0544	Auto Voltage Relay Loom	Obsolete - No Replacement	
11C0545	TH Communications Serial	Obsolete - No Replacement	
11C0547	THV2 Logic PCB Assy	Obsolete - No Replacement	
11C0548	Stirrer Motor Assy THV2	Obsolete - No Replacement	
11C0550	THV2 Control Panel Assy	Obsolete - No Replacement	
11C0551	THV2 Gold Resistor Assy	Obsolete - No Replacement	
11C0556	Capacitor Filter Assy	Obsolete - No Replacement	
11C0582	20 Way Ribbon Cable Assy	Obsolete - No Replacement	
11E0081	Ribbon Connector 10 Way	Obsolete - No Replacement	Product Change - Stock of 11E0081 can still be used until depleted
11H0002	Relay Power PCB Assembly	Obsolete - No Replacement	
11H0003	Membrane Assy (Grey/Red)	Obsolete - Use P11M0388	Product Change - Stock of 11H0003 can still be used until depleted
11H0007	Partition Plate Kit	Obsolete - No Replacement	
11H0008	Modification Kit - Microaire	Obsolete - No Replacement	
11H0010	HT Diode Assembly	Obsolete - Use P11H0010	Only 'P' Prefix Change
11H0024	Membrane Assy Maire 5	Obsolete - No Replacement	
11H0025	Filter Wire Assy	Obsolete - No Replacement	
11H0027	Microaire CD2 PCB Assy	Obsolete - No Replacement	
11H0031	Microaire Solid Door Assembly	Obsolete - No Replacement	
11H0033	Microswitch Assy	Obsolete - No Replacement	
11H0036	Axial Fan Assy	Obsolete - No Replacement	
11H0050	Waveguide Cover Assy	Obsolete - No Replacement	
11H0058	HT Diode PCB Assy	Obsolete - No Replacement	
11H0059	CD2 Control Assy Blue	Obsolete - No Replacement	
11H0060	Membrane Assy Blue	Obsolete - No Replacement	
11H0066	401 EC MK Logic PCB Assy	Obsolete - No Replacement	
11H0067	401 EC MK Membrane Panel	Obsolete - No Replacement	
11H0068	401 EC MK Control Assy X	Obsolete - No Replacement	
11H0069	401 EC MK Control Assy E	Obsolete - No Replacement	
11H0071	Solid Door Assy Black	Obsolete - No Replacement	
11H0072	EC401 MK CTRL Assy XX5 H	Obsolete - No Replacement	
11H0073	EC401 MK Membrane Panel	Obsolete - No Replacement	
11H0076	Turntable Motor (Drilled)	Obsolete - No Replacement	
11H0077	401 - S/Sate Relay PCB	Obsolete - No Replacement	
11H0079	Suppressor Assy (EC401 C	Obsolete - No Replacement	
11H0080	Membrane Assy SBK (Blue)	Obsolete - No Replacement	
11H0082	EC401 BLK/WHT Wire Assy	Obsolete - No Replacement	
11H0086	EC403 - Cat Assy (Removal)	Obsolete - No Replacement	
11H0091	Fan + Suppressor Assy	Obsolete - No Replacement	
11H0098	401/3 Dual Phase Bracket	Obsolete - No Replacement	
11H0101	401 MK Membrane Panel	Obsolete - No Replacement	
11H0103	EC400 MK Membrane US	Obsolete - No Replacement	
11H0107	EC400 Primary Monitor Sw	Obsolete - No Replacement	
11H0119	Temperature Adjustment A	Obsolete - No Replacement	
11H0122	Gold Resistor Brk Assy	Obsolete - No Replacement	
11H0130	400 Series Ceramic Plate	Obsolete - No Replacement	
11H0288	Solid Stat Relay Kit	Obsolete - No Replacement	
11H0289	Cooling Fan & Turntable Mtr Mod Kit	Obsolete - No Replacement	
11K0002	Impinger Logic PCB (V2 & V2.5)	Obsolete - No Replacement	
11K0004	MAI Relay PCB	Obsolete - No Replacement	
11K0005	EC402s Menukey Module As	Obsolete - No Replacement	
11K0012	402S LD Logic PCB Assy V3	Obsolete - No Replacement	
11K0013	402s Fibre Optic Board	Obsolete - No Replacement	
11K0026	Autovoltage And Freq Detect	Obsolete - No Replacement	
11M0104	Control Panel Assembly 650mm	Obsolete - No Replacement	
11M0107	PCB Assembly - Universal	Obsolete - Use P11M0107	Only 'P' Prefix Change
11M0108	Switch Panel Assembly (5	Obsolete - Use P11M0387	Product Change - Stock of 11M0109 can still be used until depleted

Merrychef Obsolete - Replacement Parts List

Part No.	Description	Status	Comments
11M0109	SW Panel Assy (500v)	Obsolete - No Replacement	
11M0110	SW Panel Assy (600m)	Obsolete - No Replacement	
11M0113	Relay PCB Assembly	Obsolete - Use P11M0427	Product Change - Stock of 11M0113 can still be used until depleted
11M0116	AC Voltage Connector 6 Way	Obsolete - Use 31Z0585	Product Change - Stock of 11M0116 can still be used until depleted
11M0117	DC Voltage Connector 10 Way (Long)	Obsolete - Use 31Z0586	Product Change - Stock of 11M0117 can still be used until depleted
11M0140	Stirrer Assy	Obsolete - Use P11M0140	Only 'P' Prefix Change
11M0156	Mains Filter Assembly	Obsolete - Use P11M0156	Only 'P' Prefix Change
11M0250	Tuning Stub Kit	Obsolete - Use P11M0250	Only 'P' Prefix Change
11M0252	Preventative Maint Kit -	Obsolete - No Replacement	
11M0258	Door Assembly - 650	Obsolete - No Replacement	
11M0260	PCB Assy - Relay Turboaire	Obsolete - Use P11M0430	Product Change - Stock of 11M0260 can still be used until depleted
11M0261	PCB Assembly Fan Control	Obsolete - Use P11M0261	Only 'P' Prefix Change
11M0262	Lamp Assembly - Microcook	Obsolete - Use P11M0262	Only 'P' Prefix Change
11M0267	Oven Base Assy - LH	Obsolete - Use P11M0267	Only 'P' Prefix Change
11M0268	Oven Base Assy - RH	Obsolete - Use P11M0268	Only 'P' Prefix Change
11M0270	Rear Cover Assy (650)	Obsolete - No Replacement	
11M0271	Switch Membrane Assy	Obsolete - Use P11M0388	Product Change - Stock of 11M0271 can still be used until depleted
11M0274	Roof Assembly Turboaire	Obsolete - No Replacement	
11M0285	Relay PCB Microcook CD	Obsolete - Use P11M0285	Only 'P' Prefix Change
11M0299	Membrane Assy - Turboaire (Red/Grey)	Obsolete - No Replacement	
11M0302	Door Assembly - 500mm (Red/Grey)	Obsolete - Use P11M0392	Product Change - Stock of 11M0302 can still be used until depleted
11M0322	Relay PCB Assembly	Obsolete - Use P11M0427	Product Change - Stock of 11M0322 can still be used until depleted
11M0333	Filtered Wire Assy	Obsolete - Use P11M0333	Only 'P' Prefix Change
11M0343	HT Diode Assy (PCB Type)	Obsolete - No Replacement	
11M0344	Heater Element Assy - Turboaire	Obsolete - Use P11M0344	Only 'P' Prefix Change
11M0350	1.1uF 2300V Capacitor	Obsolete - Use 30Z1242	Product Change - Stock of 11M0350 can still be used until depleted
11M0351	1.25uF Capacitor Mod Kit	Obsolete - Use P11M0351	Only 'P' Prefix Change
11M0352	MC/MD Membrane Assembly (Red/Grey)	Obsolete - Use P11M0384	Product Change - Stock of 11M0352 can still be used until depleted
11M0353	Spring Kit 6 Leaf	Obsolete - Use 11M0432	Product Change - Stock of 11M0353 can still be used until depleted
11M0354	Spring Kit 7 Leaf (650)	Obsolete - Use 11M0433	Product Change - Stock of 11M0354 can still be used until depleted
11M0359	PCB Assy - Turboaire Logic	Obsolete - Use P11M0359	Only 'P' Prefix Change
11M0360	10 Way Lead Assy With Fe	Obsolete - No Replacement	
11M0363	Mains Filter Assy-Twin	Obsolete - No Replacement	
11M0364	VCK Diode Monitor PCB Assy	Obsolete - Use P11M0364	Only 'P' Prefix Change
11M0367	VCK HT Diode Assembly	Obsolete - No Replacement	
11M0385	Membrane Assy Blue	Obsolete - No Replacement	
11M0386	Membrane Assy Blue	Obsolete - Use P11M0386	Only 'P' Prefix Change
11M0387	Membrane Assy Blue	Obsolete - Use P11M0387	Only 'P' Prefix Change
11M0388	Membrane Assy Blue	Obsolete - Use P11M0388	Only 'P' Prefix Change
11M0389	Membrane Assy Blue	Obsolete - No Replacement	
11M0390	Membrane Assy Blue	Obsolete - No Replacement	
11M0391	650 Door Assy Blue	Obsolete - Use P11M0391	Only 'P' Prefix Change
11M0392	Diecast Door Assy Blue	Obsolete - Use P11M0392	Only 'P' Prefix Change
11M0393	Die Cast Door KFC Assy	Obsolete - Use P11M0393	Only 'P' Prefix Change
11M0394	KFC Microcook Membrane Assy	Obsolete - Use P11M0394	Only 'P' Prefix Change
11M0400	KFC Wiring Loom Upgrade	Obsolete - No Replacement	
11M0401	KFC Wiring Loom For 11m0	Obsolete - No Replacement	
11M0412	Microcook Membrane Assy	Obsolete - No Replacement	
11M0416	Microcook HD Optic Logic	Obsolete - Use P11M0416	Only 'P' Prefix Change
11M0417	HT Diode Assy (Earth+HT)	Obsolete - Use P11M0417	Only 'P' Prefix Change
11M0423	Diecast Door Assy (Feaspoint)	Obsolete - Use P11M0423	Only 'P' Prefix Change
11M0426	22R Gold Resistor Assy	Obsolete - Use P11M0426	Only 'P' Prefix Change
11M0427	Relay Board MK2 (Bridge Rectifier)	Obsolete - Use P11M0427	Only 'P' Prefix Change
11M0428	Suppressor Assy + Splice	Obsolete - No Replacement	
11M0429	T-Aire Suppressor Assy	Obsolete - No Replacement	
11M0430	Relay Pcb T-Aire (Bridge Rectifier)	Obsolete - Use P11M0430	Only 'P' Prefix Change
11M0431	1 To 2 Way Male Tab Assy	Obsolete - Use P11M0431	Only 'P' Prefix Change
11M0440	HD1925 USA Relay PCB Ass	Obsolete - Use P11M0440	Only 'P' Prefix Change
11M0445	HD1925 USA Logic PCB Ass	Obsolete - No Replacement	
11M4334	1804 Assy Door	Obsolete - No Replacement	
11Z0140	Door Guide Assembly - LH	Obsolete - Use P11Z0140	Only 'P' Prefix Change
11Z0142	Door Guide Assembly - RH	Obsolete - Use P11Z0142	Only 'P' Prefix Change
11Z0298	15 Way 0.1 Ribbon Cable	Obsolete - No Replacement	
20Z0499	Seal Vertical 500	Obsolete - Use P40M0927	Product Change - Stock of 20Z0499 can still be used until depleted
20Z1355	Shelf - 500mm Oven	Obsolete - Use P20Z1355	Only 'P' Prefix Change
2243033	Spacer - PCB Support	Obsolete - No Replacement	
2561013	Motor Assy 55137 6390K00	Obsolete - No Replacement	
2571016	Thermal Cut Out 125C	Obsolete - No Replacement	
2741023	Motor Shaft - Insulated	Obsolete - No Replacement	
2747049	Motor Mounting Board	Obsolete - No Replacement	
30M0006	Outer Door Glass	Obsolete - No Replacement	
30M0016	Door Choke Cover	Obsolete - Use P30M0016	Only 'P' Prefix Change
30M0027	Stirrer And Roof Assembl	Obsolete - Use P30M0027	Only 'P' Prefix Change
30M0033	HT Transformer J1338	Obsolete - Use P30M0033	Only 'P' Prefix Change
30M0035	HT Transformer J1342	Obsolete - Use P30M0035	Only 'P' Prefix Change
30M0048	MD Cooling Fan Assy	Obsolete - Use P30M0048	Only 'P' Prefix Change
30M0061	Magnetron Panasonic 2M24	Obsolete - Use P30M0061	Only 'P' Prefix Change
30M0082	Oven Shelf Mc Series	Obsolete - Use P30M0082	Only 'P' Prefix Change
30Z0088	Thermal Trip 140Deg	Obsolete - No Replacement	
30Z0168	Fuse 1in 13Amp	Obsolete - Use 30Z0456	Product Change - Stock of 30Z0168 can still be used until depleted
30Z0240	Microswitch	Obsolete - Use 30Z1459	Product Change - Stock of 30Z0240 can still be used until depleted
30Z0264	Magnetron 2M219H	Obsolete - Use 30Z1349	Product Change - Stock of 30Z0264 can still be used until depleted
30Z0270	Mag Cooling Fan	Obsolete - Use 30Z1449	Product Change - Stock of 30Z0270 can still be used until depleted
30Z0283	470R 50W 5% AC	Obsolete - No Replacement	
30Z0289	Magnetron 2M218H	Obsolete - Use 30Z1349	Product Change - Stock of 30Z0289 can still be used until depleted
30Z0368	Fuse 20mm 0,25A Anti Sur	Obsolete - No Replacement	
30Z0392	Axial Fan	Obsolete - No Replacement	

Merrychef Obsolete - Replacement Parts List

Part No.	Description	Status	Comments
30Z0861	.88uF 2300V Capacitor	Obsolete - Use <a href="#">30Z1330</a>	Product Change - Stock of 30Z0861 can still be used until depleted
30Z0957	Fuse 1x1/4in 1A HBC (MAI	Obsolete - No Replacement	
30Z0989	1.1 uF 2300V Capacitor (MC/MD1800)	Obsolete - No Replacement	
30Z0991	Timer - Mealstream CD	Obsolete - No Replacement	
30Z0992	H/V Transformer 240V	Obsolete - Use <a href="#">30Z1233</a>	Product Change - Stock of 30Z0992 can still be used until depleted
30Z0997	16AMP Filter	Obsolete - Use <a href="#">30Z1340</a>	Product Change - Stock of 30Z0997 can still be used until depleted
30Z1023	2kw Heater Element	Obsolete - No Replacement	
30Z1024	Over Heat Safety Stat (Oven)	Obsolete - No Replacement	
30Z1031	Thermal Trip 200C	Obsolete - No Replacement	
30Z1067	Double Blower Fan 50Hz	Obsolete - No Replacement	
30Z1069	Twisted Pair Cable 22Ga	Obsolete - No Replacement	
30Z1077	1.1 uF 2300V Capacitor	Obsolete - Use <a href="#">30Z1331</a>	Product Change - Stock of 30Z1077 can still be used until depleted
30Z1128	230V 50Hz Scroll Fan	Obsolete - No Replacement	
30Z1145	Double Blower Fan 208V 6	Obsolete - No Replacement	
30Z1155	Block Transformer B0012024	Obsolete - No Replacement	
30Z1164	39R 50W 5% WW	Obsolete - No Replacement	
30Z1165	50R 50W 5% WW	Obsolete - No Replacement	
30Z1171	Magnetron 2M244-M12	Obsolete - Use <a href="#">P30Z1171</a>	See Note-2 Below
30Z1176	Microswitch V5S010Cb 22	Obsolete - Use <a href="#">30Z1486</a>	Product Change - Stock of 30Z1176 can still be used until depleted
30Z1190	Mag Cooling Fan Xx5 220V	Obsolete - No Replacement	
30Z1230	60Hz Trans Multi 208 220	Obsolete - Use <a href="#">P30Z1230</a>	Only 'P' Prefix Change
30Z1233	50Hz Trans Multi 208 221	Obsolete - Use <a href="#">P30Z1233</a>	Only 'P' Prefix Change
30Z1241	1.0uF 2500V Capacitor	Obsolete - Use <a href="#">30Z1331</a>	Product Change - Stock of 30Z1241 can still be used until depleted
30Z1242	1.1uF 2500V Capacitor	Obsolete - Use <a href="#">30Z1333</a>	Product Change - Stock of 30Z1242 can still be used until depleted
30Z1244	Supressor 0.1uF 100R Wire	Obsolete - No Replacement	
30Z1250	0.75uF 2500V Capacitor	Obsolete - Use <a href="#">30Z1329</a>	Product Change - Stock of 30Z1250 can still be used until depleted
30Z1251	0.88uF 2500V Capacitor	Obsolete - Use <a href="#">30Z1330</a>	Product Change - Stock of 30Z1251 can still be used until depleted
30Z1292	Convection Motor	Obsolete - No Replacement	
30Z1294	Microswitch with Roller	Obsolete - Use <a href="#">30Z1465</a>	Product Change - Stock of 30Z1294 can still be used until depleted
30Z1295	Magnetron Cooling Fan	Obsolete - No Replacement	
30Z1297	Power Switch	Obsolete - No Replacement	
30Z1298	Capacitor - Motor Start	Obsolete - No Replacement	
30Z1299	Itron Display 140 x 32	Obsolete - No Replacement	
30Z1300	Thermistor Sensor 50K NTC	Obsolete - No Replacement	
30Z1304	S/Steel Thermistor 150mm	Obsolete - No Replacement	
30Z1309	2Meg SPI Tokens (SLIM)	Obsolete - No Replacement	
30Z1315	Thermistor 150mm + Lead	Obsolete - No Replacement	
30Z1318	2 Pole round Rocker Switch	Obsolete - No Replacement	
30Z1324	Itron Display 256 X 64	Obsolete - No Replacement	
30Z1349	Magnetron 2M248H-B	Obsolete - Use <a href="#">P30Z1349</a>	Only 'P' Prefix Change
30Z1362	Crydom Solid State Relay	Obsolete - No Replacement	
30Z1368	HT Transformer 200V50Hz	Obsolete - No Replacement	
30Z1375	Crydom Relay CSW2450 FPH	Obsolete - No Replacement	
30Z1376	Magnetic Reed Switch	Obsolete - No Replacement	
30Z1377	Contactor S1720 C230 300	Obsolete - No Replacement	
30Z1391	Omron Relayg8P-1C2T-F12D	Obsolete - Use <a href="#">30Z1495</a>	Product Change - Stock of 30Z1391 can still be used until depleted
30Z1395	Microswitch Button Plug	Obsolete - No Replacement	
30Z1396	Micrswitch Short Lever	Obsolete - No Replacement	
30Z1397	Ecofit Cooling Fan	Obsolete - No Replacement	
30Z1402	Bussmann 1.6A S505-1 6-R	Obsolete - No Replacement	
30Z1413	230V 50Hz Transformer	Obsolete - Use <a href="#">P30Z1413</a>	Only 'P' Prefix Change
30Z1415	Toshiba Magnetron 2M303H	Obsolete - Use <a href="#">P30Z1415</a>	Only 'P' Prefix Change
30Z1417	Cooling Fan 401/3 208V U	Obsolete - No Replacement	
30Z1418	Ecofit Cooling Fan	Obsolete - Use <a href="#">PSX286</a>	Product Change - Stock of 30Z1418 can still be used until depleted
30Z1419	Thermister	Obsolete - No Replacement	
30Z1449	Blower Fan & Motor HD	Obsolete - Use <a href="#">P30Z1449</a>	Only 'P' Prefix Change
30Z1429	Block Trans 208/240V	Obsolete - No Replacement	
30Z1436	300degC Overheat Stat	Obsolete - No Replacement	
30Z1441	Solid Stat Relay Crydom	Obsolete - No Replacement	
30Z1454	Transformer LV Class 2	Obsolete - Use <a href="#">30Z1455</a>	Product Change - Stock of 30Z1454 can still be used until depleted
30Z1465	Microswitch with Roller 402s	Obsolete - No Replacement	
30Z1472	Magnetron 2M248E-B	Obsolete - Use <a href="#">P30Z1472</a>	Only 'P' Prefix Change
30Z1478	e2 Cavity Thermocouple	Obsolete - Use <a href="#">SJ358</a>	Product Change - Stock of 30Z1478 can still be used until depleted
30Z1502	e2 USA 15A Fuse	Obsolete - Use <a href="#">30Z1526</a>	Product Change - Stock of 30Z1502 can still be used until depleted
30Z1506	e2 USA 20A Fuse	Obsolete - Use <a href="#">30Z1527</a>	Product Change - Stock of 30Z1506 can still be used until depleted
30Z5000	SRB 402s/500	Obsolete - Use <a href="#">P30Z5000</a>	Only 'P' Prefix Change
30Z5002	Touch Screen BTS UI	Obsolete - Use <a href="#">P30Z5009</a>	Product Change - Stock of 30Z5002 can still be used until depleted
30Z5008	HT Diode Board eikon	Obsolete - Use <a href="#">30Z5013</a>	Product Change - Stock of 30Z5008 can still be used until depleted
30Z5009	Touch Screen BTS UI	Obsolete - Use <a href="#">P30Z5009</a>	Product Change - Stock of 30Z5009 can still be used until depleted
30Z5013	HT Diode 750mA	Obsolete - Use <a href="#">PSR109</a>	Product Change - Stock of 30Z5013 can still be used until depleted
30Z5021	Control PCB Uni SRB	Obsolete - Use <a href="#">P30Z5021</a>	Only 'P' Prefix Change
310010	Fan 80mm 240V Axial	Obsolete - No Replacement	
310110	Double Blower Motor Assy	Obsolete - No Replacement	
313020	Control Knob 36mm Black	Obsolete - No Replacement	
313030	D Shaft Adaptor Control	Obsolete - No Replacement	
313160	Control Knob Skirt Red	Obsolete - No Replacement	
313220	Control Knob Cap 36mm Red	Obsolete - No Replacement	
314401	Conduit 20mm Flexible	Obsolete - Use <a href="#">31Z1275</a>	Product Change - Stock of 314401 can still be used until depleted
314402	25mm Flexibl Conduit	Obsolete - No Replacement	
314420	Elbow Connector 20mm	Obsolete - Use <a href="#">31Z1285</a>	Product Change - Stock of 314420 can still be used until depleted
314422	Straight Connector 20mm	Obsolete - Use <a href="#">31Z1276</a>	Product Change - Stock of 314422 can still be used until depleted
314452	Locking Ring 20mm Grey	Obsolete - Use <a href="#">31Z1256</a>	Product Change - Stock of 314452 can still be used until depleted
316030	Neon Red 240V	Obsolete - No Replacement	
316031	Neon Amber 240V	Obsolete - No Replacement	
31Z0126	Delta Filter	Obsolete - No Replacement	
31Z0149	6 Way Mains Terminal Blo	Obsolete - No Replacement	
31Z0166	3 Way Terminal Block	Obsolete - Use <a href="#">31Z0630</a>	Product Change - Stock of 31Z0166 can still be used until depleted

Merrychef Obsolete - Replacement Parts List

Part No.	Description	Status	Comments
31Z0220	Moulded Plug & Cable	Obsolete - Use 31Z0604	Product Change - Stock of 31Z0220 can still be used until depleted
31Z0328	3 Way Terminal Block	Obsolete - No Replacement	
31Z0349	Pushbutton DPST Momentar	Obsolete - No Replacement	
31Z0499	Cable Gland Nut	Obsolete - No Replacement	
31Z0500	Cable Gland Large	Obsolete - No Replacement	
31Z0531	Moulded Plug & Cable 3MT	Obsolete - Use 31Z0605	Product Change - Stock of 31Z0531 can still be used until depleted
31Z0573	12Way Terminal Block	Obsolete - No Replacement	
31Z0623	Gold Resistor 270R	Obsolete - No Replacement	
31Z0625	CD Potentiometer Assy	Obsolete - No Replacement	
31Z0627	Wire Loom for 11H0008	Obsolete - No Replacement	
31Z0628	Connector Lead 3 Way	Obsolete - No Replacement	
31Z0637	Wire Assy 500mm	Obsolete - No Replacement	
31Z0638	Wire Assy 550mm	Obsolete - No Replacement	
31Z1150	Rubber Sto-Type 18	Obsolete - No Replacement	
31Z1216	Grey Knob Skirt for CD2	Obsolete - No Replacement	
31Z1217	Grey Cap for Knob CD2 BL	Obsolete - No Replacement	
31Z1232	Rolled Pin 4.3mm x 16.4	Obsolete - No Replacement	
31Z1236	Rubber Disk 3.5mm x 20.4	Obsolete - No Replacement	
31Z1245	EC403 Cat Converter	Obsolete - No Replacement	
31Z1247	Microswitch Spring Inter	Obsolete - No Replacement	
31Z1248	White Nylon Blank 9mm	Obsolete - No Replacement	
31Z1257	5 Core Mains Supply Lead	Obsolete - No Replacement	
31Z1265	Handle Sleeve - Air Filter	Obsolete - No Replacement	
31Z1276	Straight M20-20mm Connector	Obsolete - No Replacement	
31Z1282	Square End Cap	Obsolete - No Replacement	
31Z1292	Top Stirrer Coupling	Obsolete - No Replacement	
31Z1295	Shaft Coupling	Obsolete - No Replacement	
31Z1297	Spacer Hot Air Motor	Obsolete - No Replacement	
31Z1325	e2 Grease Fit 81x257x2.2	Obsolete - Use SJ310	Product Change - Stock of 31Z1325 can still be used until depleted
31Z1327	Air Filter 5x13 10x9	Obsolete - Use SJ371	Product Change - Stock of 31Z1327 can still be used until depleted
31Z1388	Spring	Obsolete - No Replacement	
31Z1389	Switch Body	Obsolete - No Replacement	
31Z1390	Switch Actuator	Obsolete - No Replacement	
31Z1391	Switch Stop	Obsolete - No Replacement	
31Z2055	Label - Hot Warning	Obsolete - Use 31Z2117	Product Change - Stock of 31Z2055 can still be used until depleted
31Z3144	M30x8 Big Head (Door Arm)	Obsolete - No Replacement	
31Z3150	M4x8 Low Profile PH Screw	Obsolete - No Replacement	
31Z5044	RFI Gasket 25.4mm x 11.5	Obsolete - No Replacement	
31Z7071	402s Frm V3-V3+FO+SSR+EM	Obsolete - No Replacement	
31Z7072	402s Frm V3+FO+SSR+EMD	Obsolete - No Replacement	
31Z7073	402s Frm Key V4.4 US	Obsolete - No Replacement	
31Z0124	Insulation Wrap Steam	Obsolete - No Replacement	
32Z1052	Adjustable Foot for US	Obsolete - No Replacement	
32Z1066	Handle for 402S	Obsolete - Use DV0431	Product Change - Stock of 32Z1066 can still be used until depleted
32Z4029	Paddle Peel Pizza	Obsolete - Use SR310	Product Change - Stock of 32Z4029 can still be used until depleted
32Z4047	e2 Pizza Paddle	Obsolete - Use SR312	Product Change - Stock of 32Z4047 can still be used until depleted
341520	Bridge Rectifier 25A 800	Obsolete - No Replacement	
40C0681	Botton Trim	Obsolete - No Replacement	
40C0682	Heat Insulator	Obsolete - No Replacement	
40C0685	Door Handle - CTM2/3	Obsolete - No Replacement	
40C0752	Rooler Mealstream	Obsolete - No Replacement	
40C0825	Temp Sensor Pocket	Obsolete - No Replacement	
40C0850	Door Arm - CTM3	Obsolete - No Replacement	
40C0868	Air Filter Panel - CTM3	Obsolete - No Replacement	
40C0887	Stop - Door Arm	Obsolete - No Replacement	
40C0888	Bracket - Door Arm Stop	Obsolete - No Replacement	
40C0892	5K Lin Pot Panel Mount	Obsolete - No Replacement	
40C0899	Microaire Membrane Panel	Obsolete - No Replacement	
40C0931	Substrate Panel CTM3 - 5	Obsolete - No Replacement	
40C0934	Duct Adaptor Twin Fan	Obsolete - No Replacement	
40C0935	CD2 Mealstream Substrate	Obsolete - No Replacement	
40C0942	Cavity Insulation Set Mealstream	Obsolete - No Replacement	
40C0945	Mealstream EC501 Membrane Blue	Obsolete - No Replacement	
40C0946	Mealstream RD501 Overlay	Obsolete - No Replacement	
40C0948	Heater Element 3.0 Kw 240	Obsolete - No Replacement	
40C0949	Heater Element 3.0 Kw 208	Obsolete - No Replacement	
40C0950	Shelf Support CTM3 US	Obsolete - No Replacement	
40C1001	Steam Seal - Top	Obsolete - No Replacement	
40C1066	Membrane Panel Tim Hortons	Obsolete - No Replacement	
40C1067	Substrate Panel (Menukey)	Obsolete - No Replacement	
40C1084	Door Shim	Obsolete - No Replacement	
40C1085	Tim Hortons Pressed Name	Obsolete - No Replacement	
40C1086	Tim Hortons Outer Door C	Obsolete - No Replacement	
40C1087	Tim Hortons Nameplate Ba	Obsolete - No Replacement	
40C1089	Mealstream EC501 (US) ME	Obsolete - No Replacement	
40C1109	Tim Hortons Membrane 1/4 Opt-English	Obsolete - No Replacement	
40C1110	Tim Hortons Membrane 1/4 Opt-French	Obsolete - No Replacement	
40C1112	Tim Hortons Rack Support	Obsolete - No Replacement	
40C1113	Roof Corner Cap	Obsolete - No Replacement	
40C1138	Bracket (Long Spring)	Obsolete - No Replacement	
40C1141	Door Spring (Large) Mealstream	Obsolete - No Replacement	
40C1180	Mealstream 501 Backpanel	Obsolete - No Replacement	
40C1181	Mealstream 501 Lid	Obsolete - No Replacement	
40C1182	M/Stream 501 Side Panel LH	Obsolete - No Replacement	
40C1183	M/Stream 501 Side Panel RH	Obsolete - No Replacement	
40C1184	M/Stream 501 Front Pilla	Obsolete - No Replacement	
40C1185	M/Stream 501 Front Pilla	Obsolete - No Replacement	

Merrychef Obsolete - Replacement Parts List

Part No.	Description	Status	Comments
40C1186	Mealstream 501 Top Trim	Obsolete - No Replacement	
40C1201	Wave Trap - Hot Air Motor	Obsolete - No Replacement	
40C1213	Pillar - Door Arm Stop	Obsolete - No Replacement	
40C1234	EC501 MK (UK/EU) Membrane	Obsolete - No Replacement	
40C1247	Stud Repair Bracket	Obsolete - No Replacement	
40C1250	THV2 Temperature Sensor	Obsolete - No Replacement	
40C1260	Tim Hortons Bilingual	Obsolete - No Replacement	
40C1272	RH Interlock Bracket	Obsolete - No Replacement	
40C1273	LH Interlock Bracket	Obsolete - No Replacement	
40C1280	Back Panel	Obsolete - No Replacement	
40C1281	Centre Overlay Panel	Obsolete - No Replacement	
40C1282	Menukey Mount	Obsolete - No Replacement	
40C1290	Microswitch Spacer	Obsolete - No Replacement	
40C1291	Thv2 Cavity Insulation Set	Obsolete - No Replacement	
40C1303	Door Arm Mealstream 504	Obsolete - No Replacement	
40C1353	3 Coil DualHeater Element 3.0Kw 208V	Obsolete - No Replacement	
40C1418	e5 Cook tray PTFE Coated	Obsolete - Use <a href="#">P40C1423</a>	Product Change - Stock of 40C1418 can still be used until depleted
40H0009	Heater Element (3Kw 240V)	Obsolete - No Replacement	
40H0019	Venting Plate	Obsolete - No Replacement	
40H0023	Adjustment Bracket Micro	Obsolete - No Replacement	
40H0024	Bearing Switch Lever	Obsolete - No Replacement	
40H0025	Lever - Microswitch	Obsolete - No Replacement	
40H0074	Microaire Substrate SE	Obsolete - No Replacement	
40H0075	Microaire 5 Support Shield	Obsolete - No Replacement	
40H0076	Microaire Microswitch Gu	Obsolete - No Replacement	
40H0077	Heater Element 220V 3Kw	Obsolete - No Replacement	
40H0080	Microaire Outer Door Skin - Black	Obsolete - No Replacement	
40H0082	Microaire Outer Door Skin	Obsolete - No Replacement	
40H0083	Control Panel Retainer R	Obsolete - No Replacement	
40H0142	Temperature Sensor Pocket	Obsolete - No Replacement	
40H0165	Heater Element (3Kw 208V)	Obsolete - No Replacement	
40H0171	Mealstream EC401 Membrane (Blue)	Obsolete - No Replacement	
40H0172	Mealstream RD501 Overlay	Obsolete - No Replacement	
40H0174	Mag Cooling Fan Duct Bottom	Obsolete - No Replacement	
40H0176	Mag Fan Ducting Top	Obsolete - No Replacement	
40H0191	Mealstream EC401 MK Membrane	Obsolete - No Replacement	
40H0192	401 EC MK Substrate Panel	Obsolete - No Replacement	
40H0194	Mealstream 401 Airshield	Obsolete - No Replacement	
40H0216	Transformer Clamp Brkt	Obsolete - No Replacement	
40H0252	EC 401 BAKO Membrane Panel	Obsolete - No Replacement	
40H0261	EC401 Cavity Stiffening	Obsolete - No Replacement	
40H0262	Cast Turntable	Obsolete - Use <a href="#">40H03467</a>	Product Change - Stock of 40H0262 can still be used until depleted
40H0262F	Cast Turntable	Obsolete - Use <a href="#">40H03467</a>	Product Change - Stock of 40H0262F can still be used until depleted
40H0263	Partition Gasket Seal	Obsolete - No Replacement	
40H0267	Alumina Partition Plate	Obsolete - No Replacement	
40H0268	EC401-3 Membrane Deg F	Obsolete - No Replacement	
40H0285	Cavity Wrap Set (EC401)	Obsolete - No Replacement	
40H0320	Resistor Mount Bracket	Obsolete - No Replacement	
40H0333	Compression Stops	Obsolete - No Replacement	
40M0746	Choke Filler - Profile	Obsolete - Use <a href="#">P40M0931</a>	Product Change - Stock of 40M0746 can still be used until depleted
40M0747	Choke Filler - Vertical	Obsolete - Use <a href="#">P40M0924</a>	Product Change - Stock of 40M0747 can still be used until depleted
40M0748	Choke Filler - 500mm Horizontal	Obsolete - Use <a href="#">P40M0925</a>	Product Change - Stock of 40M0748 can still be used until depleted
40M0749	Choke Filler - 600mm Horiz	Obsolete - Use <a href="#">P40M0749</a>	Only 'P' Prefix Change
40M0832	Seal Box Launch	Obsolete - Use <a href="#">P40M0832</a>	Only 'P' Prefix Change
40M0853	Shelf (650mm Oven)	Obsolete - Use <a href="#">P40M0853</a>	Only 'P' Prefix Change
40M0858	Doorscreen Diecast 650 Door (Red/Grey)	Obsolete - Use <a href="#">P40M1054</a>	Product Change - Stock of 40M0858 can still be used until depleted
40M0861	Seal - Horizontal - 650	Obsolete - Use <a href="#">P40M0861</a>	Only 'P' Prefix Change
40M0862	Choke Filler 650mm Horiz	Obsolete - Use <a href="#">P40M0862</a>	Only 'P' Prefix Change
40M0923	Doorscreen Diecast Door (Red/Grey)	Obsolete - Use <a href="#">P40M1053</a>	Product Change - Stock of 40M0923 can still be used until depleted
40M0924	Choke Filler 500mm Vert	Obsolete - Use <a href="#">P40M0924</a>	Only 'P' Prefix Change
40M0925	Choke Filler 500mm Horiz	Obsolete - Use <a href="#">P40M0925</a>	Only 'P' Prefix Change
40M0926	Door Seal - 500mm Vertical	Obsolete - Use <a href="#">P40M0926</a>	Only 'P' Prefix Change
40M0927	Door Seal - 500mm Horizontal	Obsolete - Use <a href="#">P40M0927</a>	Only 'P' Prefix Change
40M0931	Choke Cover (Diecast Door)	Obsolete - Use <a href="#">P40M0931</a>	Only 'P' Prefix Change
40M0934	Bracket - Mains Filter	Obsolete - Use <a href="#">P40M0934</a>	Only 'P' Prefix Change
40M0956	Membrane Panel - MC Series (Red/Grey)	Obsolete - No Replacement	
40M1053	Doorscreen Diecast Door	Obsolete - Use <a href="#">P40M1053</a>	Only 'P' Prefix Change
40M1054	Doorscreen-650 (Blue)	Obsolete - Use <a href="#">P40M1054</a>	Only 'P' Prefix Change
41C0003	500 Door Seal Kit	Obsolete - Use <a href="#">P41C0003</a>	Only 'P' Prefix Change
41C0004	500 Air Filter	Obsolete - Use <a href="#">41C0018</a>	Product Change - Stock of 41C0004 can still be used until depleted
41C0016	Door Wrap Kit 500 Series	Obsolete - No Replacement	
50E123	Thermistor (Oven Temp Sensor)	Obsolete - No Replacement	
520000	Spring - R/angle Double	Obsolete - No Replacement	
790006	Door Frame Assembly - CT	Obsolete - No Replacement	
790007	Choke PlateEC501	Obsolete - No Replacement	
790008	Outer Panel - CTM2/3 Door	Obsolete - No Replacement	
790010	Pin - Door Arm Pivot - C	Obsolete - No Replacement	
790019	CTM3 Mealstream Cavity	Obsolete - No Replacement	
790024	Bracket - LH Hinge - CTM	Obsolete - No Replacement	
790025	Bracket - LH Hinge - CTM	Obsolete - No Replacement	
790027	Roller Shaft	Obsolete - No Replacement	
790042	Stirrer Insulation Plate	Obsolete - No Replacement	
790043	Stirrer Insulation Plate 2 Hole	Obsolete - No Replacement	
790044	Stirrer Insulation Plate 1 Hole	Obsolete - No Replacement	
790051	CTM2/3 Top Cavity Glass	Obsolete - No Replacement	
790052	Red Silicon Seal LH/RH	Obsolete - Use <a href="#">P790052</a>	Only 'P' Prefix Change
790053	Red Silicon Seal Front/Rear	Obsolete - Use <a href="#">P790053</a>	Only 'P' Prefix Change

Merrychef Obsolete - Replacement Parts List

Part No.	Description	Status	Comments
790056	Twin Fan Duct	Obsolete - No Replacement	
790058	Right Hand Screen	Obsolete - No Replacement	
790059	Baffle Plate	Obsolete - No Replacement	
790061	Steam Vent Guard	Obsolete - No Replacement	
790063	Heater Element 2.5Kw CTM	Obsolete - No Replacement	
790072	Rear Shield	Obsolete - No Replacement	
790076	Seal - Horizontal Door	Obsolete - No Replacement	
790077	Seal - Vertical Door	Obsolete - No Replacement	
CP30310	Motor Fixing Screw69	Obsolete - No Replacement	
CP30326	Baffle Plate Bolt(62)	Obsolete - No Replacement	
DB0094	e2s Cook Plate	Obsolete - Use <a href="#">PSB3108</a>	Product Change Replace Stock
DB0514	e2s Overlay	Obsolete - Use <a href="#">DB0618</a>	Product Change - Stock of DB0514 can still be used until depleted
DJ0076	e2/e6 Partition Plate	Obsolete - Use <a href="#">PSJ161</a>	Product Change - Stock of DJ0076 can still be used until depleted
DJ0079	e2/e6 Partition Gasket	Obsolete - Use <a href="#">PSJ161</a>	Product Change - Stock of DJ0079 can still be used until depleted
DR0005	4 Coil Heat Element Harm	Obsolete - See NOTE-3 Below	Product Change Replace Stock
DR0010	Merrychef Badge Seal	Obsolete - Use <a href="#">DR0047</a>	Product Change - Stock of DR0010 can still be used until depleted
DR0043	eikon Overheat Stat Large	Obsolete - Use <a href="#">DR0042</a>	Product Change - Stock of DR0043 can still be used until depleted
DR0060	e3/e4 Partition Plate	Obsolete - Use <a href="#">PSR122</a>	Product Change - Stock of DR0060 can still be used until depleted
DV0036	Control Panel 402s	Obsolete - No Replacement	
DV0037	Lower Trim Panel	Obsolete - No Replacement	
DV0039	Cooling Duct Rear LH Mag	Obsolete - No Replacement	
DV0040	Cooling Duct Rear RH Mag	Obsolete - No Replacement	
DV0055	Membrane Panel	Obsolete - No Replacement	
DV0058	Coolar - Heater Element	Obsolete - No Replacement	
DV0091	Side Panel LH	Obsolete - No Replacement	
DV0092	Side Panel RH	Obsolete - No Replacement	
DV0094	Top Trim (V1 Oven Only)	Obsolete - No Replacement	
DV0113	Impinger Rack	Obsolete - No Replacement	
DV0139	Hot Air Motor Gasket	Obsolete - No Replacement	
DV0156	Door Seal - 402s	Obsolete - No Replacement	
DV0168	Choke Plate Coated	Obsolete - Use <a href="#">DV0168VIT</a>	Product Change Replace Stock
DV0178	Stacking Plate 402s	Obsolete - No Replacement	
DV0192	Membrane Panel 402s WAWA	Obsolete - No Replacement	
DV0203	Seal - Ceramic Cover	Obsolete - Use <a href="#">DV0692</a>	Product Change Replace Stock
DV0225	Grease Filter Clip	Obsolete - No Replacement	
DV0227	Grease Filter Retain Plate	Obsolete - No Replacement	
DV0230	Grease Filter Handle	Obsolete - No Replacement	
DV0231	Ceramic Cover Drill Jig	Obsolete - No Replacement	
DV0249	Control Panel Assy V3	Obsolete - No Replacement	
DV0254	402s Membrane V3	Obsolete - No Replacement	
DV0275	Rack V3	Obsolete - Use <a href="#">DV0907</a>	Product Change - Stock of DV0275 can still be used until depleted
DV0305	Door Seal - 402s	Obsolete - No Replacement	
DV0309	402s Handle Spacer	Obsolete - No Replacement	
DV0328	Heater Elt 208V 650W	Obsolete - No Replacement	
DV0336	Heater Elt 220V 650W Watlow	Obsolete - No Replacement	
DV0337	Heater Elt 240V 650W Watlow	Obsolete - No Replacement	
DV0360	Base Electrics Box	Obsolete - No Replacement	
DV0361	Front Filter Assy	Obsolete - No Replacement	
DV0362	Reed Switch Bracket	Obsolete - No Replacement	
DV0364	Grease Filter Top Clip	Obsolete - No Replacement	
DV0366	Grease Filter Housing EO	Obsolete - No Replacement	
DV0372	Rubber Strip Wide	Obsolete - No Replacement	
DV0373	Rubber Strip Narrow	Obsolete - No Replacement	
DV0379	Cast Rear Ducting Rh	Obsolete - No Replacement	
DV0384	Base Filter Reed Switch	Obsolete - No Replacement	
DV0387	Front Installation Handle	Obsolete - No Replacement	
DV0388	Front Installation Handle	Obsolete - No Replacement	
DV0389	Rear Installation Handle	Obsolete - No Replacement	
DV0395	Secondary Air Filter	Obsolete - No Replacement	
DV0396	Impinger Resting Plate	Obsolete - No Replacement	
DV0397	Cast Rear Ducting RH	Obsolete - No Replacement	
DV0405	Paddle Plinth	Obsolete - No Replacement	
DV0414	402s Drilling Jig Top Impinger	Obsolete - No Replacement	
DV0416	Paddle Plinth Rubber Seal	Obsolete - No Replacement	
DV0447	Paddle Plinth Retainer P	Obsolete - No Replacement	
DV0492	Stirrer Cover - Ceramic	Obsolete - No Replacement	
DV0467	Side Panel RH	Obsolete - No Replacement	
DV0468	Side Panel LH	Obsolete - No Replacement	
DV0501	Door Skin	Obsolete - No Replacement	
DV0504	Door Choke - 402s	Obsolete - No Replacement	
DV0576	Heater Element 208V	Obsolete - No Replacement	
DV0585	Bracket - Microswitch	Obsolete - No Replacement	
DV0586	Actuator - Microswitch	Obsolete - No Replacement	
DV0606	Heater Element 220V	Obsolete - No Replacement	
DV0607	Heater Element 240V	Obsolete - No Replacement	
DV0659	Aux Transformer Spacer	Obsolete - No Replacement	
DV0666	402s Partition Plate	Obsolete - Use <a href="#">PSR123</a>	Product Change - Stock of DV0666 can still be used until depleted
DV0689	402s Durable V3 Membrane	Obsolete - No Replacement	
DV0714	e4s Wire Rack	Obsolete - Use <a href="#">DV0908</a>	Product Change - Stock of DV0908 can still be used until depleted
DV0849	e4s Air Deffuser	Obsolete - Use <a href="#">SA3153</a>	Product Change - Stock of DV0849 can still be used until depleted
DX0004	Hot Box Finished e3	Obsolete - Use <a href="#">DX0194</a>	Product Change - Stock of DX0004 can still be used until depleted
DX0005	Control Box	Obsolete - Use <a href="#">DX0195</a>	Product Change - Stock of DX0005 can still be used until depleted
DX0018	Door Choke	Obsolete - Use <a href="#">DX0191</a>	Product Change - Stock of DX0018 can still be used until depleted
DX0019	Door Skin	Obsolete - Use <a href="#">DX0198</a>	Product Change - Stock of DX0019 can still be used until depleted
DX0035	Steam Pipe e3	Obsolete - Use <a href="#">SX320</a>	Product Change - Stock of DX0035 can still be used until depleted
MC3010A	EC401 Base Assy (RINNAI)	Obsolete - No Replacement	
MC30121X02	Hinge Body R/H	Obsolete - No Replacement	



Merrychef Obsolete - Replacement Parts List

Part No.	Description	Status	Comments
MC30122X01	Hinge Body L (35)	Obsolete - No Replacement	
MC30127	Press Switch Assy Used	Obsolete - No Replacement	
MC3031X05	Door Base Assy	Obsolete - No Replacement	
MC3040	Door Stay R/H (41)	Obsolete - No Replacement	
MC3046	Door Stay L/H (38)	Obsolete - No Replacement	
MC3047	Front Panel - Lower (12)	Obsolete - No Replacement	
MC30562MC	Handed Door Switch LHS	Obsolete - No Replacement	
MC3063	Seal A (51) Glass Door	Obsolete - No Replacement	
MC3064X01	Door Cover (48)	Obsolete - No Replacement	
MC3065	Seal B (53)	Obsolete - No Replacement	
MC3066X01	Plate - Door Rear (54)	Obsolete - No Replacement	
MC3067	Doorspring A	Obsolete - No Replacement	
MC3068X01	Doorspring B (36)	Obsolete - No Replacement	
MC3080	Relay (109)	Obsolete - No Replacement	
MC3102	Inlet Duct 400 Series EE5	Obsolete - No Replacement	
MC3018	Baffle Plate	Obsolete - No Replacement	
MC3062	Glass - Door Inner	Obsolete - No Replacement	
MC3110	Hot Air Motor	Obsolete - No Replacement	
MC3111	Fan (59)	Obsolete - No Replacement	
MC3120MC	Upper Trim	Obsolete - No Replacement	
MC3121	Side Trim RHS	Obsolete - No Replacement	
MC31211	L/H Side Trim (7)	Obsolete - No Replacement	
MC31212	R/H Side Trim (7)	Obsolete - No Replacement	
MC3122	Lower Trim (11)	Obsolete - No Replacement	
MC3129	Rear Panel (3)	Obsolete - No Replacement	
MC3133	Side Panel - RH (8)	Obsolete - No Replacement	
MC3134	Side Panel - LH (4)	Obsolete - No Replacement	
MC3141	Blower Motor Assembly	Obsolete - No Replacement	
MC3145	Side Panel RHD (8)	Obsolete - No Replacement	
MC3146	Side Panel LHS	Obsolete - No Replacement	
MC3146MC	Side Panel LHS	Obsolete - No Replacement	
MC3155	Grease Filter (6)	Obsolete - No Replacement	
MC3175F	Square Tray Over Vit	Obsolete - No Replacement	
MC3187	400 Series Ceramic Plate	Obsolete - No Replacement	
MC3191X01	Oven Rack (147)	Obsolete - No Replacement	
MC3205	Gasket Partitin Plate	Obsolete - No Replacement	
MC3215	Oven Tray Handle	Obsolete - No Replacement	
MC3215MOD	Oven Tray Handle Modified	Obsolete - No Replacement	
MC3216	Gearbox	Obsolete - No Replacement	
MC3229	Solid Rear Door Cover EC	Obsolete - No Replacement	
MC3230MCX02	Solid Door Assy	Obsolete - No Replacement	
MC3230MCX03	Door Assy	Obsolete - No Replacement	
MC3230X02	Solid Door Assy	Obsolete - No Replacement	
MC3703B	Fan Impellor - Balanced	Obsolete - No Replacement	
MC3730	Motor (68)	Obsolete - No Replacement	
MC3750	Oven Body SS (64)	Obsolete - No Replacement	
MC3750MC	S/Steel Oven body (Solid Base)	Obsolete - No Replacement	
MC3765	S/Steel Baffle Plate (61)	Obsolete - No Replacement	
MC3769MC	Rear Panel (8)	Obsolete - No Replacement	
MC3771MC	Inner Steam Pipe Protect	Obsolete - No Replacement	
MC3772MC	Outer Steam Pipe Protect	Obsolete - No Replacement	
MC3773MC	Exhaust Steam Pipe Assy	Obsolete - No Replacement	
MC3789MC	Decorative Frame LHS	Obsolete - No Replacement	
P10C0113	Control Panel Assy	Obsolete - No Replacement	
P10C0172	Cap 0.88uF 2500v Service	Obsolete - No Replacement	
P10C0174	US Rack Support Replace	Obsolete - No Replacement	
P10C0177	Door Spring(Large) Upgrade	Obsolete - No Replacement	
P10C0180	Overheat Stst Replacement	Obsolete - No Replacement	
P10C0192	M/Stream 501 Hot Air Motor	Obsolete - No Replacement	
P10C0236	EC501/2/3 Impellor + Set	Obsolete - No Replacement	
P10C0257	Stud Repair Kit for 501	Obsolete - No Replacement	
P10C0260	T'Hortons 5th Yr Service	Obsolete - No Replacement	
P10H0053	Turntable Motor Service S	Obsolete - No Replacement	
P10H0081	Menukey Addition Kit (EC401)	Obsolete - No Replacement	
P10H0084	Cavity Stiffening Kit	Obsolete - No Replacement	
P10H0126	Hot Air Motor Assy Kit	Obsolete - No Replacement	
P11C0161	Hot Air Motor Assy 50Hz	Obsolete - No Replacement	
P11C0162	Stirrer Motor S/Assy	Obsolete - No Replacement	
P11C0163	Stirrer Glass S/Assy	Obsolete - No Replacement	
P11C0166	Hinge Assembly - RH - CTM2/3	Obsolete - No Replacement	
P11C0167	Hinge Assembly - LH - CTM2/3	Obsolete - No Replacement	
P11C0170	Door Assembly CTM2/3	Obsolete - No Replacement	
P11C0266	HT Diode Assembly - CTM3	Obsolete - No Replacement	
P11C0279	Door Arm Stop Assembly	Obsolete - No Replacement	
P11C0285	401 EC MK Logic PCB Assy	Obsolete - No Replacement	
P11C0286	EC401 EE5 Spares Only EE	Obsolete - No Replacement	
P11C0291	Meal Series 5 Logic PCB	Obsolete - No Replacement	
P11C0292	CTM3 Door Seal Set	Obsolete - No Replacement	
P11C0293	Control Panel Assy Series	Obsolete - No Replacement	
P11C0294	Membrane Assy Series 5 (Red/Grey)	Obsolete - No Replacement	
P11C0295	CD2 CTL Mealstream PCB Assy	Obsolete - No Replacement	
P11C0300	Door Arm Assy	Obsolete - No Replacement	
P11C0301	Temperature Sensor Pocket	Obsolete - No Replacement	
P11C0302	Mains Lead Assy - 32A 3	Obsolete - No Replacement	
P11C0309	CD2 Substrate Assy Blue	Obsolete - No Replacement	
P11C0310	Membrane Assy Blue	Obsolete - No Replacement	
P11C0323	Resistor Drop Assy 240V	Obsolete - No Replacement	

Merrychef Obsolete - Replacement Parts List

Part No.	Description	Status	Comments
P11C0331	Meal 501 Logic TH 1/4 Lo	Obsolete - No Replacement	
P11C0332	Control Panel Assy US Spec	Obsolete - No Replacement	
P11C0377	Mealstream 501 Logic PCB	Obsolete - No Replacement	
P11C0379	Meal 501 Mem Pan Assy MK	Obsolete - No Replacement	
P11C0402	CTM5 Relay PCB Assembly	Obsolete - No Replacement	
P11C0403	Relay PCB Assy 240V	Obsolete - No Replacement	
P11C0406	CD2 Knob Assembly	Obsolete - No Replacement	
P11C0411	Meal 501 Logic TH 1/4 Lo	Obsolete - No Replacement	
P11C0412	Control Panel Assy	Obsolete - No Replacement	
P11C0413	Membrane On Substrate	Obsolete - No Replacement	
P11C0438	Membrane Assy Blue MK	Obsolete - No Replacement	
P11C0480	Door Arm Stop (Hexagon P	Obsolete - No Replacement	
P11C0489	HT Diode + Led PCB Assy	Obsolete - No Replacement	
P11C0511	Display Adaptor - Tim Hortons V2	Obsolete - No Replacement	
P11C0512	Relay PCB For NGO	Obsolete - No Replacement	
P11C0513	Ethernet Coms PCB	Obsolete - No Replacement	
P11C0520	Door Arm Assy	Obsolete - No Replacement	
P11C0528	TH V2 M/Brane Assy	Obsolete - No Replacement	
P11C0538	RH Interlock Assy	Obsolete - No Replacement	
P11C0539	THV2 LH Interlock Assy	Obsolete - No Replacement	
P11C0547	THV2 Logic PCB Assy	Obsolete - No Replacement	
P11C0550	THV2 Control Panel Assy	Obsolete - No Replacement	
P11H0008	Modification Kit - Microaire	Obsolete - No Replacement	
P11H0024	Membrane Assy Maire 5	Obsolete - No Replacement	
P11H0025	EC401 Filter Wire Kit	Obsolete - No Replacement	
P11H0027	Microaire CD2 PCB Assy	Obsolete - No Replacement	
P11H0058	HT Diode PCB Assy	Obsolete - No Replacement	
P11H0059	CD2 Control Assy Blue	Obsolete - No Replacement	
P11H0060	Membrane Assy Blue	Obsolete - No Replacement	
P11H0066	401 EC MK Logic PCB Assy	Obsolete - No Replacement	
P11H0067	401 EC MK Membrane Panel	Obsolete - No Replacement	
P11H0068	401 EC MK Control Assy X	Obsolete - No Replacement	
P11H0077	401 - S/Sate Relay PCB	Obsolete - No Replacement	
P11H0079	Suppressor Assy (EC401 C	Obsolete - No Replacement	
P11H0082	EC401 BLK/WHT Wire Assy	Obsolete - No Replacement	
P11H0086	Ec403 Cat Assy (Removable)	Obsolete - No Replacement	
P11H0091	Fan + Suppressor Assy	Obsolete - No Replacement	
P11H0101	401 MK Membrane Panel	Obsolete - No Replacement	
P11H0103	EC400 MK Membrane US	Obsolete - No Replacement	
P11H0107	EC400 Primary Monitor Sw	Obsolete - No Replacement	
P11H0119	Temperature Adjustment A	Obsolete - No Replacement	
P11H0122	Gold Resistor Brk Assy	Obsolete - No Replacement	
P11H0130	400 Series Ceramic Plate	Obsolete - No Replacement	
P11H0288	SSR Kit for EE5 Ovens	Obsolete - No Replacement	
P11H0289	Cooling Fan Mod Kit	Obsolete - No Replacement	
P11K0002	Impinger Logic PCB (V2 & V2.5)	Obsolete - No Replacement	
P11K0004	MAI Relay PCB	Obsolete - No Replacement	
P11K0012	402S LD Logic PCB Assy V3	Obsolete - No Replacement	
P11K0013	402s Fibre Optic Board	Obsolete - No Replacement	
P11K0026	Autovoltage And Freq Detect	Obsolete - No Replacement	
P11M0108	Switch Panel Assy Microcook (Red/Grey)	Obsolete - Use <a href="#">P11M0387</a>	Product Change - Stock of P11M0108 can still be used until depleted
P11M0109	Switch Panel Assy Microvend (Red/Grey)	Obsolete - Use <a href="#">P11M0385</a>	Product Change - Stock of P11M0109 can still be used until depleted
P11M0258	Door Assembly - 650 (Red/Grey)	Obsolete - Use <a href="#">P11M0391</a>	Product Change - Stock of P11M0258 can still be used until depleted
P11M0271	Membrane Assy (Grey/Red)	Obsolete - Use <a href="#">P11M0388</a>	Product Change - Stock of P11M0271 can still be used until depleted
P11M0343	HT Diode Assy (PCB Type)	Obsolete - Use <a href="#">P11M0417</a>	Product Change - Stock of P11M0343 can still be used until depleted
P11M0367	VCK HT Diode Assembly	Obsolete - Use <a href="#">P11M0364</a>	Product Change - Stock of P11M0367 can still be used until depleted
P11M0462	Diecast Door Assy Blue	Obsolete - Use <a href="#">P11M0392</a>	Product Change - Stock of P11M0462 can still be used until depleted
P30Z1128	401 XX5 50Hz Mag C/Fan	Obsolete - No Replacement	
P30Z1190	402 XX5 60Hz Mag C/Fan	Obsolete - No Replacement	
P31Z7068	402s Frm Key V3.0 French	Obsolete - No Replacement	
P31Z7071	402s Frm V3-V3+FO+SSR+EM	Obsolete - No Replacement	
P31Z7072	402s Frm V3+FO+SSR+EMD	Obsolete - No Replacement	
P31Z7073	402s Frm Key V4.4 US	Obsolete - No Replacement	
P310110	Double Blower Motor Assy	Obsolete - No Replacement	
P40C0948	Heater Element 3.0Kw 240V	Obsolete - No Replacement	
P40C0949	Heater Element 3.0Kw 208V	Obsolete - No Replacement	
P40C1353	3 Coil Dual Element	Obsolete - No Replacement	
P40H0009	Heater Element 3Kw 240V	Obsolete - No Replacement	
P40H0077	Heater Element 220V 3Kw	Obsolete - No Replacement	
P790063	Heater Element 2.5Kw CTM	Obsolete - No Replacement	
PSA1106	Version 4 Upgrade Kit	Obsolete - No Replacement	
PSA1107	402S Ver 4 Convert Tool	Obsolete - No Replacement	
PSA1111	402s Door Assy	Obsolete - No Replacement	
PSA1110	Service Hinge Replacement - 402s	Obsolete - No Replacement	
PSA1122	Cooling Fan Sub Assembly	Obsolete - No Replacement	
PSA1154	402s S/Steel Impinger Plate Upgrade Kit	Obsolete - No Replacement	
PSA1193	Impinger Resting Plate Kit	Obsolete - No Replacement	
PSA126	402s Auxilzry Trans Kit	Obsolete - No Replacement	
PSA1266	402s V3 Display & Cable Assy	Obsolete - No Replacement	
PSA129	Stacking Plate Kit	Obsolete - No Replacement	
PSA142	Starter Pack	Obsolete - No Replacement	
PSA183	402s Hot Air Motor Service Kit	Obsolete - No Replacement	
PSA2105	RH Door Hinge Assy	Obsolete - No Replacement	
PSA2106	LH Door Hinge Assy	Obsolete - No Replacement	
PSA2108	Paddle Plinth Assy	Obsolete - Use <a href="#">PSA2150</a>	Product Change - Stock of PSA2108 can still be used until depleted
PSA212	Microswitch Assy (Pair)	Obsolete - No Replacement	
PSA2179	Durable Membrane Assy	Obsolete - No Replacement	

Merrychef Obsolete - Replacement Parts List

Part No.	Description	Status	Comments
PSA2183	Microswitch Assy (Pair)	Obsolete - No Replacement	
PSA2184	RH Door Hinge V15 Assy	Obsolete - No Replacement	
PSA2185	LH Door Hinge V15 Assy	Obsolete - No Replacement	
PSA227	402s Gold Resistor Assy	Obsolete - No Replacement	
PSA234	Mag Stat Wire Assy	Obsolete - No Replacement	
PSA250	402s Grease Filter Upgrade Kit	Obsolete - No Replacement	
PSA251	402s Ceramic Cover Upgrade	Obsolete - No Replacement	
PSA252	Tool Kit For SA251	Obsolete - No Replacement	
PSA253	402s Impinger Upgrade Kit	Obsolete - No Replacement	
PSA254	402s Whistle Stop Upgrade Kit	Obsolete - No Replacement	
PSA257	Ec402s Sounder Assy	Obsolete - No Replacement	
PSA273	402s Control Facia Assy	Obsolete - No Replacement	
PSA274	402s Control Facia Assy V3	Obsolete - No Replacement	
PSA276	Air Filter Assy	Obsolete - No Replacement	
PSA332	Gasket Set CPN000075773	Obsolete - No Replacement	
PSG207	e6 Convection Motor Assy	Obsolete - Use <a href="#">PSG225</a>	Product Change - Stock of PSG207 can still be used until depleted
PSJ203	e2 Convection Motor Replacement Kit	Obsolete - Use <a href="#">PSJ262</a>	Product Change - Stock of PSJ203 can still be used until depleted
PSJ243	Dual Thermocouple Assy e2/e6	Obsolete - Use <a href="#">SJ358</a>	Product Change - Stock of PSJ243 can still be used until depleted
PSX176	Vitreous Tray Kit e3	Obsolete - Use <a href="#">40H0347</a>	Product Change - Stock of PSX176 can still be used until depleted
PSX202	Door Frame Assy e3	Obsolete - Use <a href="#">PSX196</a>	Product Change - Stock of PSX202 can still be used until depleted
RBR1139	Shelf Runners (Rinnai)	Obsolete - No Replacement	
RBR1285048	Silver Door Handle	Obsolete - No Replacement	
RBR12852	Door Handle - Black	Obsolete - No Replacement	
RBR186X01	Wire Rack Mealstream	Obsolete - Use <a href="#">DR0057</a>	Product Change - Stock of RBR186X01 can still be used until depleted
RBR290X02	Oven Tray Mealstream	Obsolete - Use <a href="#">P40C1423</a>	Product Change - Stock of RBR290X02 can still be used until depleted
RBR1324	Roller Assembly	Obsolete - No Replacement	
RCK6319	Handle Hangers (14)	Obsolete - No Replacement	
RCK7617	Fan Fixing Cap	Obsolete - No Replacement	
RCH8203X01	Cooking Tray	Obsolete - No Replacement	
RCK273	Rubber Cushion (70)	Obsolete - No Replacement	
RMC5055EX	Turntable Motor	Obsolete - No Replacement	
RMC6104	Leg (19)	Obsolete - Use <a href="#">PDR0112</a>	Product Change - Stock of RMC6104 can still be used until depleted
RMC6759E	Top Plate (2)	Obsolete - No Replacement	
RMC6759EMC	Top Plate (4)	Obsolete - No Replacement	
RMC6773	Ferrite	Obsolete - No Replacement	
RMC7307X01	Motor Bracket (71)	Obsolete - No Replacement	
RMC7310	Cooling Fan (72)	Obsolete - No Replacement	
RMC7340X01	Turn-Table Disc (63)	Obsolete - Use <a href="#">40H0249</a>	Product Change - Stock of RMC7340X01 can still be used until depleted
RMC7347X01	Turn Table Tray (143)	Obsolete - Use <a href="#">40H0347</a>	Product Change - Stock of RMC7347X01 can still be used until depleted
RMC7347X01F	Round Tray Over Vit	Obsolete - No Replacement	
RMC7347X2	Turntable Tray	Obsolete - No Replacement	
RMC7385X02	Fixing Bracket	Obsolete - No Replacement	
RMC7385XD2	Fixing Bracket	Obsolete - No Replacement	
RMC7391X01	Shaft (67)	Obsolete - No Replacement	
RMC8203X2	Cooking Tray	Obsolete - No Replacement	
SA1100	Service Kit 60hz Subway	Obsolete - No Replacement	
SA1106	Version 4 Upgrade Kit	Obsolete - No Replacement	
SA1107	402S Ver 4 Convert Tool	Obsolete - No Replacement	
SA1108	Griddle Set	Obsolete - Use <a href="#">PSA1108</a>	Only 'P' Prefix Change
SA1109	Door Spacer Kit	Obsolete - Use <a href="#">PSA1109</a>	Only 'P' Prefix Change
SA111	402s Door Assy	Obsolete - No Replacement	
SA1110	Service Hinge Replacement	Obsolete - No Replacement	
SA1122	Cooling Fan Upgrade Kit	Obsolete - No Replacement	
SA118	1st Aid Kit 402s 60Hz	Obsolete - No Replacement	
SA119	Service Kit 402s 60Hz	Obsolete - No Replacement	
SA1154	Vit to S/S Impinger Kit	Obsolete - No Replacement	
SA1193	Impinger Resting Plate Kit	Obsolete - No Replacement	
SA126	402s Auxilzry Trans Kit	Obsolete - No Replacement	
SA1266	402s V3 Display & Cable Assy	Obsolete - No Replacement	
SA129	Stacking Plate Kit	Obsolete - No Replacement	
SA142	Starter Pack	Obsolete - No Replacement	
SA168	Solid State Relay Upgrade	Obsolete - No Replacement	
SA174	ASA 1st Aid Kit 402s 50Hz	Obsolete - No Replacement	
SA177	ASA Service Kit	Obsolete - No Replacement	
SA183	402s Hot Air Motor Service Kit	Obsolete - No Replacement	
SA189	Conversion Cable 1PH To 3PH	Obsolete - Use <a href="#">PSA189</a>	Only 'P' Prefix Change
SA196	KFC Upgrade	Obsolete - No Replacement	
SA197	1st Aid Kit 402s 50Hz	Obsolete - No Replacement	
SA198	1st Aid Kit 402s 60Hz	Obsolete - No Replacement	
SA202	Door Hinge Assembly RH	Obsolete - No Replacement	
SA203	Door Hinge Assembly LH	Obsolete - No Replacement	
SA208	402s Hot Air Motor Assy	Obsolete - No Replacement	
SA2100	402s Filter Base 2P+N+E	Obsolete - No Replacement	
SA2101	Top Impinger Plate S/S	Obsolete - Use <a href="#">PSA2101</a>	Only 'P' Prefix Change
SA2103	Phase Check Lamp Assy	Obsolete - No Replacement	
SA2104	Filtered Base 402s EU TW	Obsolete - No Replacement	
SA2105	RH Door Hinge Assy	Obsolete - No Replacement	
SA2106	LH Door Hinge Assy	Obsolete - No Replacement	
SA2108	Paddle Plinth Assy	Obsolete - No Replacement	
SA211	Impinger Plate Upper Assy	Obsolete - No Replacement	
SA212	M/Switch Bracket Assy	Obsolete - No Replacement	
SA2126	Mains Cable Assembly 4 Core Us Colours	Obsolete - No Replacement	
SA214	Stirrer Motor Assembly	Obsolete - No Replacement	
SA215	Impinger Plate - Lower	Obsolete - No Replacement	
SA217	Mains Lead Assy (Us)	Obsolete - No Replacement	
SA2179	Durable Membrane Assy	Obsolete - No Replacement	
SA218	Display Lead - Small Display	Obsolete - No Replacement	

Merrychef Obsolete - Replacement Parts List

Part No.	Description	Status	Comments
SA2184	RH Door Hinge V15 Assy	Obsolete - No Replacement	
SA2185	LH Door Hinge V15 Assy	Obsolete - No Replacement	
SA225	Mains Lead Assy (EU) 4-C	Obsolete - Use PSA225	Only 'P' Prefix Change
SA226	Mains Lead Assy (EU) 3-C	Obsolete - Use PSA226	Only 'P' Prefix Change
SA227	402S Gold Resistor Assy	Obsolete - No Replacement	
SA231	Logic Board Main Assembly V2 & V2.5	Obsolete - No Replacement	
SA234	Mag Stat Wire Assy	Obsolete - No Replacement	
SA238	Wire Assy - Stirrer Moto	Obsolete - No Replacement	
SA250	402s Grease Filter Upgrade	Obsolete - No Replacement	
SA251	402s Ceramic Cover Upgrade	Obsolete - No Replacement	
SA252	Tool Kit For SA251	Obsolete - No Replacement	
SA253	402s Impinger Upgrade Kit	Obsolete - No Replacement	
SA254	402s Whistle Stop Upgrade Kit	Obsolete - No Replacement	
SA256	Motor Controller Assembly (EU)	Obsolete - Use 30Z1319	Product Change Replace Stock
SA257	Ec402s Sounder Assy	Obsolete - No Replacement	
SA259	Display Lead Assy V3	Obsolete - No Replacement	
SA260	Logic Board Main Assembly V3	Obsolete - No Replacement	
SA266	Impinger Plate Lower Assy	Obsolete - Use PSA266	Only 'P' Prefix Change
SA273	402S Control Facia Assy	Obsolete - No Replacement	
SA274	402S Control Facia Assy	Obsolete - No Replacement	
SA275	Diode PCB On Bracket	Obsolete - No Replacement	
SA276	Air Filter Assy	Obsolete - No Replacement	
SA288	Stirrer Motor Assy Pinned	Obsolete - Use PSA288	Only 'P' Prefix Change
SA290	Stirrer Motor (Pinned)	Obsolete - Use PSA288	Product Change - Stock of SA290 can still be used until depleted
SA295	Solid State Relay + Bracket Assembly	Obsolete - No Replacement	
SA299	Chicken Griddle Plate x4	Obsolete - Use PSA299	Only 'P' Prefix Change
SA302	Air Filter - 402s	Obsolete - No Replacement	
SA306	Grease Filter	Obsolete - No Replacement	
SA3105	Gasket Kit e4	Obsolete - Use PSA3105	Only 'P' Prefix Change
SA311	Impeller - Hot Air Motor	Obsolete - No Replacement	
SA3113	Door Seal HT e4 & 402s	Obsolete - Use PSA3113	Only 'P' Prefix Change
SA313	Hot Box Sub Assy	Obsolete - No Replacement	
SA314	Catalyst Assembly - Upper	Obsolete - No Replacement	
SA315	Catalyst Assembly - Lower	Obsolete - No Replacement	
SA331	Door Inner Assy (Pressed)	Obsolete - Use SA3106VIT	Product Change - Stock of SA331 can still be used until depleted
SA332	Gasket Set CPN000075773	Obsolete - No Replacement	
SA339	Grease Filter Case	Obsolete - No Replacement	
SA340	Grease Filter Cartridge	Obsolete - Use SA3126	Product Change Replace Stock
SA359	402s Air Filter	Obsolete - No Replacement	
SA390	Air Filter Assy e4	Obsolete - Use SA3127	Product Change Replace Stock
SJ203	e2 Blower Assy	Obsolete - Use PSJ203	Only 'P' Prefix Change
SJ204	e2 Stirrer Assy	Obsolete - Use PSJ204	Only 'P' Prefix Change
SR102	eikon M/switch Brkt Kit	Obsolete - Use PSR102	Only 'P' Prefix Change
SR202	M/Switch Brkt Assy RHS	Obsolete - Use PSR102	Product Change Replace Stock
SR204	M/Switch Brkt Assy LHS	Obsolete - Use PSR102	Product Change Replace Stock
SX203	Turntable Drive Assy	Obsolete - Use PSX203	Only 'P' Prefix Change
SX301	Cavity Assy 400 Series e3	Obsolete - Use SX331	Product Change - Stock of SX3011 can still be used until depleted
SX305	Rear Panel Assy e3	Obsolete - Use SX333	Product Change - Stock of SX305 can still be used until depleted
SX306	Exhaust Duct Assy e3	Obsolete - Use SX334	Product Change - Stock of SX306 can still be used until depleted
SX309	Air Filter Assy	Obsolete - Use SX328	Product Change - Stock of SX309 can still be used until depleted
SX314	Waveguide Air Duct	Obsolete - Use PSX278	Product Change Replace Stock

NOTES: **NOTE-1** If this part has failed, it is possible to upgrade the oven to a later model with the following parts:  
P10C0113 - Control Assembly Mealstream Series 5  
P11C0301 - Temp Sensor Poket Assembly  
30Z1419 - Thermistor  
**NOTE-2** P30Z1171 should only be used in HD 1925 KFC Oven  
**NOTE-3** For an e3 Oven Use PSX173, For an e4 Oven Use PSA1184, For an e4s Oven Use PSA1242 and For an e5 Oven Use PDR0005  
For pricing of the above **Note-1** contact Merrychef Parts Department - +44 (0)1483 464903

## Merrychef MD Oven Range - 220/240Volts 50Hz - UK/EU

Recommended Parts List **Production Ceased - Dec 2015**

## Recommended Min Stock Holding &amp; Service List

Service Manual Exploded View	Part Number	Description	Qty Per Oven	Unit	1-10 Ovens	11-50 Ovens	51-100 Ovens	Recommended Service List
8	30M0008	DOOR CATCH BRACKET	1	EA	1	3	6	
9	30M0009	DOOR CATCH	2	EA	2	6	12	
10	30M0010	DOOR CATCH LINK ROD	1	EA	1	3	6	
13	30M0013	DOOR CATCH CRANK	1	EA	1	3	6	
14	30M0014	UPPER / LOWER HINGE	2	EA	2	6	12	
15	30M0015	INNER DOOR FILM	1	EA	1	3	6	
16	P30M0016	CHOKE COVER	1	EA	1	3	6	1
17	30M0017	CONTROL PANEL COVER	1	EA	1	3	6	
18	40M1049	MD SERIES MEMBRANE PANEL (BLUE)		EA	1	3	6	
19	30M0019	DISPLAY SCREEN	1	EA	1	3	6	
20 + 18	<a href="#">P11M0384</a>	MEMBRANE ASSEMBLY - BLUE	1	EA	1	3	6	
21	P11M0326	MC/MD SERIES <b>LOGIC</b> PCB ASSY	1	EA	1	3	6	1
22	30M0022	HOUSING SUPPORT BRACKET	1	EA	1	3	6	
23	P11M0327	MC/MD SERIES <b>RELAY</b> PCB ASSY	1	EA	1	3	6	1
24	<a href="#">31Z0587</a>	RIBBON CONNECTOR 10 WAY	1	EA	1	3	6	
27	P30M0027	MICA PLATE AND STIRRER	1	EA	1	3	6	1
30	30M0030	TOP TRIM	1	EA	1	3	6	
31	30M0031	AIR INLET FILTER	1	EA	1	3	6	1
36	30M0036	MD1800 CAVITY ASSY	1	EA	1	3	6	
37	30M0037	LAMP COVER FILM	1	EA	1	3	6	
38	30M0038	LAMP	1	EA	1	3	6	
39	30M0039	LAMP HOLDER	1	EA	1	3	6	
41	30M0041	AIR OUTLET DUCT	1	EA	1	3	6	
43	30M0043	THERMAL FUSE	1	EA	1	3	6	1
46	30M0046	REAR AIR GUIDE	1	EA	1	3	6	
49	30Z0235	220R 50W 5% WW	4	EA	4	12	24	
51	30M0051	MAGNETRON HI LIMIT THERMOSTAT	2	EA	2	6	12	1
61	P30M0061	MAGNETRON (NOTE-1 BELOW)	2	EA	2	6	12	1
63	30M0063	MAGNETRON AIR DUCT	1	EA	1	3	6	
64	30M0064	COOLING DUCT COVER	1	EA	1	3	6	
67	20Z1080	FUSE COVER (PVC)	2	EA	2	6	12	
74	<a href="#">30Z1340</a>	MAINS FILTER 16A SCREW MOUNT	1	EA	1	3	6	
75	<a href="#">30Z1178</a>	30A FUSE HOLDER	1	EA	1	3	6	
76	<a href="#">30Z1177</a>	20 AMP LITTELFUSE FLM020	1	EA	1	3	6	1
78	30M0078	DIODE ASSEMBLY	2	EA	2	6	12	2
83	30M0083	HT LEAD (SHORT)	1	EA	1	3	6	
84	30M0084	HT LEAD (LONG)	1	EA	1	3	6	
Not Shown	P11M0428	SUPPRESSOR ASSY + SLICE	1	EA	1	3	6	
Not Shown	30M0092	AIR FILTER SHELL CLIP	2	EA	2	6	12	
Not Shown	30M0093	AIR FILTER OIN CLIP	2	EA	2	6	12	
Not Shown	<a href="#">30Z0217</a>	FUSE 1in 10A HRC	2	EA	2	6	12	2
Not Shown	<a href="#">30Z0231</a>	FUSEHOLDER 1in (13A)	2	EA	2	6	12	
Not Shown	30Z0367	FUSE 20MM 0.125A ANTI SURGE T (RELAY PCB)	1	EA	1	3	6	1
Not Shown	<a href="#">30Z0470</a>	FUSE 5x20mm 1A A/S (RELAY PCB)	1	EA	1	3	6	1
Not Shown	31Z0098	SILICONE SEALANT (WHITE)	1	TUBE	1	3	6	1
Not Shown	<a href="#">31Z0099</a>	SILICONE GREASE	1	TUBE	1	3	6	
Not Shown	<a href="#">32Z5005</a>	LOCTITE GEL	1	TUBE	1	3	6	
Not Shown	P30M0082	BASEPLATE	1	EA	1	3	6	1

## Merrychef MD Oven Range - 220/240Volts 50Hz - UK/EU

Recommended Parts List **Production Ceased - Dec 2015**

Recommended Min Stock Holding &amp; Service List

Service Manual Exploded View	Part Number	Description	Qty Per Oven	Unit	1-10 Ovens	11-50 Ovens	51-100 Ovens	Recommended Service List
------------------------------	-------------	-------------	--------------	------	------------	-------------	--------------	--------------------------

**MD1000 240Volts 50Hz UK-EU - Unique Parts**

1	30M0001	OUTER HANDLE	1	EA	1	3	6	
2	30M0002	HANDLE BEARING	4	EA	4	12	24	
3	30M0003	INNER HANDLE	1	EA	1	3	6	
11	30M0011	DOOR SPRING	1	EA	1	3	6	
26	31Z0220	MAINS CABLE ASSEMBLY	1	EA	1	3	6	
33	P30M0035	TRANSFORMER	1	EA	1	3	6	
35	31Z1036	STRAIN RELIEF BUSH	1	EA	1	3	6	
48	P30M0048	COOLING FAN ASSEMBLY	1	EA	1	3	6	
59*	30M0059	1.0uF CAPACITOR (MD1000 & MD1800)	1	EA	1	3	6	1
65	30M0065	DOOR INTERLOCK HOLDER (NOTE-3 BELOW)	1	EA	1	3	6	
66a - d	<a href="#">30Z1486</a>	MICROSWITCH V5S010CB 22 AMP	4	EA	4	12	24	4
68	30M0068	SPRING 1 (NOTE-3 BELOW)	3	EA	3	9	18	
69	30M0069	SPRING 2 (NOTE-3 BELOW)	1	EA	1	3	6	
70	30M0070	TOP LEVER (NOTE-3 BELOW)	1	EA	1	3	6	
71	30M0071	MIDDLE LEVER (NOTE-3 BELOW)	1	EA	1	3	6	
72	30M0072	BOTTOM LEVER (NOTE-3 BELOW)	1	EA	1	3	6	
80	P11M0334	DOOR ASSEMBLY	1	EA	1	3	6	
Not Shown	30M0094	SWITCH HOLDER ASSEMBLY	1	EA	1	3	6	

**MD1400 240Volts 50Hz UK-EU - Unique Parts**

1	30M0001	OUTER HANDLE	1	EA	1	3	6	
2	30M0002	HANDLE BEARING	4	EA	4	12	24	
3	30M0003	INNER HANDLE	1	EA	1	3	6	
11	30M0011	DOOR SPRING	1	EA	1	3	6	
26	31Z0220	MAINS CABLE ASSEMBLY	1	EA	1	3	6	
33	P30M0033	TRANSFORMER	2	EA	2	6	12	
35	31Z1036	STRAIN RELIEF BUSH	1	EA	1	3	6	
48	P30M0048	COOLING FAN ASSEMBLY	1	EA	1	3	6	
59*	30Z1075	0.88uF 2300V CAPACITOR (MD1400)	1	EA	1	3	6	1
59*	<a href="#">30Z1329</a>	0.75uF 2500V CAPACITOR (MD1400)	1	EA	1	3	6	1
65	30M0065	DOOR INTERLOCK HOLDER (NOTE-3 BELOW)	1	EA	1	3	6	
66a - d	<a href="#">30Z1486</a>	MICROSWITCH V5S010CB 22 AMP	4	EA	4	12	24	4
68	30M0068	SPRING 1 (NOTE-3 BELOW)	3	EA	3	9	18	
69	30M0069	SPRING 2 (NOTE-3 BELOW)	1	EA	1	3	6	
70	30M0070	TOP LEVER (NOTE-3 BELOW)	1	EA	1	3	6	
71	30M0071	MIDDLE LEVER (NOTE-3 BELOW)	1	EA	1	3	6	
72	30M0072	BOTTOM LEVER (NOTE-3 BELOW)	1	EA	1	3	6	
80	P11M0334	DOOR ASSEMBLY	1	EA	1	3	6	
Not Shown	30M0094	SWITCH HOLDER ASSEMBLY	1	EA	1	3	6	

**MD1800 240Volts 50Hz UK-EU - Unique Parts**

1	30M0001	OUTER HANDLE	1	EA	1	3	6	
2	30M0002	HANDLE BEARING	4	EA	4	12	24	
3	30M0003	INNER HANDLE	1	EA	1	3	6	
11	30M0011	DOOR SPRING	1	EA	1	3	6	
26	31Z0220	MAINS CABLE ASSEMBLY	1	EA	1	3	6	
33	P30M0033	TRANSFORMER	2	EA	2	6	12	
35	31Z1036	STRAIN RELIEF BUSH	1	EA	1	3	6	
48	P30M0048	COOLING FAN ASSEMBLY	1	EA	1	3	6	
59*	30M0059	1.0uF CAPACITOR (MD1000 & MD1800)	1	EA	1	3	6	1
59*	<a href="#">30Z1333</a>	1.1uF CAPACITOR (MD1800)	1	EA	1	3	6	1
65	30M0065	DOOR INTERLOCK HOLDER (NOTE-3 BELOW)	1	EA	1	3	6	
66a - d	<a href="#">30Z1486</a>	MICROSWITCH V5S010CB 22 AMP	4	EA	4	12	24	4
68	30M0068	SPRING 1 (NOTE-3 BELOW)	3	EA	3	9	18	
69	30M0069	SPRING 2 (NOTE-3 BELOW)	1	EA	1	3	6	
70	30M0070	TOP LEVER (NOTE-3 BELOW)	1	EA	1	3	6	
71	30M0071	MIDDLE LEVER (NOTE-3 BELOW)	1	EA	1	3	6	
72	30M0072	BOTTOM LEVER (NOTE-3 BELOW)	1	EA	1	3	6	
80	P11M0334	DOOR ASSEMBLY	1	EA	1	3	6	
Not Shown	30M0094	SWITCH HOLDER ASSEMBLY	1	EA	1	3	6	

## Merrychef MD Oven Range - 220/240Volts 50Hz - UK/EU

Recommended Parts List **Production Ceased - Dec 2015**

## Recommended Min Stock Holding &amp; Service List

Service Manual Exploded View	Part Number	Description	Qty Per Oven	Unit	1-10 Ovens	11-50 Ovens	51-100 Ovens	Recommended Service List
------------------------------	-------------	-------------	--------------	------	------------	-------------	--------------	--------------------------

**MD1804 240Volts 50Hz UK - Unique Parts - January 2007**

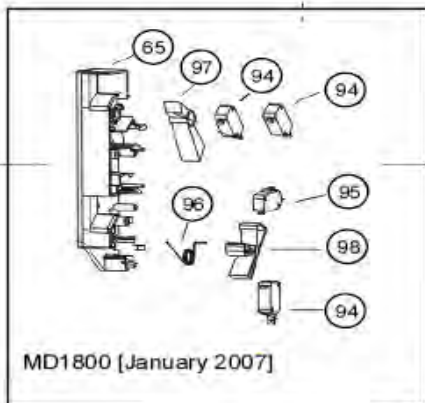
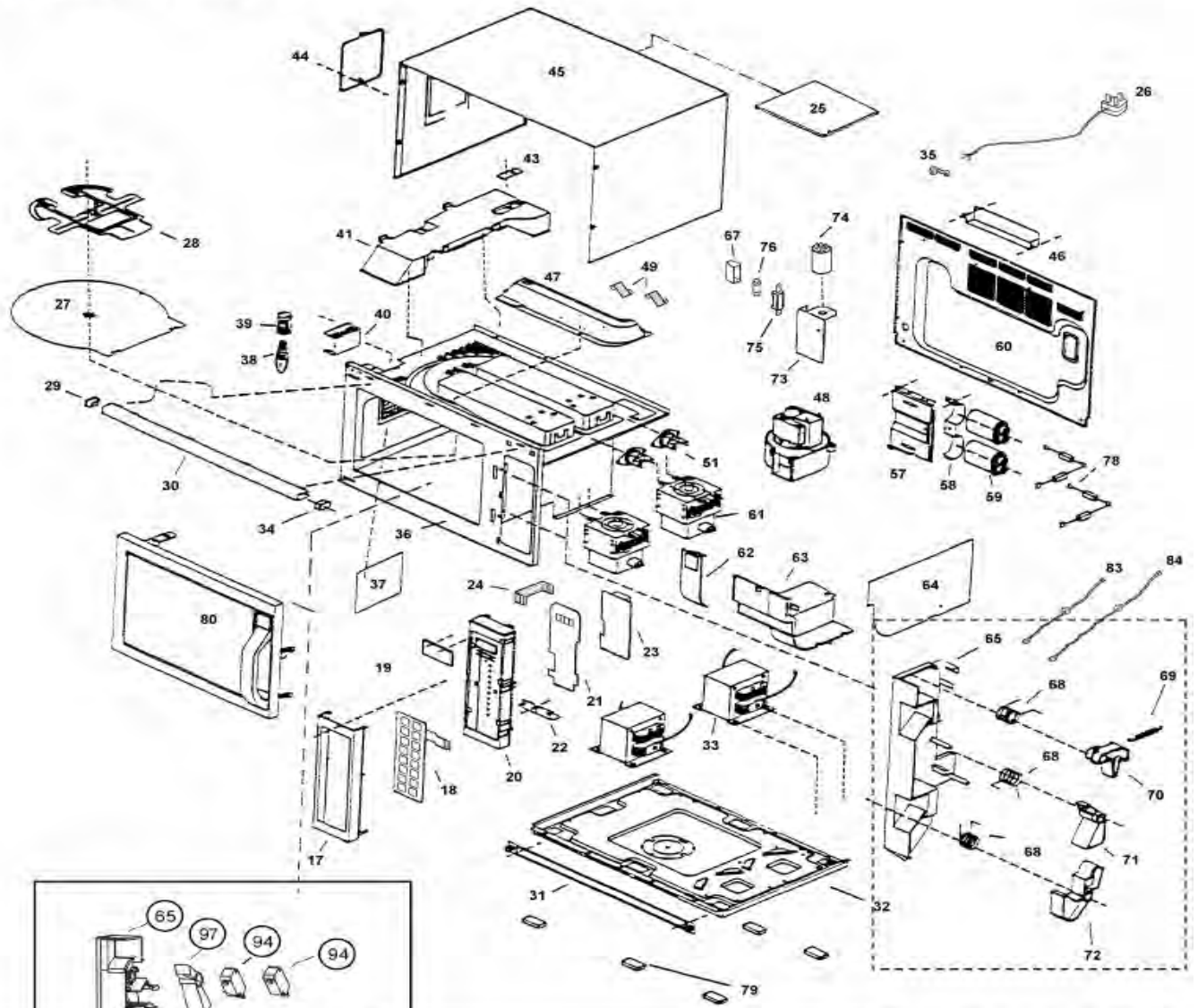
1	30M4002	1804 OUTER HANDLE	1	EA	1	3	6	
3	<a href="#">30M4003</a>	1804 INNER HANDLE	1	EA	1	3	6	
9	30M4009	1804 DOOR LATCH	2	EA	2	6	12	
26	31Z0220	MAINS CABLE ASSEMBLY (NOTE-2 BELOW)	1	EA	1	3	6	
26	31Z0604	PLUG+LEAD 2M RUBBER UK	1	EA	1	3	6	
33	P30M0033	TRANSFORMER	2	EA	2	6	12	
35	31Z1036	STRAIN RELIEF BUSH (NOTE-2 BELOW)	1	EA	1	3	6	
35	31Z1070	CABLE GLAND POZ16	1	EA	1	3	6	
35	31Z1082	CABLE GLAND NUT GM16	1	EA	1	3	6	
48	P30M0048	COOLING FAN ASSEMBLY	1	EA	1	3	6	
59*	<a href="#">30Z1333</a>	1.1uF CAPACITOR (MD1800)	1	EA	1	3	6	1
59*	30M0059	1.0uF CAPACITOR (MD1000 & MD1800)	1	EA	1	3	6	1
65a	30M4065	1804 SWITCH HOLDER (INTERLOCK)	1	EA	1	3	6	
80	P11M4334	1804 DOOR ASSEMBLY	1	EA	1	3	6	
94	30M4073	1804 MICROSWITCH	3	EA	3	9	18	3
95	30M4074	MICROSWITCH 1804 MODEL	1	EA	1	3	6	1
96	30M4011	1804 DOOR SPRING	1	EA	1	3	6	
96	30M4066	1804 SPRING	1	EA	1	3	6	
97	30M4071	1804 UP LEVER	1	EA	1	3	6	
98	30M4072	1804 LOWER LEVER	1	EA	1	3	6	

**MD1804 220Volts 60Hz MARINE Spec - Unique Parts - January 2007**

1	30M4002	1804 OUTER HANDLE	1	EA	1	3	6	
3	<a href="#">30M4003</a>	1804 INNER HANDLE	1	EA	1	3	6	
9	30M4009	1804 DOOR LATCH	2	EA	2	6	12	
26	31Z0220	MAINS CABLE ASSEMBLY (NOTE-2 BELOW)	1	EA	1	3	6	
26	31Z0604	PLUG+LEAD 2M RUBBER UK	1	EA	1	3	6	
33	P30M0104	TRANSFORMER 60Hz	2	EA	2	6	12	
35	31Z1036	STRAIN RELIEF BUSH (NOTE-2 BELOW)	1	EA	1	3	6	
35	31Z1070	CABLE GLAND POZ16	1	EA	1	3	6	
35	31Z1082	CABLE GLAND NUT GM16	1	EA	1	3	6	
48	30M0106	COOLING FAN ASSEMBLY 60Hz	1	EA	1	3	6	
59*	30Z1075	0.88uF 2300V CAPACITOR	2	EA	2	6	12	2
65a	30M4065	1804 SWITCH HOLDER (INTERLOCK)	1	EA	1	3	6	
80	P11M4334	1804 DOOR ASSEMBLY	1	EA	1	3	6	
94	30M4073	1804 MICROSWITCH	3	EA	3	9	18	3
95	30M4074	MICROSWITCH 1804 MODEL	1	EA	1	3	6	1
96	30M4011	1804 DOOR SPRING	1	EA	1	3	6	
96	30M4066	1804 SPRING	1	EA	1	3	6	
97	30M4071	1804 UP LEVER	1	EA	1	3	6	
98	30M4072	1804 LOWER LEVER	1	EA	1	3	6	

NOTES: **NOTE-1** MD1000 Models are fitted with only x1 P30M0061- Magnetron  
**NOTE-2** From September 2009 Mains Cable Assembly & Strain Relief changed from 31Z0220 & 31Z1036  
**NOTE-3** Parts are available as an Assembly - 30M0094

**Exploded view :**



Door interlock details for Models before January 2007, MD1000, MD1400 & MD1800 See APPENDIX 2

Note: Models MD0750 & MD1000 have one Magnetron Assembly only ( Parts 51 & 61 )

	Model	Part
59	MD0750 (Tesco)	HV Capacitor 0.74µF 30M0098 HV Capacitor 1.0µF 30M0059
51 61	MD0750 (Tesco) MD1000	1 Magnetron only



## Merrychef MDm1800 Oven - 220/240Volts 50Hz - UK/EU

## Recommended Parts List

## Recommended Min Stock Holding &amp; Service List

Service Exploded View	Part Number	Description	Qty Per Oven	Unit	1-10 Ovens	11-50 Ovens	51-100 Ovens	Recommended Service List
1	18M0001	CAUTION LABEL	1	EA	1	3	6	
2	18M0070	SHELF (OVEN BASE PLATE)	1	EA	1	3	6	1
3	18M0002	WARRANTY LABEL MERRYCHEF	1	EA	1	3	6	
4	18M0071	CUSHION RUBBER A	1	EA	1	3	6	
5 & 7	18M0069	CUSHION RUBBER C	9	EA	9	27	54	
6	18M0067	CUSHION RUBBER C	10	EA	10	30	60	
8	18M0068	CUSHION RUBBER C	1	EA	1	3	6	
9	18M0073	CUSHION RUBBER D	1	EA	1	3	6	
10	18M0072	CUSHION RUBBER D	1	EA	1	3	6	
11	18M0009	BASE	1	EA	1	3	6	
12	18M0010	BACK PANEL	1	EA	1	3	6	
13	18M0006	FOOT	4	EA	4	12	24	
14	18M0007	FOOT RUBBER	4	EA	4	12	24	
15	18M0008	CABINET BODY	1	EA	1	3	6	
16	18M0074	ANTENNA MTR COVER LOWER	1	EA	1	3	6	
17	18M0075	CUSHION RUBBER	1	EA	1	3	6	
18	18M0011	CUSHION RUBBER B	2	EA	2	6	12	
19	18M0077	BASE BRACKET	1	EA	1	3	6	
20	18M0078	SPACER	1	EA	1	3	6	
21	18M0012	OVEN U CAVITY	1	EA	1	3	6	
22	18M0013	CEILING PLATE ROOF	1	EA	1	3	6	1
23	18M0014	ANTENNA UPPER	1	EA	1	3	6	1
24	18M0015	ANTENNA LOWER	1	EA	1	3	6	1
25	18M0085	SPACER	1	EA	1	3	6	
26	18M0021	DOOR HOOK	1	EA	1	3	6	
27	18M0023	M/SWITCH LEVER A	1	EA	1	3	6	
28	18M0025	M/SWITCH LEVER C	1	EA	1	3	6	
29	18M0024	M/SWITCH LEVER B	1	EA	1	3	6	
31	18M0087	SPRING INTERLOCK	1	EA	1	3	6	
32	18M0028	FAN MOTOR	2	EA	2	6	12	
33	18M0029	AIR FILTER FRAME	1	EA	1	3	6	1
34	18M0030	EXHAUST GUIDE	1	EA	1	3	6	
35	18M0089	AIR GUIDE A UPPER	1	EA	1	3	6	
36	18M0090	AIR GUIDE B LOWER	1	EA	1	3	6	
38	18M0032	EXHAUST GUIDE B	1	EA	1	3	6	
39	18M0091	MAGNETRON BRACKET	2	EA	2	6	12	
40	18M0034	PC BOARD - <b>CONTROL</b>	1	EA	1	3	6	1
41	18M0092	OVEN LAMP SHEET	2	EA	2	6	12	1
42	18M0044	THERMAL CUTOFF MAGNETRON	2	EA	2	6	12	1
43	18M0093	INSULATION SHEET A	1	EA	1	3	6	
44	18M0039	INSULATION SHEET - BODY	1	EA	1	3	6	
45	18M0052	HV CAPACITOR	2	EA	2	6	12	1
46	18M0094	MICROSWITCH PRIMARY	1	EA	1	3	6	1
47	18M0095	MICROSWITCH SECONDARY	2	EA	2	6	12	2
48	18M0042	ANTENNA MTR - LOWER	1	EA	1	3	6	
49	18M0041	ANTENNA MTR - TOP	1	EA	1	3	6	
50	18M0043	THERMAL CUTOFF CAVITY	1	EA	1	3	6	1
51	18M0096	MICROSWITCH SHORT	2	EA	2	6	12	2
52	18M0097	CAPACITOR BRACKET	2	EA	2	6	12	
53	18M0046	STACK DIODE 350MA - CAP	2	EA	2	6	12	2
54	18M0038	PROTECTOR DIODE SI - CAP	2	EA	2	6	12	2
55	18M0047	HV TRANSFORMER	2	EA	2	6	12	
56	18M0098	FUSE BOX BRACKET	1	EA	1	3	6	
57	18M0048	FUSE 10A	2	EA	2	6	12	1
58	18M0049	SPACER	1	EA	1	3	6	
59	18M0099	SCREW WASHER	1	EA	1	3	6	
60	18M0036	PC BOARD D - <b>POWER</b>	1	EA	1	3	6	1
62	18M0100	SPACER A	1	EA	1	3	6	
63	18M0054	CONTROL PCB HOLDER	1	EA	1	3	6	
64	18M0040	PC BOARD <b>RELAY</b>	1	EA	1	3	6	1
65	18M0056	FUSE 2.5A	1	EA	1	3	6	1
66	18M0065	POWER CORD W/PLUG	1	EA	1	3	6	
67	18M0102	CORD BUSHING	1	EA	1	3	6	
68	18M0066	CORD BRACKET	1	EA	1	3	6	
69	18M0103	CLIP AIR FILTER LH (SMALL)	1	EA	1	3	6	
70	18M0104	BRACKET	1	EA	1	3	6	
71	18M0105	CLIP B MAG A/GUIDE A	1	EA	1	3	6	
72	18M0106	CLIP ANTENNA LOWER/UPPER	4	EA	4	12	24	

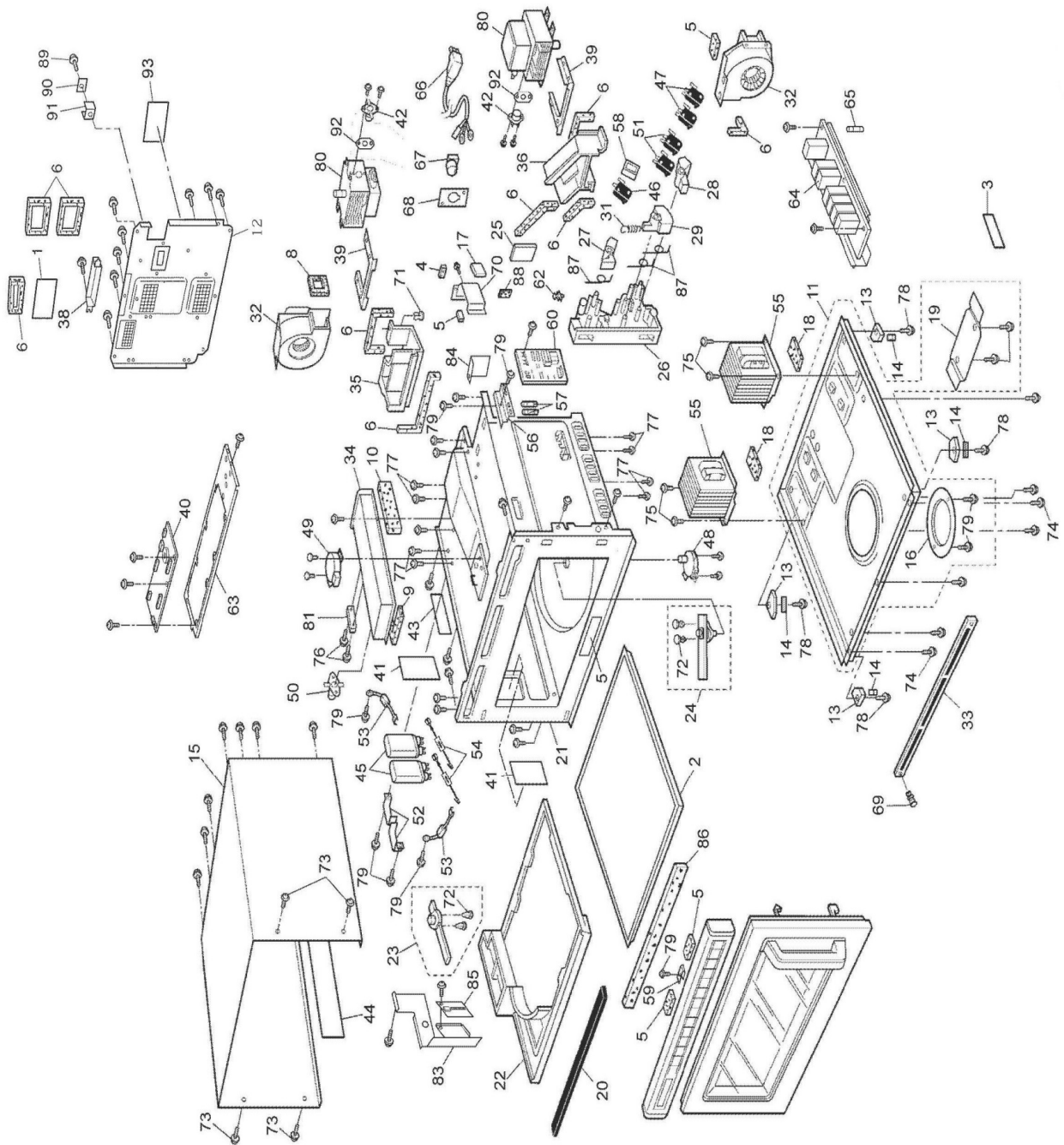
## Merrychef MDm1800 Oven - 220/240Volts 50Hz - UK/EU

## Recommended Parts List

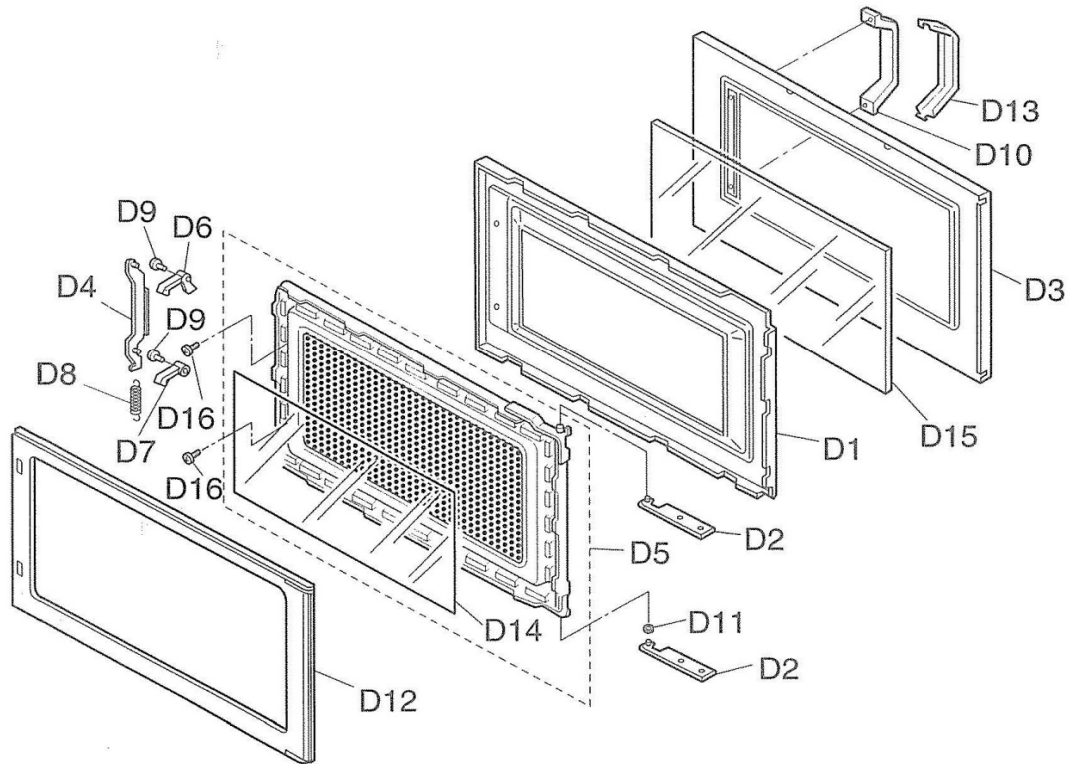
## Recommended Min Stock Holding &amp; Service List

Service Exploded View	Part Number	Description	Qty Per Oven	Unit	1-10 Ovens	11-50 Ovens	51-100 Ovens	Recommended Service List
73	18M0107	SCREW 4X10 CABINET BODY	4	EA	4	12	24	
74	18M0109	SCREW 4X12 BASE	2	EA	2	6	12	
75	18M0108	SCREW 5X10 HV TRANS	4	EA	4	12	24	
76	18M0111	SCREW 3X8 TEMP SENSOR	2	EA	2	6	12	
77	18M0116	SCREW 5X16 MAGNETRON	8	EA	8	24	48	
78	18M0110	SCREW 3X8 FOOT	4	EA	4	12	24	
79	18M0113	SCREW 4X12 GENERAL	11	EA	11	33	66	
80	18M0117	MAGNETRON	2	EA	2	6	12	1
81	18M0033	TEMP SENSOR WAVEGUIDE	1	EA	1	3	6	1
83	18M0057	LAMP BRACKET	1	EA	1	3	6	
84	18M0045	INSULATION SHEET D	1	EA	1	3	6	
85	18M0037	PCB H - LAMP	1	EA	1	3	6	1
86	18M0064	SPACER	1	EA	1	3	6	
87	18M0088	SPRING INTERLOCK	3	EA	3	9	18	
88	18M0076	CUSHION RUBBER A/GUIDE B	1	EA	1	3	6	
89	18M0114	SCREW B/PANEL COVER	1	EA	1	3	6	
90	18M0112	WASHER EARTH	1	EA	1	3	6	
91	18M0058	BRACKET EARTH	1	EA	1	3	6	
92	18M0050	SPACER	2	EA	2	6	12	
D1	18M0079	DOOR WINDOW FRAME	1	EA	1	3	6	
D2	18M0080	DOOR HINGE	2	EA	2	6	12	
D3	18M0018	DOOR A OUTER SKIN	1	EA	1	3	6	
D4	18M0019	DOOR KEY LEVER B	1	EA	1	3	6	
D5	18M0020	DOOR BODY E (U)	1	EA	1	3	6	
D6	18M0016	DOOR LATCH HOOK	1	EA	1	3	6	
D7	18M0017	DOOR LATCH HOOK B	1	EA	1	3	6	
D8	18M0081	DOOR KEY SPRING	1	EA	1	3	6	
D9	18M0082	HANDLE PIN	2	EA	2	6	12	
D10	18M0022	HANDLE INNER	1	EA	1	3	6	
D11	18M0083	DOOR HINGE SPACER A	1	EA	1	3	6	
D12	18M0084	DOOR CHOKE	1	EA	1	3	6	
D13	18M0086	HANDLE OUTER	1	EA	1	3	6	
D14	18M0026	DOOR SCREEN A FILM	1	EA	1	3	6	1
D15	18M0027	DOOR SCREEN B MERRYCHEF	1	EA	1	3	6	
D16	18M0115	SCREW 4X16 DOOR HANDLE	2	EA	2	6	12	
E1	18M0063	ESCUTCHEON SPACER	1	EA	1	3	6	
E2	18M0035	PC BOARD - DISPLAY	1	EA	1	3	6	1
E3	18M0051	MEMBRANE SWITCH - M/CHEF	1	EA	1	3	6	
E4	18M0055	FLAT CABLE	1	EA	1	3	6	
E5	18M0062	ESCUTCHEON MEMBRANE ASSY	1	EA	1	3	6	
E6	18M0060	ESCUTCHEON B - LH	1	EA	1	3	6	
E7	18M0061	ESCUTCHEON D - RH	1	EA	1	3	6	
E8	18M0101	ESCUTCHEON A - PANEL CVR	1	EA	1	3	6	
P1	18M1000	INSTRUCTION BOOK	1	EA	1	3	6	
P8	18M1001	OPERATING GUIDE	1	EA	1	3	6	
W1	18M0003	LEAD WIRE HARNESS	1	EA	1	3	6	
W2	18M0005	FERRITE CORE	2	EA	2	6	12	
W5	18M0004	LEAD WIRE	1	EA	1	3	6	

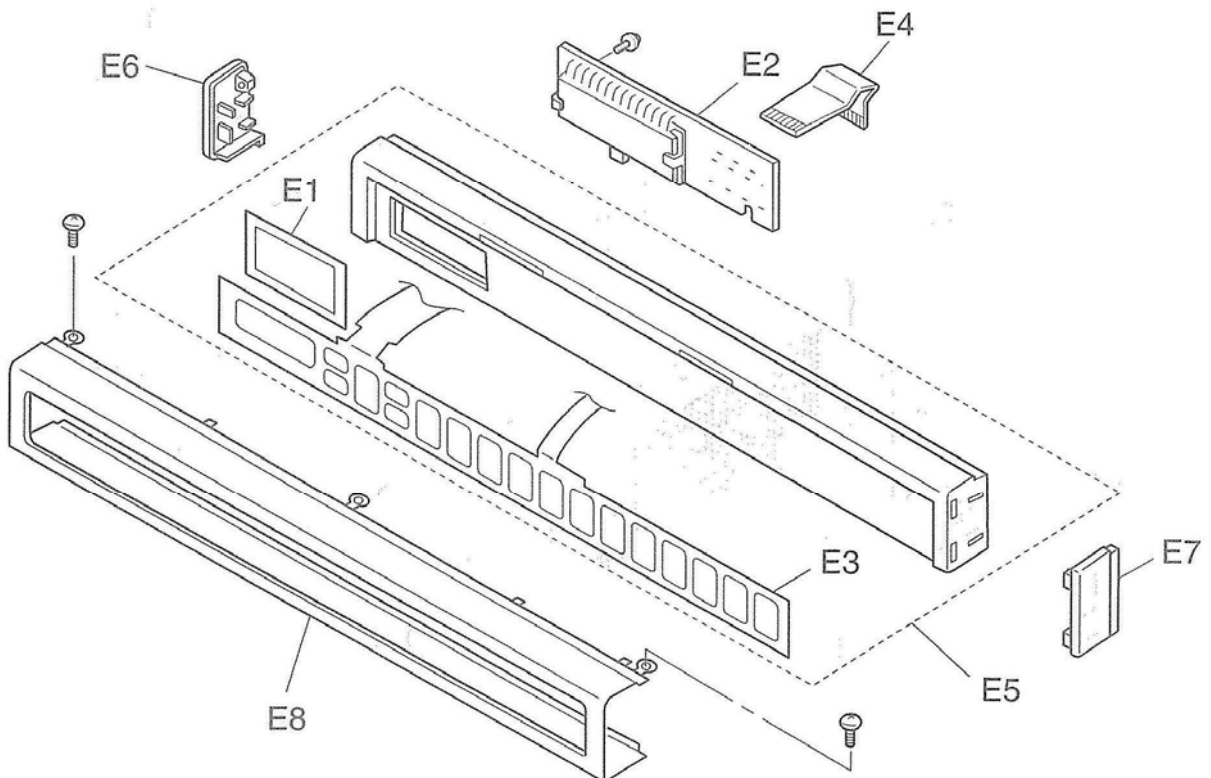
NOTE-1



**DOOR ASSEMBLY**



**ESCUTCHEON BASE ASSEMBLY**



Merrychef HD Oven Range - All Models

Recommended Parts List

Recommended Min Stock Holding & Service List

Service Manual Exploded View	Part Number	Description	Qty Per Oven	Unit	1-10 Ovens	11-50 Ovens	51-100 Ovens	Recommended Service List
3	31Z1104	AIR FILTER	1	EA	1	3	6	1
24	32Z5005	LOCTITE GEL		TUBE	1	3	6	
41	31Z0586	DC VOLTAGE CONNECTOR 10 WAY	1	EA	1	3	6	
42	P11M0333	FILTERED WIRE ASSY	1	EA	1	3	6	
46	40M0366	DOOR CAP - MK2	2	EA	2	4	8	
47	30Z0503	ON/OFF SWITCH	1	EA	2	6	12	1
51	31Z7010	STAND-OFF - PCB	4	EA	4	8	16	
59	31Z0167	PROTECTIVE BOOT	2	EA	2	6	12	
62	30Z0257	THERMAL TRIP (MAGNETRON)	2	EA	1	3	6	1
66	31Z0126	DELTA FILTER	1	EA	1	3	6	
68a	30Z0231	FUSE HOLDER 1IN (13A)	2	EA	1	3	6	
69	30Z1011	THERMAL TRIP (OVEN)	2	EA	1	1	2	2
70	11M0473	470R 50W RESISTOR ASSY (NOTE-2 BELOW)	2	EA	2	6	12	
70	11M0474	470R 75W RESISTOR ASSY (NOTE-2 BELOW)	2	EA	2	6	12	
73	30Z1340	FILTER 16A SCREW MOUNT	1	EA	1	3	6	
78	31Z0098	SILICONE SEALANT (WHITE)		TUBE	1	6	12	1
80	P11M0140	STIRRER BLADE ASSEMBLY	2	EA	1	3	6	2
81	P40M0832	SEAL - BOX LAUNCH	2	EA	2	6	12	
85	20Z0310	DOOR GUIDE MOULDING L/H	1	EA	1	3	6	
86	20Z0309	DOOR GUIDE MOULDING R/H	1	EA	1	3	6	
95	30Z1459	MICROSWITCH (STRAIGHT ARM)	2	EA	1	3	6	2
96	30Z0356	MICROSWITCH (MONITOR)	1	EA	2	6	12	1
103	20Z0039	EXTRUSION - DOOR RUNNER	4	EA	2	6	12	
Not Shown	30Z1177	20 AMP LITTLE FUSE FLM020	1	EA	4	8	16	1
Not Shown	30Z1178	30A FUSE HOLDER	1	EA	1	3	6	
Not Shown	31Z0099	SILICONE GREASE		TUBE	1	1	2	
Not Shown	31Z1305	CABLE CLAMP	1	EA	1	3	6	
Not Shown	P11M0267	OVEN BASE ASSY - LH	1	EA	1	3	6	
Not Shown	P11M0268	OVEN BASE ASSY - RH	1	EA	1	3	6	

HD1025 240Volts 50Hz - Unique Parts - Production Ceased - Dec 2012

1	P11M0269	REAR COVER ASSY (500)	1	EA	1	3	6	
8	P11M0392	DIECAST DOOR ASSY - BLUE	1	EA	1	6	12	
9	P40M1053	DOOR SCREEN (BLUE)	1	EA	1	2	3	
11	40M0919	DOORSIDE LH	1	EA	1	2	3	
12	40M0920	DOORSIDE RH	1	EA	1	2	3	
18	P40M0931	CHOKE FILLER	1	EA	1	2	3	
22	P40M0927	DOOR SEAL - 500MM HORIZONTAL	2	EA	1	1	2	
23	P40M0926	DOOR SEAL - 500MM VERTICAL	2	EA	1	1	2	
38	P11M0387	MEMBRANE ASSY BLUE - MICROCOOK	1	EA	2	6	12	
39	P11M0107	PCB ASSEMBLY - UNIVERSAL LOGIC	1	EA	2	6	12	1
49	P11M0285	RELAY PCB MICROCOOK CD (KFC)	1	EA	2	6	12	1
52	11M0432	SPRING KIT 6 LEAF	1	EA	2	6	12	1
53	P30Z1233	50HZ TRANS MULTI 208 220 240	1	EA	1	3	6	
58	30Z1333	1.1uF 2500V CAPACITOR	1	EA	2	6	12	1
61	30Z0921	MAG COOLING FAN (HD1025)	1	EA	1	3	6	
63	P30Z1349	MAGNETRON 2M248H-B	1	EA	2	6	12	1
65	P11M0417	HT DIODE ASSY (EARTH+HT LEAD)	1	EA	2	6	12	1
68b	30Z0456	FUSE 1IN 13A HRC	1	EA	4	8	16	1
75	P11M0262	LAMP ASSEMBLY	1	EA	1	2	3	
76	30Z1239	BULB PEARL ES E27 230V 100W GL	1	EA	1	3	6	
77	P20Z1355	CERAMIC BASE (BASE PLATE)	1	EA	1	3	6	1
79	40M0563	ROOF	1	EA	1	2	4	1
82	40M0508	TUNING STUB	2	EA	1	2	4	
106	40M1118	TOP PANEL HD 500 PAINTED	1	EA	1	2	4	
Not Shown	11M0458	MAINS CABLE ASSY EUROPE	1	EA	1	2	4	
Not Shown	31Z0220	MOULDED PLUG & CABLE (NOTE-1 BELOW)	1	EA	1	3	6	
Not Shown	31Z0639	1025 HV LOOM KIT		EA	1	2	4	
Not Shown	31Z1036	STRAIN RELIEF BUSHIN (NOTE-1 BELOW)	1	EA	1	3	6	
Not Shown	P11M0339	MAINS CABLE ASSY - MICROCOOK	1	EA	1	3	6	

Merrychef HD Oven Range - All Models

Recommended Parts List

Recommended Min Stock Holding & Service List

Service Manual Exploded View	Part Number	Description	Qty Per Oven	Unit	1-10 Ovens	11-50 Ovens	51-100 Ovens	Recommended Service List
<b>HD1425 240Volts 50Hz - Unique Parts - Production Ceased - Dec 2012</b>								
1	P11M0269	REAR COVER ASSY (500)	1	EA	1	3	6	
8	P11M0392	DIECAST DOOR ASSY - BLUE	1	EA	1	6	12	
9	P40M1053	DOOR SCREEN (BLUE)	1	EA	1	2	3	
11	40M0919	DOORSIDE LH	1	EA	1	2	3	
12	40M0920	DOORSIDE RH	1	EA	1	2	3	
18	P40M0931	CHOKE FILLER	1	EA	1	2	3	
22	P40M0927	DOOR SEAL - 500MM HORIZONTAL	2	EA	1	1	2	
23	P40M0926	DOOR SEAL - 500MM VERTICAL	2	EA	1	1	2	
38	P11M0387	MEMBRANE ASSY BLUE - MICROCOOK	1	EA	2	6	12	
39	P11M0107	PCB ASSEMBLY - UNIVERSAL <b>LOGIC</b>	1	EA	2	6	12	1
49	P11M0427	<b>RELAY</b> BOARD SUB-ASSEMBLY	1	EA	2	6	12	1
52	11M0432	SPRING KIT 6 LEAF	1	EA	2	6	12	1
53	P30Z1233	50HZ TRANS MULTI 208 220 240	2	EA	1	3	6	
57	30Z1329	0.75uF 2500V CAPACITOR RH (HD1425)	1	EA	2	6	12	1
58	30Z1075	0.88uF 2300V CAPACITOR LH (HD1425)	1	EA	2	6	12	1
61	P30Z1449	MAG COOLING FAN	1	EA	1	3	6	
63	P30Z1349	MAGNETRON 2M248H-B	2	EA	2	6	12	1
65	P11H0010	HT DIODE ASSEMBLY	2	EA	2	6	12	1
68b	30Z0394	FUSE 1IN 7A HRC	2	EA	4	8	16	2
71	30Z0941	AXIAL FAN	1	EA	1	1	2	
75	P11M0262	LAMP ASSEMBLY	1	EA	1	2	3	
76	30Z1239	BULB PEARL ES E27 230V 100W GL	1	EA	1	3	6	
77	P20Z1355	CERAMIC BASE (BASE PLATE)	1	EA	1	3	6	1
79	40M0563	ROOF	1	EA	1	2	4	1
82	40M0508	TUNING STUB	2	EA	1	2	4	
89	30Z0284	SOLENOID - 240V LH ASSEMBLY	1	EA	1	3	6	
90	30Z0010	SOLENOID - 240V RH ASSEMBLY	1	EA	1	3	6	
91	20Z0710	SOLENOID CORK WASHER	4	EA	2	6	12	
92	20Z0970	PLUNGER	2	EA	2	6	12	
106	40M1118	TOP PANEL HD 500 PAINTED	1	EA	1	2	4	
Not Shown	11M0458	MAINS CABLE ASSY EUROPE	1	EA	2	6	12	
Not Shown	31Z0220	MOULDED PLUG & CABLE (NOTE-1 BELOW)	1	EA	1	3	6	
Not Shown	31Z0640	1425/1725 HV LOOM KIT		EA	1	2	4	
Not Shown	31Z1036	STRAIN RELIEF BUSHIN (NOTE-1 BELOW)	1	EA	1	3	6	
Not Shown	31Z1250	MAINS ON/OFF SWITCH COVER	1	EA	1	3	6	
Not Shown	31Z1251	MAINS ON/OFF SWITCH BEZEL	1	EA	1	3	6	
Not Shown	P11M0339	MAINS CABLE ASSY - MICROCOOK	1	EA	1	3	6	
Not Shown	P11M0426	22R GOLD RESISTOR ASSY	2	EA	1	3	6	

Merrychef HD Oven Range - All Models

Recommended Parts List

Recommended Min Stock Holding & Service List

Service Manual Exploded View	Part Number	Description	Qty Per Oven	Unit	1-10 Ovens	11-50 Ovens	51-100 Ovens	Recommended Service List
<b>HD1725 240Volts 50Hz - Unique Parts</b>								
1	P11M0269	REAR COVER ASSY (500)	1	EA	1	3	6	
8	P11M0392	DIECAST DOOR ASSY - BLUE	1	EA	1	6	12	
9	P40M1053	DOOR SCREEN (BLUE)	1	EA	1	2	3	
11	40M0919	DOORSIDE LH	1	EA	1	2	3	
12	40M0920	DOORSIDE RH	1	EA	1	2	3	
18	P40M0931	CHOKE FILLER	1	EA	1	2	3	
22	P40M0927	DOOR SEAL - 500MM HORIZONTAL	2	EA	1	1	2	
23	P40M0926	DOOR SEAL - 500MM VERTICAL	2	EA	1	1	2	
38	P11M0387	MEMBRANE ASSY BLUE - MICROCOOK	1	EA	2	6	12	
39	P11M0107	PCB ASSEMBLY - UNIVERSAL LOGIC	1	EA	2	6	12	1
49	P11M0427	RELAY BOARD SUB-ASSEMBLY	1	EA	2	6	12	1
52	11M0432	SPRING KIT 6 LEAF	1	EA	2	6	12	1
53	P30Z1233	50HZ TRANS MULTI 208 220 240	2	EA	1	3	6	
57 - 58	30Z1331	1.0uF 2500V CAPACITOR (HD1725)	2	EA	2	6	12	2
61	P30Z1449	MAG COOLING FAN	1	EA	1	3	6	
63	P30Z1349	MAGNETRON 2M248H-B	2	EA	2	6	12	1
65	P11H0010	HT DIODE ASSEMBLY	2	EA	2	6	12	1
68b	30Z0217	FUSE 1IN 10A HRC	2	EA	4	8	16	2
71	30Z0941	AXIAL FAN	1	EA	1	1	2	
75	P11M0262	LAMP ASSEMBLY	1	EA	1	2	3	
76	30Z1239	BULB PEARL ES E27 230V 100W GL	1	EA	1	3	6	
77	P20Z1355	CERAMIC BASE (BASE PLATE)	1	EA	1	3	6	1
79	40M0563	ROOF	1	EA	1	2	4	1
82	40M0508	TUNING STUB	2	EA	1	2	4	
89	30Z0284	SOLENOID - 240V LH ASSEMBLY	1	EA	1	3	6	
90	30Z0010	SOLENOID - 240V RH ASSEMBLY	1	EA	1	3	6	
91	20Z0710	SOLENOID CORK WASHER	4	EA	2	6	12	
92	20Z0970	PLUNGER	2	EA	2	6	12	
106	40M1118	TOP PANEL HD 500 PAINTED	1	EA	1	2	4	
Not Shown	11M0457	3M MAINS CABLE ASSY (JDW MDL ONLY)	1	EA	2	6	12	
Not Shown	11M0458	MAINS CABLE ASSY EUROPE	1	EA	2	6	12	
Not Shown	31Z0220	MOULDED PLUG & CABLE (NOTE-1 BELOW)	1	EA	1	3	6	
Not Shown	31Z0640	1425/1725 HV LOOM KIT		EA	1	2	4	
Not Shown	31Z1036	STRAIN RELIEF BUSHIN (NOTE-1 BELOW)	1	EA	1	3	6	
Not Shown	31Z1250	MAINS ON/OFF SWITCH COVER	1	EA	1	3	6	
Not Shown	31Z1251	MAINS ON/OFF SWITCH BEZEL	1	EA	1	3	6	
Not Shown	P11M0339	MAINS CABLE ASSY - MICROCOOK	1	EA	1	3	6	
Not Shown	P11M0426	22R GOLD RESISTOR ASSY	2	EA	1	3	6	

Merrychef HD Oven Range - All Models

Recommended Parts List

Recommended Min Stock Holding & Service List

Service Manual Exploded View	Part Number	Description	Qty Per Oven	Unit	1-10 Ovens	11-50 Ovens	51-100 Ovens	Recommended Service List
<b>HD1725 Turboaire 240Volts 50Hz - Unique Parts - Production Ceased - July 2008</b>								
1	P11M0269	REAR COVER ASSY (500)	1	EA	1	3	6	
8	P11M0393	DIECAST DOOR ASSY (KFC)	1	EA	1	6	12	
9	P40M1053	DOOR SCREEN (BLUE)	1	EA	1	2	3	
11	40M0919	DOORSIDE LH	1	EA	1	2	3	
12	40M0920	DOORSIDE RH	1	EA	1	2	3	
18	P40M0931	CHOKE FILLER	1	EA	1	2	3	
22	P40M0927	DOOR SEAL - 500MM HORIZONTAL	2	EA	1	1	2	
23	P40M0926	DOOR SEAL - 500MM VERTICAL	2	EA	1	1	2	
38	P11M0386	MEMBRANE ASSY BLUE - TURBOAIRE	1	EA	2	6	12	
39	P11M0359	PCB ASSY - TURBOAIRE <b>LOGIC MK2</b>	1	EA	2	6	12	1
49	P11M0430	<b>RELAY</b> PCB ASSEMBLY - TURBOAIRE	1	EA	2	6	12	1
50	P11M0261	FAN CONTROL PCB - TURBOAIRE	1	EA	3	9	18	1
52	11M0432	SPRING KIT 6 LEAF	1	EA	2	6	12	1
53	P30Z1233	50HZ TRANS MULTI 208 220 240	2	EA	1	3	6	
57 - 58	30Z1333	1.1uF 2500V CAPACITOR	2	EA	2	6	12	2
61	P30Z1449	MAG COOLING FAN	1	EA	1	3	6	
63	P30Z1349	MAGNETRON 2M248H-B	2	EA	2	6	12	1
65	P11M0417	HT DIODE ASSY (EARTH+HT LEAD)	2	EA	2	6	12	1
68b	30Z0217	FUSE 1IN 10A HRC	2	EA	4	8	16	2
71	30Z0941	AXIAL FAN	1	EA	1	1	2	
76	30Z0901	LAMP - 5W FLOURSCENT - TURBOAIRE	1	EA	1	3	6	
77	P20Z1355	CERAMIC BASE (BASE PLATE)	1	EA	1	3	6	1
79	40M0877	ROOF - TURBOAIRE	1	EA	1	1	1	1
82	40M0508	TUNING STUB	2	EA	1	2	4	
83	P11M0344	HEATER ELEMENT ASSY - TURBOAIRE	1	EA	1	3	6	
84	40M0878	COOLING SLEEVE - TURBOAIRE	1	EA	1	1	1	
89	30Z0284	SOLENOID - 240V LH ASSEMBLY	1	EA	1	3	6	
90	30Z0010	SOLENOID - 240V RH ASSEMBLY	1	EA	1	3	6	
91	20Z0710	SOLENOID CORK WASHER	4	EA	2	6	12	
92	20Z0970	PLUNGER	2	EA	2	6	12	
106	40M1118	TOP PANEL HD 500 PAINTED	1	EA	1	2	4	
Not Shown	31Z0220	MOULDED PLUG & CABLE (NOTE-1 BELOW)	1	EA	1	3	6	
Not Shown	31Z1036	STRAIN RELIEF BUSHIN (NOTE-1 BELOW)	1	EA	1	3	6	



Merrychef HD Oven Range - All Models

Recommended Parts List

Recommended Min Stock Holding & Service List

Service Manual Exploded View	Part Number	Description	Qty Per Oven	Unit	1-10 Ovens	11-50 Ovens	51-100 Ovens	Recommended Service List
<b>HD1925 240Volts 50Hz - Unique Parts</b>								
1	P11M0269	REAR COVER ASSY (500)	1	EA	1	3	6	
8	P11M0392	DIECAST DOOR ASSY - BLUE	1	EA	1	6	12	
9	P40M1053	DOOR SCREEN (BLUE)	1	EA	1	2	3	
11	40M0919	DOORSIDE LH	1	EA	1	2	3	
12	40M0920	DOORSIDE RH	1	EA	1	2	3	
18	P40M0931	CHOKE FILLER	1	EA	1	2	3	
22	P40M0927	DOOR SEAL - 500MM HORIZONTAL	2	EA	1	1	2	
23	P40M0926	DOOR SEAL - 500MM VERTICAL	2	EA	1	1	2	
38	P11M0387	MEMBRANE ASSY BLUE - MICROCOOK	1	EA	2	6	12	
39	P11M0107	PCB ASSEMBLY - UNIVERSAL <b>LOGIC</b>	1	EA	2	6	12	1
49	P11M0427	<b>RELAY BOARD SUB-ASSEMBLY</b>	1	EA	2	6	12	1
52	11M0432	SPRING KIT 6 LEAF	1	EA	2	6	12	1
53	P30Z1233	50HZ TRANS MULTI 208 220 240	2	EA	1	3	6	
57 - 58	30Z1333	1.1uF 2500V CAPACITOR	2	EA	2	6	12	2
61	P30Z1449	MAG COOLING FAN	1	EA	1	3	6	
63	P30Z1349	MAGNETRON 2M248H-B	2	EA	2	6	12	1
65	P11M0417	HT DIODE ASSY (EARTH+HT LEAD)	2	EA	2	6	12	1
68b	30Z0217	FUSE 1IN 10A HRC	2	EA	4	8	16	2
71	30Z0941	AXIAL FAN	1	EA	1	1	2	
75	P11M0262	LAMP ASSEMBLY	1	EA	1	2	3	
76	30Z1239	BULB PEARL ES E27 230V 100W GL	1	EA	1	3	6	
77	P20Z1355	CERAMIC BASE (BASE PLATE)	1	EA	1	3	6	1
79	40M0563	ROOF	1	EA	1	2	4	1
82	40M0508	TUNING STUB	2	EA	1	2	4	
89	30Z0284	SOLENOID - 240V LH ASSEMBLY	1	EA	1	3	6	
90	30Z0010	SOLENOID - 240V RH ASSEMBLY	1	EA	1	3	6	
91	20Z0710	SOLENOID CORK WASHER	4	EA	2	6	12	
92	20Z0970	PLUNGER	2	EA	2	6	12	
106	40M1118	TOP PANEL HD 500 PAINTED	1	EA	1	2	4	
Not Shown	11M0457	3M MAINS CABLE ASSY (JDW MDL ONLY)	1	EA	2	6	12	
Not Shown	11M0458	MAINS CABLE ASSY EUROPE	1	EA	2	6	12	
Not Shown	11M0475	16A 2P+E MAINS LEAD ASSY (PIZZA HUT)	1	EA	2	6	12	
Not Shown	31Z0220	MOULDED PLUG & CABLE (NOTE-1 BELOW)	1	EA	1	3	6	
Not Shown	31Z0641	1925/2025 HV LOOM KIT		EA	1	2	4	
Not Shown	31Z1036	STRAIN RELIEF BUSHIN (NOTE-1 BELOW)	1	EA	1	3	6	
Not Shown	31Z1250	MAINS ON/OFF SWITCH COVER	1	EA	1	3	6	
Not Shown	31Z1251	MAINS ON/OFF SWITCH BEZEL	1	EA	1	3	6	
Not Shown	P11M0339	MAINS CABLE ASSY - MICROCOOK	1	EA	1	3	6	
Not Shown	P11M0426	22R GOLD RESISTOR ASSY	2	EA	1	3	6	

Merrychef HD Oven Range - All Models

Recommended Parts List

Recommended Min Stock Holding & Service List

Service Manual Exploded View	Part Number	Description	Qty Per Oven	Unit	1-10 Ovens	11-50 Ovens	51-100 Ovens	Recommended Service List
<b>HD1925 Turboaire 240Volts 50Hz - Unique Parts - Production Ceased - Feb 2008</b>								
1	P11M0269	REAR COVER ASSY (500)	1	EA	1	3	6	
8	P11M0392	DIECAST DOOR ASSY	1	EA	1	6	12	
9	P40M1053	DOOR SCREEN (BLUE)	1	EA	1	2	3	
11	40M0919	DOORSIDE LH	1	EA	1	2	3	
12	40M0920	DOORSIDE RH	1	EA	1	2	3	
18	P40M0931	CHOKE FILLER	1	EA	1	2	3	
22	P40M0927	DOOR SEAL - 500MM HORIZONTAL	2	EA	1	1	2	
23	P40M0926	DOOR SEAL - 500MM VERTICAL	2	EA	1	1	2	
38	P11M0386	MEMBRANE ASSY BLUE - TURBOAIRE	1	EA	2	6	12	
39	P11M0359	PCB ASSY - TURBOAIRE <b>LOGIC MK2</b>	1	EA	2	6	12	1
49	P11M0430	<b>RELAY</b> PCB ASSEMBLY - TURBOAIRE	1	EA	2	6	12	1
50	P11M0261	FAN CONTROL PCB - TURBOAIRE	1	EA	3	9	18	1
52	11M0432	SPRING KIT 6 LEAF	1	EA	2	6	12	1
53	P30Z1233	50HZ TRANS MULTI 208 220 240	2	EA	1	3	6	
57 - 58	30Z1333	1.1uF 2500V CAPACITOR	2	EA	2	6	12	2
61	P30Z1449	MAG COOLING FAN	1	EA	1	3	6	
63	P30Z1349	MAGNETRON 2M248H-B	2	EA	2	6	12	1
65	P11M0417	HT DIODE ASSY (EARTH+HT LEAD)	2	EA	2	6	12	1
68b	30Z0217	FUSE 1IN 10A HRC	2	EA	4	8	16	2
71	30Z0941	AXIAL FAN	1	EA	1	1	2	
76	30Z0901	LAMP - 5W FLOURSCENT - TURBOAIRE	1	EA	1	3	6	
77	P20Z1355	CERAMIC BASE (BASE PLATE)	1	EA	1	3	6	1
79	40M0877	ROOF - TURBOAIRE	1	EA	1	1	1	1
82	40M0508	TUNING STUB	2	EA	1	2	4	
83	P11M0344	HEATER ELEMENT ASSY - TURBOAIRE	1	EA	1	3	6	
84	40M0878	COOLING SLEEVE - TURBOAIRE	1	EA	1	1	1	
89	30Z0284	SOLENOID - 240V LH ASSEMBLY	1	EA	1	3	6	
90	30Z0010	SOLENOID - 240V RH ASSEMBLY	1	EA	1	3	6	
91	20Z0710	SOLENOID CORK WASHER	4	EA	2	6	12	
92	20Z0970	PLUNGER	2	EA	2	6	12	
106	40M1118	TOP PANEL HD 500 PAINTED	1	EA	1	2	4	
Not Shown	31Z0220	MOULDED PLUG & CABLE (NOTE-1 BELOW)	1	EA	1	3	6	
Not Shown	31Z1036	STRAIN RELIEF BUSHIN (NOTE-1 BELOW)	1	EA	1	3	6	

Merrychef HD Oven Range - All Models

Recommended Parts List

Recommended Min Stock Holding & Service List

Service Manual Exploded View	Part Number	Description	Qty Per Oven	Unit	1-10 Ovens	11-50 Ovens	51-100 Ovens	Recommended Service List
<b>HD1925 KFC 240Volts 50Hz - Unique Parts</b>								
1	P11M0269	REAR COVER ASSY (500)	1	EA	1	3	6	
8	P11M0393	DIECAST DOOR ASSY - <b>KFC</b>	1	EA	1	2	3	
9	P40M1053	DOOR SCREEN (BLUE)	1	EA	1	2	3	
11	40M0919	DOORSIDE LH	1	EA	1	2	3	
12	40M0920	DOORSIDE RH	1	EA	1	2	3	
18	P40M0931	CHOKE FILLER	1	EA	1	2	3	
22	P40M0927	DOOR SEAL - 500MM HORIZONTAL	2	EA	1	1	2	
23	P40M0926	DOOR SEAL - 500MM VERTICAL	2	EA	1	1	2	
38	P11M0394	MICROCOOK MEMBRANE ASSY (KFC)	1	EA	1	6	12	
39	P11M0416	MICROCOOK HD OPTIC <b>LOGIC</b> PCB - <b>KFC</b>	1	EA	2	6	12	1
49	P11M0285	<b>RELAY</b> PCB MICROCOOK CD (KFC)	1	EA	2	6	12	1
52	11M0432	SPRING KIT 6 LEAF	1	EA	2	6	12	1
53	P30Z1233	50HZ TRANS MULTI 208 220 240	2	EA	1	3	6	
57 - 58	30Z1333	1.1uF 2500V CAPACITOR	2	EA	2	6	12	2
61	P30Z1449	MAG COOLING FAN	1	EA	1	3	6	
63	P30Z1171	MAGNETRON 2M244-M12 (KFC ONLY) (NOTE-3 BELOW)	2	EA	2	6	12	1
63	P30Z1349	MAGNETRON 2M248H-B (NOTE-3 BELOW)	2	EA	2	6	12	1
65	P11M0364	FIBRE OPTIC DIODE PCB	2	EA	2	6	12	1
68b	30Z0217	FUSE 1IN 10A HRC	2	EA	4	8	16	2
71	30Z0941	AXIAL FAN	1	EA	1	1	2	
75	P11M0262	LAMP ASSEMBLY	1	EA	1	2	3	
76	30Z1239	BULB PEARL ES E27 230V 100W GL	1	EA	1	3	6	
77	P20Z1355	CERAMIC BASE (BASE PLATE)	1	EA	1	3	6	1
79	40M0563	ROOF	1	EA	1	2	4	1
82	40M0508	TUNING STUB	2	EA	1	2	4	
105	P10C0148	MENUKEY ASSY MEALSTREAM	1	EA	1	6	12	
106	40M1119	TOP PANEL + MK PAINTED (KFC)	1	EA	1	2	3	
107	11H0064	MENUKEY CONNECTION LEAD	1	EA	1	3	6	
Not Shown	11M0457	3M MAINS CABLE ASSY (JDW MDL ONLY)	1	EA	2	6	12	
Not Shown	11M0458	MAINS CABLE ASSY EUROPE	1	EA	2	6	12	
Not Shown	31Z0220	MOULDED PLUG & CABLE (NOTE-1 BELOW)	1	EA	1	3	6	
Not Shown	31Z0239	FIBRE OPTIC CABLE	1	MT	1	2	4	
Not Shown	31Z0641	1925/2025 HV LOOM KIT		EA	1	2	4	
Not Shown	31Z1036	STRAIN RELIEF BUSHIN (NOTE-1 BELOW)	1	EA	1	3	6	
Not Shown	31Z1250	MAINS ON/OFF SWITCH COVER	1	EA	1	3	6	
Not Shown	31Z1251	MAINS ON/OFF SWITCH BEZEL	1	EA	1	3	6	
Not Shown	P11M0339	MAINS CABLE ASSY - MICROCOOK	1	EA	1	3	6	

Merrychef HD Oven Range - All Models

Recommended Parts List

Recommended Min Stock Holding & Service List

Service Manual Exploded View	Part Number	Description	Qty Per Oven	Unit	1-10 Ovens	11-50 Ovens	51-100 Ovens	Recommended Service List
<b>HD2025 240Volts 50Hz - Unique Parts - Production Ceased - Feb 2016</b>								
8	P11M0391	DOOR ASSEMBLY - BLUE (650 OVEN)	1	EA	1	6	12	
9	P40M1054	DOOR SCREEN (BLUE) - 650 OVEN	1	EA	1	2	3	
11	40M0802	DOORSIDE RH 650 DOOR	1	EA	1	2	4	
12	40M0801	DOORSIDE LH 650 DOOR	1	EA	1	2	4	
18	P40M0862	CHOKE FILLER HORIZONTAL (650 OVEN)	2	EA	2	6	12	
19	P40M0924	CHOKE FILLER VERTICAL (650 OVEN)	2	EA	2	6	12	
22	P40M0861	DOOR SEAL - 650MM HORIZONTAL	2	EA	2	6	12	
23	P20Z0499	SEAL - VERTICAL - 500 MK 1 & 3	2	EA	2	6	12	
38	P11M0388	MEMBRANE ASSY BLUE (650 OVEN)	1	EA	2	6	12	
39	P11M0107	PCB ASSEMBLY - UNIVERSAL LOGIC	1	EA	2	6	12	1
49	P11M0427	RELAY BOARD SUB-ASSEMBLY	1	EA	2	6	12	1
52	11M0433	SPRING KIT 7 LEAF (650 OVEN)	1	EA	4	12	24	1
53	P30Z1233	50HZ TRANS MULTI 208 220 240	2	EA	1	3	6	
57 - 58	30Z1333	1.1uF 2500V CAPACITOR	2	EA	2	6	12	2
61	P30Z1449	MAG COOLING FAN	1	EA	1	3	6	
63	P30Z1349	MAGNETRON 2M248H-B	2	EA	2	6	12	1
65	P11M0417	HT DIODE ASSY (EARTH+HT LEAD)	2	EA	2	6	12	1
68b	30Z0217	FUSE 1IN 10A HRC	2	EA	4	8	16	2
71	30Z0941	AXIAL FAN	1	EA	1	1	2	
75	P11M0262	LAMP ASSEMBLY	1	EA	1	2	3	
76	30Z1239	BULB PEARL ES E27 230V 100W GL	1	EA	1	3	6	
77	P40M0853	CERAMIC BASE (650 OVEN) (BASE PLATE)	1	EA	1	3	6	1
79	40M0563	ROOF	1	EA	1	2	4	1
82	40M0539	TUNING STUB - 600/650 OV	2	EA	1	2	4	
89	30Z0284	SOLENOID - 240V LH ASSEMBLY	1	EA	1	3	6	
90	30Z0010	SOLENOID - 240V RH ASSEMBLY	1	EA	1	3	6	
91	20Z0710	SOLENOID CORK WASHER	4	EA	2	6	12	
92	20Z0970	PLUNGER	2	EA	2	6	12	
Not Shown	11M0459	MAINS CABLE ASSY - HD2025 UK	1	EA	2	6	12	
Not Shown	11M0460	MAINS CABLE ASSY - EUROPE - 650 OVEN	1	EA	2	6	12	
Not Shown	31Z0220	MOULDED PLUG & CABLE (NOTE-1 BELOW)	1	EA	1	3	6	
Not Shown	31Z0641	1925/2025 HV LOOM KIT		EA	1	2	4	
Not Shown	31Z1036	STRAIN RELIEF BUSHIN (NOTE-1 BELOW)	1	EA	1	3	6	
Not Shown	31Z1250	MAINS ON/OFF SWITCH COVER	1	EA	1	3	6	
Not Shown	31Z1251	MAINS ON/OFF SWITCH BEZEL	1	EA	1	3	6	
Not Shown	P11M0426	22R GOLD RESISTOR ASSY	2	EA	1	3	6	

**HD 500mm Non-Diecast Door Parts**

Not Shown	P40M0924	CHOKE FILLER 500mm VERT	2	EA	2	6	12	
Not Shown	P40M0925	CHOKE FILLER 500mm HORIZ	2	EA	2	6	12	

52	11M0355	SPRING KIT 10 LEAF BK OVENS ONLY	1	EA	2	6	12	
----	---------	----------------------------------	---	----	---	---	----	--

<p>NOTES</p> <p><b>NOTE-1</b> MAINS LEAD &amp; STRAIN RELIEF - PRE JAN 2010</p> <p><b>NOTE-2</b> FROM FEB 2016 11M0473 CHANGED TO 11M0474</p> <p><b>NOTE-3</b> FROM OCT 2017 KFC MODELS ARE FITTED WITH <a href="#">P30Z1349</a> MAGNETRONS - ALWAYS FIT LIKE-FOR-LIKE !</p>
--

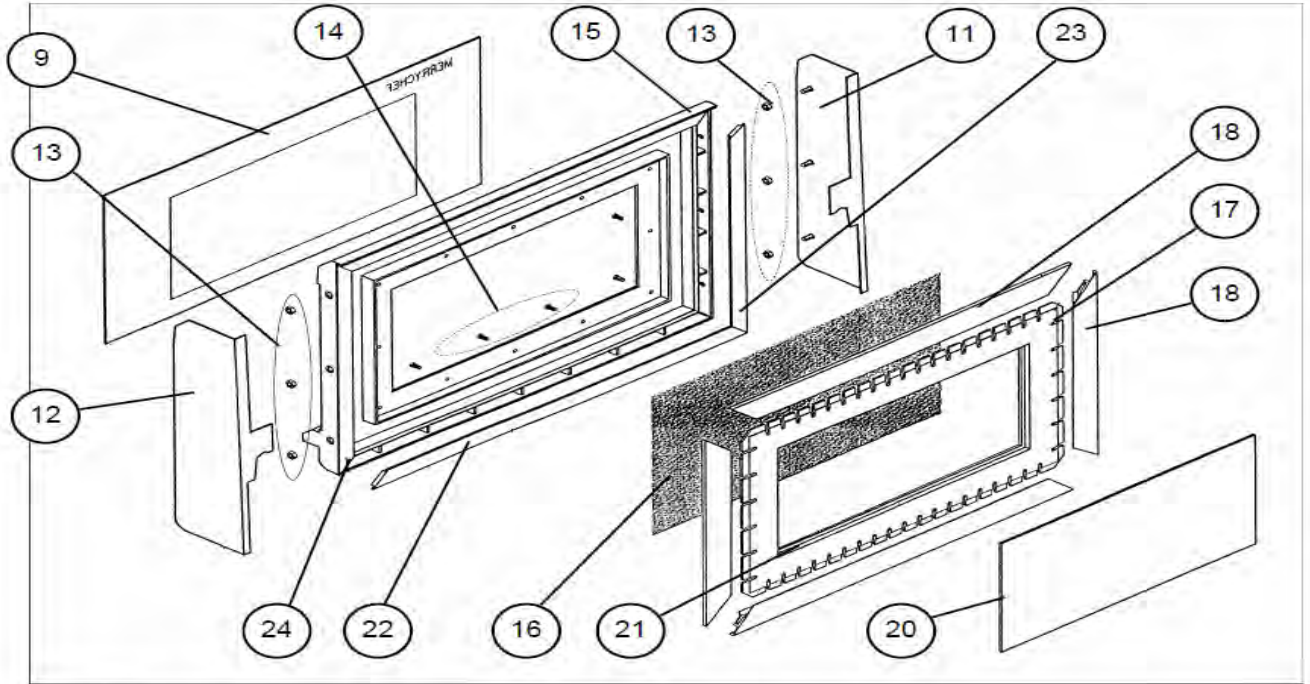
Merrychef HD Oven Range - All Models

Recommended Parts List

Recommended Min Stock Holding & Service List

Service Manual Exploded View	Part Number	Description	Qty Per Oven	Unit	1-10 Ovens	11-50 Ovens	51-100 Ovens	Recommended Service List
------------------------------	-------------	-------------	--------------	------	------------	-------------	--------------	--------------------------

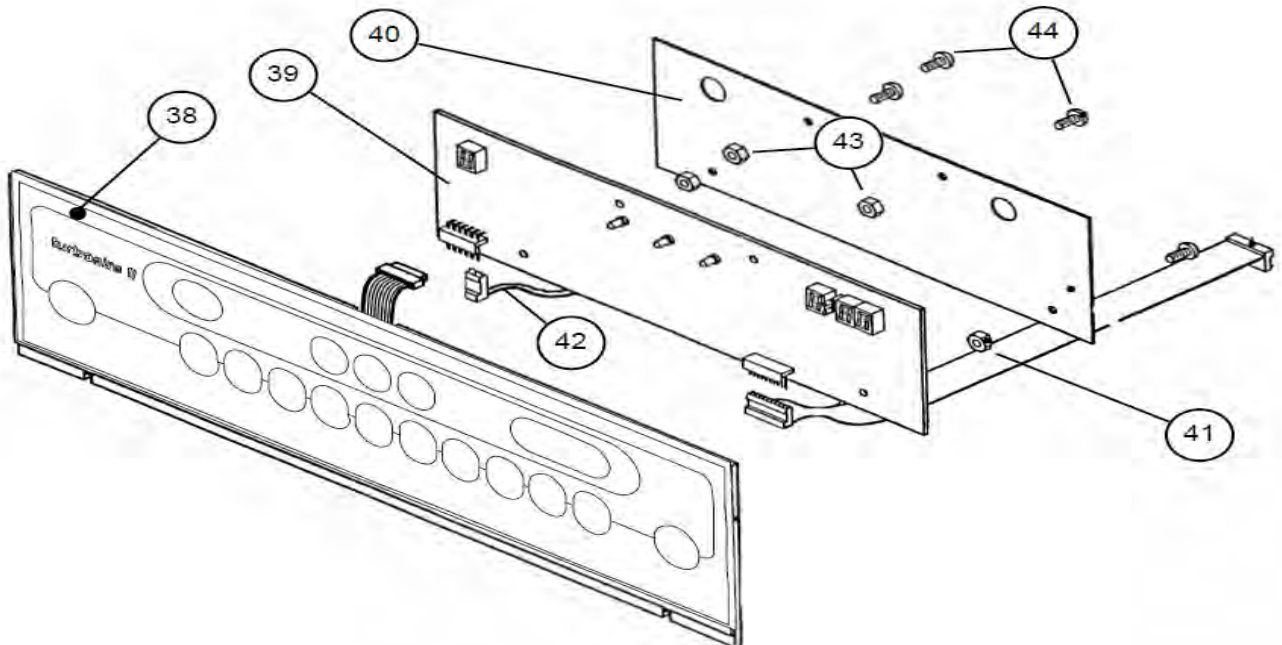
**Door assembly (500mm, Die Cast) 11M0392**  
**Microcook HD1025, HD1425, HD1725, HD1925 and TA**



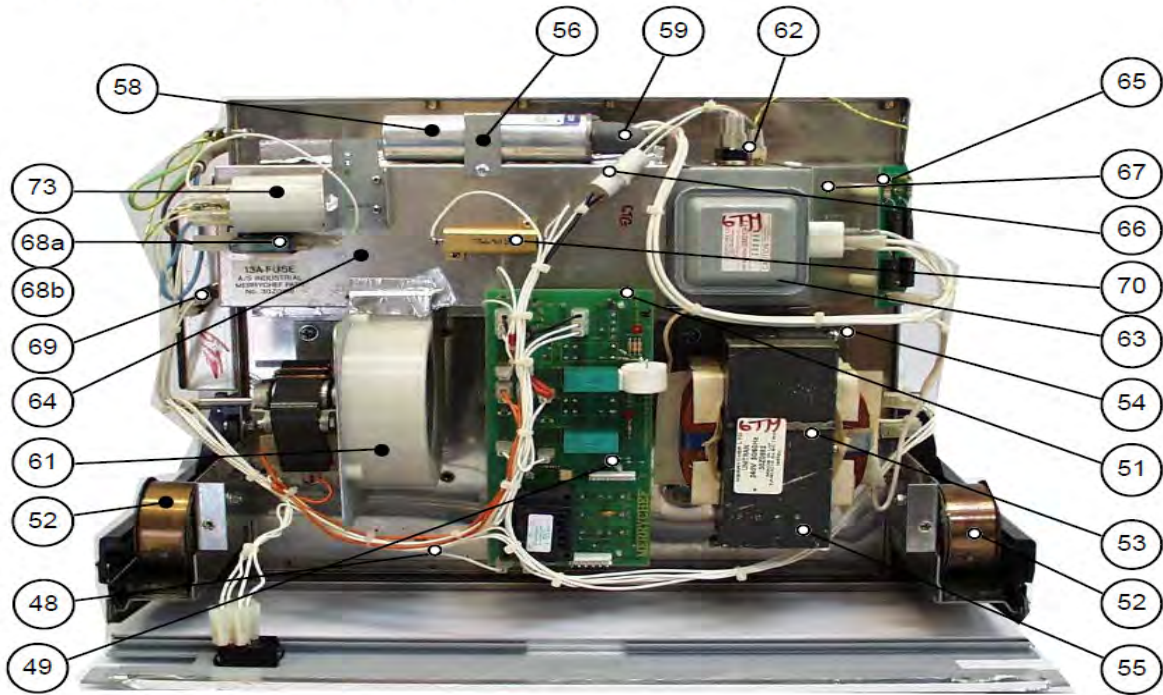
Note:  
 Item 18 choke filler is now one piece

Items 15 Door Main Body, 16 Door Mesh, 17 Door Choke and 20 Door Inner Glass are part of Item 8 Door Assembly and not supplied separately

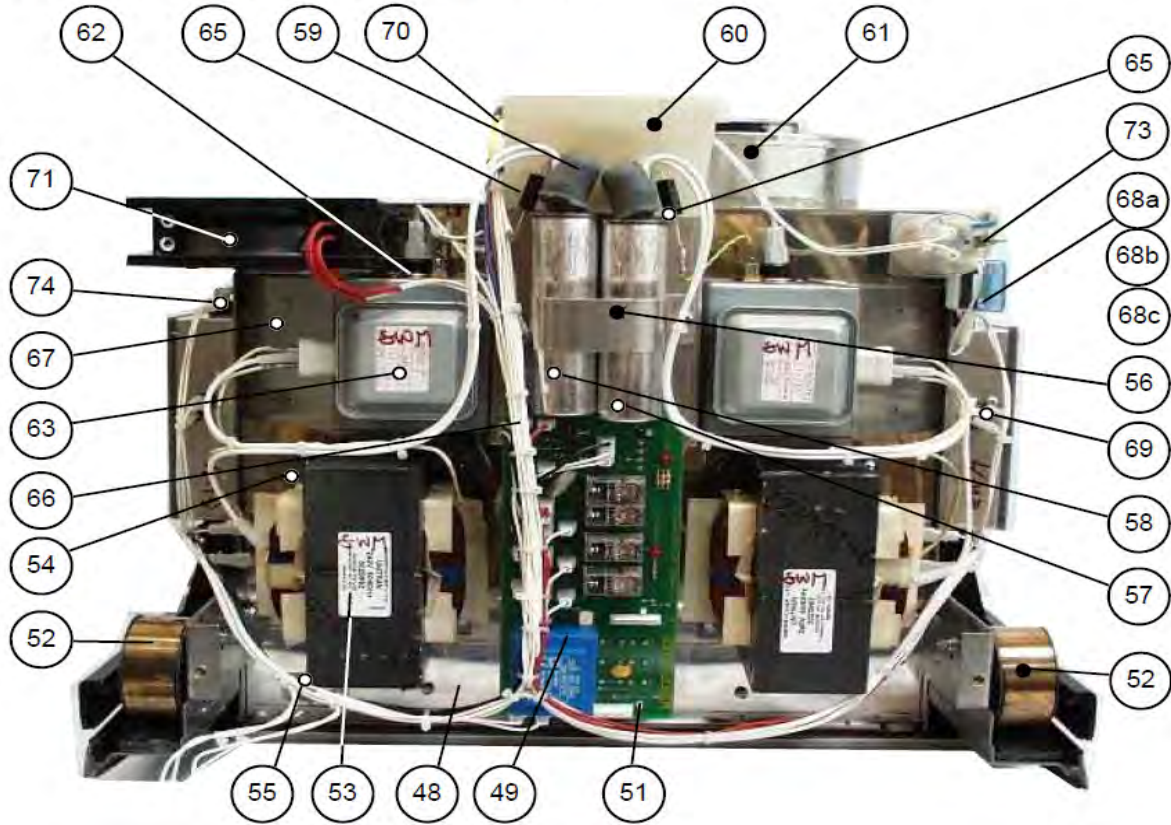
**Control panel assembly**



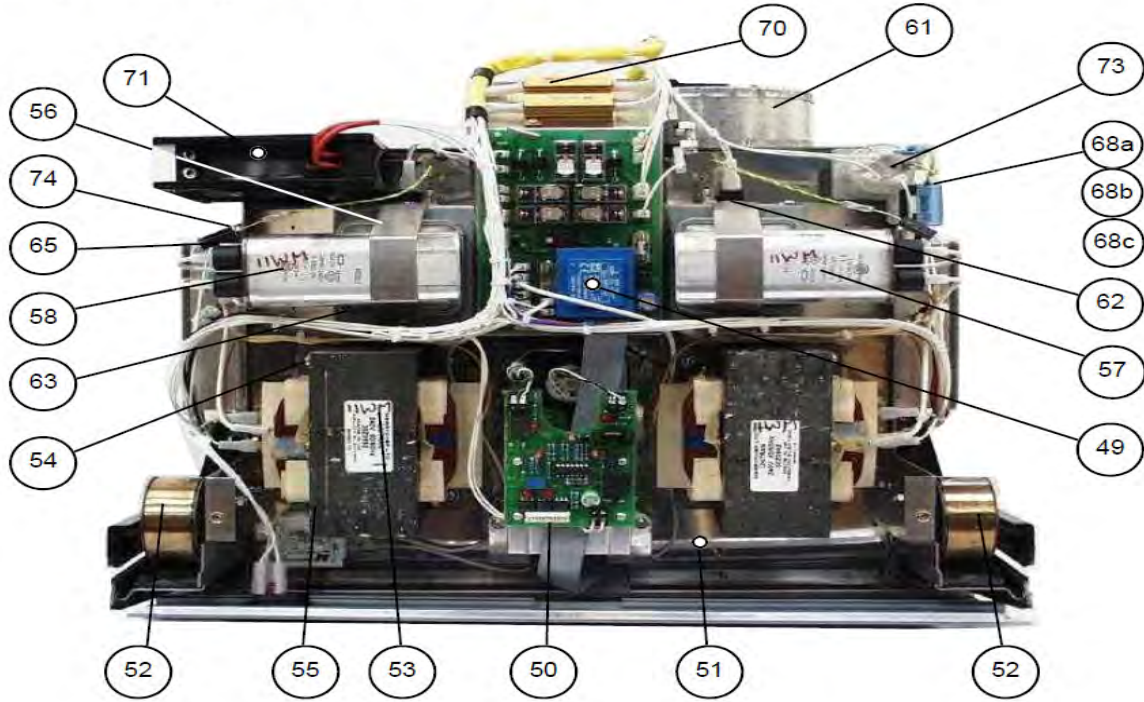
### Component layout: HD1025



**Component layout: HD1425 & HD1725**

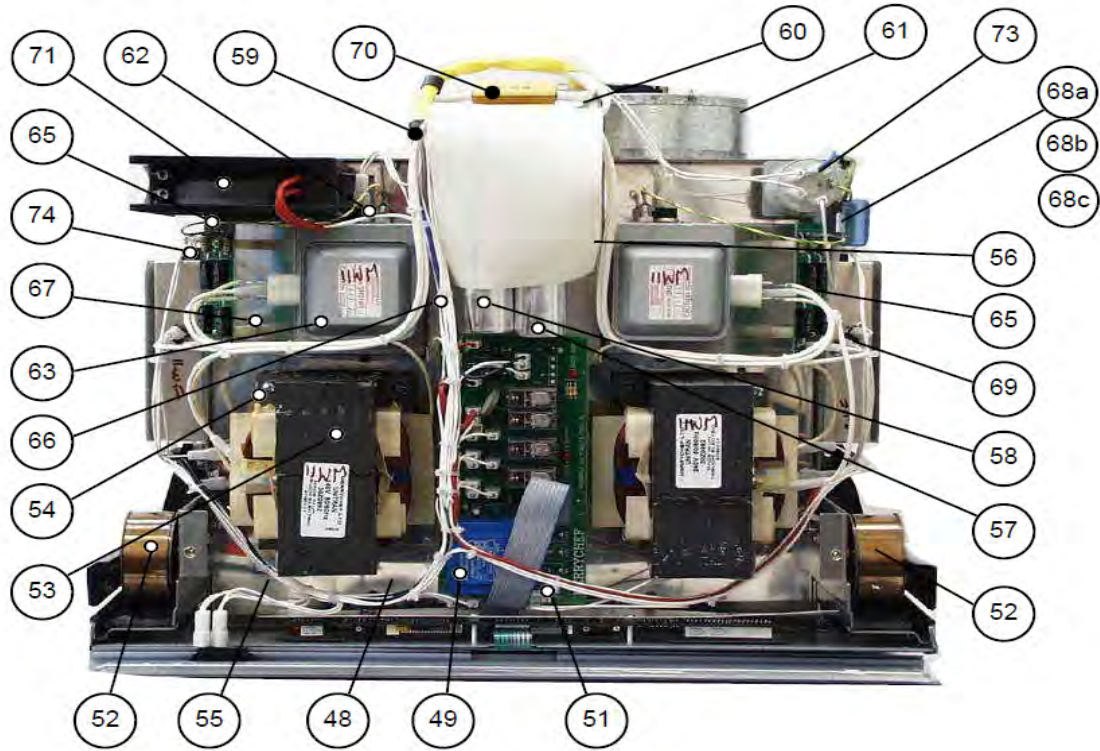


### Component layout: TA1725 & TA1925



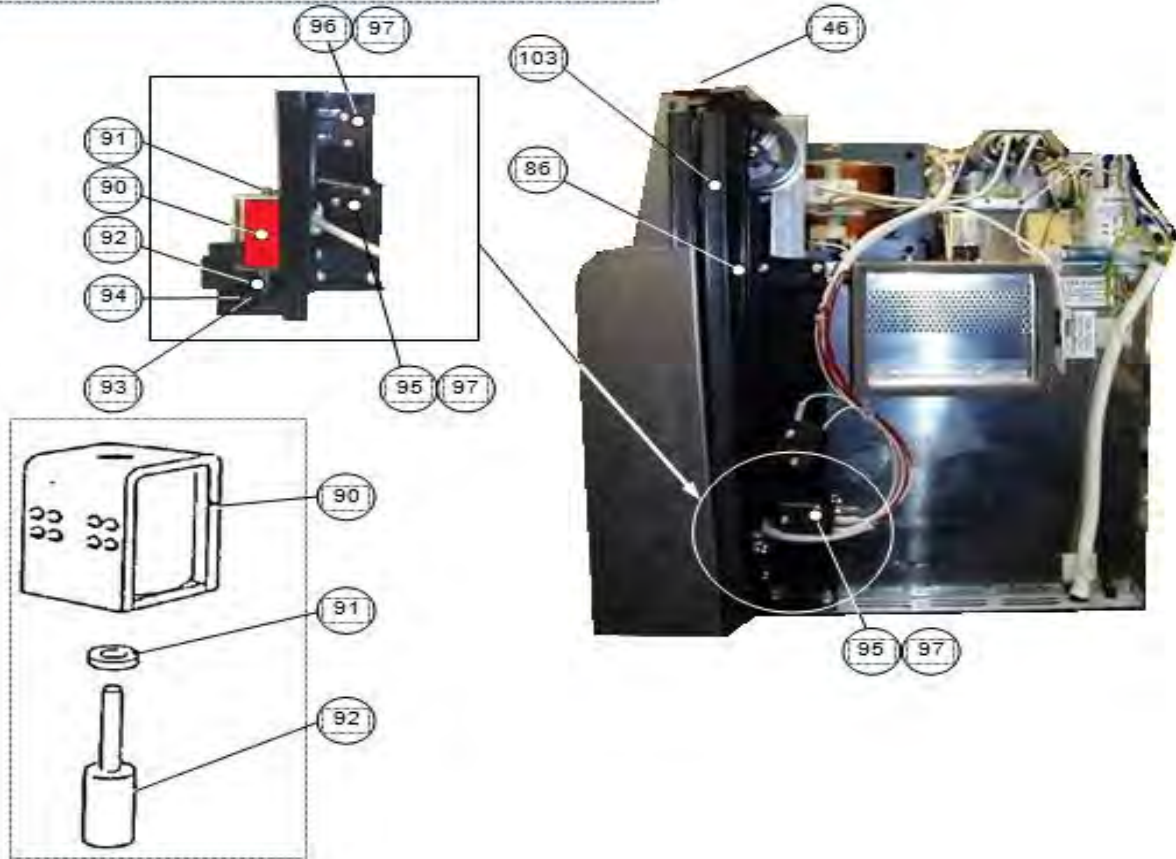


**Component layout: HD1925**

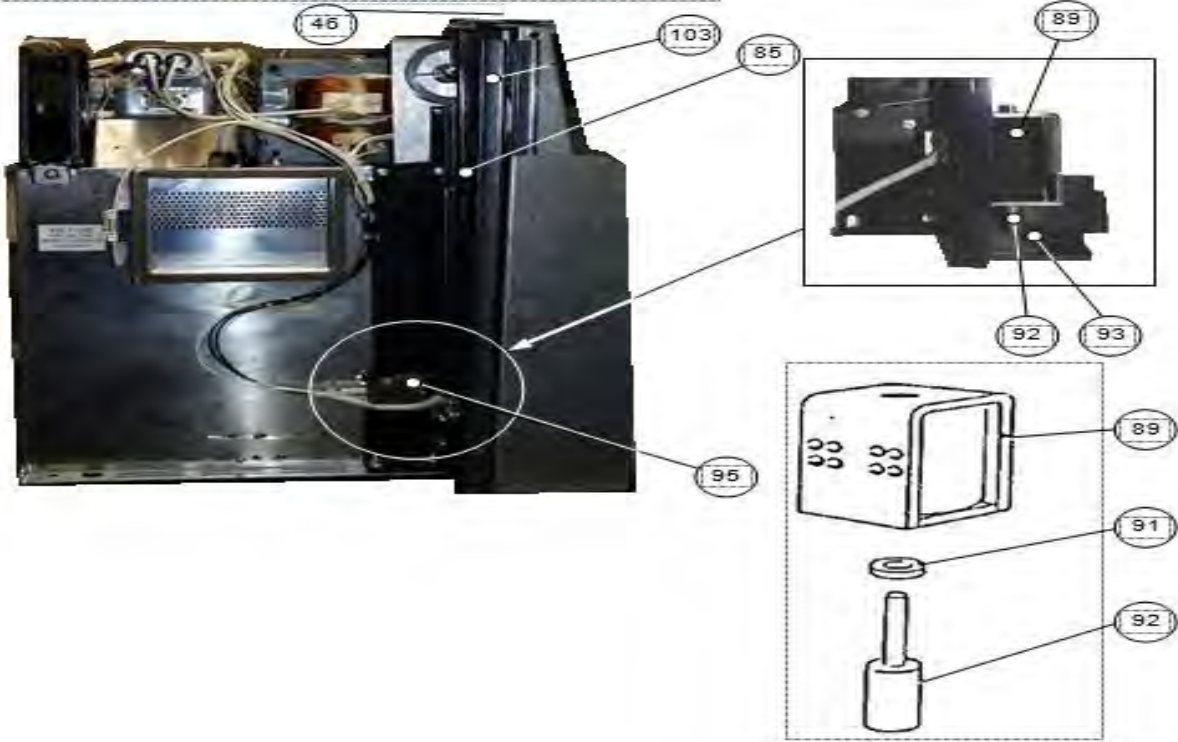


**Door Opening Mechanism: Right Side**

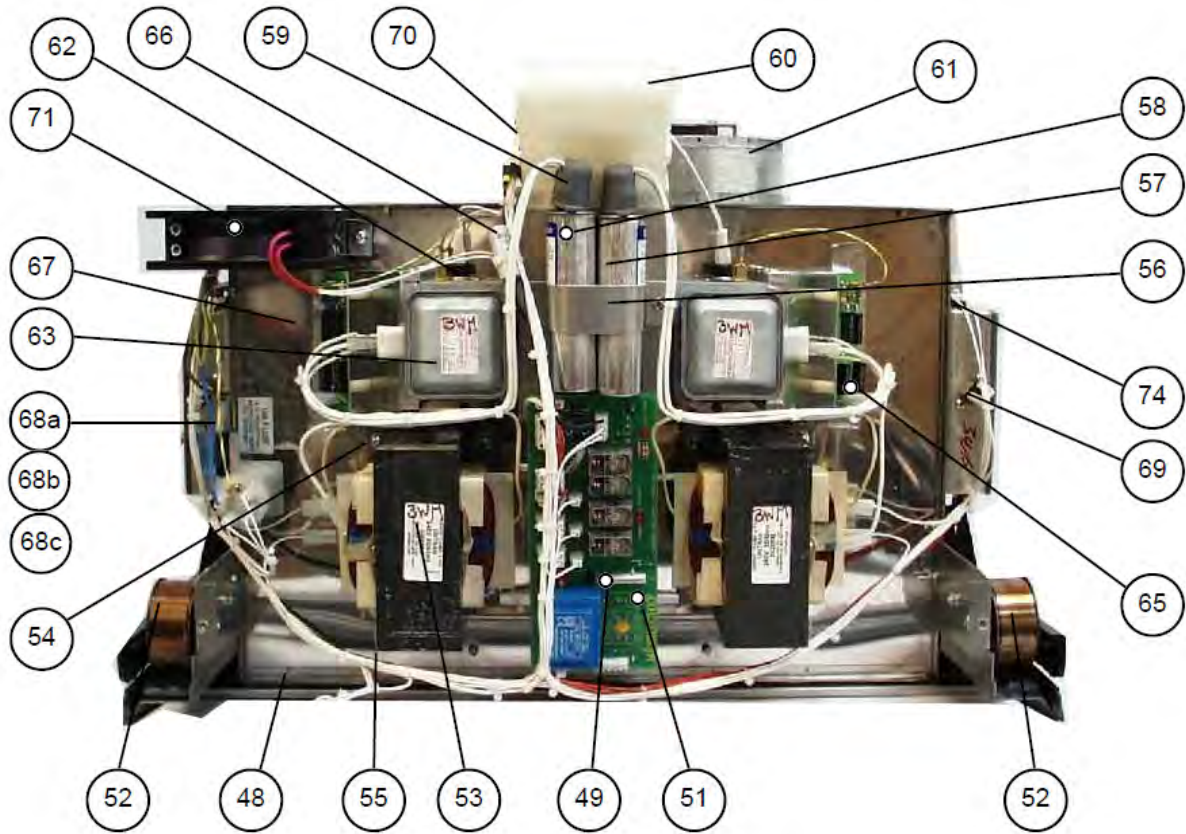
HD1025 & HD1925 KFC models are fitted with Manual Doors and do not have the Pop-up door solenoid assembly



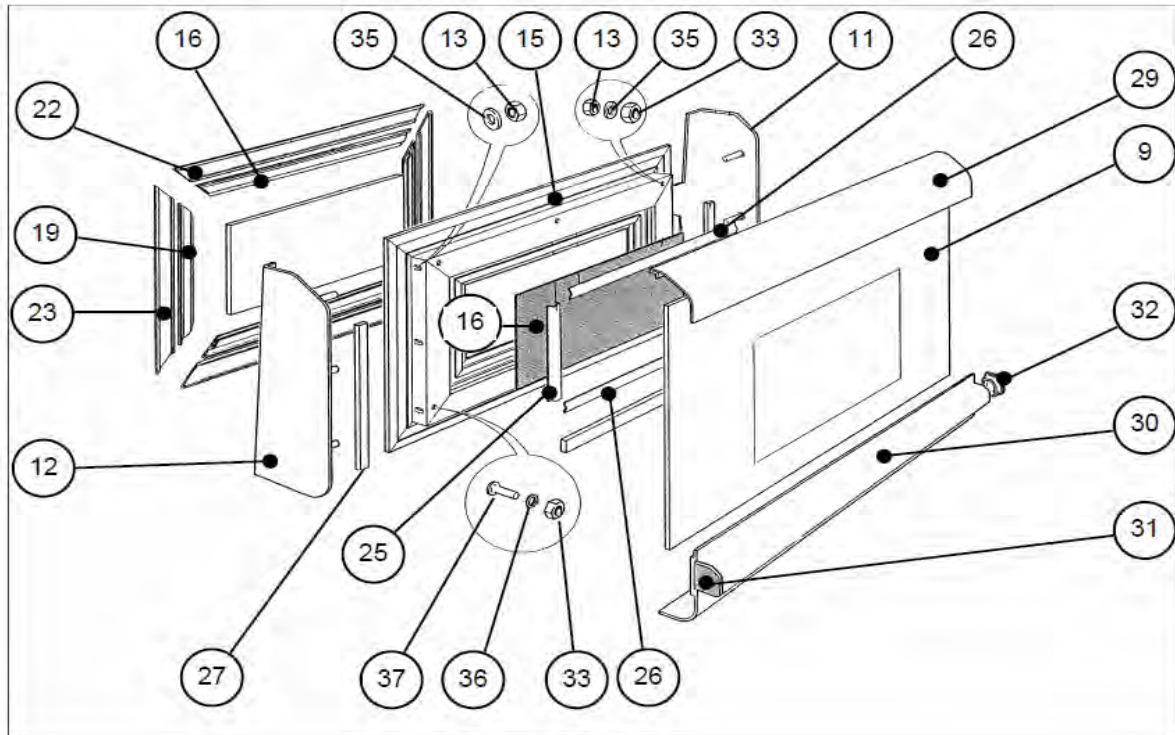
**Door Opening Mechanism: Left Side**  
 HD1025 & HD1925 KFC models are fitted with Manual Doors and do not have the Pop-up door solenoid assembly



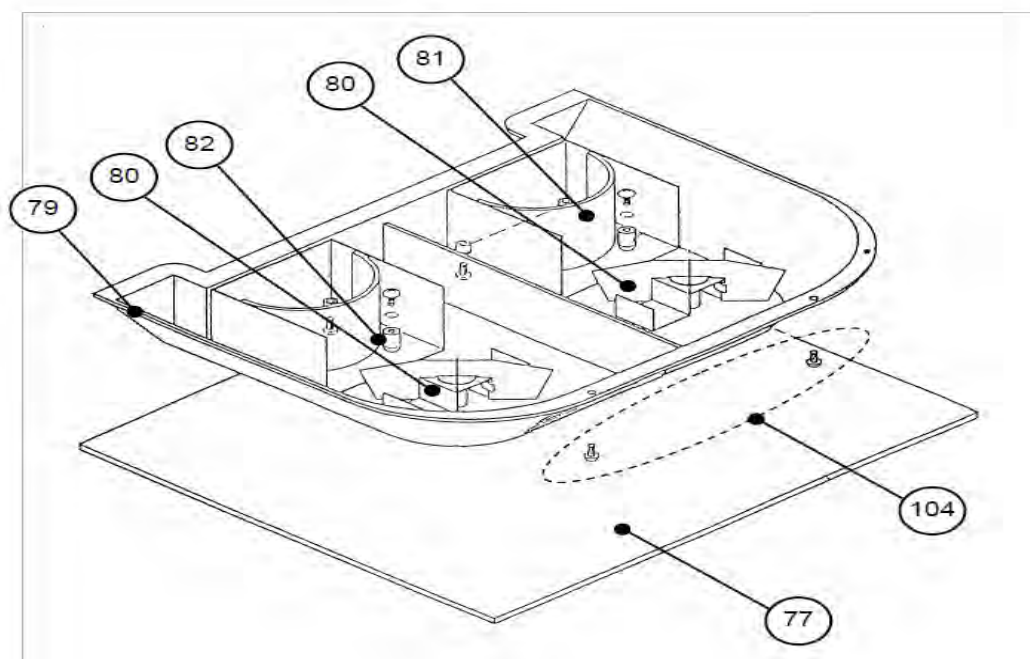
### Component layout: HD2025



**Door assembly (650mm, Die Cast) 11M0391  
Microcook HD2025**

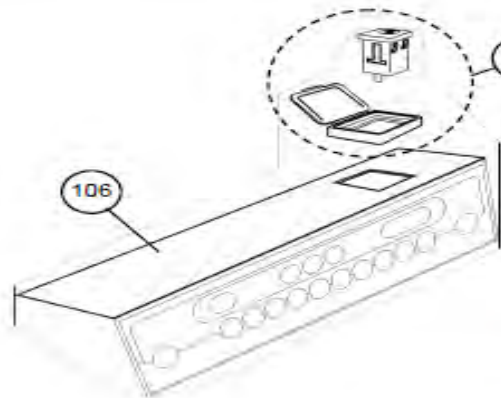
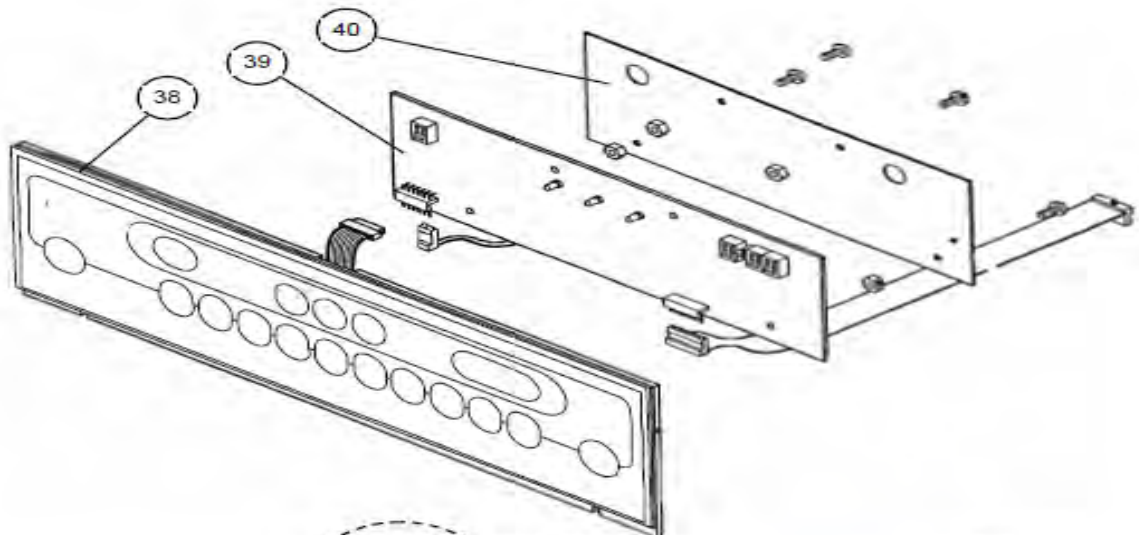


**Cavity components**



**KFC models**

As Microcook HD1925 except the following parts:



## Merrychef eikon e2 Oven

Recommended Parts List **Production Ceased - August 2017**

## Recommended Min Stock Holding &amp; Service List

Service Manual Exploded View	Part Number	Description	Qty Per Oven	Unit	1-10 Ovens	11-50 Ovens	51-100 Ovens	Recommended Service List
1	31Z4046	M3 CAGE NUT	7	EA	7	21	42	
1-50-51-73-78	PSJ225	INNER DOOR ASSY e2	1	EA	1	3	6	
2	2175164	3/32 X 3/4 SLIT PIN	1	EA	1	3	6	
6	30Z0503	SWITCH ON/OFF ROCKER DPST	1	EA	1	3	6	1
15	P30Z1472	MAGNETRON	1	EA	1	3	6	1
16	30Z1473	MTR SPEED CONTROLLER e2	1	EA	1	3	6	
18	30Z1477	e2 MICROSWITCH SHORT ARM	3	EA	3	9	18	3
18 x2	PSJ160	e2 DOOR MICROSWITCH KIT	1	EA	1	3	6	
19	SJ358	e2 CAVITY THERMOCOUPLE	1	EA	1	3	6	1
20	30Z1480	e2/e6 MAG HI LIMIT STAT	1	EA	1	3	6	1
21	P30Z5009	TOUCH SCREEN PCB	1	EA	1	3	6	1
23	31Z0186	SILASTIC BLACK (DOOR SEAL)		TUBE	1	3	6	1
25	31Z0688	PATCH CABLE 0.5m QTS-SRB	1	EA	1	3	6	
26	31Z0600	USB ADAPTOR MODULE	1	EA	1	3	6	
28	31Z0652	2-WAY TERMINAL BLOCK	1	EA	1	3	6	
33	31Z1328	PLUG 1/2 INCH RND KICKEL	6	EA	6	18	36	
34	31Z1252	BOLT M4 X 10 HEX HD (PARTITION PLATE)	18	EA	18	54	108	
36	32Z7069	PERSONALITY MODULE e2 SRB	1	EA	1	3	6	1
37	32Z7072	PERSONALITY MODULE e2 QTS	1	EA	1	3	6	1
39	DJ0009	HORN COVER FRAME e2	1	EA	1	3	6	
41	DJ0024	UNDER DOOR COVER ASSY	1	EA	1	3	6	
42	DJ0063	DRIP PAN FINISHED e2	1	EA	1	3	6	
44 & 47	PSJ161	e2/e6 PARTITION PLATE KIT	2	EA	2	6	12	2
45	DJ0077	DOOR CHOKE PLATE	1	EA	1	3	6	
46	DJ0078	CAPACITOR CLIP e2	1	EA	1	3	6	
48	DJ0080	e2 CATALYST	1	EA	1	3	6	
49	DJ0081	e2 HEATER ELEMENT	1	EA	1	3	6	
50 & 51	SJ317	e2 DOOR INSULATION KIT V2	1	EA	1	3	6	
52	DJ0100	e2 BASE SEAL	1	EA	1	3	6	
53	DR0009	MERRYCHEF BADGE GUIDE	2	EA	2	6	12	
54	DR0011	TOUCHSCREEN OVERLAY	1	EA	1	3	6	1
55	DR0021	HARMONISED SPEAKER	1	EA	1	3	6	
57	DR0045	SPEAKER WIRE	1	EA	1	3	6	
58	DR0049	MERRYCHEF BADGE SMALL	1	EA	1	3	6	
59	DR0050	MERRYCHEF BADGE SEAL SM	1	EA	1	3	6	
60	DR0051	MERRYCHEF BADGE SLIDER SM	1	EA	1	3	6	
61	DV0370	LOWER IMPINGER HANDLE	1	EA	1	3	6	
62	DR0030	HANDLE SPACER	2	EA	2	6	12	
62	DV0431	DOOR HANDLE	1	EA	1	3	6	
63	DV0552	GEAR - STIRRER WHEEL	1	EA	1	3	6	
67	PSJ202	STIRRER MOTOR ASSY	1	EA	1	3	6	
68	SJ302	WAVEGUIDE ASSY e2	1	EA	1	3	6	
70	PSJ204	e2 STIRRER ASSY	1	EA	1	3	6	
71 & 61	PSJ209	e2 JET PLATE ASSY	1	EA	1	3	6	
72	PSR109	DIODE REPLACEMENT KIT	1	EA	1	3	6	1
74	PSJ226	OUTER DOOR SKIN ASSY e2	1	EA	1	3	6	
76	SJ301	STEAM TUBE ASSY e2	1	EA	1	3	6	
77	SJ310	GREASE FILTER ASSY e2	2	EA	2	6	12	
78	PSJ313	DOOR GASKET	1	EA	1	3	6	1
81-83-84	PSJ152	e2 DOOR HINGE KIT	1	EA	1	3	6	1
82	PSJ153	e2 DOOR ASSY (COMPLETE)	1	EA	1	3	6	
Not Numbered	DJ0054	CONTROL PANEL FINISHED	1	EA	1	3	6	
Not Numbered	SJ305	CAVITY ASSY e2	1	EA	1	3	6	
Not Shown	30Z1457	eikon SRB 1.25V FUSE	1	EA	1	3	6	1
Not Shown	31Z1302	BADGE RETAINING SPRING	1	EA	1	3	6	
Not Shown	31Z1320	e2/e6 DOOR SWITCH SPACER	3	EA	3	9	18	
Not Shown	DJ0083	HORN QUARTZ	2	EA	2	6	12	
Not Shown	DX0094	SILICONE FOAM TAPE CUT	1	EA	1	3	6	
Not Shown	SJ311	MOTOR MOUNT ASSY e2	1	EA	1	3	6	
Not Shown	SJ318	e2 CAVITY INSULATION KIT V3	1	EA	1	3	6	

## Merrychef eikon e2 Oven

Recommended Parts List **Production Ceased - August 2017**

## Recommended Min Stock Holding &amp; Service List

Service Manual Exploded View	Part Number	Description	Qty Per Oven	Unit	1-10 Ovens	11-50 Ovens	51-100 Ovens	Recommended Service List
<b>eikon e2 230Volts 50Hz 13A - UK - Unique Parts</b>								
3	<a href="#">30Z0217</a>	FUSE 1in 10A HRC	1	EA	1	3	6	1
4	<a href="#">30Z0231</a>	FUSEHOLDER 1in (13A)	2	EA	2	6	12	
5	<a href="#">30Z0394</a>	FUSE 1in 7A HRC	1	EA	1	3	6	1
6	<a href="#">31Z1250</a>	MAINS ON/OFF SWITCH COVER	1	EA	1	3	6	
6	<a href="#">31Z1251</a>	MAINS ON/OFF SWITCH BEZEL	1	EA	1	3	6	
7	<a href="#">30Z1177</a>	20 AMP LITTLEFUSE FLM020	2	EA	2	6	12	2
8	<a href="#">30Z1178</a>	30A FUSE HOLDER	2	EA	2	6	12	
11	<a href="#">30Z1482</a>	e2 MAINS FILTER 20VT-1	1	EA	1	3	6	
12	<a href="#">30Z1455</a>	TRANSFORMER LV CLASS 2	1	EA	1	3	6	1
13	<a href="#">30Z1431</a>	1.2uF 2500V CAPACITOR	1	EA	1	3	6	1
14	<a href="#">30Z1440</a>	RELAY 240V OMRON	1	EA	1	3	6	1
17	<a href="#">30Z1475</a>	CABINET FAN e2 LRG	2	EA	2	6	12	
17	<a href="#">30Z1542</a>	e2 FAN MOTOR AC 4300 H	1	EA	1	3	6	
22	<a href="#">30Z5014</a>	CONTROL PCB e2 <b>SRB</b> VDE	1	EA	1	3	6	1
27	<a href="#">31Z0651</a>	3-WAY TERMINAL BLOCK	2	EA	2	6	12	
29	<a href="#">31Z1308</a>	CABLE GLAND PG16	1	EA	1	3	6	
30	<a href="#">31Z1309</a>	GLAND NUT PG16	1	EA	1	3	6	
32	<a href="#">SJ371</a>	ROBUST AIR FILTER EU	1	EA	1	3	6	1
43	<a href="#">SJ325</a>	e2 LID ASSY EU	1	EA	1	3	6	
56	<a href="#">DR0042</a>	OVERHEAT SAFETY STAT	1	EA	1	3	6	1
64	<a href="#">P11M0339</a>	MAINS CABLE ASSY	1	EA	1	3	6	
65	<a href="#">P30Z1413</a>	230V 50Hz TRANSFORMER	1	EA	1	3	6	
69	<a href="#">PSJ262</a>	e2 CONVECTION MOTOR KIT	1	EA	1	3	6	1
75	<a href="#">SJ320</a>	e2 BACK PANEL ASSY EU	1	EA	1	3	6	
79	<a href="#">SJ314</a>	SIDE COVER RHS ASSY e2	1	EA	1	3	6	
80	<a href="#">SJ315</a>	SIDE COVER LHS ASSY e2	1	EA	1	3	6	
Not Numbered	<a href="#">DJ0185</a>	MAG FAN SHROUD MK2	1	EA	1	3	6	

**eikon e2 230Volts 50Hz 13A Parent - UK - Unique Parts**

3	<a href="#">30Z0217</a>	FUSE 1in 10A HRC	1	EA	1	3	6	1
4	<a href="#">30Z0231</a>	FUSEHOLDER 1in (13A)	2	EA	2	6	12	
5	<a href="#">30Z0394</a>	FUSE 1in 7A HRC	1	EA	1	3	6	1
6	<a href="#">31Z1250</a>	MAINS ON/OFF SWITCH COVER	1	EA	1	3	6	
6	<a href="#">31Z1251</a>	MAINS ON/OFF SWITCH BEZEL	1	EA	1	3	6	
7	<a href="#">30Z1177</a>	20 AMP LITTLEFUSE FLM020	4	EA	4	12	24	2
8	<a href="#">30Z1178</a>	30A FUSE HOLDER	4	EA	4	12	24	
11	<a href="#">30Z1482</a>	e2 MAINS FILTER 20VT-1	1	EA	1	3	6	
12	<a href="#">30Z1455</a>	TRANSFORMER LV CLASS 2	1	EA	1	3	6	1
13	<a href="#">30Z1431</a>	1.2uF 2500V CAPACITOR	1	EA	1	3	6	1
14	<a href="#">30Z1440</a>	RELAY 240V OMRON	1	EA	1	3	6	1
17	<a href="#">30Z1475</a>	CABINET FAN e2 LRG	2	EA	2	6	12	
17	<a href="#">30Z1542</a>	e2 FAN MOTOR AC 4300 H	1	EA	1	3	6	
22	<a href="#">30Z5014</a>	CONTROL PCB e2 <b>SRB</b> VDE	1	EA	1	3	6	1
27	<a href="#">31Z0651</a>	3-WAY TERMINAL BLOCK	2	EA	2	6	12	
29	<a href="#">31Z1308</a>	CABLE GLAND PG16	1	EA	1	3	6	
30	<a href="#">31Z1309</a>	GLAND NUT PG16	1	EA	1	3	6	
32	<a href="#">SJ371</a>	ROBUST AIR FILTER EU	1	EA	1	3	6	1
43	<a href="#">SJ325</a>	e2 LID ASSY EU	1	EA	1	3	6	
56	<a href="#">DR0042</a>	OVERHEAT SAFETY STAT	1	EA	1	3	6	1
64	<a href="#">P11M0339</a>	MAINS CABLE ASSY	1	EA	1	3	6	
65	<a href="#">P30Z1413</a>	230V 50Hz TRANSFORMER	1	EA	1	3	6	
69	<a href="#">PSJ262</a>	e2 CONVECTION MOTOR KIT	1	EA	1	3	6	1
75	<a href="#">SJ320</a>	e2 BACK PANEL ASSY EU	1	EA	1	3	6	
79	<a href="#">SJ314</a>	SIDE COVER RHS ASSY e2	1	EA	1	3	6	
80	<a href="#">SJ315</a>	SIDE COVER LHS ASSY e2	1	EA	1	3	6	
Not Numbered	<a href="#">DJ0185</a>	MAG FAN SHROUD MK2	1	EA	1	3	6	
Not Shown	<a href="#">31Z0654</a>	e2 UK PARENT SOCKET 13A	1	EA	1	3	6	
Not Shown	<a href="#">33Z0068</a>	e2 PARENT EARTH WIRE	1	EA	1	3	6	
Not Shown	<a href="#">33Z0069</a>	e2 PARENT FUSE TO FUSE	1	EA	1	3	6	
Not Shown	<a href="#">33Z0070</a>	e2 PARENT FUSE TO SOCKET	1	EA	1	3	6	



## Merrychef eikon e2 Oven

Recommended Parts List **Production Ceased - August 2017**

## Recommended Min Stock Holding &amp; Service List

Service Manual Exploded View	Part Number	Description	Qty Per Oven	Unit	1-10 Ovens	11-50 Ovens	51-100 Ovens	Recommended Service List
<b>eikon e2 230Volts 50Hz 16A - EU - Unique Parts</b>								
3	<a href="#">30Z0217</a>	FUSE 1in 10A HRC	1	EA	1	3	6	1
4	<a href="#">30Z0231</a>	FUSEHOLDER 1in (13A)	2	EA	2	6	12	
5	<a href="#">30Z0394</a>	FUSE 1in 7A HRC	1	EA	1	3	6	1
6	<a href="#">31Z1250</a>	MAINS ON/OFF SWITCH COVER	1	EA	1	3	6	
6	<a href="#">31Z1251</a>	MAINS ON/OFF SWITCH BEZEL	1	EA	1	3	6	
7	<a href="#">30Z1177</a>	20 AMP LITTLEFUSE FLM020	2	EA	2	6	12	2
8	<a href="#">30Z1178</a>	30A FUSE HOLDER	2	EA	2	6	12	
11	<a href="#">30Z1482</a>	e2 MAINS FILTER 20VT-1	1	EA	1	3	6	
12	<a href="#">30Z1455</a>	TRANSFORMER LV CLASS 2	1	EA	1	3	6	1
13	<a href="#">30Z1431</a>	1.2uF 2500V CAPACITOR	1	EA	1	3	6	1
14	<a href="#">30Z1440</a>	RELAY 240V OMRON	1	EA	1	3	6	1
17	<a href="#">30Z1475</a>	CABINET FAN e2 LRG	2	EA	2	6	12	
17	<a href="#">30Z1542</a>	e2 FAN MOTOR AC 4300 H	1	EA	1	3	6	
22	<a href="#">30Z5014</a>	CONTROL PCB e2 <b>SRB</b> VDE	1	EA	1	3	6	1
27	<a href="#">31Z0651</a>	3-WAY TERMINAL BLOCK	2	EA	2	6	12	
29	<a href="#">31Z1308</a>	CABLE GLAND PG16	1	EA	1	3	6	
30	<a href="#">31Z1309</a>	GLAND NUT PG16	1	EA	1	3	6	
32	<a href="#">SJ371</a>	ROBUST AIR FILTER EU	1	EA	1	3	6	1
43	<a href="#">SJ325</a>	e2 LID ASSY EU	1	EA	1	3	6	
56	<a href="#">DR0042</a>	OVERHEAT SAFETY STAT	1	EA	1	3	6	1
64	<a href="#">DJ0136</a>	e2 16A EU MAINS LEAD ASSY	1	EA	1	3	6	
65	<a href="#">P30Z1413</a>	230V 50Hz TRANSFORMER	1	EA	1	3	6	
69	<a href="#">PSJ262</a>	e2 CONVECTION MOTOR KIT	1	EA	1	3	6	1
75	<a href="#">SJ320</a>	e2 BACK PANEL ASSY EU	1	EA	1	3	6	
79	<a href="#">SJ314</a>	SIDE COVER RHS ASSY e2	1	EA	1	3	6	
80	<a href="#">SJ315</a>	SIDE COVER LHS ASSY e2	1	EA	1	3	6	
86	<a href="#">30Z1439</a>	RELAY 12V OMRON	1	EA	1	3	6	1
Not Numbered	<a href="#">DJ0185</a>	MAG FAN SHROUD MK2	1	EA	1	3	6	

<b>eikon e2 230Volts 50Hz 16A Parent - EU - Unique Parts</b>								
3	<a href="#">30Z0217</a>	FUSE 1in 10A HRC	1	EA	1	3	6	1
4	<a href="#">30Z0231</a>	FUSEHOLDER 1in (13A)	2	EA	2	6	12	
5	<a href="#">30Z0394</a>	FUSE 1in 7A HRC	1	EA	1	3	6	1
6	<a href="#">31Z1250</a>	MAINS ON/OFF SWITCH COVER	1	EA	1	3	6	
6	<a href="#">31Z1251</a>	MAINS ON/OFF SWITCH BEZEL	1	EA	1	3	6	
7	<a href="#">30Z1177</a>	20 AMP LITTLEFUSE FLM020	4	EA	4	12	24	2
8	<a href="#">30Z1178</a>	30A FUSE HOLDER	4	EA	4	12	24	
11	<a href="#">30Z1482</a>	e2 MAINS FILTER 20VT-1	1	EA	1	3	6	
12	<a href="#">30Z1455</a>	TRANSFORMER LV CLASS 2	1	EA	1	3	6	1
13	<a href="#">30Z1431</a>	1.2uF 2500V CAPACITOR	1	EA	1	3	6	1
14	<a href="#">30Z1440</a>	RELAY 240V OMRON	1	EA	1	3	6	1
17	<a href="#">30Z1475</a>	CABINET FAN e2 LRG	2	EA	2	6	12	
17	<a href="#">30Z1542</a>	e2 FAN MOTOR AC 4300 H	1	EA	1	3	6	
22	<a href="#">30Z5014</a>	CONTROL PCB e2 <b>SRB</b> VDE	1	EA	1	3	6	1
27	<a href="#">31Z0651</a>	3-WAY TERMINAL BLOCK	2	EA	2	6	12	
29	<a href="#">31Z1255</a>	CABLE GLAND PG21	1	EA	1	3	6	
30	<a href="#">31Z1256</a>	GLAND NUT PG21	1	EA	1	3	6	
32	<a href="#">SJ371</a>	ROBUST AIR FILTER EU	1	EA	1	3	6	1
43	<a href="#">SJ325</a>	e2 LID ASSY EU	1	EA	1	3	6	
56	<a href="#">DR0042</a>	OVERHEAT SAFETY STAT	1	EA	1	3	6	1
64	<a href="#">DJ0137</a>	e2 32A EU MAINS LEAD ASSY	1	EA	1	3	6	
65	<a href="#">P30Z1413</a>	230V 50Hz TRANSFORMER	1	EA	1	3	6	
69	<a href="#">PSJ262</a>	e2 CONVECTION MOTOR KIT	1	EA	1	3	6	1
75	<a href="#">SJ328</a>	e2P BACK PANEL ASSY	1	EA	1	3	6	
79	<a href="#">SJ314</a>	SIDE COVER RHS ASSY e2	1	EA	1	3	6	
80	<a href="#">SJ315</a>	SIDE COVER LHS ASSY e2	1	EA	1	3	6	
86	<a href="#">30Z1439</a>	RELAY 12V OMRON	1	EA	1	3	6	1
Not Numbered	<a href="#">DJ0185</a>	MAG FAN SHROUD MK2	1	EA	1	3	6	
Not Shown	<a href="#">31Z0655</a>	e2 EU PARENT SOCKET 16A	1	EA	1	3	6	
Not Shown	<a href="#">33Z0068</a>	e2 PARENT EARTH WIRE	1	EA	1	3	6	
Not Shown	<a href="#">33Z0069</a>	e2 PARENT FUSE TO FUSE	1	EA	1	3	6	
Not Shown	<a href="#">33Z0070</a>	e2 PARENT FUSE TO SOCKET	1	EA	1	3	6	

## Merrychef eikon e2 Oven

Recommended Parts List **Production Ceased - August 2017**

## Recommended Min Stock Holding &amp; Service List

Service Manual Exploded View	Part Number	Description	Qty Per Oven	Unit	1-10 Ovens	11-50 Ovens	51-100 Ovens	Recommended Service List
<b>eikon e2 230Volts 50Hz 20A - EU - Unique Parts</b>								
3	<a href="#">30Z0217</a>	FUSE 1in 10A HRC	1	EA	1	3	6	1
4	<a href="#">30Z0231</a>	FUSEHOLDER 1in (13A)	2	EA	2	6	12	
5	<a href="#">30Z0394</a>	FUSE 1in 7A HRC	1	EA	1	3	6	1
6	<a href="#">31Z1250</a>	MAINS ON/OFF SWITCH COVER	1	EA	1	3	6	
6	<a href="#">31Z1251</a>	MAINS ON/OFF SWITCH BEZEL	1	EA	1	3	6	
7	<a href="#">30Z1177</a>	20 AMP LITTLEFUSE FLM020	2	EA	2	6	12	2
8	<a href="#">30Z1178</a>	30A FUSE HOLDER	2	EA	2	6	12	
11	<a href="#">30Z1482</a>	e2 MAINS FILTER 20VT-1	1	EA	1	3	6	
12	<a href="#">30Z1455</a>	TRANSFORMER LV CLASS 2	1	EA	1	3	6	1
13	<a href="#">30Z1431</a>	1.2uF 2500V CAPACITOR	1	EA	1	3	6	1
17	<a href="#">30Z1475</a>	CABINET FAN e2 LRG	2	EA	2	6	12	
17	<a href="#">30Z1542</a>	e2 FAN MOTOR AC 4300 H	1	EA	1	3	6	
22	<a href="#">30Z5014</a>	CONTROL PCB e2 <b>SRB</b> VDE	1	EA	1	3	6	1
27	<a href="#">31Z0651</a>	3-WAY TERMINAL BLOCK	2	EA	2	6	12	
29	<a href="#">31Z1255</a>	CABLE GLAND BLACK PG21	1	EA	1	3	6	
30	<a href="#">31Z1256</a>	NUT FOR CABLE GLAND PG21	1	EA	1	3	6	
32	<a href="#">SJ371</a>	ROBUST AIR FILTER EU	1	EA	1	3	6	1
43	<a href="#">SJ325</a>	e2 LID ASSY EU	1	EA	1	3	6	
56	<a href="#">DR0042</a>	OVERHEAT SAFETY STAT	1	EA	1	3	6	1
64	<a href="#">DX0106</a>	MAINS SUPPLY LEAD G (UL)	1	EA	1	3	6	
65	<a href="#">P30Z1413</a>	230V 50Hz TRANSFORMER	1	EA	1	3	6	
69	<a href="#">PSJ262</a>	e2 CONVECTION MOTOR KIT	1	EA	1	3	6	1
75	<a href="#">SJ320</a>	e2 BACK PANEL ASSY EU	1	EA	1	3	6	
79	<a href="#">SJ314</a>	SIDE COVER RHS ASSY e2	1	EA	1	3	6	
80	<a href="#">SJ315</a>	SIDE COVER LHS ASSY e2	1	EA	1	3	6	
Not Numbered	<a href="#">DJ0185</a>	MAG FAN SHROUD MK2	1	EA	1	3	6	

**eikon e2 208/240Volts 60Hz 15A - USA - Unique Parts**

3	<a href="#">30Z1508</a>	e2 FUSE 10A 1 1/4in	1	EA	1	3	6	1
4	<a href="#">30Z0285</a>	FUSE HOLDER 1 1/4in	1	EA	1	3	6	
8	<a href="#">30Z1505</a>	e2 USA LARGE FUSE HOLDER	2	EA	2	6	12	
11	<a href="#">30Z1479</a>	e2 RFI FILTER	1	EA	1	3	6	
12	<a href="#">30Z1455</a>	TRANSFORMER LV CLASS 2	1	EA	1	3	6	1
13	<a href="#">30Z1501</a>	0.91 uF HV CAP 2300V	1	EA	1	3	6	1
14	<a href="#">30Z1440</a>	RELAY 240V OMRON	1	EA	1	3	6	1
17	<a href="#">30Z1475</a>	CABINET FAN e2 LRG	2	EA	2	6	12	
17	<a href="#">30Z1476</a>	CABINET FAN e2 SML	1	EA	1	3	6	
22	<a href="#">30Z5010</a>	CONTROL PCB e2 <b>SRB</b>	1	EA	1	3	6	1
28	<a href="#">31Z0661</a>	e2 USA 2-WAY TERM BLOCK	1	EA	1	3	6	
29 & 30	<a href="#">31Z1331</a>	e2 US GLAND + NUT	1	EA	1	3	6	
32	<a href="#">DJ0144</a>	USA CARTRIDGE FILTER	1	EA	1	3	6	1
43	<a href="#">DJ0122</a>	LID FINISHED e2 US	1	EA	1	3	6	
56	<a href="#">30Z1474</a>	e2 THERMAL TRIP	1	EA	1	3	6	1
64	<a href="#">DJ0139</a>	e2D MAINS LEAD SP 15A	1	EA	1	3	6	
66	<a href="#">P30Z1509</a>	e2 TRANS 208-230V 60Hz	1	EA	1	3	6	
69	<a href="#">PSJ189</a>	e2 CONVEC MTR&DUCT KIT	1	EA	1	3	6	1
75	<a href="#">DJ0123</a>	BACK COVER FINISHED US	1	EA	1	3	6	
79	<a href="#">SJ326</a>	e2 SIDE COVER RH ASSY US	1	EA	1	3	6	
80	<a href="#">SJ327</a>	e2 SIDE COVER LH ASSY US	1	EA	1	3	6	
86	<a href="#">30Z1439</a>	RELAY 12V OMRON	1	EA	1	3	6	1
Not Numbered	<a href="#">DJ0141</a>	REAR DUCT USA e2	1	EA	1	3	6	
Not Shown	<a href="#">30Z1527</a>	e2 USA 20A FUSE	2	EA	2	6	12	1
Not Shown	<a href="#">31Z0527</a>	SILASTIC RED		TUBE	1	3	6	
Not Shown	<a href="#">31Z1322</a>	FAN GUARD LRG	1	EA	1	3	6	
Not Shown	<a href="#">31Z1323</a>	FAN GUARD SML	1	EA	1	3	6	
Not Shown	<a href="#">31Z1324</a>	e2 LEG 4 INCH	4	EA	4	12	24	
Not Shown	<a href="#">31Z1372</a>	ANTI SKID PAD [For <a href="#">31Z1324</a> ]	4	EA	4	12	24	

## Merrychef eikon e2 Oven

Recommended Parts List **Production Ceased - August 2017**

## Recommended Min Stock Holding &amp; Service List

Service Manual Exploded View	Part Number	Description	Qty Per Oven	Unit	1-10 Ovens	11-50 Ovens	51-100 Ovens	Recommended Service List
<b>eikon e2 208/240Volts 60Hz 15A Parent - USA - Unique Parts</b>								
3	<a href="#">30Z1508</a>	e2 FUSE 10A 1 1/4in	1	EA	1	3	6	1
4	<a href="#">30Z0285</a>	FUSE HOLDER 1 1/4in	1	EA	1	3	6	
8	<a href="#">30Z1505</a>	e2 USA LARGE FUSE HOLDER	4	EA	4	12	24	
11	<a href="#">30Z1479</a>	e2 RFI FILTER	1	EA	1	3	6	
12	<a href="#">30Z1455</a>	TRANSFORMER LV CLASS 2	1	EA	1	3	6	1
13	<a href="#">30Z1501</a>	0.91 uF HV CAP 2300V	1	EA	1	3	6	1
14	<a href="#">30Z1440</a>	RELAY 240V OMRON	1	EA	1	3	6	1
17	<a href="#">30Z1475</a>	CABINET FAN e2 LRG	2	EA	2	6	12	
17	<a href="#">30Z1476</a>	CABINET FAN e2 SML	1	EA	1	3	6	
22	<a href="#">30Z5010</a>	CONTROL PCB e2 <b>SRB</b>	1	EA	1	3	6	1
28	<a href="#">31Z0661</a>	e2 USA 2-WAY TERM BLOCK	1	EA	1	3	6	
29 & 30	<a href="#">31Z1331</a>	e2 US GLAND + NUT	1	EA	1	3	6	
32	<a href="#">DJ0144</a>	USA CARTRIDGE FILTER	1	EA	1	3	6	1
43	<a href="#">DJ0122</a>	LID FINISHED e2 US	1	EA	1	3	6	
56	<a href="#">30Z1474</a>	e2 THERMAL TRIP	1	EA	1	3	6	1
64	<a href="#">DJ0140</a>	e2P MAINS LEAD DF 30A	1	EA	1	3	6	
66	<a href="#">P30Z1509</a>	e2 TRANS 208-230V 60Hz	1	EA	1	3	6	
69	<a href="#">PSJ189</a>	e2 CONVEC MTR&DUCT KIT	1	EA	1	3	6	1
75	<a href="#">DJ0123</a>	BACK COVER FINISHED US	1	EA	1	3	6	
79	<a href="#">SJ326</a>	e2 SIDE COVER RH ASSY US	1	EA	1	3	6	
80	<a href="#">SJ327</a>	e2 SIDE COVER LH ASSY US	1	EA	1	3	6	
86	<a href="#">30Z1439</a>	RELAY 12V OMRON	1	EA	1	3	6	1
Not Numbered	<a href="#">DJ0141</a>	REAR DUCT USA e2	1	EA	1	3	6	
Not Shown	<a href="#">30Z1494</a>	e2 US DEPENDENDANT SOCKET	1	EA	1	3	6	
Not Shown	<a href="#">30Z1527</a>	e2 USA 20A FUSE	4	EA	4	12	24	1
Not Shown	<a href="#">31Z0527</a>	SILASTIC RED		TUBE	1	3	6	
Not Shown	<a href="#">31Z0659</a>	e2 USA TWIN WIRE LOOM	1	EA	1	3	6	
Not Shown	<a href="#">31Z1322</a>	FAN GUARD LRG	1	EA	1	3	6	
Not Shown	<a href="#">31Z1323</a>	FAN GUARD SML	1	EA	1	3	6	
Not Shown	<a href="#">31Z1324</a>	e2 LEG 4 INCH	4	EA	4	12	24	
Not Shown	<a href="#">31Z1372</a>	ANTI SKID PAD [For <a href="#">31Z1324</a> ]	4	EA	4	12	24	

**eikon e2 208/240Volts 60Hz 20A - USA - Unique Parts**

3	<a href="#">30Z1508</a>	e2 FUSE 10A 1 1/4in	1	EA	1	3	6	1
4	<a href="#">30Z0285</a>	FUSE HOLDER 1 1/4in	1	EA	1	3	6	
7	<a href="#">30Z1505</a>	e2 USA LARGE FUSE HOLDER	1	EA	1	3	6	
11	<a href="#">30Z1479</a>	e2 RFI FILTER	1	EA	1	3	6	
12	<a href="#">30Z1455</a>	TRANSFORMER LV CLASS 2	1	EA	1	3	6	1
13	<a href="#">30Z1501</a>	0.91 uF HV CAP 2300V	1	EA	1	3	6	1
17	<a href="#">30Z1475</a>	CABINET FAN e2 LRG	2	EA	2	6	12	
17	<a href="#">30Z1476</a>	CABINET FAN e2 SML	1	EA	1	3	6	
22	<a href="#">30Z5010</a>	CONTROL PCB e2 <b>SRB</b>	1	EA	1	3	6	1
28	<a href="#">31Z0661</a>	e2 USA 2-WAY TERM BLOCK	1	EA	1	3	6	
29 & 30	<a href="#">31Z1331</a>	e2 US GLAND + NUT	1	EA	1	3	6	
32	<a href="#">DJ0144</a>	USA CARTRIDGE FILTER	1	EA	1	3	6	1
43	<a href="#">DJ0122</a>	LID FINISHED e2 US	1	EA	1	3	6	
56	<a href="#">30Z1474</a>	e2 THERMAL TRIP	1	EA	1	3	6	1
64	<a href="#">DJ0138</a>	e2 USA 20A MAINS LEAD	1	EA	1	3	6	
66	<a href="#">P30Z1509</a>	e2 TRANS 208-230V 60Hz	1	EA	1	3	6	
69	<a href="#">PSJ189</a>	e2 CONVEC MTR&DUCT KIT	1	EA	1	3	6	1
75	<a href="#">DJ0123</a>	BACK COVER FINISHED US	1	EA	1	3	6	
79	<a href="#">SJ326</a>	e2 SIDE COVER RH ASSY US	1	EA	1	3	6	
80	<a href="#">SJ327</a>	e2 SIDE COVER LH ASSY US	1	EA	1	3	6	
86	<a href="#">30Z1439</a>	RELAY 12V OMRON	1	EA	1	3	6	1
Not Numbered	<a href="#">DJ0141</a>	REAR DUCT USA e2	1	EA	1	3	6	
Not Shown	<a href="#">30Z1527</a>	e2 USA 20A FUSE	2	EA	2	6	12	1
Not Shown	<a href="#">31Z0527</a>	SILASTIC RED		TUBE	1	3	6	
Not Shown	<a href="#">31Z1322</a>	FAN GUARD LRG	1	EA	1	3	6	
Not Shown	<a href="#">31Z1323</a>	FAN GUARD SML	1	EA	1	3	6	
Not Shown	<a href="#">31Z1324</a>	e2 LEG 4 INCH	4	EA	4	12	24	
Not Shown	<a href="#">31Z1372</a>	ANTI SKID PAD [For <a href="#">31Z1324</a> ]	4	EA	4	12	24	

## Merrychef eikon e2 Oven

Recommended Parts List **Production Ceased - August 2017**

Recommended Min Stock Holding &amp; Service List

Service Manual Exploded View	Part Number	Description	Qty Per Oven	Unit	1-10 Ovens	11-50 Ovens	51-100 Ovens	Recommended Service List
------------------------------	-------------	-------------	--------------	------	------------	-------------	--------------	--------------------------

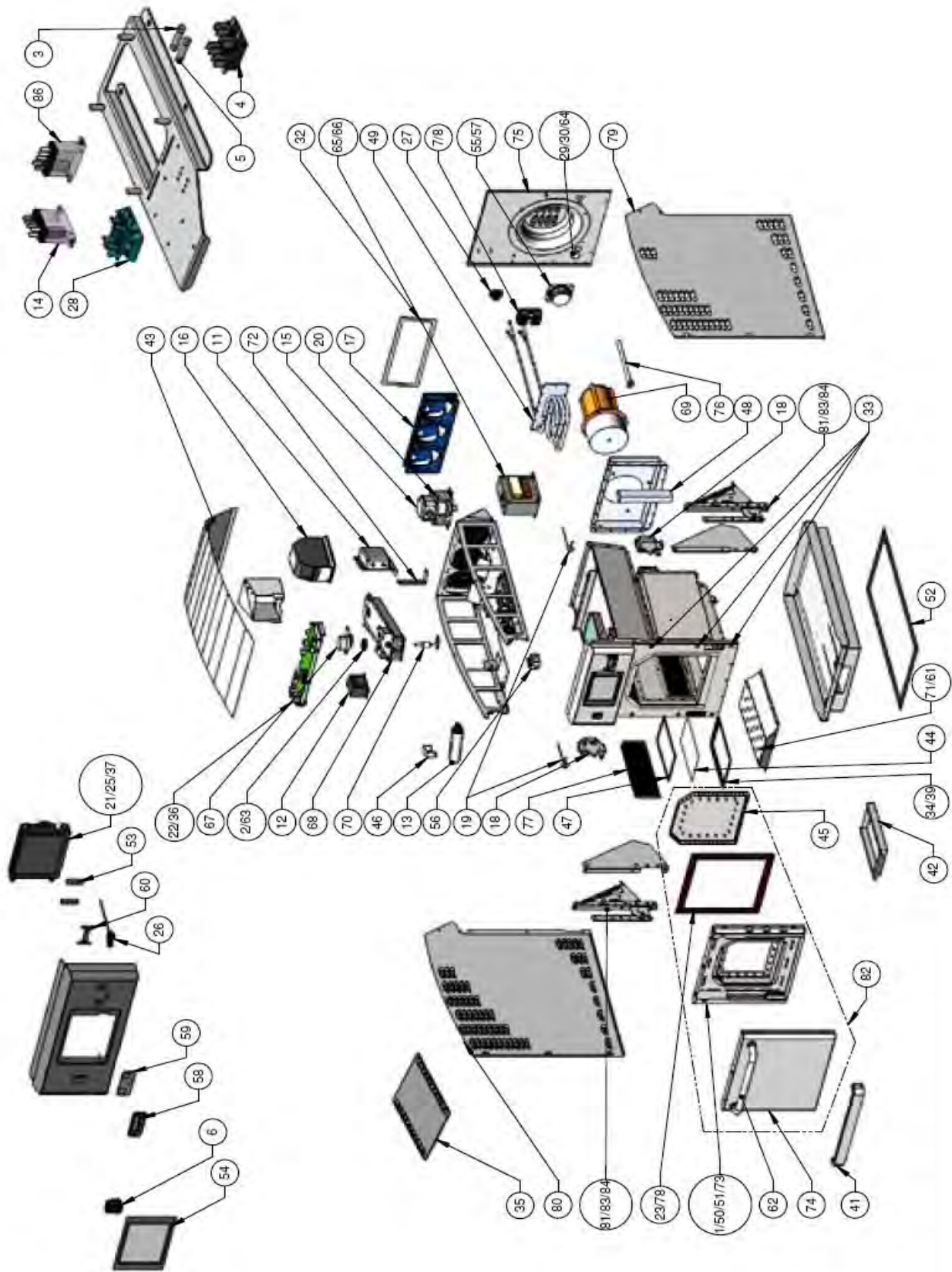
**eikon Service Kits**

Not Shown	<a href="#">PSJ180</a>	US CARTRIDGE RETROFIT KIT		EA	1	3	6	
-----------	------------------------	---------------------------	--	----	---	---	---	--

**e2 Accessories**

35	<a href="#">32Z4044</a>	COOK PLATE 11 HOLE		EA	1	3	6	
Not Shown	<a href="#">32Z4045</a>	e2 SOLID BREAD BASKET		EA	1	3	6	
Not Shown	<a href="#">32Z4046</a>	e2 MESH BASE BASKET		EA	1	3	6	
Not Shown	<a href="#">32Z4051</a>	1/4 GASRONORM DISH		EA	1	3	6	
Not Shown	<a href="#">32Z4053</a>	e2 COOK/GRIDDLE TRAY		EA	1	3	6	
Not Shown	<a href="#">32Z4097</a>	e2 SOLID BASKET 1/2 SIZE - RED		EA	1	3	6	
Not Shown	<a href="#">32Z4098</a>	e2 SOLID BASKET 1/2 SIZE - GREEN		EA	1	3	6	
Not Shown	<a href="#">32Z4099</a>	e2 SOLID BASKET 1/2 SIZE - BLUE		EA	1	3	6	
Not Shown	<a href="#">SR312</a>	e2 PIZZA PADDLE		EA	1	3	6	

NOTES: **NOTE-1**



## Merrychef eikon e6 Oven

Recommended Parts List **Production Ceased - August 2016**

## Recommended Min Stock Holding &amp; Service List

Service Manual Exploded View	Part Number	Description	Qty Per Oven	Unit	1-10 Ovens	11-50 Ovens	51-100 Ovens	Recommended Service List
1	P30Z1472	MAGNETRON	2	EA	2	6	12	1
2	P30Z1509	e2 TRANS 208-230V 60Hz	2	EA	2	6	12	
3-37	PSJ161	e2/e6 PARTITION PLATE KIT	1	EA	1	3	6	1
5	30Z1480	e2/e6 MAG HI LIMIT STAT	2	EA	2	6	12	1
6	31Z1322	FAN GUARD LRG	4	EA	4	12	24	
7	30Z1512	e6 SPEED CONTROLLER	1	EA	1	3	6	
8	30Z1330	0.88uF 2500V CAPACITOR	2	EA	2	6	12	2
9	DG0029	CATALYST 6.4x2.5x1.0	2	EA	2	6	12	
11	SG335	e6 GREASE FILTER SHELF	2	EA	2	6	12	
12	PSG225	e6 CONVECTION MOTOR ASSY	1	EA	1	3	6	
13	30Z1514	RFI FILTER e6	1	EA	1	3	6	
14	30Z1515	FUSE MAIN CIRCUIT e6	2	EA	2	6	12	2
15	PSR109	DIODE REPLACEMENT KIT	2	EA	2	6	12	2
16	PSA288	STIRRER MOTOR ASSY	2	EA	2	6	12	
17	P30Z5009	TOUCH SCREEN <b>PCB</b>	1	EA	1	3	6	1
18	30Z1455	TRANSFORMER LV CLASS 2	1	EA	1	3	6	1
19	30Z0503	SWITCH ON/OFF ROCKER DPST	1	EA	1	3	6	1
21	31Z1261	CAPACITOR CLIP UNIVERSAL	2	EA	2	6	12	
22	31Z0115	INSULATOR PAD	2	EA	2	6	12	
23	DV0325	GEAR WHEEL - PINNED MOTOR	2	EA	2	6	12	
24	DV0552	GEAR - STIRRER	2	EA	2	6	12	
25	PSG333	e6 DOOR GASKET	1	EA	1	3	6	1
26	DG0144	HEATING ELEM-RAD WATLOW	1	EA	1	3	6	
27	30Z1475	CABINET FAN e2 LRG	4	EA	4	12	24	
29-30-54-55-76-79	PSG126	e6 DOOR HINGE KIT	1	EA	1	3	6	1
33-48	PSG204	e6 STIRRER ASSY	2	EA	2	6	12	
34	DR0011	TOUCHSCREEN OVERLAY	1	EA	1	3	6	1
35	PSJ243	DUAL THERMOCOUPLE ASSY e2/e6	1	EA	1	3	6	1
36	DR0021	HARMONISED SPEAKER	1	EA	1	3	6	
38	DR0009	MERRYCHEF BADGE GUIDE	2	EA	2	6	12	
39	31Z0600	ADAPTOR USB / LEAD	1	EA	1	3	6	
40	31Z0661	e2 USA 2-WAY TERM BLOCK	1	EA	1	3	6	
42	DG0143	TOP HEATER RADIANT OVEN	1	EA	1	3	6	
44	30Z1474	e2 THERMAL TRIP	1	EA	1	3	6	1
45	SG339	STEAM PIPE ASSY	1	EA	1	3	6	
46	30Z1504	e2 USA FUSE HOLDER	2	EA	2	6	12	
49	31Z1362	AIR FILTER	2	EA	2	6	12	2
50	DG0172	e6 MAG EXHAUST SHROUD	2	EA	2	6	12	
51	DG0173	e6 MAG INLET SHROUD	2	EA	2	6	12	
52	DG0182	e6 FUSE BOX COVER	1	EA	1	3	6	
53	DG0059	e6 TOP PANEL	1	EA	1	3	6	
56	DG0204	e6 PARTITION PLATE BRKT	2	EA	2	6	12	
57	DG0214	e6 UNDER DOOR COVER	1	EA	1	3	6	
58	30Z1505	e2 USA LARGE FUSE HOLDER	2	EA	2	6	12	
59	DG0183	e6 GREASE TRAY LONG	1	EA	1	3	6	
60	DG0061	e6 SIDE PANEL LH	1	EA	1	3	6	
61	31Z1331	e2 US GLAND + NUT	1	EA	1	3	6	
62	DG0060	e6 SIDE PANEL RH	1	EA	1	3	6	
64	SG330	WAVEGUIDE ASSY e6	2	EA	2	6	12	
65	30Z5017	e6 <b>SRB</b> BOARD	1	EA	1	3	6	1
66	32Z7071	e6 <b>SRB</b> PERSONALITY MOD	1	EA	1	3	6	1
70	SG336	e6 BACK ACCESS PANEL ASSY	1	EA	1	3	6	
71	SG343	e6 JET PLATE ASSY	1	EA	1	3	6	
72	PSG105	e6 DOOR ASSY (COMPLETE)	1	EA	1	3	6	
73	DV0431	DOOR HANDLE	1	EA	1	3	6	
74	DG0227	e6 DOOR CHOKE FINISHED	1	EA	1	3	6	
75-74-25	PSG301	e6 DOOR INNER ASSY		EA	1	3	6	
76 & 79	PSR102	eikon M/SWITCH SERV KIT	1	EA	1	3	6	
77	30Z1430	MICROSWITCH (LARGE)	1	EA	1	3	6	1
80	30Z1459	MICROSWITCH HONEYWELL	2	EA	2	6	12	2
82	DR0007	MERRYCHEF BADGE	1	EA	1	3	6	
83	DR0008	MERRYCHEF BADGE SLIDER	1	EA	1	3	6	
84	DR0047	MERRYCHEF BADGE SEAL	1	EA	1	3	6	
85	31Z1302	BADGE RETAINING SPRING	2	EA	2	6	12	
86	32Z7074	e6 <b>QTS</b> PERSONALITY MOD	1	EA	1	3	6	1
Not Numbered	DG0058	e6 CONTROL PANEL	1	EA	1	3	6	
Not Numbered	DG0220	DOOR SKIN FINISHED	1	EA	1	3	6	
Not Numbered	DV0370	LOWER IMPINGER HANDLE	1	EA	1	3	6	

## Merrychef eikon e6 Oven

Recommended Parts List **Production Ceased - August 2016**

## Recommended Min Stock Holding &amp; Service List

Service Manual Exploded View	Part Number	Description	Qty Per Oven	Unit	1-10 Ovens	11-50 Ovens	51-100 Ovens	Recommended Service List
Not Numbered	<a href="#">PSG214</a>	e6 DOOR SKIN ASSY		EA	0	0	0	
Not Numbered	<a href="#">SG303</a>	e6 CAVITY ASSY	1	EA	1	3	6	
Not Shown	<a href="#">30Z1517</a>	FUSE BK/MDA-20-R T-LAG	2	EA	2	6	12	2
Not Shown	<a href="#">31Z0186</a>	SILASTIC BLACK (DOOR SEAL)		TUBE	1	3	6	1
Not Shown	<a href="#">31Z0527</a>	SILASTIC RED		TUBE	1	3	6	1
Not Shown	<a href="#">31Z0688</a>	PATCH CABLE 0.5m QTS-SRB	1	EA	1	3	6	
Not Shown	<a href="#">31Z1252</a>	BOLT M4 X 10 HEX HD (PARTITION PLATE)	18	EA	18	54	108	
Not Shown	<a href="#">31Z1320</a>	e2/e6 DOOR SWITCH SPACER	3	EA	3	9	18	
Not Shown	<a href="#">31Z1328</a>	PLUG 1/2 INCH RND KICKEL	4	EA	4	12	24	
Not Shown	<a href="#">31Z1335</a>	eikon USB MENUKEY	1	EA	1	3	6	
Not Shown	<a href="#">31Z1364</a>	STEAM TUBE 1/2" NPT	1	EA	1	3	6	
Not Shown	<a href="#">31Z4046</a>	M3 CAGE NUT	8	EA	8	24	48	
Not Shown	<a href="#">DG0009</a>	HORN QUARTZ e6	2	EA	2	6	12	
Not Shown	<a href="#">DG0028</a>	e6 BASE SEAL	1	EA	1	3	6	
Not Shown	<a href="#">DG0175</a>	e6 STEAM PIPE	1	EA	1	3	6	
Not Shown	<a href="#">DR0030</a>	HANDLE SPACER	2	EA	2	6	12	
Not Shown	<a href="#">SG337</a>	e6 DOOR INSULATION KIT	1	EA	1	3	6	
Not Shown	<a href="#">SG338</a>	e6 CAVITY INSULATION KIT	1	EA	1	3	6	

**eikon e6 208/240Volts 60Hz - USA (DF) - Unique Parts**

Not Shown	<a href="#">DJ0140</a>	e2P MAINS LEAD DF (30A)	1	EA	1	3	6	

**eikon e6 208/240Volts 60Hz - USA (DH) - Unique Parts**

Not Shown	<a href="#">DG0069</a>	e6 MAINS LEAD DH (30A)	1	EA	1	3	6	

**e6 Accessories**

10	<a href="#">32Z4052</a>	COOK PLATE e6	1	EA	1	3	6	
Not Shown	<a href="#">32Z4028</a>	HALF SIZE GASTRONORM DISH	1	EA	1	3	6	
Not Shown	<a href="#">32Z4054</a>	BASKET MESH 292 x 343 x 25 (mm)		EA	1	3	6	
Not Shown	<a href="#">32Z4055</a>	e6 SOLID BASKET	2	EA	2	6	12	
Not Shown	<a href="#">SR310</a>	LARGE PADDLE ALUM ASSY	1	EA	1	3	6	

