

INSTALLATION & OPERATING INSTRUCTIONS

for

BUFFET WARMERS MODEL SERIES BW & BWI



ALL MODELS ARE AVAILABLE IN
120V, 120/208V AND 120/240V, SINGLE PHASE

BWI MODELS HAVE SNEEZE GUARDS ON BOTH SIDES

TO BE SERVICED ONLY BY AUTHORIZED PERSONS



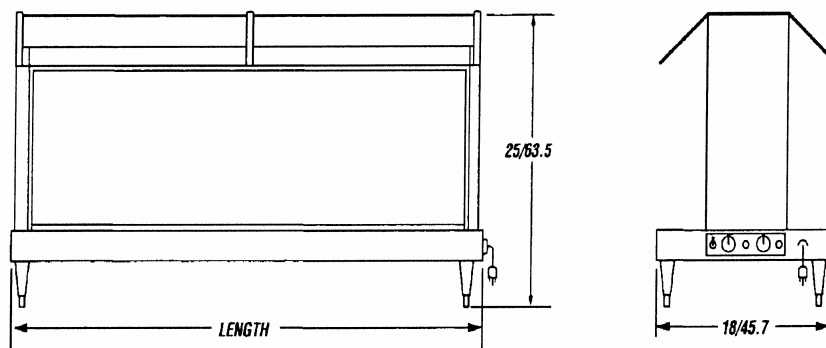
BEFORE INSTALLATION

NOTE: Upon receipt of this unit, immediately unpack and inspect for possible concealed shipping damage. If unit is found to be damaged, save all packing materials and contact your delivery carrier within 5 days. Refer to "Shipping Damage Instructions" enclosed for detailed instructions. Failure to follow these instructions will negate Merco Savory's or your ability to file claims and receive compensation for shipping damage.

INSTALLATION

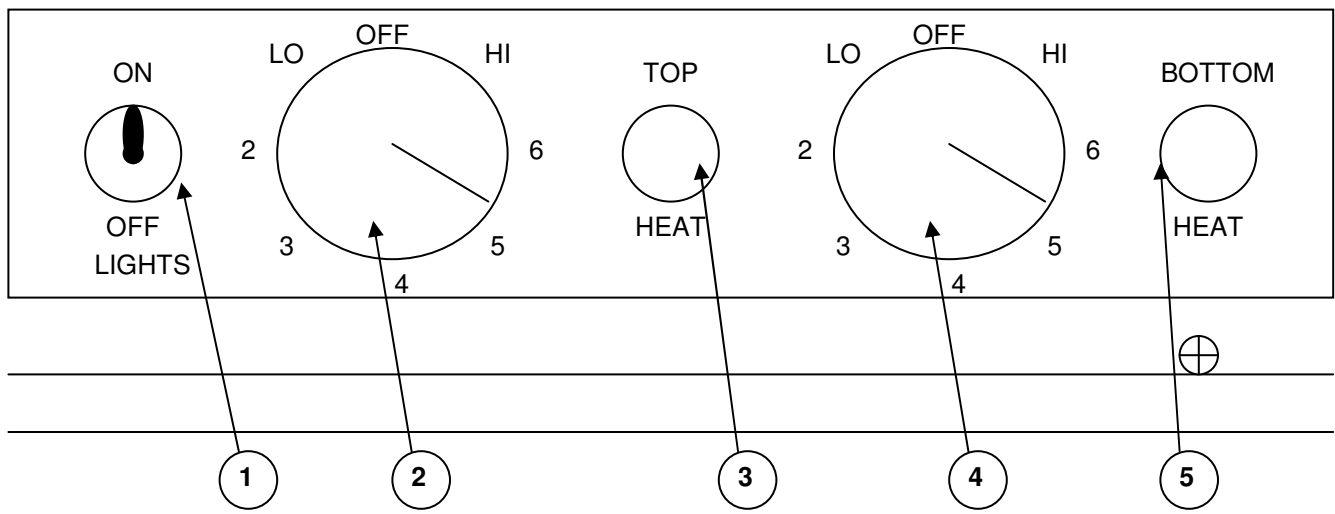
1. Check the specification data plate located on the control panel for the correct model number, voltage and wattage.
2. Check to insure that the electric circuit being used to supply electricity to the unit has a sufficient amperage rating.
3. Use the correct NEMA receptacle that corresponds to the plug provided with the unit.
4. Attach 4" (inch) Appliance Legs by threading the stud provided on the leg into the corner gussets on the underside of the unit. Turn the adjustable feet on the appliance leg to level the unit. These legs must be installed to allow heat to dissipate. Any warranty problems resulting from improper installation will not be the responsibility of Merco Savory.

DIMENSIONS (inches/cm)



OPERATION

- #1 On/Off Switch controls lights for the upper and lower levels.
- #2 Controls the tubular heating elements for the upper and lower levels.
- #3 Illuminated Pilot Light indicates that tubular heaters are on.
- #4 Controls black coated warming shelves for the upper and lower shelves.
- #5 Illuminated Pilot Light indicates that the black coated warming shelves are on.



The factory recommends setting the heat control knobs (2 & 4) between the numbers four (4) and six (6) on the control panel depending on the ambient temperature.

CLEANING



BE SURE TO DISCONNECT POWER SOURCE WHEN CLEANING THE UNIT.

Exterior Cleaning

1. The stainless steel exterior surface of your Buffet Warmer may be cleaned with a soft, damp, soapy cloth or sponge. Be careful not to scratch the surface while cleaning.
2. Rinse with clean, damp, soft cloth or sponge.
3. The Plexiglas may be cleaned with Windex or a multi-surface cleaner.

Alternate Method: Clean the exterior using a stainless steel cleaner/polish. Follow manufactures instructions.

SPECIFICATIONS (Standard Models)

Model #	120V	Voltage/Amps 120/208V	120/240V	Watts	Length Inches/cm	Net Wt.** Lbs/kg	Ship Wt.** Lbs/kg	Ship Vol.** Cu ft/cu m
BW-24	8.8	5.1	4.4	1060	24/61.0	21/9.5	59/26.8	10/0.28
BW-36	12.0	6.9	6.0	1445	36/91.4	32/14.5	75/34.1	14/0.40
BW-48	14.7	8.5	7.3	1760	48/121.9	43/19.5	82/37.2	18/0.51
BW-60	20.1	11.6	10.0	2410	60/152.4	56/25.4	95/43.1	22/0.62
BW-72	22.0	12.7	11.0	2640	72/182.9	74/33.6	107/48.6	26/0.74
BWI-24	8.8	5.1	4.4	1060	24/61.0	25/11.4	61/27.7	10/0.28
BWI-36	12.0	6.9	6.0	1445	36/91.4	36/16.3	75/34.1	14/0.40
BWI-48	14.7	8.5	7.3	1760	48/121.9	47/21.4	88/40.0	18/0.51
BWI-60	20.1	11.6	10.0	2410	60/152.4	60/27.2	105/47.7	22/0.62
BWI-72	22.0	12.7	11.0	2640	72/182.9	78/35.4	125/56.8	26/0.74

*Measurements are approximate

LIMITED WARRANTY FOR COMMERCIAL PRODUCTS

LIMITED WARRANTY

Merco/Savory LLC, ("Merco") warrants this product to be free from defects in material and workmanship for a period of:

- One (1) year from the date the product is installed or eighteen (18) months from the date of shipment from our facility, whichever comes first.
- Heating elements only – two (2) year warranty against burnout (excluding breakage) from date of shipment from our facility.
- Hot Food Server products only – one (1) year labor, two (2) years parts from the date of shipment from our facility.

During the warranty period, Merco shall, at Merco's option, repair, or replace parts determined by Merco to be defective in material or workmanship, and with respect to services, shall re-perform any defective portion of said services. The foregoing shall be the sole obligation of Merco under this Limited Warranty with respect to the equipment, products, and services. With respect to equipment, materials, parts and accessories manufactured by others, Merco's sole obligation shall be to use reasonable efforts to obtain the full benefit of the manufacturer's warranties. Merco shall have no liability, whether in contract, tort, negligence, or otherwise, with respect to non-Merco manufactured products.

WHO IS COVERED

This Limited Warranty is available only to the original purchaser of the product and is not transferable.

EXCLUSIONS FROM COVERAGE

- Repair or replacement of parts required because of misuse, improper care or storage, negligence, alteration, accident, use of incompatible supplies or lack of specified maintenance shall be excluded
- Normal maintenance items, including but not limited to, light bulbs, fuses, gaskets, O-rings, interior and exterior finishes, lubrication, delimiting, broken glass, etc.
- Failures caused by improper or erratic voltages
- Improper or unauthorized repair
- Changes in adjustment and calibration after ninety (90) days from equipment installation date
- This Limited Warranty will not apply to any parts subject to damage beyond the control of Merco, or to equipment which has been subject to alteration, misuse or improper installation, accidents, damage in shipment, fire, floods, power changes, other hazards or acts of God that are beyond the control of Merco.
- This Limited Warranty does not apply, and shall not cover any products or equipment manufactured or sold by Merco when such products or commercial equipment is installed or used in a residential or non-commercial application. Installations not within the applicable building or fire codes render this Limited Warranty and any responsibility or obligations associated therein null and void. This includes any damage, costs, or legal actions resulting from the installation of any Merco commercial cooking equipment in a non-commercial application or installation, where the equipment is being used for applications other than those approved for by Merco.

LIMITATIONS OF LIABILITY

The preceding paragraphs set forth the exclusive remedy for all claims based on failure of, or defect in, products or services sold hereunder, whether the failure or defect arises before or during the warranty period, and whether a claim, however instituted, is based on contract, indemnity, warranty, tort (including negligence), strict liability, implied by statute, common-law or otherwise, and Merco its servants and agents shall not be liable for any claims for personal injuries, incidental or consequential damages or loss, howsoever caused. Upon the expiration of the warranty period, all such liability shall terminate. THE FOREGOING WARRANTIES ARE EXCLUSIVE AND IN LIEU OF ALL OTHER WARRANTIES, WHETHER WRITTEN, ORAL, IMPLIED OR STATUTORY. NO IMPLIED WARRANTY OF MERCHANTABILITY OR FITNESS FOR PARTICULAR PURPOSE SHALL APPLY. MERCDO DOES NOT WARRANT ANY PRODUCTS OR SERVICES OF OTHERS.

REMEDIES

The liability of Merco for breach of any warranty obligation hereunder is limited to: (i) the repair or replacement of the equipment on which the liability is based, or with respect to services, re-performance of the services; or (ii) at Merco's option, the refund of the amount paid for said equipment or services.

Any breach by Merco with respect to any item or unit of equipment or services shall be deemed a breach with respect to that item or unit or service only

WARRANTY CLAIM PROCEDURE

Customer shall be responsible to:

- Immediately advise the Dealer or Merco's Authorized Service Agent of the equipment serial number and the nature of the problem.
- Verify the problem is a factory responsibility. Improper installation or misuse of equipment, are not covered under this Limited Warranty.
- Cooperate with the Service Agency so that warranty service may be completed during normal working hours.
- Travel Time not to exceed two hours and mileage not to exceed one hundred (100) miles.
- Portable equipment weighting less than ninety (90) pounds must be delivered to the Service Agent at Customer's expense.

GOVERNING LAW

This Limited Warranty shall be governed by the laws of the state of Delaware, USA, excluding their conflicts of law principles. The United Nations Convention on Contracts for the International Sale of Goods is hereby excluded in its entirety from application to this Limited Warranty

Merco Savory LLC
1111 North Hadley Road
Fort Wayne, Indiana 46804
USA
www.mercosavory.com