

# Fried Food Holding Station

## FFHS Series

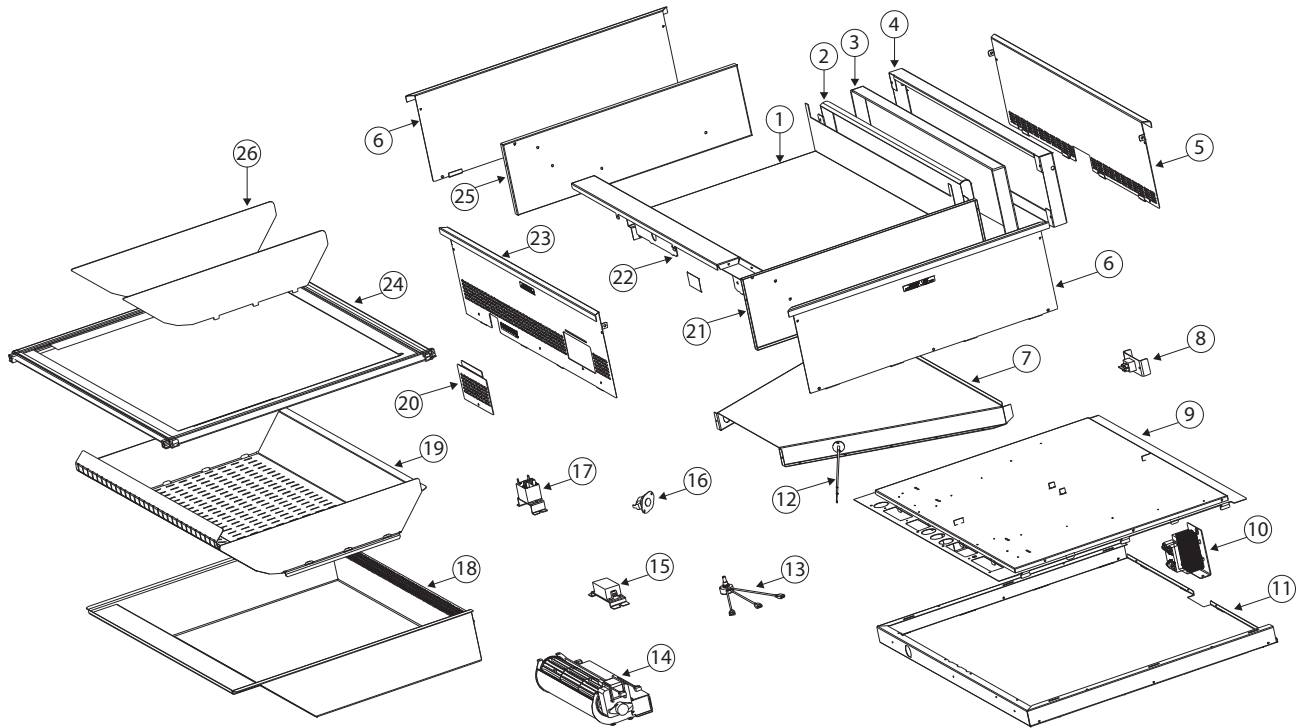
---

### Parts List

Contents

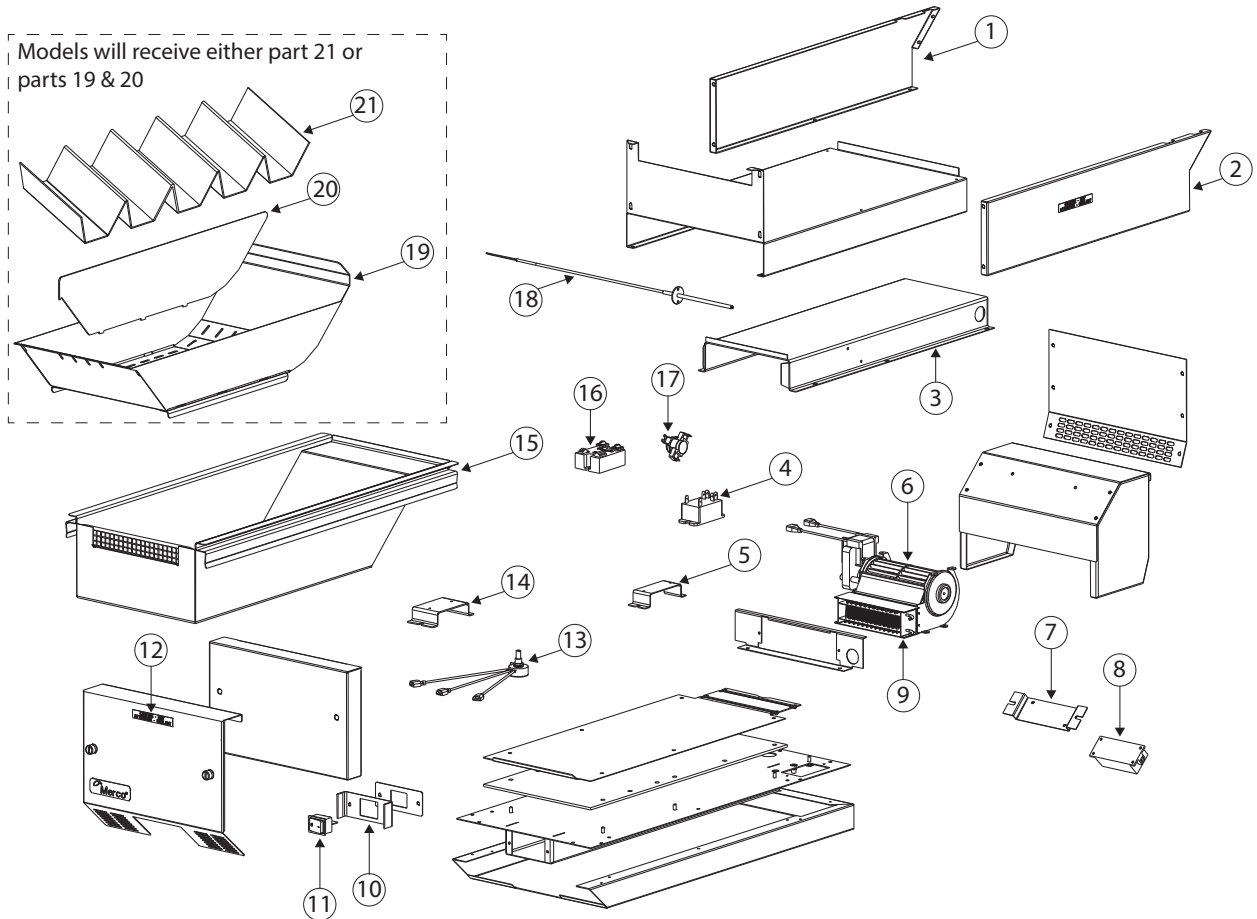
|  |   |
|--|---|
| Closed Loop Drop-In Components.....                    | 2 |
| Closed Loop Counter Top Components.....                | 3 |
| Legacy Open Loop FFHS-16 & FFHS-16 CE Components ..... | 4 |
| Legacy Open Loop FFHS-10 & FFHS-10 CE Components ..... | 5 |

## Closed Loop Drop-In Components



| Key | Description                 | Part Number Per Model |                   |                          |                          |
|-----|-----------------------------|-----------------------|-------------------|--------------------------|--------------------------|
|     |                             | FFHS16A-D             | FFHS16H-D         | FFHS27A-D                | FFHS32A-D                |
| 1   | Duct Cover                  | 243-CR6-000B          | 243-CR6-000A      | 243-CR6-0008             | 243-CR6-0006             |
| 2   | Front Air Duct              | 243-CR5-000E          | 243-CR5-000E      | 243-CR5-000A             | 243-CR5-0009             |
| 3   | Front Air Duct Insulation   | 3435005               | 3435005           | 3435022                  | 3435021                  |
| 4   | Front Insulation Panel      | 243-CQX-000K          | 243-CQX-000K      | 243-CQX-000B             | 243-CQX-0009             |
| 5   | Front Cover                 | 243-CQX-000L          | 243-CQX-000L      | 243-CQX-000H             | 243-CQX-000G             |
| 6   | Side Outer Cover            | 243-CR3-000B          | 243-CR3-000G      | 243-CR3-000B             | 243-CR3-000B             |
| 7   | Air Duct Assembly           | 243-CRA-000B          | 243-CRA-000A      | 000-CRG-001Y             | 243-CQQ-000N             |
| 8   | Power Switch                | MER340038             | MER340038         | MER340038                | MER340038                |
| 9   | Bottom Plate Assembly       | NA                    | NA                | 000-CRG-008M             | 00-CRG-001N              |
| 10  | Adjustable Relay / Heatsink | 2198650-DEL           | 2198650-DEL       | 2198650-DEL<br>& 2198651 | 2198650-DEL<br>& 2198651 |
| 11  | Base, Bottom                | 243-CR4-000F          | 243-CR4-000B      | 243-CR4-000E             | 243-CR4-000C             |
| 12  | Thermostat                  | 2198653-DEL           | 2198653-DEL       | 2198654                  | 2198679                  |
| 13  | Potentiometer               | 2198674               | 2198674           | 2198764                  | 2198764                  |
| 14  | Assembly, Blower/Heater     | 000-CQQ-0011-S        | 000-CQQ-0011-S    | 000-CRG-0019             | 000-CRG-0019             |
| 15  | DC Power Supply             | 2198652-DEL           | 2198652-DEL       | 2198652-DEL              | 2198652-DEL              |
| 16  | Motor Cool Down Switch      | NA                    | NA                | 2198640                  | 2198640                  |
| 17  | Power Relay                 | MER340089             | MER340089         | 2198639                  | 2198639                  |
| 18  | Grease Pan Assembly         | 000-CRG-0A29          | 000-CRG-0A24      | 000-CRG-008N             | 000-CRG-001S             |
| 19  | Salt Tray Assembly          | 000-CRG-0A30          | 000-CRG-0A25      | 000-CRG-0023             | 000-CRG-001T             |
| 20  | Rear Access Panel Cover     | 243-CR6-0007          | 243-CR6-0007      | 243-CR6-0007             | 243-CR6-0007             |
| 21  | Side Panel, Left            | 243-CR3-000C          | 243-CR3-000E      | 243-CR3-000C             | 243-CR3-000C             |
| 22  | Rear Divider                | 243-CQW-000V          | 243-CQW-000U      | 243-CQW-000R             | 243-CQW-000P             |
| 23  | Rear Blower Cover           | 243-CR3-000H          | 243-CR3-000H      | 243-CR6-0009             | 243-CQX-000J             |
| 24  | Beauty Cover                | 372-CQZ-0010          | 372-CQZ-000Y      | 372-CQZ-000C             | 372-CQZ-000B             |
|     | Gasket                      | 1708725 & 1708755     | 1708754 & 1708755 | 1708724 & 1708725        | 1708724 & 1708725        |
| 25  | Side Panel, Right           | 243-CR3-000D          | 243-CR3-000F      | 243-CR3-000D             | 243-CR3-000D             |
| 26  | Food Divider                | 269-CR1-0006          | 269-CR1-000A      | 269-CR1-0006             | 269-CR1-0006             |
|     | Power Cord                  | 2186981               | 2186981           | 2186994                  | 2186994                  |
|     | Strain Relief               | MER340032             | MER340032         | 2194696                  | 2194696                  |

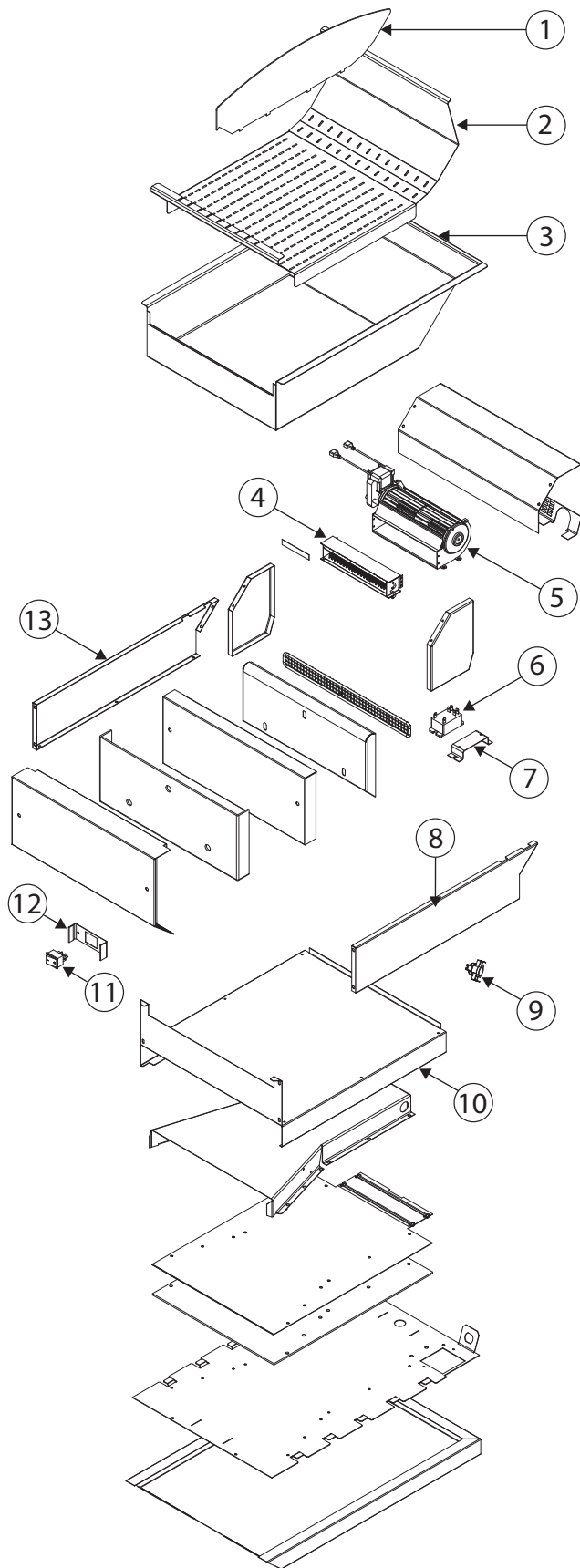
## Closed Loop Counter Top Components



| Key | Description   | Part Number For Model |              |              |              |
|-----|---|-----------------------|--------------|--------------|--------------|
|     |   | FFHS10A-C             | FFHS16A-C    | FFHS16F-C    | FFHS27A-C    |
| 1   | End, Body, FFHS, Left                                 | 243-CR3-0031          | 243-CR3-0031 | 243-CR3-0043 | 243-CR3-0041 |
| 2   | End, Body, FFHS, Right                                | 243-CR3-0030          | 243-CR3-0030 | 243-CR3-0042 | 243-CR3-0040 |
| 3   | Channel, Duct, Air, FFHS                              | 243-CRA-0006          | 243-CRA-0034 | 243-CRA-0035 | 000-CRG-0016 |
| 4   | Relay, DPST   | 2198560               | 2198560      | 2198560      | 2198639      |
| 5   | Bracket, Relay, FFHS                                  | 025-CR8-0003          | 025-CR8-0003 | 025-CR8-0003 | 025-CR8-0003 |
| 6   | Blower, Tang, 60Hz                                    | 2198565               | 2198562      | 2198562      | 2198637      |
| 7   | Bracket, Power Supply                                 | 025-CR8-0006          | 025-CR8-0006 | 025-CR8-0006 | 025-CR8-0006 |
| 8   | Power Supply, 12VDC                                   | 2198652               | 2198652      | 2198652      | 2198652      |
| 9   | Heating Element, 120V-15A<br>Heater, Air, 4500W, 208V | 2198569<br>-          | 2198682<br>- | 2198682<br>- | -<br>2198638 |
| 10  | Plate, Switch   | 243-CR1-0001          | 243-CR1-0001 | 243-CR1-0001 | 243-CRE-0031 |
| 11  | Switch, Rocker, 250V, 16A                             | 2195339               | 2195339      | 2195339      | 2195339      |
| 12  | Label, Caution Hot, English/French                    | 9294552               | 9294552      | 9294552      | 9294552      |
| 13  | Potentiometer   | 2198674               | 2198674      | 2198674      | 2198674      |
| 14  | Bracket, Relay, FFHS                                  | 270-CR8-0008          | 270-CR8-0008 | 270-CR8-0008 | 243-CR8-0031 |
| 15  | Pan, Grease   | 265-CR2-0035          | 265-CR2-0034 | 265-CR2-0036 | 243-CR2-0033 |
| 16  | Controller, Temperature                               | 2198650               | 2198650      | 2198650      | 2198650      |
| 17  | Switch, C/D, Motor, FFHS<br>T-Disc, 240/275 F, NC     | -<br>2198559          | -<br>2198559 | -<br>2198559 | -<br>2198640 |
| 18  | Thermocouple  | 2198653               | 2198653      | 2198653      | 2198654      |
| 19  | Tray, Product, BK, FFHS                               | 265-CR8-003H          | 265-CR8-003G | 265-CR8-003G | 265-CR8-0031 |
| 20  | Plate, Divider, Dump, FFHS,                           | 269-CR1-0036          | 269-CR1-0036 | 269-CR1-0007 | 269-CR1-0006 |
| 21  | Ribbon, 5 Pleat Box, select models                    | 3231410               | 3231410      | 3231410      | 3231410      |
| -   | Bushing, .875, Snap                                   | 9321199               | 9321199      | 9321199      | 9321199      |
| -   | Bushing, Strain Relief                                | 2194697               | 2194697      | 2194697      | 9321122      |
| -   | Cord, Power   | 2186981               | 2186981      | 2186981      | 2186994      |
| -   | Insulation, Paper, Disc                               | 3435007               | 3435007      | 3435007      | -            |

## Legacy Open Loop FFHS-16 & FFHS-16 CE Components

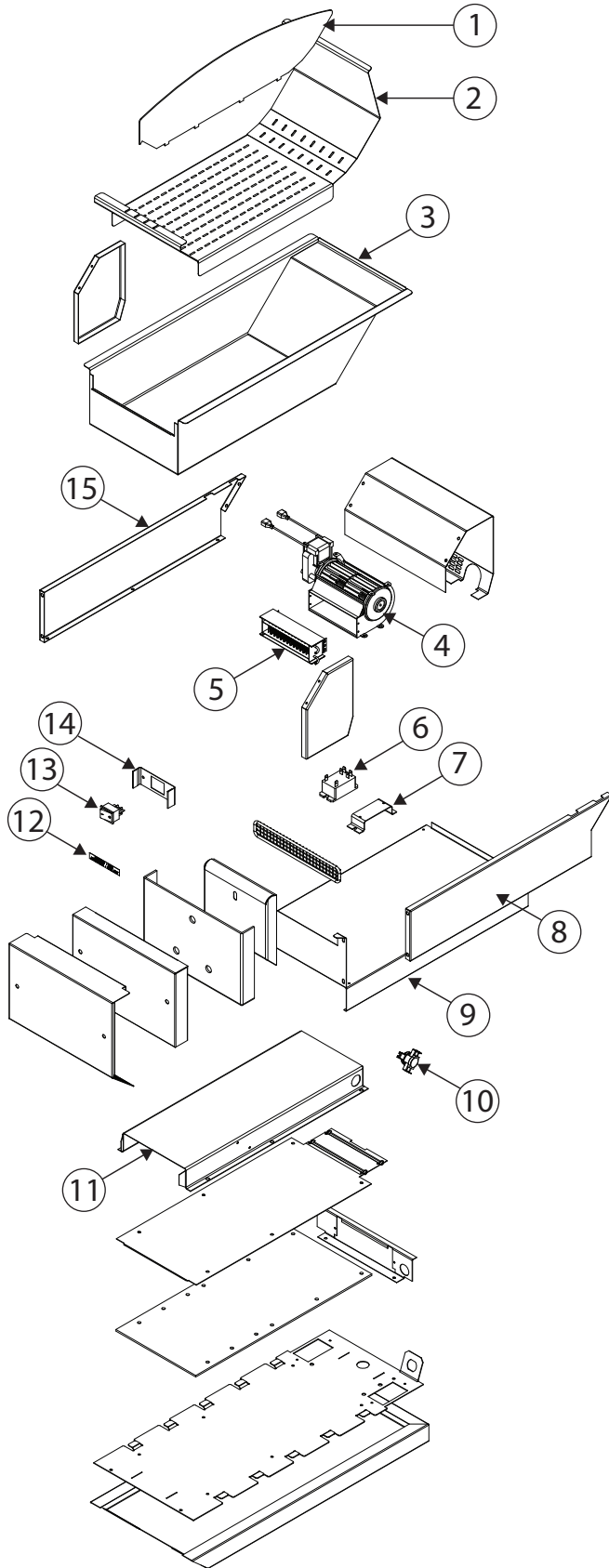
For replacement parts only,  
this equipment is no longer in production.



| Key | Description                        | Part Number  |
|-----|------------------------------------|--------------|
| 1   | Divider                            | MER27045SP   |
| 2   | Pan, Dump, Fry                     | MER27375-4   |
| 3   | Pan, Grease, Weldment              | MER27370-3   |
| 4   | Heater/Blower Kit, 27007           | 000-CQQ-0011 |
|     | Heater, 27008                      | MER27122SP   |
|     | Heater, 1850 W 120V, 27012         | MER340063    |
| 5   | Heater/Blower Kit, 27007           | 000-CQQ-0011 |
|     | Blower, 27008                      | MER27113SP   |
|     | Blower, 27012                      | MER27505SP   |
| 6   | Relay, DPST, 25A, 120V             | MER340089    |
|     | Relay, 27008                       | MER27180SP   |
| 7   | Relay Bracket, FFHS-16             | MER340098    |
| 8   | Outer Panel, Right                 | MER27125     |
| 9   | T-Disc, 240/275 F, NC              | MER340088    |
|     | Copaco Paper, .015" x 2" x 7.75"   | MER000496SP  |
| 10  | Inner Base Formed                  | MER27080-3   |
| 11  | Lighted Rocker Switch              | MER340038    |
| 12  | Panel, Switch, FFHS                | MER340091    |
| 13  | Outer Panel, Left                  | MER27120     |
|     | Bushing, .875, Snap Universal      | MER340024    |
|     | Bushing, Heyco                     | MER340032    |
|     | Label, Caution Hot, English/French | MER340023    |
|     | Power Cord – 27007                 | MER340095    |
|     | Power Cord – 27008                 | MER340097    |
|     | Power Cord – 27012                 | MER340096    |
|     | Switch Guard                       | MER340148    |

## Legacy Open Loop FFHS-10 & FFHS-10 CE Components

For replacement parts only,  
this equipment is no longer in production.



| Key | Description                        | Part Number  |
|-----|------------------------------------|--------------|
| 1   | Divider                            | MER27045SP   |
| 2   | Pan, Dump, Fry                     | MER27375-6   |
| 3   | Pan, Grease, Weldment              | MER27370-4   |
| 4   | Blower, 27019                      | MER340152    |
|     | Blower, 27019-CE                   | MER100004886 |
| 5   | Heater, 27019                      | MER340151    |
|     | Heater, 27019-CE                   | MER10004887  |
| 6   | Relay, DPST, 25A, 120V             | MER340089    |
|     | Relay, 240v, 27019-CE              | MER27180SP   |
| 7   | Bracket, Relay, FFHS               | MER340098    |
| 8   | Outer Panel, Right                 | MER27125     |
| 9   | Inner Base Formed                  | MER27080SP   |
| 10  | T-Disc, 240/275 F, NC              | MER340088    |
|     | Copaco Paper, .015" x 2" x 7.75"   | MER000496SP  |
| 11  | Air Duct                           | MER70001225  |
| 12  | Label, Caution Hot, English/French | MER340023    |
| 13  | Switch, Rocker, Lighted            | MER340038    |
| 14  | Panel, Switch, FFHS                | MER340091    |
| 15  | Outer Panel, Left                  | MER27120     |
|     | Bushing, .875, Snap Universal      | MER340024    |
|     | Bushing, Heyco                     | MER340032    |
|     | Power Cord – 27019                 | MER340095    |
|     | Power Cord – 27019-CE              | MER340097    |
|     | Switch Guard                       | MER340148    |



1-844-724-CARE • [www.mtwkitchencare.com](http://www.mtwkitchencare.com)