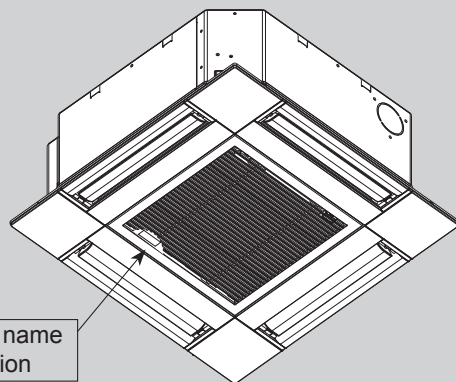


PARTS CATALOG

Series PLFY Ceiling Cassettes R410A

Indoor unit [Model Name]	[Service Ref.]
PLFY-P05NFMU-E	PLFY-P05NFMU-E.TH
PLFY-P08NFMU-E	PLFY-P08NFMU-E.TH
PLFY-P12NFMU-E	PLFY-P12NFMU-E.TH
PLFY-P15NFMU-E	PLFY-P15NFMU-E.TH
PLFY-P18NFMU-E	PLFY-P18NFMU-E.TH

Note:
• RoHS compliant products
have <G> mark on spec
name plate.



INDOOR UNIT

CONTENTS

1. RoHS PARTS LIST.....	2
-------------------------	---

SERVICE MANUAL (OCH604)

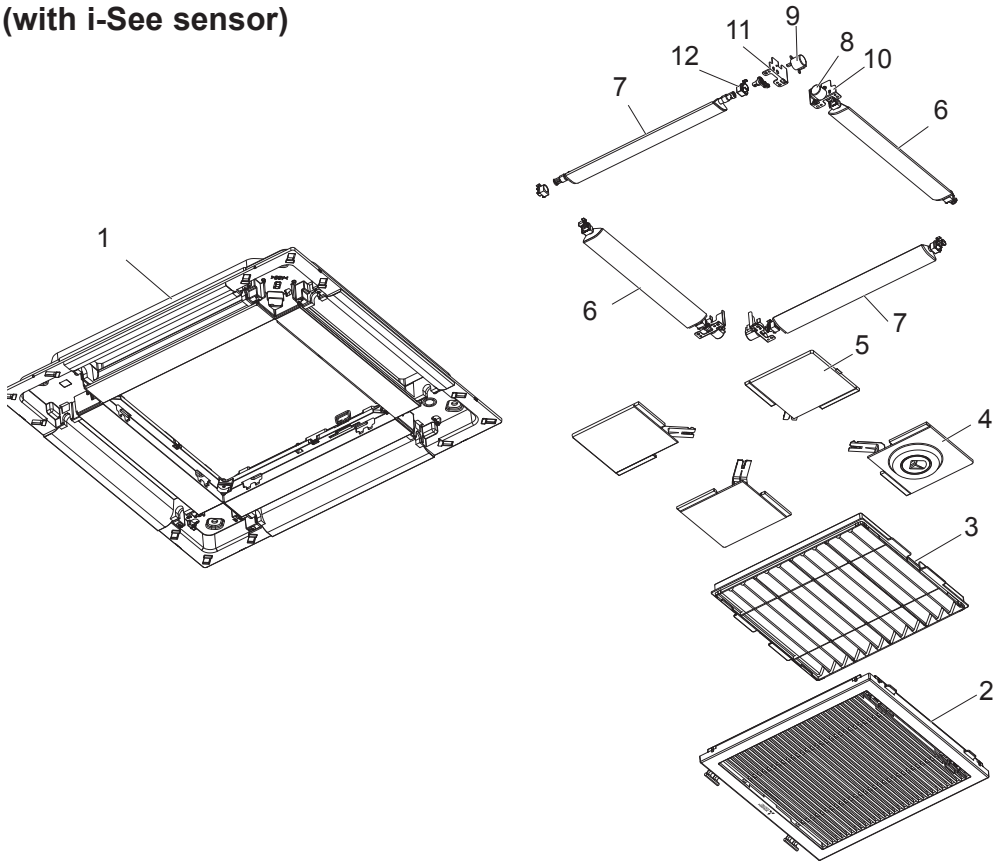
1

RoHS PARTS LIST

PANEL PARTS

SLP-18FAU (Standard)

SLP-18FAEU (with i-See sensor)



Parts numbers that are circled are not shown in the figure.

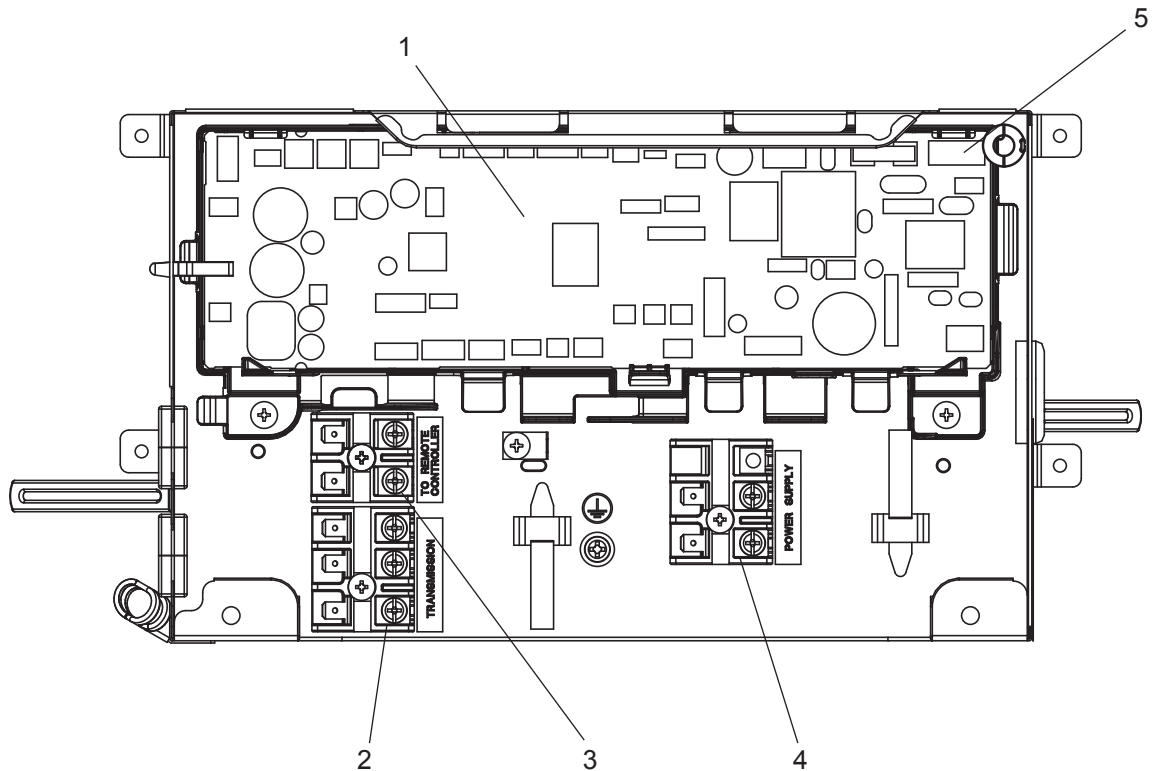
No.	RoHS	Parts No.	Parts Name	Specification	Q'ty/unit		Wiring Diagram Symbol
					SLP-18FAU	SLP-18FAEU	
1	G	E17 C26 003	AIR OUTLET GRILLE		1	1	
2	G	E17 C26 010	INTAKE GRILLE		1	1	
3	G	E17 C26 100	AIR FILTER		1	1	
4	G	E17 C29 975	CORNER PANEL (i-See sensor)			1	
5	G	E17 C26 975	CORNER PANEL	with safety strap	4	3	
6	G	E17 C26 037	AUTO VANE -1	GREEN	2	2	
7	G	E17 C27 037	AUTO VANE -2	BLUE	2	2	
8	G	E17 C26 303	VANE MOTOR-1	GREEN	2	2	
9	G	E17 C27 303	VANE MOTOR-2	BLUE	2	2	
10	G	E17 C26 946	COUPLING-1	GREEN	2	2	
11	G	E17 C27 946	COUPLING-2	BLUE	2	2	
12	G	E17 C26 044	VANE BUSH		8	8	
(13)	G	E17 C26 033	WIRE HOOK		2	2	
(14)	G	E17 C27 087	JUNCTION CABLE (i-See sensor)			1	

RoHS PARTS LIST

ELECTRICAL PARTS
 PLFY-P05NFMU-E.TH
 PLFY-P15NFMU-E.TH

PLFY-P08NFMU-E.TH
 PLFY-P18NFMU-E.TH

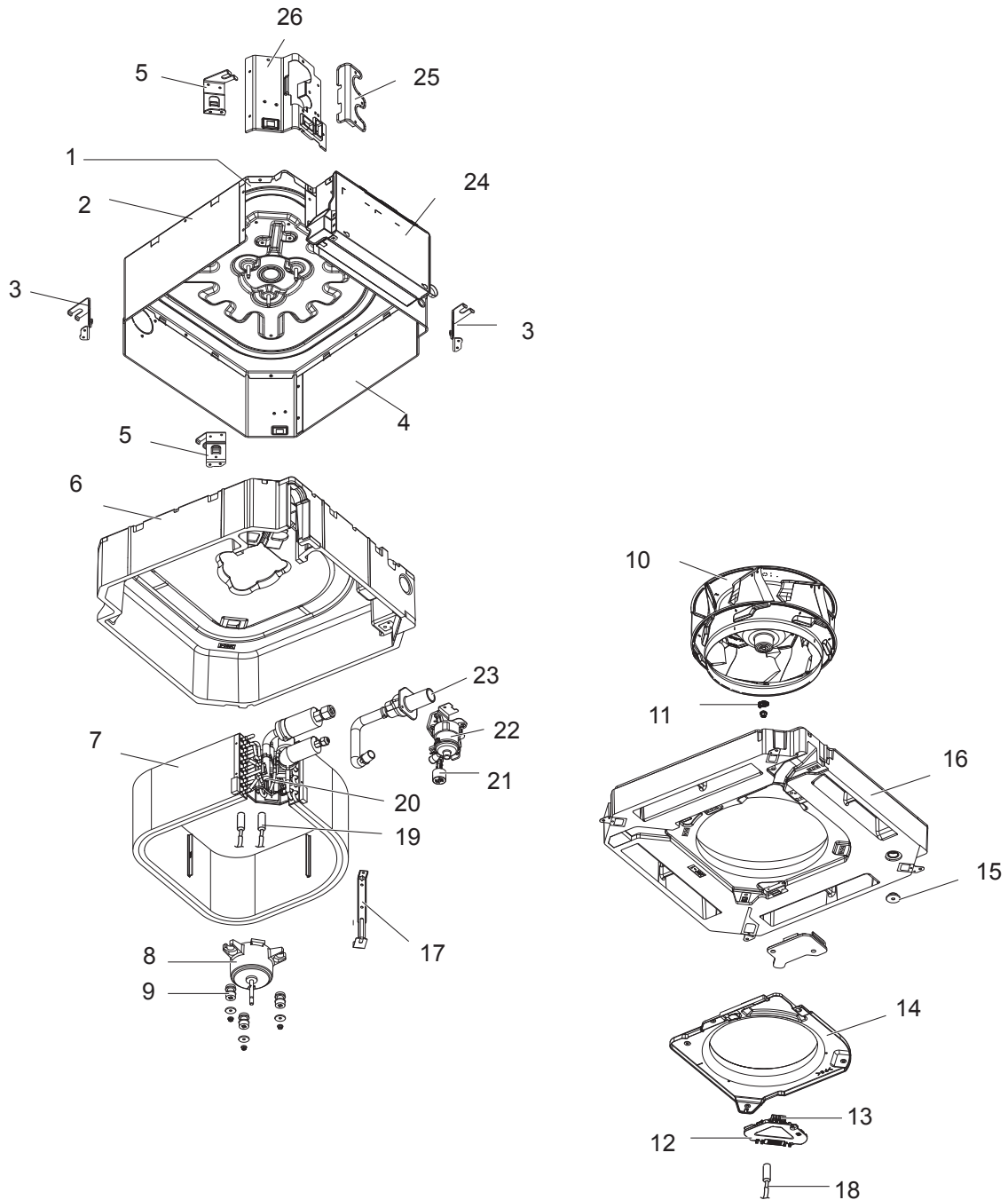
PLFY-P12NFMU-E.TH



No.	RoHS	Parts No.	Parts Name	Specification	Q'ty/unit					Wiring Diagram Symbol
					PLFY-P05NFMU-E.TH	PLFY-P08NFMU-E.TH	PLFY-P12NFMU-E.TH	PLFY-P15NFMU-E.TH	PLFY-P18NFMU-E.TH	
1	G	E17 K05 447	INDOOR CONTROLLER BOARD		1	1	1	1	1	I.B
2	G	E17 154 375	TERMINAL BLOCK	3P(M1, M2, S)	1	1	1	1	1	TB5
3	G	E17 156 375	TERMINAL BLOCK	2P(1, 2)	1	1	1	1	1	TB15
4	G	E17 K05 375	TERMINAL BLOCK	2P(L1, N2)	1	1	1	1	1	TB2
5	G	E17 648 382	FUSE	6.30 A/ 250 FSL	1	1	1	1	1	F1

RoHS PARTS LIST

FUNCTIONAL PARTS
PLFY-P05NFMU-E.TH
PLFY-P08NFMU-E.TH
PLFY-P12NFMU-E.TH
PLFY-P15NFMU-E.TH
PLFY-P18NFMU-E.TH



RoHS PARTS LIST

No.	RoHS	Parts No.	Parts Name	Specification	Q'ty/unit					Remarks (Drawing No.)	Wiring Diagram Symbol
					PLFY-P05NFMU-E.TH	PLFY-P08NFMU-E.TH	PLFY-P12NFMU-E.TH	PLFY-P15NFMU-E.TH	PLFY-P18NFMU-E.TH		
1	G	E17 C12 290	BASE		1	1	1	1	1		
2	G	E17 C13 124	DRUM-B		1	1	1	1	1		
3	G	E17 C12 808	LEG-1		2	2	2	2	2		
4	G	E17 C12 124	DRUM-A		1	1	1	1	1		
5	G	E17 C12 809	LEG-2		2	2	2	2	2		
6	G	E17 C12 092	INNER COVER ASSY		1	1	1	1	1		
7	G	E17 C20 620	INDOOR HEAT EXCHANGER		1	1					
	G	E17 C23 620	INDOOR HEAT EXCHANGER				1	1	1		
8	G	E17 K05 300	INDOOR FAN MOTOR	ARW5202MS	1	1	1	1	1		MF
9	G	E17 C12 105	MOTOR MOUNT		3	3	3	3	3		
10	G	E17 C12 502	TURBO FAN		1	1	1	1	1		
11	G	E17 K05 097	SPL WASHER		1	1	1	1	1		
12	G	E17 C12 091	CONNECTOR COVER		1	1	1	1	1		
13	G	E17 C12 090	CONNECTOR BOX		1	1	1	1	1		
14	G	E17 C12 509	BELL MOUTH		1	1	1	1	1		
15	G	E17 436 524	DRAIN PLUG		1	1	1	1	1		
16	G	E17 C12 700	DRAIN PAN		1	1	1	1	1		
17	G	E17 C12 648	COIL SUPPORT		1	1	1	1	1		
18	G	E17 C12 308	ROOM TEMP.THERMISTOR		1	1	1	1	1		TH21
19	G	E17 C12 307	PIPE TEMP. THERMISTOR/LIQUID/GAS		1	1	1	1	1		TH22,TH23
20	G	E17 C20 640	LINEAR EXPANSION VALVE		1	1	1	1	1		
21	G	E17 C12 145	FLOAT SWITCH ASSY		1	1	1	1	1		FS
22	G	E17 C12 355	DRAIN PUMP		1	1	1	1	1		DP
23	G	E17 C12 702	DRAIN HOSE		1	1	1	1	1		
24	G	E17 K05 088	CONTROL BOX COVER		1	1	1	1	1		
25	G	E17 C13 006	COVER (DRUM-U)		1	1	1	1	1		
26	G	E17 C12 006	COVER (DRUM)		1	1	1	1	1		

CITY MULTI

mitsubishi ELECTRIC CORPORATION

HEAD OFFICE : TOKYO BUILDING, 2-7-3, MARUNOUCHI, CHIYODA-KU TOKYO 100-8310, JAPAN