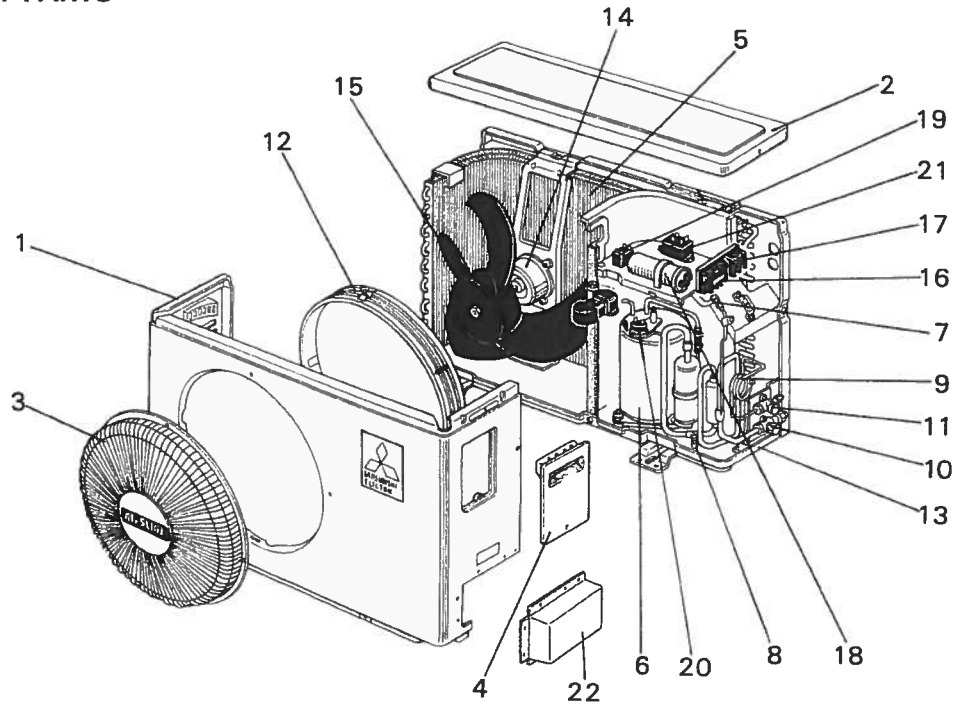


## OUTDOOR UNIT PARTS MU09EW



No.	Parts No.	Parts Name	Symbol in Wiring Diagram	Q'ty/unit	Remarks
				MU09EW	
1	T2W 464 232	CABINET ASSEMBLY		1	
2	M21 478 297	TOP PANEL		1	
3	T2W 416 521	FAN GUARD		1	
4	M21 A00 245	SERVICE PANEL		1	
5	T2W 416 630	OUTDOOR HEAT EXCHANGER		1	
6	T92 513 200	COMPRESSOR	MC	1	KH-122WES
7	T2W 457 641	CHARGE PLUG		2	
8	T2W 416 642	FUSIBLE PLUG		1	
9	M21 987 936	CAPILLARY TUBE		1	$\phi 0.12 \times$ $\phi 0.063 \times 126$
10	T2W 460 661	VALVE (GAS)		1	
11	T2W 460 662	VALVE (LIQUID)		1	
12	T2W 416 509	OUTER NOZZLE		1	
13	T2W 464 290	BASE ASSEMBLY		1	
14	T2W 679 301	OUTDOOR FAN MOTOR	MF	1	SGW-26C-CB
15	M21 601 501	PROPELLER		1	
16	T2W 811 375	OUTDOOR TERMINAL BLOCK	TB1	1	
17	M21 534 375	OUTDOOR TERMINAL BLOCK	TB2	1	
18	T2W 903 353	COMPRESSOR CAPACITOR	C1	1	55 $\mu$ F 220V
19	T2W 679 350	OUTDOOR FAN MOTOR CAPACITOR	C2	1	5 $\mu$ F 250V
20	T2W 464 340	OVERCURRENT RELAY	51C	1	
21	T2W 382 342	CONTACTOR	52C	1	
22	T2W 460 246	VALVE COVER		1	