

wire diagram
 METALINK 400 STANDARD
 (200V/200-240V/200V/1PH)

- | ITEM | DESCRIPTION |
|------|-------------------------------|
| 1 | FAN SWITCH |
| 2 | LIGHT SWITCH |
| 3 | BUZZER INDICATOR LIGHT - 200V |
| 4 | GENERATOR SET POSITION SWITCH |
| 5 | TIMER - LOW |
| 6 | TIMER ALARM BUZZER |
| 7 | OIL PRESSURE PUMP CONTROLLER |
| 8 | GROUND PROBE |
| 9 | DOOR SWITCH |
| 10 | TRANSFORMER 100/200V/200V |
| 11 | DIRECTION CONTROL LIGHT |
| 12 | SPARE SOLENOID |
| 13 | SOLENOID PROBE |
| 14 | POWER LEAD |
| 15 | OIL VALVE CABLE |
| 16 | SOLENOID VALVE |
| 17 | TERMINAL STRIP |
| 18 | SAFETY LIGHTS - 120V/60W |
| 19 | MOTOR - 200V 1PH |
| 20 | WATER TERMINAL BLOCK |

wire-type WFF-L, SIZE 1004
 INSULATION PROGRAM - 200V
 200V/200V (200V)

Replacement wires must be of same
 type or equivalent as original.

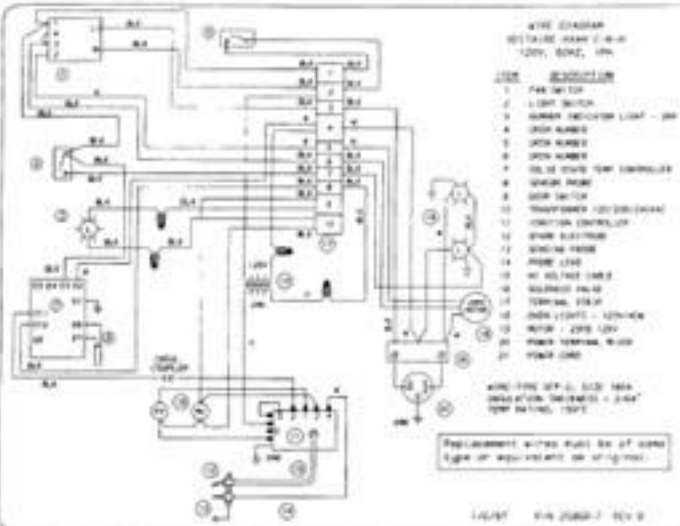
WIRE DIAGRAM
 WETAIR 400 STANDARD
 120V, 60HZ, 1PH

TERMINAL DESCRIPTION

- | TERMINAL | DESCRIPTION |
|----------|----------------------------|
| 1 | PAW SWITCH |
| 2 | LIGHT SWITCH |
| 3 | WARM INDICATOR LIGHT - 20W |
| 4 | TEMPERATURE SET ADJUSTMENT |
| 5 | TIMER - 120V |
| 6 | TIMER ALARM BELL |
| 7 | WELD THERM COP CONTROLLER |
| 8 | WARM ROOM COIL |
| 9 | DOOR SWITCH |
| 10 | TRANSFORMER 120/0-120/240V |
| 11 | CONTROL CONTROLLER |
| 12 | WARM ELECTRIC |
| 13 | WELDING ROOM (FURN) |
| 14 | ROOM LIGHT |
| 15 | W/ WELDER CABLE |
| 16 | WELDER FAN |
| 17 | GENERAL STOP |
| 18 | DATA LIGHTS - 120/240V |
| 19 | WELDER - 240V 100W |
| 20 | WELD THERMAL BURN |
| 21 | WELD COIL |

WIRE TYPE WFT-2, 1/16" DIA
 INSULATION THICKNESS - 2/32"
 TEMP RATING 150°C

Replacement wires must be of same
 type or equivalent as original.



WIRE GAUGE
 WIRE SIZE FROM 14-18
 12V, 50WZ, 10A

- LEG. DESCRIPTION
- 1 FUSE BOX
 - 2 LIGHT SWITCH
 - 3 HORN RELAY/CLIP - 10A
 - 4 30A WAGO
 - 5 30A WAGO
 - 6 30A WAGO
 - 7 60.00 200V 100V CONTROLLER
 - 8 100W WAGO
 - 9 100W WAGO
 - 10 100W WAGO (200V/100V)
 - 11 CONTROL CONTROLLER
 - 12 100W 100V
 - 13 100W 100V
 - 14 100W 100V
 - 15 100W 100V
 - 16 100W 100V
 - 17 100W 100V
 - 18 100W 100V
 - 19 100W 100V
 - 20 100W 100V
 - 21 100W 100V

WIRE 100W 100V, 100W 100V
 WIRE SIZE FROM 14-18
 12V, 50WZ, 10A

Replacement wires must be of same
 type or equivalent or original.