

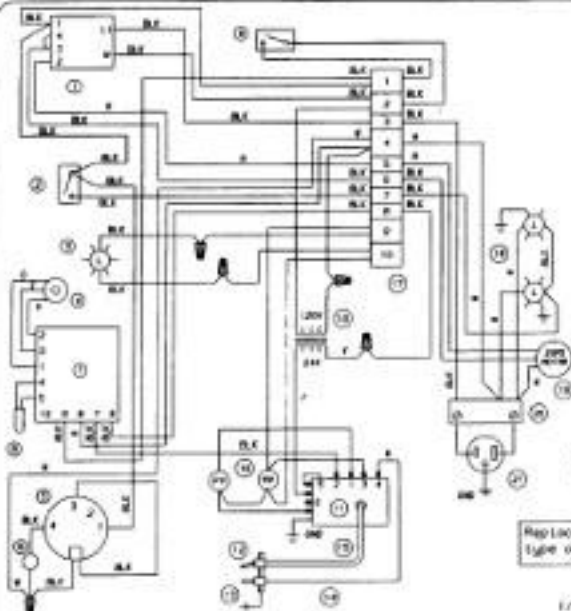


WIRE DIAGRAM  
 RECTASOL HSA STANDARD  
 120V, 60HZ, 1PH

ITEM	DESCRIPTION
1	FM SWITCH
2	LIGHT SWITCH
3	BURNER INDICATOR LIGHT - 20W
4	TEMPERATURE SET POTENTIOMETER
5	TIMER - 120V
6	TIMER ALARM BELL
7	NO. 10 STATE GHW CONTROLLED
8	SENSOR PROBE (CORN)
9	DOOR SWITCH
10	TRANSFORMER 100/200/240VAC
11	IGNITION CONTROLLER
12	SPARK ELECTRODE
13	SENDING PROBE (FUEL)
14	PROBE LEAD
15	HI RESISTOR CABLE
16	SOLDERED PLATE
17	TERMINAL STRIP
18	OVEN LIGHTS - 120V/40W
19	WASH - 250V 1/2HP
20	POWER TERMINAL BLOCK
21	POWER CORD

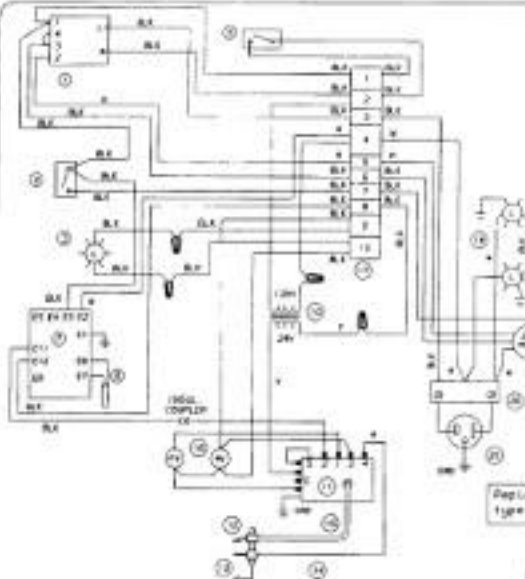
WIRE TYPE WFT-2, SIZE 18AWG  
 INSULATION THICKNESS - 215μ"  
 TEMP RATING, 150°C

Replacement wires must be of same  
 type or equivalent as original.





WIRE DIAGRAM  
 RETAIRE HAIR C-4-4  
 120V, 60HZ, 1944



- | TER | DESCRIPTION                   |
|-----|-------------------------------|
| 1   | FAN 54V 10W                   |
| 2   | LIGHT SWITCH                  |
| 3   | BURRER HEATER LIGHT - 24V     |
| 4   | CRCH NUMBER                   |
| 5   | CRCH NUMBER                   |
| 6   | CRCH NUMBER                   |
| 7   | 54V 12 STAFF TEMP CONTROLLER  |
| 8   | SHOWER MOTOR                  |
| 9   | DOOR SWITCH                   |
| 10  | TRANSFORMER 100/250V 120/240V |
| 11  | 100W 110V GEORLICKY           |
| 12  | SHAKE ELECTRODE               |
| 13  | SHOULDR MOTOR                 |
| 14  | POWER LEAD                    |
| 15  | 41 VOLTAGE WIRE               |
| 16  | 54V/12V 10/4V                 |
| 17  | TERMINAL STRIP                |
| 18  | ONEN LIGHTS - 120V/40W        |
| 19  | MOTOR - 250V 120V             |
| 20  | POWER TERMINAL 4 120V         |
| 21  | POWER WIRE                    |

WIRE-TYPE SP-2, 110V 100W  
 NEGATIVE TERMINALS - 2/14  
 TEMP. OUTLINE 100V

Replacement wires must be of same type or equivalent as original.