



moisture+[™]
MP ES/ED - 10
Electric

PARTS LIST

Toll Free Phone, (US & Canada): (800) 427-6668

Toll Free Fax, (US & Canada): (800) 361-7745

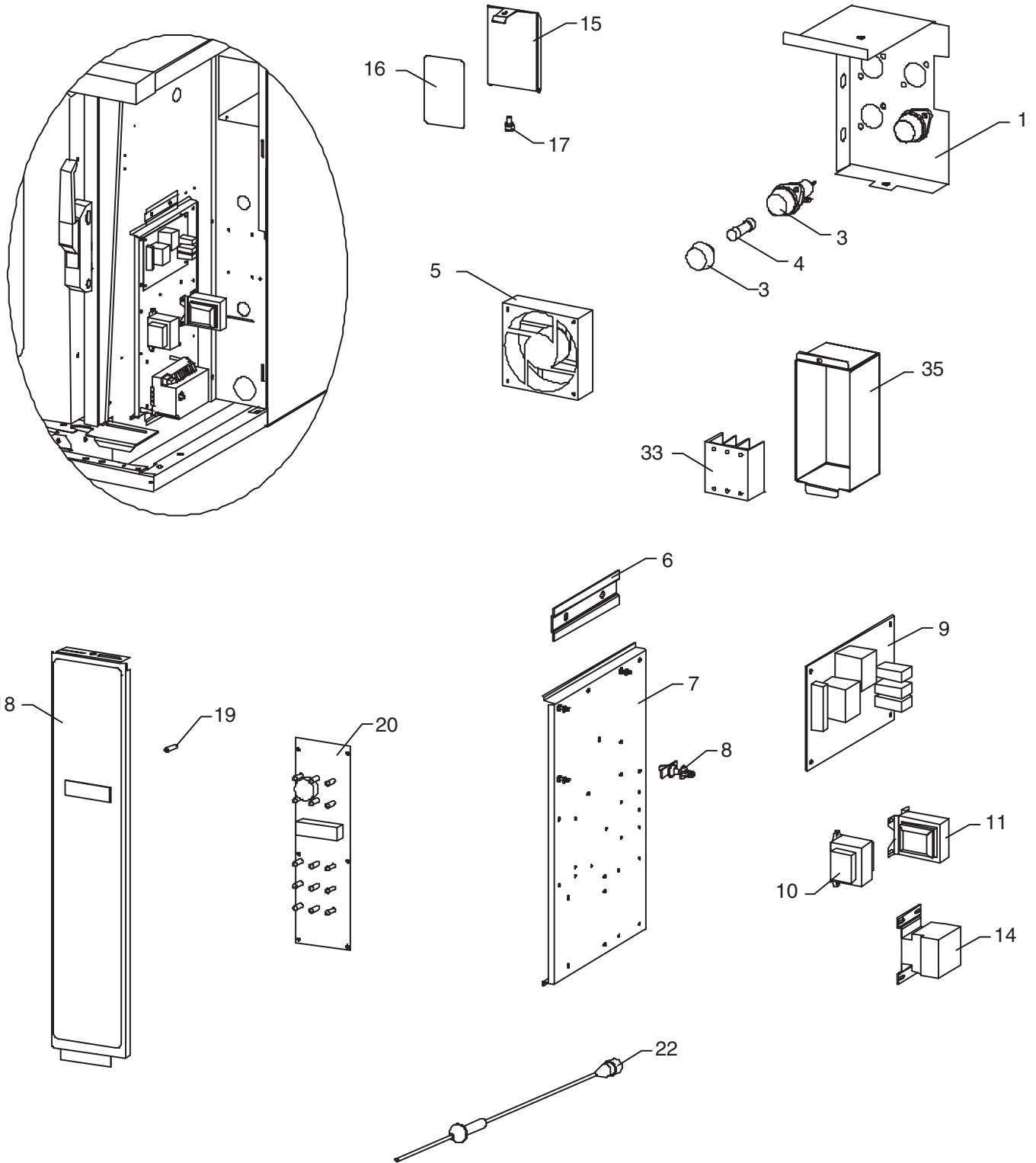
<http://www.garland-group.com>



moisture+TM
MP ES/ED - 10
Electric

Contents:

Deluxe Control Panel..... Page 4
Standard Control Panel Page 6
Interior Components..... Page 8
Door Components Page 10
Plumbing Components Page 12
Main Exterior Page 14
Wire Diagrams & Harnesses Page 16
Revision History..... Page 17



Deluxe Control Panel (electric).dwg

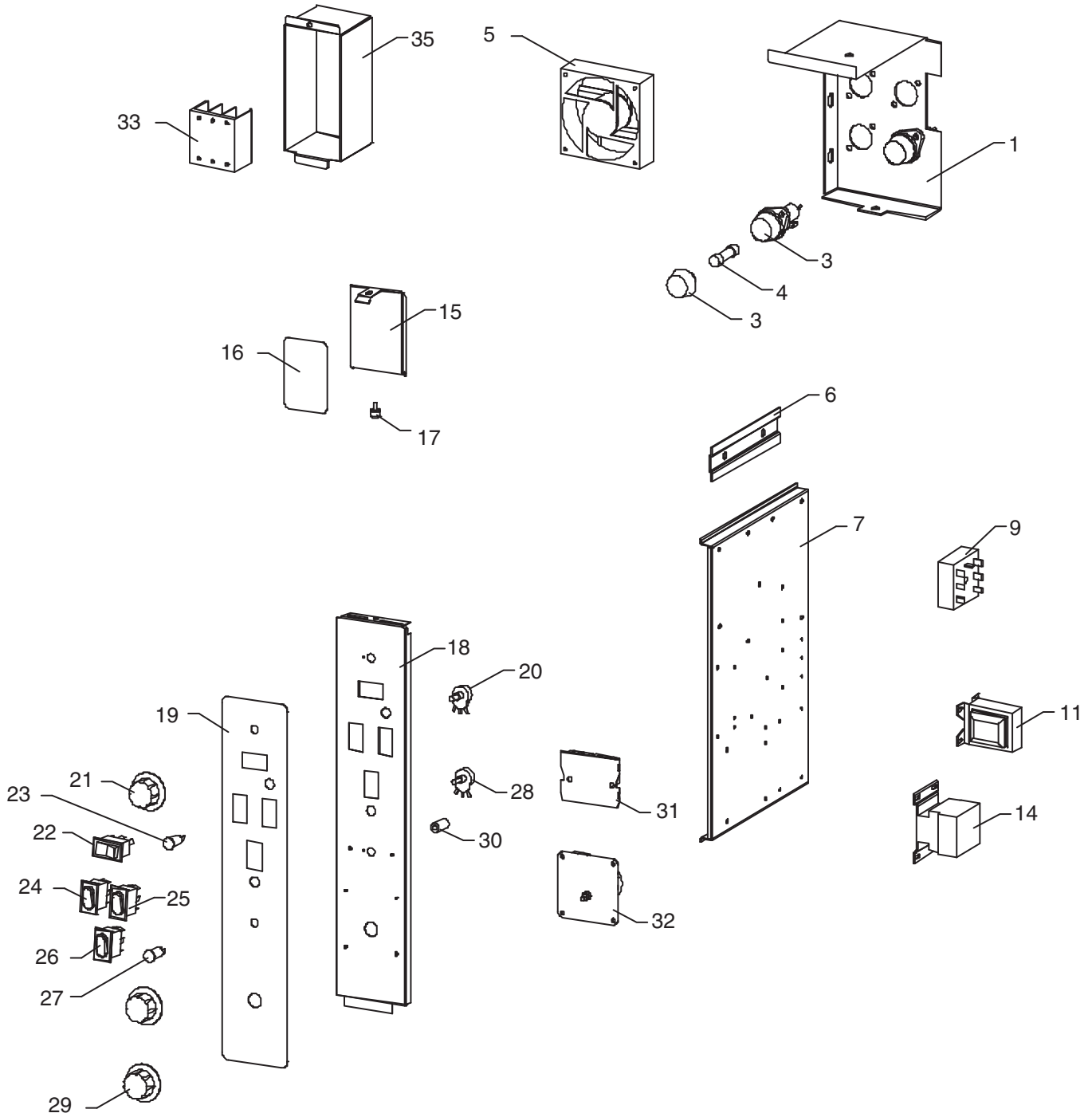
GARLAND PARTS IDENTIFICATION

Deluxe Control Panel;

ITEM	PART #	DESCRIPTION	QUANTITY
1	1918988	Bracket – Fuse Mount	1
2*	1845236	Label – Fuse Information	1
3	1130102	Fuse Holder 208/240 V	2
	1130100	Fuse Holder, 460 V Only	4
4	1130103	Fuse – SC 20 - 208/240V	2
	1130109	Fuse – ATQR 15 , 460 V Only	4
5	1918201	Fan – 120V	1
	1918202	Fan – 208/240V	1
6	1911301	Relay Bracket Slide	2
7	1933406	Bracket – Controls/Ignition	1
8	1767901	PCB Spacer	4
9	1933801	PCB Relay Board Assembly	1
10	1917101	24V Transformer 120V	1
	1917102	24V Transformer 208/240V	
11	1269800	24V Transformer 120V	1
	1636000	24V Transformer 208/240V	
14	1637002	Contact – 50 Amp	1
15	1932802	Cover – Upper Control Panel	1
16	1933511	Overlay – Upper, Electric	1
17	1091100	Thumbscrew	1
18	1932889	Control Panel Assembly	1
19	1955702	Stand-off, ¼ x 3/4 Nylon	6
20	1933701	PCB – Control Panel	1
22	1935001	Core Probe	1
23*	1935002	Wire Harness – Core Probe	1
33	1193900	Terminal Block	1
34*	1028402	Ground Lug	1
35	1927898	Cover – Terminal Block	1

* NOT ILLUSTRATED

RECOMMENDED STOCK PARTS



Standard Control Panel (electric).dwg

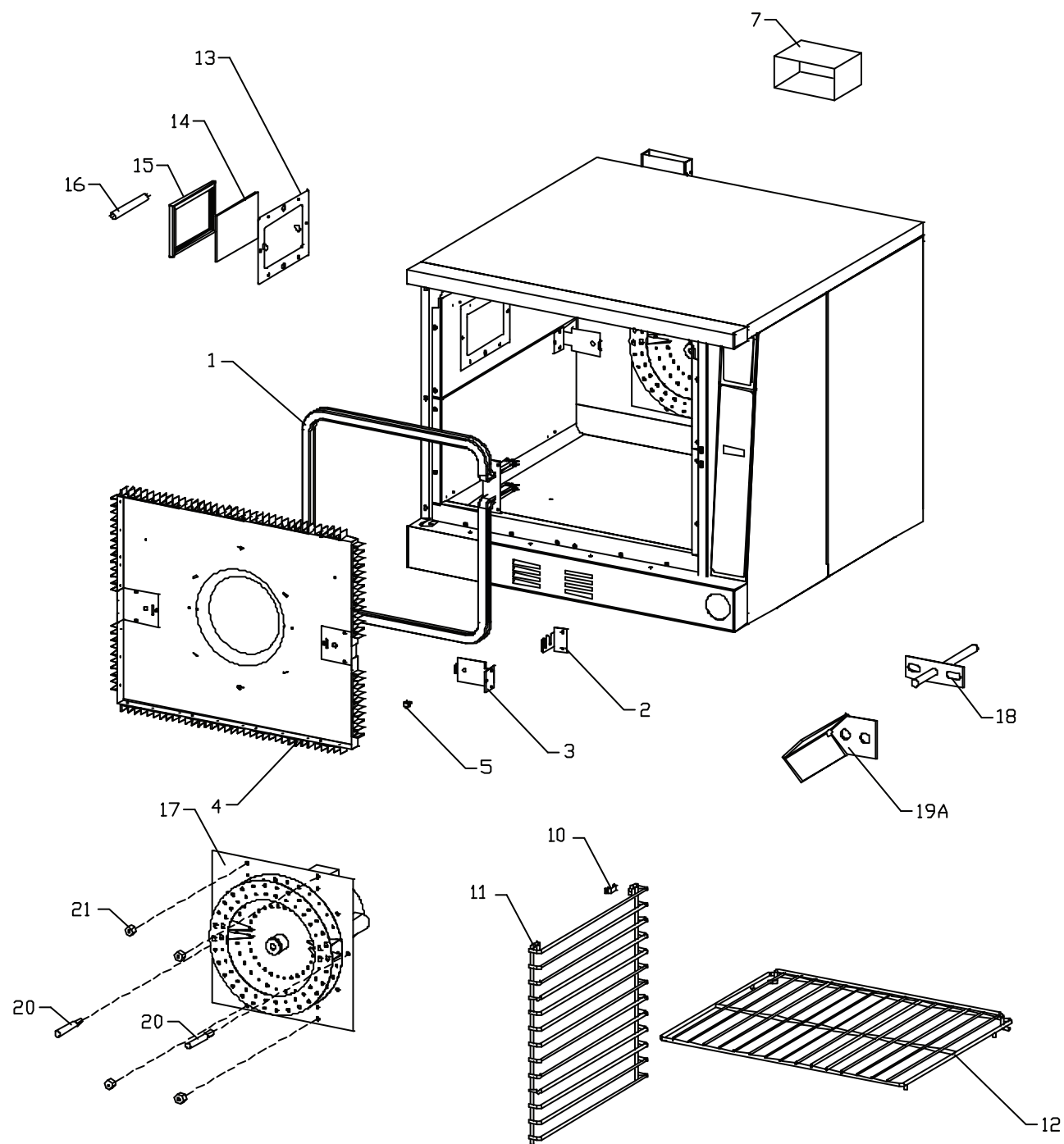
GARLAND PARTS IDENTIFICATION

Standard Control Panel

ITEM	PART #	DESCRIPTION	QUANTITY
1	1918988	Bracket – Fuse Mount	1
2*	1845236	Label – Fuse Information	1
3	1130102	Fuse Holder 208/240V	2
	1130100	Fuse Holder , 460 V Only	4
4	1130103	Fuse – SC 20 208/240V	2
	1130109	Fuse – ATQR 15 , 460 V Only	4
5	1918201	Fan – 120V	1
	1918202	Fan – 208/240V	1
6	1911301	Relay Bracket Slide	2
7	1933406	Bracket – Controls/Ignition	1
9	1936201	Timer - Moisture	1
11	1269800	24V Transformer 120V	1
	1636000	24V Transformer 208/240V	1
14	1637002	Contactor – 50 Amp	1
15	1932802	Cover – Upper Control Panel	1
16	1933511	Overlay – Upper, Electric	1
17	1091100	Thumbscrew	1
18	1932897	Control Panel Assembly	1
19	1933503	Overlay – Standard Control	1
20	1792901	Potentiometer	1
21	1765803	Knob – 1.5 inch Diameter	1
22	1935301	Switch – On/Off/Momentary	1
	1935302	Rocker Cover for 1935301 Switch	1
23	1936103	Indicator Lamp – Green, 220V	1
24	1955402	Switch – On/On	1
25	1955401	Switch – On/Off/On	1
26	1955403	Switch – Momentary	1
27	1936104	Indicator Lamp – Amber, 220V	1
28	1955601	Potentiometer	1
29	1765802	Knob	2
30	1955701	Standoff – Nylon, ½ x 1	2
30A*	1955801	Washer – Teflon	2
30B*	8001502	Nut – 6-32 w/ Lock Washer	2
31	1955501	PCB – Thermostat	1
32	1956011	Timer – 3 hour, 120V	1
	1956012	Timer – 3 hour, 220V	1
33	1193900	Terminal Block	1
34*	1028402	Ground Lug	1
35	1927898	Cover – Terminal Block	1

* NOT ILLUSTRATED

RECOMMENDED STOCK PARTS



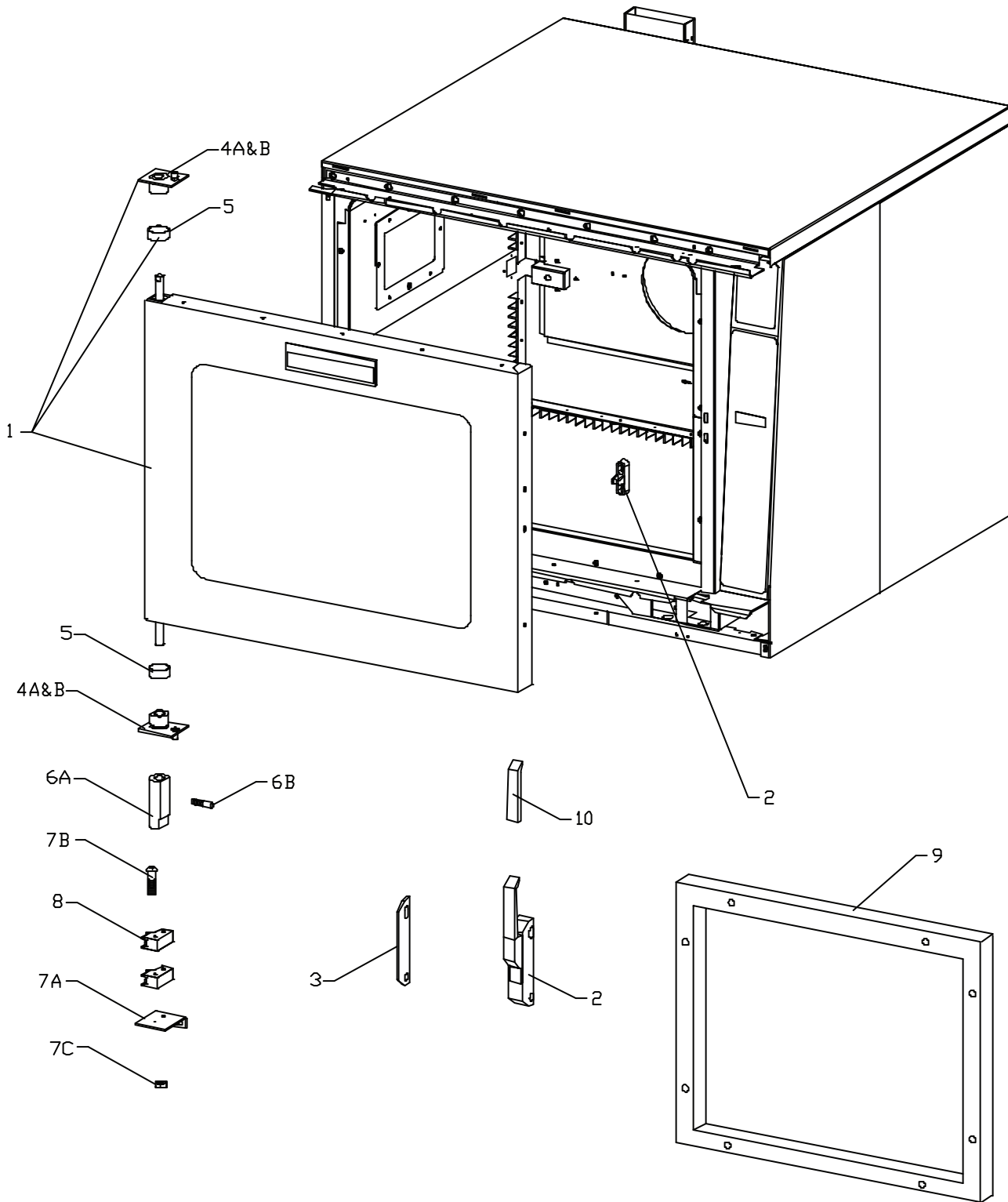
Interior Component (Electric)

GARLAND PARTS IDENTIFICATION
Interior Components (Electric)

ITEM	PART #	DESCRIPTION	QUANTITY
1	1933201	Element Assembly – 208V	1
	1933202	Element Assembly – 240V	1
	1933203	Element Assembly – 460V	1
2	1933401	Bracket – Element Mount	1
3	1930289	Bracket – Fan Cover Mount	2
4	1930189	Fan Cover Assembly	1
5	1935901	Thumbscrew	2
6*	1014500	Blower Inlet Cover	1
7	1936702	Cover – Element Terminals	1
8*	1033700	Transformer – 460V Only	1
10	1765212	Rack Guide Clip	8
11	1922101	Rack Guide – 13 Position, Standard	2
	1922102	Rack Guide – 13 Position, Deep	2
12	1922211	Oven Rack – Standard	6
	1922212	Oven Rack – Deep	6
13	1930701	Plate – Light Box Cover	1
14	1676901	Glass – Duplate	1
15	1932603	Gasket – Light Box	1
16	1623902	Lamp - 100W 208/220V	1
17	4518320	Motor Assembly – 208/240 Volt	1
18	1906002	Probe	1
19*	1906003	Probe Extension Cable	1
19A	1933407	Bracket – Probe Shield	1
20	4520295	Baffle Spacer S/S (2-3/4")	2
21	1935906	Nut Hex S/S 1/4"-20	4

* NOT ILLUSTRATED

RECOMMENDED STOCK PARTS



Door Components (Electric)

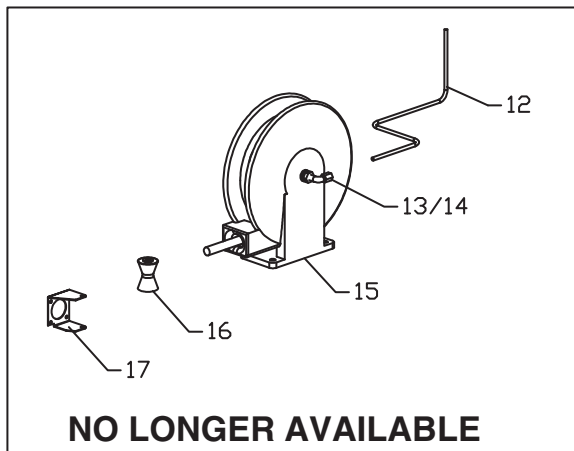
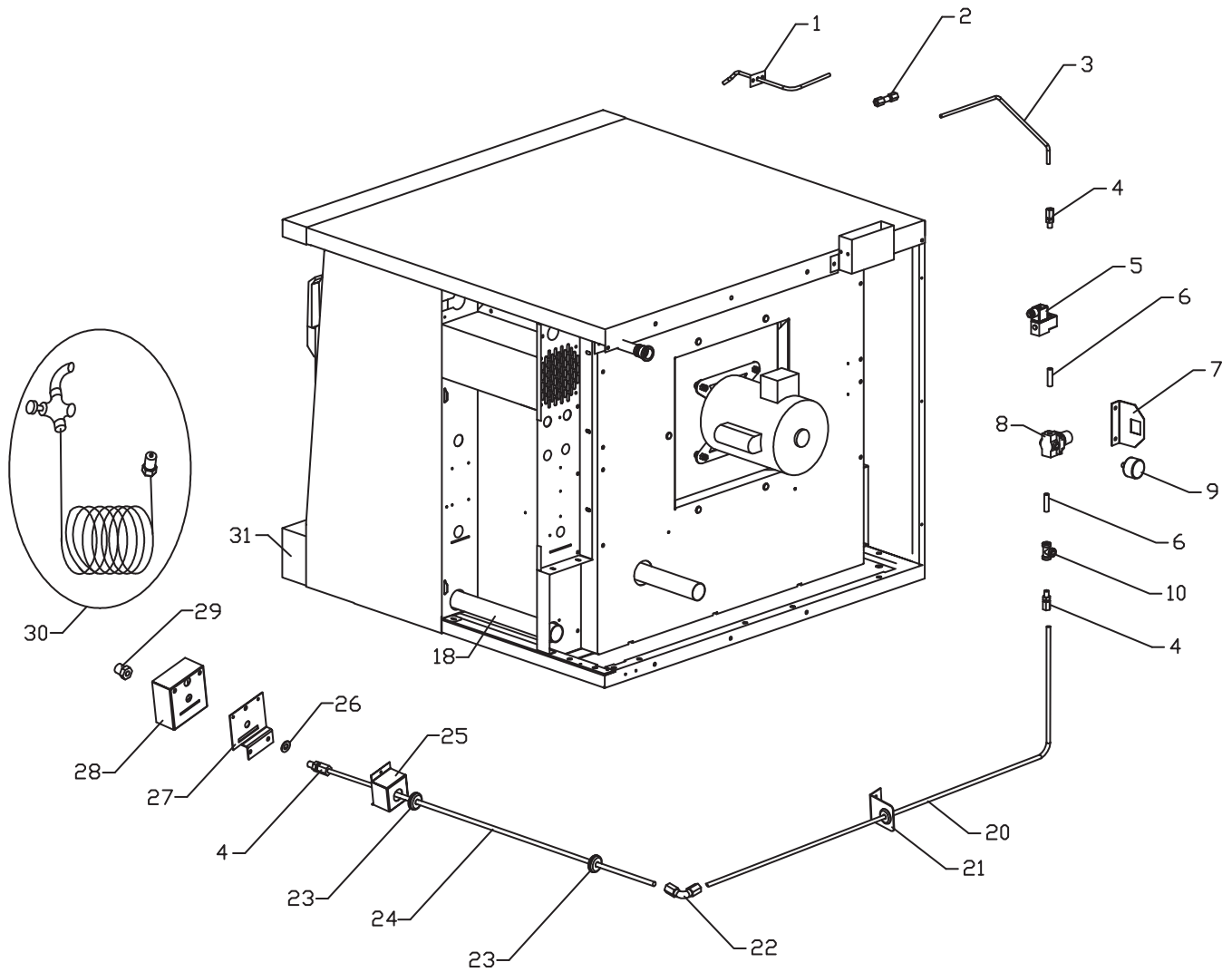
GARLAND PARTS IDENTIFICATION

Door Components

ITEM	PART #	DESCRIPTION	QUANTITY	DATE	
				UP TO	FROM
1	1932589	Door Door Assembly W/Window (Items 4B & 5 Included)	1	14-Apr-05	
	4520307	Kit, M+ Door Assembly W/Window (Items 4B & 5 Included)	1		14-Apr-05
	4520308	Kit, M+ Door Assembly Solid Door (Items 4B & 5 Included)	1		14-Apr-05
	4520309	Kit, M+ Door Assembly W/ Window Prison-Lock (Items 4B & 5 Included)	1		14-Apr-05
	4520310	Kit, M+ Door Assembly Solid Door Prison-Lock (Items 4B & 5 Included)	1		14-Apr-05
2	1936301	Door Handle	1		
3	1937201	Gasket – Door Handle	1		
4A	1923499	Bearing Plate	2	14-Apr-05	
4B	4520301	B/A Plate Door Bushing Extended	2		14-Apr-05
5	1923201	Decorative Ring	2		
6A	1925101	Cam – Door Switch	1		
6B	8003802	Set Screw 10-24 x 3/8	4		
7A	1925002	Bracket – Door Switches M+	1		
7B	8003212	Mscr – Ph–Phil 6-32 x 1/2” Stl 2p	4		
7C	8002502	Nut W/Washer 6-32-KEP	4		
8A	1855603	Door Switch – 1 amp Deluxe Electric Oven – Control Series	2		
8B	4519715	Door Switch – 15 amp Standard Electric Oven – Control Series	2		
9	1932604	Gasket Door Seal	1		
10	4517676	Door Handle Grip	1		

* NOT ILLUSTRATED

RECOMMENDED STOCK PARTS



GARLAND PARTS IDENTIFICATION

Plumbing Components

ITEM	PART #	DESCRIPTION	QUANTITY	UP TO	FROM
1	1935399	Tube – Moisture Injection	1		
2	1934903	1/4 CC to 1/4 CC	1		
3	1934302	Tube – Solenoid to Cavity	1		
4	1934901	Fitting – 1/8 NPT to CC Stainless	2		
5	1934401	Solenoid	1		
6	1935201	Fitting – 1” Nipple 1/8 NPT Stainless	2		
7	1933403	Bracket – Solenoid	1		
8	1934501	Valve	1		
9	1934502	Pressure Gauge	1		
10	1935203	Fitting – 1/8 NPT Stainless “T”	1		
11*	1935205	Fitting – Plug, 1/8 NPT Stainless No Hose Option	1		

Rinse Water System NO Longer Used – (Use Kit 4517927 or 4517932)

12	1934303	Tubing – Valve to Reel, Std – NLA	1	1-Jul-04	
	1934304	Tubing – Valve to Reel, Deep – NLA	1	1-Jul-04	
13	1934902	Fitting – Elbow, 1/8 NPT to CC – NLA	1	1-Jul-04	
14	1935501	Fitting – Reducer Bushing – NLA	1	1-Jul-04	
15	1934601	Hose Reel and Nozzle – NLA	1	1-Jul-04	
15A	1934602	Nozzle Only – NLA	1	1-Jul-04	
16	1934201	Roller – NLA	1	1-Jul-04	
16A*	1935401	Ball Detent	1	1-Jul-04	
17	1933402	Bracket – Roller – NLA	1	1-Jul-04	
18	1934397	Tubing – Hose Guard, Deep	1	1-Jul-04	
	1934398	Tubing – Hose Guard, Std	1	1-Jul-04	

New Rinse Water System – From July 1, 2004

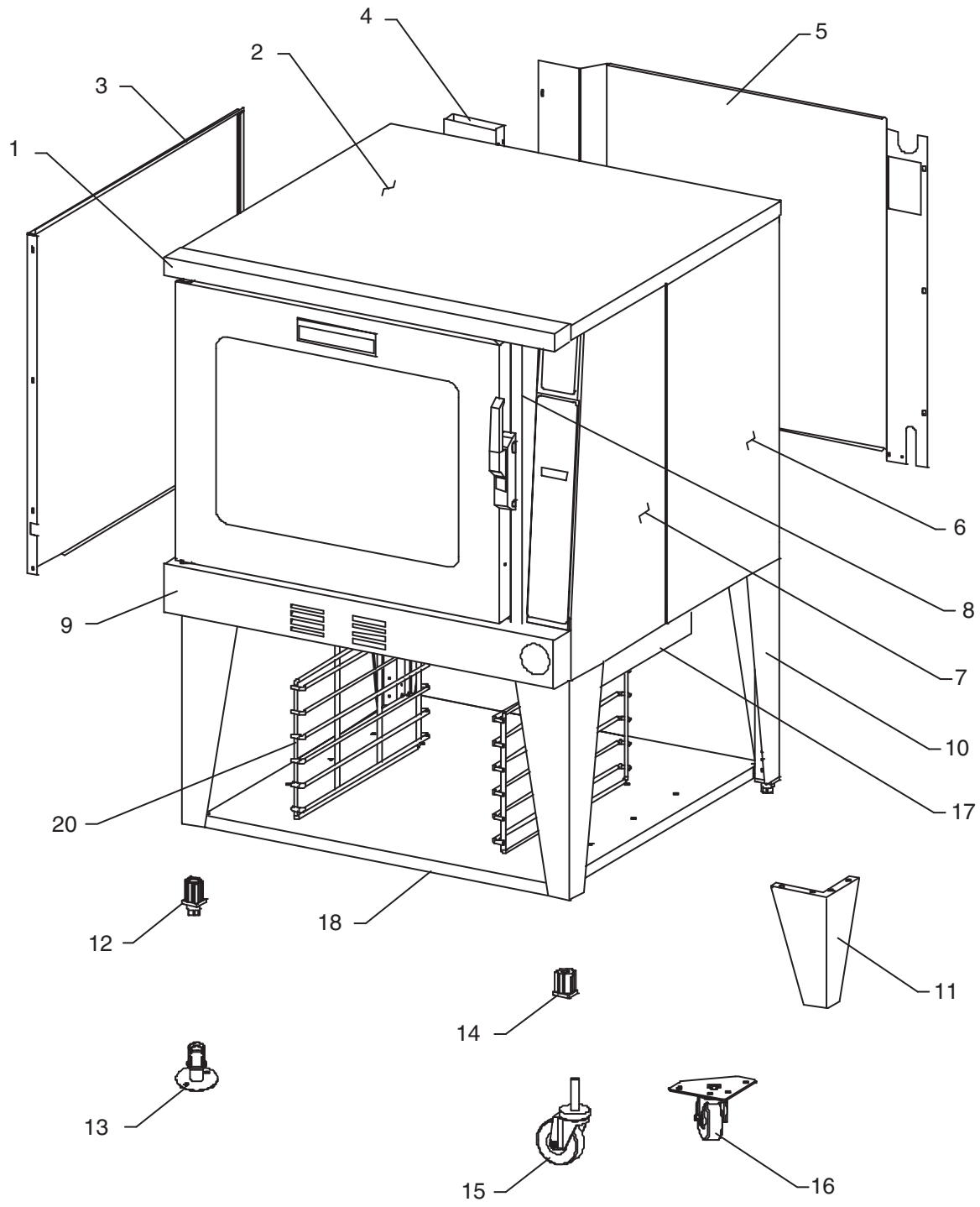
20	1934310	Tubing, Water Rinse Rear	1		1-Jul-04
21	1933409	Bracket Rear Rinse Tubing	1		1-Jul-04
22	1934801	Fitting – Elbow, 1/8 NPT	1		1-Jul-04
23	4517477	Grommet, H2O Line .313	2		1-Jul-04
24	1934312	Tubing, Water Rinse Front Deep	1		1-Jul-04
	1934311	Tubing, Water Rinse Front Standard	1		1-Jul-04
25	1933411	Cover, Water Connection	1		1-Jul-04
26	8000310	Flat Washer	1		1-Jul-04
27	1933410	Bracket Front Rinse Tubing	1		1-Jul-04
28	1933413	Enclosure Quick Disconnect	1		1-Jul-04
29	4517930	Bushing	1		1-Jul-04
30	4517543	Spray Valve Assy W/10Ft Hose	1		1-Jul-04
31	1925411	Cover – Lower Front Trim	1		1-Jul-04
32*	8002107	Screws	7		1-Jul-04
33*	4517931	Instruction Rinse Hose Kit Installation			1-Jul-04

Rinse Water System Conversion Kits Available

35	4517927	Parts Kit Rinse Hose M+ (Standard Model) Parts Included 4,20,21,22,23,24,25,26,27,28,29,30,31,32			1-Jul-04
36	4517932	Parts Kit Rinse Hose M+ (Deep Model) Parts Included 4,20,21,22,23,24,25,26,27,28,29,30,31,32			1-Jul-04

* NOT ILLUSTRATED

RECOMMENDED STOCK PARTS



GARLAND PARTS IDENTIFICATION

Main Exterior

ITEM	PART #	DESCRIPTION	QUANTITY
1	1925301	Cover – Upper Trim	1
2	1920002	Cover – Main Top	1
3	1927602	Cover – Body Side, Left	1
4	1936999	Outer Vent Assembly	1
5	1921051	Cover Main Back, Standard Depth – Optional	1
	1921052	Cover Main Back, Deep – Optional	1
6	1918701	Cover – Body Side, Right	1
7	1931701	Cover – Right Control Panel	1
8	1931801	Cover – Control Panel Left	1
9	1925411	Cover – Lower Trim (Hose)	1
	1925412	Cover – Lower Trim (No Hose Option)	1
10	1927199	Leg – Caster	4
	1927197	Leg – Foot Insert	4
11	1927195	Leg – Double Deck	4
12	1236100	Foot Insert	4
13	1949701	Foot Insert – Flanged	4
14	1775102	Caster Insert	4
15	1926501	Caster – 4" (screw in)	2
	1926502	Caster – 4" with Brake (screw in)	2
16	1926521	Lo Profile Caster 3" (bolts to base)	2
	1926522	Lo Profile Caster with Brake 3" (bolts to base)	2
	1926531	Heavy Duty Caster 5" (bolts to base)	2
	1926532	Heavy Duty Caster with Brake 5" (bolts to base)	2
17	1926802	Bracket – Upper Support	1
18	1927002	Panel – Lower Support	1
19*	1927101	Bracket – Lower Support	4
20	1926902	Rack Guide	2

Stacking Kit Listed Below For Two Moisture + Ovens or Moisture + w/MCO Ovens

21*	1937521	Kit-Stack Electric SS Legs & Feet	
	1937525	Kit-Stack Electric Castes	
	1937527	Kit-Stack Electric Lo Profile	

* NOT ILLUSTRATED

RECOMMENDED STOCK PARTS

GARLAND PARTS IDENTIFICATION

Wire Diagram & Harness

PART #	DESCRIPTION	Model
1936004	Wire Diagram – 208/240V Electric	Deluxe
1936006	Wire Diagram – 460V Electric	Deluxe
1936014	Wire Diagram – 208/240V Electric	Standard
1936016	Wire Diagram – 460V Electric	Standard

1936074	Wire Harness – Door Switches	Standard
1936075	Wire Harness – Door Switches	Deluxe
1936076	Wire Harness – Relay Board to Control	Deluxe
1936079	Wire Harness – Lights	
1936084	Wire Harness – 460V Transformer	
1936085	Wire Harness – Electric Elements	
1936088	Wire Harness – Electric	Standard
1936089	Wire Harness – Electric	Deluxe

* NOT ILLUSTRATED

RECOMMENDED STOCK PARTS

GARLAND PARTS IDENTIFICATION

Revision History

REV. #	PAGE #	ITEM #	NOTE	DATE
10	9	17A,B	Part # deleted - was 1934101 & 1933002 Blower Wheel & Motor not available (Ass'y only)	Dec 15/03
	10		New Drawing - Item 10 added	
	11	10	New Part # added - 4517676	
11	8&9	18, 19	Probe Added	Nov 1/04
12	12		New Drawing – New Rinse Water System Added	Aug 5/05
	13	12 to 18	Obsoleted The Old Rinse Water System	
		20 to 36	New Rinse Water System Added	
	15	5	New Part Number – Was 1925101 & 1925102	
13	11	1B	Door Assembly (1932599) Deleted	Nov 5/05
		1	4 Kits Door Assembly Part Numbers Added	
		4	Item Number Split Into 4A & 4B	
			4A Date Added & 4B New Part Number	
	9	17	Part Number Changed – Was 1933098	
14	10		Drawing Updated	Dec 5/05
	11	6B	Part Number Added	
		7A	Part # Correction – Was 1925202	
		7B, 7C	Part Numbers Added	
		8B	Part Number Changed – Was 1955001	
15	8	20, 21	New Drawing	Jan 17/06
	9		New Part Number Added	

NOTES

NOTES

 **GARLAND**[®]