



FOOD EQUIPMENT

## Operating and Maintenance Instructions

Model: **6015-DP** Infra-red Bulb Warmer Carving Station 120V

### INTRODUCTION

1. Please read instructions before using this appliance.
2. When using electrical appliances, basic precautions should always be followed to reduce the risk of fire, electric shock and injury.
3. Clean machine thoroughly before and after all uses following cleaning instructions below.

### ELECTRICAL REQUIREMENTS

1. Plug warmer into a grounded outlet with correct voltage and sufficient power capacity. Refer to the product label (serial plate) on the warmer for voltage and wattage requirements.

### SAFETY INSTRUCTIONS

1. **Warning!** All power must be disconnected at power source before any service procedure is performed.
2. This appliance is hot when in use. To avoid burns, do not let bare skin touch hot surfaces. Keep combustible materials, such as drapes and other furnishings, away from appliance.
3. Extreme caution is necessary when any appliance is used by or near children and whenever the appliance is left unattended.
4. Always unplug appliance when not in use and before cleaning, adjusting or maintaining this machine. To disconnect appliance, turn controls off and remove plug from power source.
5. Do not operate any appliance with a damaged cord or plug, after the appliance malfunctions, has been dropped, or damaged. Return appliance to an authorized service facility for examination, electrical or mechanical adjustment, or repair.
6. Do not use outdoors. This appliance is not intended for use in wet or moist locations. Never locate appliance where it may fall into water.
7. Connect to properly grounded outlets only. Avoid the use of extension cords. Do not run cord under carpeting, runners, or the like. Arrange cord away from traffic area and where it will not be tripped over.
8. This appliance is equipped with a power cord with a three-blade plug. Plug ONLY into a matching three-blade outlet. DO NOT cut off the third blade or attempt to use with a two-blade extension cord.
9. To prevent a possible fire, it is recommended that the unit is placed on a non-combustible surface.
10. This appliance has electrical parts. Do not use it in areas where gasoline, paint, or flammable liquids are used or stored.

### PREPARATION

1. Position carving station at desired location near the power source.
2. Screw bulb into socket and adjust flexible neck.
3. If warmer fails to work properly when first operated call NEMCO customer service at 1-800-782-6761.

### OPERATION

1. Plug CORD into a grounded electrical outlet of the correct voltage. Electrical shock can occur if appliance is not grounded.
2. Place food products in a pan located directly under the BULB for best results.
3. Adjust FLEXIBLE STEM ASSEMBLY. Do not aim lamp in any direction other than the surface of the table on which the appliance is mounted. Maintain a distance of at least 13" between lamp and surface of table. Always maintain a distance of at least 5" between the hood and any wall.
4. Turn warmer off when not in use.
5. Unplug the warmer before changing BULB. To disconnect warmer, turn switch to off and remove plug from power source.

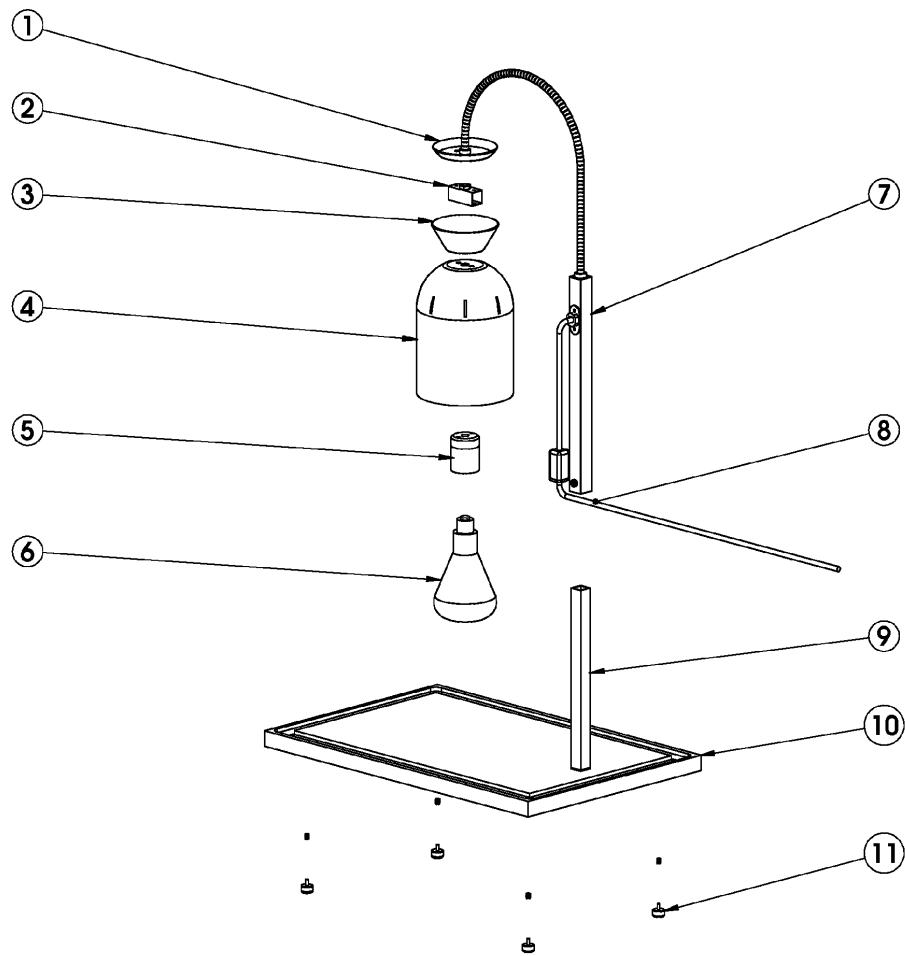
### CLEANING

**NOTE: Proper maintenance plays an important part in the life span and functioning of the warmer.**

1. Unplug the warmer before cleaning or changing bulbs.
2. This warmer can be cleaned with a damp sponge and mild soap. Do not immerse in water or other liquid.
3. To disassemble cutting board, remove screw on bottom side of board.

### TROUBLESHOOTING

Lights not On	Check if unit is plugged in and power switch turned to "ON" position
	Check power at receptacle
	Check if Bulb has blown
Loose Sockets	Turn off power and check if socket is loose or broken. Remove light bulb and tighten socket screws as necessary.
Loose Hoods	Turn off power and check if hood is loose. Remove light bulb and tighten hood screws as necessary
Unit Blows Fuse or Circuit Breaker	Check to make sure circuit is not overloaded.



ITEM NUMBER	PART NUMBER	DESCRIPTION	QTY
1	66231	HOOD CAP	1
2	66592-1	MOUNTING TUBE	1
3	66232	MINI HOOD	1
4	66007	HOOD	1
5	45372	SOCKET	1
6	45376	BULB	1
7	66214-1-A	TUBE STEM ASSEMBLY	1
8	46368	CORD	1
9	66661	POST WELDRIGHT	1
10	66381-DP	CARVING BOARD BASE	1
11	45955	FOOT	4