

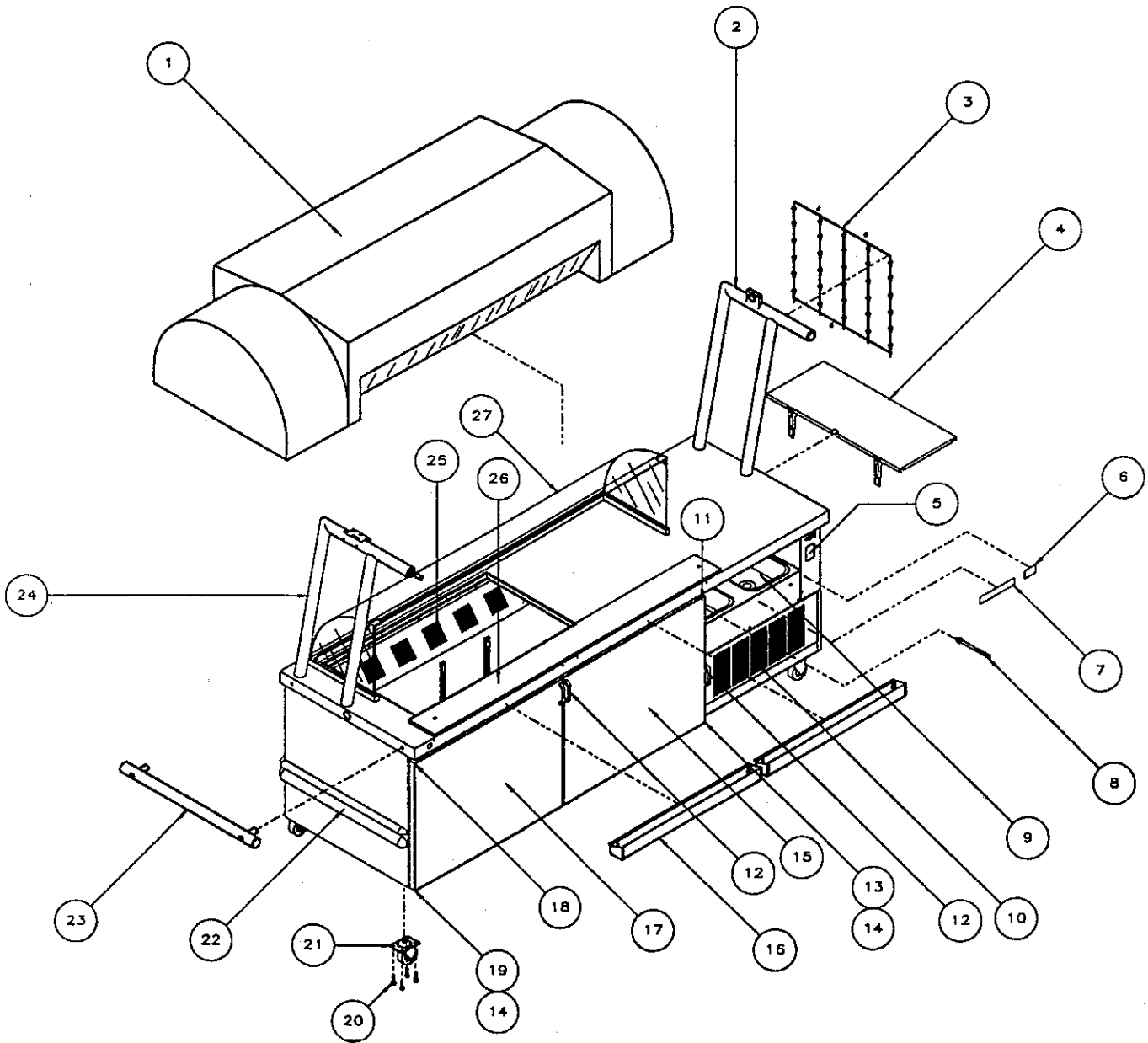
NORLAKE®

**SERVICE / PARTS MANUAL
MOBILE PREPARATION CART**

Nor-Lake, Incorporated
727 Second Street
P.O. Box 248
Hudson, Wisconsin 54016

800-388-5253 Parts/Service
800-955-5253 Sales
715-386-2323 Sales
715-386-6149 FAX

10/99

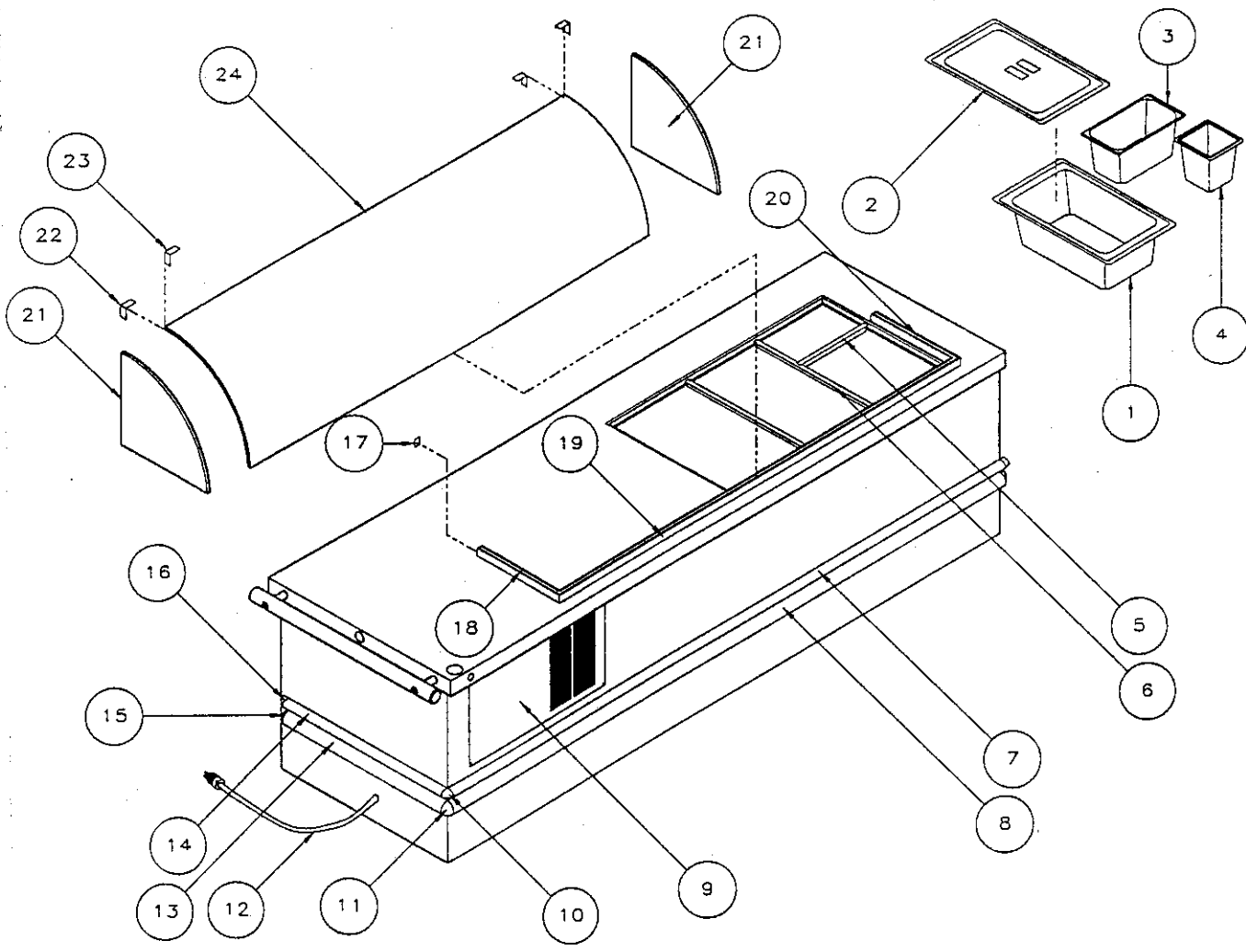


CABINET REAR VIEW (FIGURE 1)

CABINET REAR VIEW (FIGURE 1)

<u>ITEM#</u>	<u>DESCRIPTION</u>	<u>PART #</u>	<u>QTY.</u>	<u>PAGE#</u>
1	CANOPY ASSEMBLY	088428	1	6
2	UPRIGHT LEFT HAND	088427	1	1
3	CHIP RACK	085811	1	1
4	DROP SHELF ASSEMBLY	087769	1	1
5	CONTROL PANEL ASSEMBLY	088665	1	4
6	T-SHIRT BAG HOLDER	085664	1	1
7	SANDWICH BAG HOLDER	085665	1	1
8	HANDLE 3/8" DRIVE	088668	1	1
9	SINK ASSEMBLY	-	-	3
10	DOOR, LOUVERED	088936	1	1
11	PIVOT BRACKET	015130	1	1
12	PULL HANDLE	000680	3	1
13	CARTRIGE BRACKET	015125	1	1
14	CARTRIGE ASSY. W/ TAB & RISER	015124	1	1
15	DOOR RIGHT HAND	088470	1	1
16	CRUMB CATCHER	088426	2	1
17	DOOR LEFT HAND	088468	1	1
18	PIVOT BRACKET	015129	1	1
19	CARTRIGE BRACKET	015126	1	1
20	CASTERS	080801	4	1
21	BOLT, 3/8-16X2 3/4"	086092	16	1
22	BUMPERS	-	-	2
23	HANDLE	086085	1	1
24	UPRIGHT RIGHT HAND	088462	1	1
25	EVAPORATOR ASSEMBLY	-	-	5
26	CUTTING BOARD	088478	1	1
27	SNEEZE GUARD	-	-	2

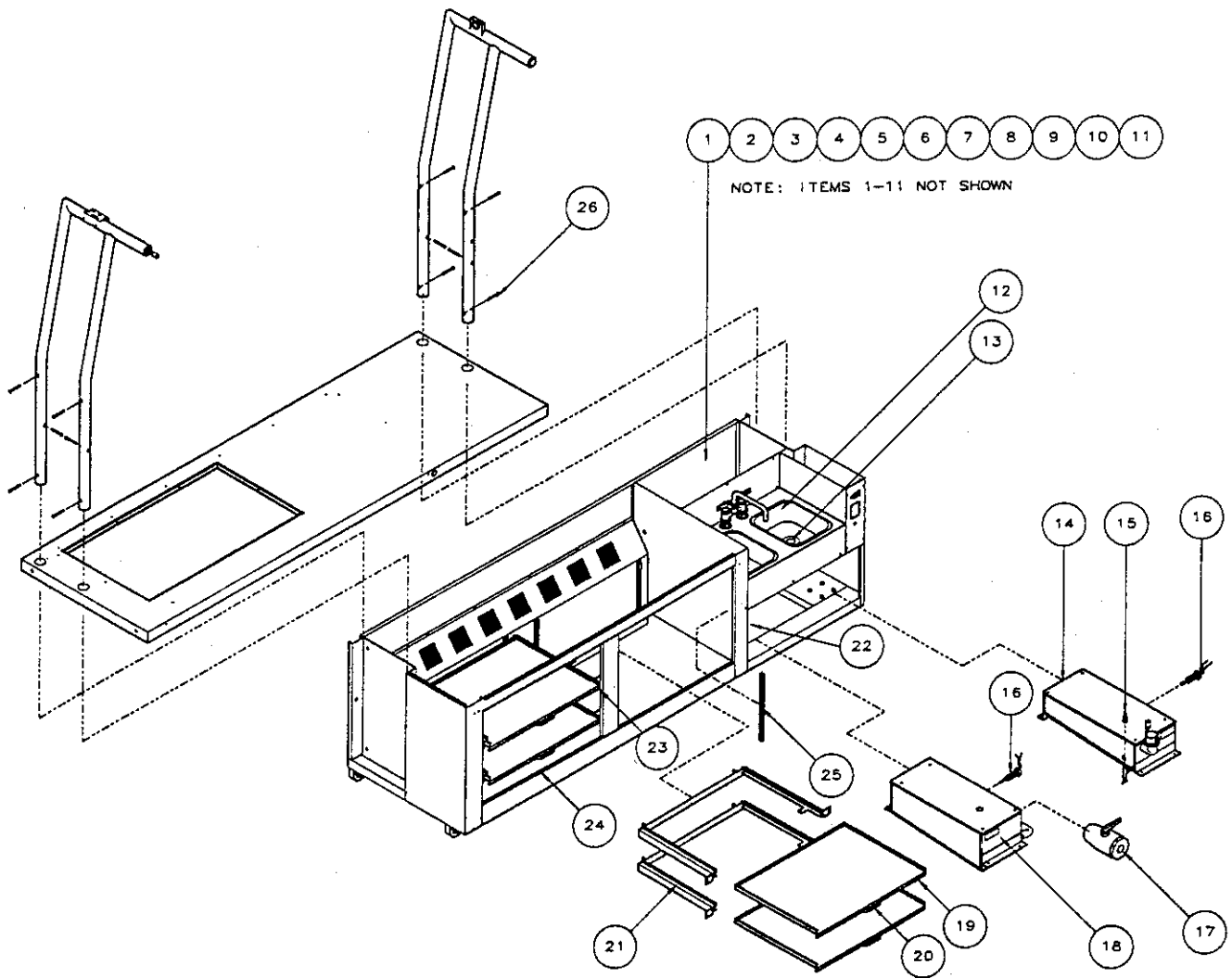
Remove
etc



CABINET FRONT VIEW (FIGURE 2)

CABINET FRONT VIEW (FIGURE 2)

<u>ITEM#</u>	<u>DESCRIPTION</u>	<u>PART #</u>	<u>QTY.</u>
1	PAN, FULL SIZE POLYCARBONATE	085337	1
2	PAN COVER, FULL SIZE POLYCARBONATE	085338	1
3	PAN, 1/3 SIZE POLYCARBONATE	000671	5
4	PAN, 1/6 SIZE POLYCARBONATE	000672	2
5	PAN SUPPORT, 12 7/8"	088746	1
6	PAN SUPPORT, 21"	088745	2
7	FRONT BUMPER (TOP), WHITE	088600	1
8	FRONT BUMPER (BOTTOM), BROWN	088652	1
9	LOUVER PANEL	088670	1
10	CORNER ADAPTER, WHITE	085701	2
11	CORNER ADAPTER, BROWN	085705	2
12	POWER CORD	088708	1
13	END BUMPER (BOTTOM), BROWN	088656	2
14	END BUMPER (TOP), WHITE	088654	2
15	END CAP, BROWN	085706	2
16	END CAP, WHITE	085702	2
17	EXTRUSION END CAP	085573	2
18	GLASS BASE (RIGHT)	088475	1
19	GLASS BASE (CENTER)	088474	1
20	GLASS BASE (LEFT)	088476	1
21	END GLASS	083845	2
22	INSIDE CORNER BRACKET	088526	2
23	OUTSIDE CORNER BRACKET	088252	2
24	CENTER GLASS	085235	1

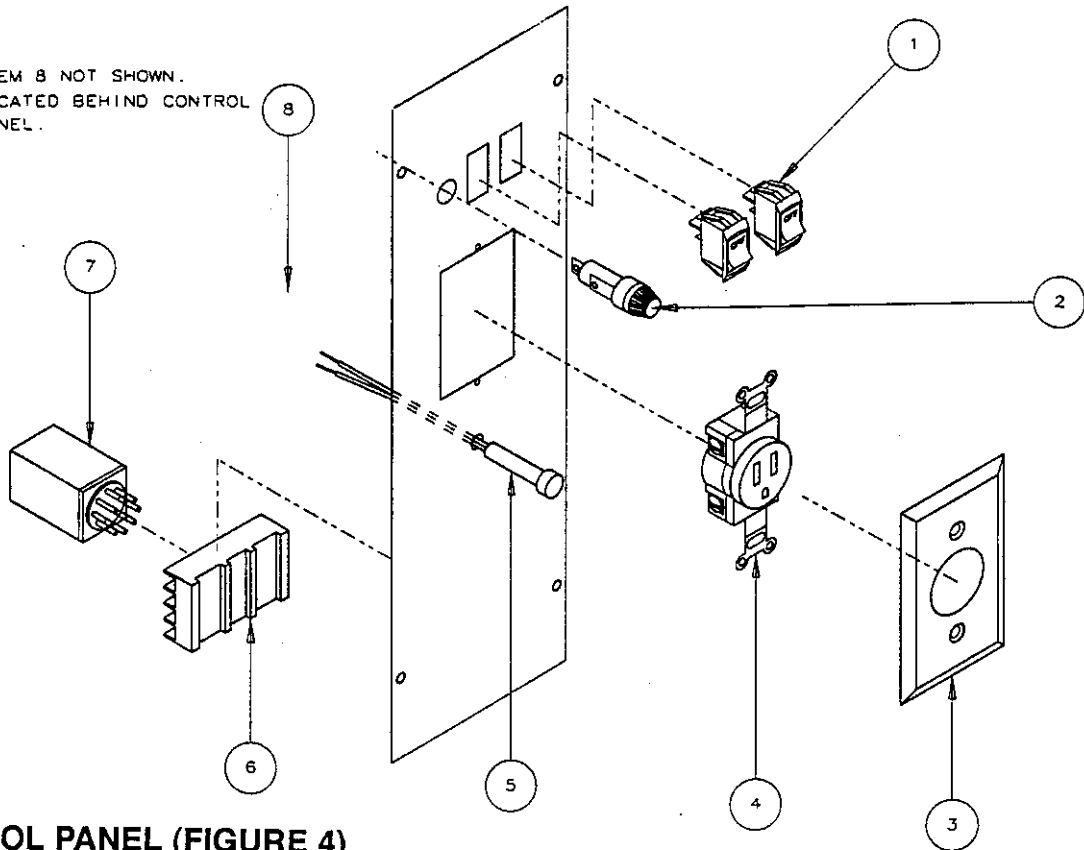


CABINET INTERIOR (FIGURE 3)

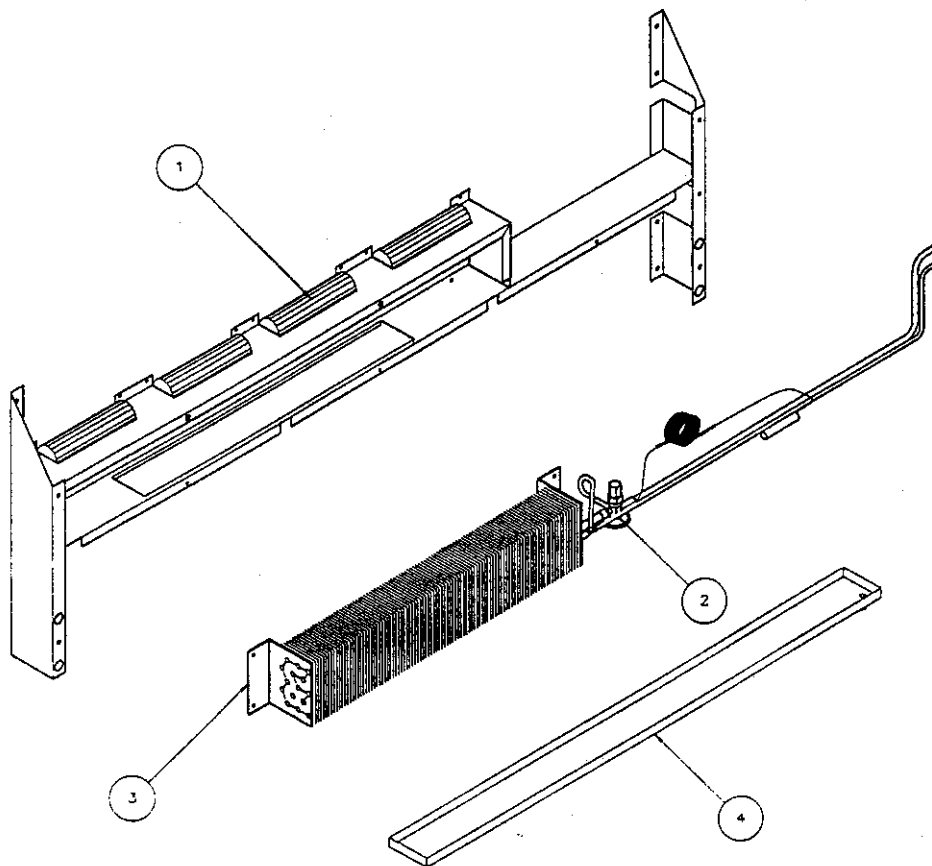
CABINET INTERIOR (FIGURE 3)

<u>ITEM#</u>	<u>DESCRIPTION</u>	<u>PART #</u>	<u>QTY.</u>
1	COMPRESSOR	087671	1
2	COMPRESSOR MOUNTING KIT	001522	1
3	CONDENSER COIL ASSEMBLY	088448	1
4	CONDENSER FAN ASSEMBLY	087750	1
5	SIGHT GLASS	001174	1
6	FILTER DRIER	001200	1
7	EXPANSION VALVE	087773	1
8	WATER PUMP	086084	1
9	CONDENSATE DRAIN PAN ASSEMBLY	088482	1
10	WATER HEATER	091187	1
11	TEMPERATURE CONTROL	001209	1
12	SINK	088599	2
13	DRAIN W/WASHER	020404	2
14	FRESH TANK ASSEMBLY	088592	1
15	HOSE BARB	091173	1
16	SWITCH	088742	2
17	VALVE, 1" NYLON	088664	1
18	WASTE WATER TANK ASSEMBLY	088593	1
19	DRAWER	088423	4
20	PULL HANDLE	000680	4
21	DRAWER SLIDE	088435	4
22	MAGNETIC CATCH	033036	2
23	BREAKER STRIP	091576	4
24	BREAKER STRIP	091577	4
25	SHELF STANDARD	087762	8
26	BOLT	088592	12

ITEM 8 NOT SHOWN.
LOCATED BEHIND CONTROL
PANEL.



CONTROL PANEL (FIGURE 4)



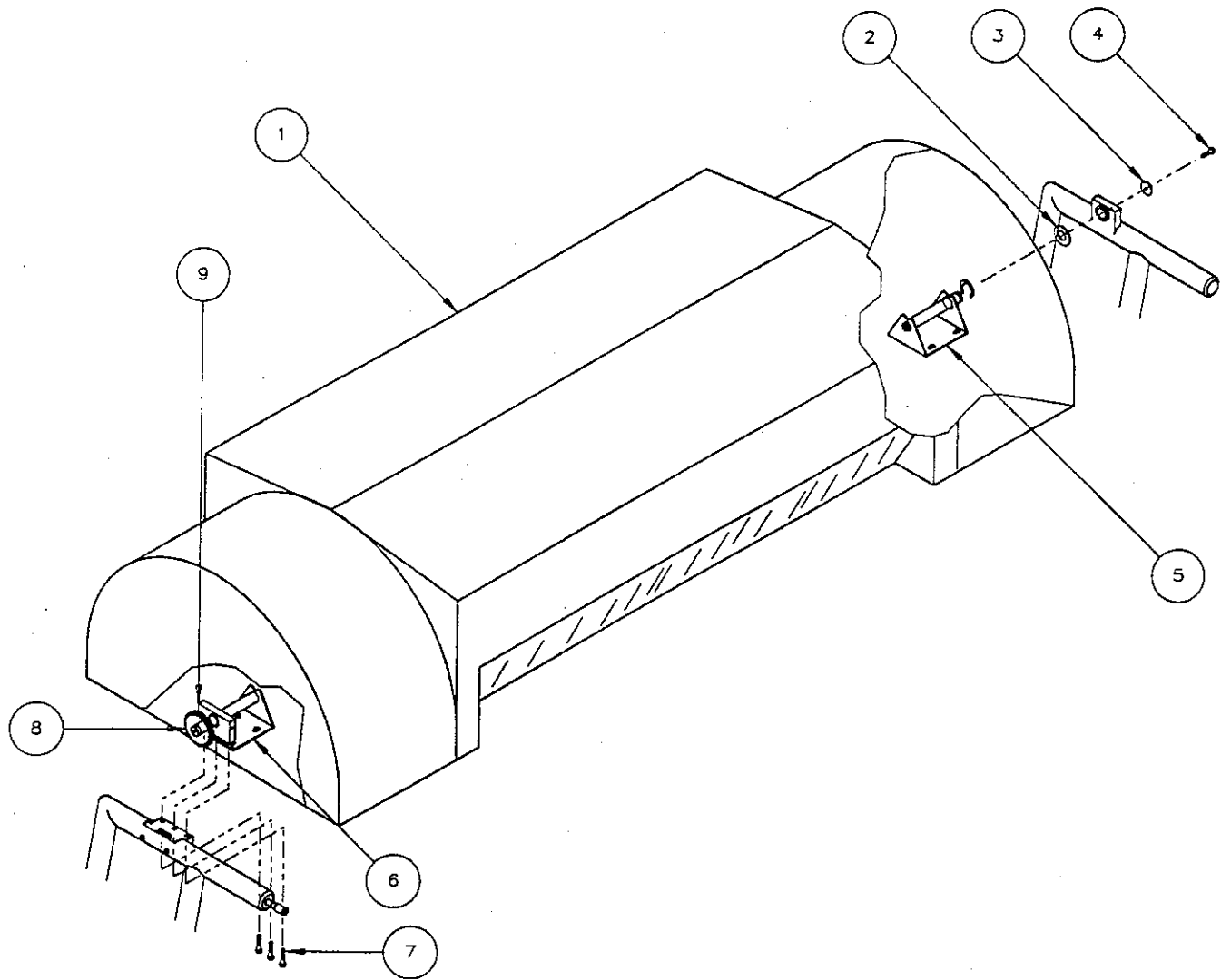
EVAPORATOR ASSEMBLY (FIGURE 5)

CONTROL PANEL (FIGURE 4)

<u>ITEM#</u>	<u>DESCRIPTION</u>	<u>PART #</u>	<u>QTY.</u>
1	ROCKER SWITCH	087850	2
2	FUSE HOLDER	093182	1
3	OUTLET COVER	086091	1
4	RECEPTACLE	002441	1
5	WATER SYSTEM LIGHT	070267	1
6	RELAY BASE	072557	1
7	RELAY	072558	1
8	TRANSFORMER	030824	1

EVAPORATOR ASSEMBLY (FIGURE 5)

<u>ITEM#</u>	<u>DESCRIPTION</u>	<u>PART #</u>	<u>QTY.</u>
1	TRANSFLOW BLOWER	088741	2
2	EXPANSION VALVE	087773	1
3	EVAPORATOR COIL	088456	1
4	DRAIN PAN	088482	1



CANOPY ASSEMBLY (FIGURE 6)

CANOPY ASSEMBLY (FIGURE 6)

<u>ITEM#</u>	<u>DESCRIPTION</u>	<u>PART #</u>	<u>QTY.</u>
1	CANOPY	088428	1
2	NYLON WASHER	091601	1
3	FENDER WASHER	091602	1
4	BOLT 5/16-18 X 5/8"	091178	1
5	PIVOT BRACKET ASSEMBLY L.H.	088433	1
6	PIVOT BRACKET ASSEMBLY R.H.	088432	1
7	SCREW	002224	3
8	GEAR	086317	1
9	PIVOT BLOCK ASSEMBLY	088431	1

200
C

○

○