

Spare parts catalogue

Coffee mach. Aguila AG220/US



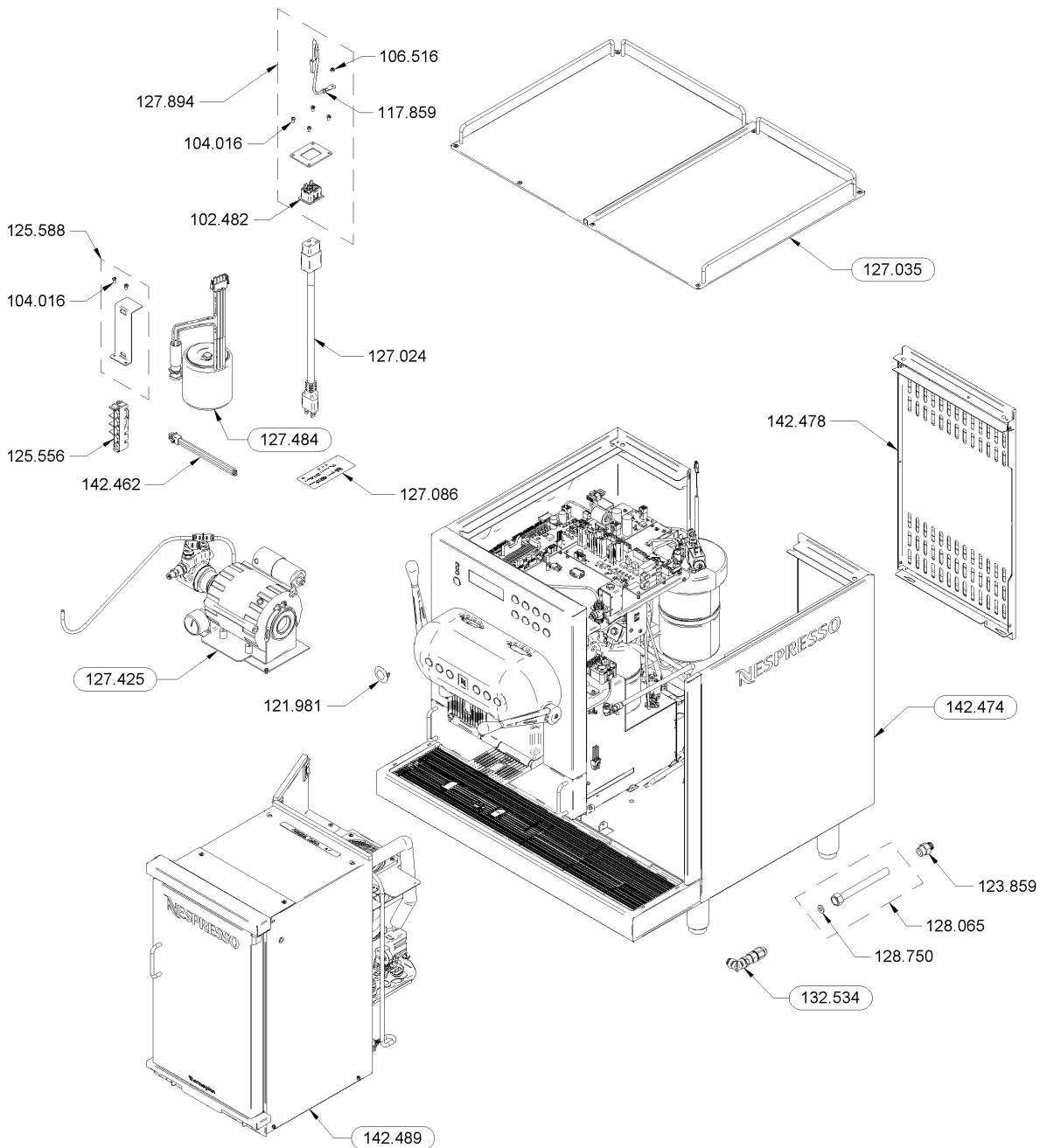
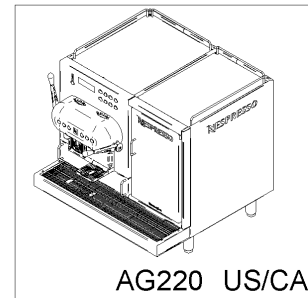
Content

1 Coffee mach. Aguila AG220/US.....	4
1.1 Transformer 208V->115V 200VA set.....	6
1.2 Cup tray 208V assy. AG220.....	8
1.3 Water pump and motor set.....	10
1.4 Water supply assy.....	12
1.5 Basis AG220 US	14
1.5.1 Frame-Floor board set AG220	16
1.5.1.1 Solenoid valve 2/2 assy.	18
1.5.2 Machine unit AG220 US.....	20
1.5.2.1 Base of machinemodul Halcon assy.	22
1.5.2.1.1 B2B Horeca left assy.....	24
1.5.2.1.2 B2B BU Horeca right assy.	26
1.5.2.1.3 Coffee Boiler left assy.	28
1.5.2.1.3.1 Solenoid valve 3/2, \varnothing 1.1, small NFC....	30
1.5.2.1.4 Coffee Boiler, assy.	32
1.5.2.1.4.1 Solenoid valve 3/2, \varnothing 1.1, small NFC....	34
1.5.2.1.5 Flowmeter \varnothing 4-1/4, \varnothing 1.15, set.....	36
1.5.2.1.6 Diaphragm valve 2/2, \varnothing 2.0, small, assy. .	38
1.5.2.2 Middle support, assy. Halcon	40
1.5.2.2.1 Milk Pump assy.	42
1.5.2.2.1.1 Milk Pump set.....	44
1.5.2.2.1.1.1 Milk Pump inox with motor assy.....	46
1.5.2.2.1.2 Cleaning block with pressreg. assy.....	48
1.5.2.2.1.3 Connection RB to WP with T-con. assy.	50
1.5.2.2.2 Milk Tea/Boiler, 230V assy.....	52
1.5.2.2.2.1 Solenoid valve 2/2, \varnothing 1.1, small NFC....	54
1.5.2.2.3 Diaphragm valve Hyd.Mod BW2v2/BW3	56
1.5.2.3 Support valve assy. AG220.....	58
1.5.2.3.1 Solenoid valve 3/2, \varnothing 1.4, small set	60
1.5.2.3.2 Diaphragm valve Hyd.Mod BW2v2/BW3	62
1.5.2.4 Top support assy. AG220 US	64
1.5.2.4.1 Diaphragm valve Hyd.Mod BW2v2/BW3	66
1.5.2.5 Front assy. Halcon	68
1.5.2.5.1 Keys with display, set.....	70
1.5.2.5.2 Doublehead, assy.	72
1.5.3 Grounds drawer assy.	74
1.5.4 Drip tray Halcon	76
1.6 Refrigerator 115V set AG220.....	78
1.6.1 RF-Box assy. AG220	80
1.6.1.1 Cleaning System v3 Milkway assy. Aguila .	82

1 Coffee mach. Aguila AG220/US

Article no.	Description	Quantity
102.482	Plug 16A, 6.3x0.8mm	1.0
104.016	Oval head Phillips combi screw M4x8	4.0
104.016	Oval head Phillips combi screw M4x8	2.0
106.516	Lock nut M4	1.0
117.859	Grounding cable 180mm	1.0
121.981	Stop-cap HEYCO 22-25.5	1.0
123.859	Adapter G3/8 BSPP - 9/16 UNEF	1.0
125.556	Terminal 5P with copper bridges	1.0
125.588	Attachment sheet terminal box set	1.0
127.024	Cord set C19 NEMA 6-20	1.0
127.035	Cup tray 208V assy. AG220	1.0
127.086	Sticker "Caution electric shock"	1.0
127.425	Water pump and motor set	1.0
127.484	Transformer 208V->115V 200VA set	1.0
127.894	Support electricpower C20 set	1.0
128.065	Reinfor. water hose, coated 3/8-3/8, 2m	2.0
128.750	Seal for stainless steel braided pipe	2.0
132.534	Water supply assy.	1.0
142.462	Wiring harness 1Ph AG220	1.0
142.474	Basis AG220 US	1.0
142.478	Rear wall Refrigerator assy. AG220	1.0
142.489	Refrigerator 115V set AG220	1.0

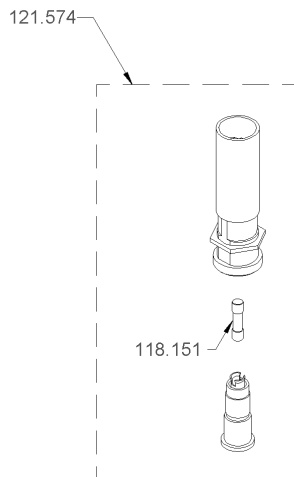
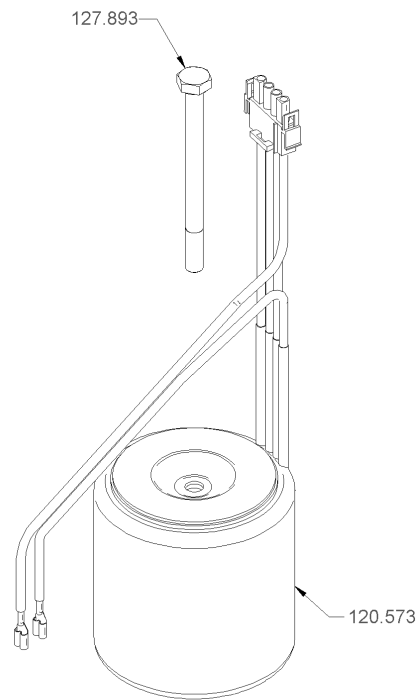
1 Coffee mach. Aguila AG220/US



1.1 Transformer 208V->115V 200VA set

Article no.	Description	Quantity
118.151	Fuse T4A H250V 5x20mm	1.0
120.573	Transformer 208V-> 115V 200VA kpl.	1.0
121.574	Fuse holder FUL 4A assy.	1.0
127.893	Hexagon head cup screw M8x100	1.0

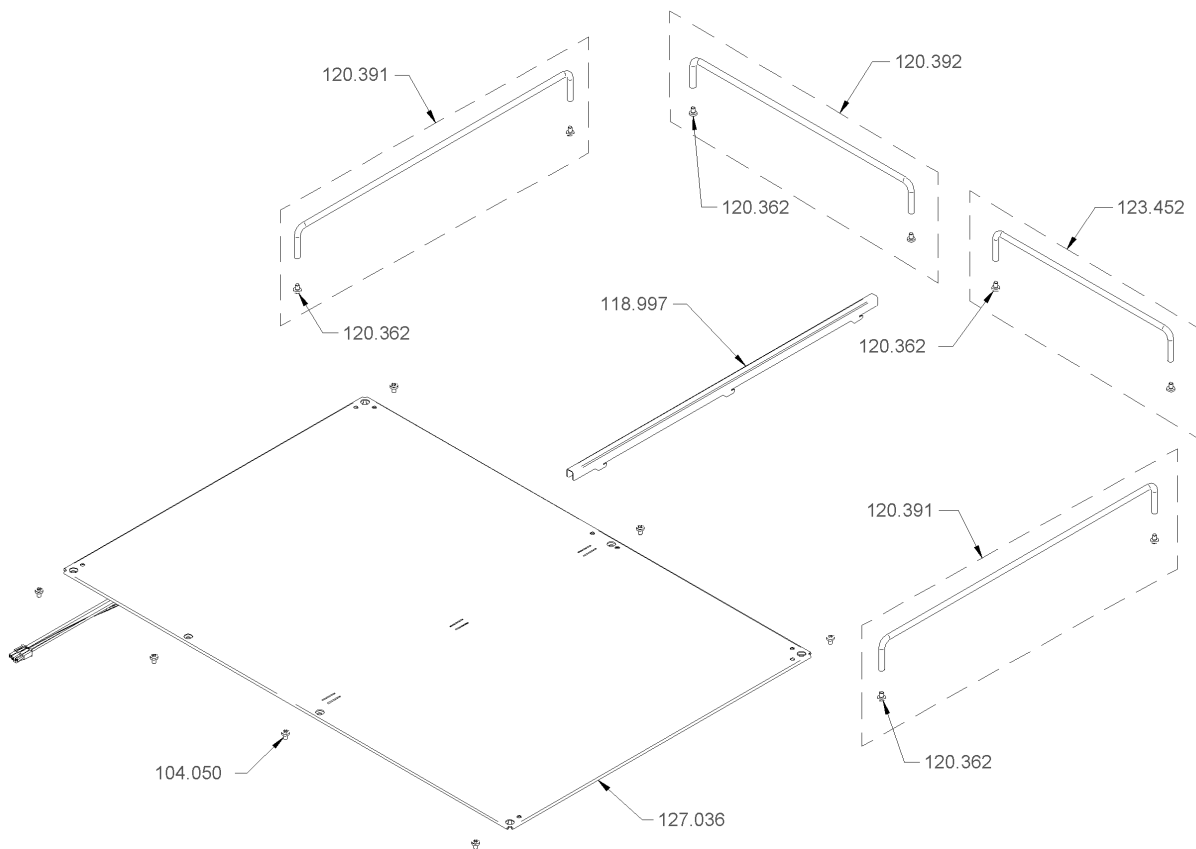
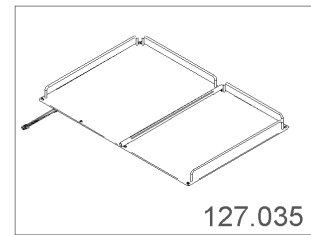
1.1 Transformer 208V->115V 200VA set



1.2 Cup tray 208V assy. AG220

Article no.	Description	Quantity
104.050	Oval head screw Phillips H M4x6	7.0
118.997	Partition profile	1.0
120.362	Oval head screw M4x6 Tuflok	2.0
120.362	Oval head screw M4x6 Tuflok	2.0
120.362	Oval head screw M4x6 Tuflok	2.0
120.391	Cups holding clamp long set	2.0
120.392	Cups holding clamp short set	1.0
123.452	Cups holding clamp behind set	1.0
127.036	Cup tray sheet with cup heating UL AG220	1.0

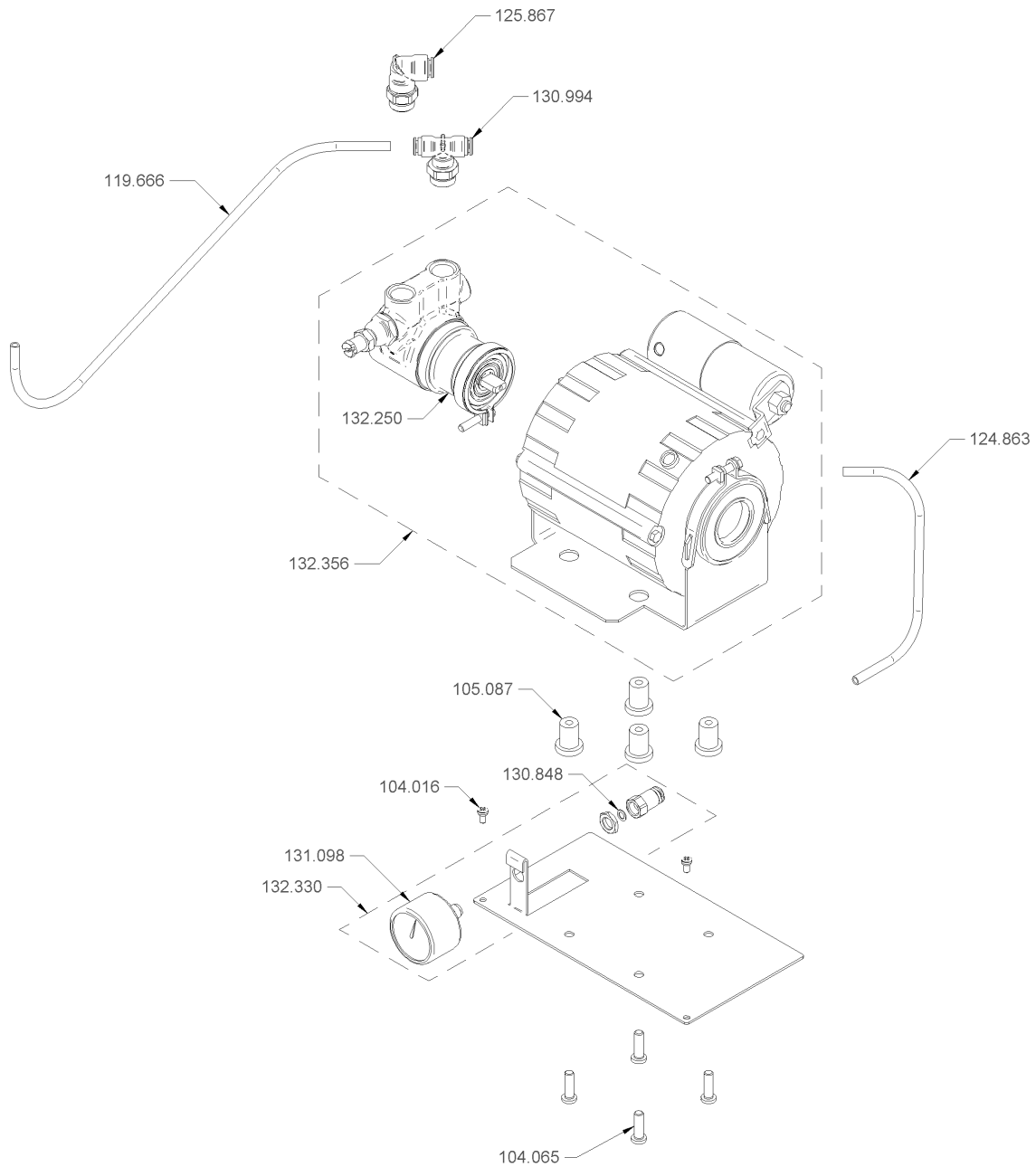
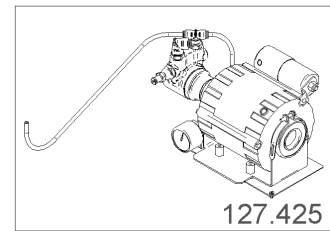
1.2 Cup tray 208V assy. AG220



1.3 Water pump and motor set

Article no.	Description	Quantity
104.016	Oval head Phillips combi screw M4x8	2.0
104.065	Oval head screw Phillips M6x18	4.0
105.087	Buffer M6	4.0
119.666	FEP pipe ø6/4 x 550mm	1.0
124.863	FEP pipe ø6/4 x 210mm	1.0
125.867	Elbow connector 8-3/8	1.0
130.848	Gasket ø8/5 x 0.5	1.0
130.994	T-fitting 6-3/8	1.0
131.098	Manometer INOX with adjustment 0-16 bar	1.0
132.250	Water pump	1.0
132.330	Pressure gauge inox 16 bar assy.	1.0
132.356	Water pump with motor	1.0

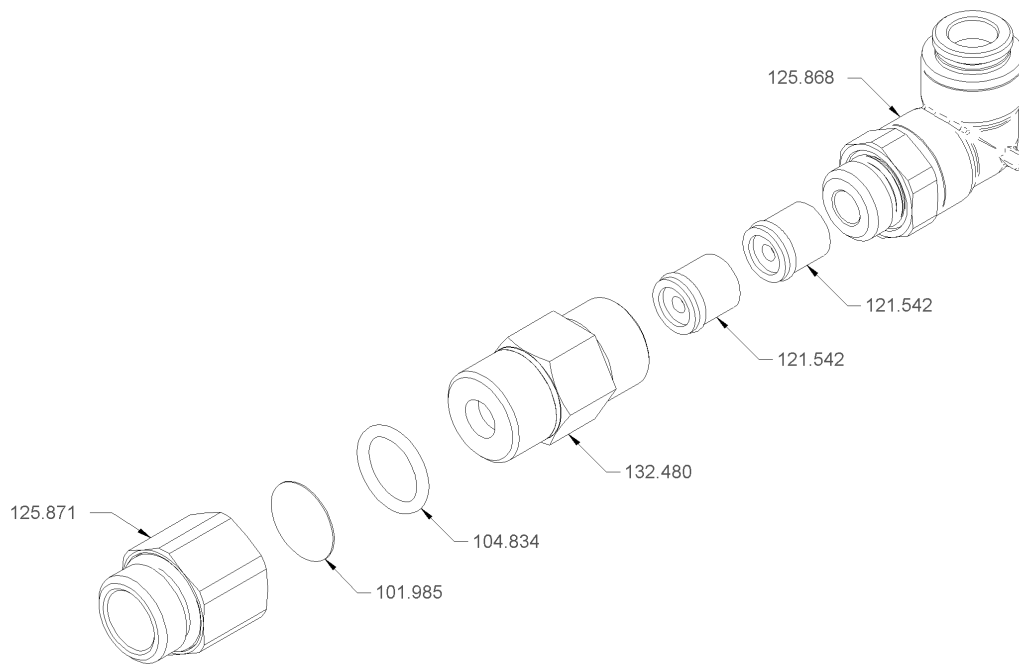
1.3 Water pump and motor set



1.4 Water supply assy.

Article no.	Description	Quantity
101.985	Filter water 3/8"	1.0
104.834	O-Ring 12.00x2.00 NBR 70.5/P5F	1.0
121.542	RV-Patrone DW10	2.0
125.868	Elbow connector 8-1/4	1.0
125.871	Reduction nipple 3/8-3/8	1.0
132.480	Reducer fitting 3/8x1/4 NFC	1.0

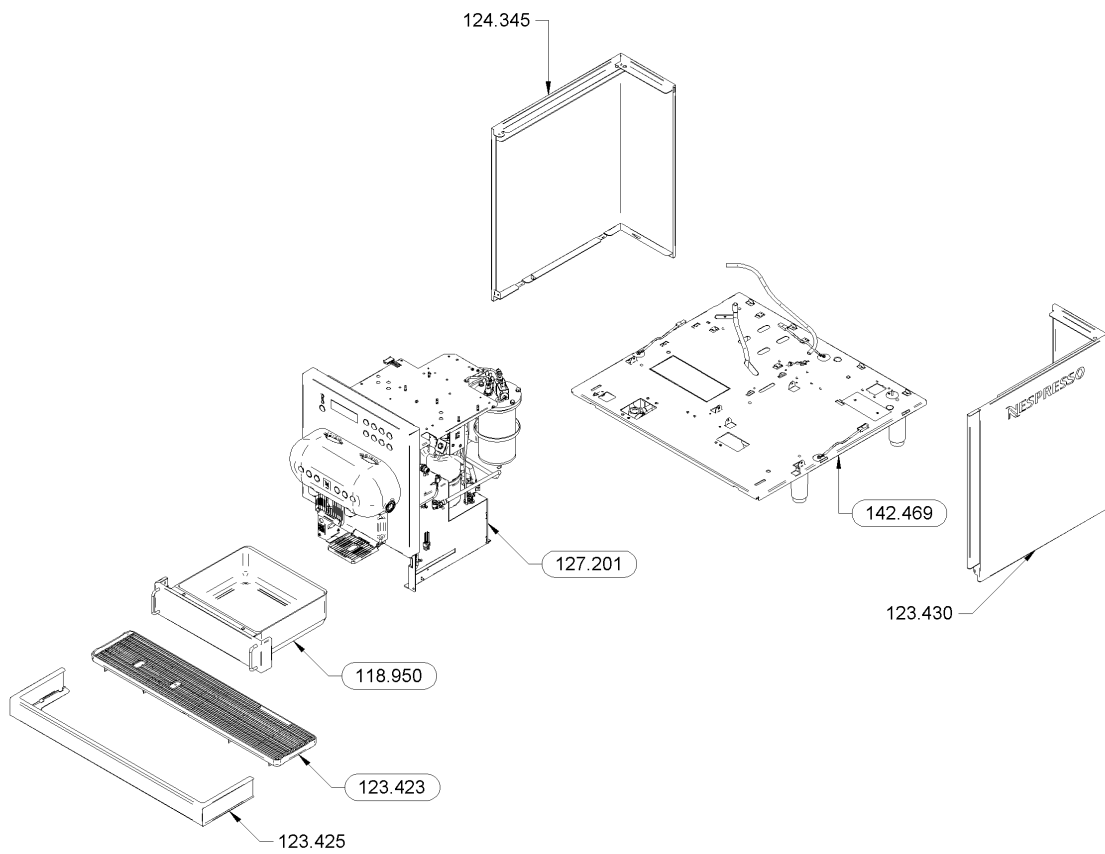
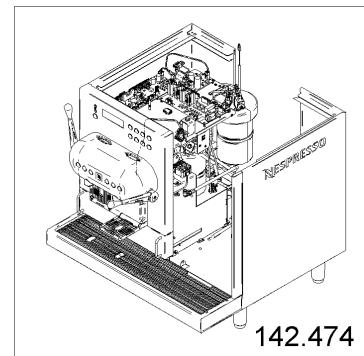
1.4 Water supply assy.



1.5 Basis AG220 US

Article no.	Description	Quantity
118.950	Grounds drawer assy.	1.0
123.423	Drip tray Halcon	1.0
123.425	Frame front assy. drip tray AG220	1.0
123.430	Outer sheet right assy. AG220	1.0
124.345	Outer sheet left assy. AG220	1.0
127.201	Machine unit AG220 US	1.0
142.469	Frame-Floor board set AG220	1.0

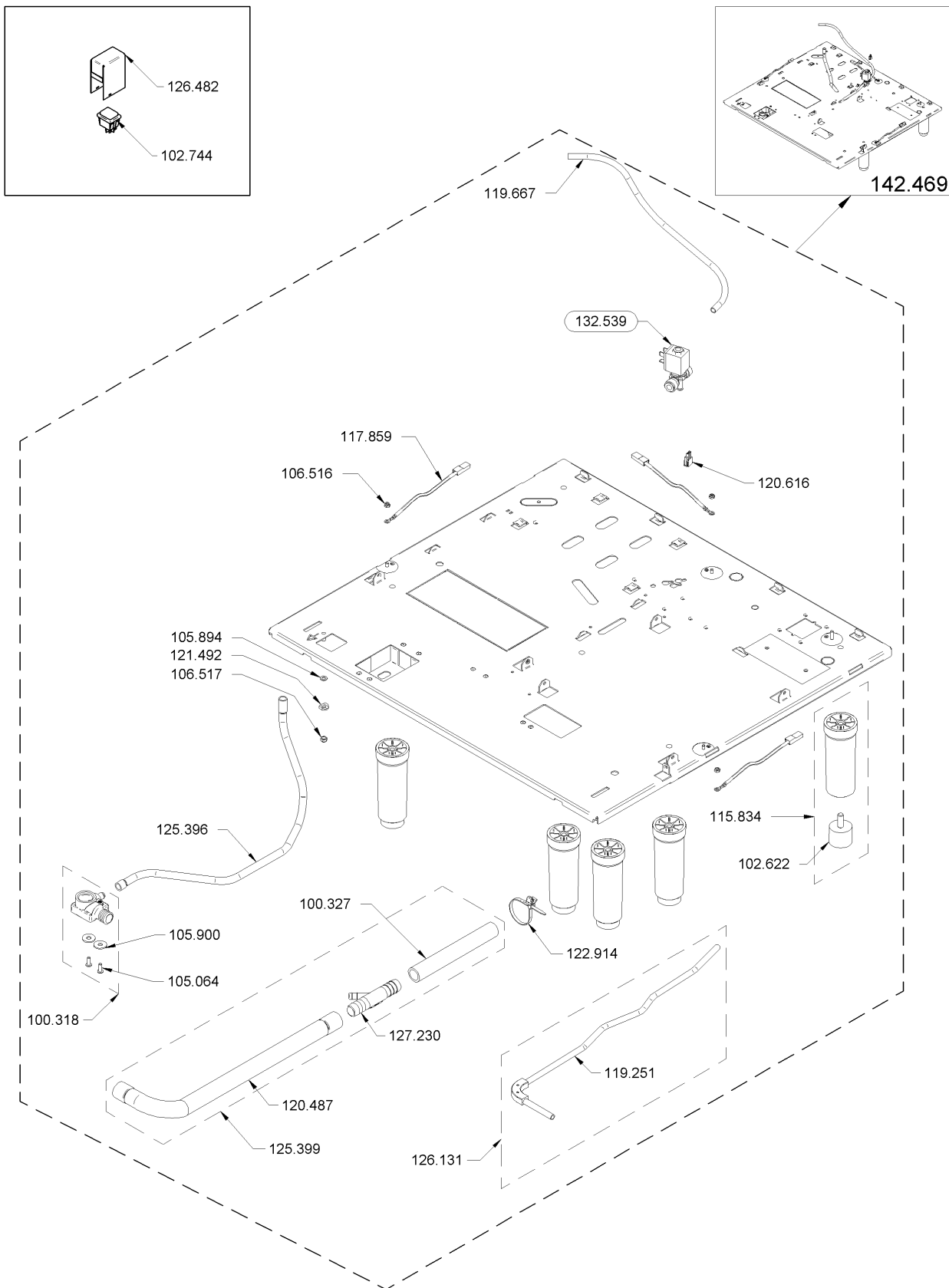
1.5 Basis AG220 US



1.5.1 Frame-Floor board set AG220

Article no.	Description	Quantity
100.318	Drain connection, assembly	1.0
100.327	Drain pipe 2.5m	1.0
102.622	Rundbuffer ø30x17/M8x20	1.0
102.744	Main power switch	1.0
105.064	Oval head PT screw w. washer Phi KA40x12	2.0
105.894	Washer M5	1.0
105.900	Flat washer M6	2.0
106.516	Lock nut M4	3.0
106.517	Lock nut M5	1.0
115.834	Frame leg NSF assy.	5.0
117.859	Grounding cable 180mm	3.0
119.251	Pipe FEP ø8/6 x 480mm	1.0
119.667	FEP pipe ø8/6 x 360mm	1.0
120.487	Drain tube 0.4m	2.0
120.616	Wiring harness water inlet valve	1.0
121.492	Retaining washer M5	1.0
122.914	Cable tie with clip 165mm	1.0
125.396	Silicone hose ø10/7 x 500mm	1.0
125.399	Drain pipe set AG220	1.0
126.131	FEP-tube set	1.0
126.482	Switch cover	1.0
127.230	Expiration fitting	1.0
132.539	Solenoid valve 2/2 assy.	1.0

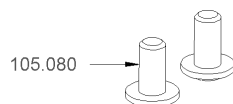
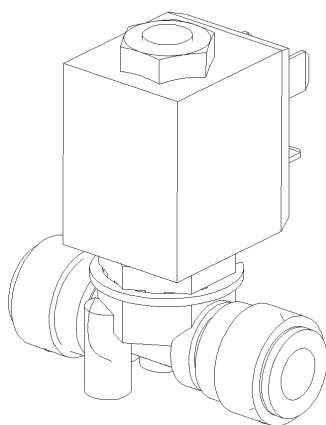
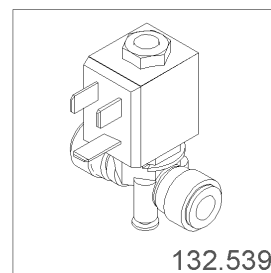
1.5.1 Frame-Floor board set AG220



1.5.1.1 Solenoid valve 2/2 assy.

Article no.	Description	Quantity
105.080	PT Phillips screw KA40 x 08	2.0

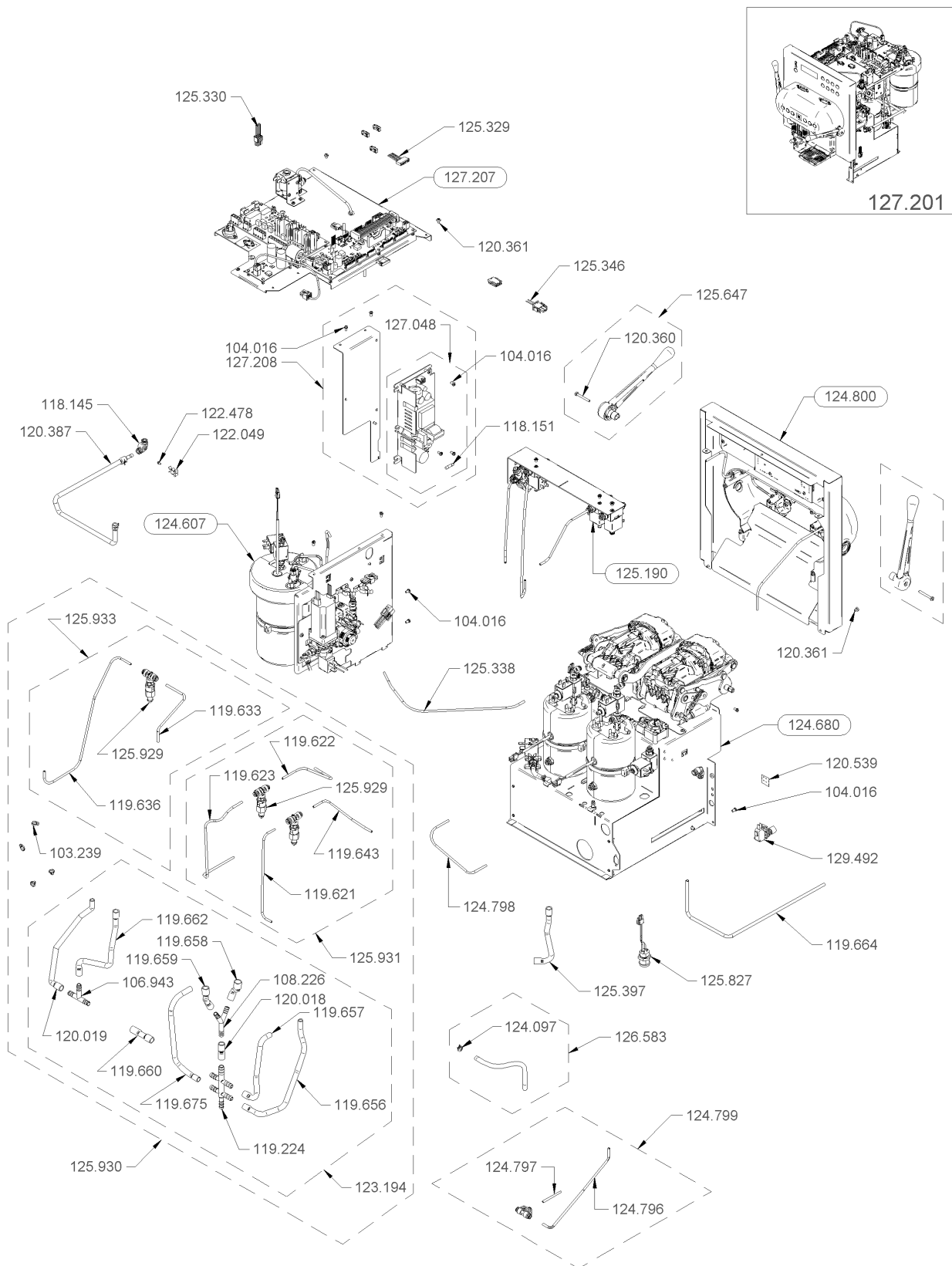
1.5.1.1 Solenoid valve 2/2 assy.



1.5.2 Machine unit AG220 US

Article no.	Description	Quantity	Article no.	Description	Quantity
103.239	Binding with fixing (large white)	4.0	126.583	Air intake milk foam kit AG220	1.0
104.016	Oval head Phillips combi screw M4x8	3.0	127.048	Switching power supply set UL	1.0
104.016	Oval head Phillips combi screw M4x8	2.0	127.207	Top support assy. AG220 US	1.0
104.016	Oval head Phillips combi screw M4x8	8.0	127.208	Power supply plate assy. AG220 US	1.0
106.943	T-connector PP, 10	1.0	129.492	Push button M10x1	1.0
108.226	Y-branch connection ø8	1.0			
118.145	Angle plug connection 6-6 PVDF	1.0			
118.151	Fuse T4A H250V 5x20mm	1.0			
119.224	Distributor 6x	1.0			
119.621	FEP pipe ø4/2 x 250mm	1.0			
119.622	FEP pipe ø4/2 x 260mm	1.0			
119.623	FEP pipe ø4/2 x 380mm	1.0			
119.633	FEP pipe ø4/2 x 160mm	1.0			
119.636	FEP pipe ø4/2 x 410mm	1.0			
119.643	FEP hose ø4/2 x 180mm	1.0			
119.656	Silicone hose ø10/7 x 280mm	1.0			
119.657	Silicone hose ø10/7 x 220mm	1.0			
119.658	Silicone hose ø10/7 x 50mm	1.0			
119.659	Silicone hose ø10/7 x 70mm	1.0			
119.660	Silicone hose ø10/7 x 60mm	1.0			
119.662	Silicone hose ø10/7 x 165mm	1.0			
119.664	FEP pipe ø6/4 x 370mm	1.0			
119.675	Silicone hose ø10/7 x 240mm	1.0			
120.018	Silicone hose ø13/7 x 70mm	1.0			
120.019	Silicone hose ø10/7 x 220mm	1.0			
120.360	Oval head screw M4x35 Tuflok	1.0			
120.361	Oval head screw M4x6 Tuflok	4.0			
120.387	Milk pressure tube Machine unit I. set	1.0			
120.539	Sticker "Power Button"	1.0			
122.049	Tool clip 80-10-2.5	1.0			
122.478	Phillips screw M2.5x06	1.0			
123.194	Piping set preassembly kpl.	1.0			
124.097	Clip for silicone hose ø9.6mm	1.0			
124.607	Middle support, assy. Halcon	1.0			
124.680	Base of machinemodul Halcon assy.	1.0			
124.796	FEP pipe ø4/2 x 270mm	1.0			
124.797	FEP pipe ø4/2 x 50mm	1.0			
124.798	FEP pipe ø4/2 x 250mm	1.0			
124.799	Tea tube set	1.0			
124.800	Front assy. Halcon	1.0			
125.190	Support valve assy. AG220	1.0			
125.329	Wiring harness signals AG220	1.0			
125.330	Wiring harness module 230V AG220	1.0			
125.338	Pipe FEP ø4/2 x 350mm	1.0			
125.346	Wiring harness cup heater	1.0			
125.397	Silicone hose ø10/7 x 220mm	1.0			
125.647	Lever Zamak set	2.0			
125.827	Key switch with connector	1.0			
125.929	Pressure control valve 16.5 bar set	2.0			
125.929	Pressure control valve 16.5 bar set	1.0			
125.930	Piping set distributor sixfold assy.	1.0			
125.931	Piping set check valve	1.0			
125.933	Piping set check valve	1.0			

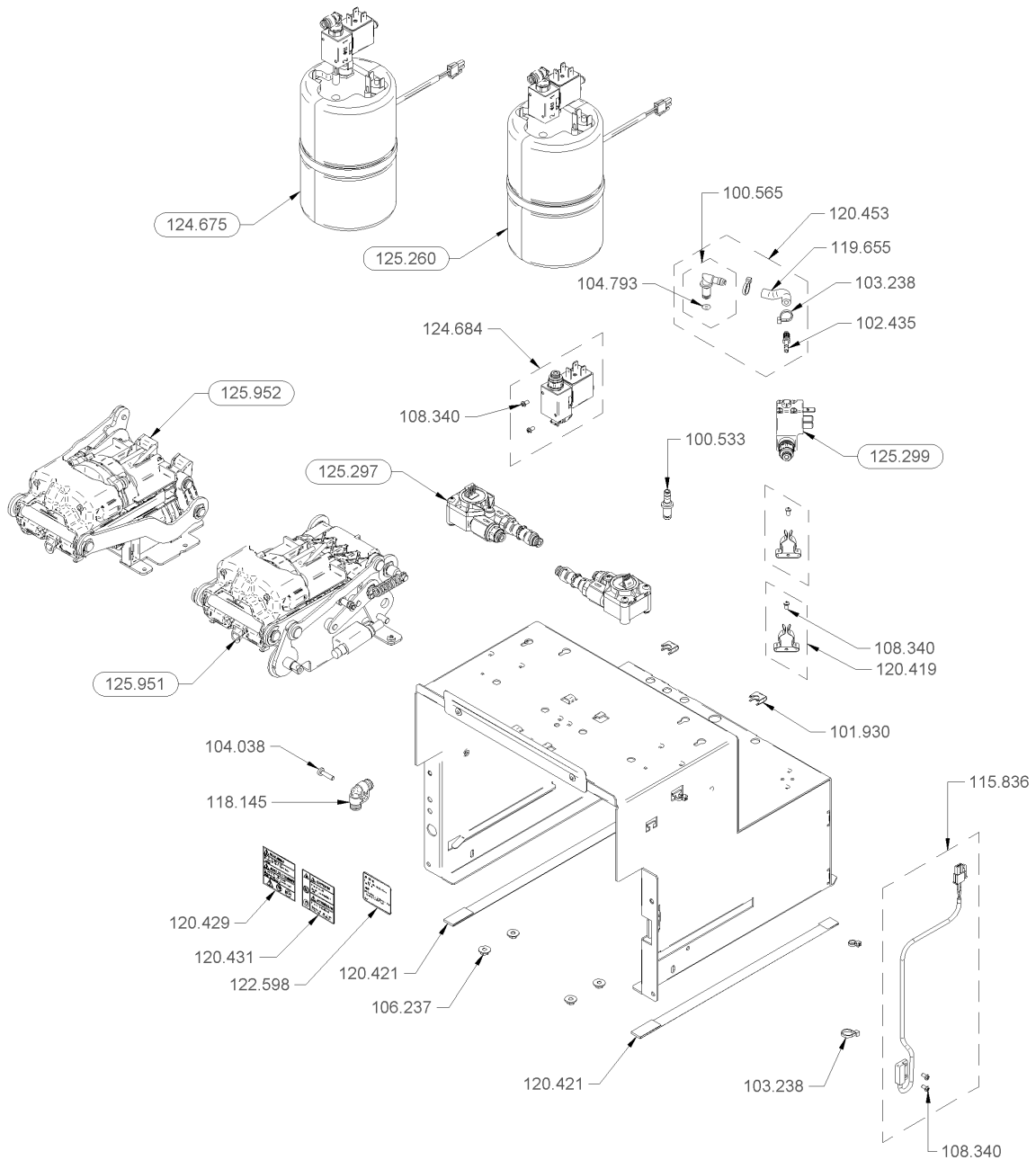
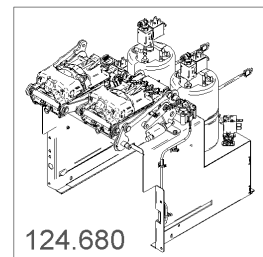
1.5.2 Machine unit AG220 US



1.5.2.1 Base of machinemodul Halcon assy.

Article no.	Description	Quantity
100.533	Connection nipple straight	1.0
100.565	Angle connection, assembly	1.0
101.930	Spring clip	1.0
102.435	Straight connection ø4	1.0
103.238	Cable tie 85/22	3.0
103.238	Cable tie 85/22	2.0
104.038	Oval head screw Phillips M4x16	1.0
104.793	O-Ring 5.00x1.50 MVQ	1.0
106.237	Hexagonal nut M4 kombi	4.0
108.340	Socket head screw M3x6 Phillips	2.0
108.340	Socket head screw M3x6 Phillips	1.0
108.340	Socket head screw M3x6 Phillips	2.0
115.836	Reed switch with screws	1.0
118.145	Angle plug connection 6-6 PVDF	1.0
119.655	Silicone hose ø8.5/4 x 50mm	1.0
120.419	Tool clip ø16-19 set	2.0
120.421	Slide tape 13x 325mm	2.0
120.429	Label "Electric shock hazard"	1.0
120.431	Label "Burn hazard"	1.0
120.453	Piping set drain valve	1.0
122.598	Sticker pump Aguila	1.0
124.675	Coffee Boiler left assy.	1.0
124.684	Solenoid valve 2/2, ø1.1, small set	1.0
125.260	Coffee Boiler, assy.	1.0
125.297	Flowmeter ø4-1/4, ø1.15, set	2.0
125.299	Diaphragm valve 2/2, ø2.0, small, assy.	1.0
125.951	B2B BU Horeca right assy.	1.0
125.952	B2B Horeca left assy.	1.0

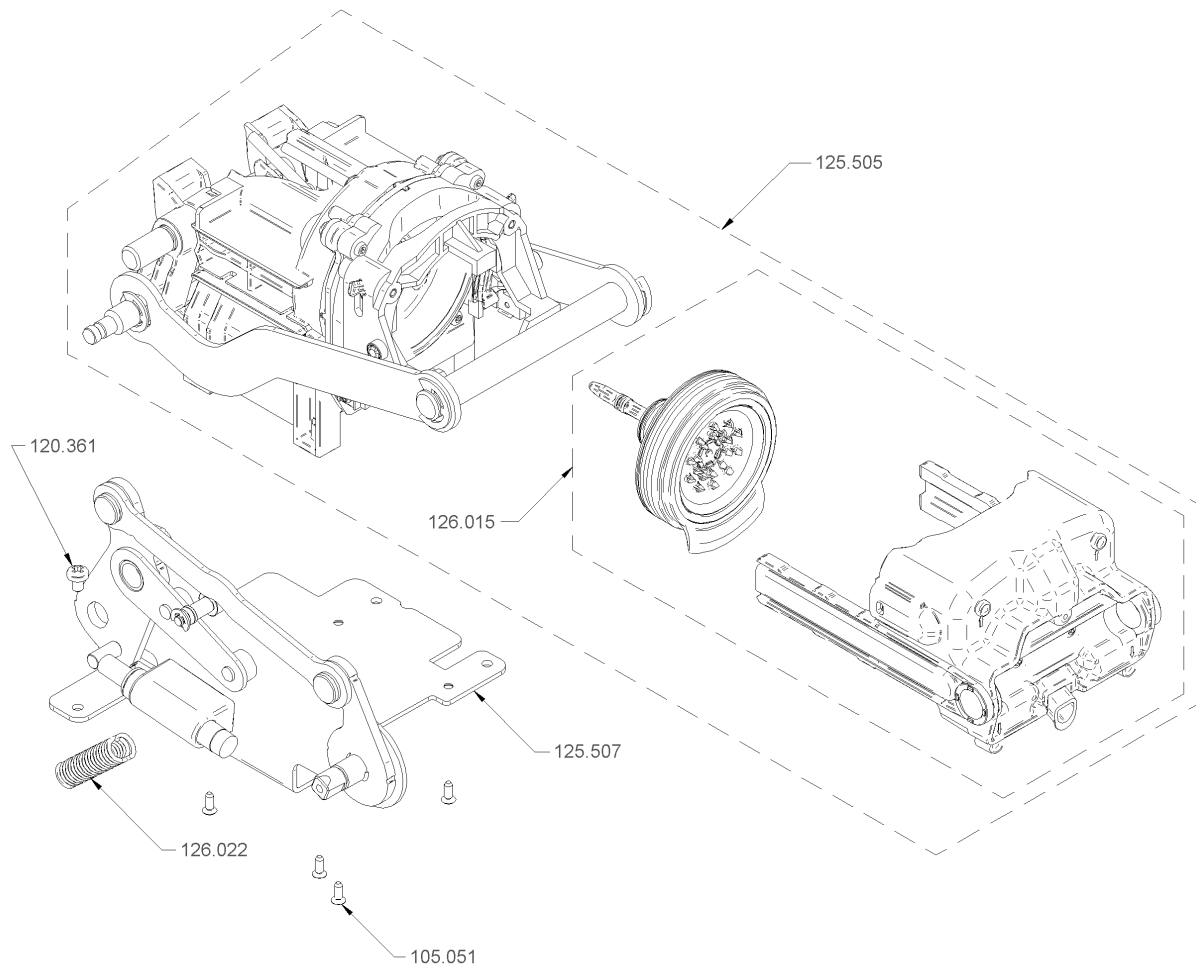
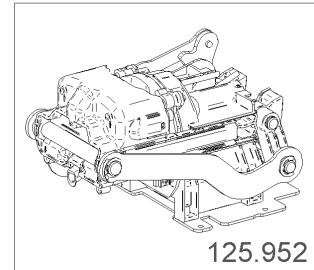
1.5.2.1 Base of machinemodul Halcon assy.



1.5.2.1.1 B2B Horeca left assy.

Article no.	Description	Quantity
105.051	Countersunk PT screw Phillips KA30x8	4.0
120.361	Oval head screw M4x6 Tuflok	1.0
125.505	B2B BU Horeca left	1.0
125.507	Lagerträgerblech kpl. links Horeca	1.0
126.015	BU Maintenance Kit	1.0
126.022	Spring for BU Horeca	1.0

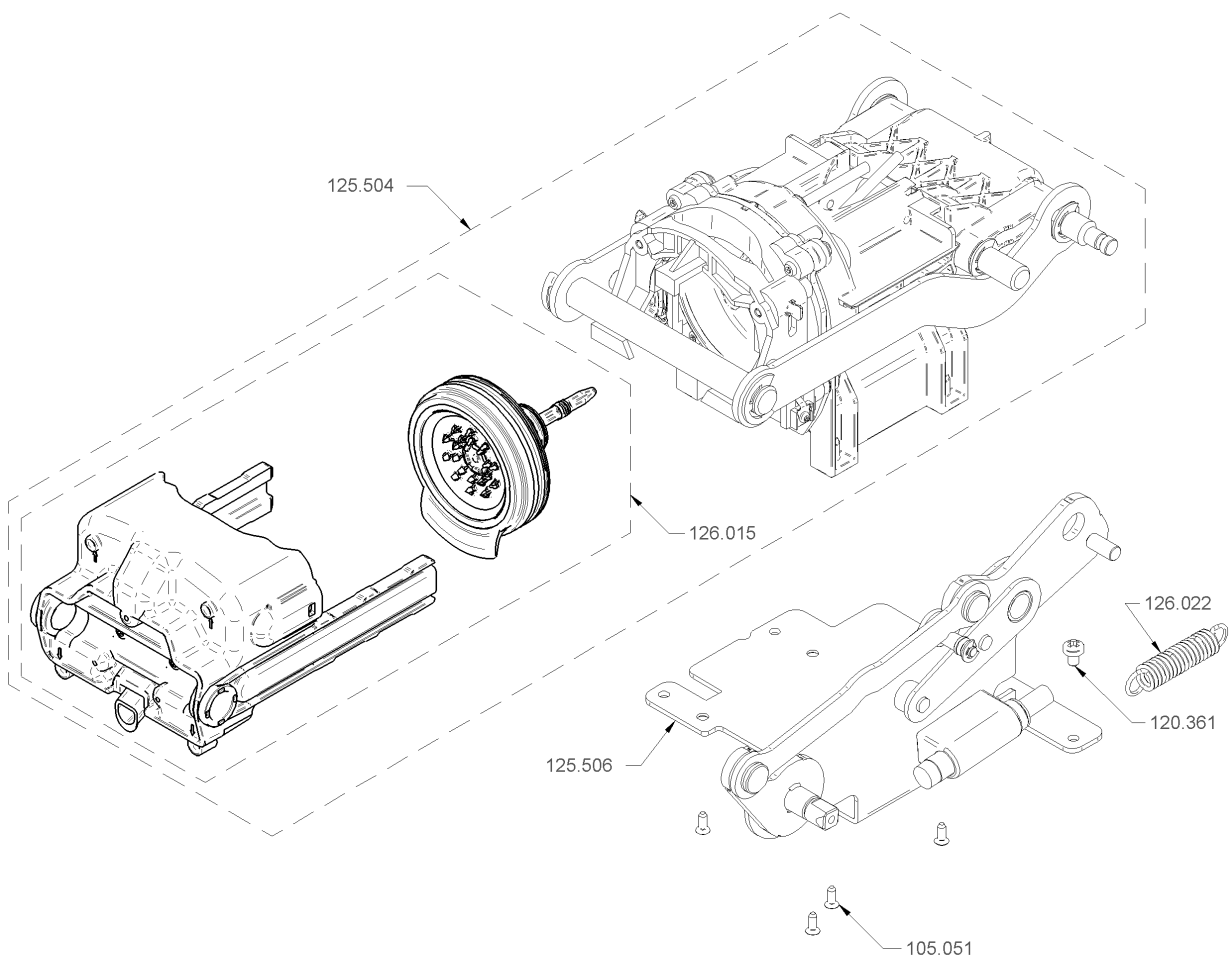
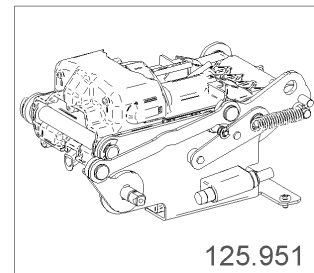
1.5.2.1.1 B2B Horeca left assy.



1.5.2.1.2 B2B BU Horeca right assy.

Article no.	Description	Quantity
105.051	Countersunk PT screw Phillips KA30x8	4.0
120.361	Oval head screw M4x6 Tuflok	1.0
125.504	B2B BU Horeca right	1.0
125.506	Bearing carrier sheet assy. right Horeca	1.0
126.015	BU Maintenance Kit	1.0
126.022	Spring for BU Horeca	1.0

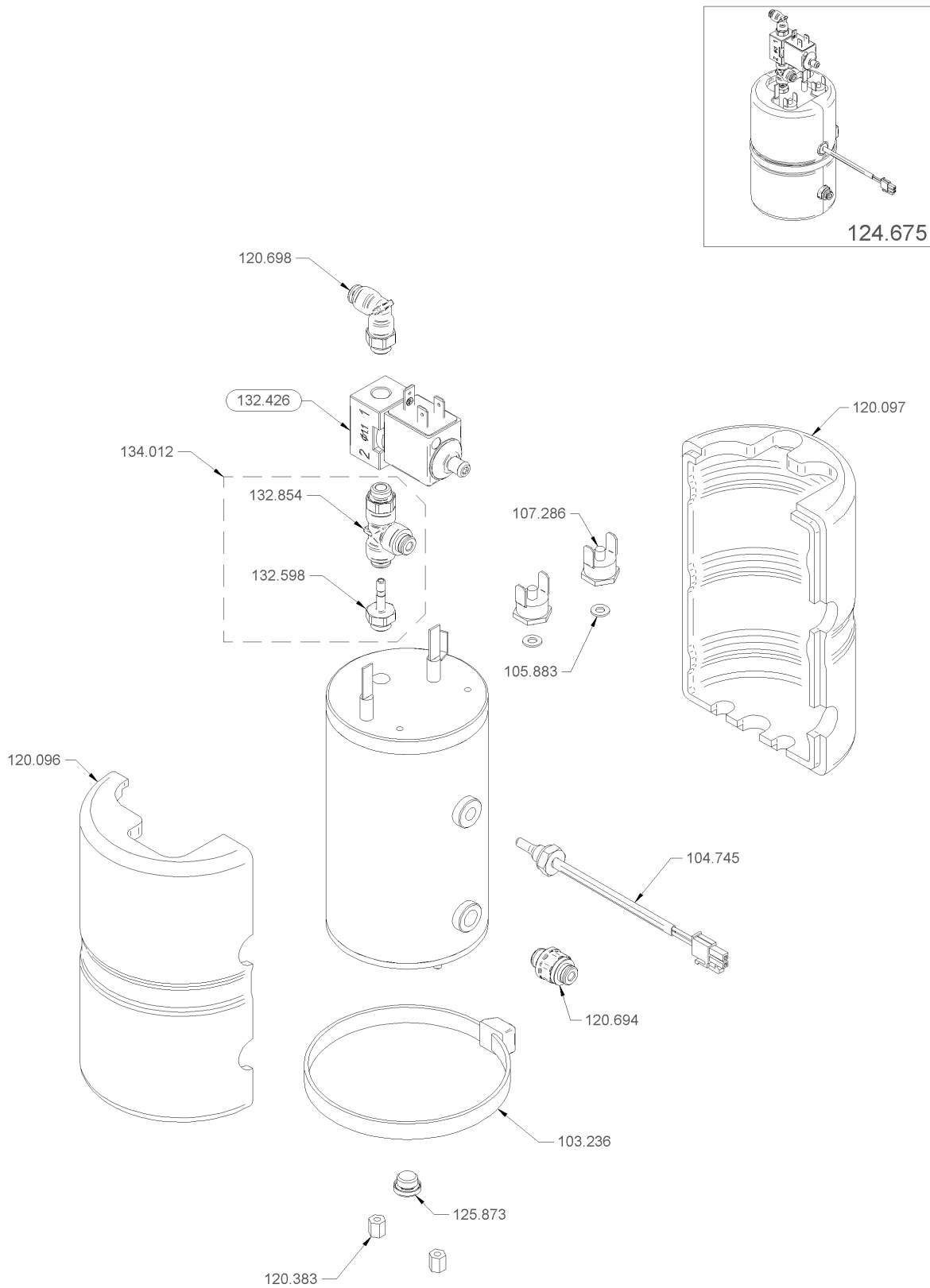
1.5.2.1.2 B2B BU Horeca right assy.



1.5.2.1.3 Coffee Boiler left assy.

Article no.	Description	Quantity
103.236	Cable tie 530x8.9	1.0
104.745	NTC sensor for boiler, assembly	1.0
105.883	Flat washer M4	2.0
107.286	Thermal security 125°C HM	2.0
120.096	Isolating coffee boiler left	1.0
120.097	Isolating coffee boiler right	1.0
120.383	Hexagonal spacer M4x8	2.0
120.694	Straight connector 4-1/8	1.0
120.698	Elbow connector 4-1/8	1.0
125.873	Drain plug G1/8	1.0
132.426	Solenoid valve 3/2, ø1.1, small NFC	1.0
132.598	Straight screwed coupling 4-1/8	1.0
132.854	L-connector ø4-1/8	1.0
134.012	L-connector set	1.0

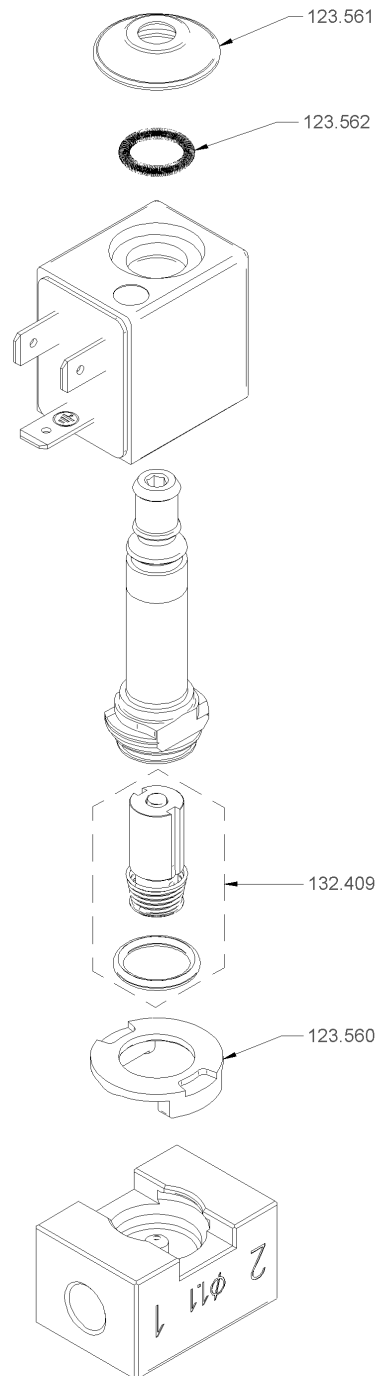
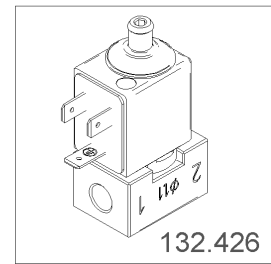
1.5.2.1.3 Coffee Boiler left assy.



1.5.2.1.3.1 Solenoid valve 3/2, ø1.1, small NFC

Article no.	Description	Quantity
123.560	Supporting ring	1.0
123.561	Protection cap	1.0
123.562	Spring to magnet valve	1.0
132.409	Plunger kit 3/2 NFC	1.0

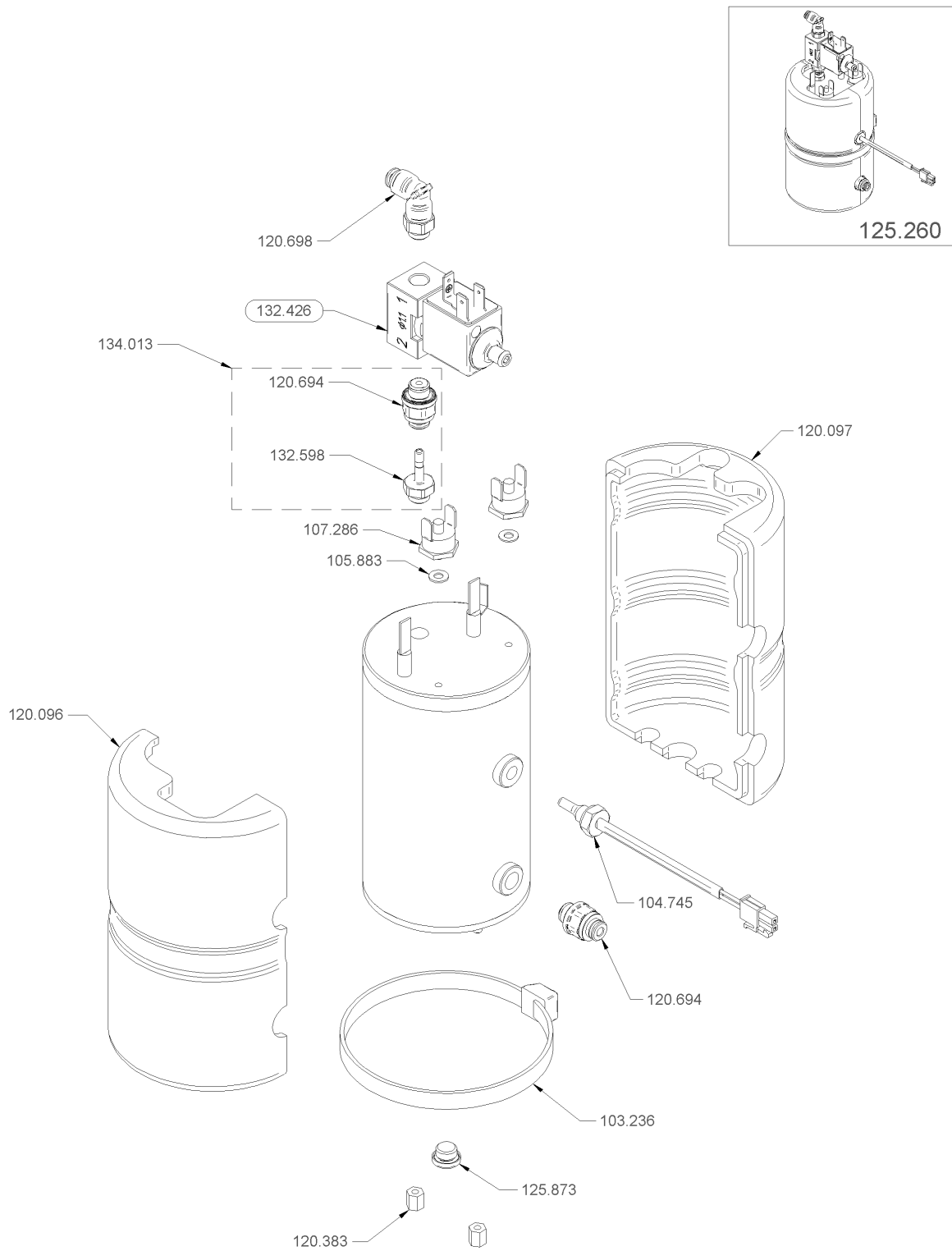
1.5.2.1.3.1 Solenoid valve 3/2, $\phi 1.1$, small NFC



1.5.2.1.4 Coffee Boiler, assy.

Article no.	Description	Quantity
103.236	Cable tie 530x8.9	1.0
104.745	NTC sensor for boiler, assembly	1.0
105.883	Flat washer M4	2.0
107.286	Thermal security 125°C HM	2.0
120.096	Isolating coffee boiler left	1.0
120.097	Isolating coffee boiler right	1.0
120.383	Hexagonal spacer M4x8	2.0
120.694	Straight connector 4-1/8	1.0
120.698	Elbow connector 4-1/8	1.0
125.873	Drain plug G1/8	1.0
132.426	Solenoid valve 3/2, ø1.1, small NFC	1.0
132.598	Straight screwed coupling 4-1/8	1.0
134.013	Straight connector set	1.0

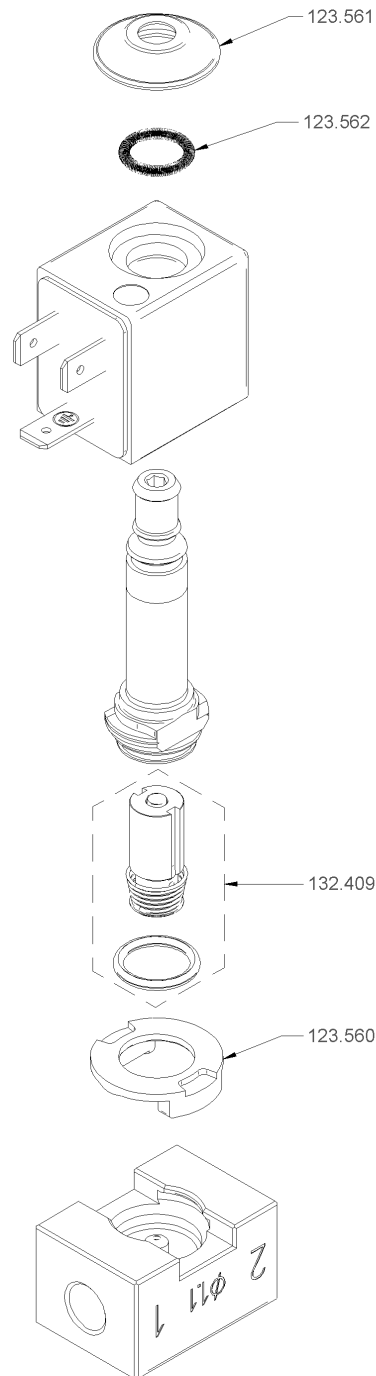
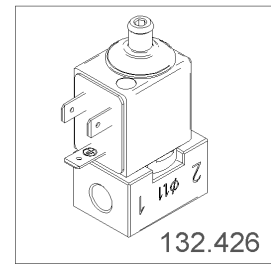
1.5.2.1.4 Coffee Boiler, assy.



1.5.2.1.4.1 Solenoid valve 3/2, ø1.1, small NFC

Article no.	Description	Quantity
123.560	Supporting ring	1.0
123.561	Protection cap	1.0
123.562	Spring to magnet valve	1.0
132.409	Plunger kit 3/2 NFC	1.0

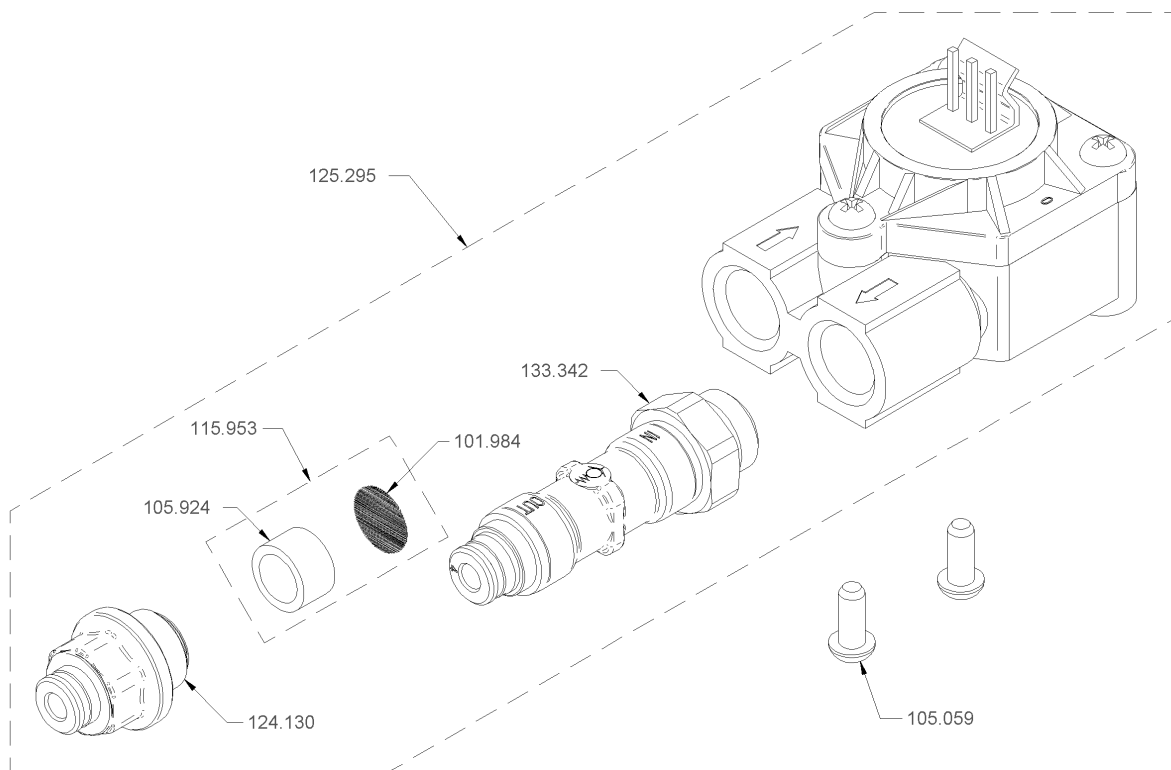
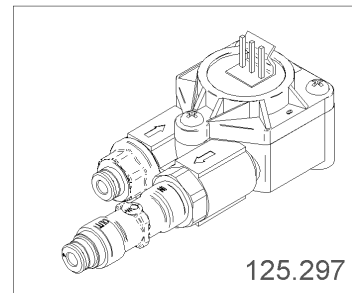
1.5.2.1.4.1 Solenoid valve 3/2, $\phi 1.1$, small NFC



1.5.2.1.5 Flowmeter \varnothing 4-1/4, \varnothing 1.15, set

Article no.	Description	Quantity
101.984	Filter for flowmeter 1/4	1.0
105.059	Oval head PT screw Phillips KA40x10	2.0
105.924	Sleeve	1.0
115.953	Water strainer flowmeter	1.0
124.130	Straight fitting 4-1/4	1.0
125.295	Flowmeter \varnothing 4-1/4, \varnothing 1.15, assy.	1.0
133.342	Check valve \varnothing 4-1/4	1.0

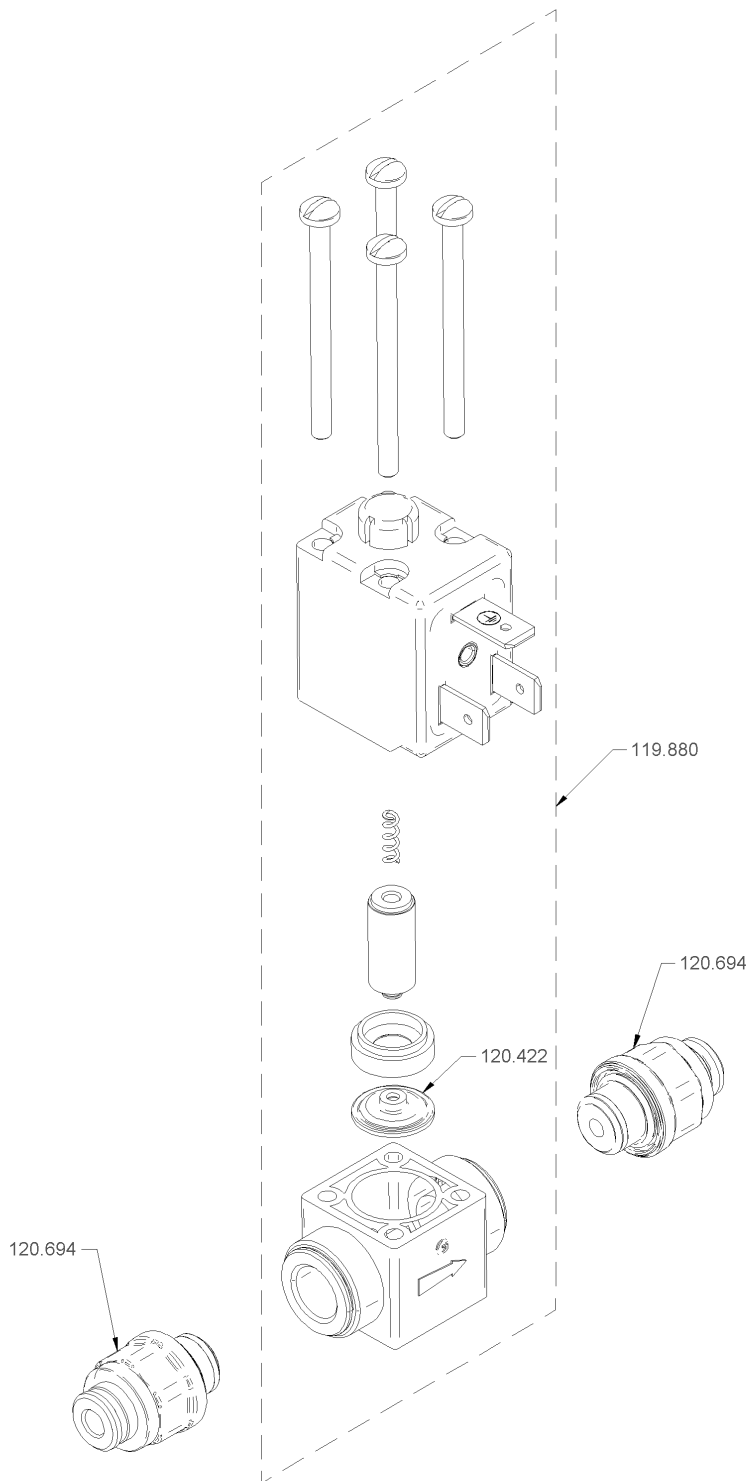
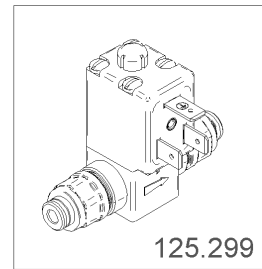
1.5.2.1.5 Flowmeter $\varnothing 4-1/4$, $\varnothing 1.15$, set



1.5.2.1.6 Diaphragm valve 2/2, ø2.0, small, assy.

Article no.	Description	Quantity
119.880	Diaphragm valve 2/2, ø2.0, small	1.0
120.422	Diaphragm	1.0
120.694	Straight connector 4-1/8	2.0

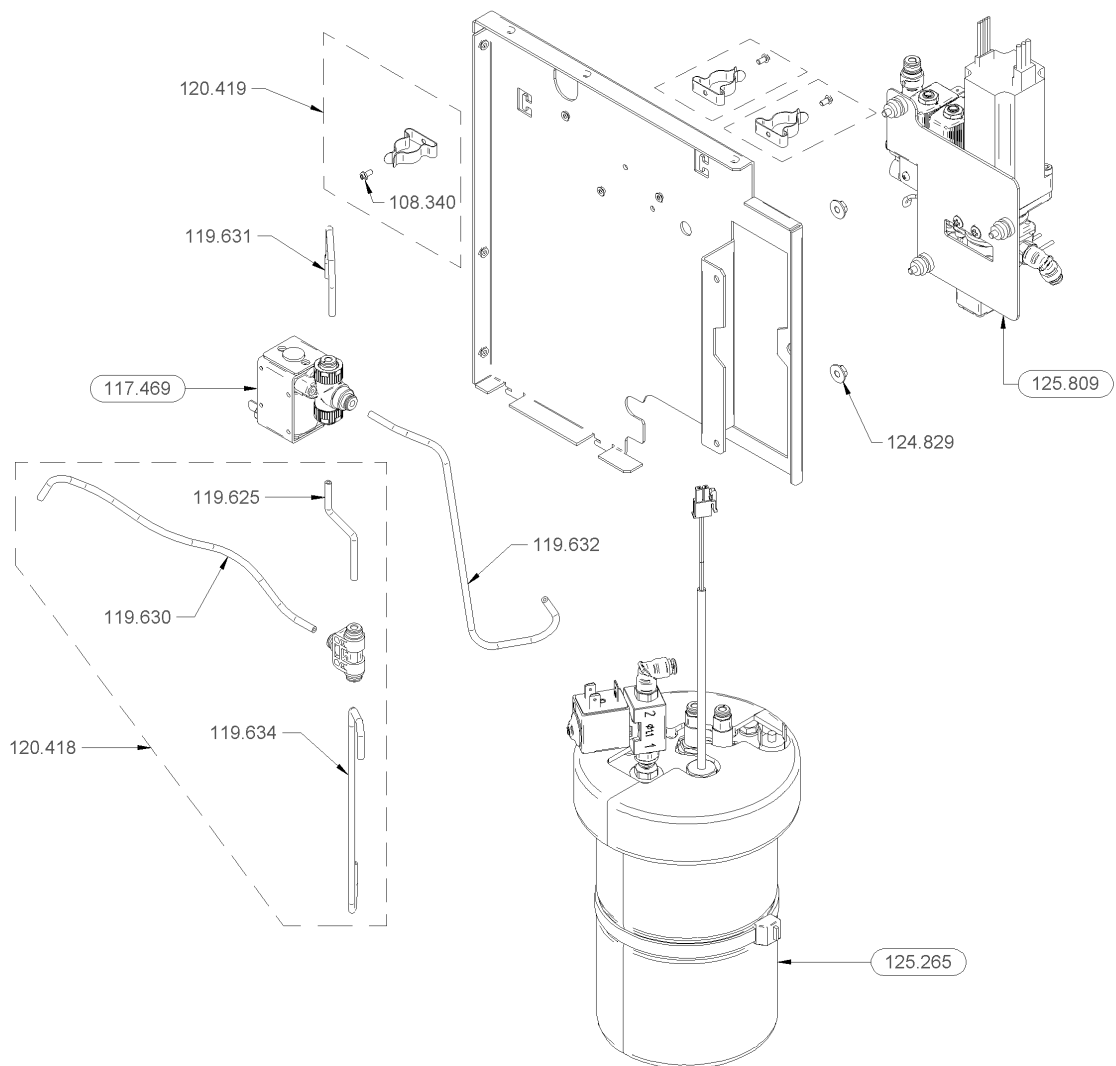
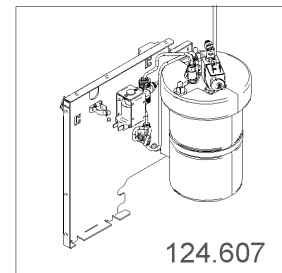
1.5.2.1.6 Diaphragm valve 2/2, $\varnothing 2.0$, small, assy.



1.5.2.2 Middle support, assy. Halcon

Article no.	Description	Quantity
108.340	Socket head screw M3x6 Phillips	1.0
117.469	Diaphragm valve Hyd.Mod BW2v2/BW3	1.0
119.625	FEP pipe \varnothing 4/2 x 100mm	1.0
119.630	FEP pipe \varnothing 4/2 x 160mm	1.0
119.631	FEP pipe \varnothing 4/2 x 140mm	1.0
119.632	Pipe FEP \varnothing 4/2 x 180mm	1.0
119.634	Pipe FEP \varnothing 4/2 x 300mm	1.0
120.418	Piping set milk	1.0
120.419	Tool clip \varnothing 16-19 set	3.0
124.829	Hex nuts with flange and serrations M04	2.0
125.265	Milk Tea/Boiler, 230V assy.	1.0
125.809	Milk Pump assy.	1.0

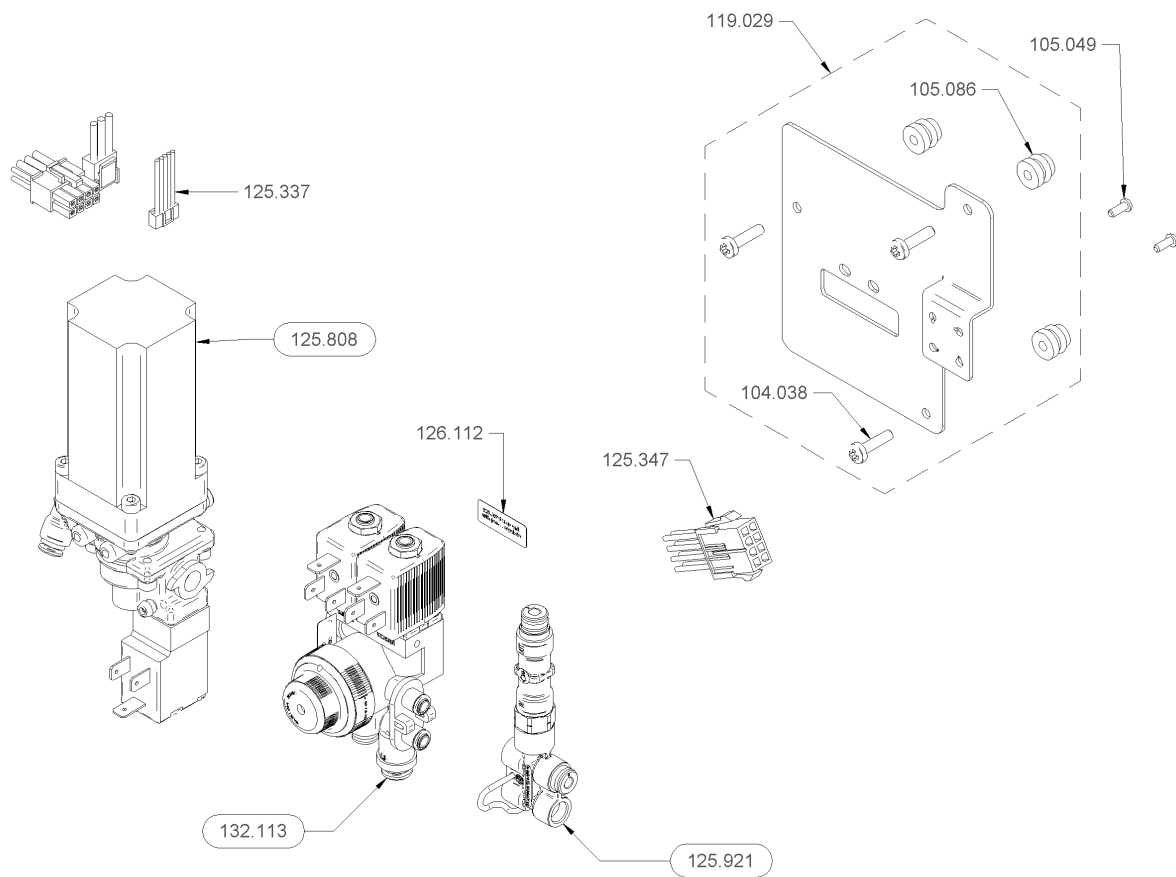
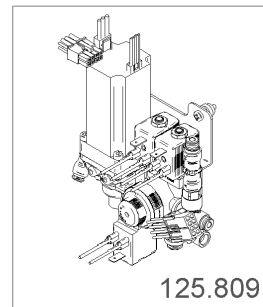
1.5.2.2 Middle support, assy. Halcon



1.5.2.2.1 Milk Pump assy.

Article no.	Description	Quantity
104.038	Oval head screw Phillips M4x16	3.0
105.049	Oval head PT screw Phillips KA30x8	2.0
105.086	Rubber mounting bush M4	3.0
119.029	Support Pump, assy.	1.0
125.337	Wiring harness milk pump Halcon	1.0
125.347	Wiring harness milk valves Halcon	1.0
125.808	Milk Pump set	1.0
125.921	Connection RB to WP with T-con. assy.	1.0
126.112	Sticker P-unit Halcon with pressregulator	1.0
132.113	Cleaning block with pressreg. assy.	1.0

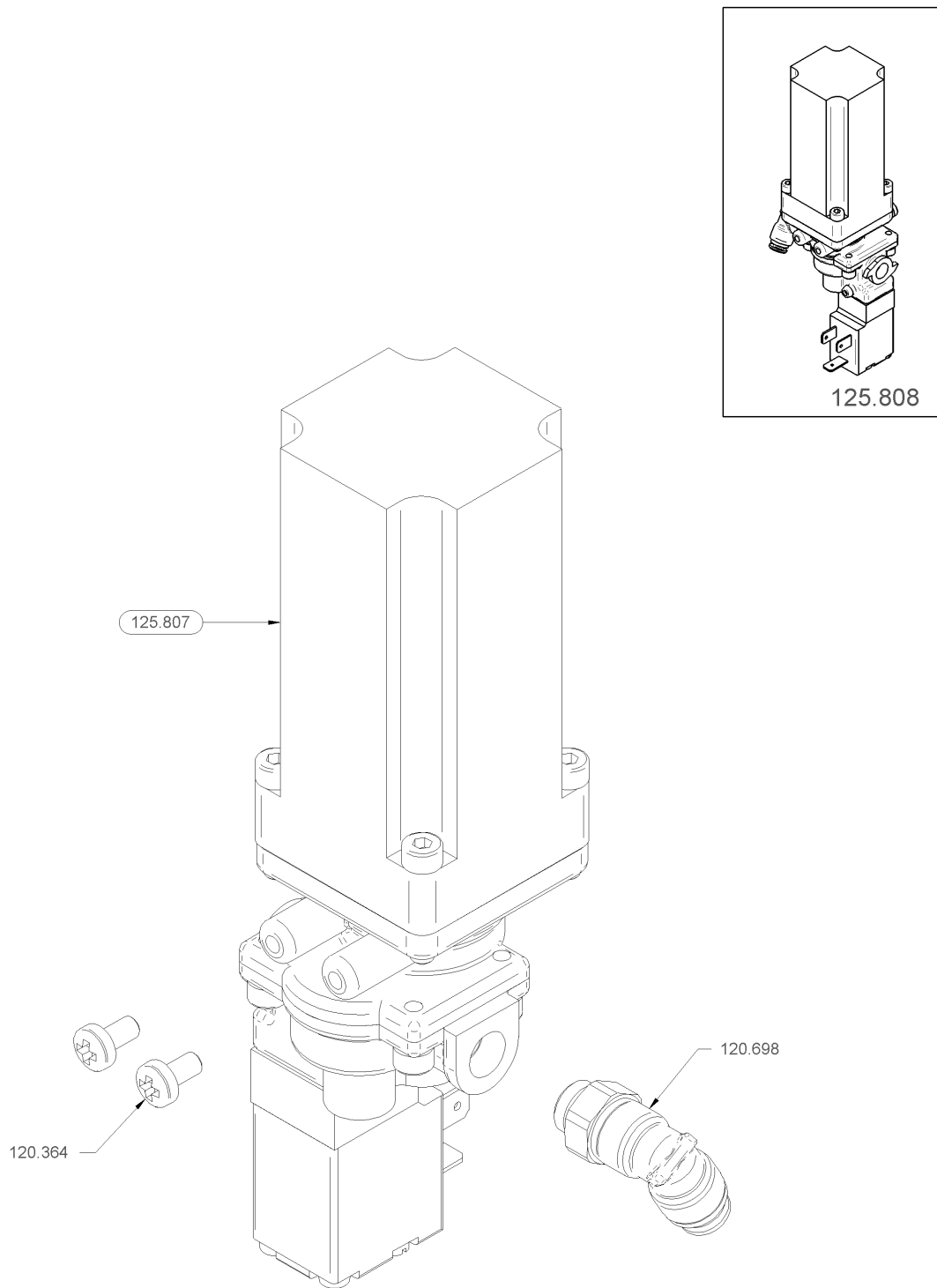
1.5.2.2.1 Milk Pump assy.



1.5.2.2.1.1 Milk Pump set

Article no.	Description	Quantity
120.364	Screw Phillips M4x8 Tuflok	2.0
120.698	Elbow connector 4-1/8	1.0
125.807	Milk Pump inox with motor assy.	1.0

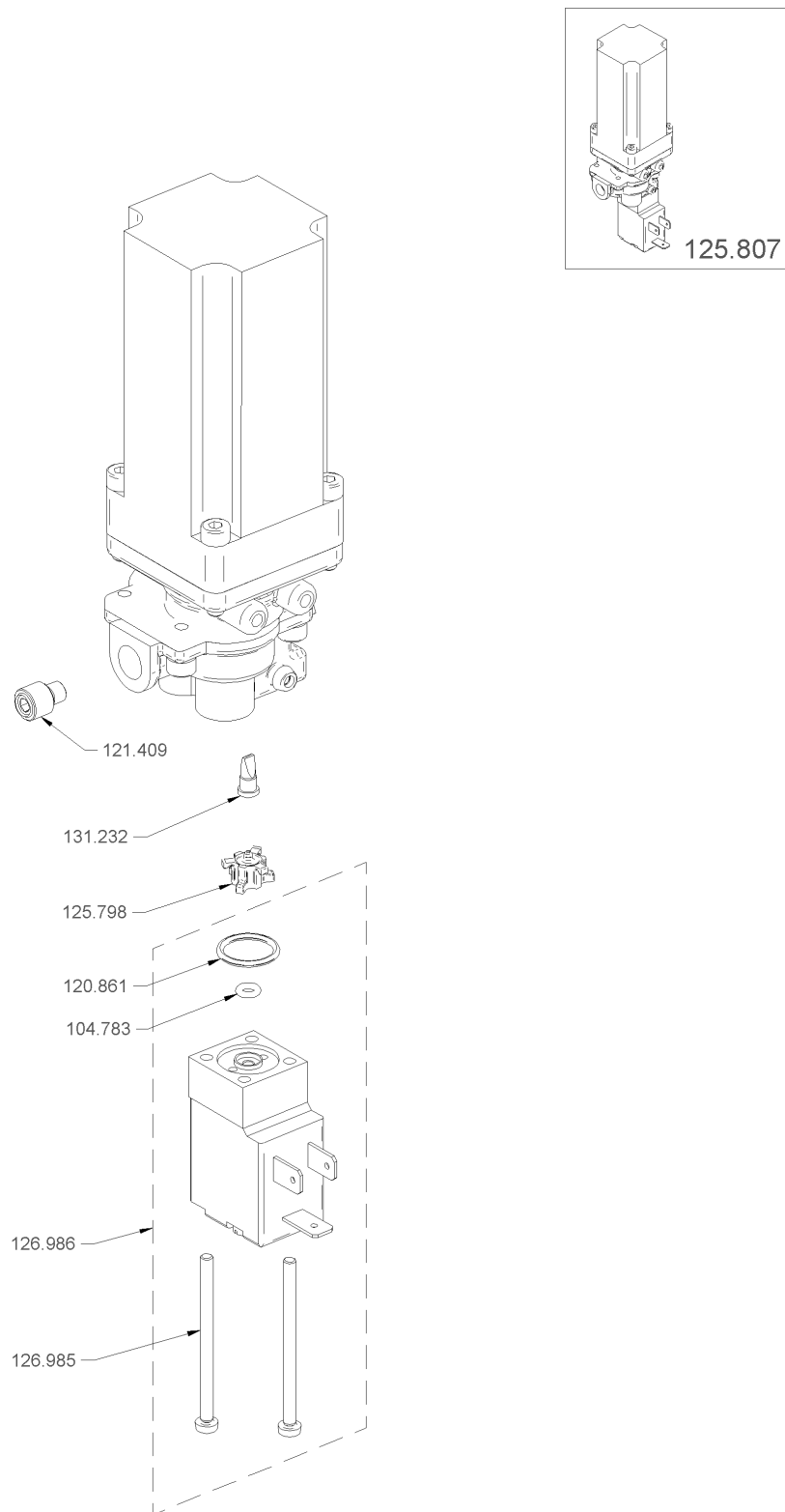
1.5.2.2.1.1 Milk Pump set



1.5.2.2.1.1.1 Milk Pump inox with motor assy.

Article no.	Description	Quantity
104.783	O-Ring 3.00x1.50 FKM	1.0
120.861	O-Ring 12.00x1.50 FKM	1.0
121.409	Nozzle to milk pump PEEK	1.0
125.798	Support duckbill	1.0
126.985	Socket head cap screw M3x45	2.0
126.986	2/2-proportional valve 0.8mm set	1.0
131.232	Check valve duckbill light blue	1.0

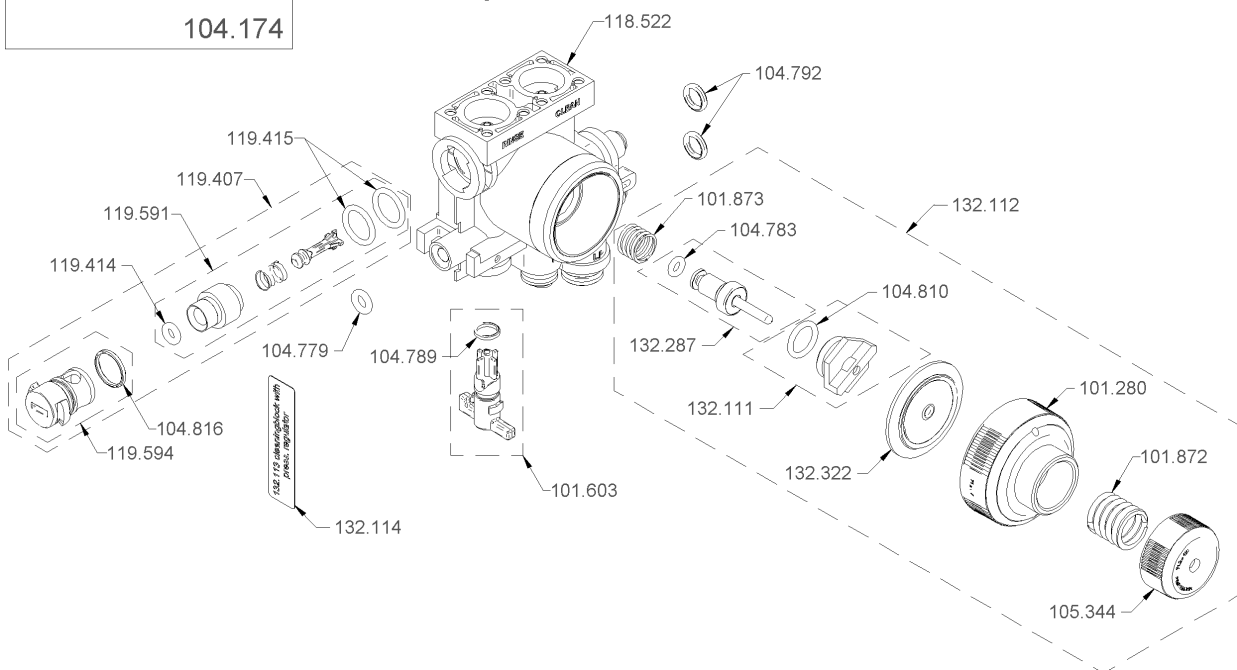
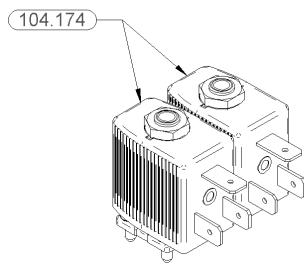
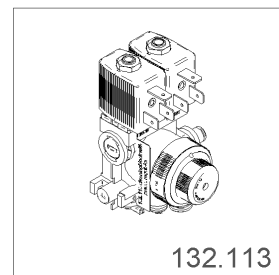
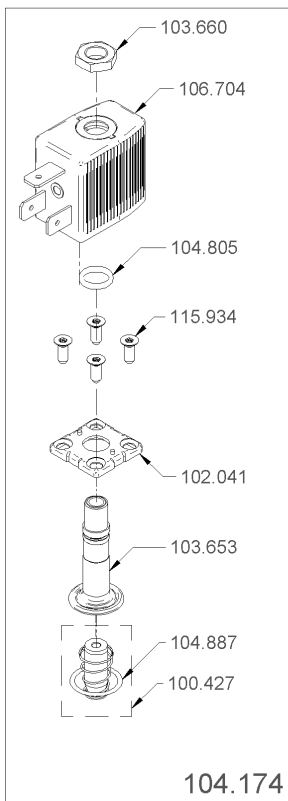
1.5.2.2.1.1.1 Milk Pump inox with motor assy.



1.5.2.2.1.2 Cleaning block with pressreg. assy.

Article no.	Description	Quantity
100.427	Set 2/2 valve plunger with gasket	1.0
101.280	Cover pressure regulator	1.0
101.603	Milk bloc flowmeter assy.	1.0
101.872	Upper spring pressure regulator	1.0
101.873	Lower spring pressure regulator	1.0
102.041	Flange for mini-valve	1.0
103.653	Plunger guide Mini-valve 2/2	1.0
103.660	Nut for mini-valve	1.0
104.174	2/2 solenoid valve, assy.	2.0
104.779	O-Ring 3.69x1.78 EPDM 75.5/KW75F	1.0
104.783	O-Ring 3.00x1.50 FKM	1.0
104.789	O-Ring 5.00x1.00 EPDM	1.0
104.792	O-Ring 5.00x1.50 FKM 75.5/VA75F	2.0
104.805	O-Ring 7.50x1.50 EPDM	1.0
104.810	O-Ring 8.00x1.50 VMQ 80.5/SIL80F	1.0
104.816	O-Ring 9.00x1.00 EPDM 75.5/KW75 F	1.0
104.887	O-Ring 13.00x1.30 EPDM	1.0
105.344	Screw plug M18x1.5	1.0
106.704	Coil for mini-valve	1.0
115.934	PT flat head screws Torx K30x08	4.0
118.522	Basis block milk module assy.	1.0
119.407	Milk check valve assy.	1.0
119.414	O-Ring 2.90x1.78 EPDM 291	1.0
119.415	O-Ring 8.00x1.50 EPDM 291	2.0
119.591	Milk check valve	1.0
119.594	Cover check valve milk, assy.	1.0
132.111	Water nozzle assy.	1.0
132.112	Pressure regulator, assy.	1.0
132.114	Sticker c-block with pressregulator	1.0
132.287	Valve pressure regulator, assy. Inox	1.0
132.322	Membrane ø28.5 pressure regulator Inox	1.0

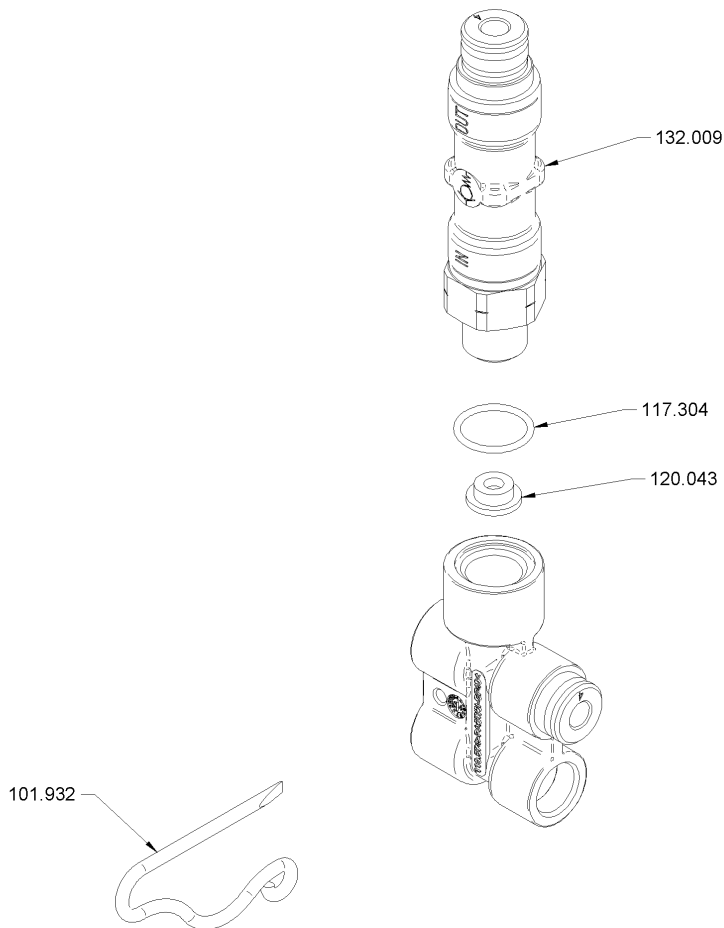
1.5.2.2.1.2 Cleaning block with pressreg. assy.



1.5.2.2.1.3 Connection RB to WP with T-con. assy.

Article no.	Description	Quantity
101.932	Spring clip pump	1.0
117.304	O-Ring 10.00x1.00 EPDM 291	1.0
120.043	Flow limitation nozzle \varnothing 0.6	1.0
132.009	Check valve \varnothing 4-1/8"	1.0

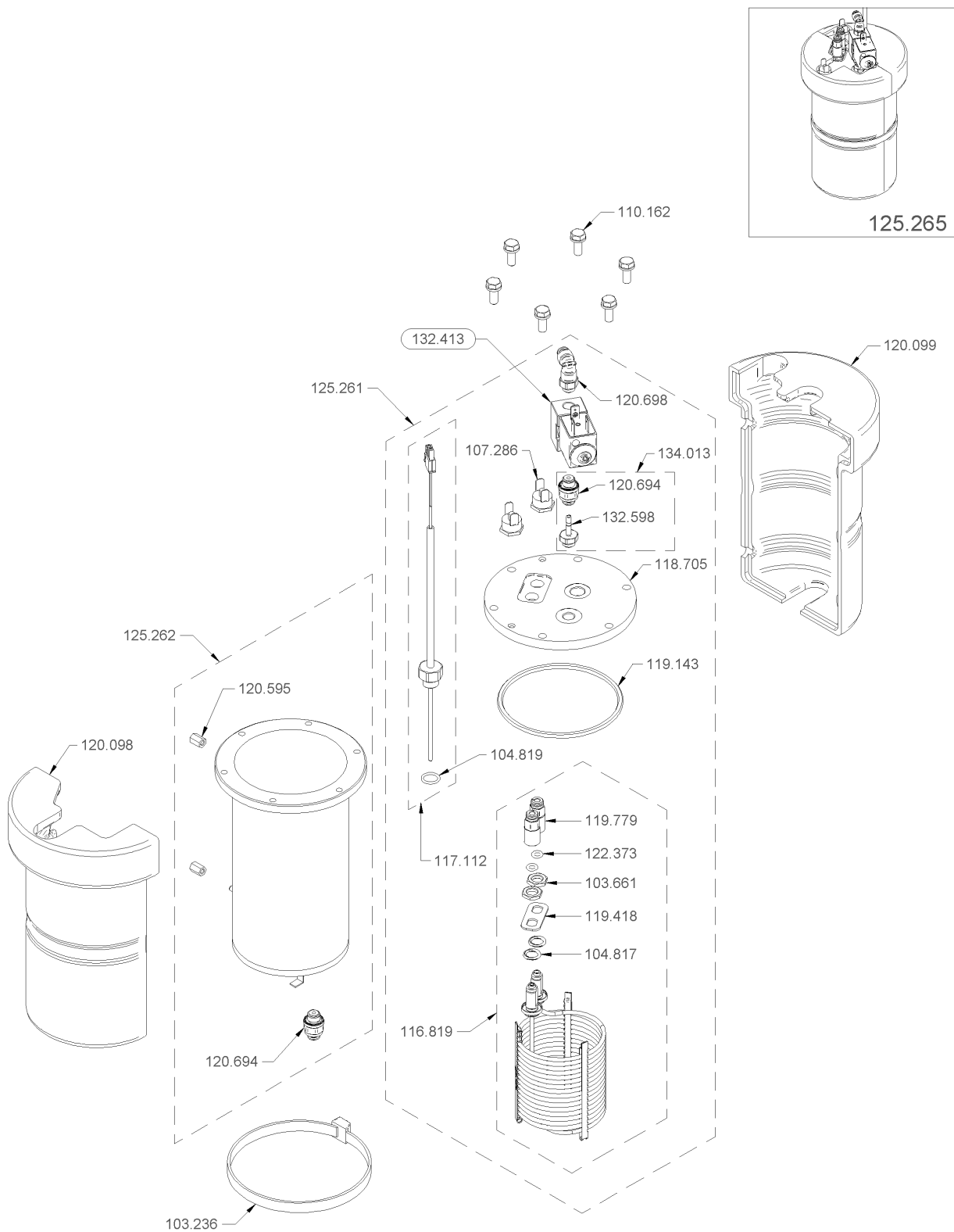
1.5.2.2.1.3 Connection RB to WP with T-con. assy.



1.5.2.2.2 Milk Tea/Boiler, 230V assy.

Article no.	Description	Quantity
103.236	Cable tie 530x8.9	1.0
103.661	Nut G1/8"	2.0
104.817	O-Ring 9.00x2.00 EPDM	2.0
104.819	O-Ring 10.82x1.78 VMQ	1.0
107.286	Thermal security 125°C HM	2.0
110.162	Hexagonal head screw combi M06x16	6.0
116.819	Milk heating coil BW2/BW3 assy.	1.0
117.112	NTC Sensor Boiler	1.0
118.705	Cover milk tea boiler	1.0
119.143	O-Ring 88.00x4.00 EPDM	1.0
119.418	Safety sheet	1.0
119.779	Coil connection assy.	2.0
120.098	Isolating milk tea boiler left	1.0
120.099	Isolating milk tea boiler right	1.0
120.595	Hexagonal spacer M4x10	2.0
120.694	Straight connector 4-1/8	1.0
120.694	Straight connector 4-1/8	1.0
120.694	Straight connector 4-1/8	1.0
120.698	Elbow connector 4-1/8	1.0
122.373	O-Ring 5.28x1.78 EPDM	2.0
125.261	Cover milk tea boiler, assy. Halcon	1.0
125.262	Housing to Milk/Tea Boiler 230V	1.0
132.413	Solenoid valve 2/2, ø1.1, small NFC	1.0
132.598	Straight screwed coupling 4-1/8	1.0
134.013	Straight connector set	1.0

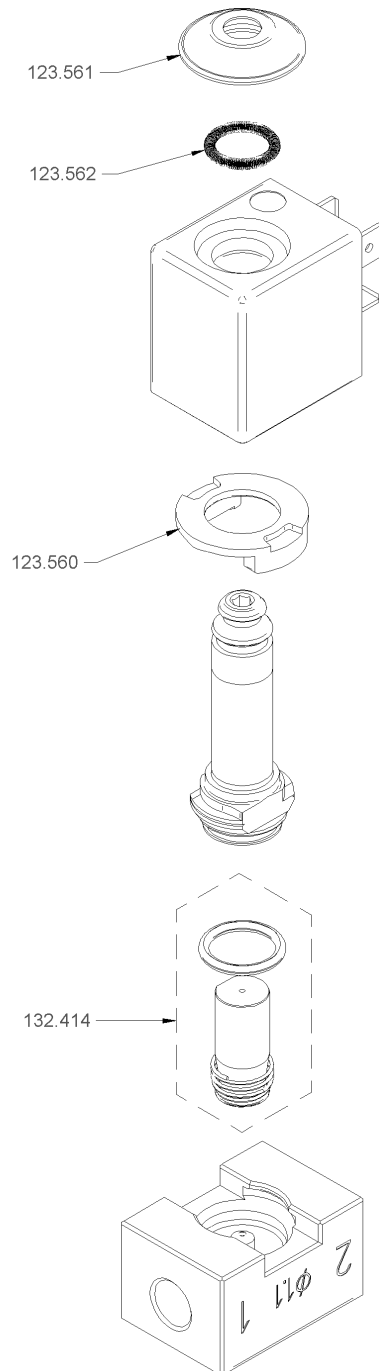
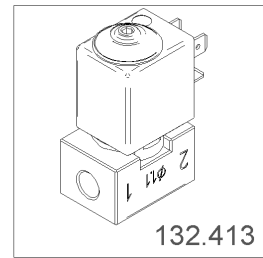
1.5.2.2.2 Milk Tea/Boiler, 230V assy.



1.5.2.2.1 Solenoid valve 2/2, ø1.1, small NFC

Article no.	Description	Quantity
123.560	Supporting ring	1.0
123.561	Protection cap	1.0
123.562	Spring to magnet valve	1.0
132.414	Plunger kit 2/2 NFC	1.0

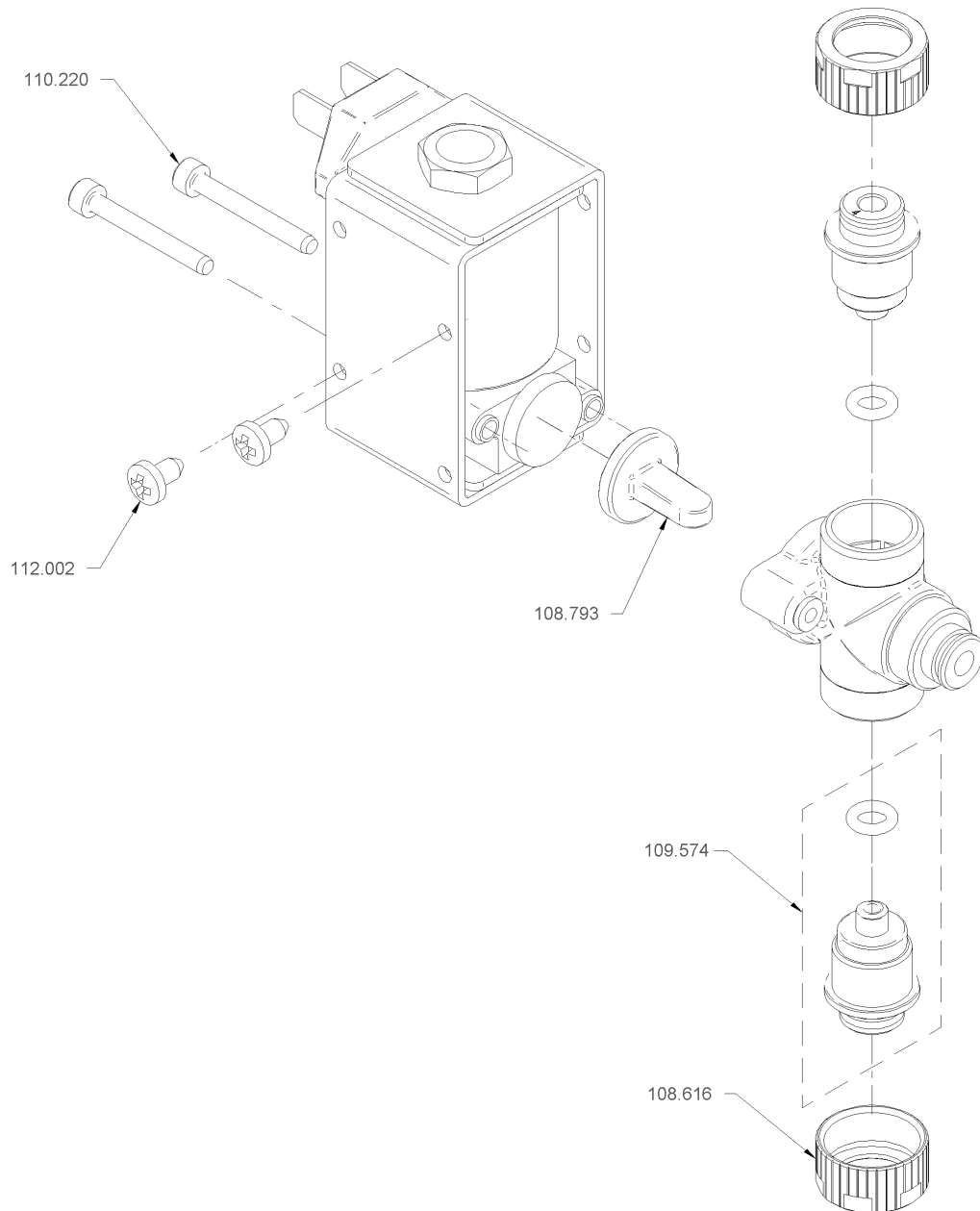
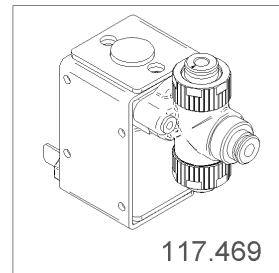
1.5.2.2.1 Solenoid valve 2/2, $\phi 1.1$, small NFC



1.5.2.2.3 Diaphragm valve Hyd.Mod BW2v2/BW3

Article no.	Description	Quantity
108.616	Grooved nut diaphragm valve	2.0
108.793	Diaphragm	1.0
109.574	Insert Valve Magma ø4 with O-ring	2.0
110.220	Socket head screw M3x25	2.0
112.002	Phillips sheet screw ST 3.5x6.5	2.0

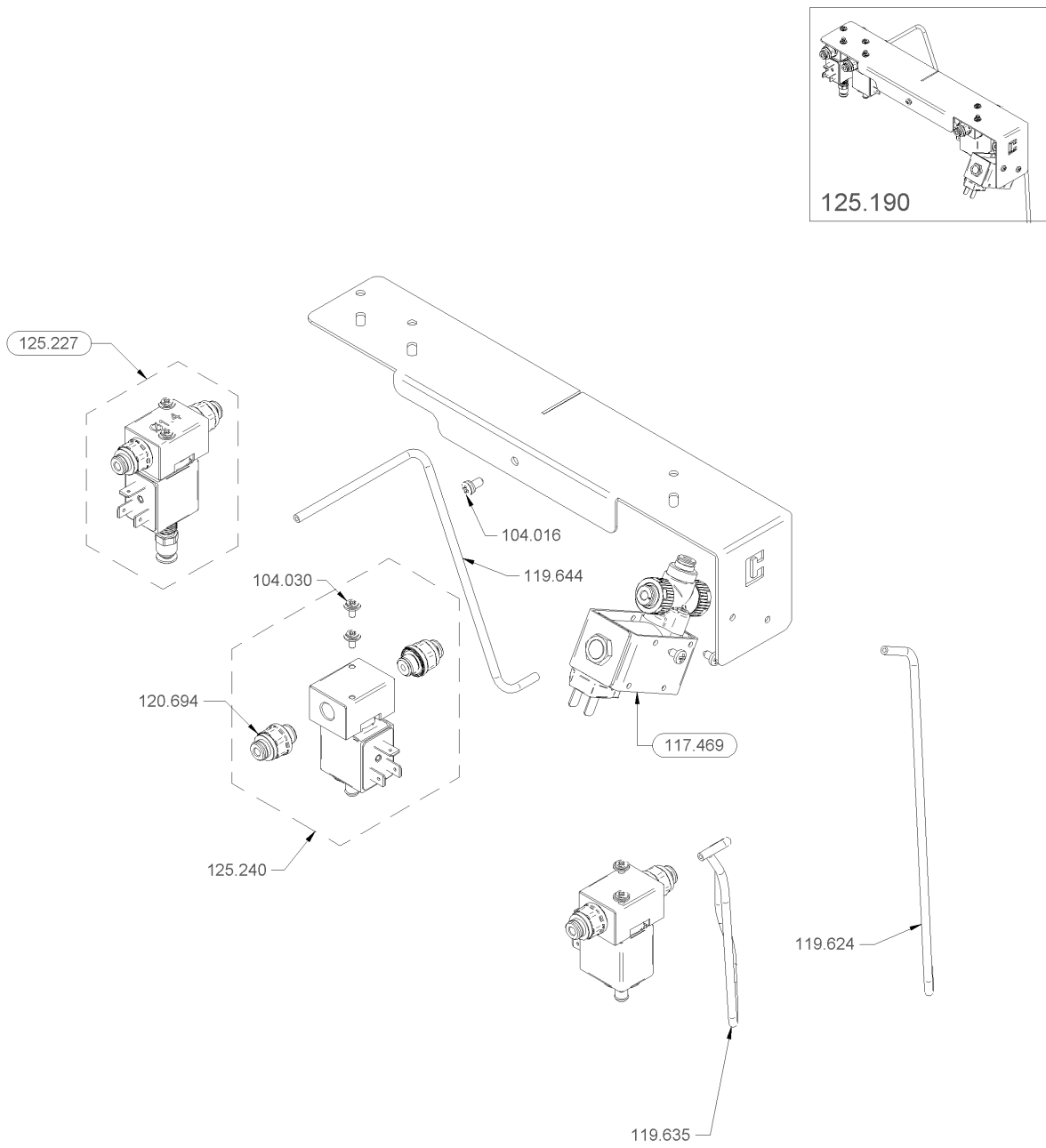
1.5.2.2.3 Diaphragm valve Hyd.Mod BW2v2/BW3



1.5.2.3 Support valve assy. AG220

Article no.	Description	Quantity
104.016	Oval head Phillips combi screw M4x8	1.0
104.030	Oval pan head screw Phi. eco-fix M3x6	2.0
117.469	Diaphragm valve Hyd.Mod BW2v2/BW3	1.0
119.624	FEP pipe $\varnothing 4/2$ x 260mm	1.0
119.635	FEP pipe $\varnothing 4/2$ x 380mm	1.0
119.644	FEP pipe $\varnothing 4/2$ x 210mm	1.0
120.694	Straight connector 4-1/8	2.0
125.227	Solenoid valve 3/2, $\varnothing 1.4$, small set	1.0
125.240	Solenoid valve 3/2, $\varnothing 1.1$, set	2.0

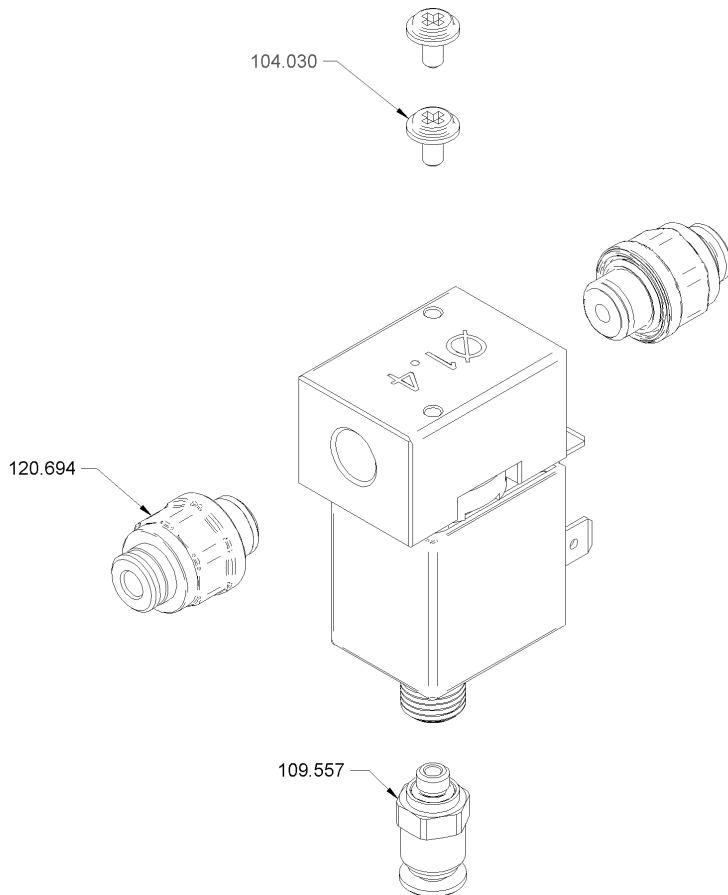
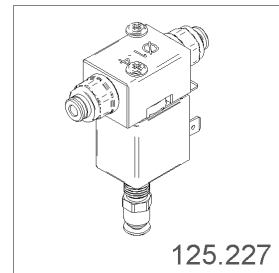
1.5.2.3 Support valve assy. AG220



1.5.2.3.1 Solenoid valve 3/2, ø1.4, small set

Article no.	Description	Quantity
104.030	Oval pan head screw Phi. eco-fix M3x6	2.0
109.557	Straight connector 4-M5	1.0
120.694	Straight connector 4-1/8	2.0

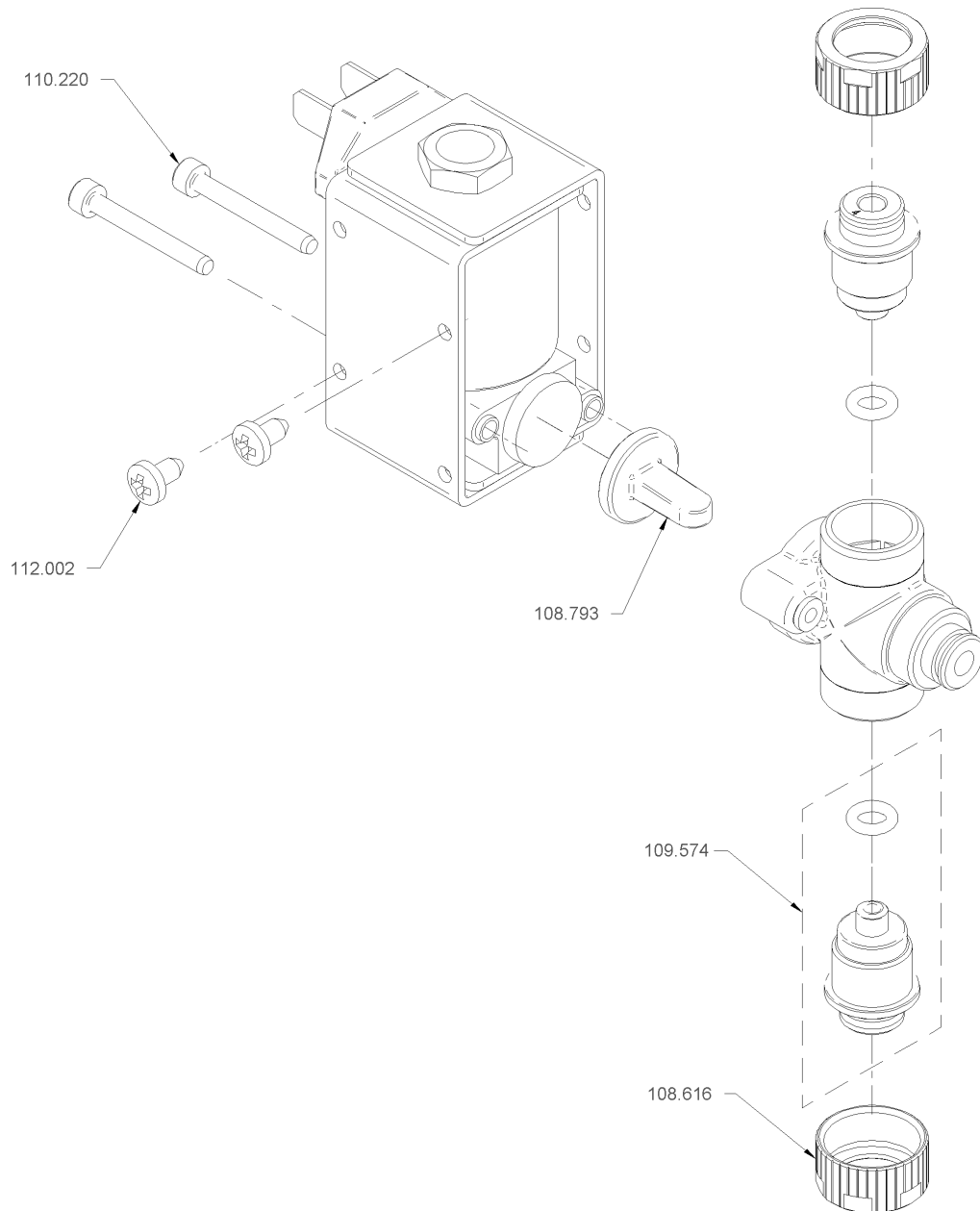
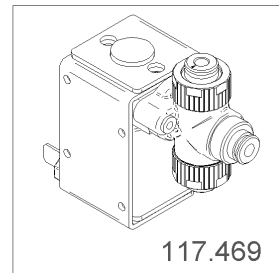
1.5.2.3.1 Solenoid valve 3/2, $\varnothing 1.4$, small set



1.5.2.3.2 Diaphragm valve Hyd.Mod BW2v2/BW3

Article no.	Description	Quantity
108.616	Grooved nut diaphragm valve	2.0
108.793	Diaphragma	1.0
109.574	Insert Valve Magma ø4 with O-ring	2.0
110.220	Socket head screw M3x25	2.0
112.002	Phillips sheet screw ST 3.5x6.5	2.0

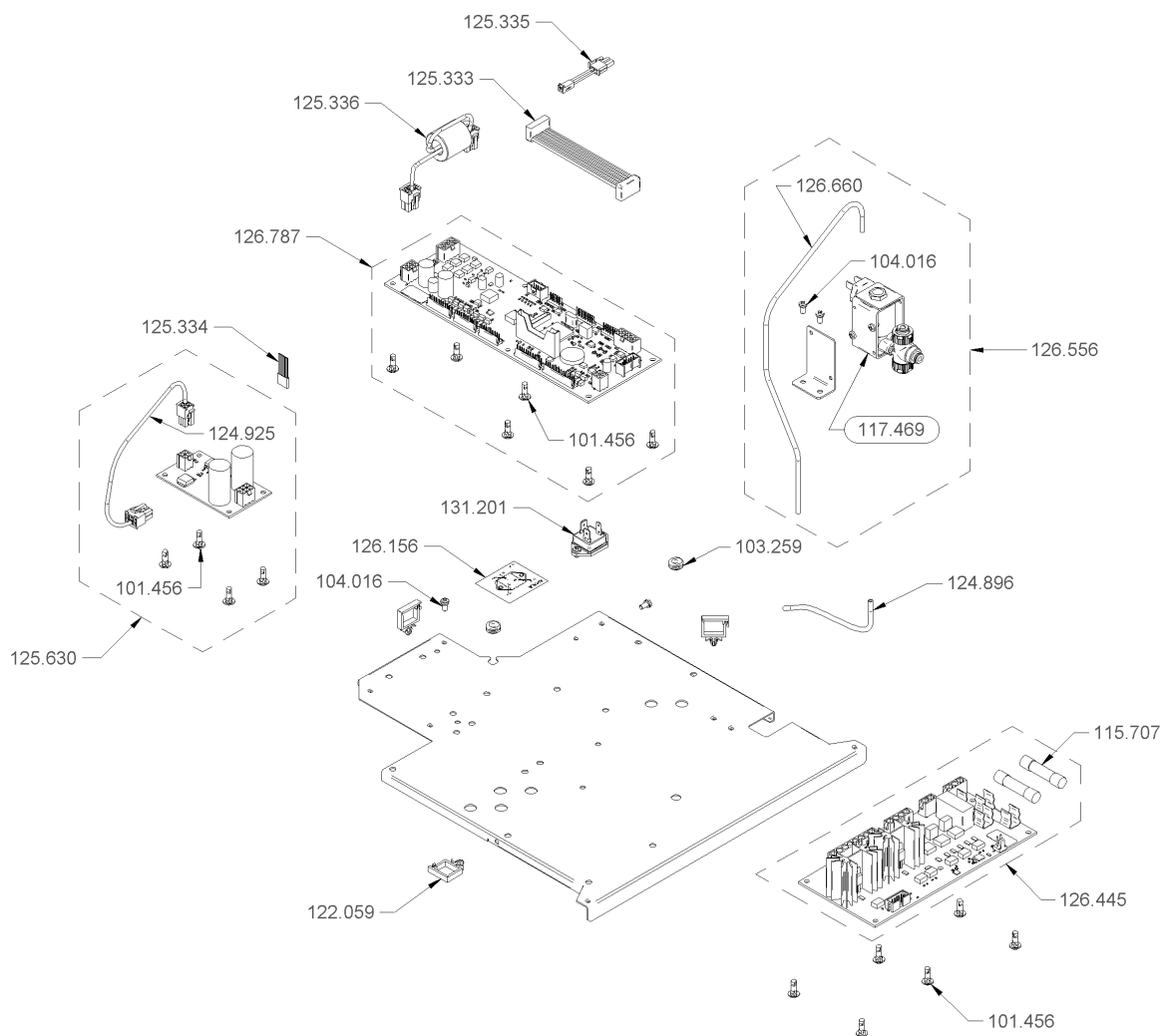
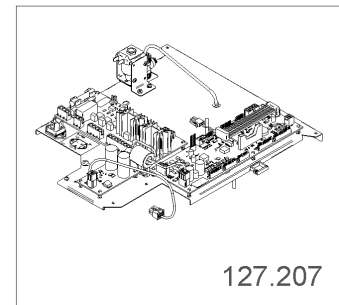
1.5.2.3.2 Diaphragm valve Hyd.Mod BW2v2/BW3



1.5.2.4 Top support assy. AG220 US

Article no.	Description	Quantity
101.456	Deck support piece ø5.5x8mm	6.0
101.456	Deck support piece ø5.5x8mm	12.0
103.259	Cable bushing ø11/8 x 5.5	2.0
104.016	Oval head Phillips combi screw M4x8	2.0
104.016	Oval head Phillips combi screw M4x8	2.0
104.016	Oval head Phillips combi screw M4x8	2.0
115.707	Fuse 10X40/8A	2.0
117.469	Diaphragm valve Hyd.Mod BW2v2/BW3	1.0
122.059	Cable clip with anchor	1.0
124.896	FEP pipe ø4/2 x 155mm	1.0
124.925	Wiring harness power supply UL	1.0
125.333	Flat cable 14 pin	1.0
125.334	Flat cable 10 pin	1.0
125.335	Wiring harness NTC RF	1.0
125.336	Wiring harness 24V 200mm	1.0
125.630	UL-Voltage stabilization board assy.	1.0
126.156	Sticker Triac AG220	1.0
126.445	HUPB Power Board UL	1.0
126.556	Exhaust valve set	1.0
126.660	FEP pipe ø4/2 x 200mm	1.0
126.787	HACB Control Board set	1.0
131.201	Set Triac	1.0

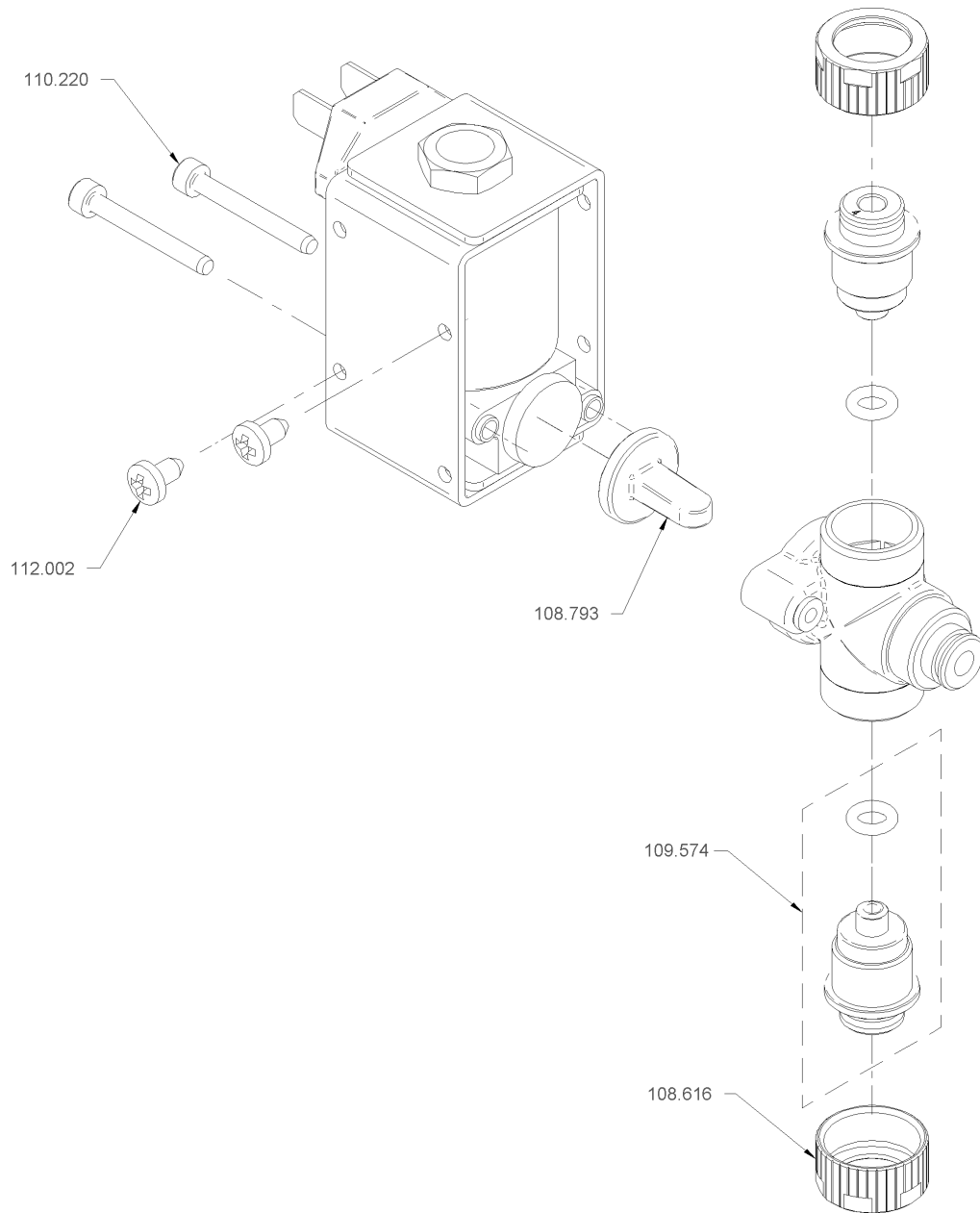
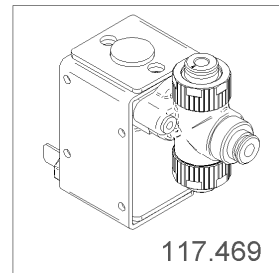
1.5.2.4 Top support assy. AG220 US



1.5.2.4.1 Diaphragm valve Hyd.Mod BW2v2/BW3

Article no.	Description	Quantity
108.616	Grooved nut diaphragm valve	2.0
108.793	Diaphragm	1.0
109.574	Insert Valve Magma ø4 with O-ring	2.0
110.220	Socket head screw M3x25	2.0
112.002	Phillips sheet screw ST 3.5x6.5	2.0

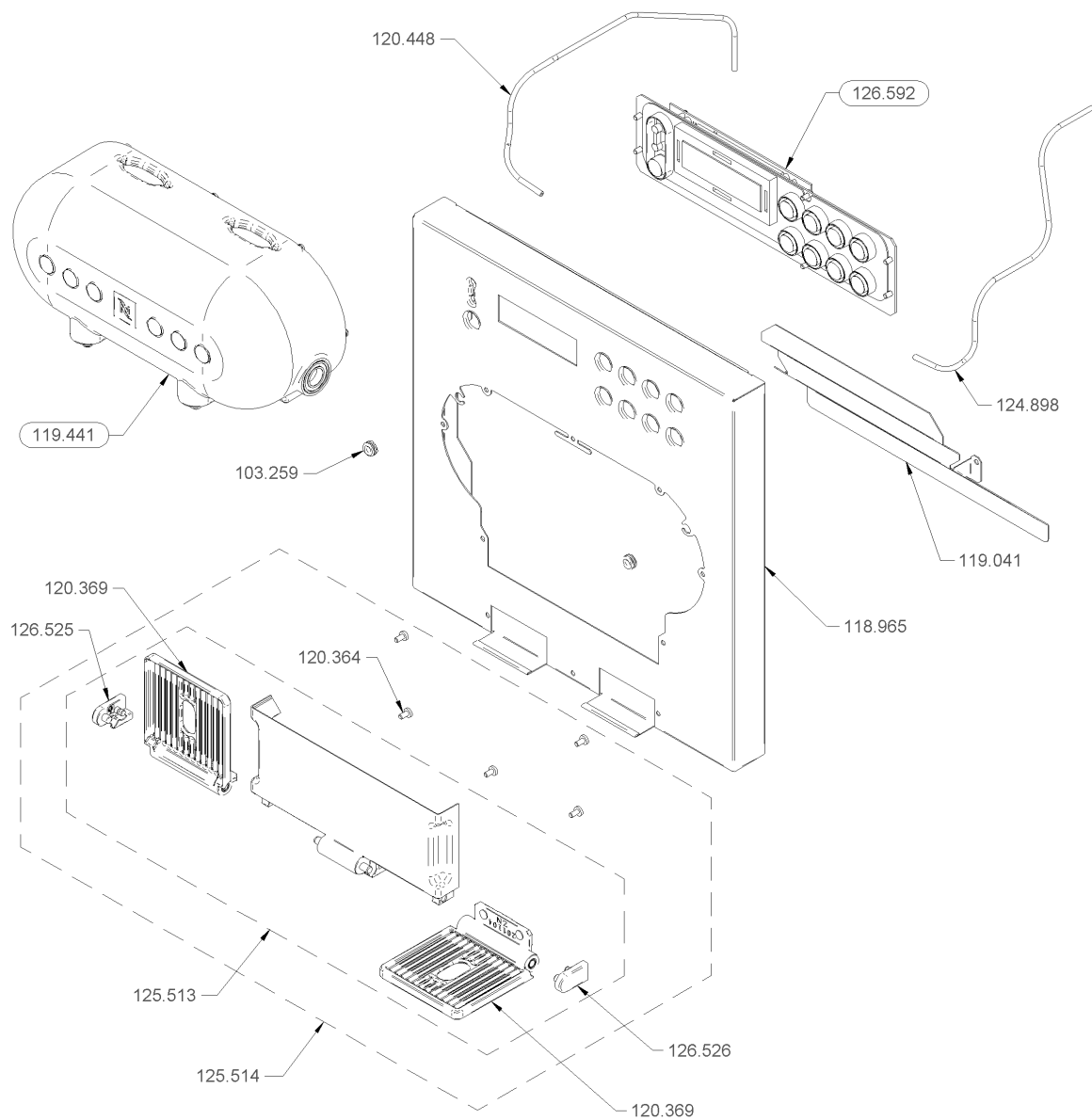
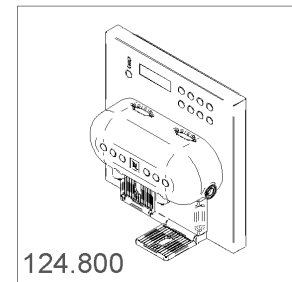
1.5.2.4.1 Diaphragm valve Hyd.Mod BW2v2/BW3



1.5.2.5 Front assy. Halcon

Article no.	Description	Quantity
103.259	Cable bushing $\varnothing 11/8 \times 5.5$	2.0
118.965	Front sheet	1.0
119.041	Ejection sheet metal	1.0
119.441	Doublehead, assy.	1.0
120.364	Screw Phillips M4x8 Tuflok	5.0
120.369	Grid for cup support assy.	2.0
120.448	FEP pipe $\varnothing 4/2 \times 440\text{mm}$	1.0
124.898	FEP pipe $\varnothing 4/2 \times 290\text{mm}$	1.0
125.513	Cup support assy.	1.0
125.514	Cup support set	1.0
126.525	Fixation cup support left assy.	1.0
126.526	Fixation cup support right assy.	1.0
126.592	Keys with display, set	1.0

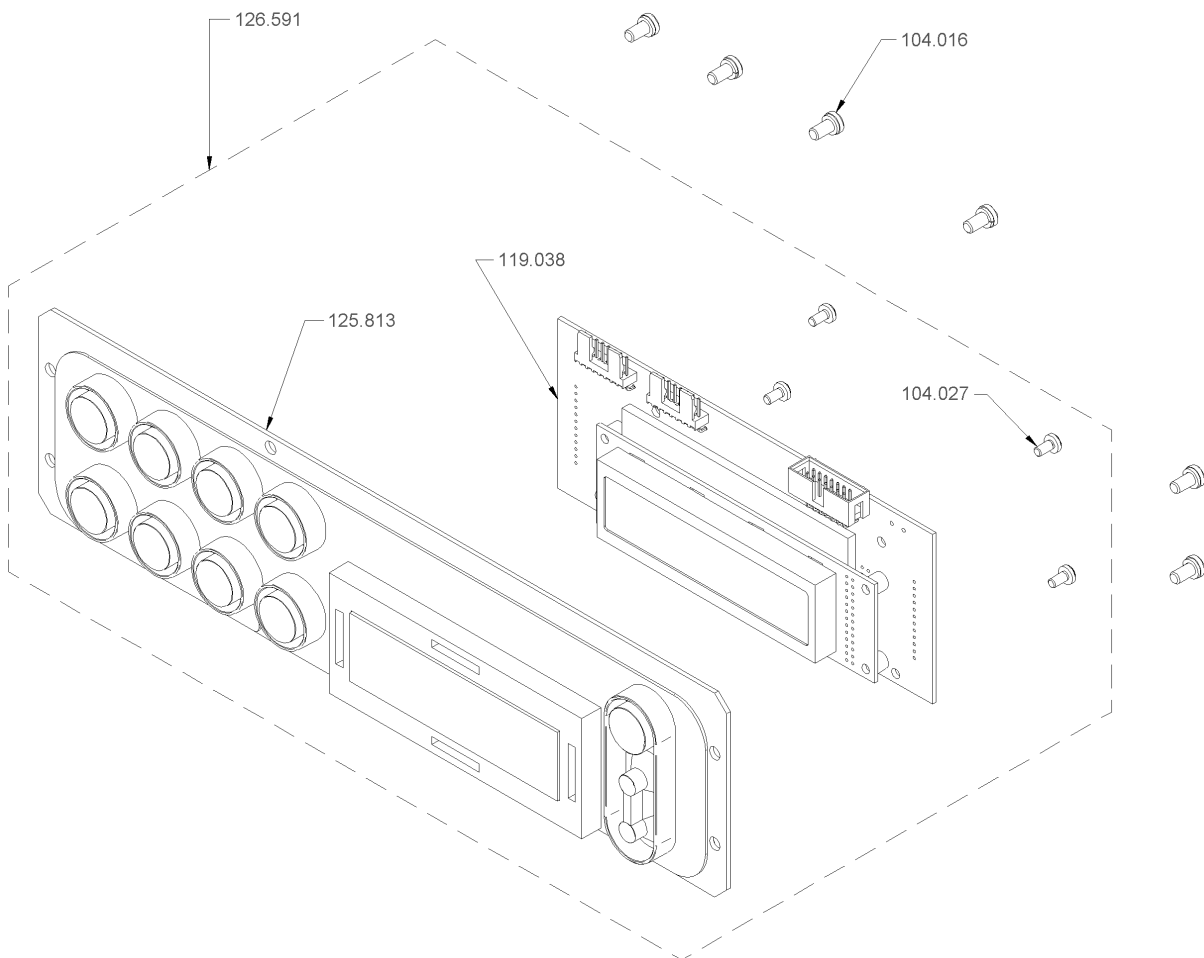
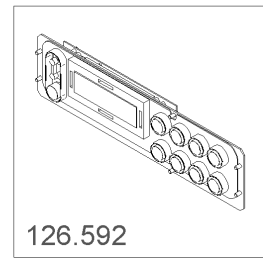
1.5.2.5 Front assy. Halcon



1.5.2.5.1 Keys with display, set

Article no.	Description	Quantity
104.016	Oval head Phillips combi screw M4x8	6.0
104.027	Oval head screw Phillips M3x6	4.0
119.038	Displayprint EADI	1.0
125.813	Keyboard Tea-Milk AG220	1.0
126.591	Keys with display	1.0

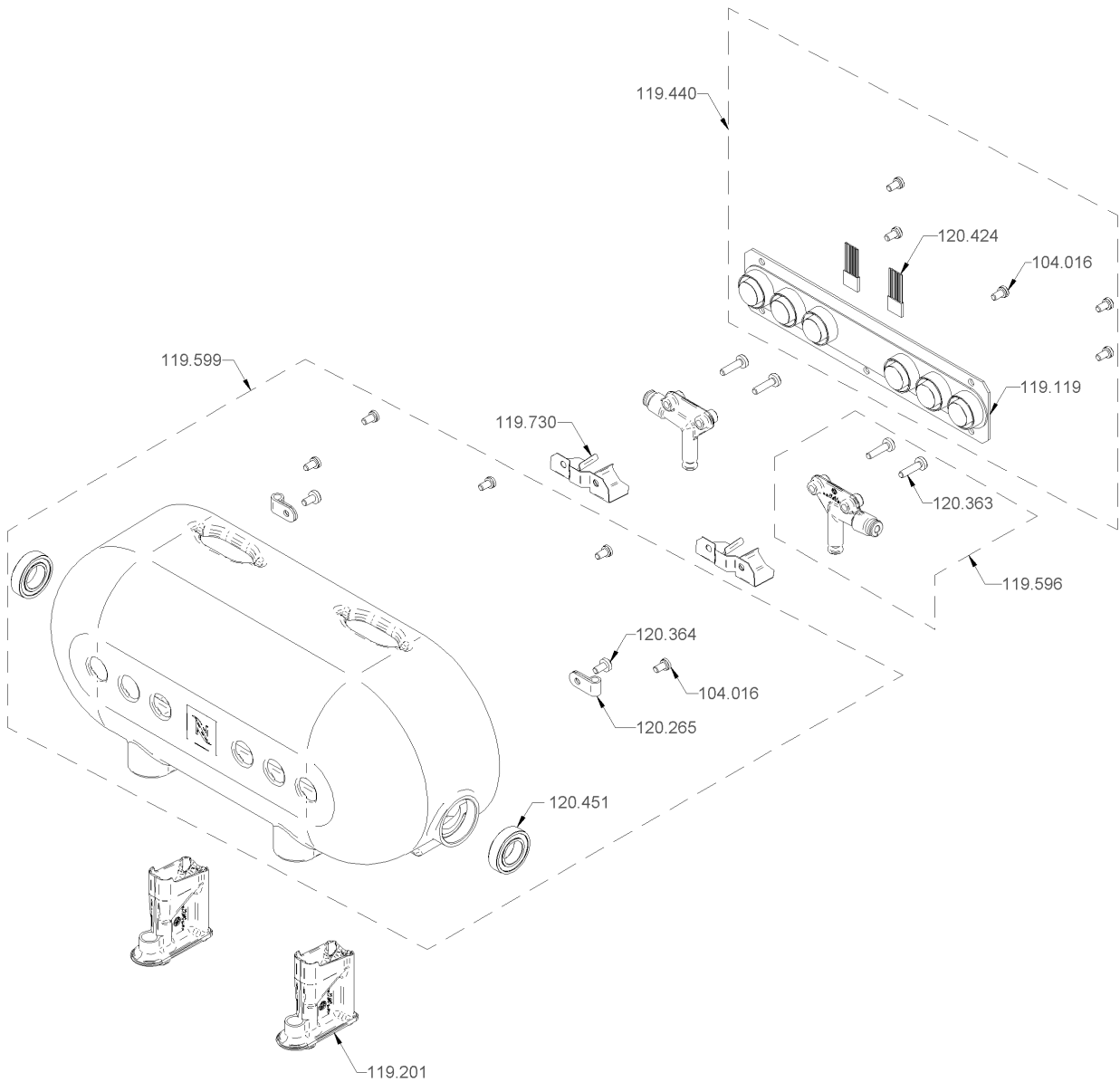
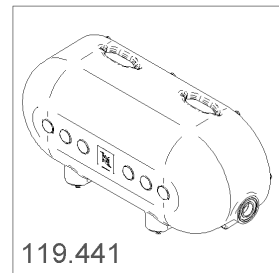
1.5.2.5.1 Keys with display, set



1.5.2.5.2 Doublehead, assy.

Article no.	Description	Quantity
104.016	Oval head Phillips combi screw M4x8	5.0
104.016	Oval head Phillips combi screw M4x8	5.0
119.119	Keyboard Coffee	1.0
119.201	Coffee outlet	2.0
119.440	Keyboard Coffee, assy.	1.0
119.596	Milk + Tea outlet set	2.0
119.599	Doublehead set	1.0
119.730	Spring clip outlet	2.0
120.265	Attachment-Clip 4.8	2.0
120.363	Screw phillips M4x16 Tuflok	2.0
120.364	Screw Phillips M4x8 Tuflok	2.0
120.424	Ribbon cable coffee keyboard	2.0
120.451	Ball bearing 61902	2.0

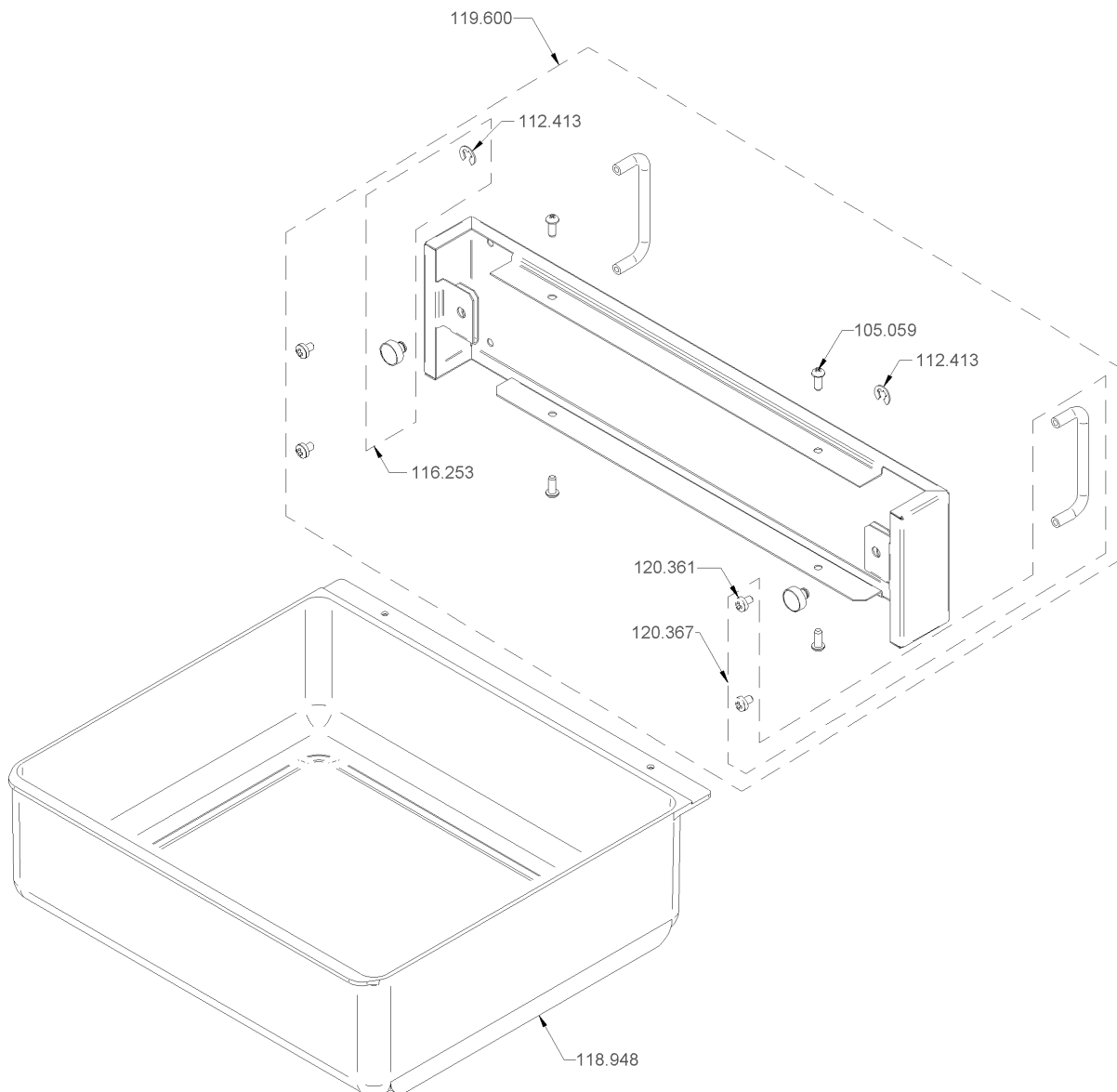
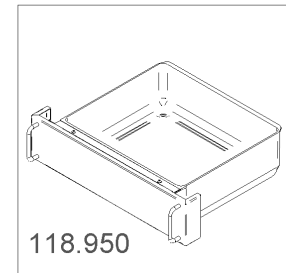
1.5.2.5.2 Doublehead, assy.



1.5.3 Grounds drawer assy.

Article no.	Description	Quantity
105.059	Oval head PT screw Phillips KA40x10	4.0
112.413	Lock washer ø5 for shaft	1.0
116.253	Magnet + clips steam handle	2.0
118.948	Grounds drawer	1.0
119.600	Front sheet grounds drawer set	1.0
120.361	Oval head screw M4x6 Tuflok	2.0
120.367	Holding clamp set Aguila	2.0

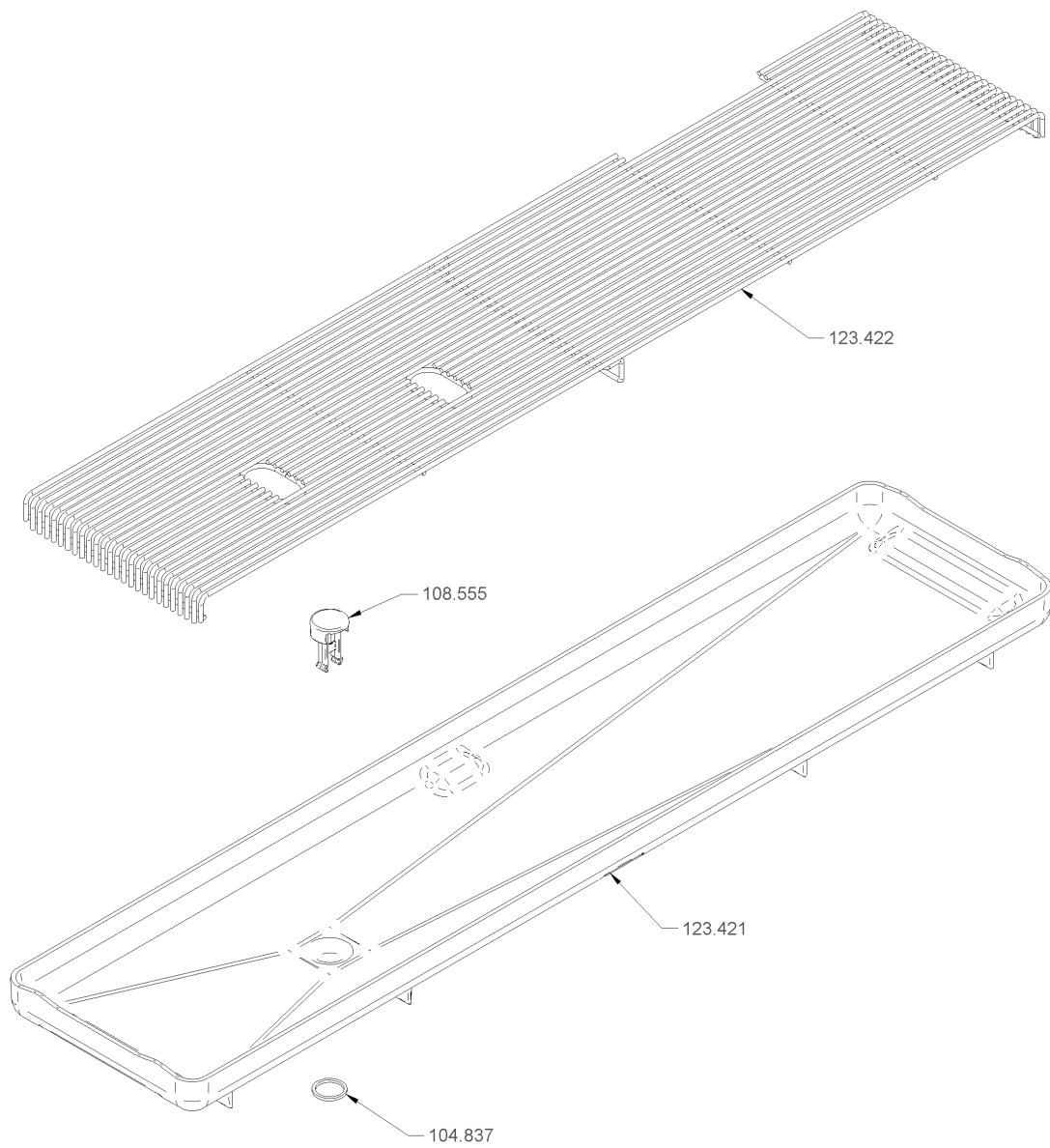
1.5.3 Grounds drawer assy.



1.5.4 Drip tray Halcon

Article no.	Description	Quantity
104.837	O-Ring 14.00x1.78 FKM	1.0
108.555	Cap drip tray	1.0
123.421	Drip tray insert (injection mo.) AG220	1.0
123.422	Drip tray grill AG220	1.0

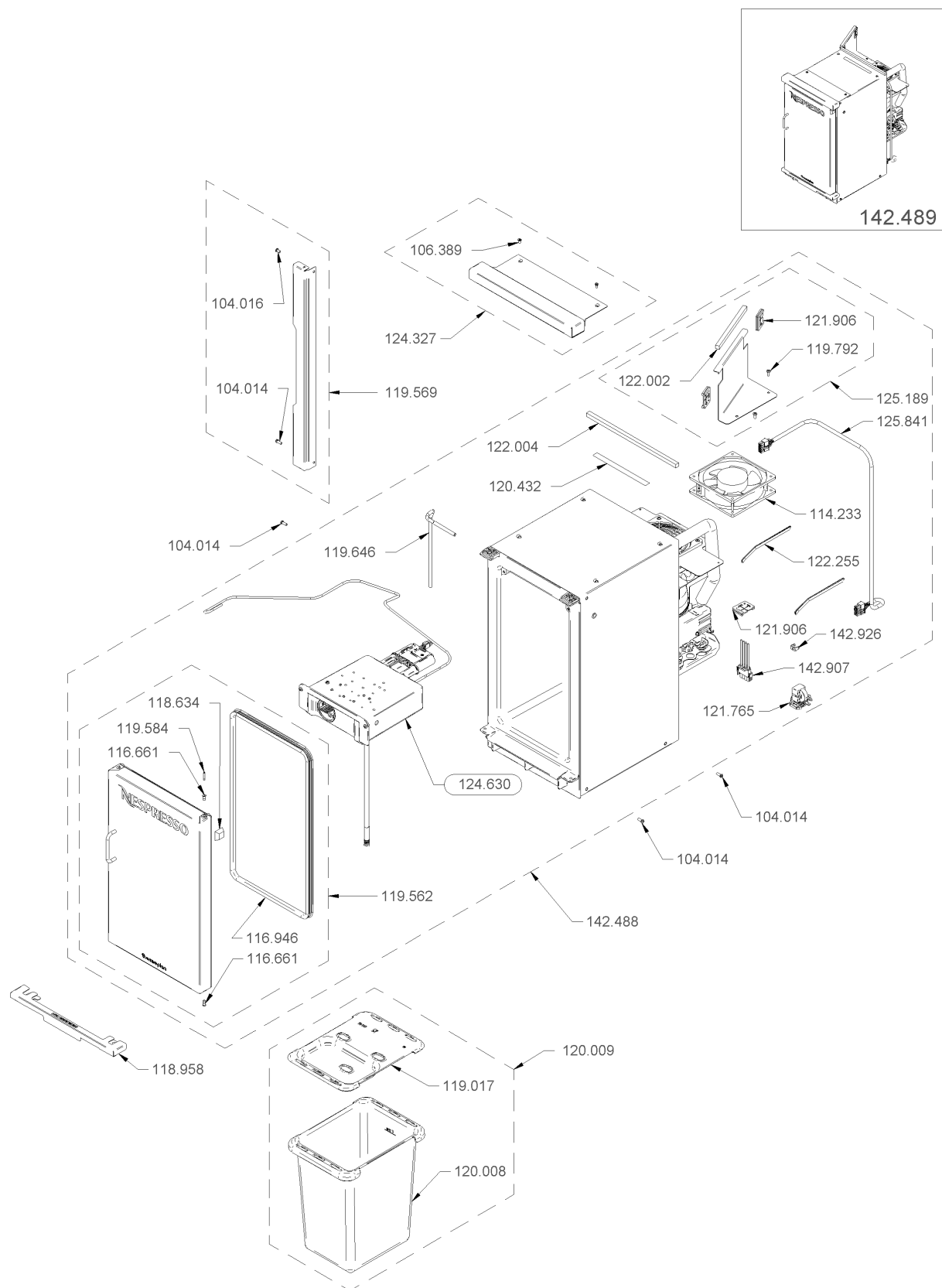
1.5.4 Drip tray Halcon



1.6 Refrigerator 115V set AG220

Article no.	Description	Quantity
104.014	Oval head Phillips combi screw M4x12	1.0
104.014	Oval head Phillips combi screw M4x12	3.0
104.016	Oval head Phillips combi screw M4x8	1.0
106.389	Countersunk screw Phillips M4x8	2.0
114.233	Axial fan 115V/60Hz 120x120x38	1.0
116.661	Door nail Refrigerator	2.0
116.946	Door seal Refrigerator BW2/BW3	1.0
118.634	Rubber buffer black	1.0
118.958	Facing panel bottom Refrigerator	1.0
119.017	Milk container cover 5L	1.0
119.562	Door assy v2 set Refrigerator	1.0
119.569	Facing panel le+ri set Refrigerator	1.0
119.584	Socket headless screw M03x18	1.0
119.646	FEP pipe ø6/4 x 300mm	1.0
119.792	Sheet screw Phillips 3.9x9.5	2.0
120.008	Milk container 5L	1.0
120.009	Milk container 5L assy.	1.0
120.432	Label "Lock out all sources"	1.0
121.765	Starting device set for LG compressor 115V	1.0
121.906	Cable grommet	1.0
121.906	Cable grommet	2.0
122.002	Sponge rubber 9x8x143mm	1.0
122.004	Sponge rubber 9x8x244mm	1.0
122.255	Edge protection profile Refriger. L=126mm	2.0
124.327	Facing panel top set RF AG220	1.0
124.630	RF-Box assy. AG220	1.0
125.189	Air deflector RF assy. AG220	1.0
125.841	Connect. cable inside Refrigerator RF-Box	1.0
142.488	Cooling assembly 115V subassy. AG220	1.0
142.907	wiring harness refrigerator with trafo	1.0
142.926	Grounding cable 680mm	1.0

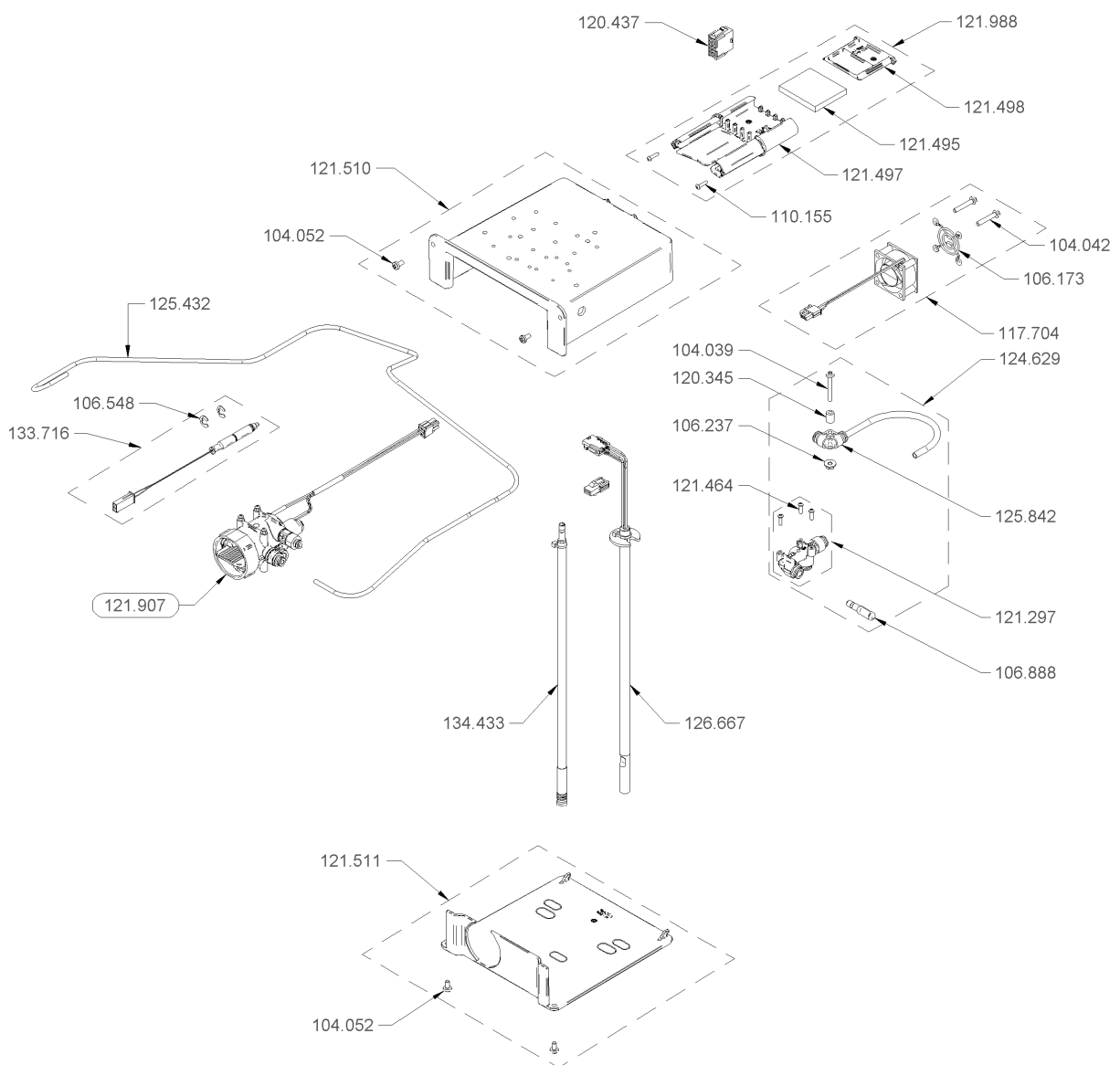
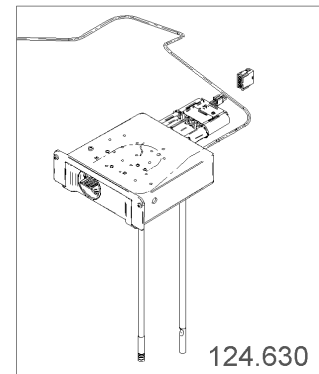
1.6 Refrigerator 115V set AG220



1.6.1 RF-Box assy. AG220

Article no.	Description	Quantity
104.039	Oval head screw Phillips M4x30	1.0
104.042	Oval head screw Phillips M4x25	2.0
104.052	Phillips screw M4x8 Eco-fix	2.0
104.052	Phillips screw M4x8 Eco-fix	2.0
106.173	Grid	1.0
106.237	Hexagonal nut M4 kombi	1.0
106.548	Circlip for shaft ø6	2.0
106.888	Cap ø6mm	1.0
110.155	PT screw KA30x12 phillips	2.0
117.704	Axial-fan 24VDC set Refriger. BW2/BW3	1.0
120.345	Distance spacer 4.2/8x10	1.0
120.437	Wiring harness RF-Box w/o v. clean. key	1.0
121.297	Connector (4-circuit conn.) set RF-Box	1.0
121.464	PT screw KA30x10 philips	3.0
121.495	Seal plate (Cable guiding RF-Box)	1.0
121.497	Cable guidage	1.0
121.498	Cabel guidage (cover)	1.0
121.510	Valve support box set	1.0
121.511	Valve support box cover set	1.0
121.907	Cleaning System v3 Milkway assy. Aguila	1.0
121.988	Cable guidage set RF-Box	1.0
124.629	Pipping set cleaning system AG220	1.0
125.432	FEP pipe ø4/2 x 1460mm	1.0
125.842	Pipping set to cleaning system AG220	1.0
126.667	Level Temp Sensor kpl.	1.0
133.716	NTC 4.0 refrigerator-air assy.	1.0
134.433	Milk suction hose assy. AG440	1.0

1.6.1 RF-Box assy. AG220



1.6.1.1 Cleaning System v3 Milkway assy. Aguila

Article no.	Description	Quantity
101.383	Seal 1/8"	2.0
101.992	Mesh for Water ø8.5mm	1.0
104.785	O-Ring 4.48x1.78 EPDM	1.0
104.788	O-Ring 5.28x1.78 EPDM	1.0
105.050	Oval head PT screw Phi. KA30x8	1.0
107.944	Hexagon socket screw plug G1/8"	1.0
120.257	O-Ring 27.5x3.00 EPDM	1.0
120.570	Pressure control valve 0.2bar assy.	1.0
120.694	Straight connector 4-1/8	1.0
120.930	Cleaning Key milkway assy.	1.0
120.931	Cleaning lock milkway set	1.0
121.308	Hydraulic plug ø8/4-G1/8" female thread	1.0
121.450	Chack valve assy. (Cleaning key)	1.0
121.464	PT screw KA30x10 philips	3.0
121.494	Diaphragm valve 2/2, ø2.0, small, assy.	1.0
121.536	Reed switch for cleaning lock milkway	1.0
132.067	Piston cleaning tab detection blue assy.	1.0

1.6.1.1 Cleaning System v3 Milkway assy. Aguila

