

Spare parts catalogue

Coffee mach. Aguila AG420/US

United States & Canada

Valid from 01.03.2014



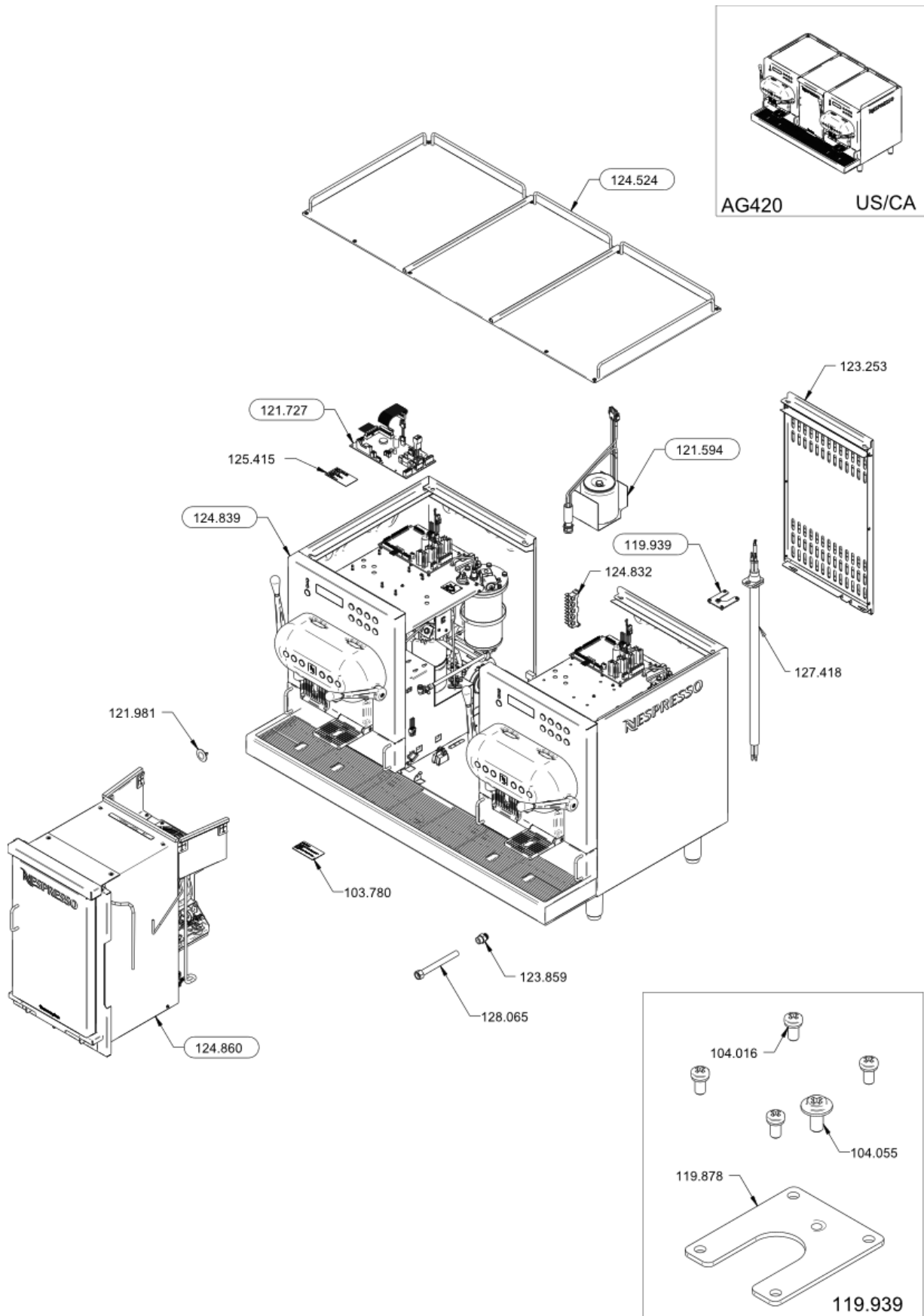
Content

1 Coffee mach. Aguila AG420/US.....	4	1.4.4.2.2.2 Milk Pump Aguila, assy.....	98
1.1 Transformer 208V-->115V 200VA set.....	6	1.4.4.2.2.2.1 Connection RB to WP with T-con. assy.	100
1.2 Control Board AUCB assy. Aguila UL.....	8	1.4.4.2.2.2.2 Cleaning block with pressreg. assy.	102
1.3 Cup tray sheet 120V assy. US.....	10	1.4.4.2.2.2.3 Milk Pump inox with motor assy.....	104
1.4 Aguila Basis US	12	1.4.4.2.2.2.3.1 3/2 mini solenoid valve, assy.	106
1.4.1 Frame floor board set cUL	14	1.4.4.2.2.3 Milk Tea/Boiler, 230V assy.....	108
1.4.1.1 Water supply assy.....	16	1.4.4.2.2.3.1 Solenoid valve 2/2, ø1.1, small NFC	110
1.4.1.2 Solenoid valve 2/2 assy.	18	1.4.4.2.3 Support valve assy.....	112
1.4.2 Water pump, assy. AG420.....	20	1.4.4.2.3.1 Diaphragm valve Hyd.Mod BW2v2/BW3	114
1.4.3 Machine unit left AG420 US.....	22	1.4.4.2.3.2 Solenoid valve 3/2, ø1.1, small NFC..	116
1.4.3.1 Machine unit US.....	24	1.4.4.2.4 Top support, assy.....	118
1.4.3.1.1 Base of machinemodul, assy.	26	1.4.4.2.5 Front, assy.	120
1.4.3.1.1.1 B2B Horeca left assy.....	28	1.4.4.2.5.1 Keys with Display, assy.....	122
1.4.3.1.1.2 B2B BU Horeca right assy.	30	1.4.4.2.5.2 Doublehead, assy.	124
1.4.3.1.1.3 Coffee Boiler, assy.....	32	1.4.4.2.5.3 Cup support, assy.	126
1.4.3.1.1.3.1 Solenoid valve 3/2, ø1.1, small NFC	34	1.4.5 Grounds drawer assy.....	128
1.4.3.1.1.4 Flowmeter ø4-1/4, ø1.15, set.....	36	1.4.6 Drip tray assy.	130
1.4.3.1.1.5 Diaphragm valve 2/2, ø2.0, small, assy.	38	1.4.7 Frame front set drip tray.....	132
1.4.3.1.2 Middle support, assy.	40	1.5 Refrigerator 115V set Aguila US.....	134
1.4.3.1.2.1 Diaphragm valve Hyd.Mod BW2v2/BW3	42	1.5.1 RF-Box assy. v3 Aguila double milk hose...	136
1.4.3.1.2.2 Milk Pump Aguila, assy.	44	1.5.1.1 Cleaning System v3 Milkway assy. Aguila	138
1.4.3.1.2.2.1 Connection RB to WP with T-con. assy.	46		
1.4.3.1.2.2.2 Cleaning block with pressreg. assy.	48		
1.4.3.1.2.2.3 Milk Pump inox with motor assy.....	50		
1.4.3.1.2.2.3.1 3/2 mini solenoid valve, assy.	52		
1.4.3.1.2.3 Milk Tea/Boiler, 230V assy.....	54		
1.4.3.1.2.3.1 Solenoid valve 2/2, ø1.1, small NFC	56		
1.4.3.1.3 Support valve assy.....	58		
1.4.3.1.3.1 Diaphragm valve Hyd.Mod BW2v2/BW3	60		
1.4.3.1.3.2 Solenoid valve 3/2, ø1.1, small NFC..	62		
1.4.3.1.4 Top support, assy.....	64		
1.4.3.1.5 Front, assy.	66		
1.4.3.1.5.1 Keys with Display, assy.....	68		
1.4.3.1.5.2 Doublehead, assy.	70		
1.4.3.1.5.3 Cup support, assy.	72		
1.4.4 Machine unit right AG420 US.....	74		
1.4.4.1 Solenoid valve 3/2, ø1.4, small set	76		
1.4.4.2 Machine unit US.....	78		
1.4.4.2.1 Base of machinemodul, assy.	80		
1.4.4.2.1.1 B2B Horeca left assy.....	82		
1.4.4.2.1.2 B2B BU Horeca right assy.	84		
1.4.4.2.1.3 Coffee Boiler, assy.....	86		
1.4.4.2.1.3.1 Solenoid valve 3/2, ø1.1, small NFC	88		
1.4.4.2.1.4 Flowmeter ø4-1/4, ø1.15, set.....	90		
1.4.4.2.1.5 Diaphragm valve 2/2, ø2.0, small, assy.	92		
1.4.4.2.2 Middle support, assy.	94		
1.4.4.2.2.1 Diaphragm valve Hyd.Mod BW2v2/BW3	96		

1 Coffee mach. Aguila AG420/US

Article no.	Description	Quantity
103.780	Label "..comply w. plumbing code"	1
104.016	Oval head Phillips combi screw M4x8	4
104.055	Oval head screw M5x10 Phillips	1
119.878	Support electricpower 3xAWG8	1
119.939	Support electricpower 3xAWG8 set	1
121.594	Transformer 208V-->115V 200VA set	1
121.727	Control Board AUCB assy. Aguila UL	1
121.981	Stop-cap HEYCO 22-25.5	1
123.253	Rear wall refrigerator assy. UL	1
123.859	Adapter G3/8 BSPP - 9/16 UNEF	1
124.524	Cup tray sheet 120V assy. US	1
124.832	Wiring harness 208V supply US	1
124.839	Aguila Basis US	1
124.860	Refrigerator 115V set Aguila US	1
125.415	Type label Aguila supplement french	1
127.418	Cord 3xAWG8 1.8m, assy.	1
128.065	Reinfor. water hose, coated 3/8-3/8, 2m	2

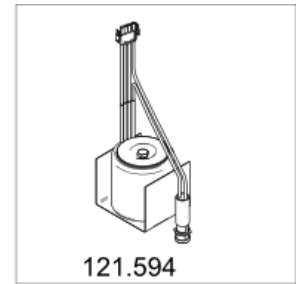
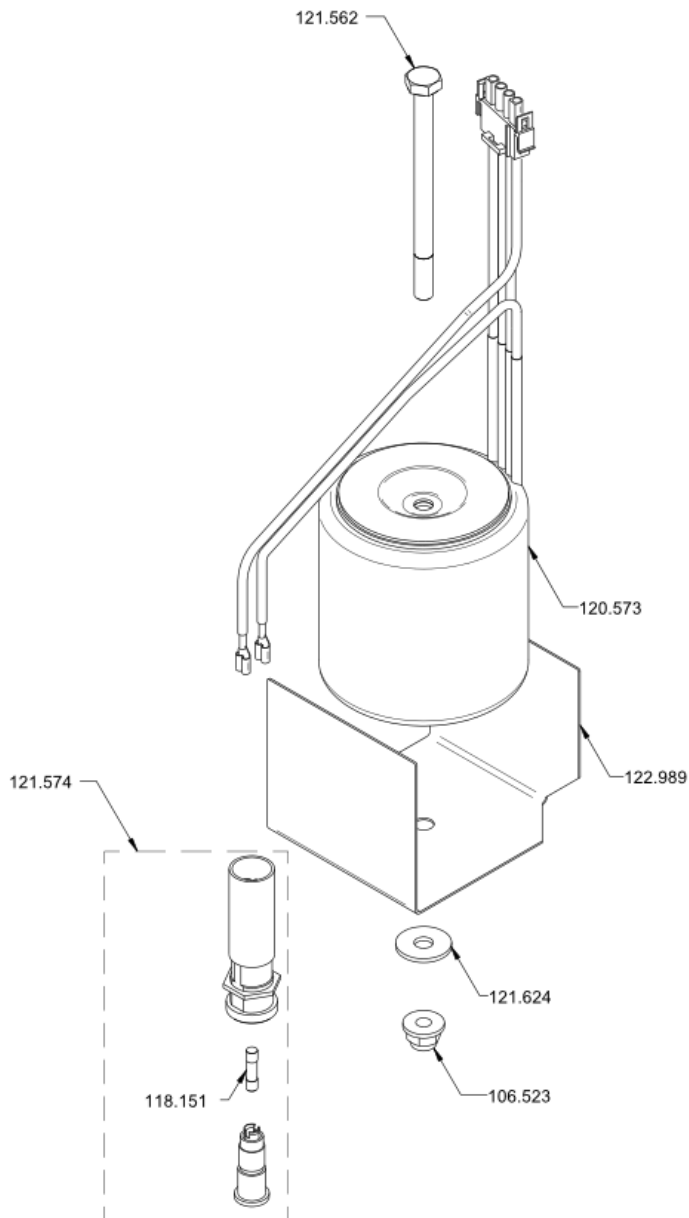
1 Coffee mach. Aguila AG420/US



1.1 Transformer 208V-->115V 200VA set

Article no.	Description	Quantity
106.523	Prevailing torque hex nut M8 with flange	1
118.151	Fuse T4A H250V 5x20mm	1
120.573	Transformer 208V-> 115V 200VA kpl.	1
121.562	Hexagon head cup screw M8x110	1
121.574	Fuse holder FUL 4A assy.	1
121.624	Flat washer M8	1
122.989	Trafohousing Aguila	1

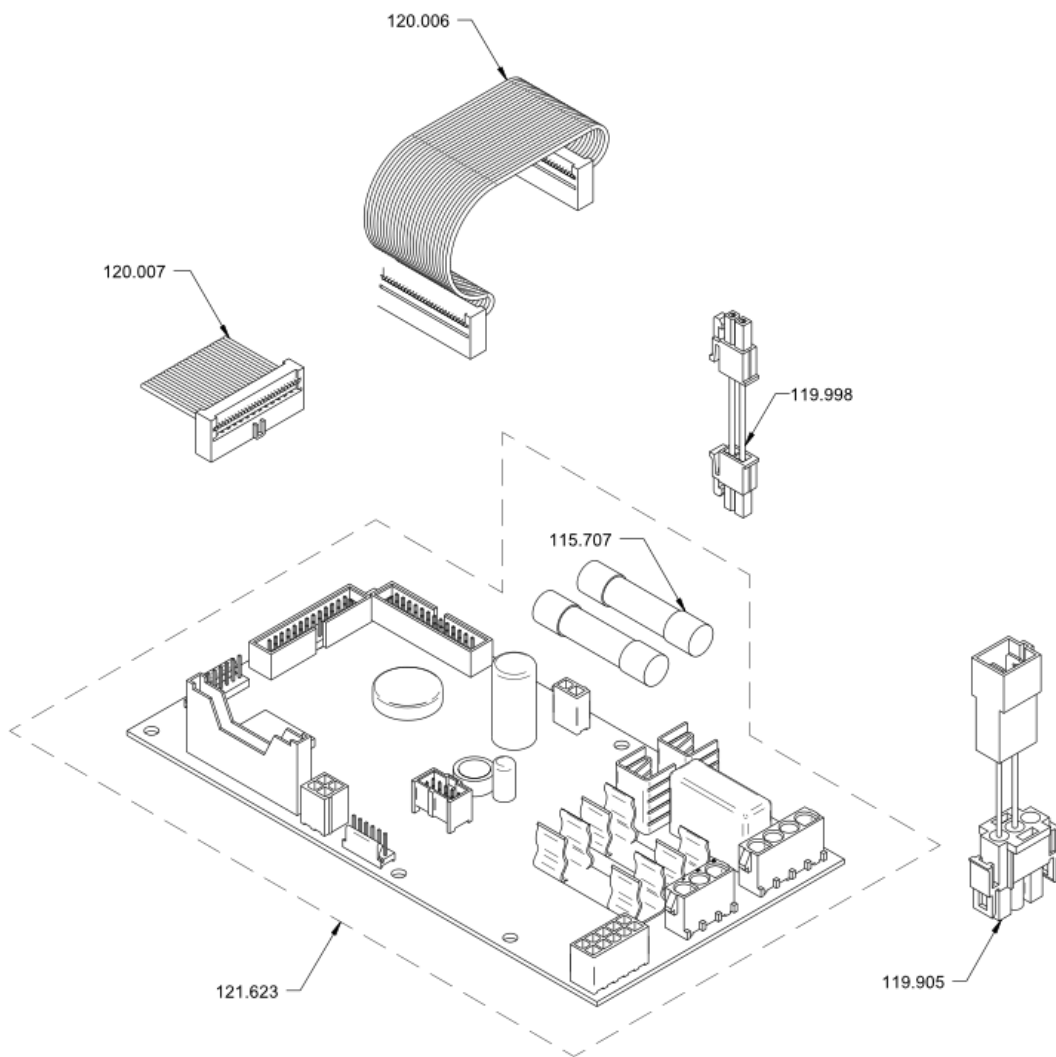
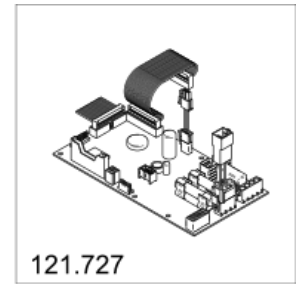
1.1 Transformer 208V-->115V 200VA set



1.2 Control Board AUCB assy. Aguila UL

Article no.	Description	Quantity
115.707	Fuse 10X40/8A	2
119.905	Cable power supply Aguila	1
119.998	Cable 24V supply short Aguila	1
120.006	Ribbon cable short 26p Aguila	1
120.007	Ribbon cable round 26p Aguila	1
121.623	Control Board AUCB Aguila UL	1

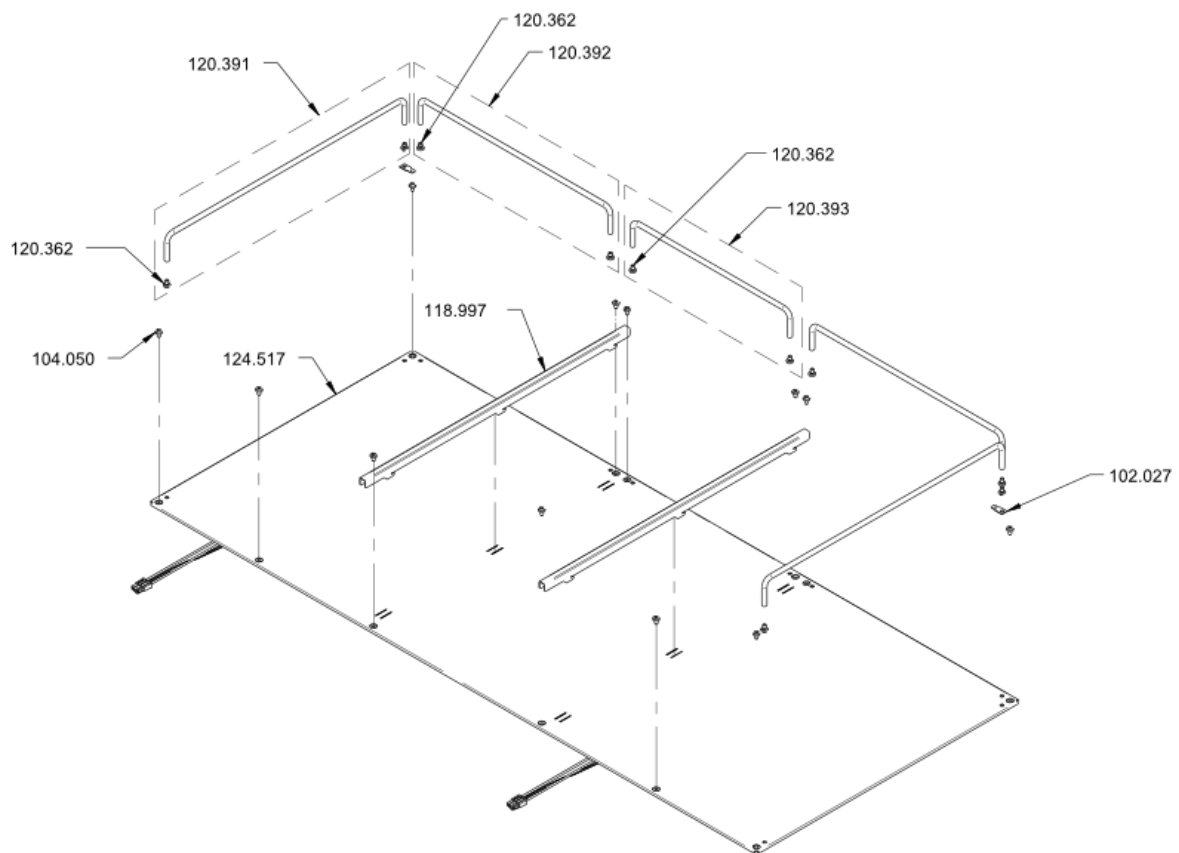
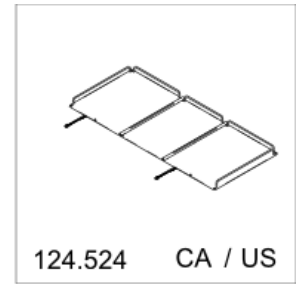
1.2 Control Board AUCB assy. Aguila UL



1.3 Cup tray sheet 120V assy. US

Article no.	Description	Quantity
102.027	Faston 6.3x0.8mm (ø4.3)	2
104.050	Oval head screw Phillips H M4x6	12
118.997	Partition profile	2
120.362	Oval head screw M4x6 Tuflok	2
120.362	Oval head screw M4x6 Tuflok	2
120.362	Oval head screw M4x6 Tuflok	2
120.391	Cups holding clamp long set	2
120.392	Cups holding clamp short set	2
120.393	Cups holding clamp RF set	1
124.517	Cup tray sheet with cup heater 120V UL	1

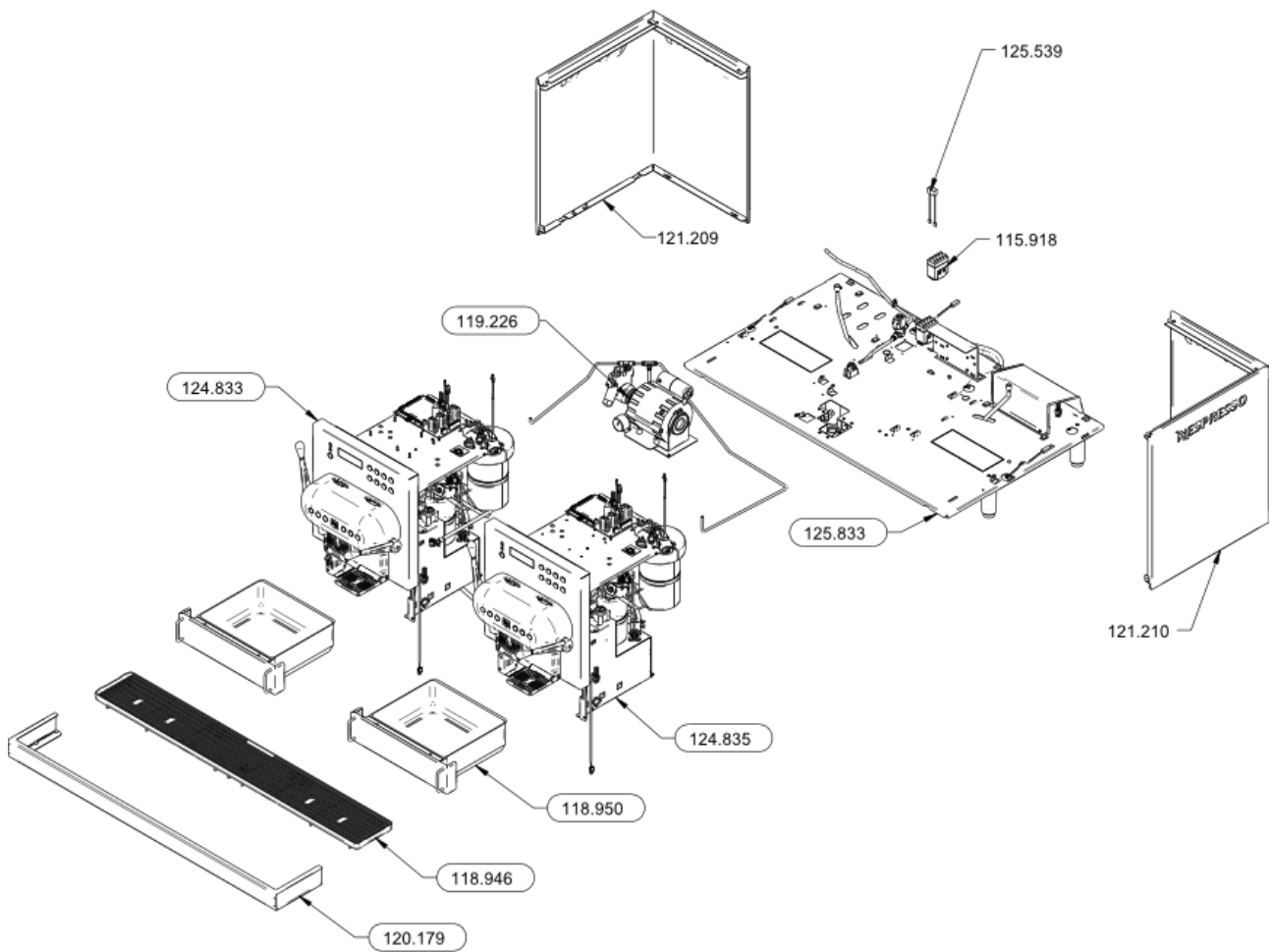
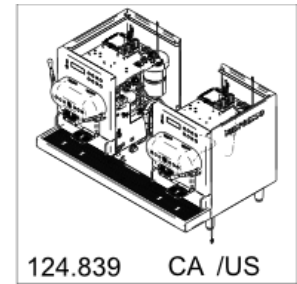
1.3 Cup tray sheet 120V assy. US



1.4 Aguila Basis US

Article no.	Description	Quantity
115.918	Relais 4+1 25A with assembly kit	1
118.946	Drip tray assy.	1
118.950	Grounds drawer assy.	2
119.226	Water pump, assy. AG420	1
120.179	Frame front set drip tray	1
121.209	Outer sheet left assy.	1
121.210	Outer sheet right assy.	1
124.833	Machine unit left AG420 US	1
124.835	Machine unit right AG420 US	1
125.539	RC combination on relais	1
125.833	Frame floor board set cUL	1

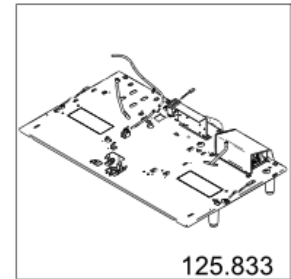
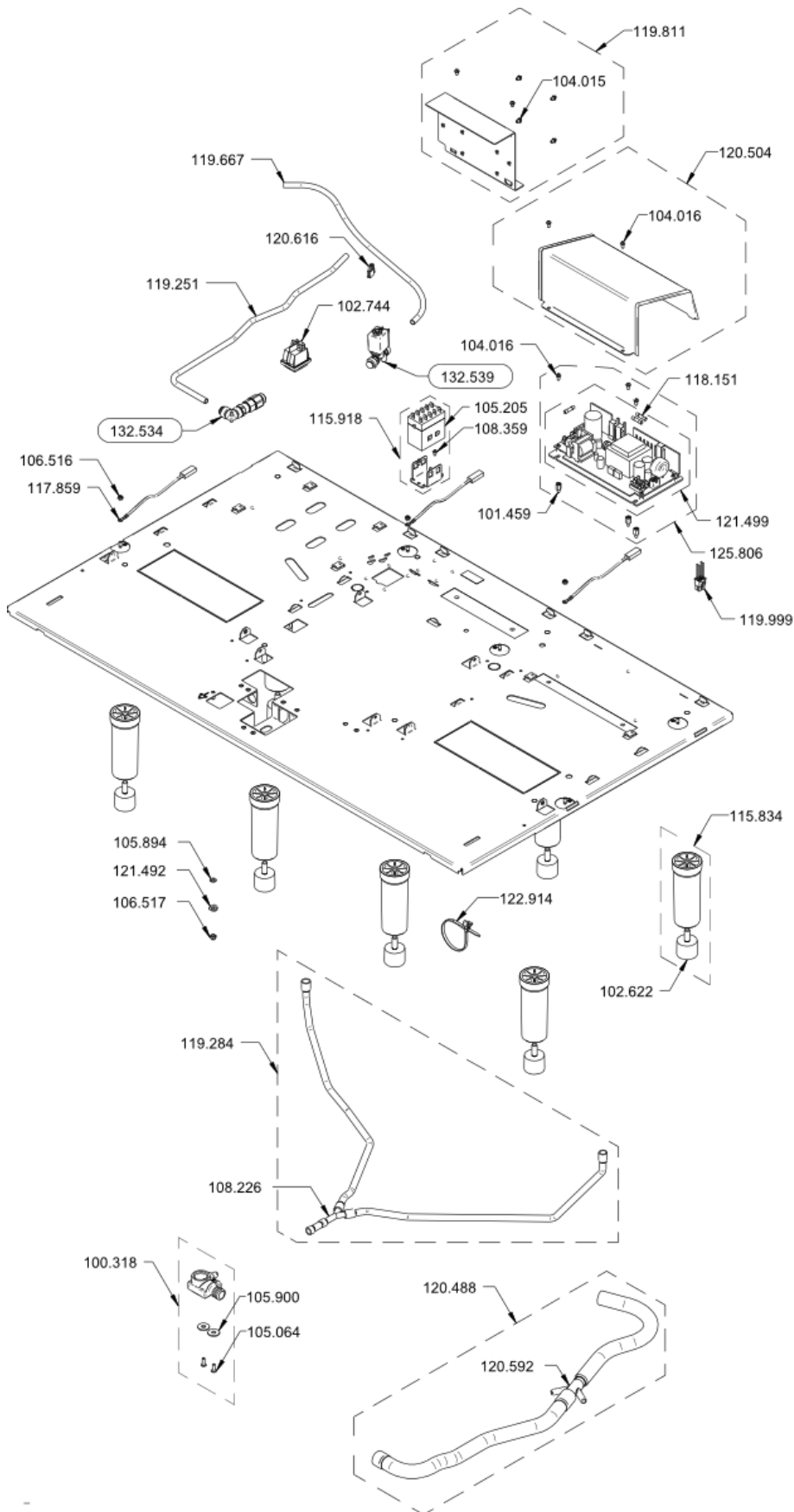
1.4 Aguila Basis US



1.4.1 Frame floor board set cUL

Article no.	Description	Quantity
100.318	Drain connection, assembly	1
101.459	Hexagonal spacer M4x10	3
102.622	Rundbuffer ø30x17/M8x20	1
102.744	Main power switch	1
104.015	Phillips combi screw M04x06	6
104.016	Oval head Phillips combi screw M4x8	2
104.016	Oval head Phillips combi screw M4x8	3
104.016	Oval head Phillips combi screw M4x8	2
105.064	Oval head PT screw w. washer Phi KA40x12	2
105.205	Relay 4+1 25A	1
105.894	Washer M5	1
105.900	Flat washer M6	2
106.516	Lock nut M4	3
106.517	Lock nut M5	1
108.226	Y-branch connection ø8	1
108.359	Socket flat head screw M4x6	2
115.834	Frame leg NSF assy.	8
115.918	Relais 4+1 25A with assembly kit	1
117.859	Grounding cable 180mm	3
118.151	Fuse T4A H250V 5x20mm	1
119.251	Pipe FEP ø8/6 x 470mm	1
119.284	Drain piping assy.	1
119.667	FEP pipe ø8/6 x 360mm	1
119.811	Attachment sheet terminal box	1
119.999	Cable 24V supply Aguila	1
120.488	Drain pipe set	1
120.504	Cover switching power supply set	1
120.592	Y-Fitting expiration	1
120.616	Wiring harness water inlet valve	1
121.492	Retaining washer M5	1
121.499	Switching power supply 230V/24V 250W	1
122.914	Cable tie with clip 165mm	1
125.806	Switching power supply cUL set	1
132.534	Water supply assy.	1
132.539	Solenoid valve 2/2 assy.	1

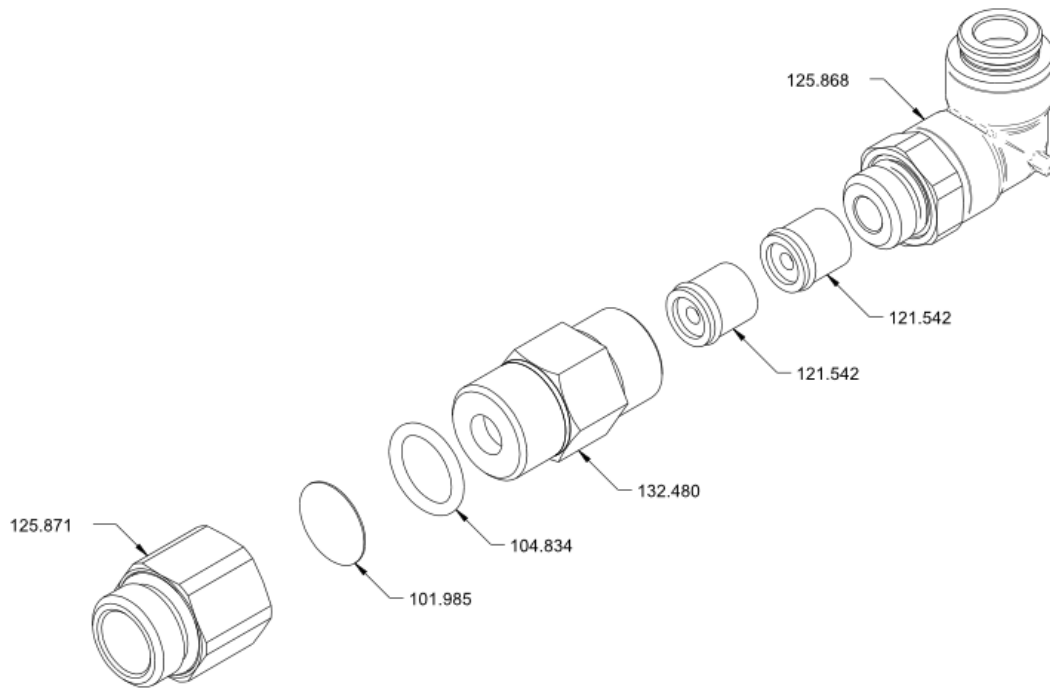
1.4.1 Frame floor board set cUL



1.4.1.1 Water supply assy.

Article no.	Description	Quantity
101.985	Filter water 3/8"	1
104.834	O-Ring 12.00x2.00 NBR 70.5/P5F	1
121.542	RV-Patrone DW10	2
125.868	Elbow connector 8-1/4	1
125.871	Reduction nipple 3/8-3/8	1
132.480	Reducer fitting 3/8x1/4 NFC	1

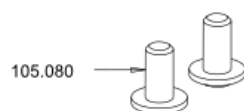
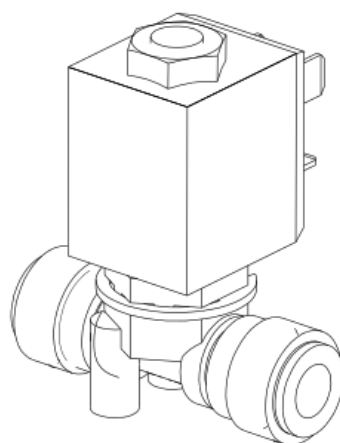
1.4.1.1 Water supply assy.



1.4.1.2 Solenoid valve 2/2 assy.

Article no.	Description	Quantity
105.080	PT Phillips screw KA40 x 08	2

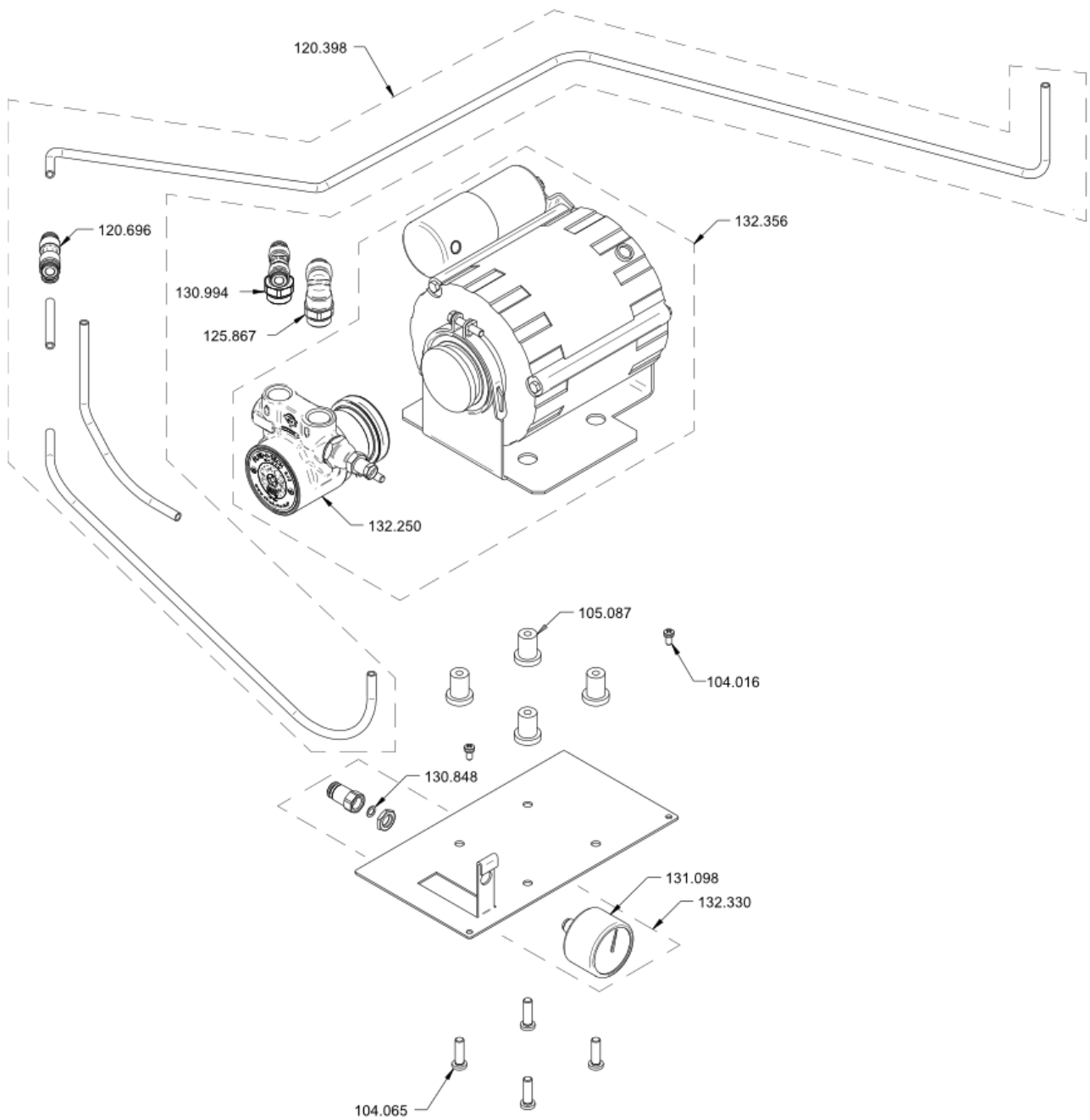
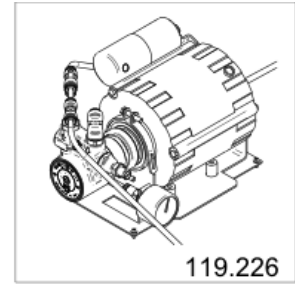
1.4.1.2 Solenoid valve 2/2 assy.



1.4.2 Water pump, assy. AG420

Article no.	Description	Quantity
104.016	Oval head Phillips combi screw M4x8	2
104.065	Oval head screw Phillips M6x18	4
105.087	Buffer M6	4
120.398	Water pump tube set AG420	1
120.696	T-connector 6-6	1
125.867	Elbow connector 8-3/8	1
130.848	Gasket $\varnothing 8/5 \times 0.5$	1
130.994	T-fitting 6-3/8	1
131.098	Manometer INOX with adjustment 0-16 bar	1
132.250	Water pump	1
132.330	Pressure gauge inox 16 bar assy.	1
132.356	Water pump with motor	1

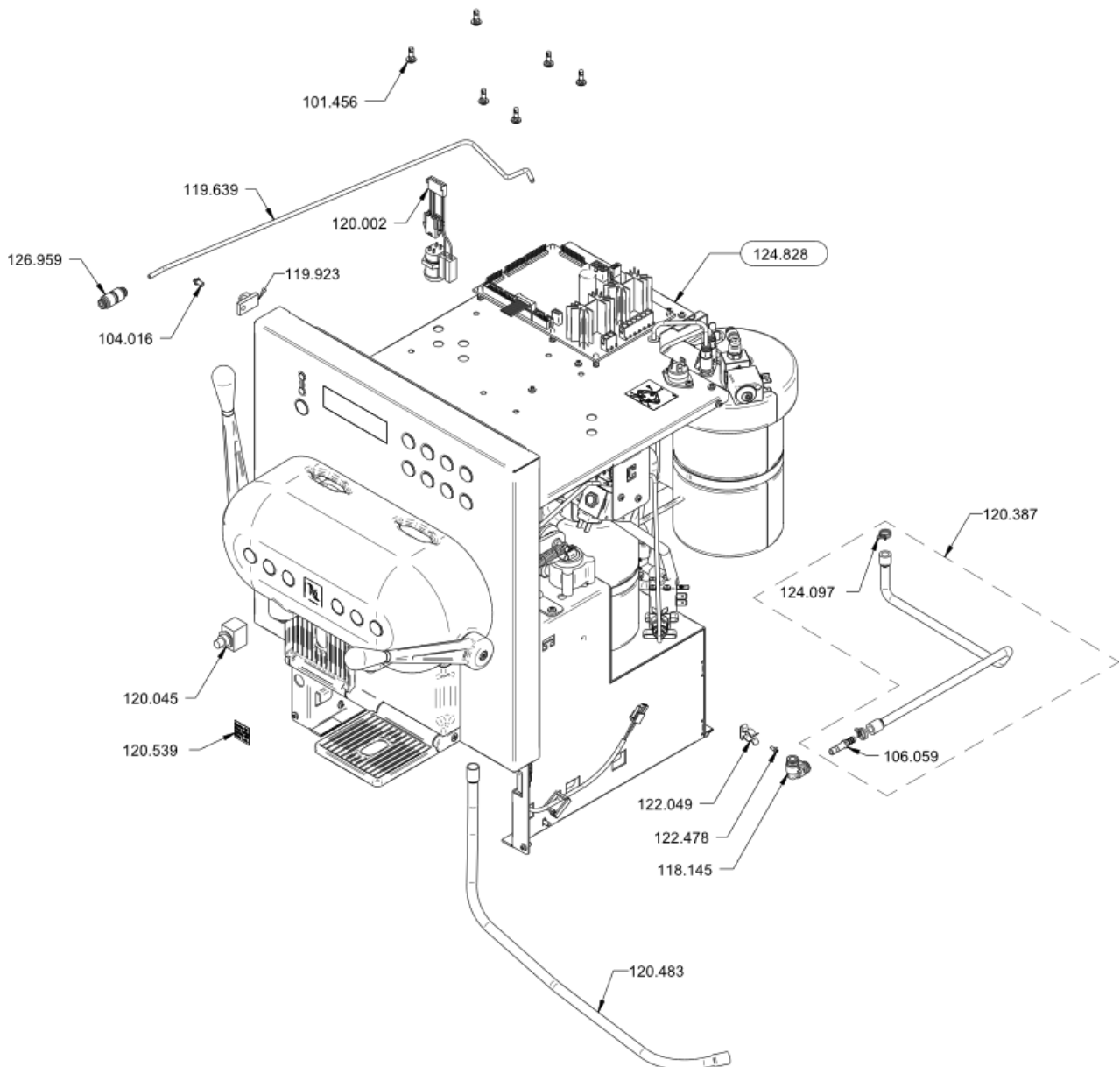
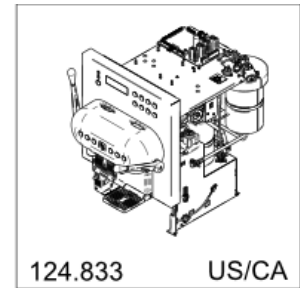
1.4.2 Water pump, assy. AG420



1.4.3 Machine unit left AG420 US

Article no.	Description	Quantity
101.456	Deck support piece ø5.5x8mm	6
104.016	Oval head Phillips combi screw M4x8	1
106.059	Coupling ø6	1
118.145	Angle plug connection 6-6 PVDF	1
119.639	FEP pipe ø4/2 x 390mm	1
119.923	Cable clip ø6	1
120.002	Key switch with cable	1
120.045	Pushbutton M12x0.75	1
120.387	Milk pressure tube Machine unit I. set	1
120.483	Silicone hose ø10/7 x 420mm	1
120.539	Sticker "Power Button"	1
122.049	Tool clip 80-10-2.5	1
122.478	Phillips screw M2.5x06	1
124.097	Clip for silicone hose ø9.6mm	2
124.828	Machine unit US	1
126.959	Straight connector 4-4	1

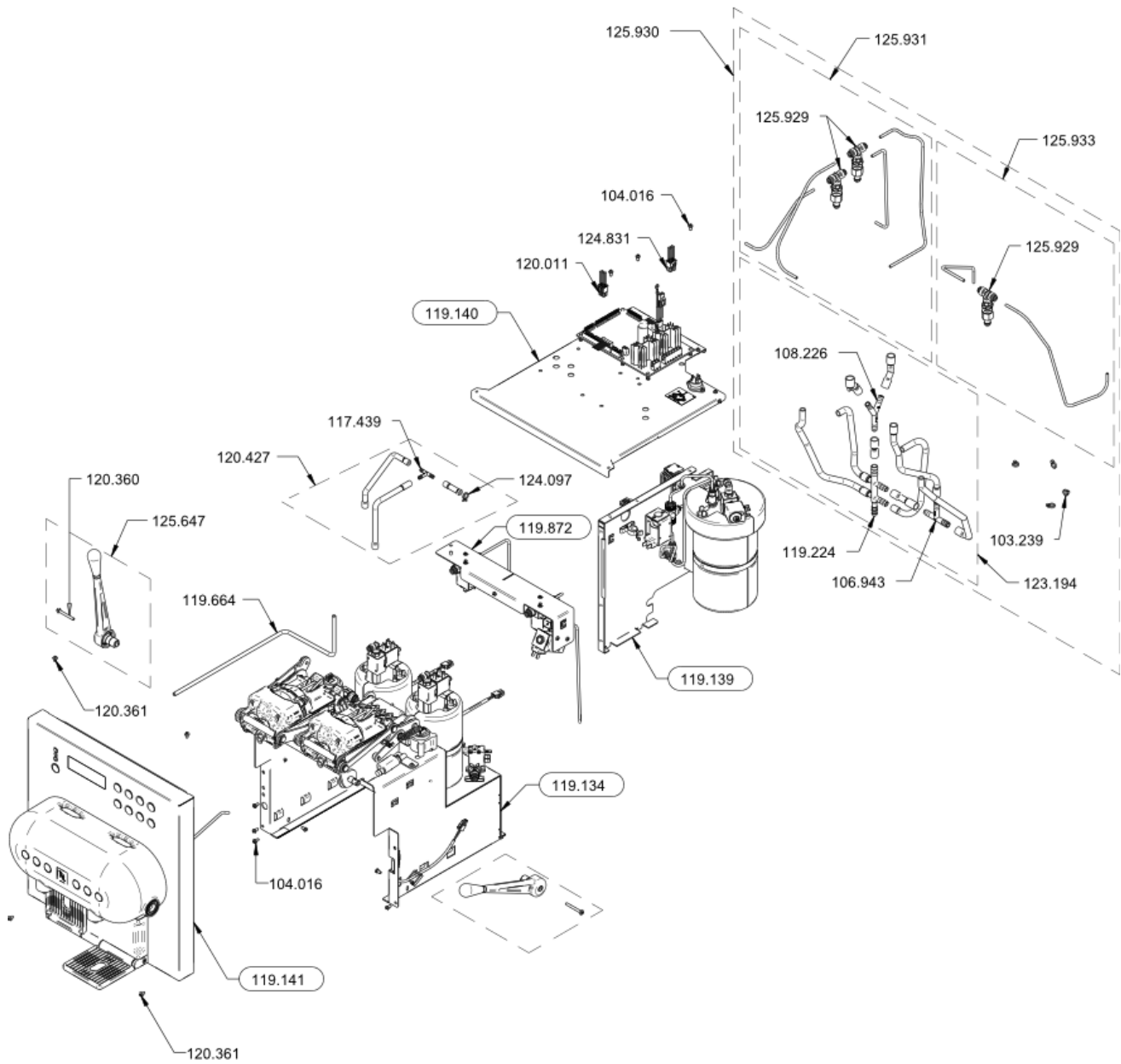
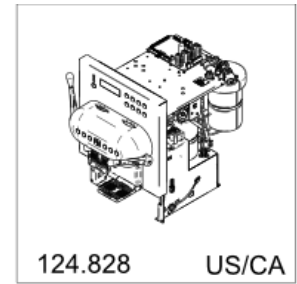
1.4.3 Machine unit left AG420 US



1.4.3.1 Machine unit US

Article no.	Description	Quantity
103.239	Binding with fixing (large white)	4
104.016	Oval head Phillips combi screw M4x8	9
106.943	T-connection	1
108.226	Y-branch connection ø8	1
117.439	T-Connector (POM) for tube ø4mm	1
119.134	Base of machinemodul, assy.	1
119.139	Middle support, assy.	1
119.140	Top support, assy.	1
119.141	Front, assy.	1
119.224	Distributor 6x	1
119.664	FEP pipe ø6/4 x 400mm	1
119.872	Support valve assy.	1
120.011	Wiring harness signals Aguila	1
120.360	Oval head screw M4x35 Tuflok	1
120.361	Oval head screw M4x6 Tuflok	4
120.427	Piping set Air mini-valve	1
123.194	Piping set preassembly kpl.	1
124.097	Clip for silicone hose ø9.6mm	1
124.831	Wiring harness module 208V Aguila US	1
125.647	Lever Zamak set	2
125.929	Pressure control valve 16.5 bar set	1
125.929	Pressure control valve 16.5 bar set	2
125.930	Piping set distributor sixfold assy.	1
125.931	Piping set check valve	1
125.933	Piping set check valve	1

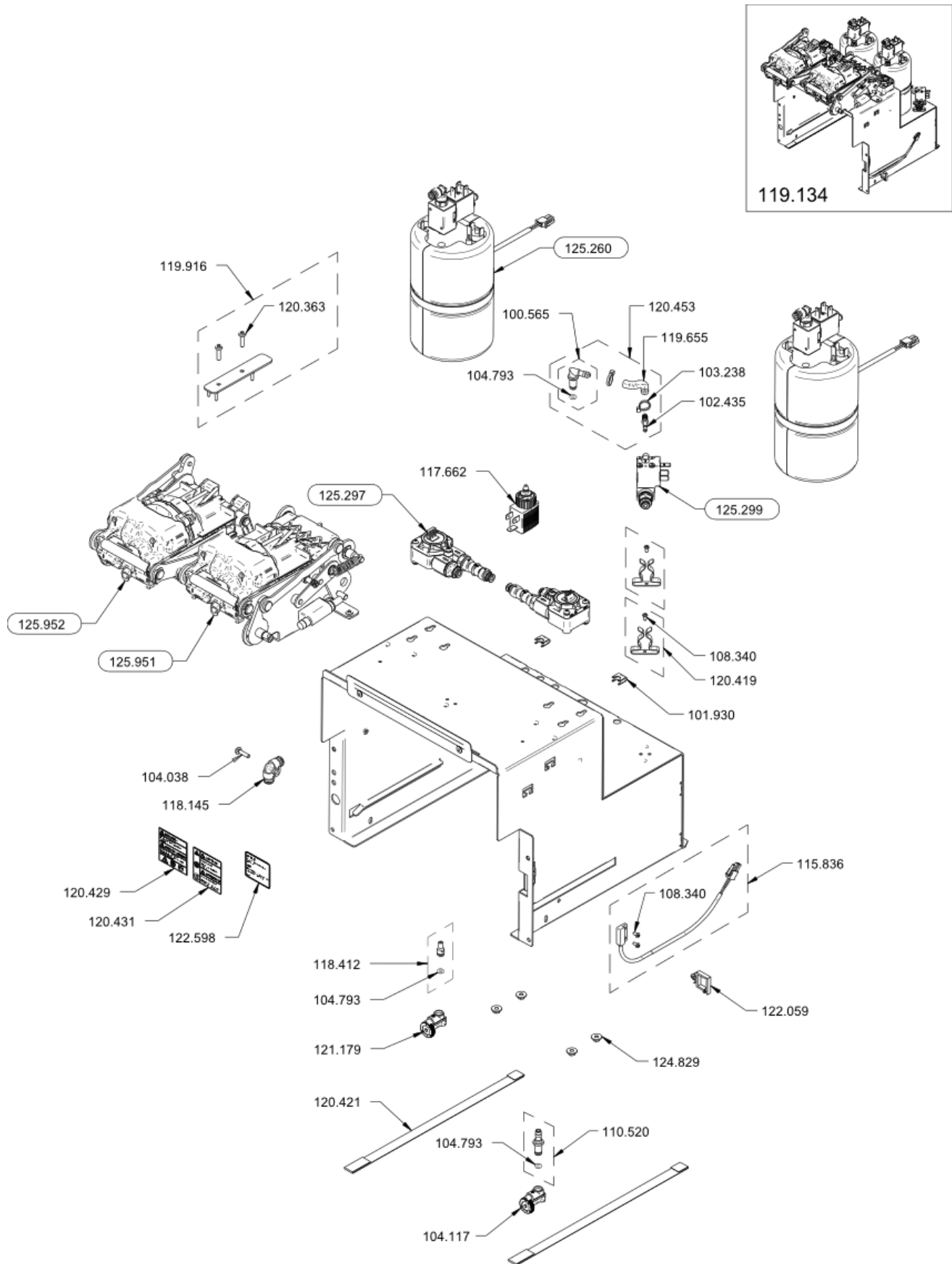
1.4.3.1 Machine unit US



1.4.3.1.1 Base of machinemodul, assy.

Article no.	Description	Quantity
100.565	Angle connection, assembly	1
101.930	Spring clip	2
102.435	Straight connection ø4	1
103.238	Cable tie 85/22	2
104.038	Oval head screw Phillips M4x16	1
104.117	Air regulator red 0.0mm	1
104.793	O-Ring 5.00x1.50 MVQ	1
104.793	O-Ring 5.00x1.50 MVQ	1
104.793	O-Ring 5.00x1.50 MVQ	1
108.340	Cheese head screw Phillips M3x6	2
108.340	Socket head screw M3x6 Phillips	1
110.520	Connection Nipple straight + O-Ring	1
115.836	Reed switch with screws	1
117.662	Air mini-valve	1
118.145	Angle plug connection 6-6 PVDF	1
118.412	Support air regulator assy.	1
119.655	Silicone hose ø8.5/4 x 50mm	1
119.916	Sheet support set (Brewing unit)	1
120.363	Screw phillips M4x16 Tuflok	2
120.419	Tool clip set 80-16-3	2
120.421	Slide tape 13x 310mm	2
120.429	Label "Electric shock hazard"	1
120.431	Label "Burn hazard"	1
120.453	Piping set drain valve	1
121.179	Air regulator blue 0.0mm	1
122.059	Cable clip with anchor	1
122.598	Sticker pump Aguila	1
124.829	Hex nuts with flange and serrations M04	4
125.260	Coffee Boiler, assy.	2
125.297	Flowmeter ø4-1/4, ø1.15, set	2
125.299	Diaphragm valve 2/2, ø2.0, small, assy.	1
125.951	B2B BU Horeca right assy.	1
125.952	B2B Horeca left assy.	1

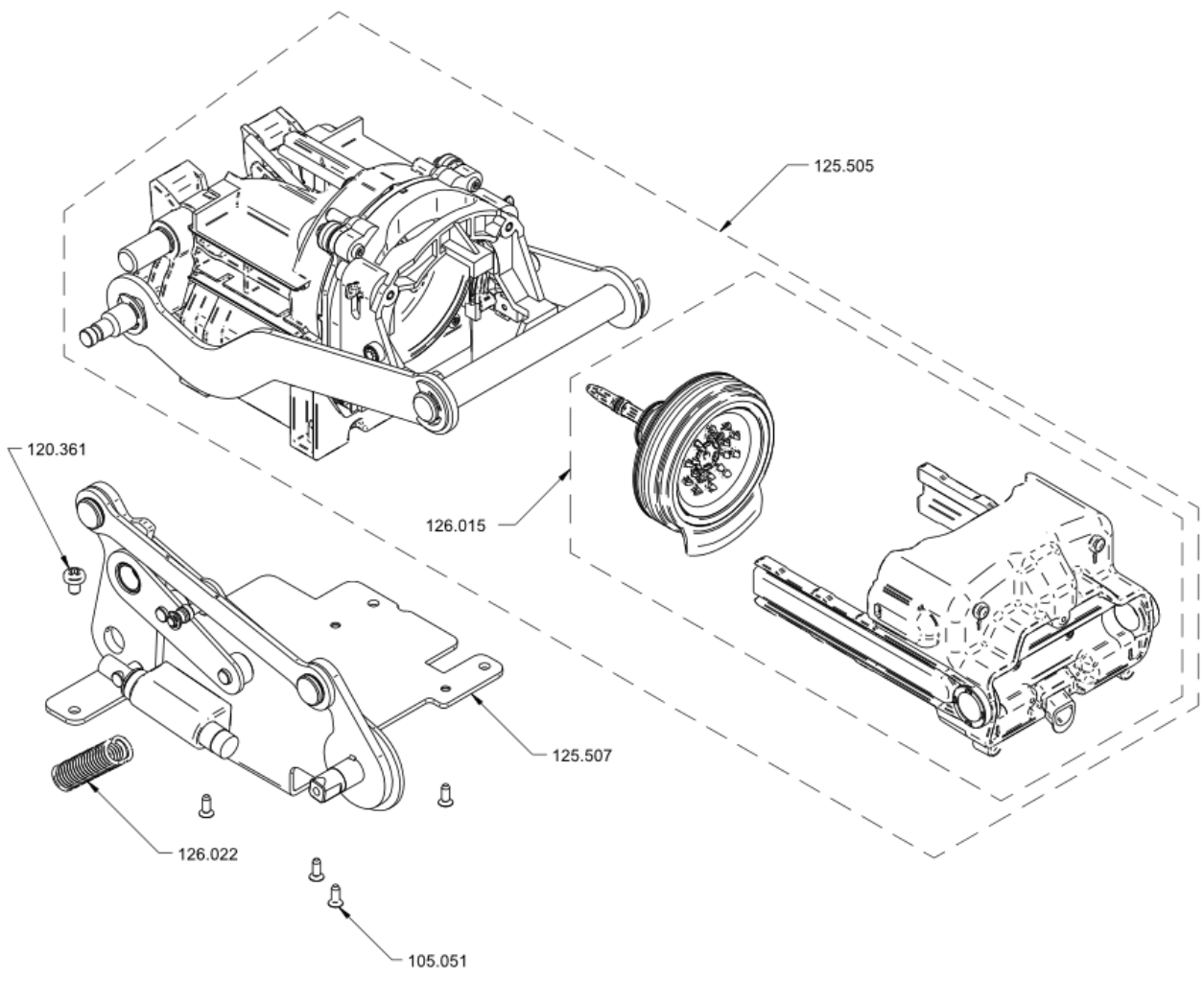
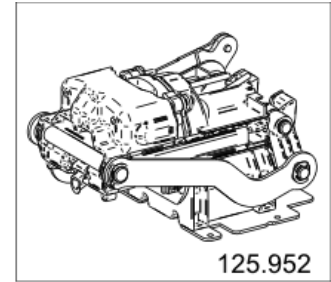
1.4.3.1.1 Base of machinemodul, assy.



1.4.3.1.1.1 B2B Horeca left assy.

Article no.	Description	Quantity
105.051	Countersunk PT screw Phillips KA30x8	4
120.361	Oval head screw M4x6 Tuflok	1
125.505	B2B BU Horeca left	1
125.507	Bearing carrier sheet assy. left Horeca	1
126.015	BU Maintenance Kit	1
126.022	Spring for BU Horeca	1

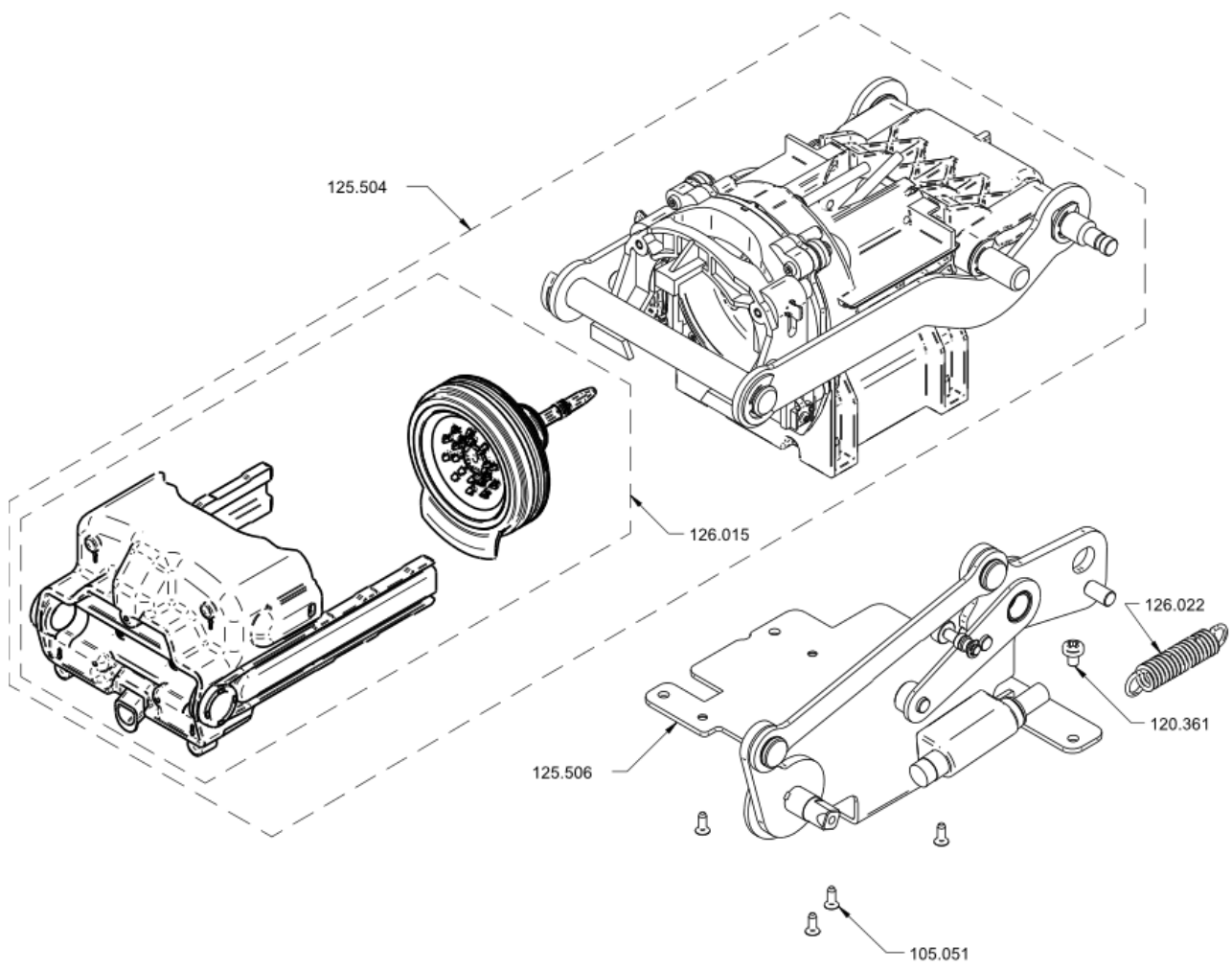
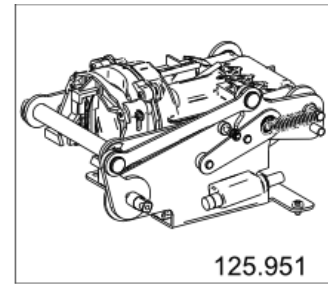
1.4.3.1.1.1 B2B Horeca left assy.



1.4.3.1.1.2 B2B BU Horeca right assy.

Article no.	Description	Quantity
105.051	Countersunk PT screw Phillips KA30x8	4
120.361	Oval head screw M4x6 Tuflok	1
125.504	B2B BU Horeca right	1
125.506	Bearing carrier sheet assy. right Horeca	1
126.015	BU Maintenance Kit	1
126.022	Spring for BU Horeca	1

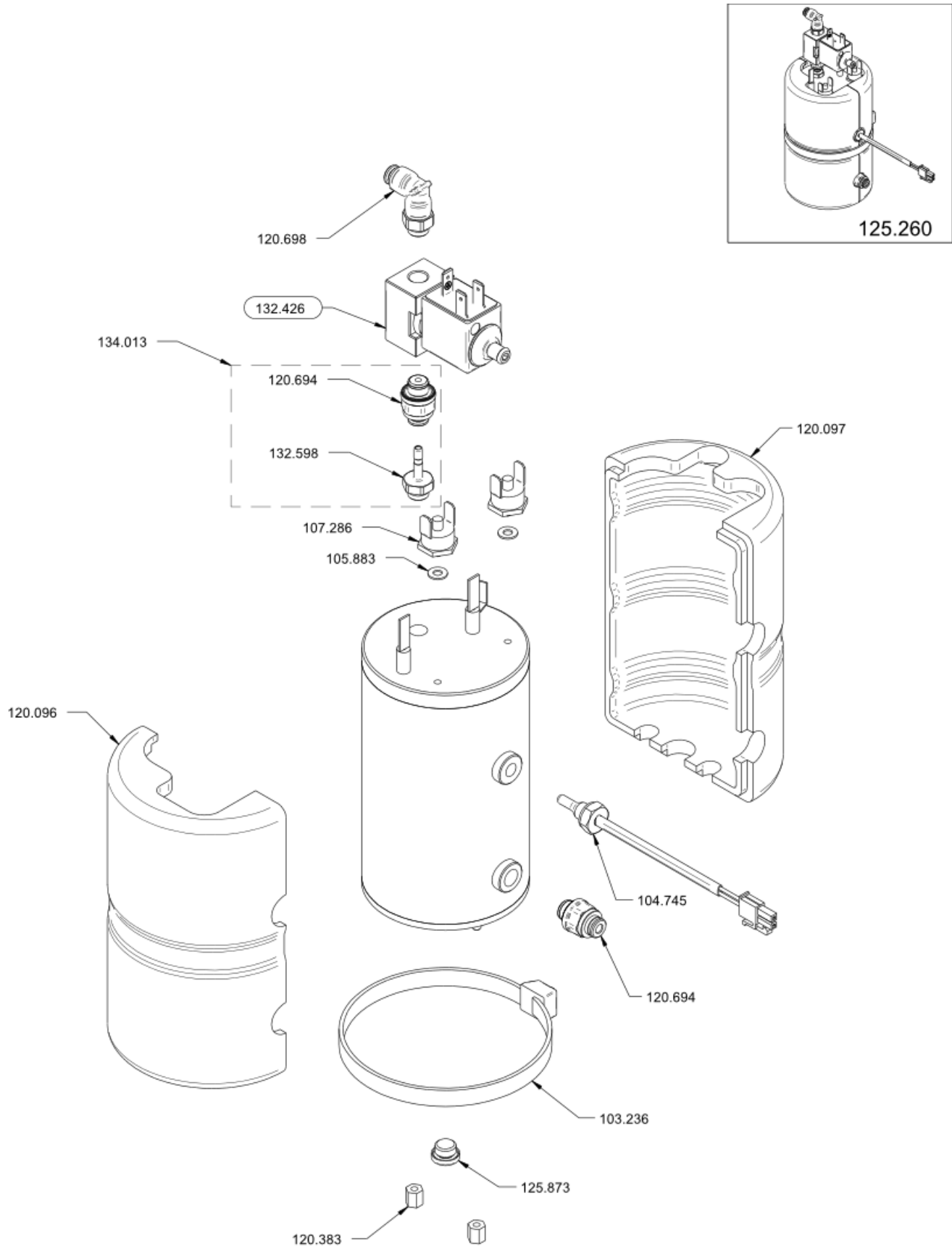
1.4.3.1.1.2 B2B BU Horeca right assy.



1.4.3.1.3 Coffee Boiler, assy.

Article no.	Description	Quantity
103.236	Cable tie 530x8.9	1
104.745	NTC sensor for boiler, assembly	1
105.883	Flat washer M4	2
107.286	Thermal security 125°C HM	2
120.096	Isolating coffee boiler left	1
120.097	Isolating coffee boiler right	1
120.383	Hexagonal spacer M4x8	2
120.694	Straight connector 4-1/8	1
120.698	Elbow connector 4-1/8	1
125.873	Drain plug G1/8	1
132.426	Solenoid valve 3/2, ø1.1, small NFC	1
132.598	Straight screwed coupling 4-1/8	1
134.013	Straight connector set	1

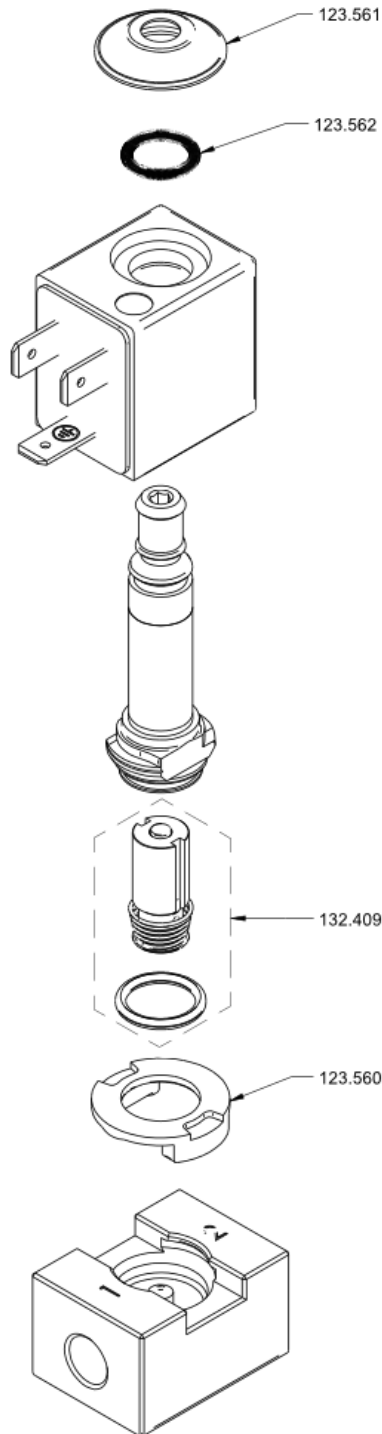
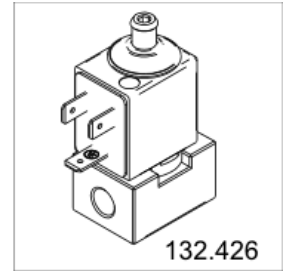
1.4.3.1.1.3 Coffee Boiler, assy.



1.4.3.1.1.3.1 Solenoid valve 3/2, ø1.1, small NFC

Article no.	Description	Quantity
123.560	Supporting ring	1
123.561	Protection cap	1
123.562	Spring to magnet valve	1
132.409	Plunger kit 3/2 NFC	1

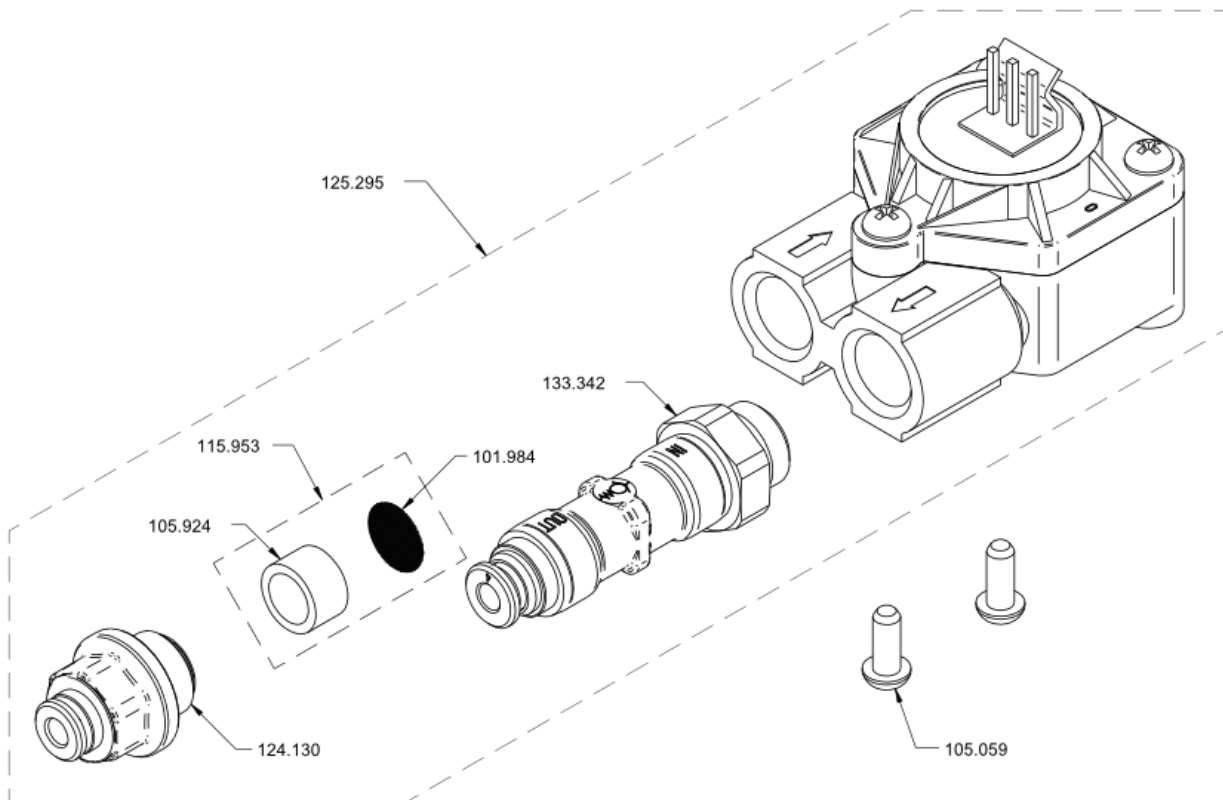
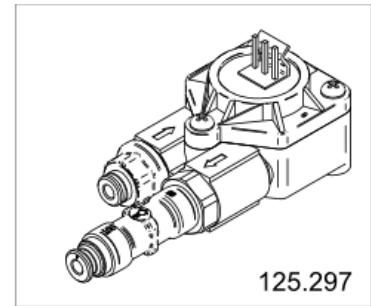
1.4.3.1.1.3.1 Solenoid valve 3/2, ϕ 1.1, small NFC



1.4.3.1.1.4 Flowmeter \varnothing 4-1/4, \varnothing 1.15, set

Article no.	Description	Quantity
101.984	Filter for flowmeter 1/4	1
105.059	Oval head PT screw Phillips KA40x10	2
105.924	Sleeve	1
115.953	Water strainer flowmeter	1
124.130	Straight fitting 4-1/4	1
125.295	Flowmeter \varnothing 4-1/4, \varnothing 1.15, assy.	1
133.342	Check valve \varnothing 4-1/4	1

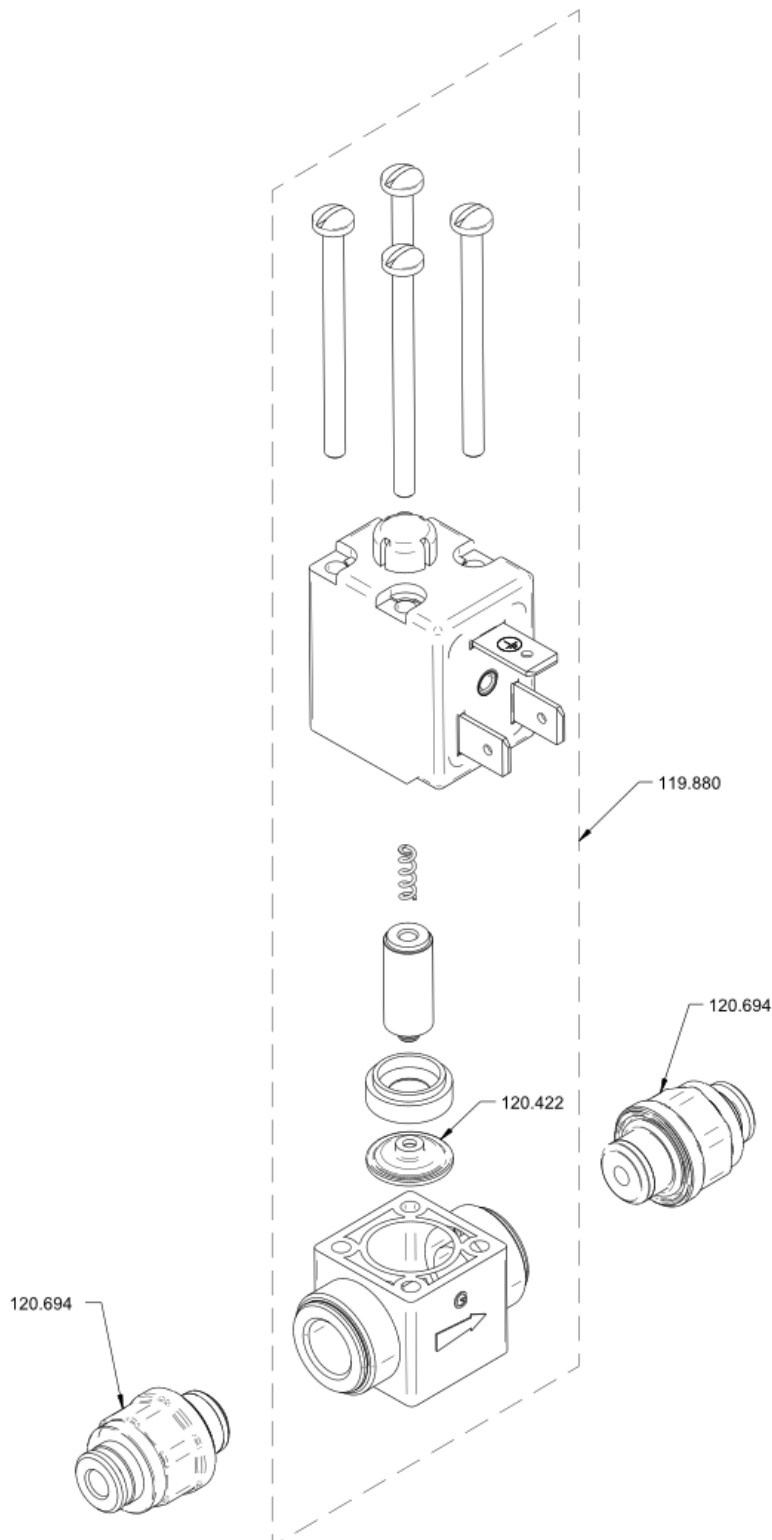
1.4.3.1.1.4 Flowmeter $\varnothing 4-1/4$, $\varnothing 1.15$, set



1.4.3.1.1.5 Diaphragm valve 2/2, ø2.0, small, assy.

Article no.	Description	Quantity
119.880	Diaphragm valve 2/2, ø2.0, small	1
120.422	Diaphragm	1
120.694	Straight connector 4-1/8	2

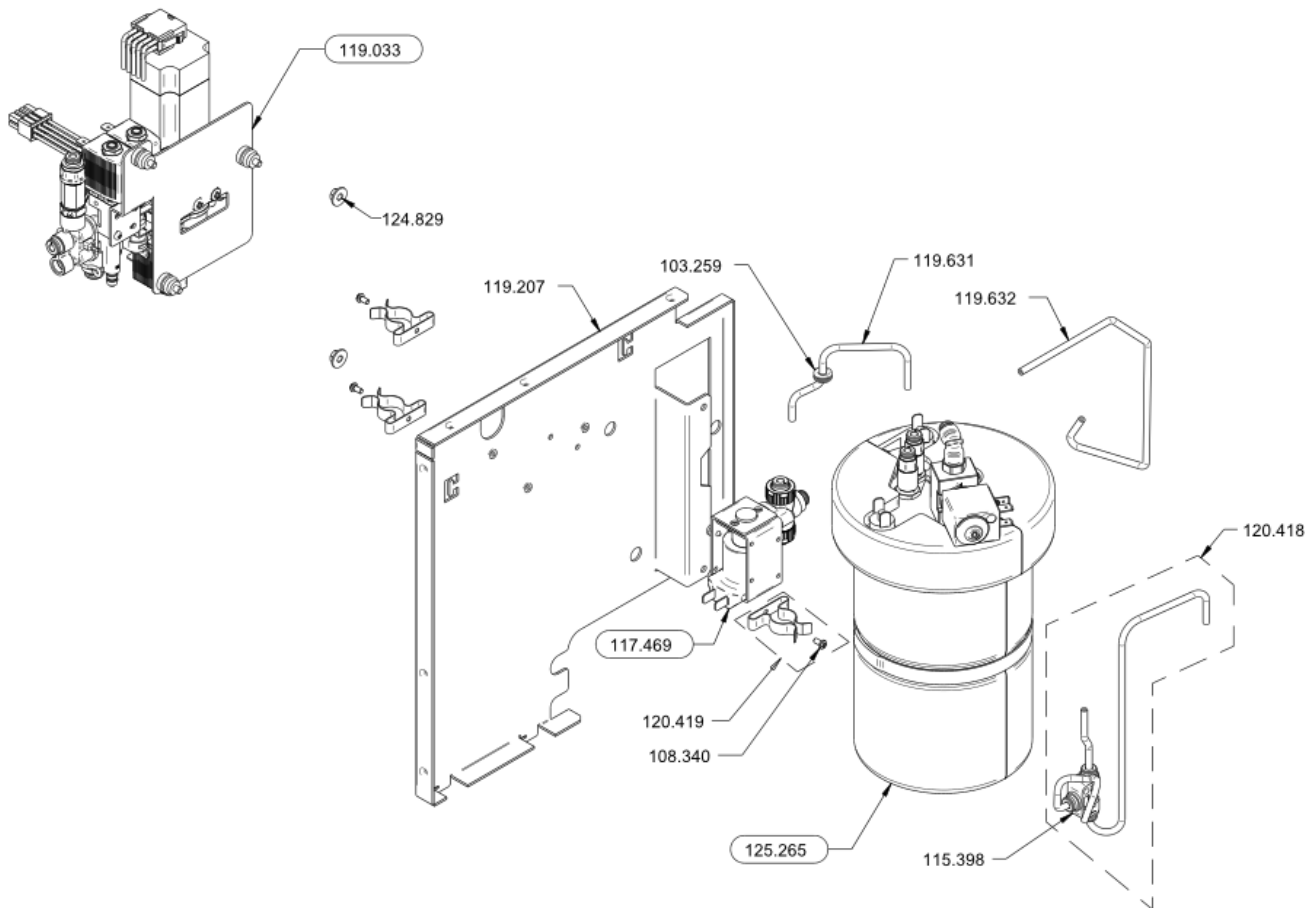
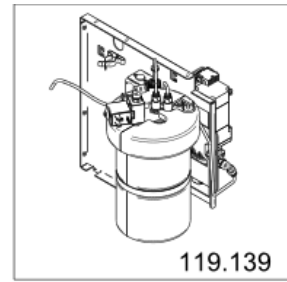
1.4.3.1.1.5 Diaphragm valve 2/2, $\varnothing 2.0$, small, assy.



1.4.3.1.2 Middle support, assy.

Article no.	Description	Quantity
103.259	Cable bushing $\varnothing 11/8 \times 5.5$	1
108.340	Socket head screw M3x6 Phillips	1
115.398	T-connector 4-4	1
117.469	Diaphragm valve Hyd.Mod BW2v2/BW3	1
119.033	Milk Pump Aguila, assy.	1
119.207	Middle support	1
119.631	FEP pipe $\varnothing 4/2 \times 140\text{mm}$	1
119.632	Pipe FEP $\varnothing 4/2 \times 180\text{mm}$	1
120.418	Piping set milk	1
120.419	Tool clip set 80-16-3	3
124.829	Hex nuts with flange and serrations M04	2
125.265	Milk Tea/Boiler, 230V assy.	1

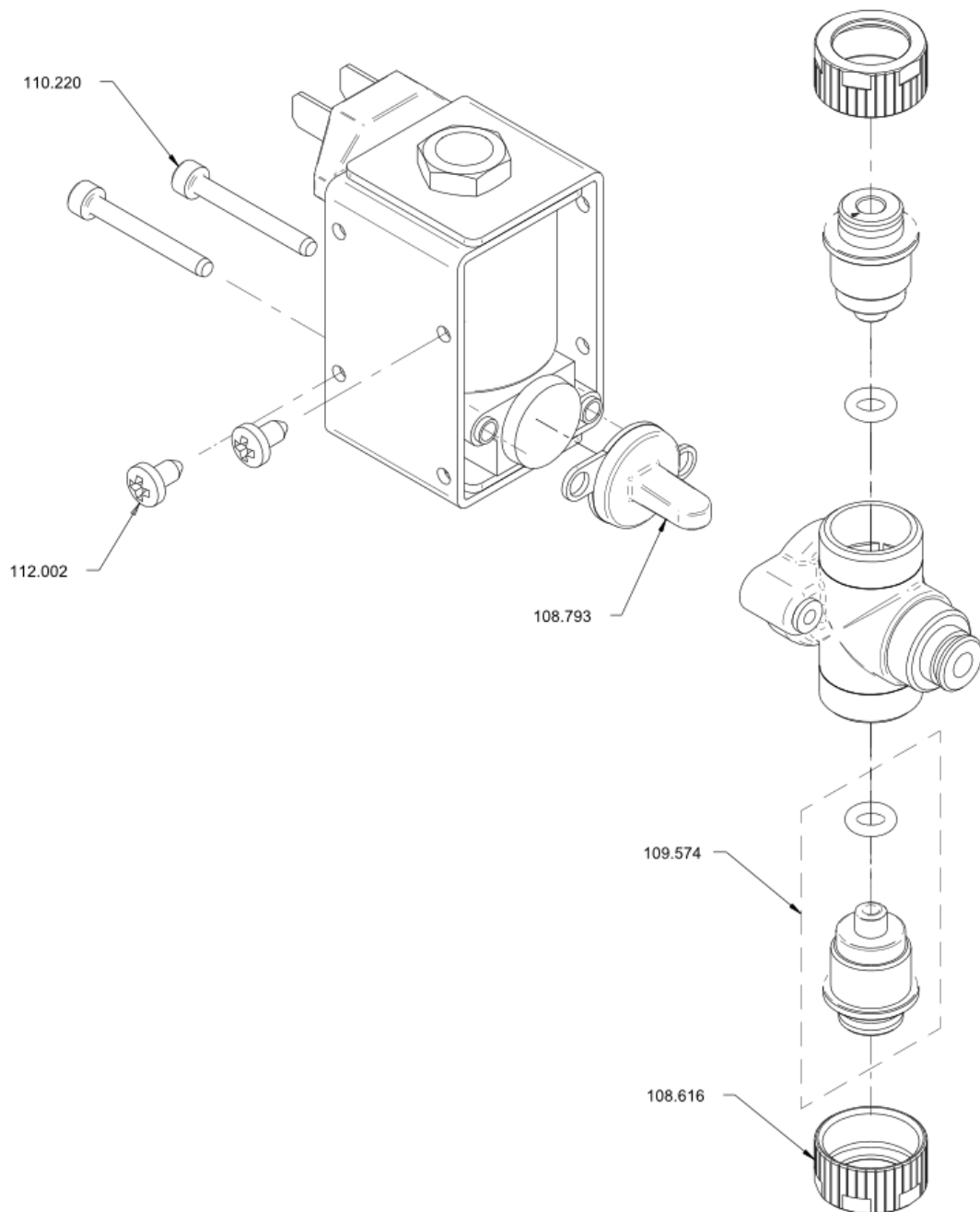
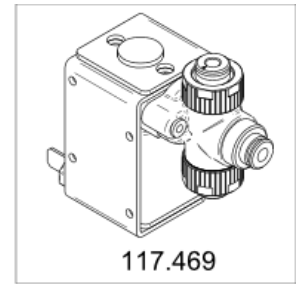
1.4.3.1.2 Middle support, assy.



1.4.3.1.2.1 Diaphragm valve Hyd.Mod BW2v2/BW3

Article no.	Description	Quantity
108.616	Grooved nut diaphragm valve	2
108.793	Diaphragma	1
109.574	Insert Valve Magma ø4 with O-ring	2
110.220	Socket head screw M3x25	2
112.002	Phillips sheet screw ST 3.5x6.5	2

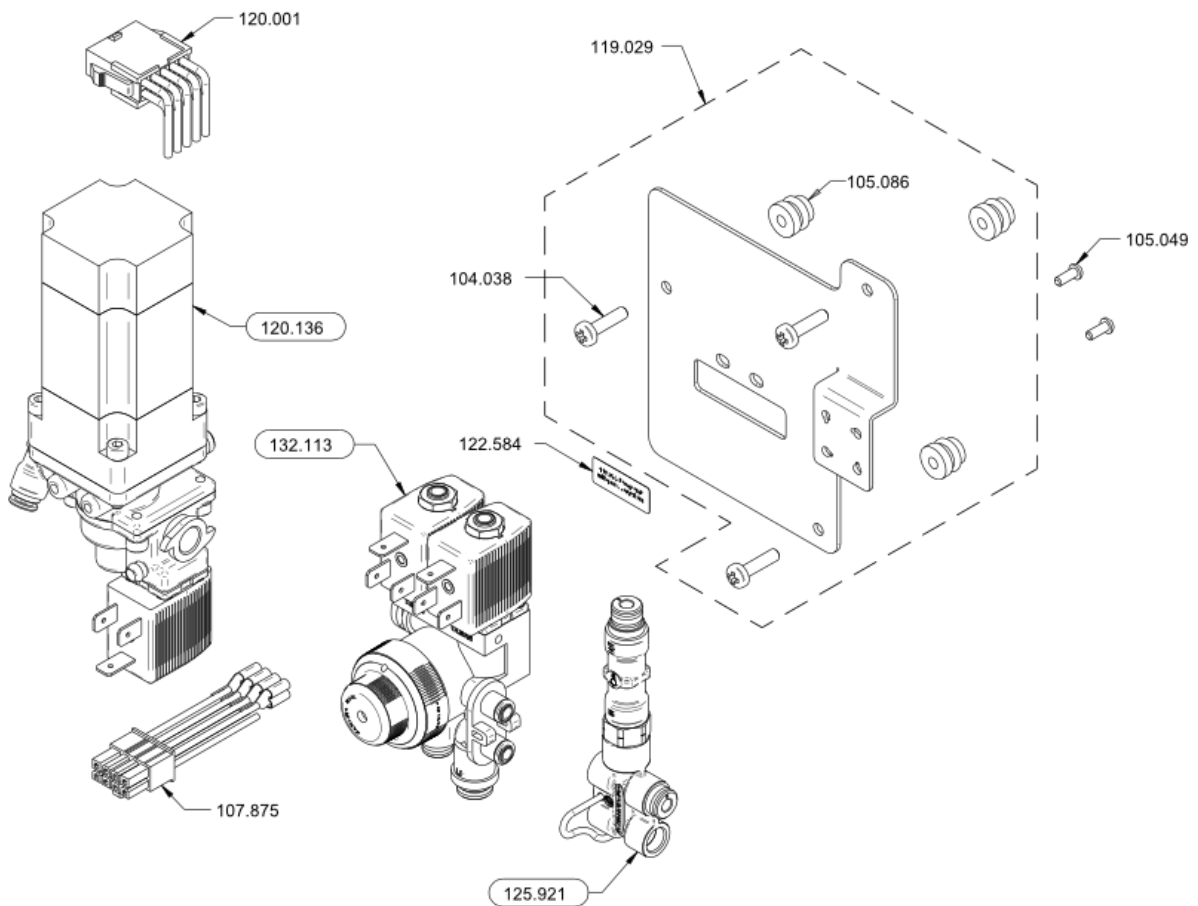
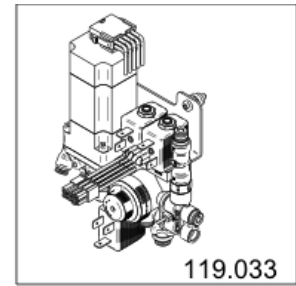
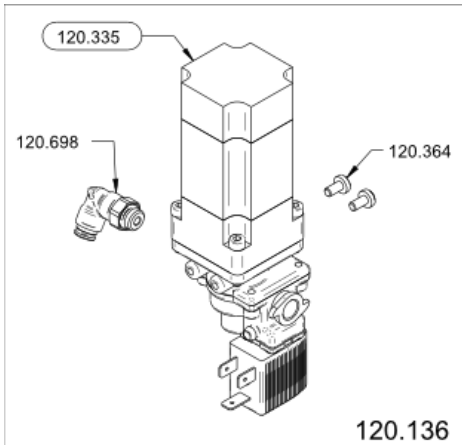
1.4.3.1.2.1 Diaphragm valve Hyd.Mod BW2v2/BW3



1.4.3.1.2.2 Milk Pump Aguila, assy.

Article no.	Description	Quantity
104.038	Oval head screw Phillips M4x16	3
105.049	Oval head PT screw Phillips KA30x8	2
105.086	Rubber mounting bush M4	3
107.875	Extension wiring harness milk	1
119.029	Support Pump, assy.	1
120.001	Wiring harness milk pump Aguila	1
120.136	Milk Pump set	1
120.335	Milk Pump inox with motor assy.	1
120.364	Screw Phillips M4x8 Tuflok	2
120.698	Elbow connector 4-1/8	1
122.584	Sticker P-unit Aguila with pressregulator	1
125.921	Connection RB to WP with T-con. assy.	1
132.113	Cleaning block with pressreg. assy.	1

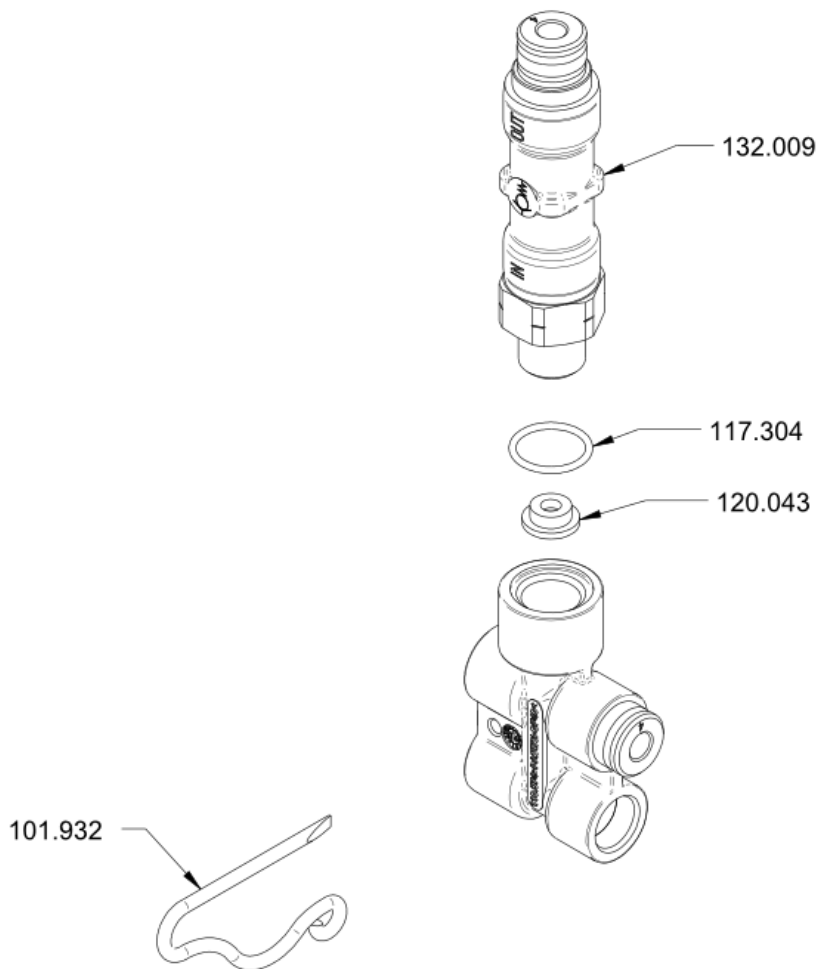
1.4.3.1.2.2 Milk Pump Aguila, assy.



1.4.3.1.2.2.1 Connection RB to WP with T-con. assy.

Article no.	Description	Quantity
101.932	Spring clip pump	1
117.304	O-Ring 10.00x1.00 EPDM 291	1
120.043	Flow limitation nozzle \varnothing 0.6	1
132.009	Check valve \varnothing 4-1/8"	1

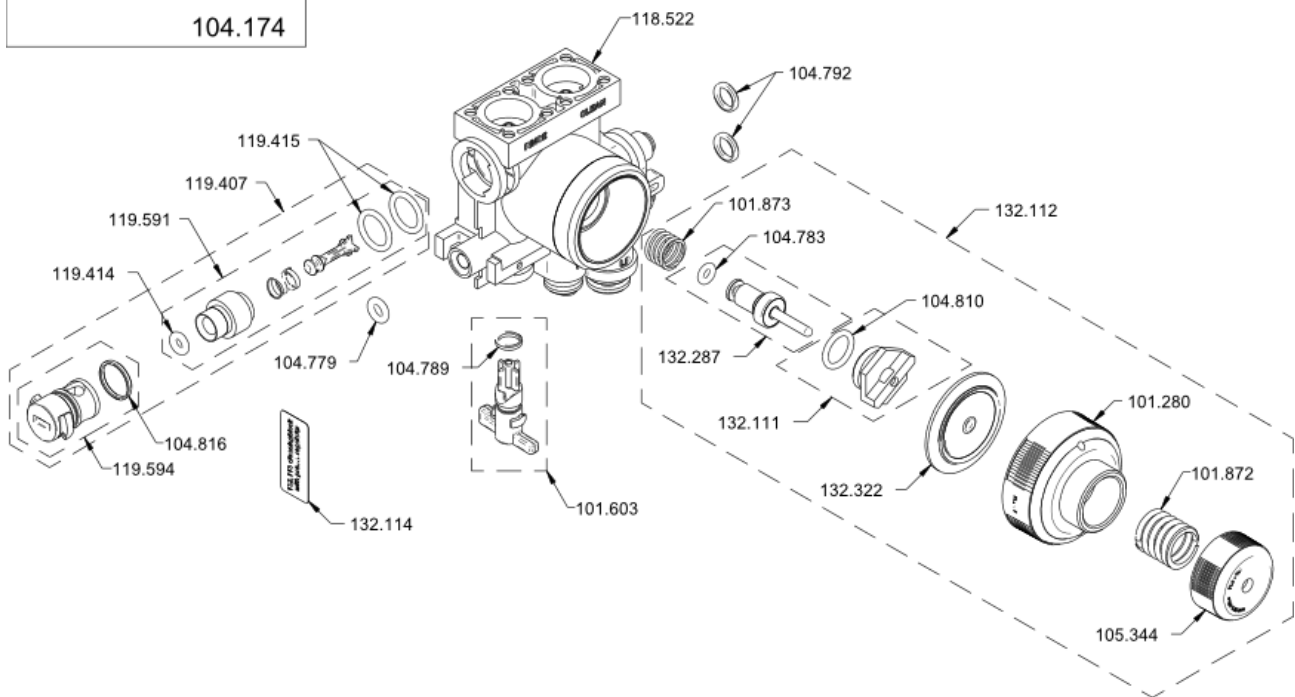
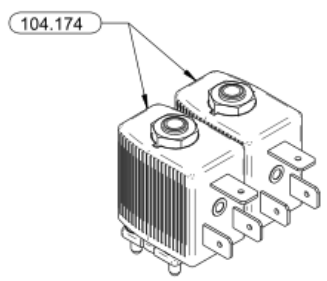
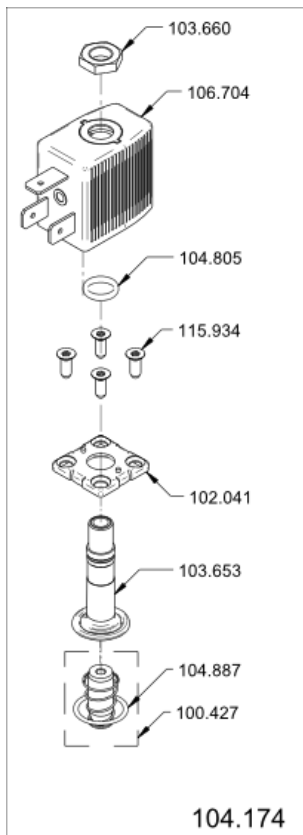
1.4.3.1.2.2.1 Connection RB to WP with T-con. assy.



1.4.3.1.2.2.2 Cleaning block with pressreg. assy.

Article no.	Description	Quantity
100.427	Set 2/2 valve plunger with gasket	1
101.280	Cover pressure regulator	1
101.603	Milk bloc flowmeter assy.	1
101.872	Upper spring pressure regulator	1
101.873	Lower spring pressure regulator	1
102.041	Flange for mini-valve	1
103.653	Plunger guide Mini-valve 2/2	1
103.660	Nut for mini-valve	1
104.174	2/2 solenoid valve, assy.	2
104.779	O-Ring 3.69x1.78 EPDM 75.5/KW75F	1
104.783	O-Ring 3.00x1.50 FKM	1
104.789	O-Ring 5.00x1.00 EPDM	1
104.792	O-Ring 5.00x1.50 FKM 75.5/VA75F	2
104.805	O-Ring 7.50x1.50 EPDM	1
104.810	O-Ring 8.00x1.50 VMQ 80.5/SIL80F	1
104.816	O-Ring 9.00x1.00 EPDM 75.5/KW75 F	1
104.887	O-Ring 13.00x1.30 EPDM	1
105.344	Screw plug M18x1.5	1
106.704	Coil for mini-valve	1
115.934	PT flat head screws Torx K30x08	4
118.522	Basis block milk module assy.	1
119.407	Milk check valve assy.	1
119.414	O-Ring 2.90x1.78 EPDM 291	1
119.415	O-Ring 8.00x1.50 EPDM 291	2
119.591	Milk check valve	1
119.594	Cover check valve milk, assy.	1
132.111	Water nozzle assy.	1
132.112	Pressure regulator, assy.	1
132.114	Sticker c-block with pressregulator	1
132.287	Valve pressure regulator, assy. Inox	1
132.322	Membrane ø28.5 pressure regulator Inox	1

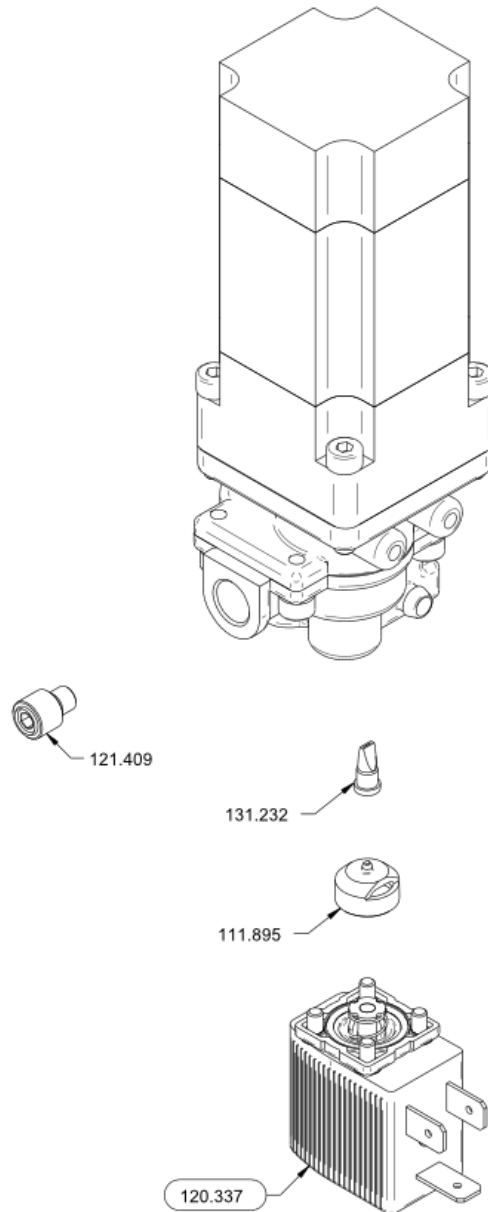
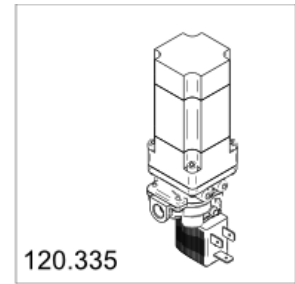
1.4.3.1.2.2.2 Cleaning block with pressreg. assy.



1.4.3.1.2.2.3 Milk Pump inox with motor assy.

Article no.	Description	Quantity
111.895	Support duckbill	1
120.337	3/2 mini solenoid valve, assy.	1
121.409	Nozzle to milk pump PEEK	1
131.232	Check valve duckbill light blue	1

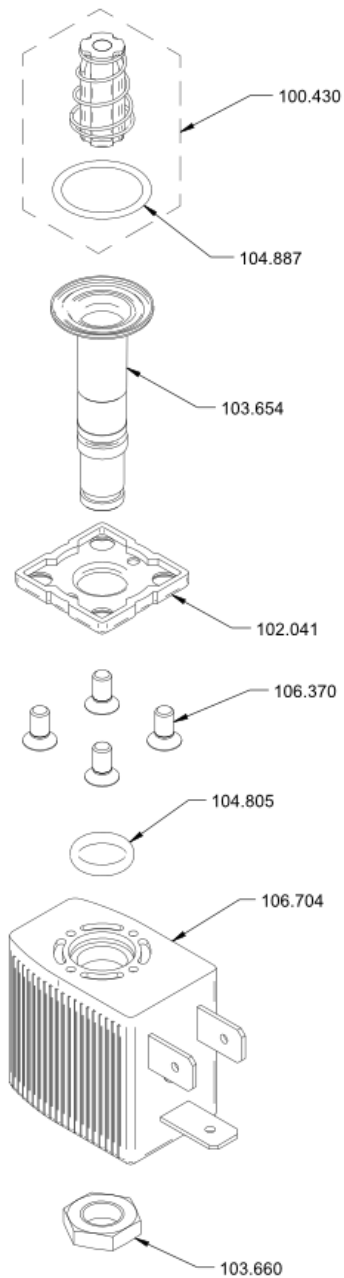
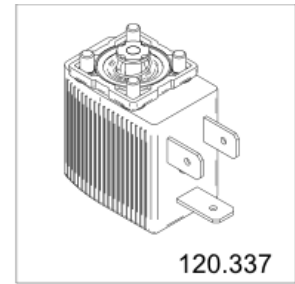
1.4.3.1.2.2.3 Milk Pump inox with motor assy.



1.4.3.1.2.2.3.1 3/2 mini solenoid valve, assy.

Article no.	Description	Quantity
100.430	Set 3/2 valve plunger with gasket	1
102.041	Flange for mini-valve	1
103.654	Plunger guide 3/2 ways mini-valve	1
103.660	Nut for mini-valve	1
104.805	O-Ring 7.50x1.50 EPDM	1
104.887	O-Ring 13.00x1.30 EPDM	1
106.370	Countersunk screw M3x6 Torx	4
106.704	Coil for mini-valve	1

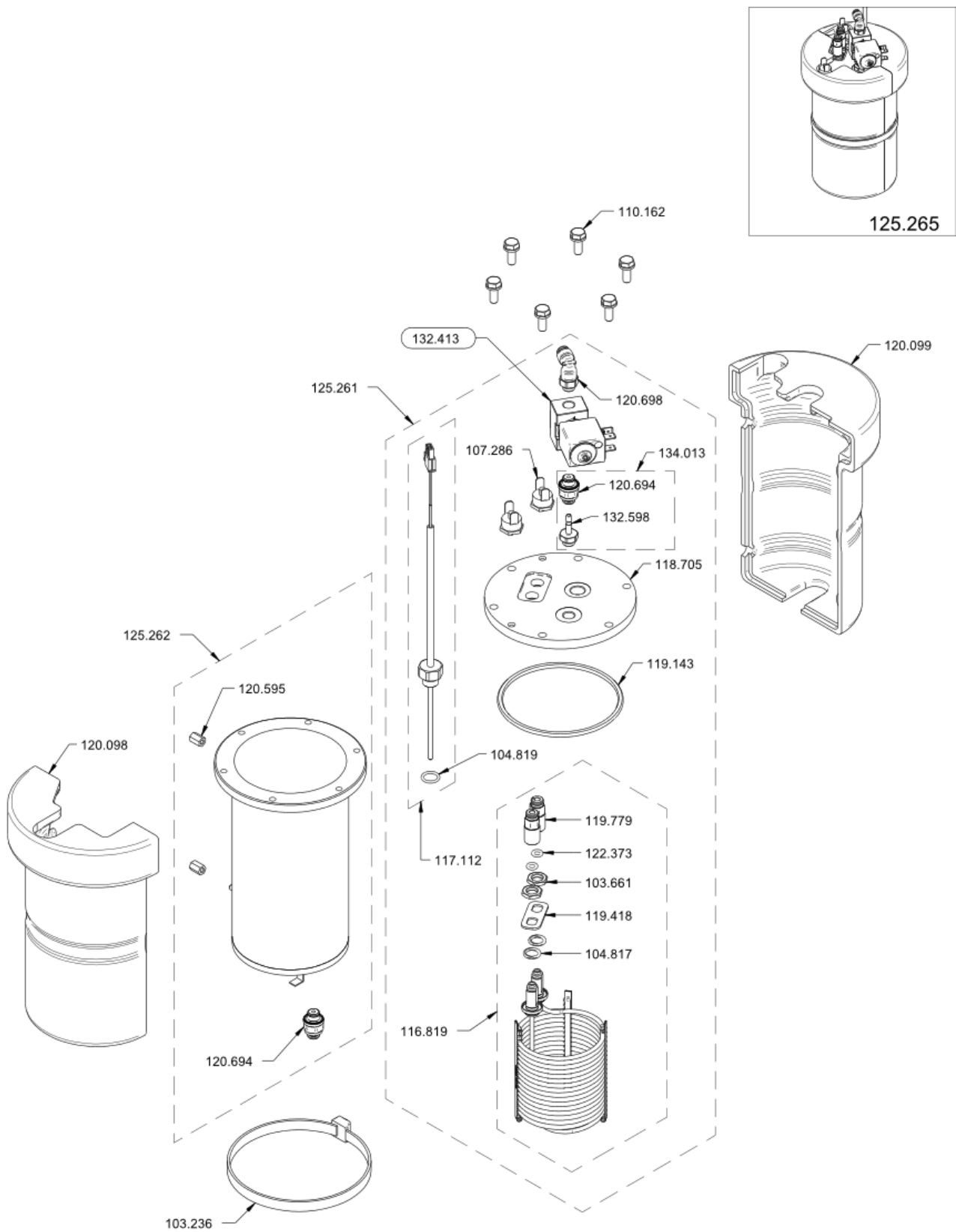
1.4.3.1.2.2.3.1 3/2 mini solenoid valve, assy.



1.4.3.1.2.3 Milk Tea/Boiler, 230V assy.

Article no.	Description	Quantity
103.236	Cable tie 530x8.9	1
103.661	Nut G1/8"	2
104.817	O-Ring 9.00x2.00 EPDM	2
104.819	O-Ring 10.82x1.78 VMQ	1
107.286	Thermal security 125°C HM	2
110.162	Hexagonal head screw combi M06x16	6
116.819	Milk heating coil BW2/BW3 assy.	1
117.112	NTC Sensor Boiler	1
118.705	Cover milk tea boiler	1
119.143	O-Ring 88.00x4.00 EPDM	1
119.418	Safety sheet	1
119.779	Coil connection assy.	2
120.098	Isolating milk tea boiler left	1
120.099	Isolating milk tea boiler right	1
120.595	Hexagonal spacer M4x10	2
120.694	Straight connector 4-1/8	1
120.694	Straight connector 4-1/8	1
120.694	Straight connector 4-1/8	1
120.698	Elbow connector 4-1/8	1
122.373	O-Ring 5.28x1.78 EPDM	2
125.261	Cover milk tea boiler, assy. Halcon	1
125.262	Housing to Milk/Tea Boiler 230V	1
132.413	Solenoid valve 2/2, ø1.1, small NFC	1
132.598	Straight screwed coupling 4-1/8	1
134.013	Straight connector set	1

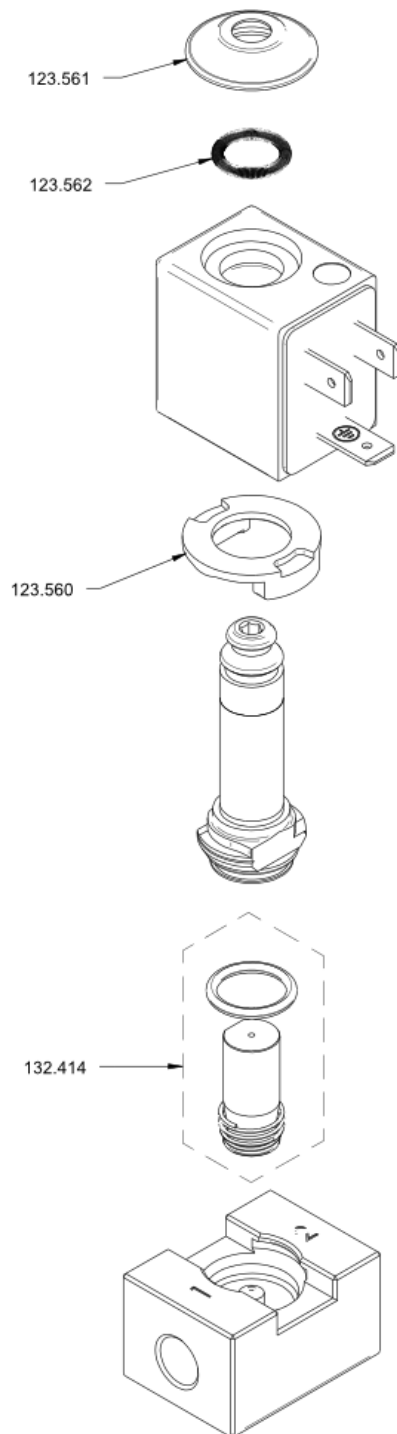
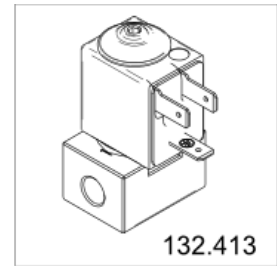
1.4.3.1.2.3 Milk Tea/Boiler, 230V assy.



1.4.3.1.2.3.1 Solenoid valve 2/2, ø1.1, small NFC

Article no.	Description	Quantity
123.560	Supporting ring	1
123.561	Protection cap	1
123.562	Spring to magnet valve	1
132.414	Plunger kit 2/2 NFC	1

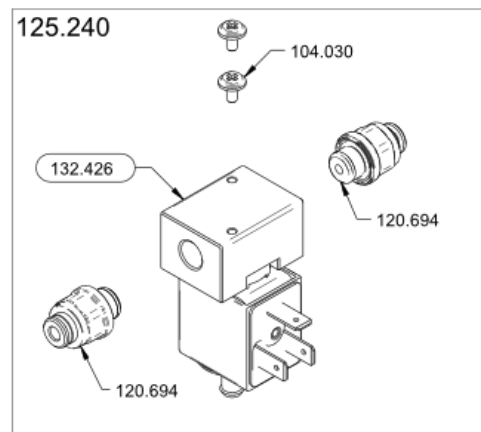
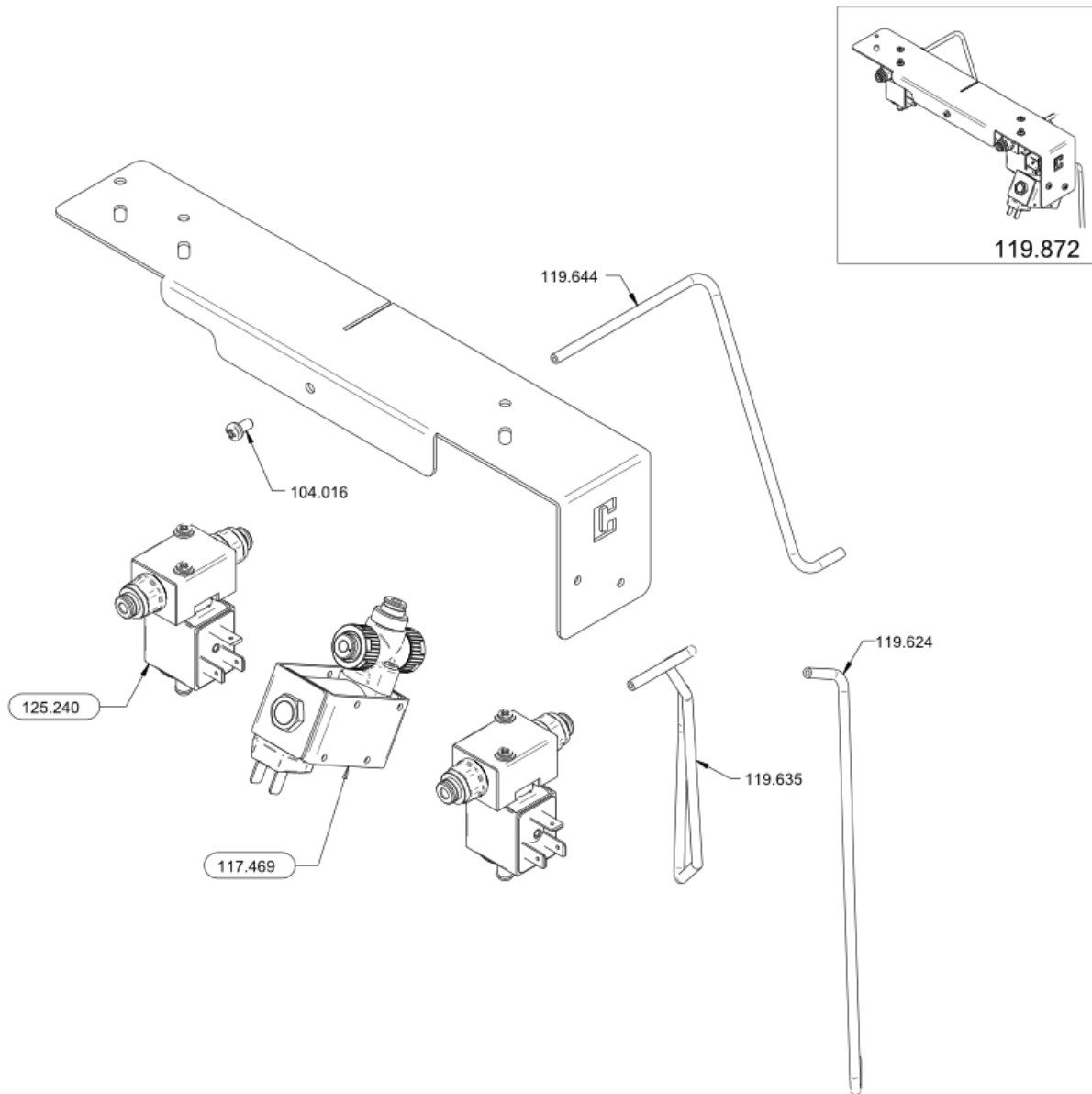
1.4.3.1.2.3.1 Solenoid valve 2/2, $\varnothing 1.1$, small NFC



1.4.3.1.3 Support valve assy.

Article no.	Description	Quantity
104.016	Oval head Phillips combi screw M4x8	1
104.030	Oval pan head screw Phi. eco-fix M3x6	2
104.030	Oval pan head screw Phi. eco-fix M3x6	2
117.469	Diaphragm valve Hyd.Mod BW2v2/BW3	1
119.624	FEP pipe $\varnothing 4/2$ x 260mm	1
119.635	FEP pipe $\varnothing 4/2$ x 380mm	1
119.644	FEP pipe $\varnothing 4/2$ x 210mm	1
120.694	Straight connector 4-1/8	2
125.240	Solenoid valve 3/2, $\varnothing 1.1$, set	2
132.426	Solenoid valve 3/2, $\varnothing 1.1$, small NFC	1

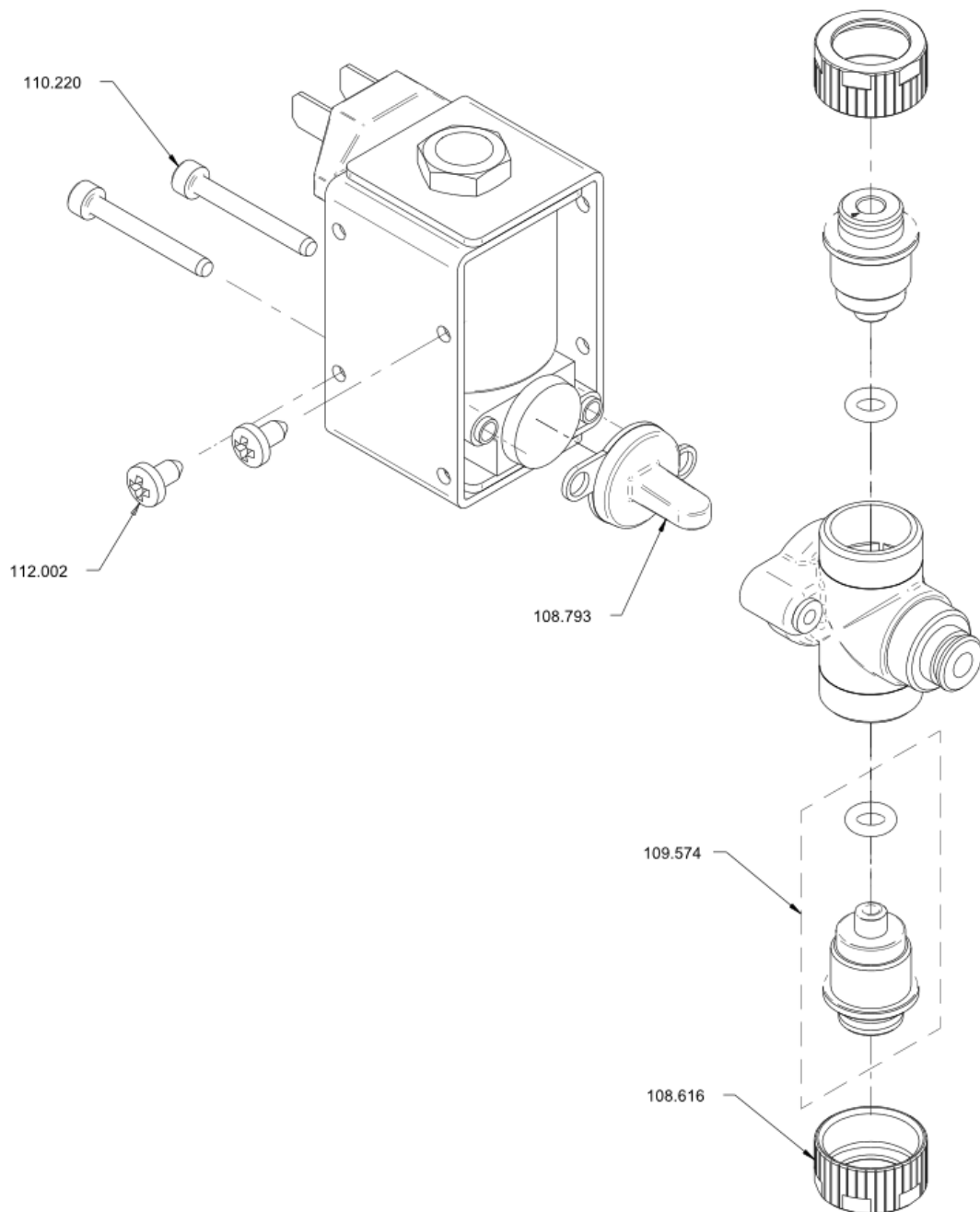
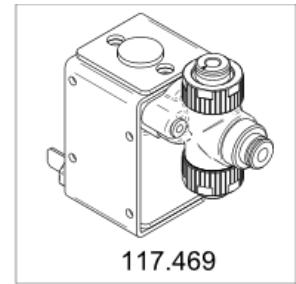
1.4.3.1.3 Support valve assy.



1.4.3.1.3.1 Diaphragm valve Hyd.Mod BW2v2/BW3

Article no.	Description	Quantity
108.616	Grooved nut diaphragm valve	2
108.793	Diaphragm	1
109.574	Insert Valve Magma ø4 with O-ring	2
110.220	Socket head screw M3x25	2
112.002	Phillips sheet screw ST 3.5x6.5	2

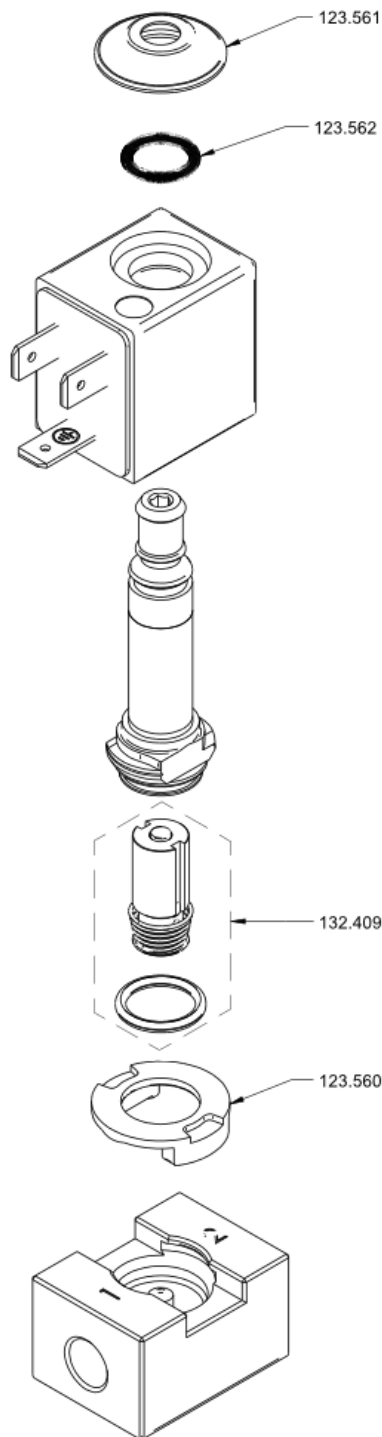
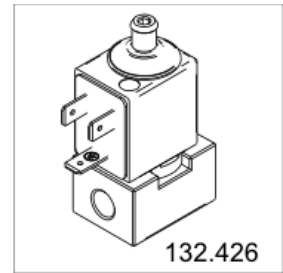
1.4.3.1.3.1 Diaphragm valve Hyd.Mod BW2v2/BW3



1.4.3.1.3.2 Solenoid valve 3/2, ø1.1, small NFC

Article no.	Description	Quantity
123.560	Supporting ring	1
123.561	Protection cap	1
123.562	Spring to magnet valve	1
132.409	Plunger kit 3/2 NFC	1

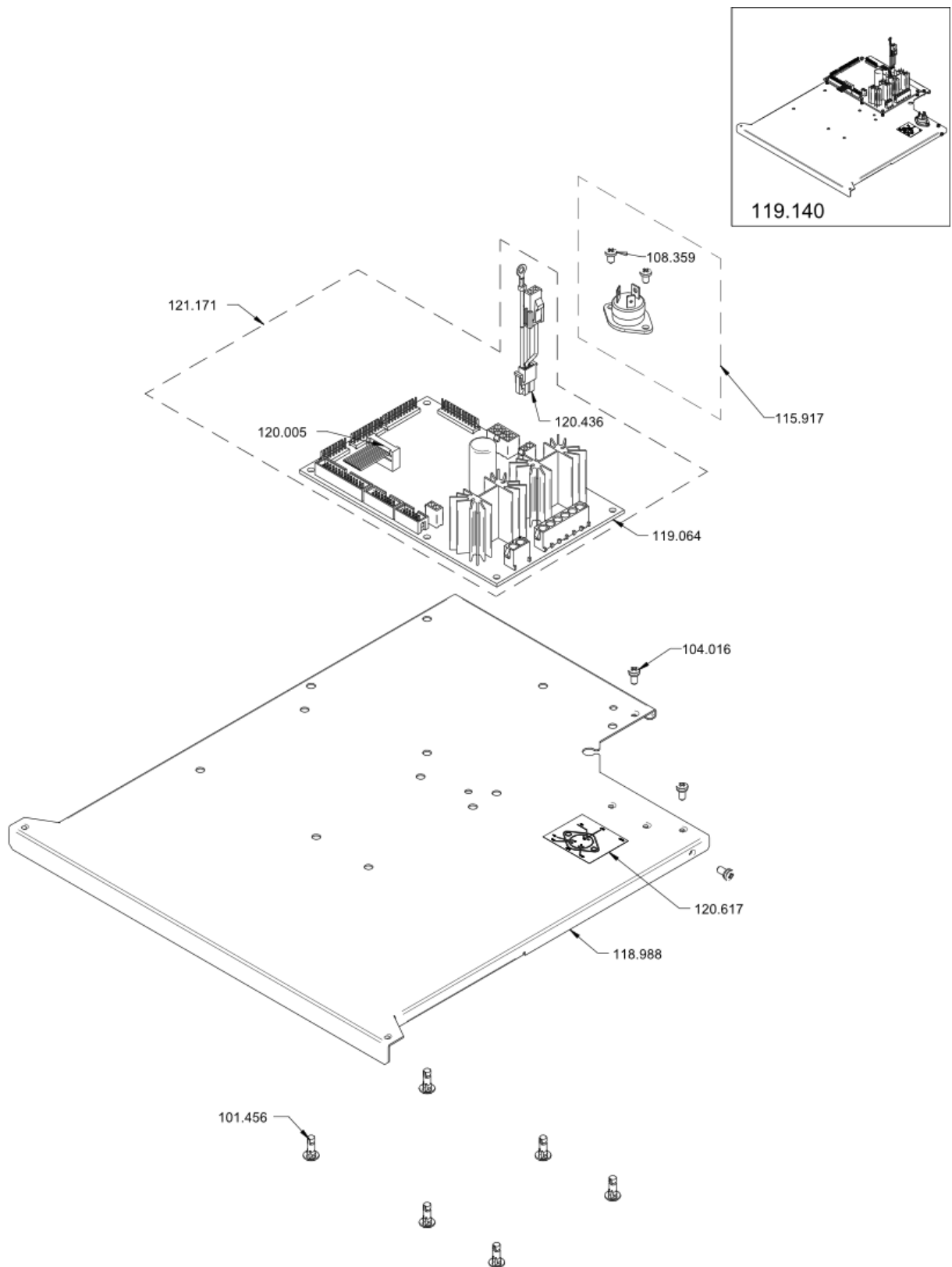
1.4.3.1.3.2 Solenoid valve 3/2, ø1.1, small NFC



1.4.3.1.4 Top support, assy.

Article no.	Description	Quantity
101.456	Deck support piece ø5.5x8mm	12
104.016	Oval head Phillips combi screw M4x8	4
108.359	Socket flat head screw M4x6	2
115.917	Set Triac	1
118.988	Support top	1
119.064	Power Board EAPB Aguila	1
120.005	Ribbon cable display Aguila	1
120.436	Intermediate cable 24V	1
120.617	Sticker Triac Aguila	1
121.171	Power Board EAPB assy.	1

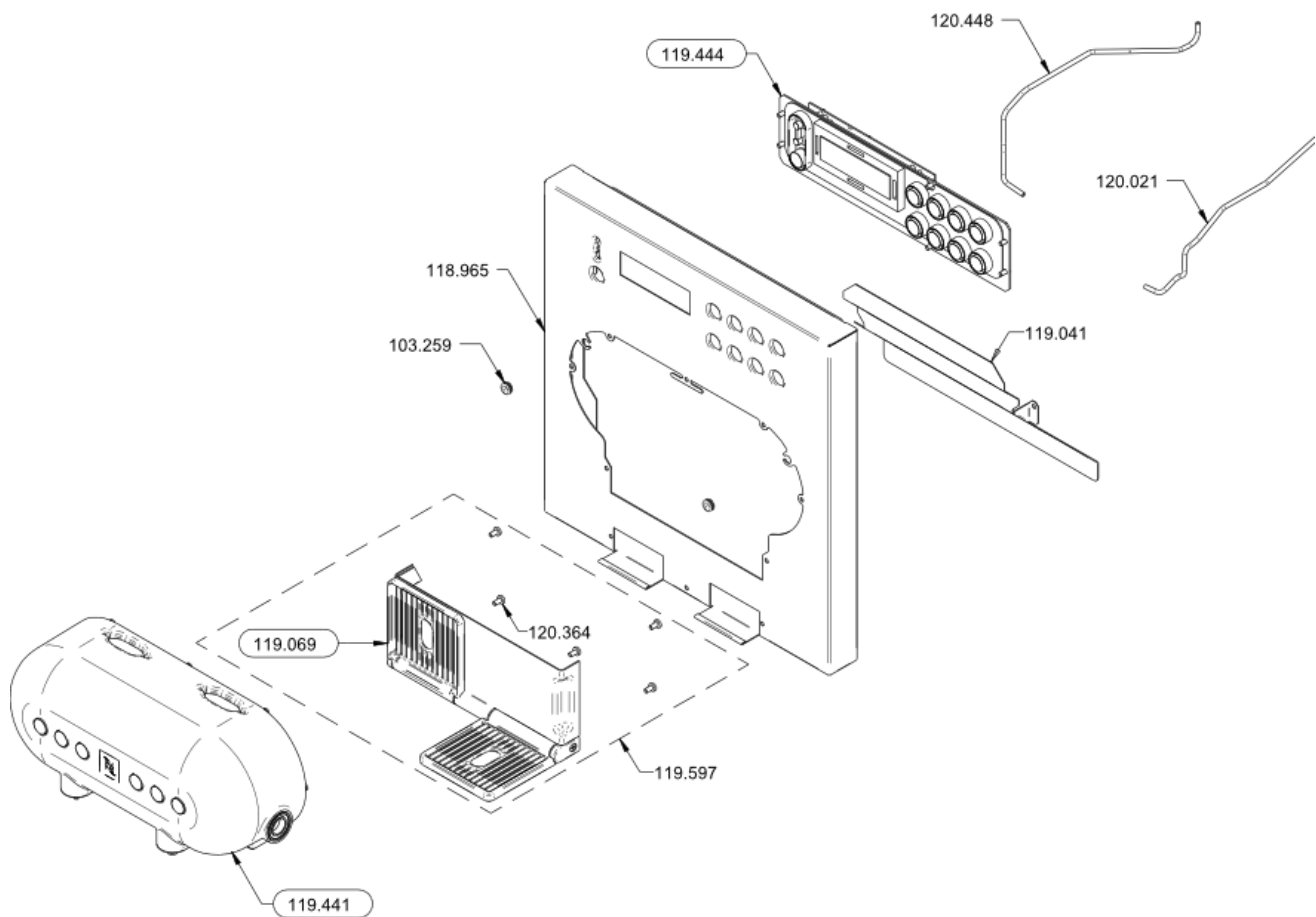
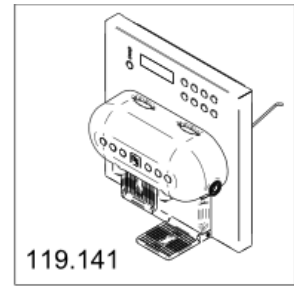
1.4.3.1.4 Top support, assy.



1.4.3.1.5 Front, assy.

Article no.	Description	Quantity
103.259	Cable bushing $\varnothing 11/8 \times 5.5$	2
118.965	Front sheet	1
119.041	Ejection sheet metal	1
119.069	Cup support, assy.	1
119.441	Doublehead, assy.	1
119.444	Keys with Display, assy.	1
119.597	Cup support set	1
120.021	FEP hose $\varnothing 4/2 \times 390\text{mm}$	1
120.364	Screw Phillips M4x8 Tuflok	5
120.448	FEP pipe $\varnothing 4/2 \times 440\text{mm}$	1

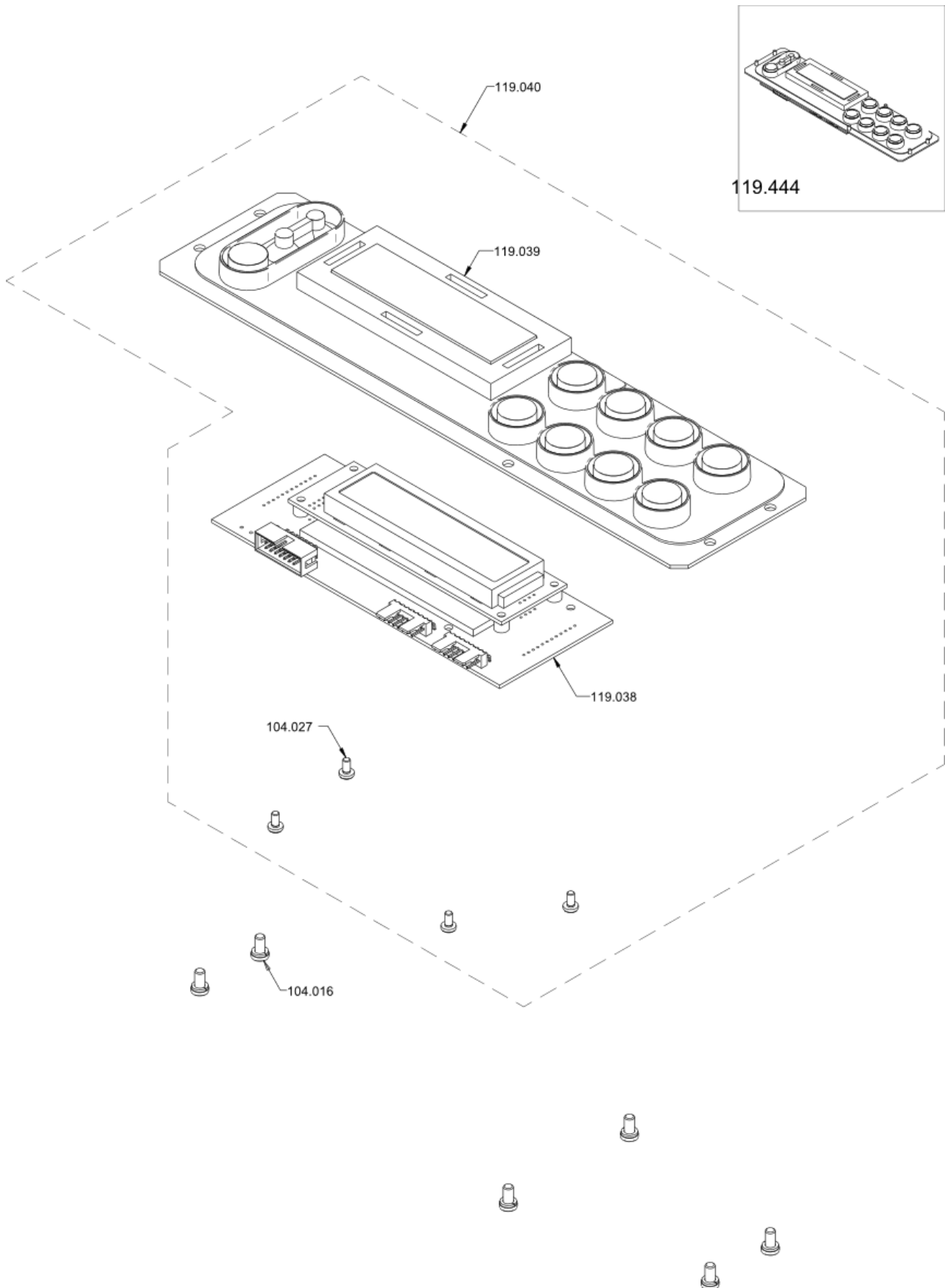
1.4.3.1.5 Front, assy.



1.4.3.1.5.1 Keys with Display, assy.

Article no.	Description	Quantity
104.016	Oval head Phillips combi screw M4x8	6
104.027	Oval head screw Phillips M3x6	4
119.038	Displayprint EADI	1
119.039	Keyboard Tea-Milk	1
119.040	Keys with Display, assy.	1

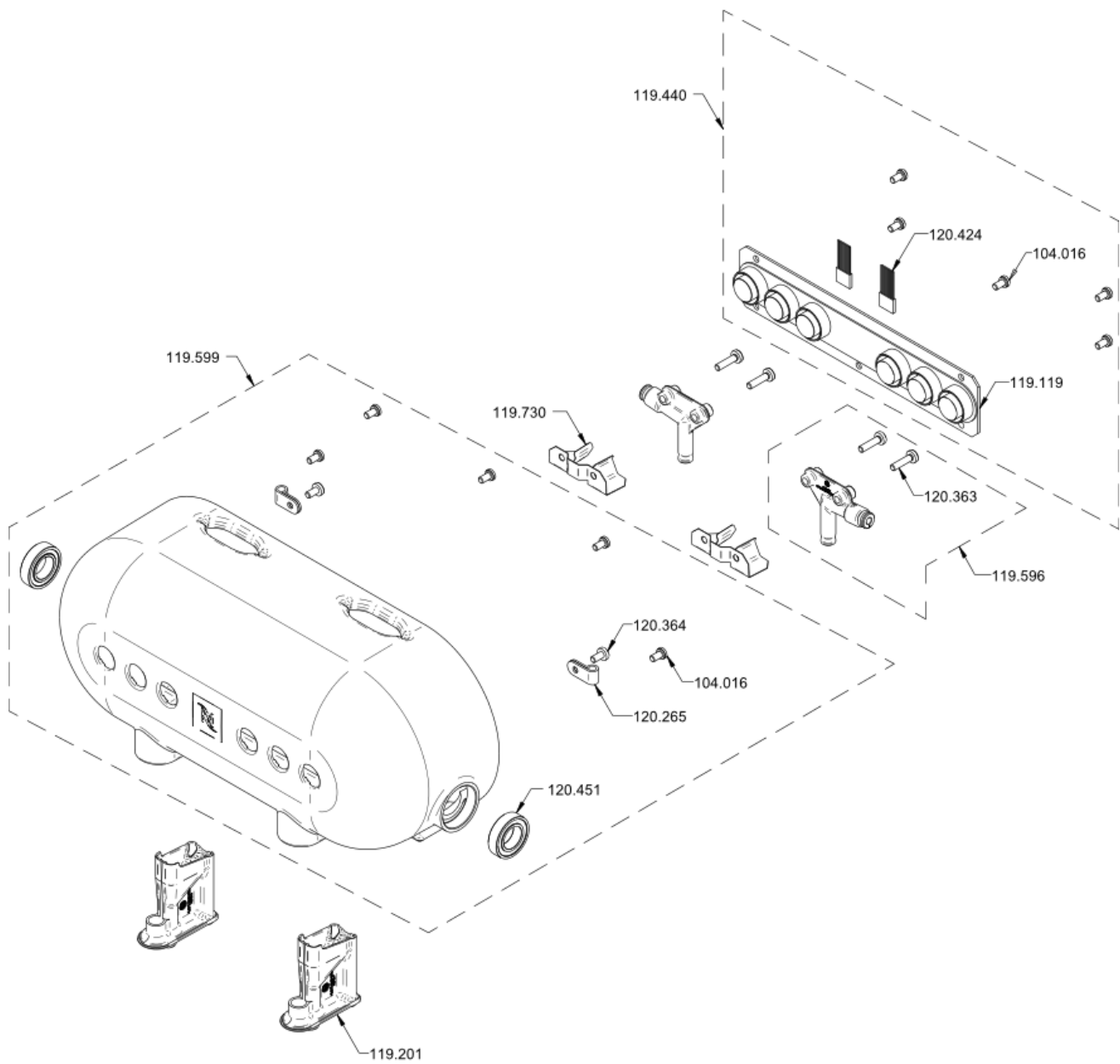
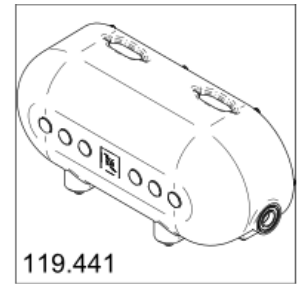
1.4.3.1.5.1 Keys with Display, assy.



1.4.3.1.5.2 Doublehead, assy.

Article no.	Description	Quantity
104.016	Oval head Phillips combi screw M4x8	5
104.016	Oval head Phillips combi screw M4x8	5
119.119	Keyboard Coffee	1
119.201	Coffee outlet	2
119.440	Keyboard Coffee, assy.	1
119.596	Milk + Tea outlet set	2
119.599	Doublehead set	1
119.730	Spring clip outlet	2
120.265	Attachment-Clip 4.8	2
120.363	Screw phillips M4x16 Tuflok	2
120.364	Screw Phillips M4x8 Tuflok	2
120.424	Ribbon cable coffee keyboard	2
120.451	Ball bearing 61902	2

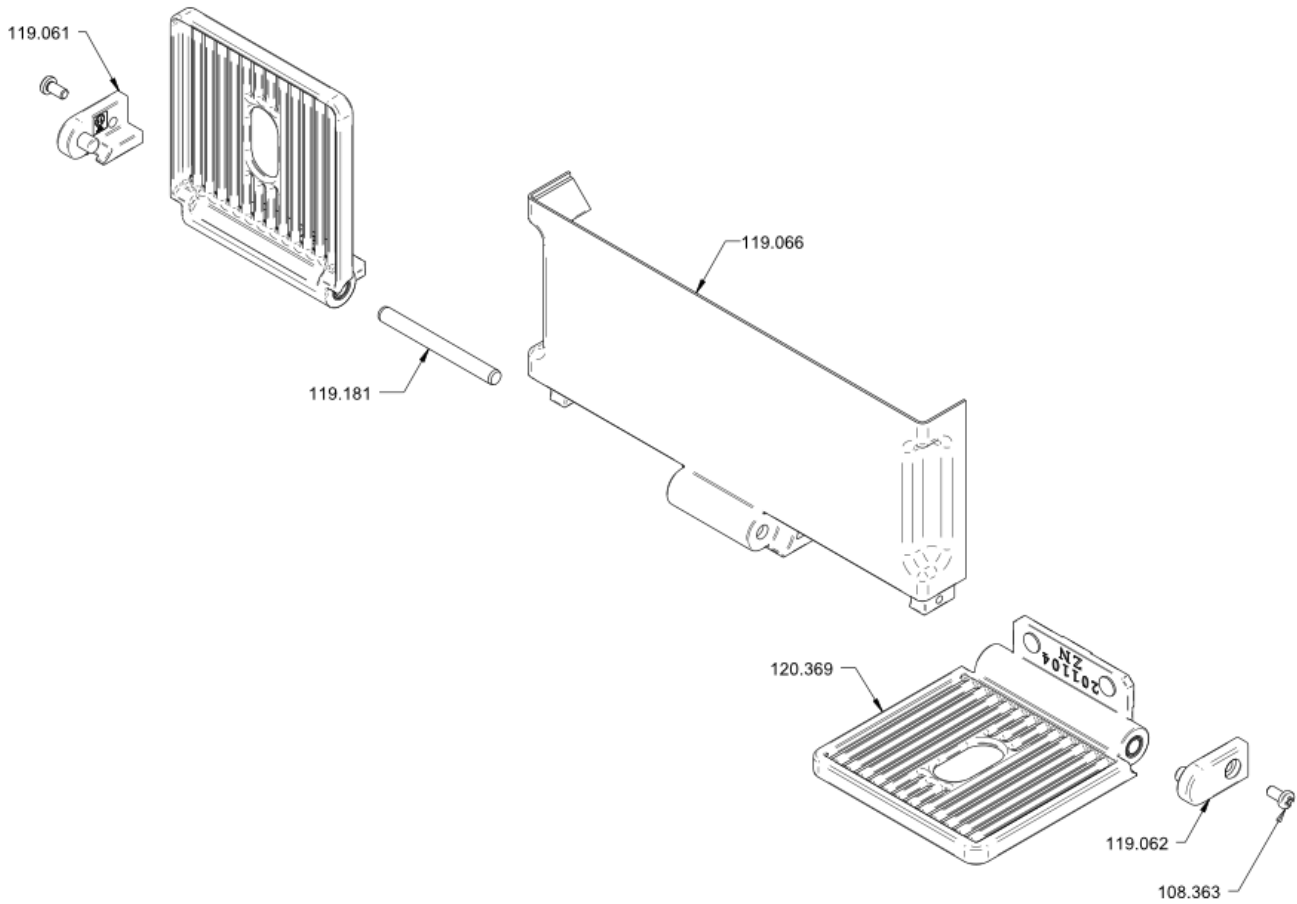
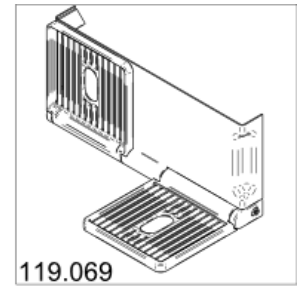
1.4.3.1.5.2 Doublehead, assy.



1.4.3.1.5.3 Cup support, assy.

Article no.	Description	Quantity
108.363	Socket flat head screw Phillips H M4x8	2
119.061	Left fixation cup support	1
119.062	Right fixation cup support	1
119.066	Cup support	1
119.181	Straight pin $\varnothing 6 \times 60$	1
120.369	Grid for cup support assy.	2

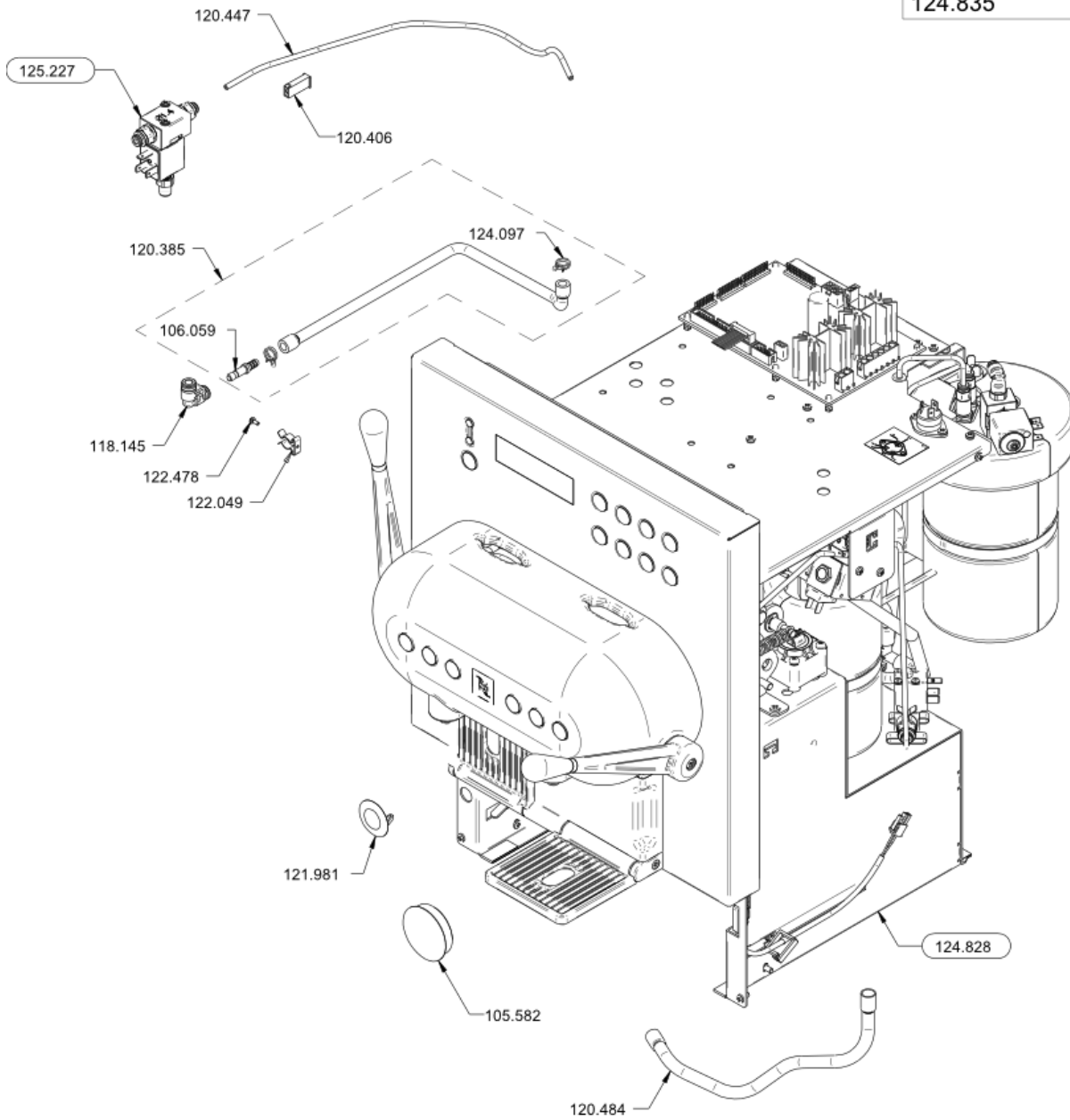
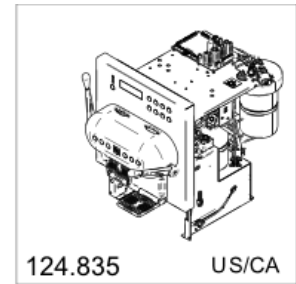
1.4.3.1.5.3 Cup support, assy.



1.4.4 Machine unit right AG420 US

Article no.	Description	Quantity
105.582	Covering plate	1
106.059	Coupling ø6	1
118.145	Angle plug connection 6-6 PVDF	1
120.385	Milk pressure tube Machine unit r. set	1
120.406	Wiring harness cleaning key valve	1
120.447	FEP pipe ø4/2 x 390mm	1
120.484	Silicone hose ø10/7 x 420mm	1
121.981	Stop-cap HEYCO 22-25.5	1
122.049	Tool clip 80-10-2.5	1
122.478	Phillips screw M2.5x06	1
124.097	Clip for silicone hose ø9.6mm	2
124.828	Machine unit US	1
125.227	Solenoid valve 3/2, ø1.4, small set	1

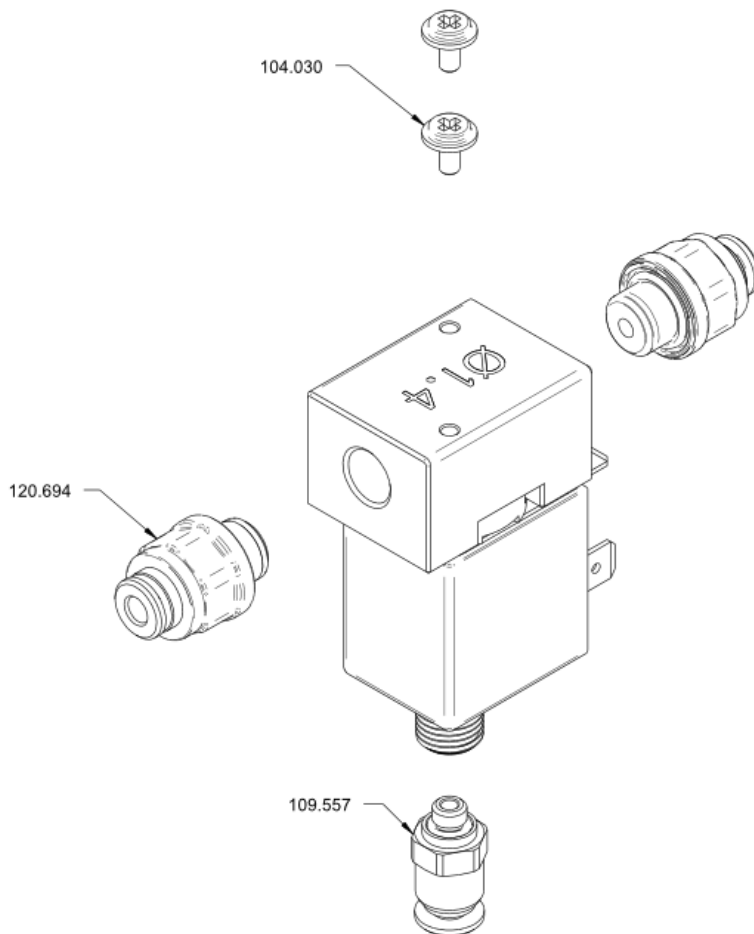
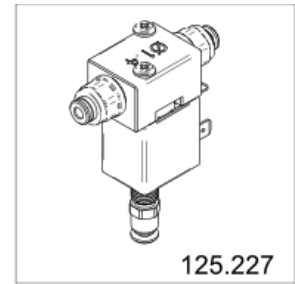
1.4.4 Machine unit right AG420 US



1.4.4.1 Solenoid valve 3/2, ø1.4, small set

Article no.	Description	Quantity
104.030	Oval pan head screw Phi. eco-fix M3x6	2
109.557	Straight connector 4-M5	1
120.694	Straight connector 4-1/8	2

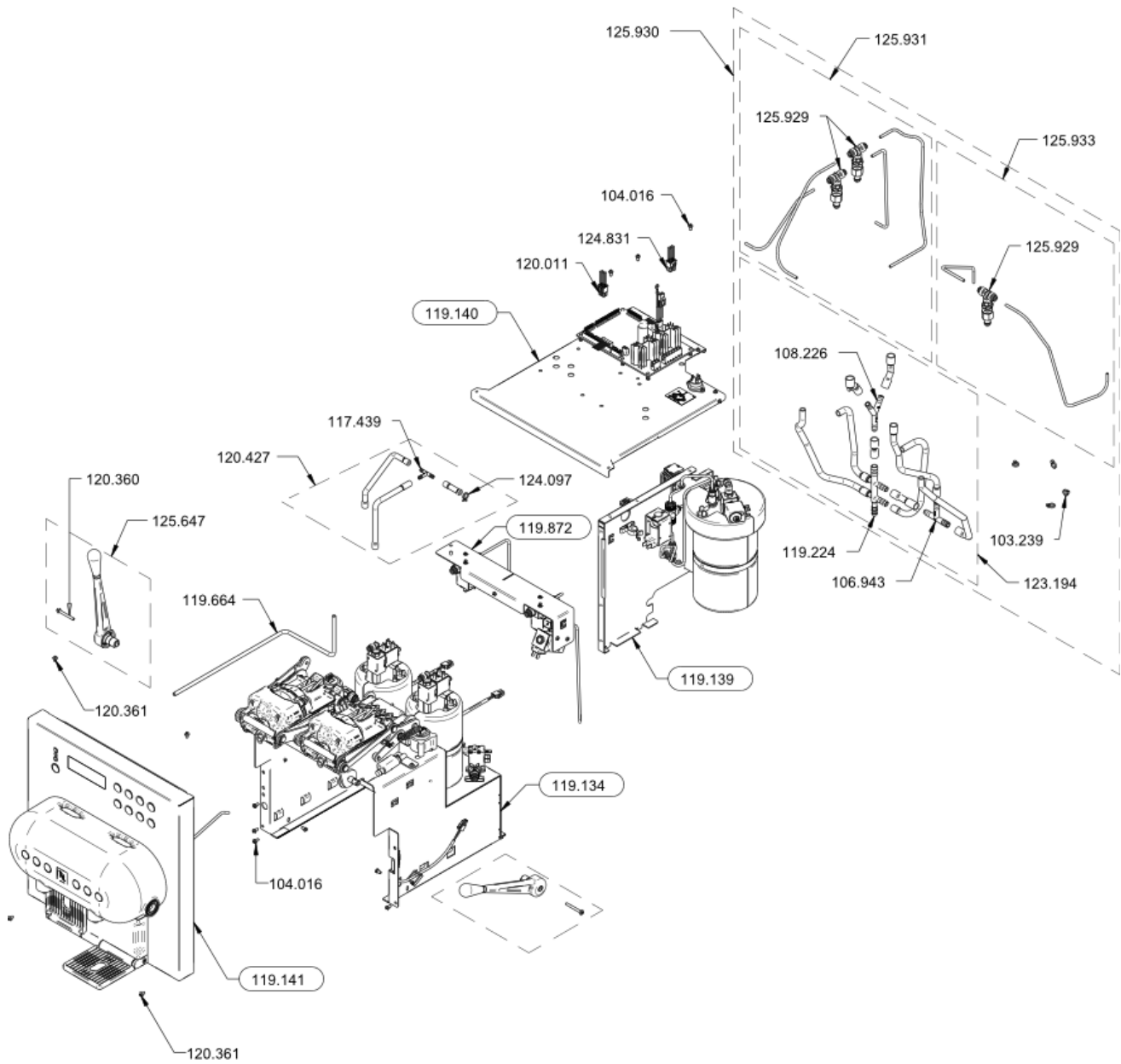
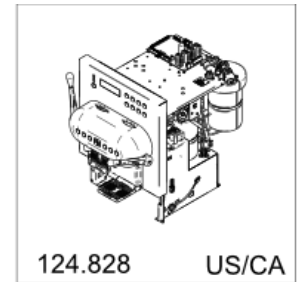
1.4.4.1 Solenoid valve 3/2, $\phi 1.4$, small set



1.4.4.2 Machine unit US

Article no.	Description	Quantity
103.239	Binding with fixing (large white)	4
104.016	Oval head Phillips combi screw M4x8	9
106.943	T-connection	1
108.226	Y-branch connection ø8	1
117.439	T-Connector (POM) for tube ø4mm	1
119.134	Base of machinemodul, assy.	1
119.139	Middle support, assy.	1
119.140	Top support, assy.	1
119.141	Front, assy.	1
119.224	Distributor 6x	1
119.664	FEP pipe ø6/4 x 400mm	1
119.872	Support valve assy.	1
120.011	Wiring harness signals Aguila	1
120.360	Oval head screw M4x35 Tuflok	1
120.361	Oval head screw M4x6 Tuflok	4
120.427	Piping set Air mini-valve	1
123.194	Piping set preassembly kpl.	1
124.097	Clip for silicone hose ø9.6mm	1
124.831	Wiring harness module 208V Aguila US	1
125.647	Lever Zamak set	2
125.929	Pressure control valve 16.5 bar set	1
125.929	Pressure control valve 16.5 bar set	2
125.930	Piping set distributor sixfold assy.	1
125.931	Piping set check valve	1
125.933	Piping set check valve	1

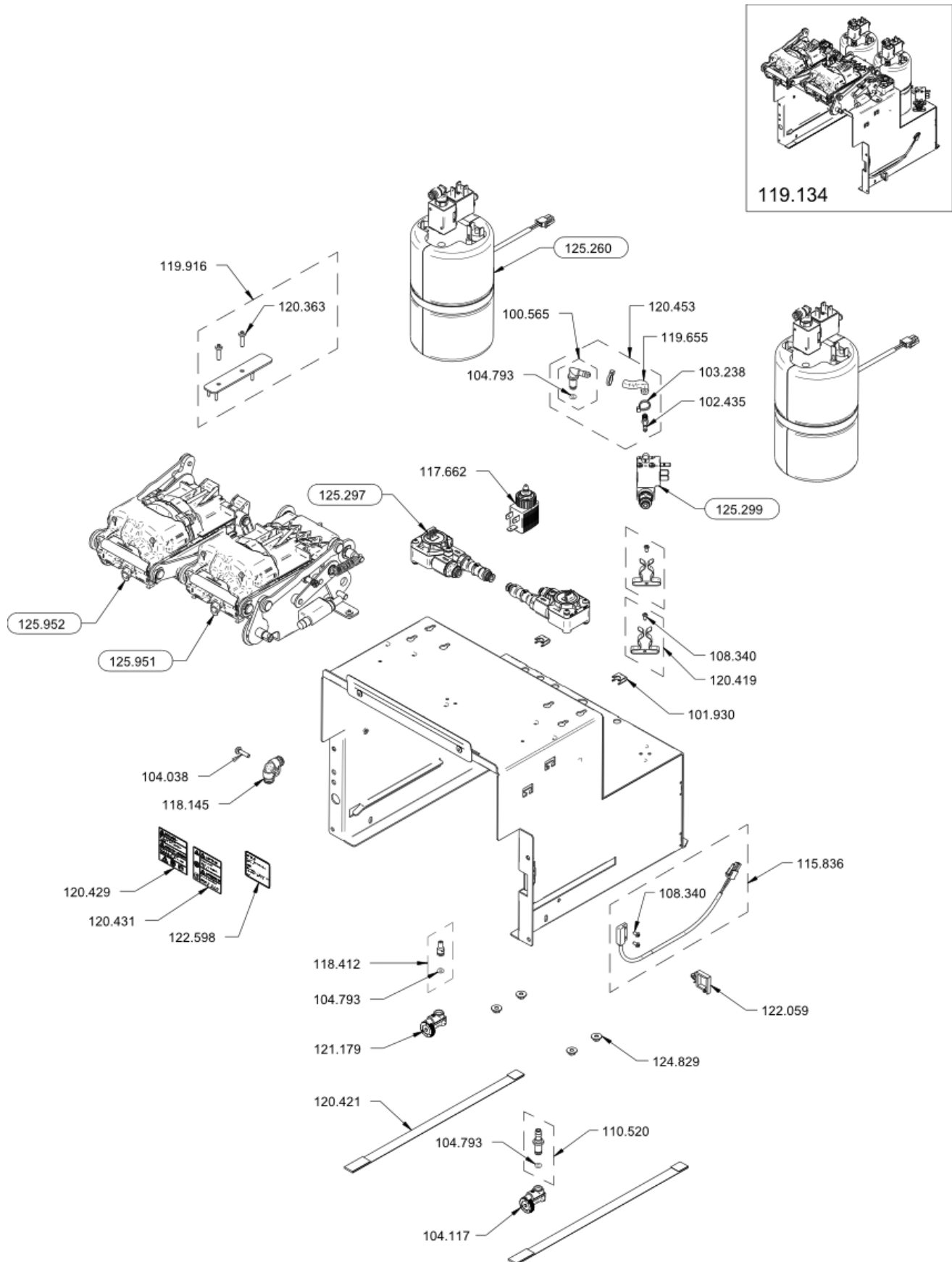
1.4.4.2 Machine unit US



1.4.4.2.1 Base of machinemodul, assy.

Article no.	Description	Quantity
100.565	Angle connection, assembly	1
101.930	Spring clip	2
102.435	Straight connection ø4	1
103.238	Cable tie 85/22	2
104.038	Oval head screw Phillips M4x16	1
104.117	Air regulator red 0.0mm	1
104.793	O-Ring 5.00x1.50 MVQ	1
104.793	O-Ring 5.00x1.50 MVQ	1
104.793	O-Ring 5.00x1.50 MVQ	1
108.340	Cheese head screw Phillips M3x6	2
108.340	Socket head screw M3x6 Phillips	1
110.520	Connection Nipple straight + O-Ring	1
115.836	Reed switch with screws	1
117.662	Air mini-valve	1
118.145	Angle plug connection 6-6 PVDF	1
118.412	Support air regulator assy.	1
119.655	Silicone hose ø8.5/4 x 50mm	1
119.916	Sheet support set (Brewing unit)	1
120.363	Screw phillips M4x16 Tuflok	2
120.419	Tool clip set 80-16-3	2
120.421	Slide tape 13x 310mm	2
120.429	Label "Electric shock hazard"	1
120.431	Label "Burn hazard"	1
120.453	Piping set drain valve	1
121.179	Air regulator blue 0.0mm	1
122.059	Cable clip with anchor	1
122.598	Sticker pump Aguila	1
124.829	Hex nuts with flange and serrations M04	4
125.260	Coffee Boiler, assy.	2
125.297	Flowmeter ø4-1/4, ø1.15, set	2
125.299	Diaphragm valve 2/2, ø2.0, small, assy.	1
125.951	B2B BU Horeca right assy.	1
125.952	B2B Horeca left assy.	1

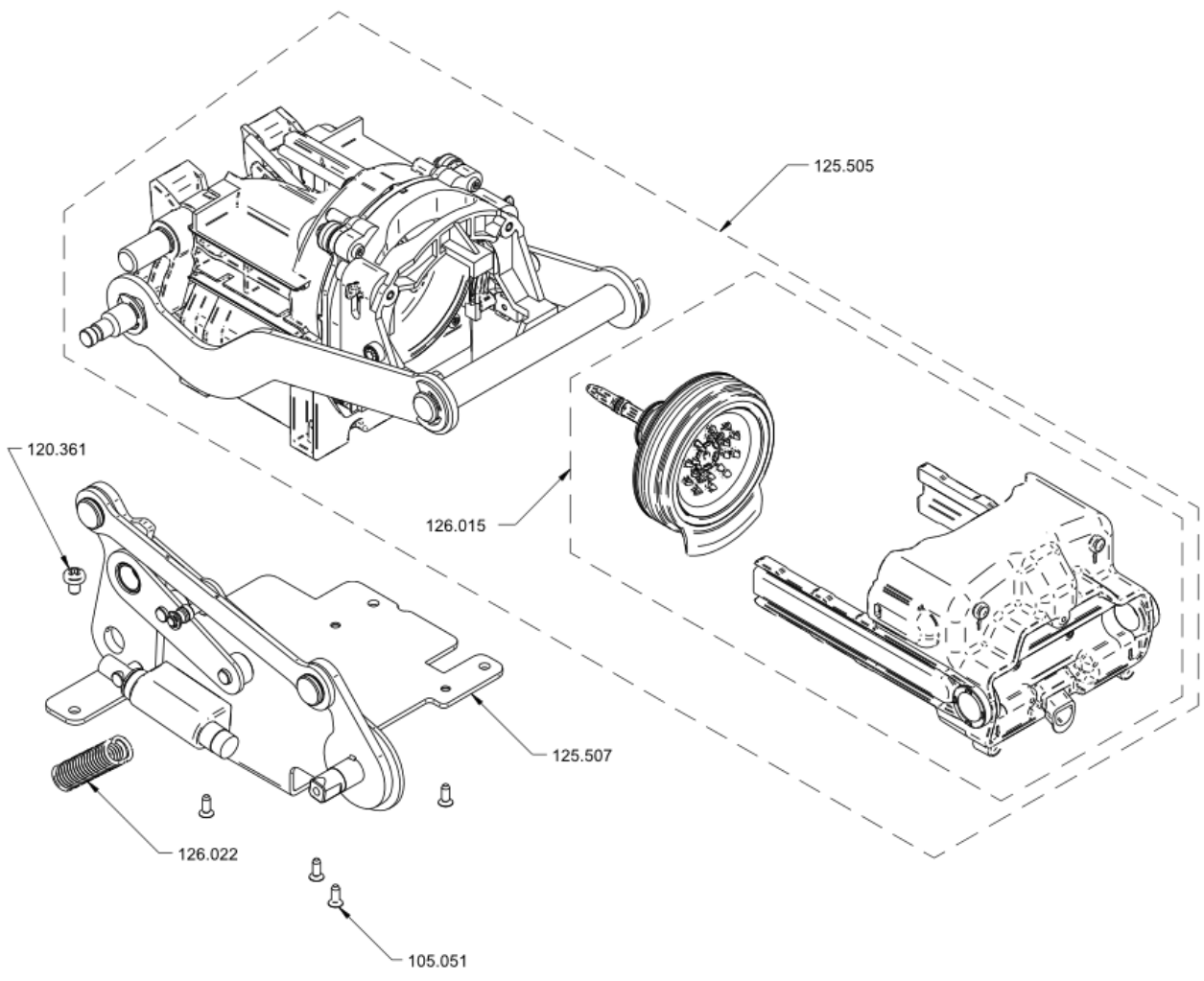
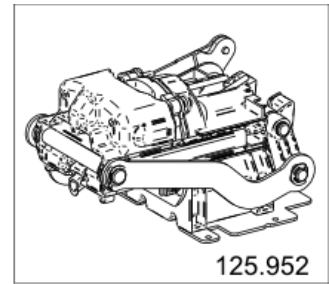
1.4.4.2.1 Base of machinemodul, assy.



1.4.4.2.1.1 B2B Horeca left assy.

Article no.	Description	Quantity
105.051	Countersunk PT screw Phillips KA30x8	4
120.361	Oval head screw M4x6 Tuflok	1
125.505	B2B BU Horeca left	1
125.507	Bearing carrier sheet assy. left Horeca	1
126.015	BU Maintenance Kit	1
126.022	Spring for BU Horeca	1

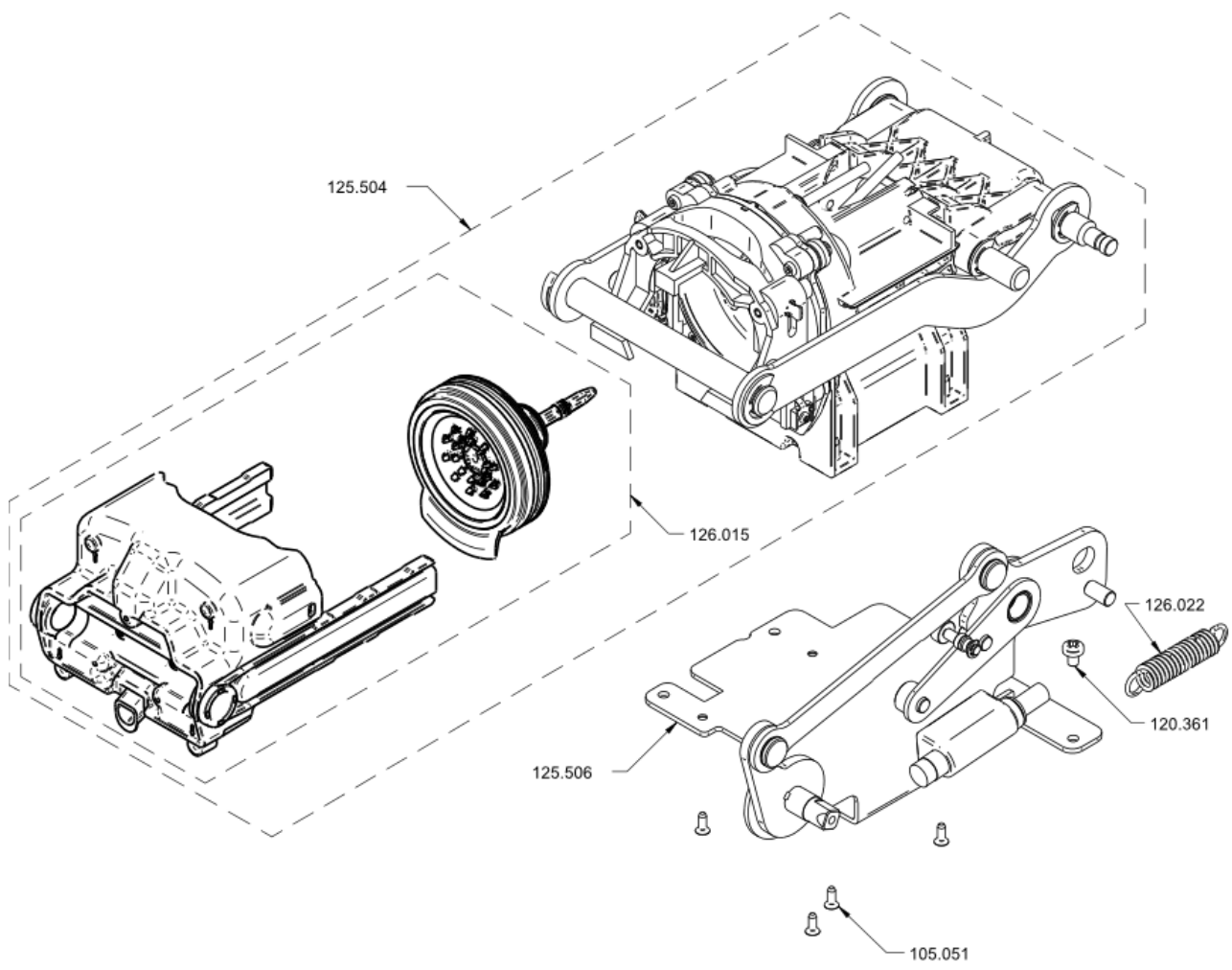
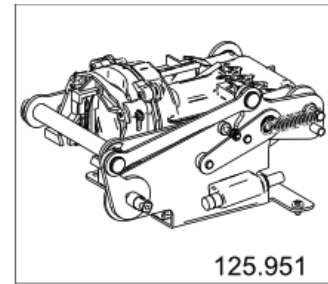
1.4.4.2.1.1 B2B Horeca left assy.



1.4.4.2.1.2 B2B BU Horeca right assy.

Article no.	Description	Quantity
105.051	Countersunk PT screw Phillips KA30x8	4
120.361	Oval head screw M4x6 Tuflok	1
125.504	B2B BU Horeca right	1
125.506	Bearing carrier sheet assy. right Horeca	1
126.015	BU Maintenance Kit	1
126.022	Spring for BU Horeca	1

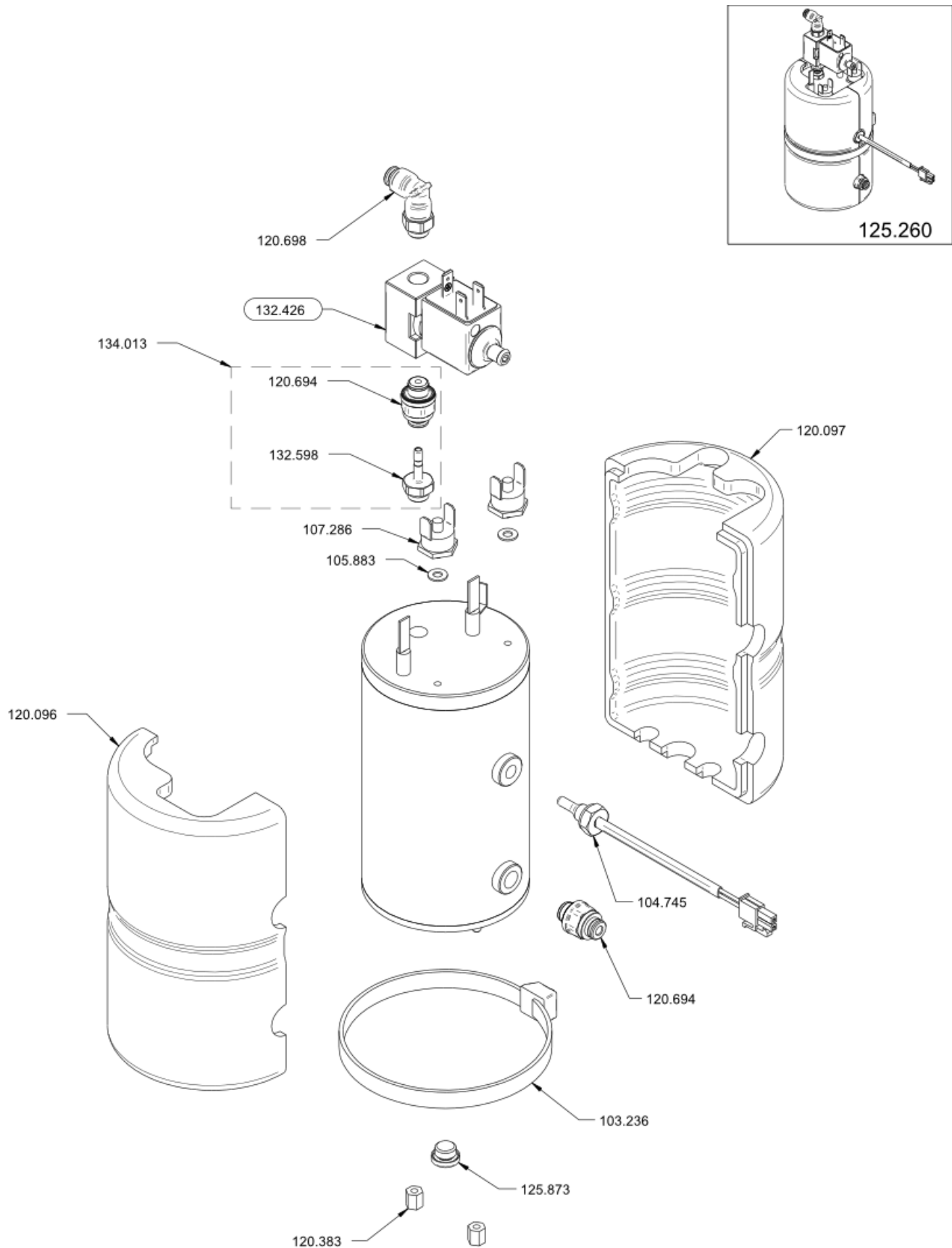
1.4.4.2.1.2 B2B BU Horeca right assy.



1.4.4.2.1.3 Coffee Boiler, assy.

Article no.	Description	Quantity
103.236	Cable tie 530x8.9	1
104.745	NTC sensor for boiler, assembly	1
105.883	Flat washer M4	2
107.286	Thermal security 125°C HM	2
120.096	Isolating coffee boiler left	1
120.097	Isolating coffee boiler right	1
120.383	Hexagonal spacer M4x8	2
120.694	Straight connector 4-1/8	1
120.698	Elbow connector 4-1/8	1
125.873	Drain plug G1/8	1
132.426	Solenoid valve 3/2, ø1.1, small NFC	1
132.598	Straight screwed coupling 4-1/8	1
134.013	Straight connector set	1

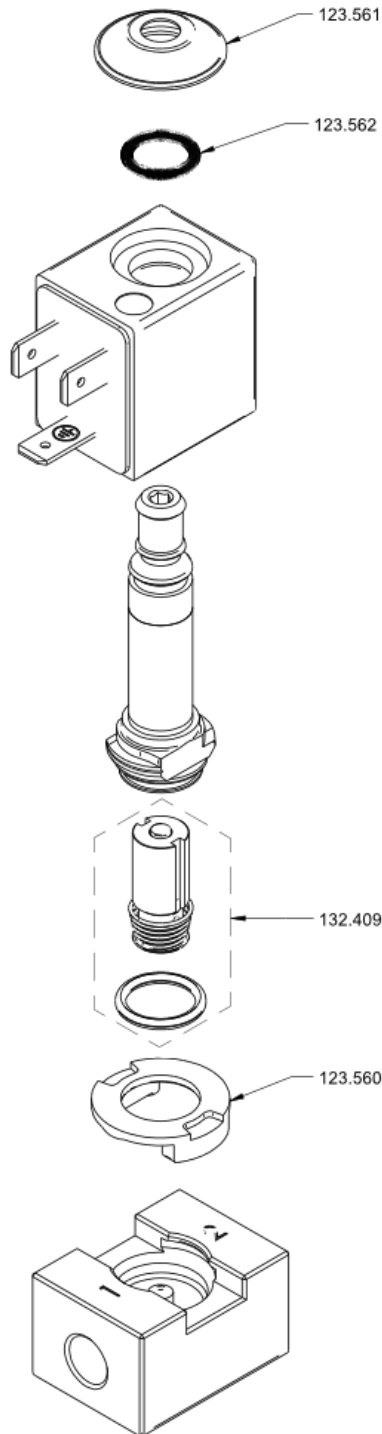
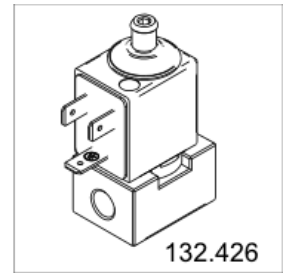
1.4.4.2.1.3 Coffee Boiler, assy.



1.4.4.2.1.3.1 Solenoid valve 3/2, ø1.1, small NFC

Article no.	Description	Quantity
123.560	Supporting ring	1
123.561	Protection cap	1
123.562	Spring to magnet valve	1
132.409	Plunger kit 3/2 NFC	1

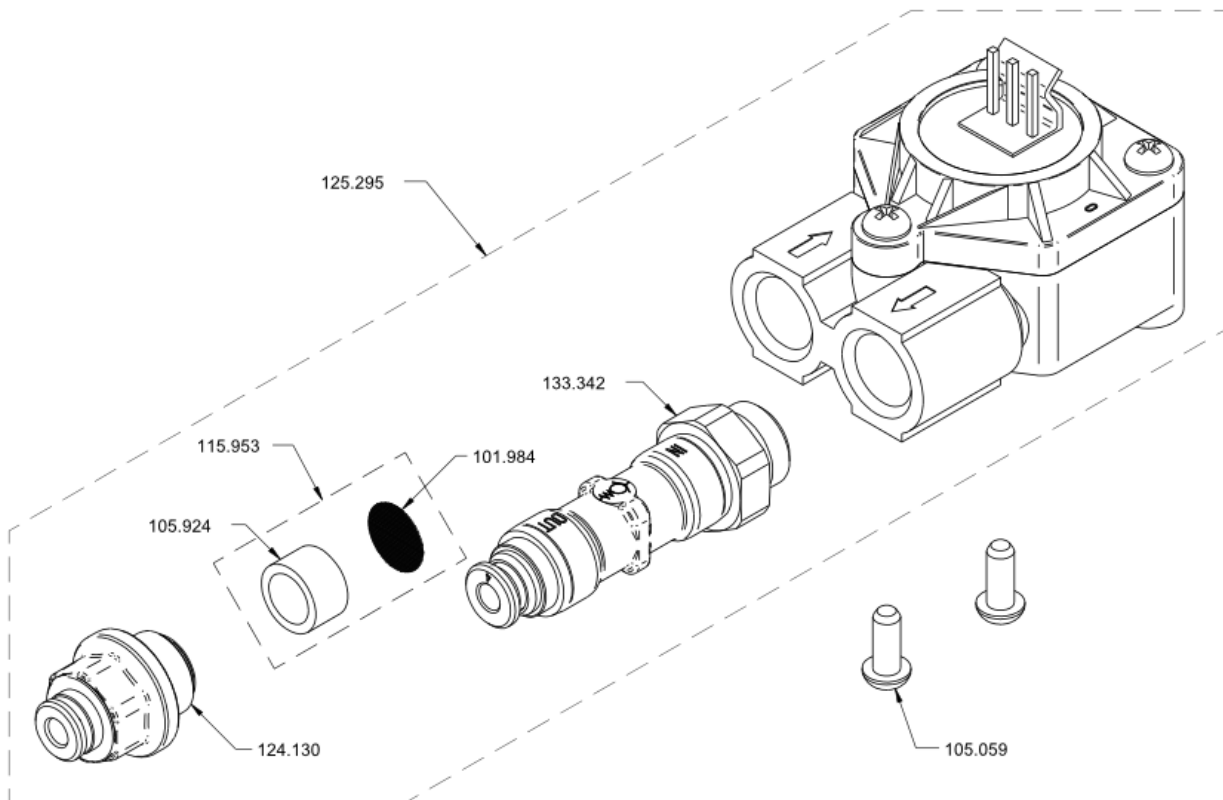
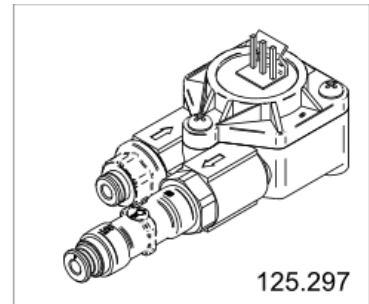
1.4.4.2.1.3.1 Solenoid valve 3/2, ϕ 1.1, small NFC



1.4.4.2.1.4 Flowmeter \varnothing 4-1/4, \varnothing 1.15, set

Article no.	Description	Quantity
101.984	Filter for flowmeter 1/4"	1
105.059	Oval head PT screw Phillips KA40x10	2
105.924	Sleeve	1
115.953	Water strainer flowmeter	1
124.130	Straight fitting 4-1/4	1
125.295	Flowmeter \varnothing 4-1/4, \varnothing 1.15, assy.	1
133.342	Check valve \varnothing 4-1/4	1

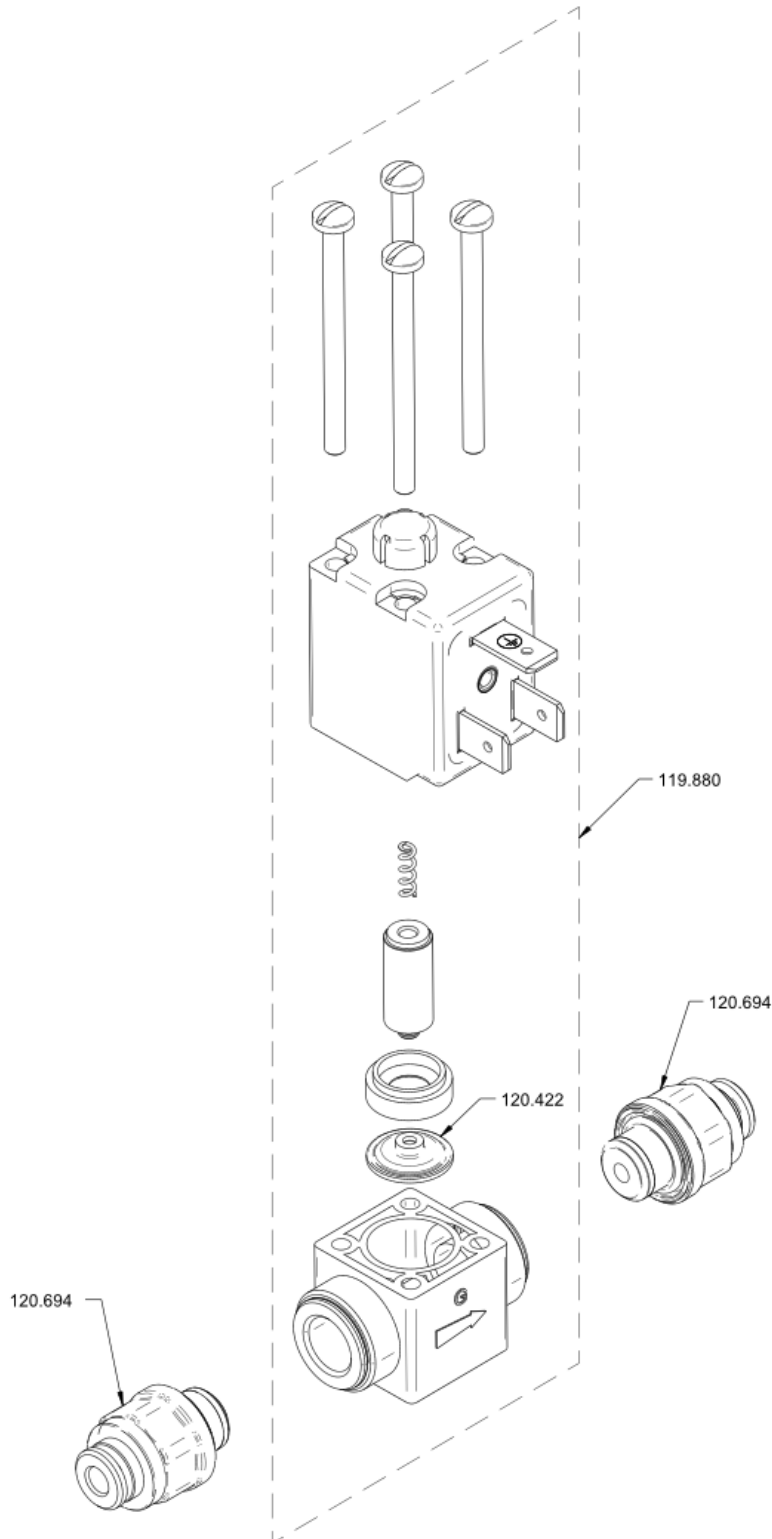
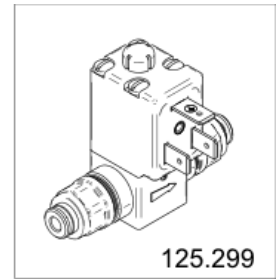
1.4.4.2.1.4 Flowmeter $\varnothing 4-1/4$, $\varnothing 1.15$, set



1.4.4.2.1.5 Diaphragm valve 2/2, ø2.0, small, assy.

Article no.	Description	Quantity
119.880	Diaphragm valve 2/2, ø2.0, small	1
120.422	Diaphragm	1
120.694	Straight connector 4-1/8	2

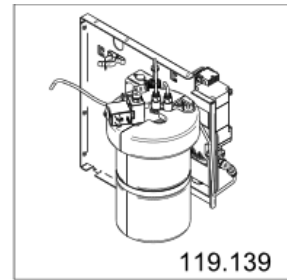
1.4.4.2.1.5 Diaphragm valve 2/2, $\varnothing 2.0$, small, assy.



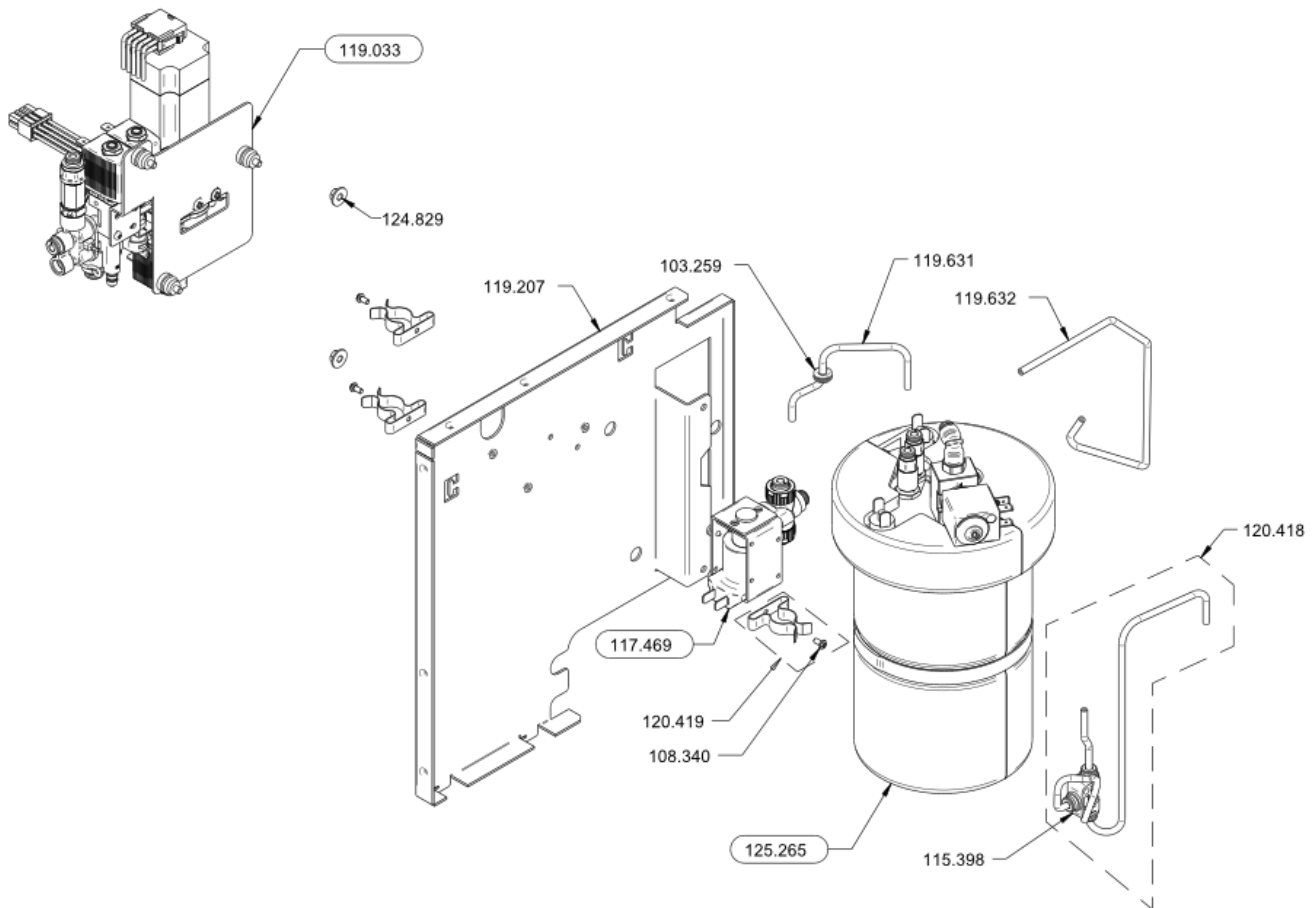
1.4.4.2.2 Middle support, assy.

Article no.	Description	Quantity
103.259	Cable bushing $\varnothing 11/8 \times 5.5$	1
108.340	Socket head screw M3x6 Phillips	1
115.398	T-connector 4-4	1
117.469	Diaphragm valve Hyd.Mod BW2v2/BW3	1
119.033	Milk Pump Aguila, assy.	1
119.207	Middle support	1
119.631	FEP pipe $\varnothing 4/2 \times 140\text{mm}$	1
119.632	Pipe FEP $\varnothing 4/2 \times 180\text{mm}$	1
120.418	Piping set milk	1
120.419	Tool clip set 80-16-3	3
124.829	Hex nuts with flange and serrations M04	2
125.265	Milk Tea/Boiler, 230V assy.	1

1.4.4.2.2 Middle support, assy.



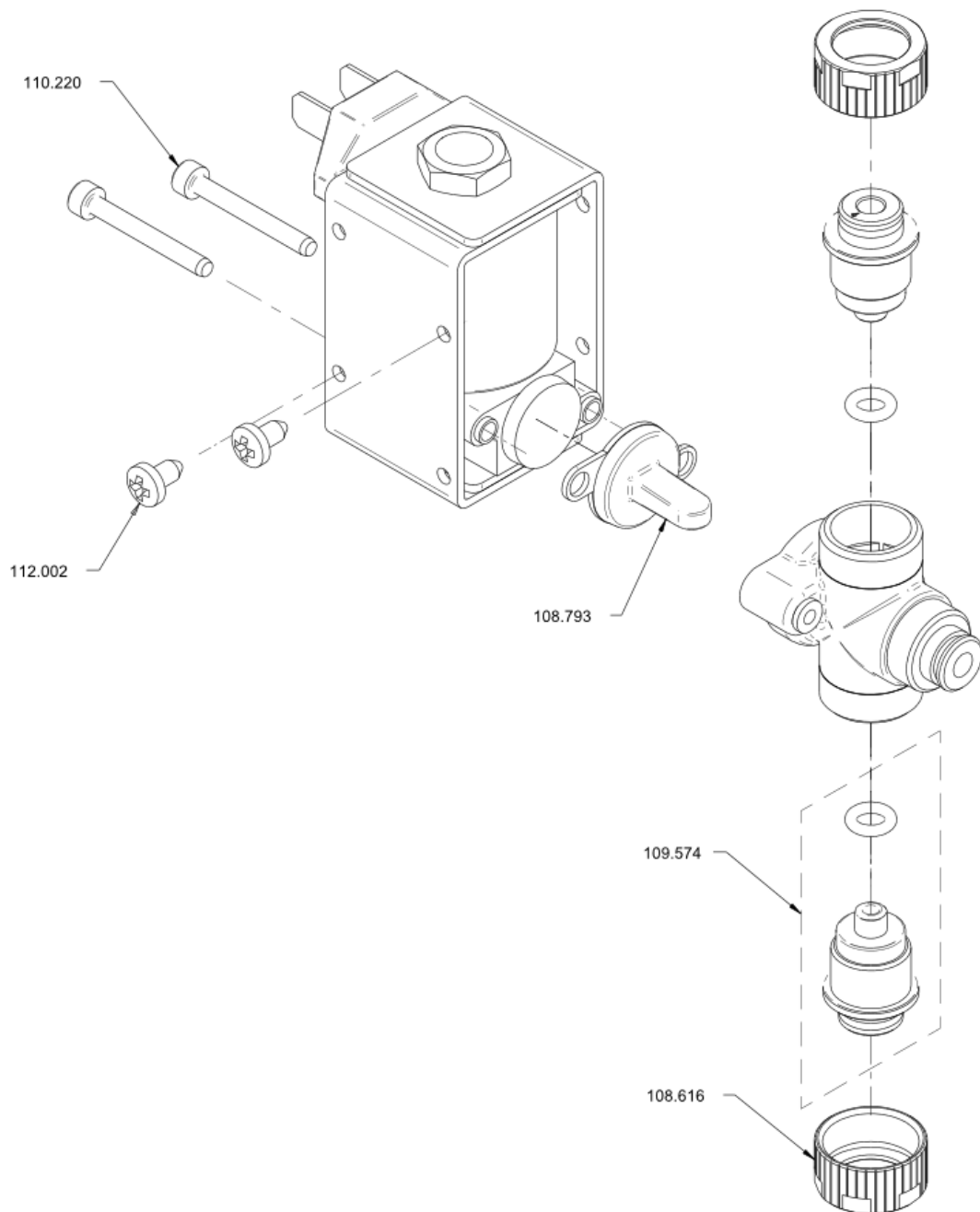
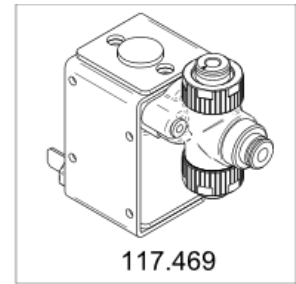
119.139



1.4.4.2.1 Diaphragm valve Hyd.Mod BW2v2/BW3

Article no.	Description	Quantity
108.616	Grooved nut diaphragm valve	2
108.793	Diaphragm	1
109.574	Insert Valve Magma ø4 with O-ring	2
110.220	Socket head screw M3x25	2
112.002	Phillips sheet screw ST 3.5x6.5	2

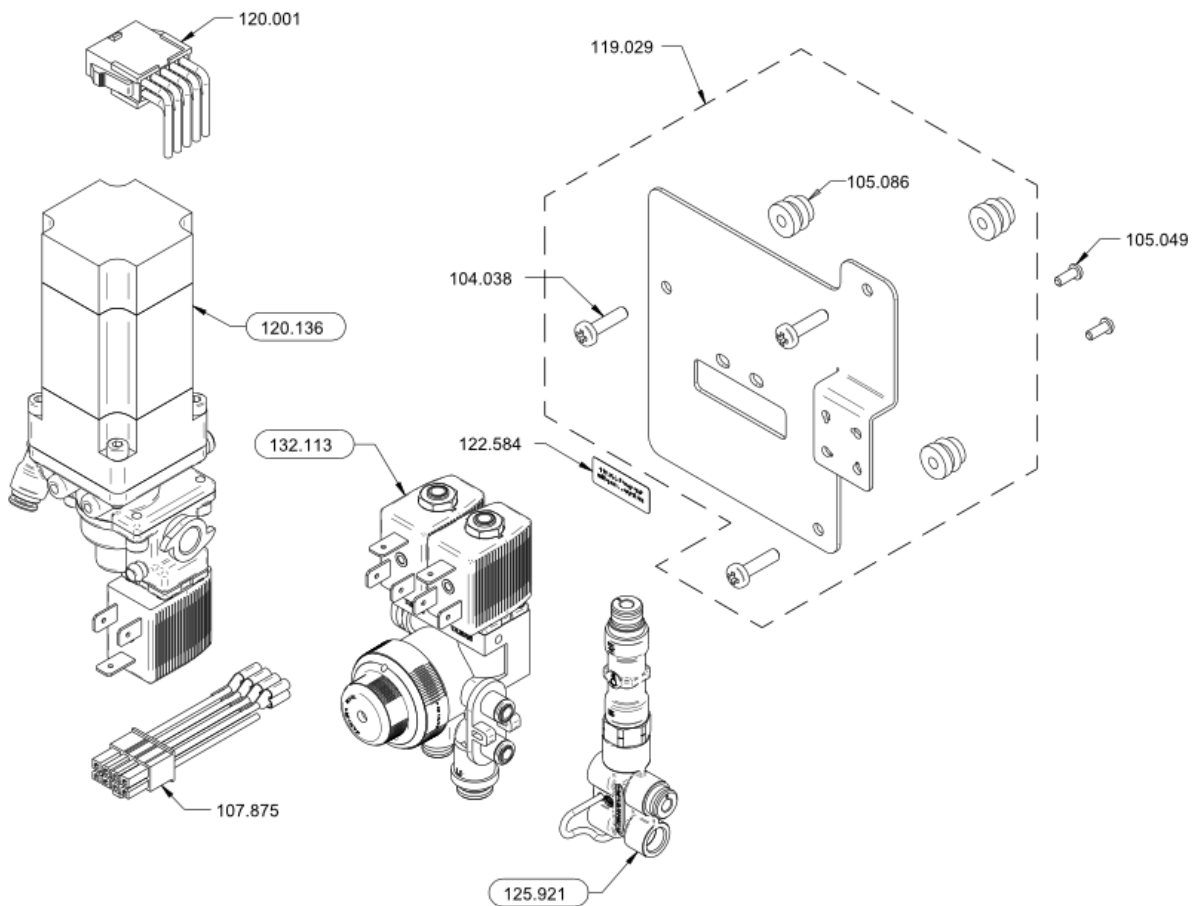
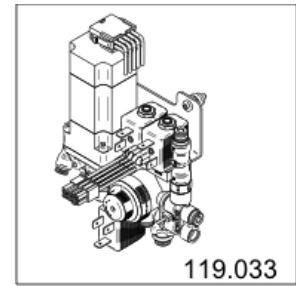
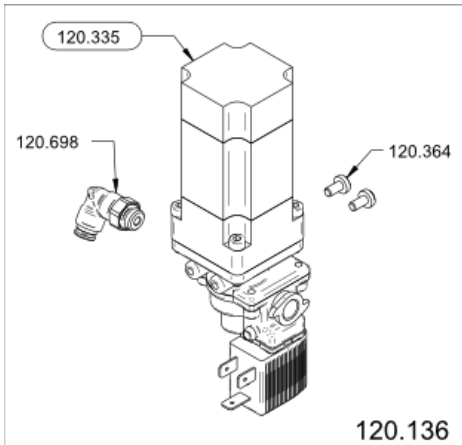
1.4.4.2.2.1 Diaphragm valve Hyd.Mod BW2v2/BW3



1.4.4.2.2 Milk Pump Aguila, assy.

Article no.	Description	Quantity
104.038	Oval head screw Phillips M4x16	3
105.049	Oval head PT screw Phillips KA30x8	2
105.086	Rubber mounting bush M4	3
107.875	Extension wiring harness milk	1
119.029	Support Pump, assy.	1
120.001	Wiring harness milk pump Aguila	1
120.136	Milk Pump set	1
120.335	Milk Pump inox with motor assy.	1
120.364	Screw Phillips M4x8 Tuflok	2
120.698	Elbow connector 4-1/8	1
122.584	Sticker P-unit Aguila with pressregulator	1
125.921	Connection RB to WP with T-con. assy.	1
132.113	Cleaning block with pressreg. assy.	1

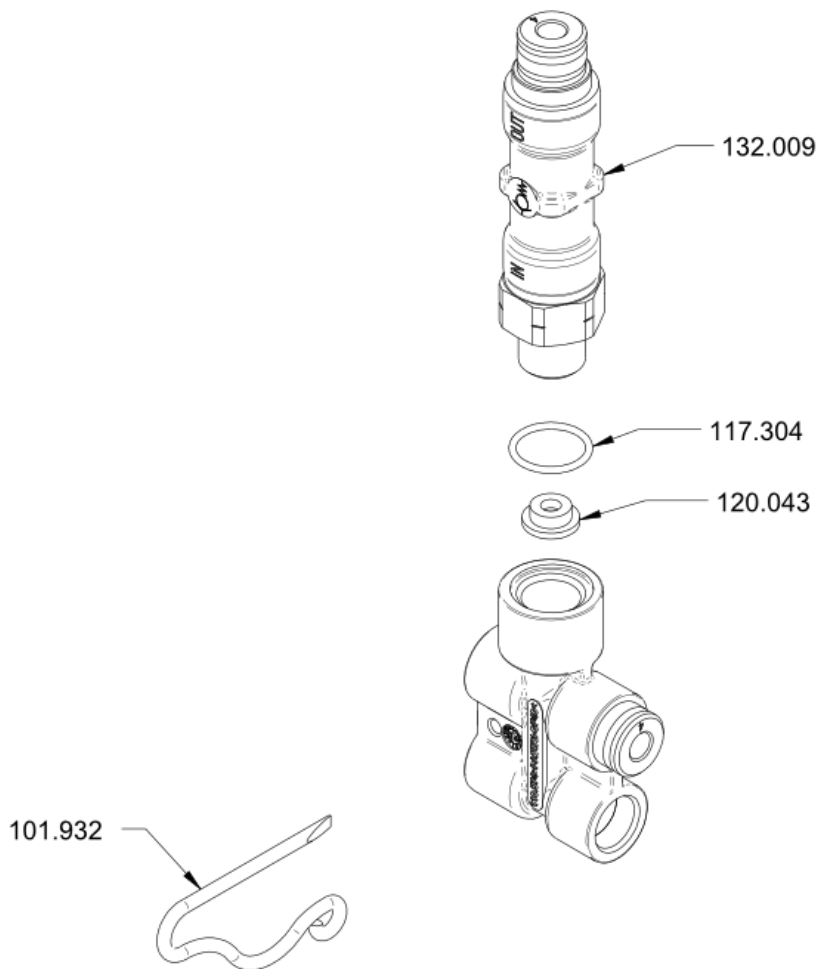
1.4.4.2.2.2 Milk Pump Aguila, assy.



1.4.4.2.2.1 Connection RB to WP with T-con. assy.

Article no.	Description	Quantity
101.932	Spring clip pump	1
117.304	O-Ring 10.00x1.00 EPDM 291	1
120.043	Flow limitation nozzle $\varnothing 0.6$	1
132.009	Check valve $\varnothing 4-1/8"$	1

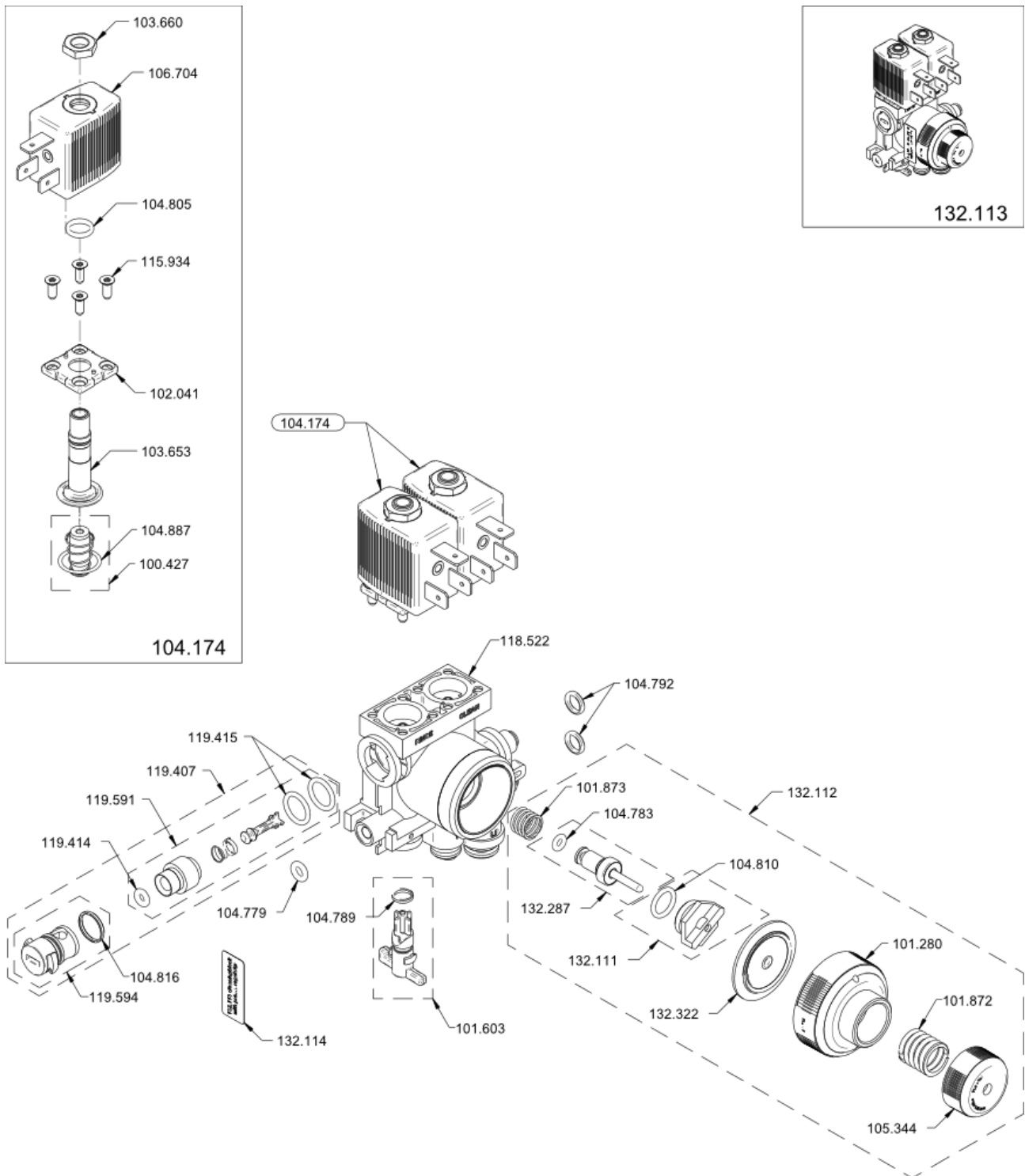
1.4.4.2.2.1 Connection RB to WP with T-con. assy.



1.4.4.2.2.2 Cleaning block with pressreg. assy.

Article no.	Description	Quantity
100.427	Set 2/2 valve plunger with gasket	1
101.280	Cover pressure regulator	1
101.603	Milk bloc flowmeter assy.	1
101.872	Upper spring pressure regulator	1
101.873	Lower spring pressure regulator	1
102.041	Flange for mini-valve	1
103.653	Plunger guide Mini-valve 2/2	1
103.660	Nut for mini-valve	1
104.174	2/2 solenoid valve, assy.	2
104.779	O-Ring 3.69x1.78 EPDM 75.5/KW75F	1
104.783	O-Ring 3.00x1.50 FKM	1
104.789	O-Ring 5.00x1.00 EPDM	1
104.792	O-Ring 5.00x1.50 FKM 75.5/VA75F	2
104.805	O-Ring 7.50x1.50 EPDM	1
104.810	O-Ring 8.00x1.50 VMQ 80.5/SIL80F	1
104.816	O-Ring 9.00x1.00 EPDM 75.5/KW75 F	1
104.887	O-Ring 13.00x1.30 EPDM	1
105.344	Screw plug M18x1.5	1
106.704	Coil for mini-valve	1
115.934	PT flat head screws Torx K30x08	4
118.522	Basis block milk module assy.	1
119.407	Milk check valve assy.	1
119.414	O-Ring 2.90x1.78 EPDM 291	1
119.415	O-Ring 8.00x1.50 EPDM 291	2
119.591	Milk check valve	1
119.594	Cover check valve milk, assy.	1
132.111	Water nozzle assy.	1
132.112	Pressure regulator, assy.	1
132.114	Sticker c-block with pressregulator	1
132.287	Valve pressure regulator, assy. Inox	1
132.322	Membrane ø28.5 pressure regulator Inox	1

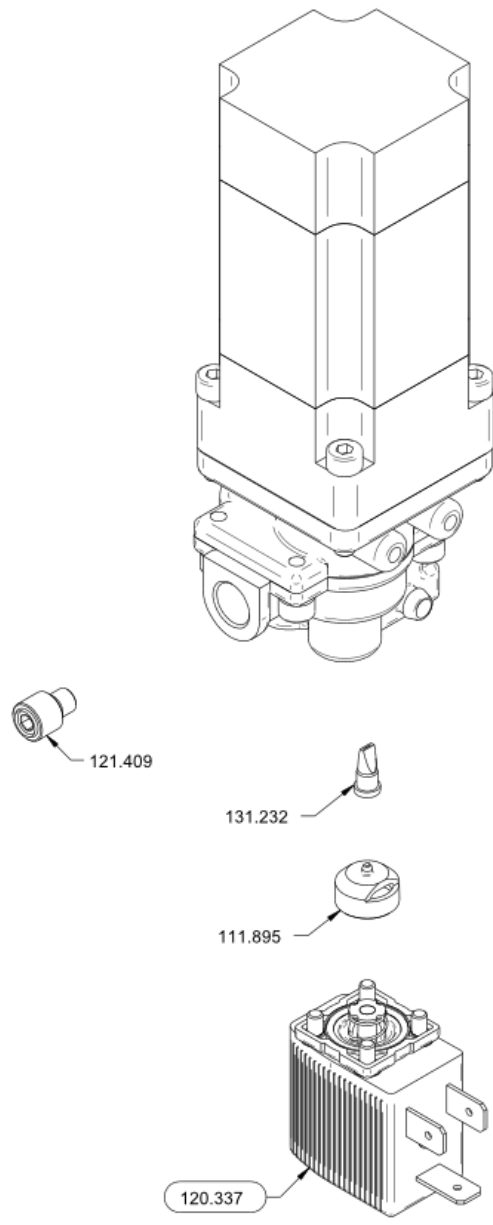
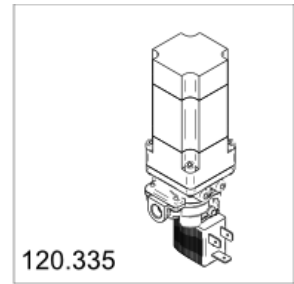
1.4.4.2.2.2 Cleaning block with pressreg. assy.



1.4.4.2.2.3 Milk Pump inox with motor assy.

Article no.	Description	Quantity
111.895	Support duckbill	1
120.337	3/2 mini solenoid valve, assy.	1
121.409	Nozzle to milk pump PEEK	1
131.232	Check valve duckbill light blue	1

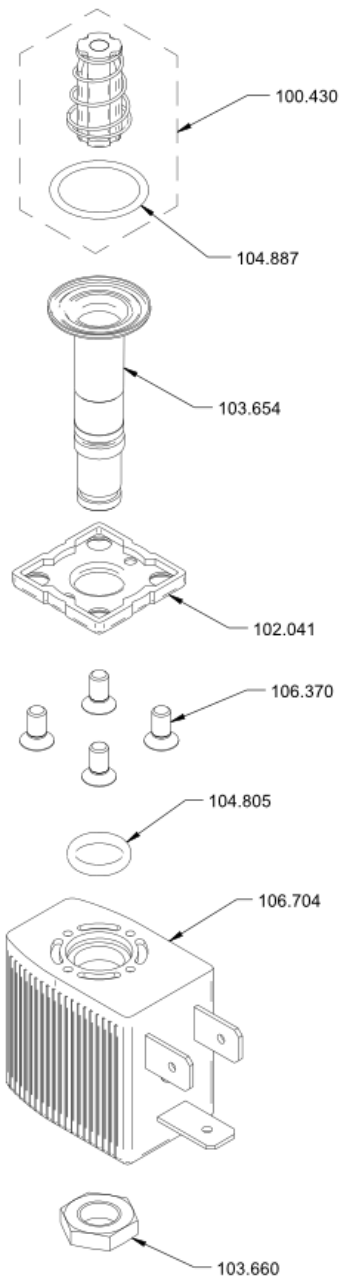
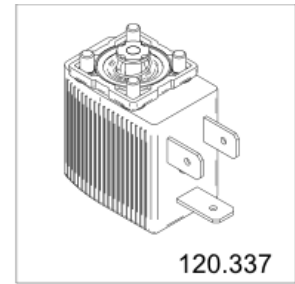
1.4.4.2.2.3 Milk Pump inox with motor assy.



1.4.4.2.2.3.1 3/2 mini solenoid valve, assy.

Article no.	Description	Quantity
100.430	Set 3/2 valve plunger with gasket	1
102.041	Flange for mini-valve	1
103.654	Plunger guide 3/2 ways mini-valve	1
103.660	Nut for mini-valve	1
104.805	O-Ring 7.50x1.50 EPDM	1
104.887	O-Ring 13.00x1.30 EPDM	1
106.370	Countersunk screw M3x6 Torx	4
106.704	Coil for mini-valve	1

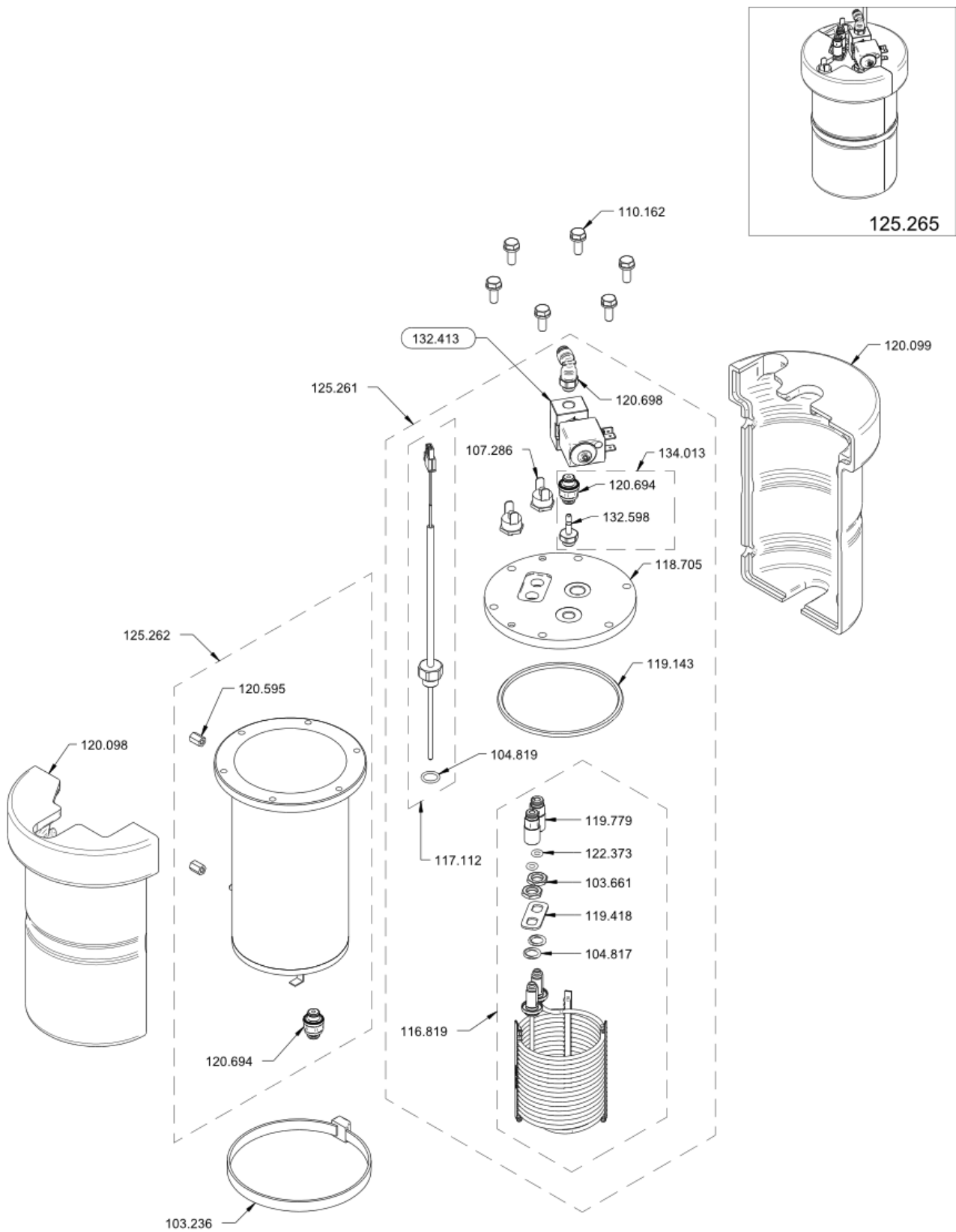
1.4.4.2.2.3.1 3/2 mini solenoid valve, assy.



1.4.4.2.3 Milk Tea/Boiler, 230V assy.

Article no.	Description	Quantity
103.236	Cable tie 530x8.9	1
103.661	Nut G1/8"	2
104.817	O-Ring 9.00x2.00 EPDM	2
104.819	O-Ring 10.82x1.78 VMQ	1
107.286	Thermal security 125°C HM	2
110.162	Hexagonal head screw combi M06x16	6
116.819	Milk heating coil BW2/BW3 assy.	1
117.112	NTC Sensor Boiler	1
118.705	Cover milk tea boiler	1
119.143	O-Ring 88.00x4.00 EPDM	1
119.418	Safety sheet	1
119.779	Coil connection assy.	2
120.098	Isolating milk tea boiler left	1
120.099	Isolating milk tea boiler right	1
120.595	Hexagonal spacer M4x10	2
120.694	Straight connector 4-1/8	1
120.694	Straight connector 4-1/8	1
120.694	Straight connector 4-1/8	1
120.698	Elbow connector 4-1/8	1
122.373	O-Ring 5.28x1.78 EPDM	2
125.261	Cover milk tea boiler, assy. Halcon	1
125.262	Housing to Milk/Tea Boiler 230V	1
132.413	Solenoid valve 2/2, ø1.1, small NFC	1
132.598	Straight screwed coupling 4-1/8	1
134.013	Straight connector set	1

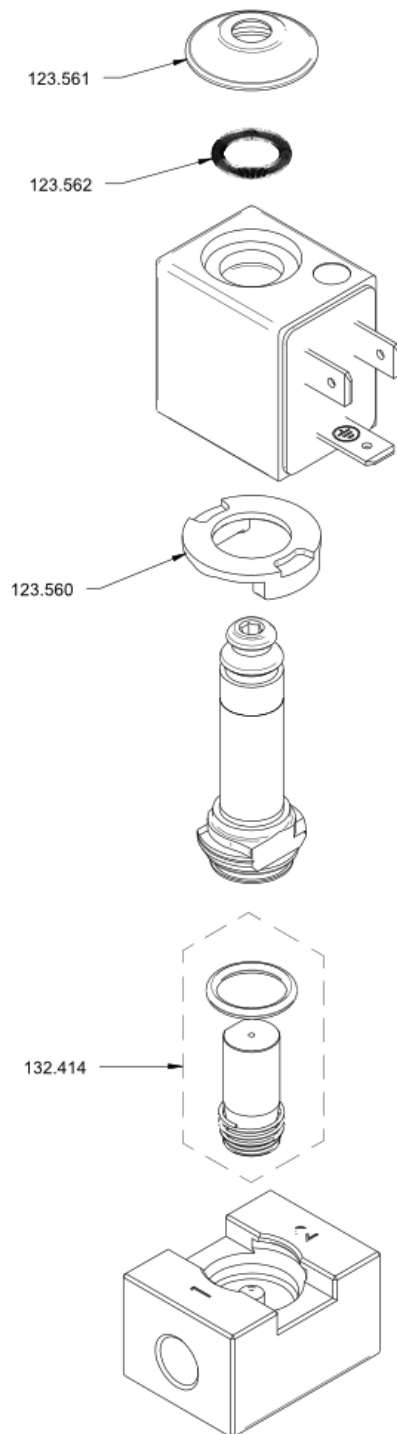
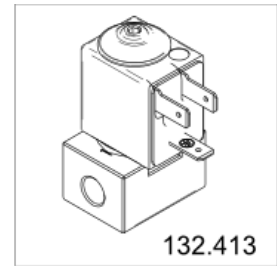
1.4.4.2.2.3 Milk Tea/Boiler, 230V assy.



1.4.4.2.2.3.1 Solenoid valve 2/2, ø1.1, small NFC

Article no.	Description	Quantity
123.560	Supporting ring	1
123.561	Protection cap	1
123.562	Spring to magnet valve	1
132.414	Plunger kit 2/2 NFC	1

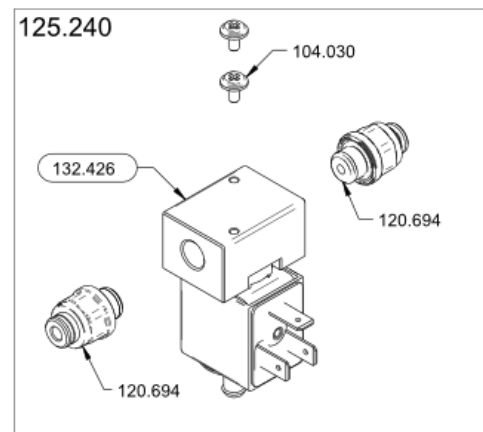
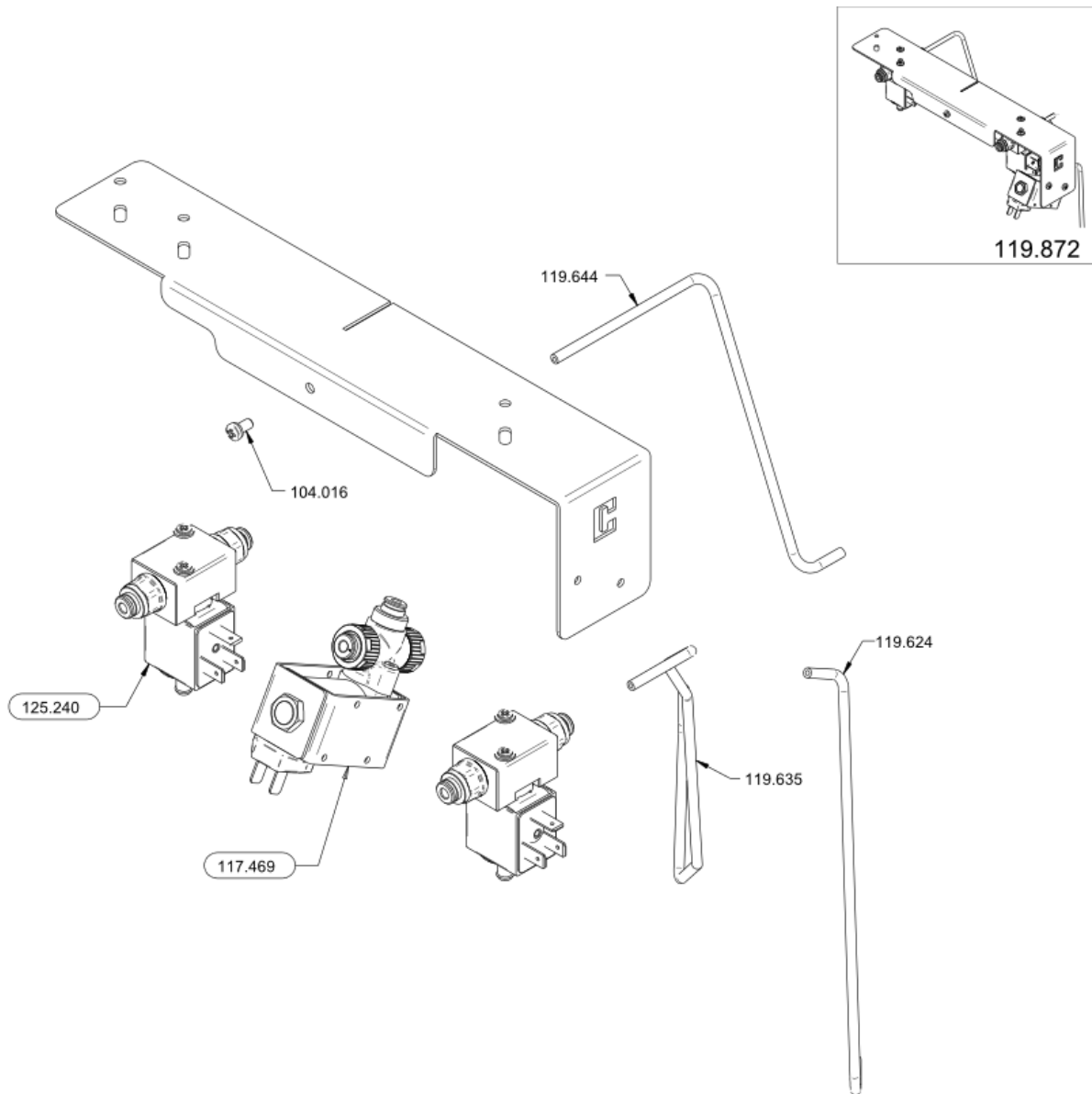
1.4.4.2.2.3.1 Solenoid valve 2/2, $\phi 1.1$, small NFC



1.4.4.2.3 Support valve assy.

Article no.	Description	Quantity
104.016	Oval head Phillips combi screw M4x8	1
104.030	Oval pan head screw Phi. eco-fix M3x6	2
104.030	Oval pan head screw Phi. eco-fix M3x6	2
117.469	Diaphragm valve Hyd.Mod BW2v2/BW3	1
119.624	FEP pipe $\varnothing 4/2$ x 260mm	1
119.635	FEP pipe $\varnothing 4/2$ x 380mm	1
119.644	FEP pipe $\varnothing 4/2$ x 210mm	1
120.694	Straight connector 4-1/8	2
125.240	Solenoid valve 3/2, $\varnothing 1.1$, set	2
132.426	Solenoid valve 3/2, $\varnothing 1.1$, small NFC	1

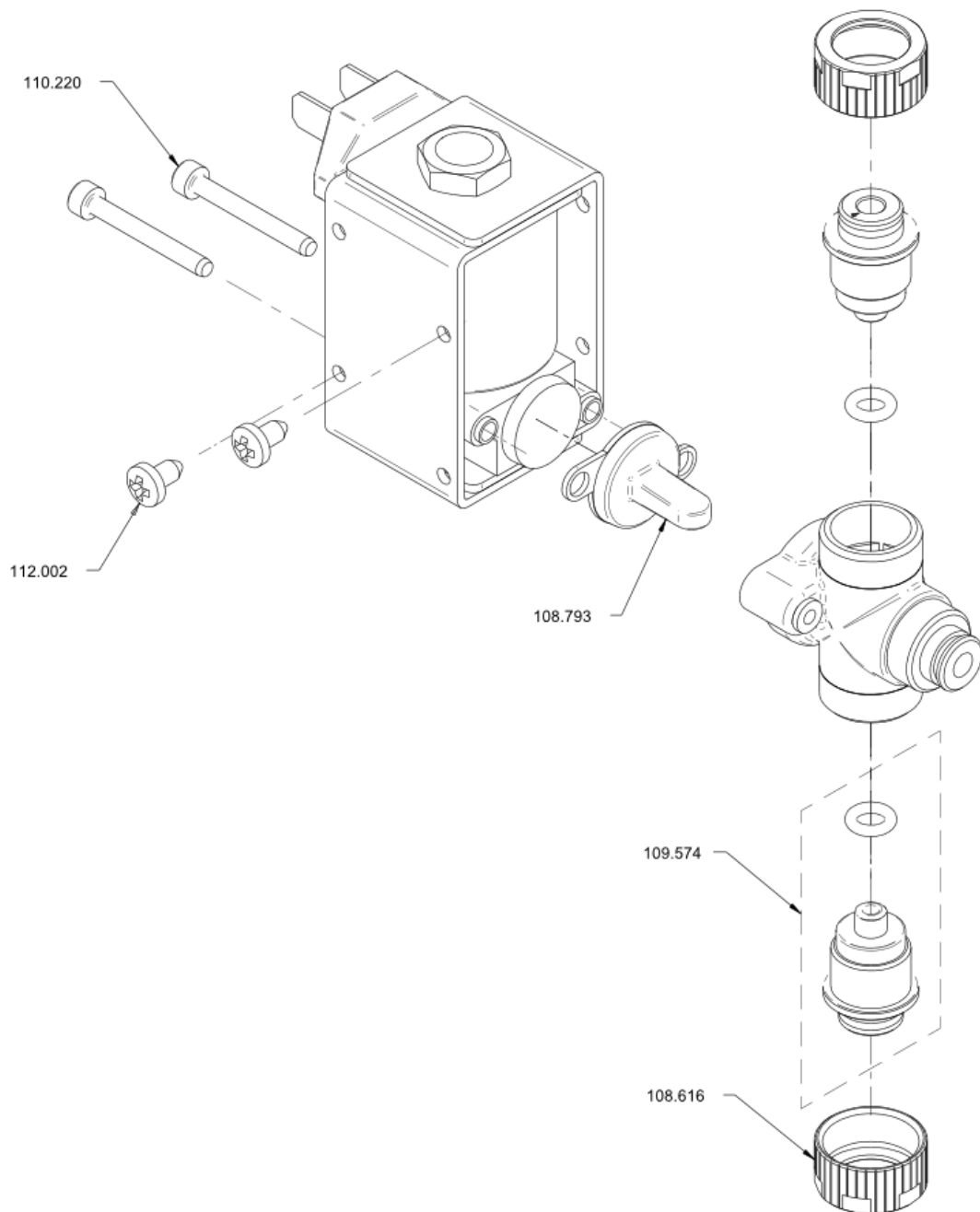
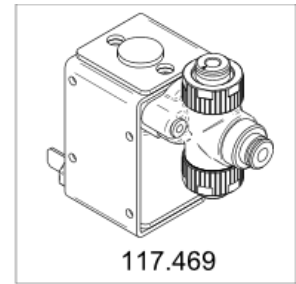
1.4.4.2.3 Support valve assy.



1.4.4.2.3.1 Diaphragm valve Hyd.Mod BW2v2/BW3

Article no.	Description	Quantity
108.616	Grooved nut diaphragm valve	2
108.793	Diaphragm	1
109.574	Insert Valve Magma ø4 with O-ring	2
110.220	Socket head screw M3x25	2
112.002	Phillips sheet screw ST 3.5x6.5	2

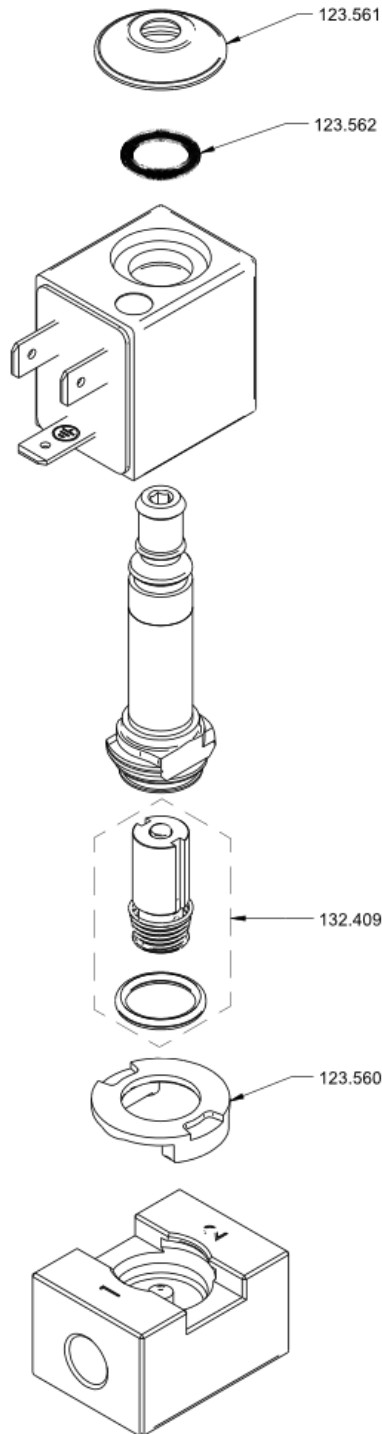
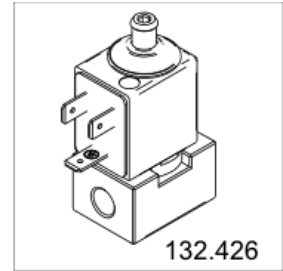
1.4.4.2.3.1 Diaphragm valve Hyd.Mod BW2v2/BW3



1.4.4.2.3.2 Solenoid valve 3/2, ø1.1, small NFC

Article no.	Description	Quantity
123.560	Supporting ring	1
123.561	Protection cap	1
123.562	Spring to magnet valve	1
132.409	Plunger kit 3/2 NFC	1

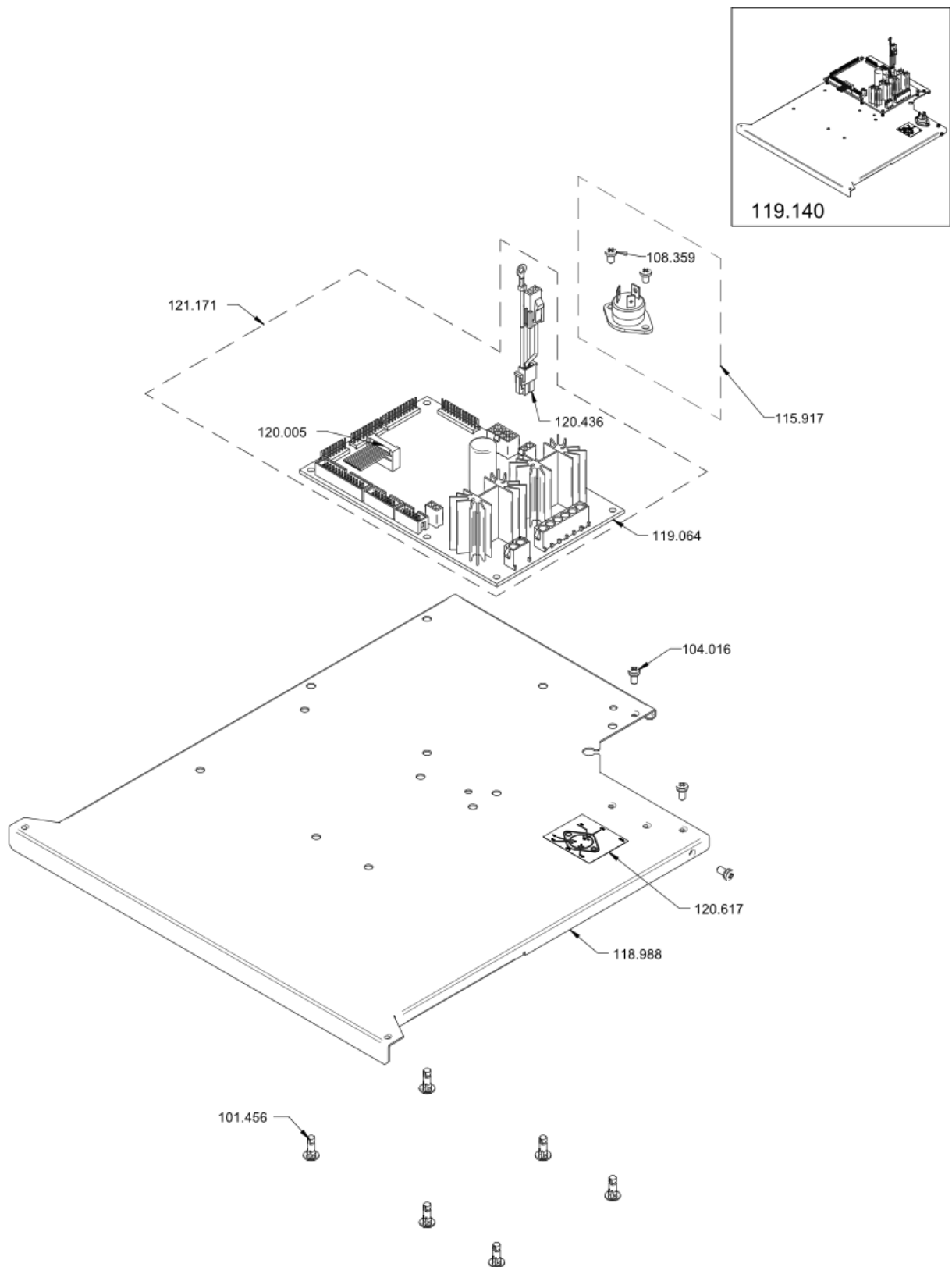
1.4.4.2.3.2 Solenoid valve 3/2, ø1.1, small NFC



1.4.4.2.4 Top support, assy.

Article no.	Description	Quantity
101.456	Deck support piece ø5.5x8mm	12
104.016	Oval head Phillips combi screw M4x8	4
108.359	Socket flat head screw M4x6	2
115.917	Set Triac	1
118.988	Support top	1
119.064	Power Board EAPB Aguila	1
120.005	Ribbon cable display Aguila	1
120.436	Intermediate cable 24V	1
120.617	Sticker Triac Aguila	1
121.171	Power Board EAPB assy.	1

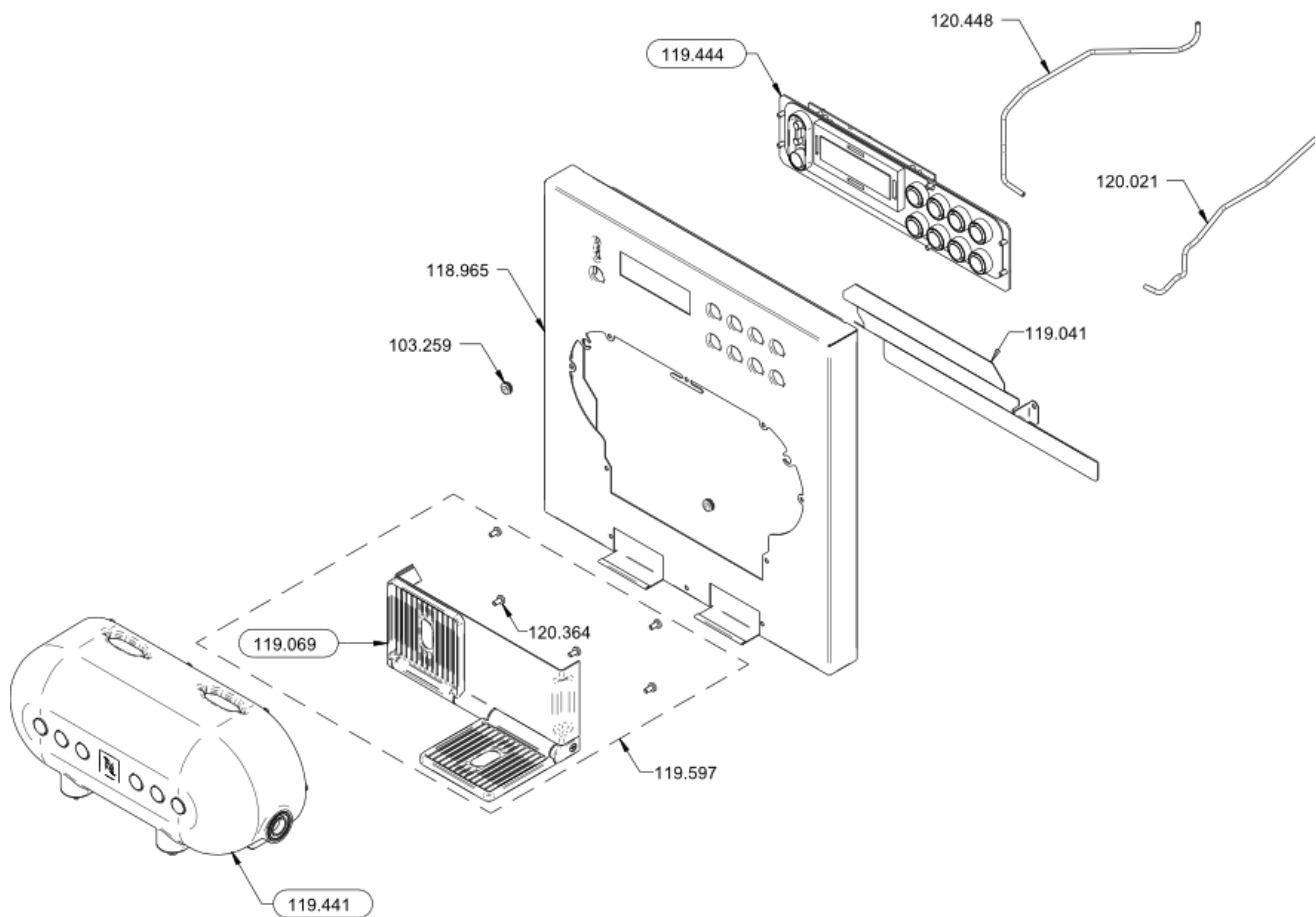
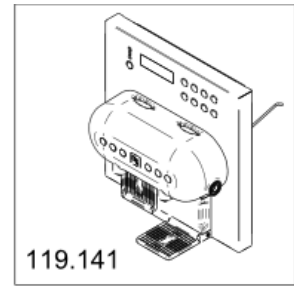
1.4.4.2.4 Top support, assy.



1.4.4.2.5 Front, assy.

Article no.	Description	Quantity
103.259	Cable bushing $\varnothing 11/8 \times 5.5$	2
118.965	Front sheet	1
119.041	Ejection sheet metal	1
119.069	Cup support, assy.	1
119.441	Doublehead, assy.	1
119.444	Keys with Display, assy.	1
119.597	Cup support set	1
120.021	FEP hose $\varnothing 4/2 \times 390\text{mm}$	1
120.364	Screw Phillips M4x8 Tuflok	5
120.448	FEP pipe $\varnothing 4/2 \times 440\text{mm}$	1

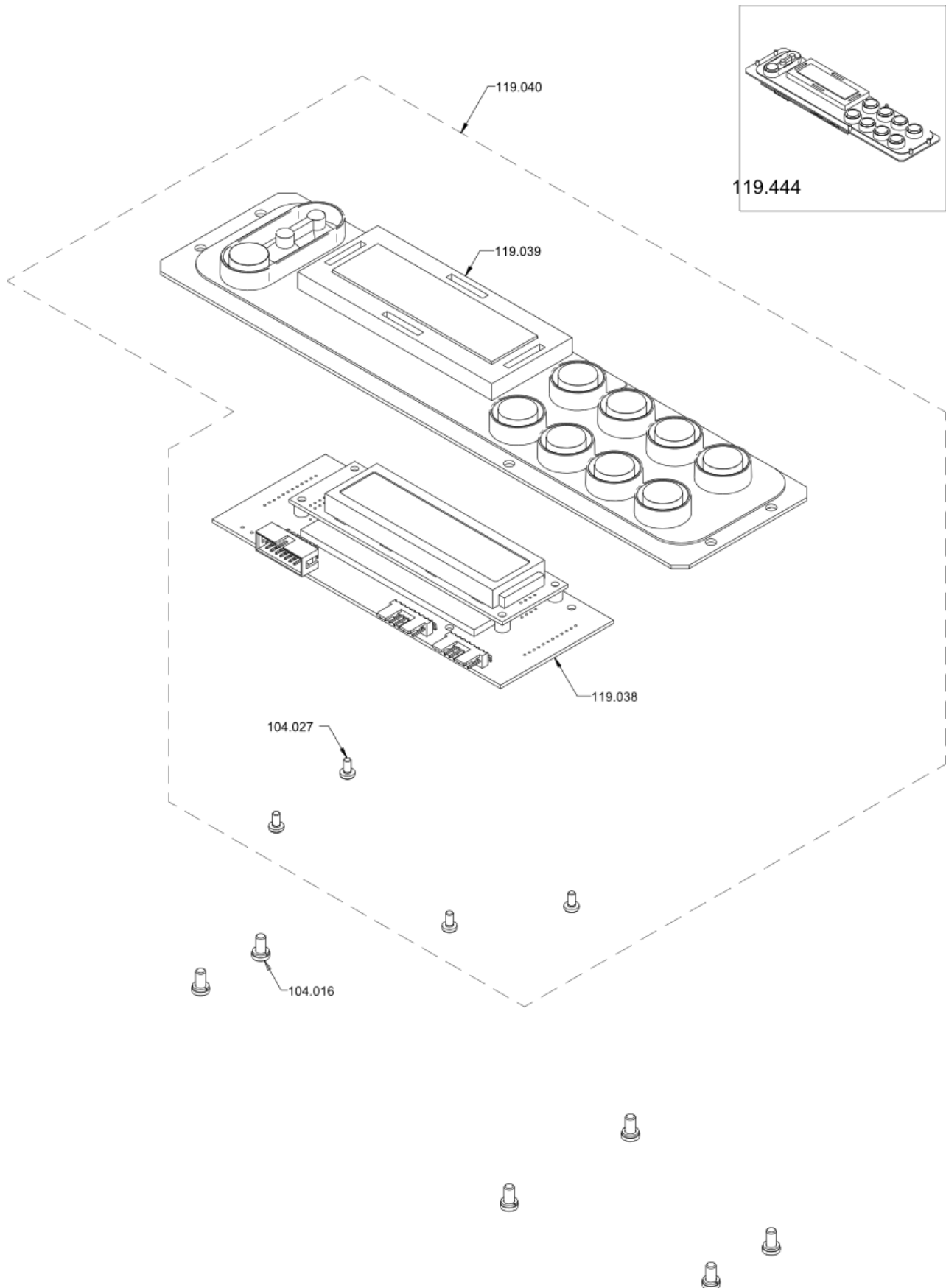
1.4.4.2.5 Front, assy.



1.4.4.2.5.1 Keys with Display, assy.

Article no.	Description	Quantity
104.016	Oval head Phillips combi screw M4x8	6
104.027	Oval head screw Phillips M3x6	4
119.038	Displayprint EADI	1
119.039	Keyboard Tea-Milk	1
119.040	Keys with Display, assy.	1

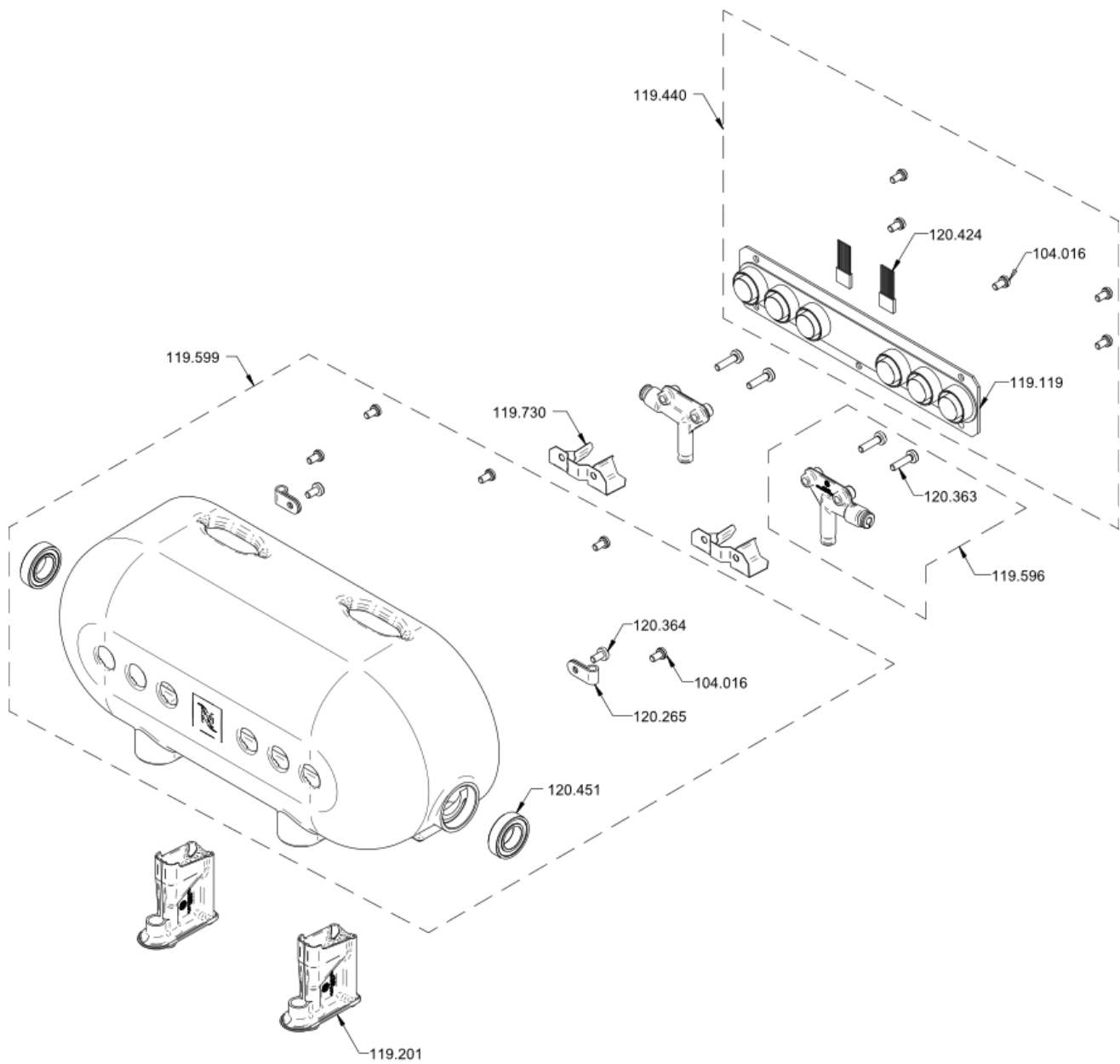
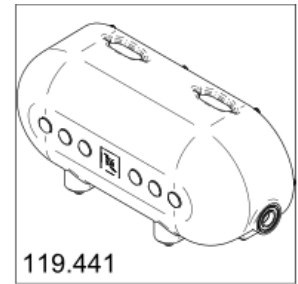
1.4.4.2.5.1 Keys with Display, assy.



1.4.4.2.5.2 Doublehead, assy.

Article no.	Description	Quantity
104.016	Oval head Phillips combi screw M4x8	5
104.016	Oval head Phillips combi screw M4x8	5
119.119	Keyboard Coffee	1
119.201	Coffee outlet	2
119.440	Keyboard Coffee, assy.	1
119.596	Milk + Tea outlet set	2
119.599	Doublehead set	1
119.730	Spring clip outlet	2
120.265	Attachment-Clip 4.8	2
120.363	Screw phillips M4x16 Tuflok	2
120.364	Screw Phillips M4x8 Tuflok	2
120.424	Ribbon cable coffee keyboard	2
120.451	Ball bearing 61902	2

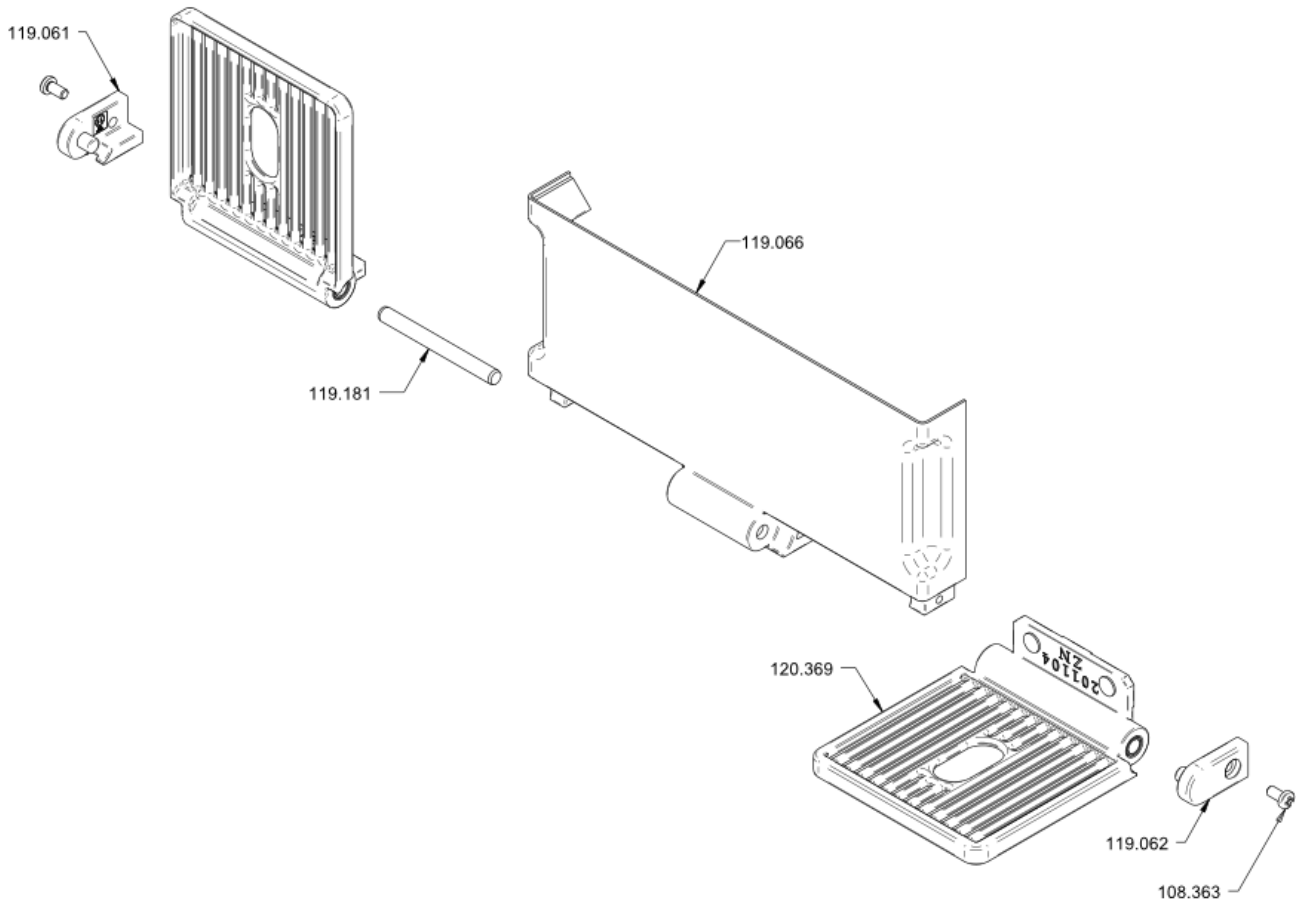
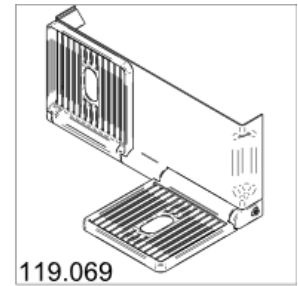
1.4.4.2.5.2 Doublehead, assy.



1.4.4.2.5.3 Cup support, assy.

Article no.	Description	Quantity
108.363	Socket flat head screw Phillips H M4x8	2
119.061	Left fixation cup support	1
119.062	Right fixation cup support	1
119.066	Cup support	1
119.181	Straight pin ø6x60	1
120.369	Grid for cup support assy.	2

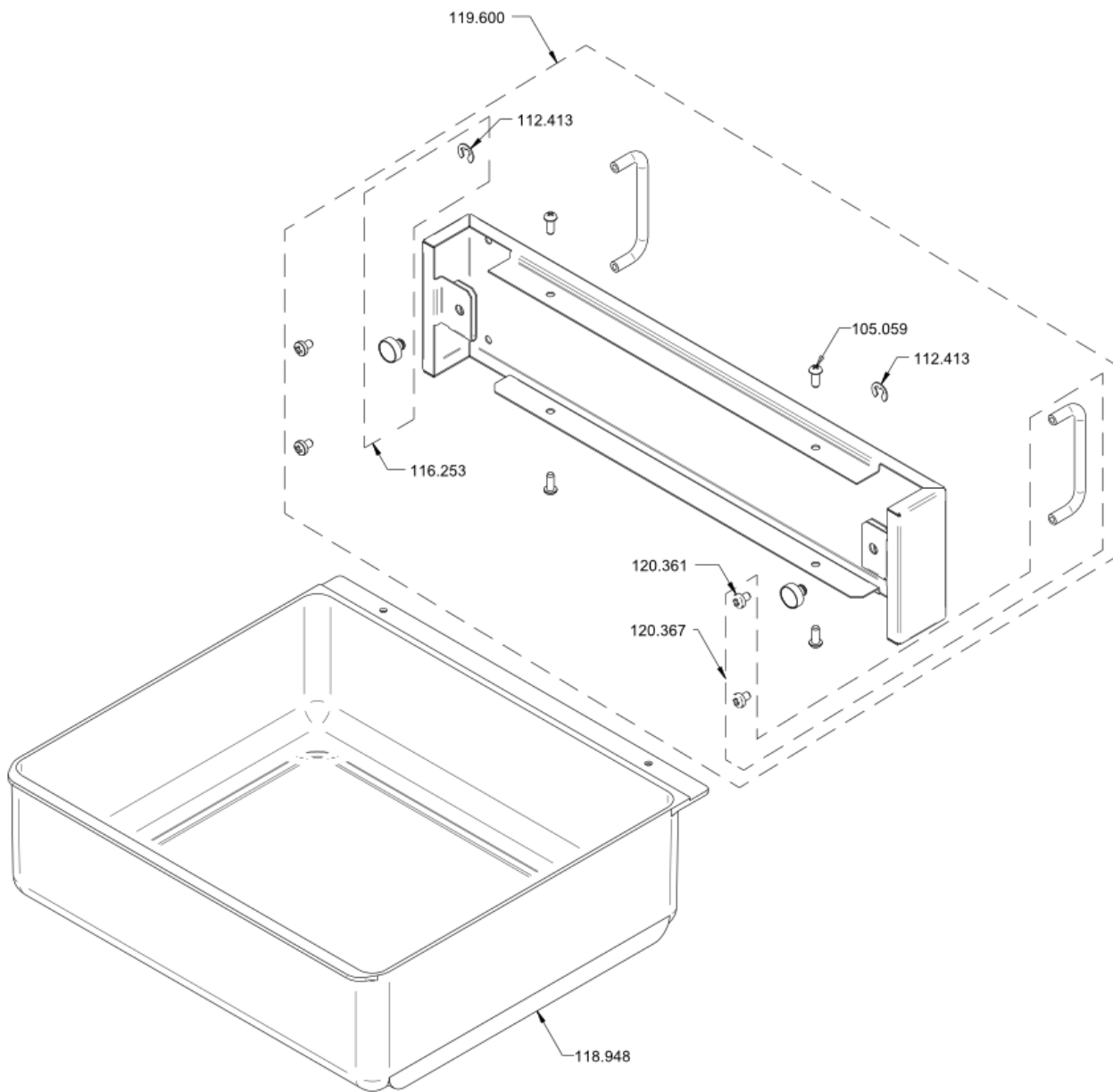
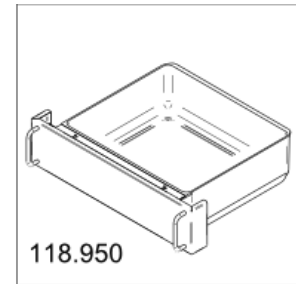
1.4.4.2.5.3 Cup support, assy.



1.4.5 Grounds drawer assy.

Article no.	Description	Quantity
105.059	Oval head PT screw Phillips KA40x10	4
112.413	Lock washer ø5 for shaft	1
116.253	Magnet + clips steam handle	2
118.948	Grounds drawer	1
119.600	Front sheet grounds drawer set	1
120.361	Oval head screw M4x6 Tuflok	2
120.367	Holding clamp set Aguila	2

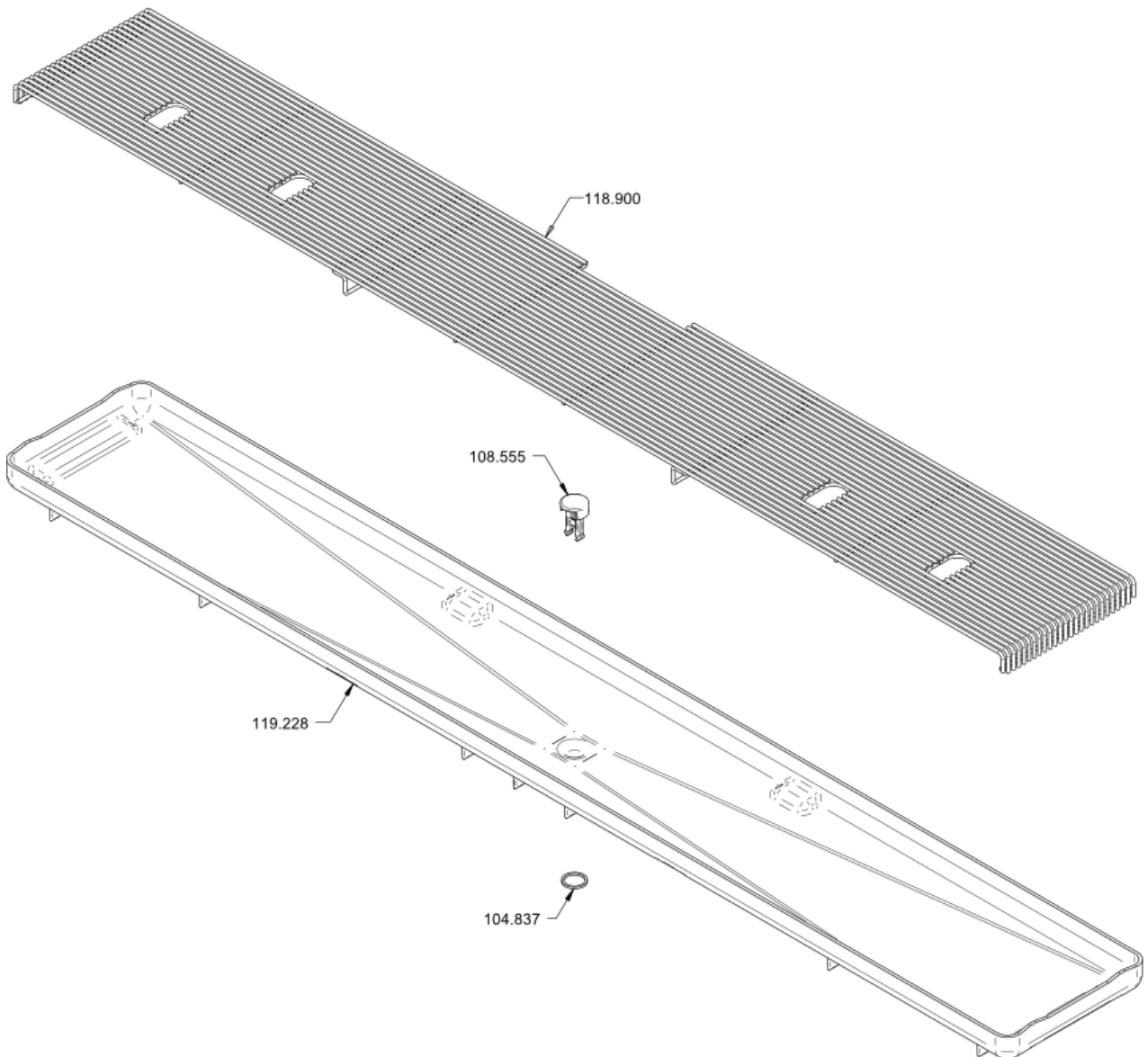
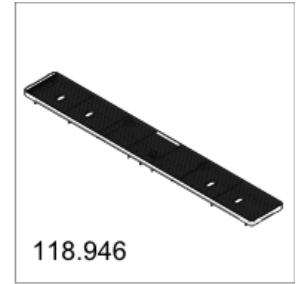
1.4.5 Grounds drawer assy.



1.4.6 Drip tray assy.

Article no.	Description	Quantity
104.837	O-Ring 14.00x1.78 FKM	1
108.555	Cap drip tray	1
118.900	Drip tray grill Aguila	1
119.228	Drip tray insert	1

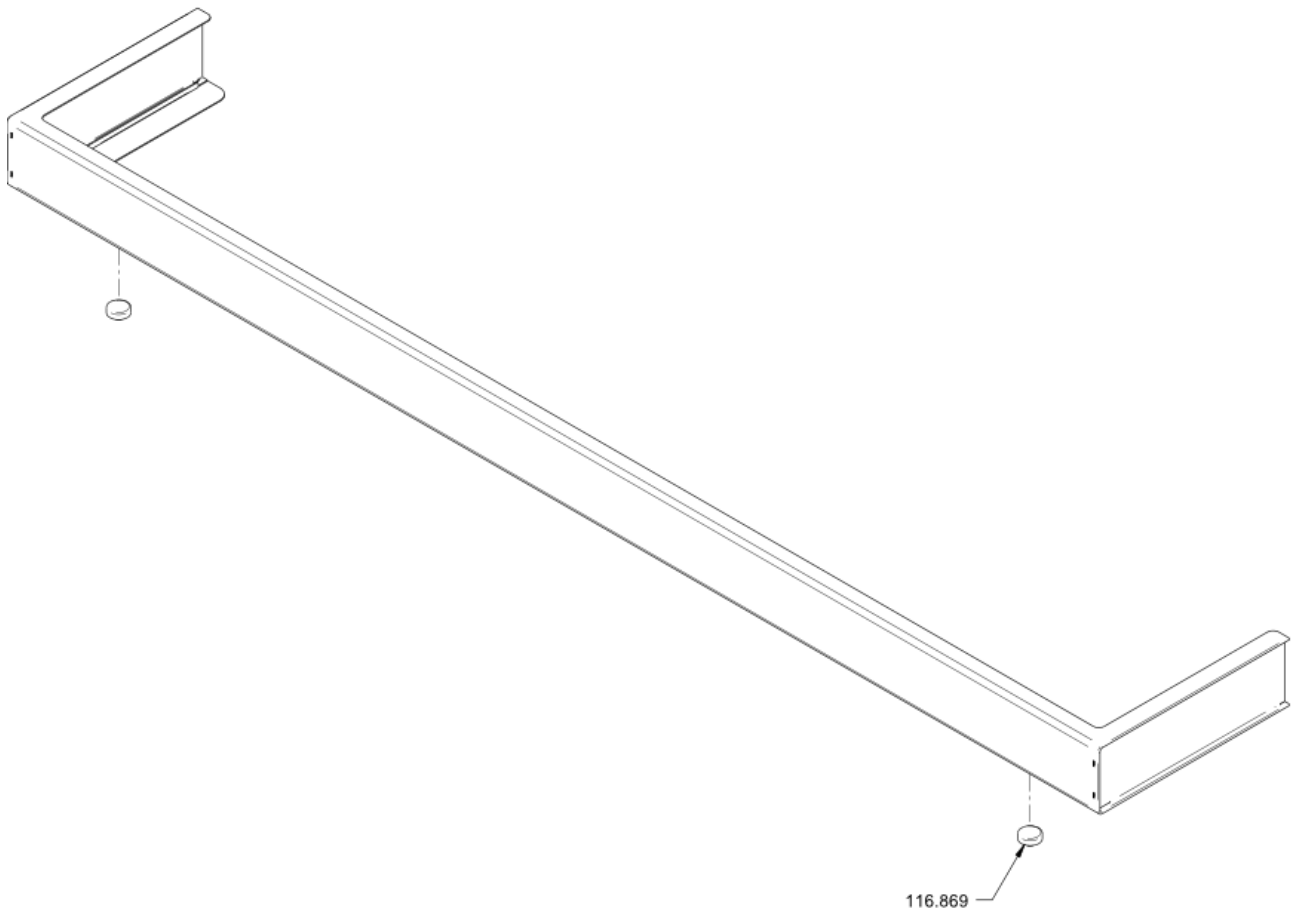
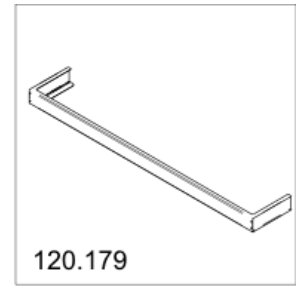
1.4.6 Drip tray assy.



1.4.7 Frame front set drip tray

Article no.	Description	Quantity
116.869	Puffer button ø16x1(8)	2

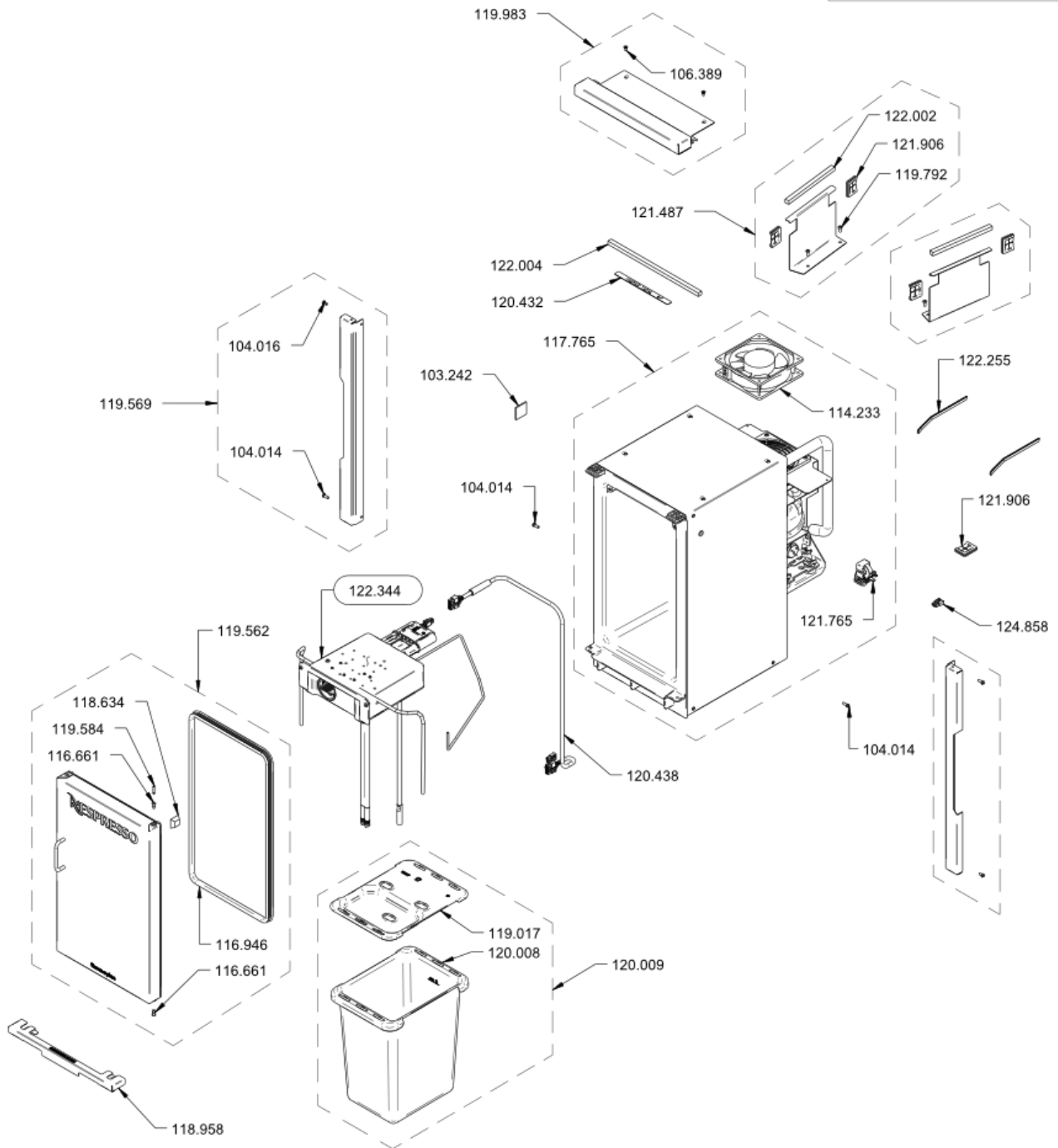
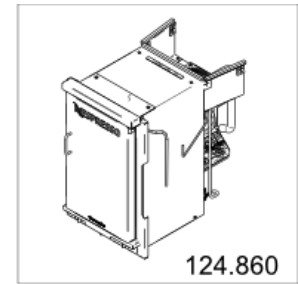
1.4.7 Frame front set drip tray



1.5 Refrigerator 115V set Aguila US

Article no.	Description	Quantity
103.242	Tie-wrap socle selfadhesive 28x28mm	1
104.014	Oval head Phillips combi screw M4x12	1
104.014	Oval head Phillips combi screw M4x12	1
104.014	Oval head Phillips combi screw M4x12	2
104.016	Oval head Phillips combi screw M4x8	1
106.389	Countersunk screw Phillips M4x8	2
114.233	Axial fan 115V/60Hz 120x120x38	1
116.661	Door nail Refrigerator	2
116.946	Door seal Refrigerator BW2/BW3	1
117.765	Cooling refrigerator assembly 115V BW2/BW3	1
118.634	Rubber buffer black	1
118.958	Facing panel bottom Refrigerator	1
119.017	Milk container cover 5L	1
119.562	Door assy v2 set Refrigerator	1
119.569	Facing panel le+ri set Refrigerator	2
119.584	Socket headless srew M03x18	1
119.792	Sheet screw Phillips 3.9x9.5	2
119.983	Facing panel top set Refrigerator	1
120.008	Milk container 5L	1
120.009	Milk container 5L assy.	1
120.432	Label "Lock out all sources"	1
120.438	Cable connection RF-Box-CPU 10p. 1Milk	1
121.487	Air deflector RF assy.	2
121.765	Starting device set for LG compressor 115V	1
121.906	Cable grommet	2
121.906	Cable grommet	1
122.002	Sponge rubber 9x8x143mm	1
122.004	Sponge rubber 9x8x244mm	1
122.255	Edge protection profile Refriger. L=126mm	2
122.344	RF-Box assy. v3 Aguila double milk hose	1
124.858	Wiring harness RF/w.-pump 208V/115V US	1

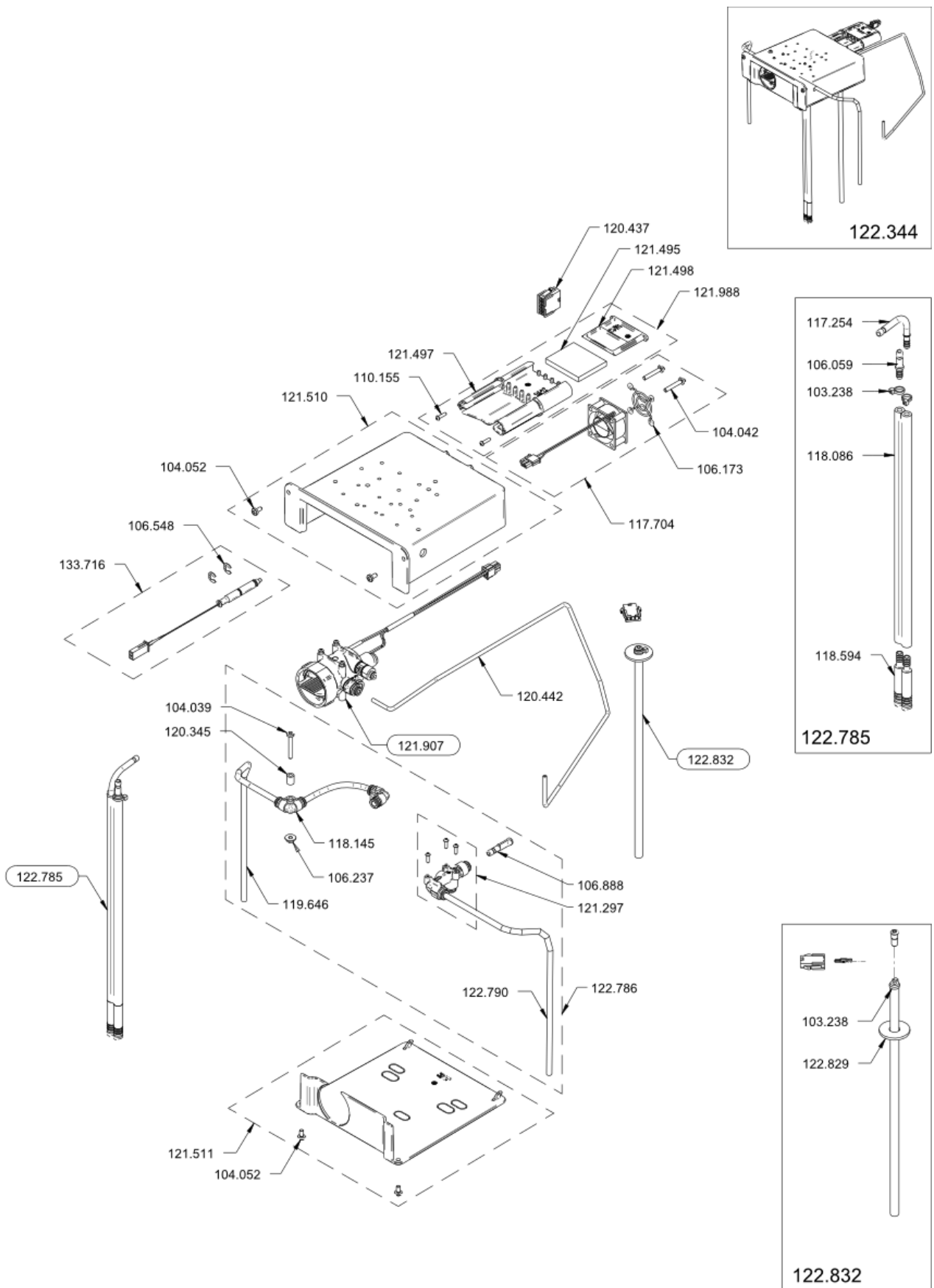
1.5 Refrigerator 115V set Aguila US



1.5.1 RF-Box assy. v3 Aguila double milk hose

Article no.	Description	Quantity
103.238	Cable tie	1
103.238	Cable tie	2
104.039	Oval head screw Phillips M4x30	1
104.042	Oval head screw Phillips M4x25	2
104.052	Phillips screw M4x8 Eco-fix	2
104.052	Phillips screw M4x8 Eco-fix	2
106.059	Coupling ø6	1
106.173	Grid	1
106.237	Hexagonal nut M4 kombi	1
106.548	Circlip for shaft ø6	2
106.888	Cap ø6mm	1
110.155	PT srew KA30x12 phillips	2
117.254	Milk sucking in angle Refrig. BW2/BW3	1
117.704	Axial-fan 24VDC set Refriger. BW2/BW3	1
118.086	Silicone hose double ø9.5/5 x 275mm	1
118.145	Angle plug connection 6-6 PVDF	1
118.594	Suction hull with filter long	2
119.646	FEP pipe ø6/4 x 300mm	1
120.345	Distance spacer 4.2/8x10	1
120.437	Wiring harness RF-Box w/o v. clean. key	1
120.442	FEP pipe ø4/2 x 1000mm	1
121.297	Connector (4-circuit conn.) assy. RF-Box	1
121.495	Seal plate (Cable guiding RF-Box)	1
121.497	Cable guidage	1
121.498	Cabel guidage (cover)	1
121.510	Valve support box set	1
121.511	Valve support box cover set	1
121.907	Cleaning System v3 Milkway assy. Aguila	1
121.988	Cable guidage set RF-Box	1
122.785	Milk suction hose 2 Level assy. v3	1
122.786	Piping set cleaning System assy. v3	1
122.790	FEP pipe ø6/4 x 330mm	1
122.829	Flat washer M10, PA6.6, white	1
122.832	Level detector assy. to RF-Box Aguila	1
133.716	NTC 4.0 refrigerator-air assy.	1

1.5.1 RF-Box assy. v3 Aguila double milk hose



1.5.1.1 Cleaning System v3 Milkway assy. Aguila

Article no.	Description	Quantity
101.383	Seal 1/8"	2
101.992	Mesh for Water ø8.5mm	1
104.785	O-Ring 4.48x1.78 EPDM	1
104.788	O-Ring 5.28x1.78 EPDM	1
105.050	Oval head PT screw Phi. KA30x8	1
107.944	Hexagon socket screw plug G1/8"	1
120.257	O-Ring 27.5x3.00 EPDM	1
120.570	Pressure control valve 0.2bar assy.	1
120.694	Straight connector 4-1/8	1
120.930	Cleaning Key milkway assy.	1
120.931	Cleaning lock milkway set	1
121.308	Hydraulic plug ø8/4-G1/8" female thread	1
121.450	Chack valve assy. (Cleaning key)	1
121.464	PT screw KA30x10 philips	3
121.494	Diaphragm valve 2/2, ø2.0, small, assy.	1
121.536	Reed switch for cleaning lock milkway	1
132.067	Piston cleaning tab detection blue assy.	1

1.5.1.1 Cleaning System v3 Milkway assy. Aguila

