

# Spare parts catalogue

Coffee mach. Aguila AG440/US



## Content

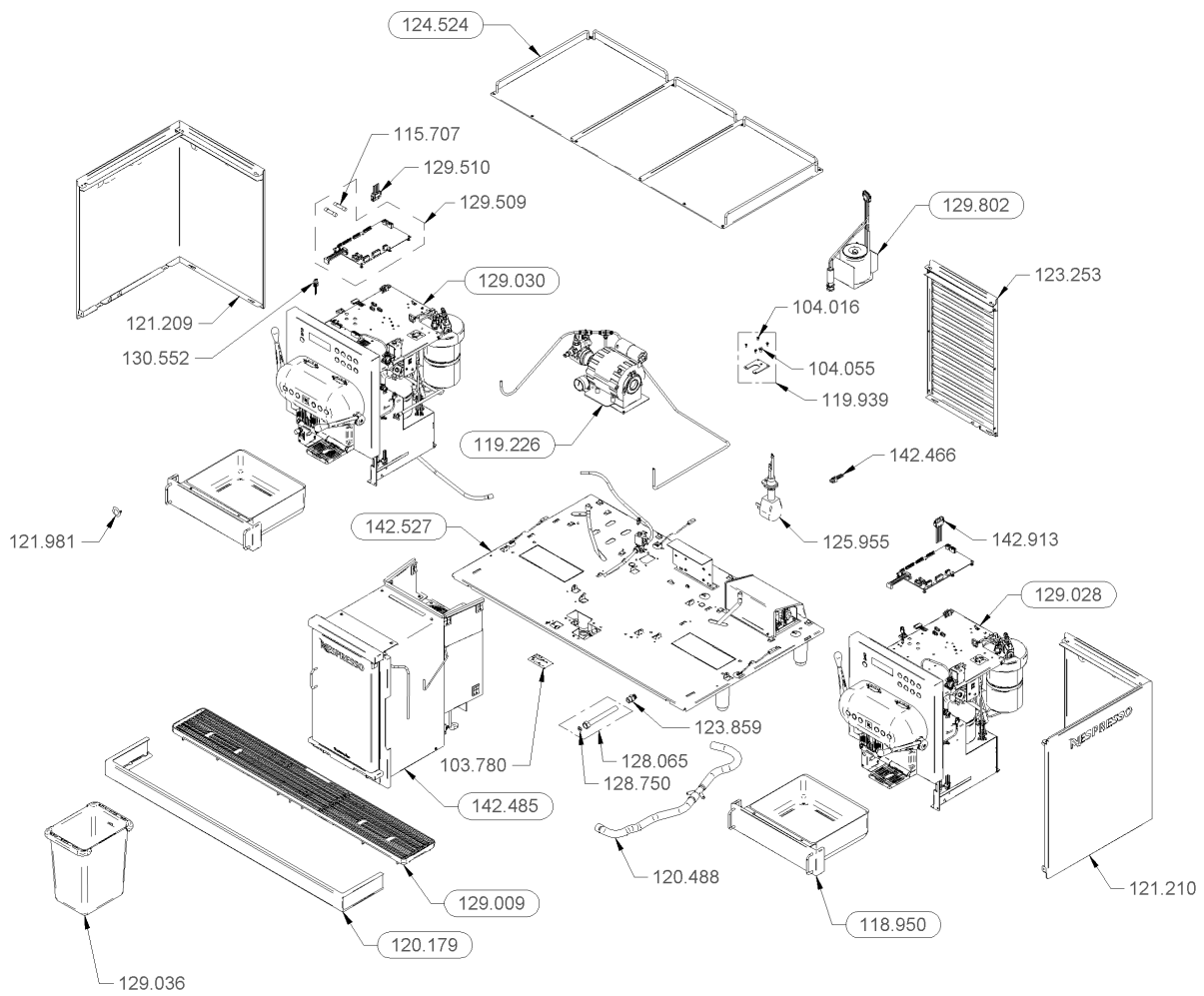
1 Coffee mach. Aguila AG440/US.....	4	1.5.2.2 Middle support, assy. AG220.....	98
1.1 Cup tray sheet 120V assy. US.....	6	1.5.2.2.1 Milk Pump assy.....	100
1.2 Frame floor board set AG440/US.....	8	1.5.2.2.1.1 Milk Pump set.....	102
1.2.1 Solenoid valve 2/2 assy. ....	10	1.5.2.2.1.1.1 Milk Pump inox with motor assy.....	104
1.2.2 Water supply assy.....	12	1.5.2.2.1.2 Cleaning block with pressreg. assy....	106
1.3 Water pump, assy. ....	14	1.5.2.2.1.3 Connection RB to WP with T-con. assy.	108
1.4 Machine unit left AG440.....	16	1.5.2.2.2 Milk Tea/Boiler, 230V assy.....	110
1.4.1 Control Board A4CB assy. AG440.....	18	1.5.2.2.2.1 Solenoid valve 2/2, $\varnothing$ 1.1, small NFC..	112
1.4.2 Machine unit AG440.....	20	1.5.2.2.3 Diaphragm valve Hyd.Mod BW2v2/BW3	114
1.4.2.1 Base of machinemodul AG220 assy. ....	22	1.5.2.3 Support valve assy.....	116
1.4.2.1.1 B2B Horeca left assy.....	24	1.5.2.3.1 Diaphragm valve Hyd.Mod BW2v2/BW3	118
1.4.2.1.2 B2B BU Horeca right assy. ....	26	1.5.2.3.2 Solenoid valve 3/2, $\varnothing$ 1.1, small NFC.....	120
1.4.2.1.3 Coffee Boiler left assy. ....	28	1.5.2.4 Top support assy. AG440 .....	122
1.4.2.1.3.1 Solenoid valve 3/2, $\varnothing$ 1.1, small NFC..	30	1.5.2.4.1 Diaphragm valve Hyd.Mod BW2v2/BW3	124
1.4.2.1.4 Coffee Boiler, assy. ....	32	1.5.2.5 Front assy. AG220 .....	126
1.4.2.1.4.1 Solenoid valve 3/2, $\varnothing$ 1.1, small NFC..	34	1.5.2.5.1 Keys with display, set.....	128
1.4.2.1.5 Flowmeter $\varnothing$ 4-1/4, $\varnothing$ 1.15, set.....	36	1.5.2.5.2 Doublehead, assy. ....	130
1.4.2.1.6 Diaphragm valve 2/2, $\varnothing$ 2.0, small, assy.	38	1.6 Grounds drawer assy. ....	132
1.4.2.2 Middle support, assy. AG220 .....	40	1.7 Drip tray assy. ....	134
1.4.2.2.1 Milk Pump assy.....	42	1.8 Frame front set drip tray.....	136
1.4.2.2.1.1 Milk Pump set.....	44	1.9 Refrigerator set 115V AG440.....	138
1.4.2.2.1.1.1 Milk Pump inox with motor assy.....	46	1.9.1 RF-Box assy., 2 milk, 2 level, NTC .....	140
1.4.2.2.1.2 Cleaning block with pressreg. assy....	48	1.9.1.1 Cleaning System v3 Milkway assy. Aguila	142
1.4.2.2.1.3 Connection RB to WP with T-con. assy.	50	1.10 Transformer 208V-->115V 200VA set.....	144
1.4.2.2.2 Milk Tea/Boiler, 230V assy.....	52		
1.4.2.2.2.1 Solenoid valve 2/2, $\varnothing$ 1.1, small NFC..	54		
1.4.2.2.3 Diaphragm valve Hyd.Mod BW2v2/BW3	56		
1.4.2.3 Support valve assy.....	58		
1.4.2.3.1 Diaphragm valve Hyd.Mod BW2v2/BW3	60		
1.4.2.3.2 Solenoid valve 3/2, $\varnothing$ 1.1, small NFC.....	62		
1.4.2.4 Top support assy. AG440 .....	64		
1.4.2.4.1 Diaphragm valve Hyd.Mod BW2v2/BW3	66		
1.4.2.5 Front assy. AG220 .....	68		
1.4.2.5.1 Keys with display, set.....	70		
1.4.2.5.2 Doublehead, assy. ....	72		
1.5 Machine unit right AG440.....	74		
1.5.1 Solenoid valve 3/2, $\varnothing$ 1.4, small set .....	76		
1.5.2 Machine unit AG440.....	78		
1.5.2.1 Base of machinemodul AG220 assy. ....	80		
1.5.2.1.1 B2B Horeca left assy.....	82		
1.5.2.1.2 B2B BU Horeca right assy. ....	84		
1.5.2.1.3 Coffee Boiler left assy. ....	86		
1.5.2.1.3.1 Solenoid valve 3/2, $\varnothing$ 1.1, small NFC..	88		
1.5.2.1.4 Coffee Boiler, assy. ....	90		
1.5.2.1.4.1 Solenoid valve 3/2, $\varnothing$ 1.1, small NFC..	92		
1.5.2.1.5 Flowmeter $\varnothing$ 4-1/4, $\varnothing$ 1.15, set.....	94		
1.5.2.1.6 Diaphragm valve 2/2, $\varnothing$ 2.0, small, assy.	96		



**1 Coffee mach. Aguila AG440/US**

Article no.	Description	Quantity
103.780	Label "...comply w. plumbing code"	1.0
104.016	Oval head Phillips combi screw M4x8	4.0
104.055	Oval head screw M5x10 Phillips	1.0
115.707	Fuse 10X40/8A	2.0
118.950	Grounds drawer assy.	2.0
119.226	Water pump, assy.	1.0
119.939	Support electricpower 3xAWG8 set	1.0
120.179	Frame front set drip tray	1.0
120.488	Drain pipe set	1.0
121.209	Outer sheet left assy.	1.0
121.210	Outer sheet right assy.	1.0
121.981	Stop-cap HEYCO 22-25.5	1.0
123.253	Rear wall refrigerator assy. UL	1.0
123.859	Adapter G3/8 BSPP - 9/16 UNEF	1.0
124.524	Cup tray sheet 120V assy. US	1.0
125.955	Power cord with NEMA 6-50P	1.0
128.065	Reinf. water hose, coatad 3/8"-3/8"x2m	2.0
128.750	Seal for stainless steel braided pipe	2.0
129.009	Drip tray assy.	1.0
129.028	Machine unit right AG440	1.0
129.030	Machine unit left AG440	1.0
129.036	Cleaning container	1.0
129.509	Power board A4PU assy. AG440	2.0
129.510	Wiring harness module 208V left	1.0
129.802	Transformer 208V-->115V 200VA set	1.0
130.552	Wiring harness signals chassis PS3	1.0
142.466	Wiring harness 200V/208 supply	1.0
142.485	Refrigerator set 115V AG440	1.0
142.527	Frame floor board set AG440/US	1.0
142.913	Wiring harness module 208V right	1.0

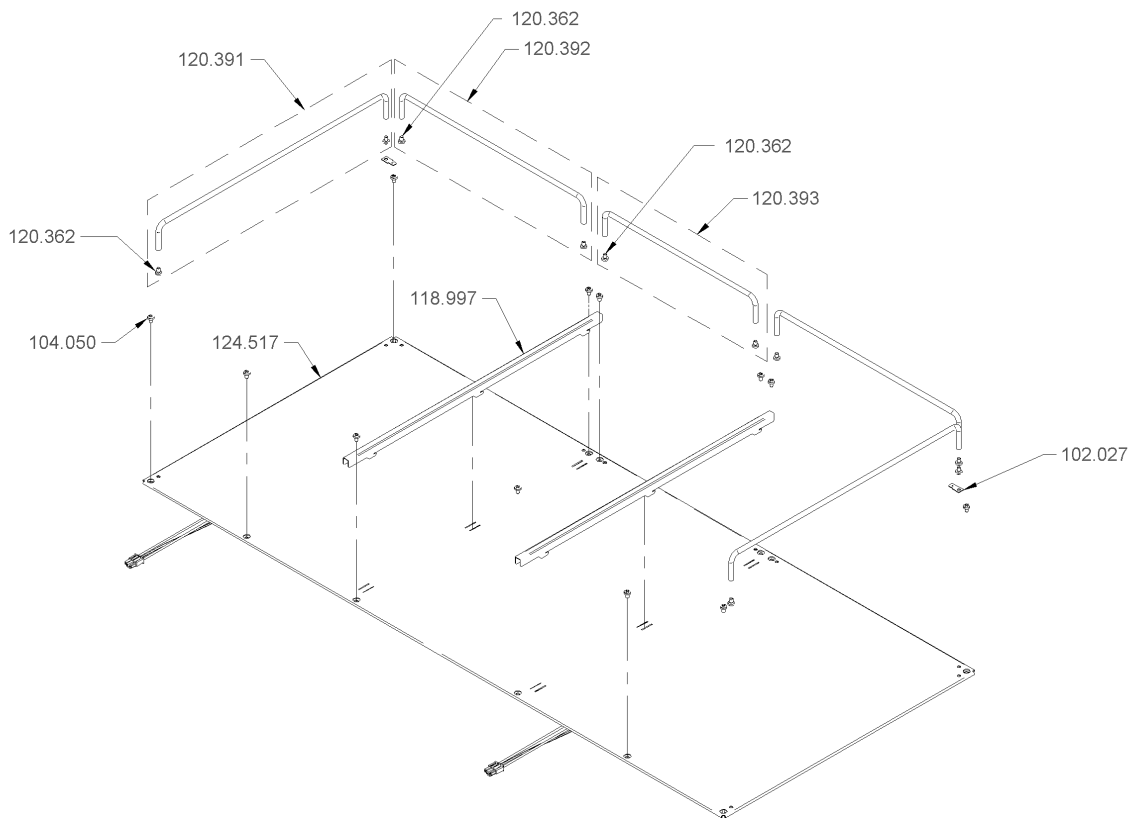
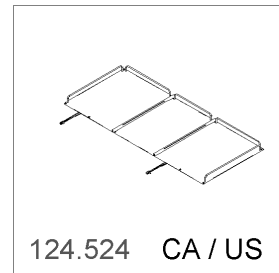
1 Coffee mach. Aguila AG440/US



**1.1 Cup tray sheet 120V assy. US**

Article no.	Description	Quantity
102.027	Faston 6.3x0.8mm (ø4.3)	2.0
104.050	Oval head screw Phillips H M4x6	12.0
118.997	Partition profile	2.0
120.362	Oval head screw M4x6 Tuflok	2.0
120.362	Oval head screw M4x6 Tuflok	2.0
120.362	Oval head screw M4x6 Tuflok	2.0
120.391	Cups holding clamp long set	2.0
120.392	Cups holding clamp short set	2.0
120.393	Cups holding clamp RF set	1.0
124.517	Cup tray with heating 120V Aguila UL	1.0

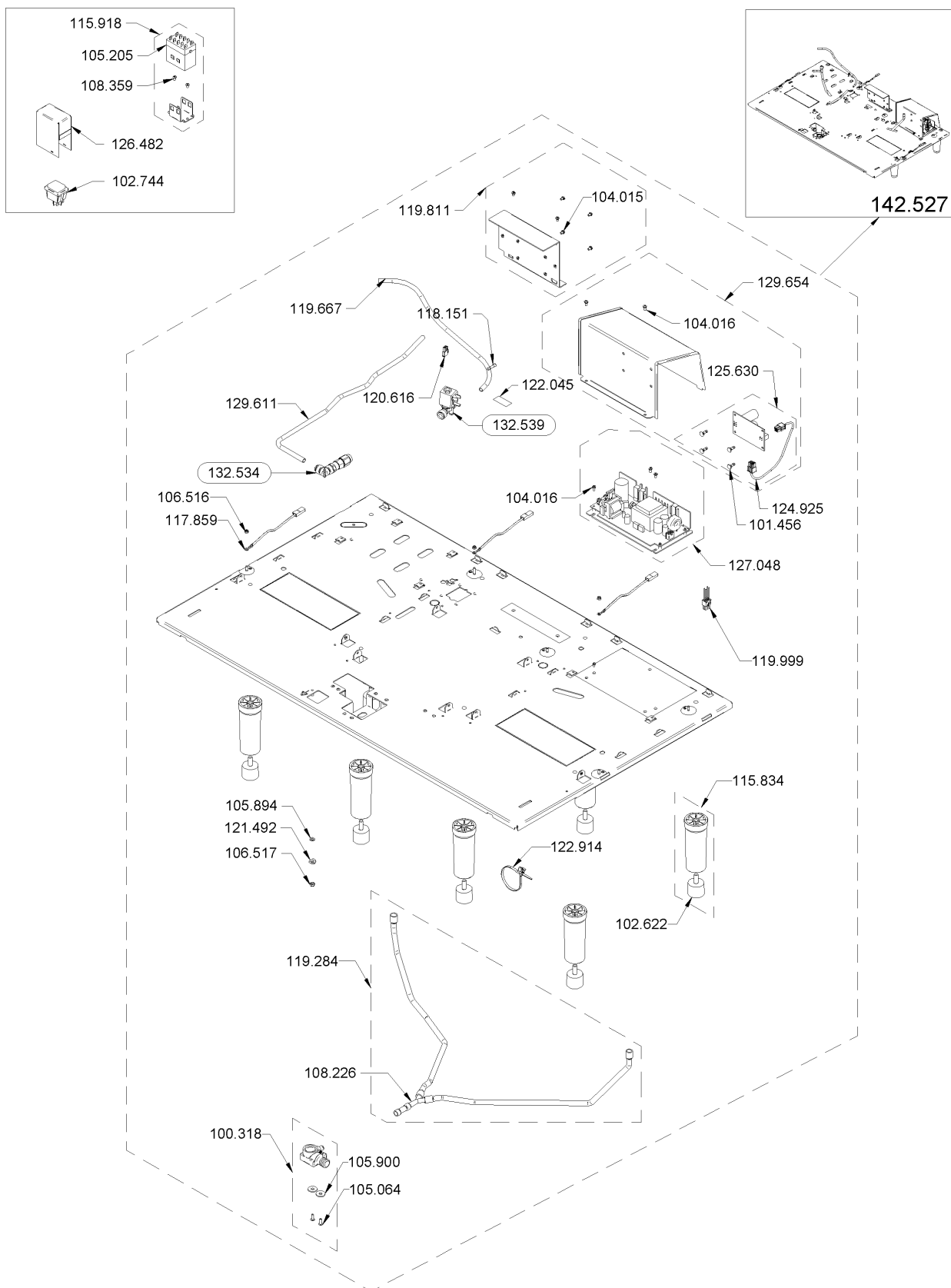
1.1 Cup tray sheet 120V assy. US



**1.2 Frame floor board set AG440/US**

Article no.	Description	Quantity
100.318	Drain connection, assembly	1.0
101.456	Deck support piece ø5.5x8mm	4.0
102.622	Rundbuffer ø31x25/M8x20	1.0
102.744	Main power switch	1.0
104.015	Phillips combi screw M04x06	6.0
104.016	Oval head Phillips combi screw M4x8	3.0
104.016	Oval head Phillips combi screw M4x8	2.0
105.064	Oval head PT screw w. washer Phi KA40x12	2.0
105.205	Relay 4+1 25A	1.0
105.894	Washer M5	1.0
105.900	Flat washer M6	2.0
106.516	Lock nut M4	3.0
106.517	Lock nut M5	1.0
108.226	Y-branch connection ø8	1.0
108.359	Socket flat head screw M4x6	2.0
115.834	Frame leg NSF assy.	8.0
115.918	Relais 4+1 25A with assembly kit	1.0
117.859	Grounding cable 180mm	3.0
118.151	Fuse T4A H250V 5x20mm	1.0
119.284	Drain piping assy.	1.0
119.667	FEP pipe ø8/6 x 360mm	1.0
119.811	Attachment sheet terminal box	1.0
119.999	Cable 24V supply Aguila	1.0
120.616	Wiring harness water inlet valve	1.0
121.492	Retaining washer M5	1.0
122.045	Sticker power supply terminal G-L2-L1_208V	1.0
122.914	Cable tie with clip 165mm	1.0
124.925	Wiring harness power supply UL	1.0
125.630	UL-Voltage stabilization board assy.	1.0
126.482	Switch cover	1.0
127.048	Switching power supply set UL	1.0
129.611	FEP pipe ø8/6 x 510mm	1.0
129.654	Cover switching power supply set	1.0
132.534	Water supply assy.	1.0
132.539	Solenoid valve 2/2 assy.	1.0

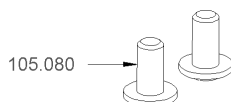
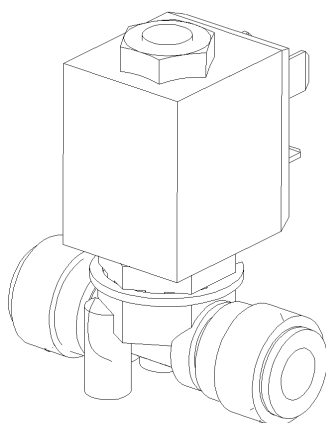
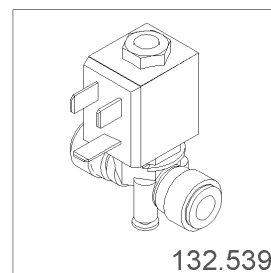
1.2 Frame floor board set AG440/US



**1.2.1 Solenoid valve 2/2 assy.**

Article no.	Description	Quantity
105.080	PT-screw KA 40x8 oval head Phillips	2.0

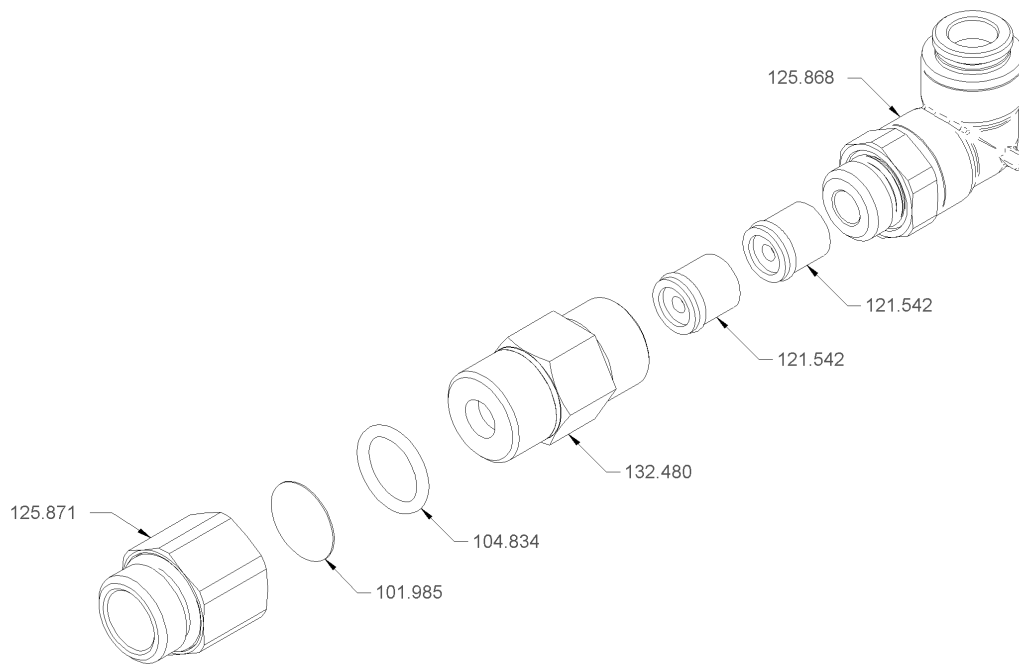
1.2.1 Solenoid valve 2/2 assy.



**1.2.2 Water supply assy.**

Article no.	Description	Quantity
101.985	Filter water 3/8"	1.0
104.834	O-Ring 12.00x2.00 NBR 70.5/P5F	1.0
121.542	RV-Patrone DW10	2.0
125.868	Elbow connector 8-1/4	1.0
125.871	Reduction nipple 3/8-3/8	1.0
132.480	Reducer fitting 3/8x1/4 NFC	1.0

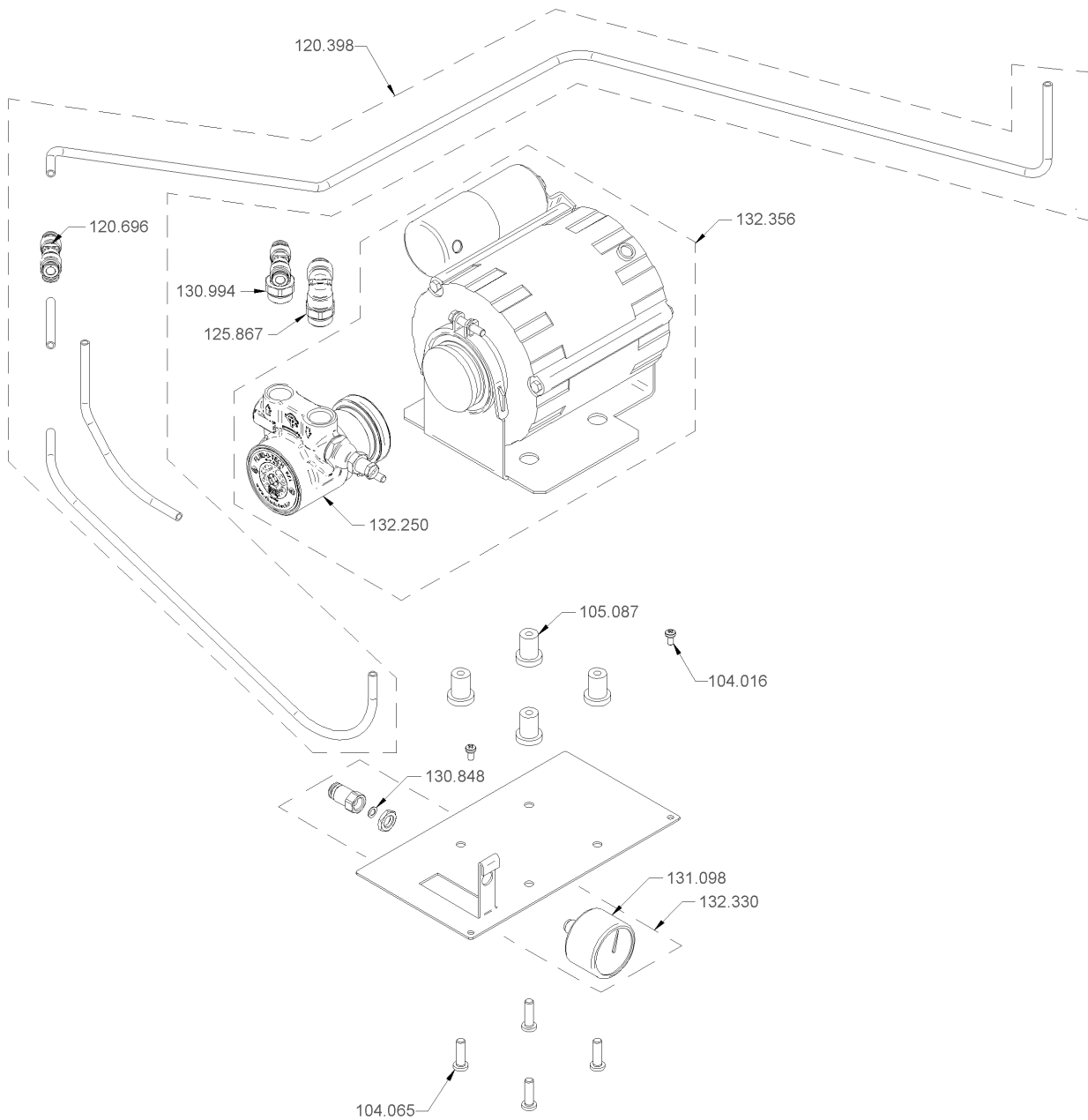
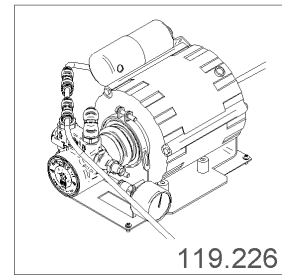
1.2.2 Water supply assy.



**1.3 Water pump, assy.**

Article no.	Description	Quantity
104.016	Oval head Phillips combi screw M4x8	2.0
104.065	Oval head screw Phillips M6x18	4.0
105.087	Buffer M6	4.0
120.398	Water pump tube set	1.0
120.696	T-connector 6-6	1.0
125.867	Elbow connector 8-3/8	1.0
130.848	Gasket $\varnothing 8/5 \times 0.5$	1.0
130.994	T-fitting 6-3/8	1.0
131.098	Manometer INOX 0-16 bar with adjustment	1.0
132.250	Water pump	1.0
132.330	Pressure gauge inox 16 bar assy.	1.0
132.356	Water pump with motor	1.0

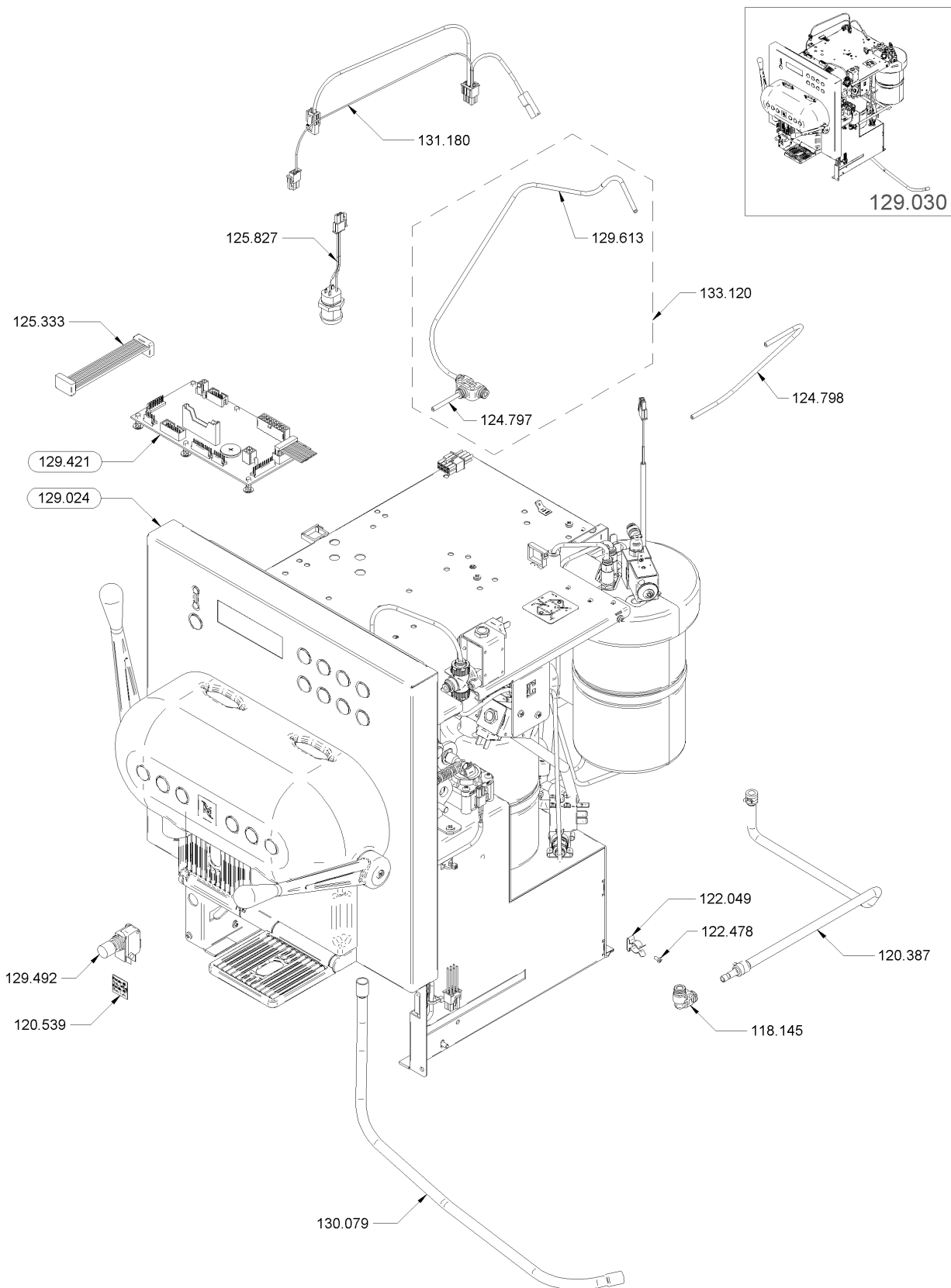
1.3 Water pump, assy.



**1.4 Machine unit left AG440**

Article no.	Description	Quantity
118.145	Angle plug connection 6-6 PVDF	1.0
120.387	Milk pressure tube Machine unit I. set	1.0
120.539	Sticker "Power Button"	1.0
122.049	Tool clip 80-10-2.5	1.0
122.478	Phillips screw M2.5x06	1.0
124.797	FEP pipe $\varnothing 4/2$ x 50mm	1.0
124.798	FEP pipe $\varnothing 4/2$ x 250mm	1.0
125.333	Flat cable 14 pin	1.0
125.827	Key switch with connector	1.0
129.024	Machine unit AG440	1.0
129.421	Control Board A4CB assy. AG440	1.0
129.492	Push button M10x1	1.0
129.613	FEP pipe $\varnothing 4/2$ x 480mm	1.0
130.079	Silicone hose $\varnothing 10/7$ x 450mm	1.0
131.180	Cable 24V supply left module	1.0
133.120	AG440 Tea tube set	1.0

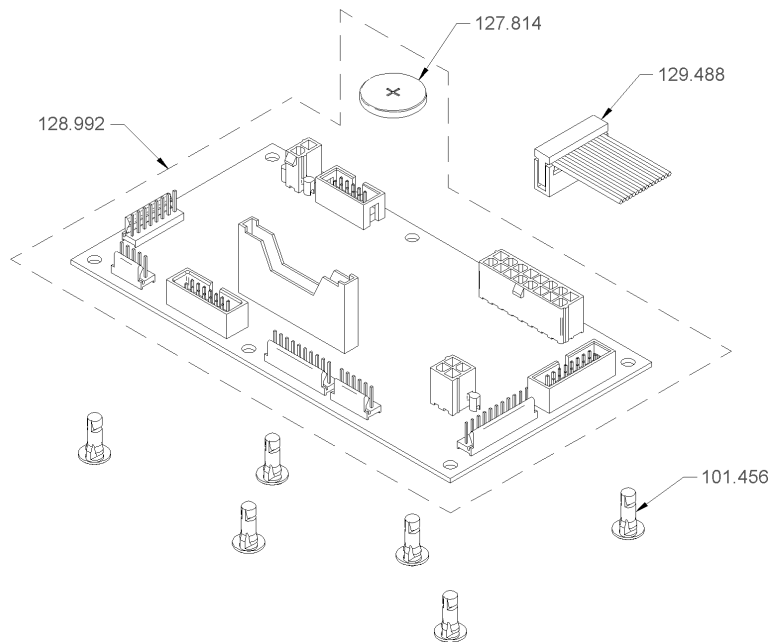
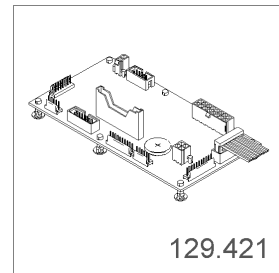
1.4 Machine unit left AG440



**1.4.1 Control Board A4CB assy. AG440**

Article no.	Description	Quantity
101.456	Deck support piece ø5.5x8mm	6.0
127.814	Button cell battery CR2032	1.0
128.992	A4CB Control Board	1.0
129.488	Ribbon cable round 16p	1.0

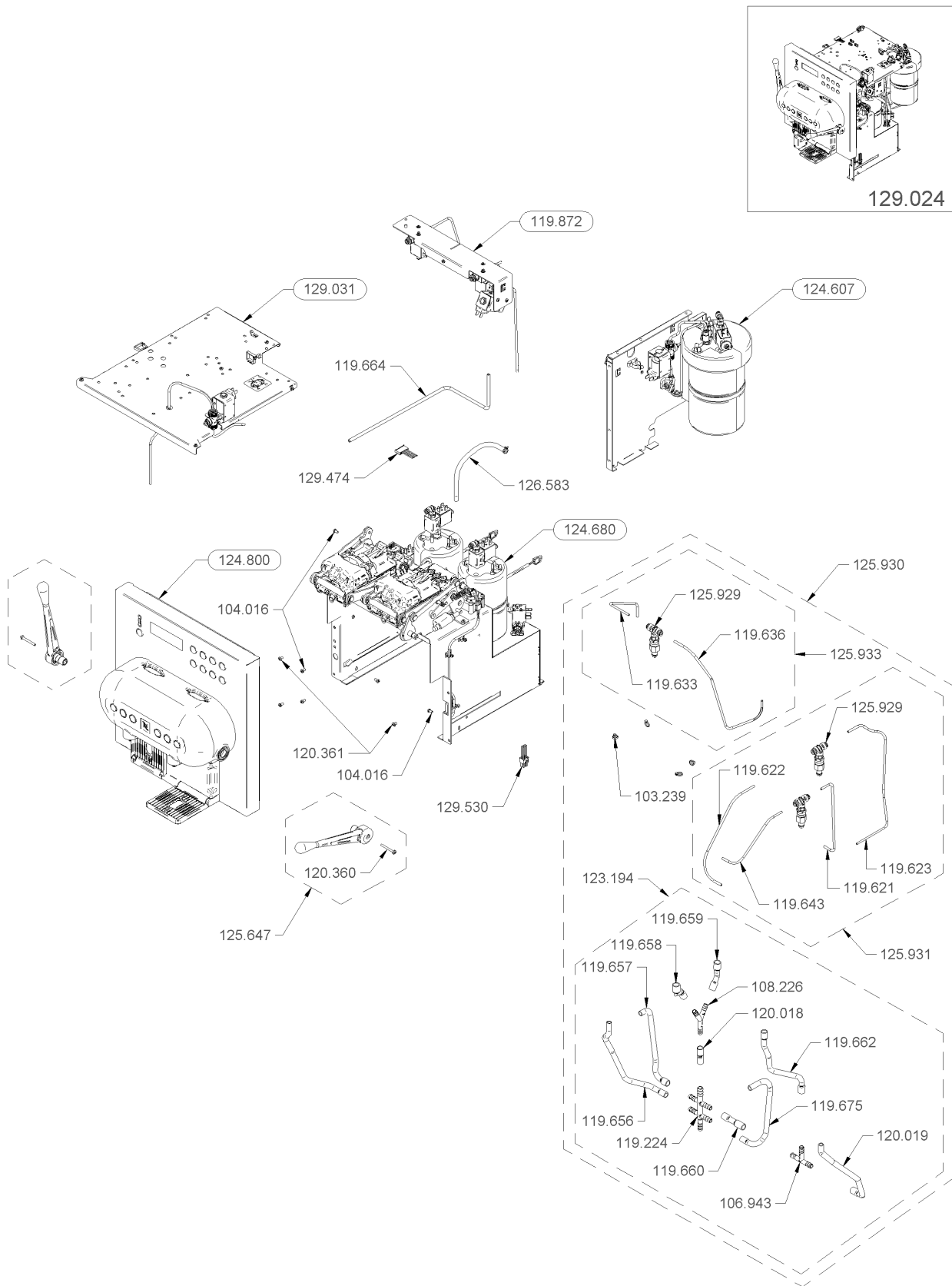
1.4.1 Control Board A4CB assy. AG440



## 1.4.2 Machine unit AG440

Article no.	Description	Quantity
103.239	Binding with fixing (large white)	4.0
104.016	Oval head Phillips combi screw M4x8	8.0
106.943	T-connector PP, 10	1.0
108.226	Y-branch connection ø8	1.0
119.224	Distributor 6x	1.0
119.621	FEP pipe ø4/2 x 250mm	1.0
119.622	FEP pipe ø4/2 x 260mm	1.0
119.623	FEP pipe ø4/2 x 380mm	1.0
119.633	FEP pipe ø4/2 x 160mm	1.0
119.636	FEP pipe ø4/2 x 410mm	1.0
119.643	FEP hose ø4/2 x 180mm	1.0
119.656	Silicone hose ø10/7 x 280mm	1.0
119.657	Silicone hose ø10/7 x 220mm	1.0
119.658	Silicone hose ø10/7 x 50mm	1.0
119.659	Silicone hose ø10/7 x 70mm	1.0
119.660	Silicone hose ø10/7 x 60mm	1.0
119.662	Silicone hose ø10/7 x 165mm	1.0
119.664	FEP pipe ø6/4 x 370mm	1.0
119.675	Silicone hose ø10/7 x 240mm	1.0
119.872	Support valve assy.	1.0
120.018	Silicone hose ø13/7 x 70mm	1.0
120.019	Silicone hose ø10/7 x 220mm	1.0
120.360	Oval head screw M4x35 Tuflok	1.0
120.361	Oval head screw M4x6 Tuflok	4.0
123.194	Piping set preassembly kpl.	1.0
124.607	Middle support, assy. AG220	1.0
124.680	Base of machinemodul AG220 assy.	1.0
124.800	Front assy. AG220	1.0
125.647	Lever Zamak set	2.0
125.929	Pressure control valve 16.5 bar set	2.0
125.929	Pressure control valve 16.5 bar set	1.0
125.930	Piping set distributor sixfold assy.	1.0
125.931	Piping set check valve	1.0
125.933	Piping set check valve	1.0
126.583	Air intake milk foam kit AG220	1.0
129.031	Top support assy. AG440	1.0
129.474	Wiring harness signals AG440	1.0
129.530	Wiring harness module power	1.0

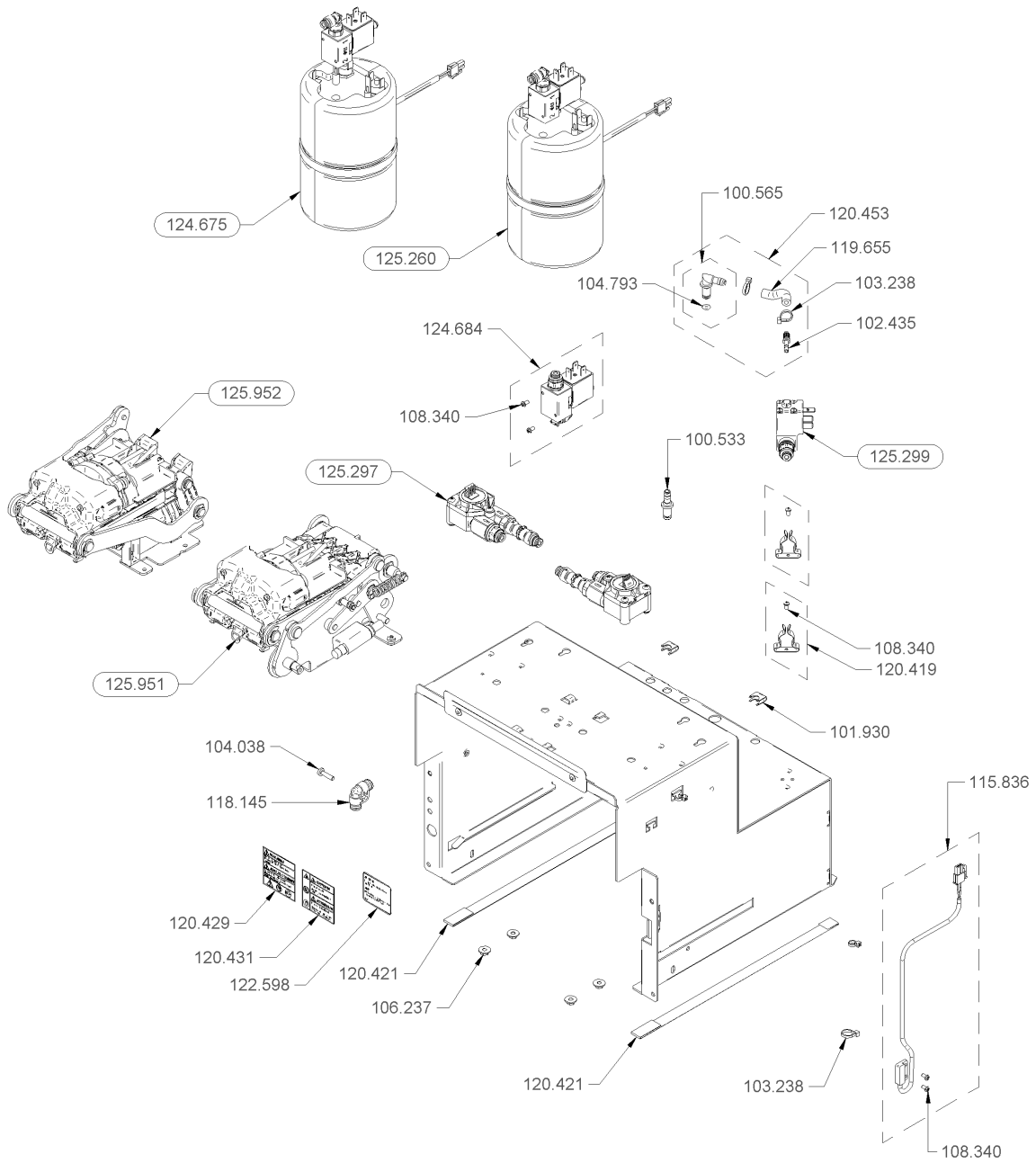
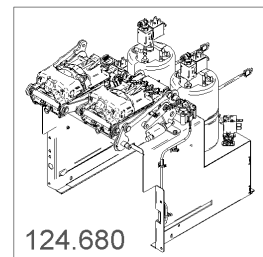
1.4.2 Machine unit AG440



**1.4.2.1 Base of machinemodul AG220 assy.**

Article no.	Description	Quantity
100.533	Connection nipple straight	1.0
100.565	Angle connection, assembly	1.0
101.930	Spring clip	1.0
102.435	Straight connection ø4	1.0
103.238	Cable tie 85/22	3.0
103.238	Cable tie 85/22	2.0
104.038	Oval head screw Phillips M4x16	1.0
104.793	O-Ring 5.00x1.50 MVQ	1.0
106.237	Hexagonal nut M4 kombi	4.0
108.340	Socket head screw M3x6 Phillips	2.0
108.340	Socket head screw M3x6 Phillips	1.0
108.340	Socket head screw M3x6 Phillips	2.0
115.836	Reed switch with screws	1.0
118.145	Angle plug connection 6-6 PVDF	1.0
119.655	Silicone hose ø8.5/4 x 50mm	1.0
120.419	Tool clip ø16-19 set	2.0
120.421	Slide tape 13x 325mm	2.0
120.429	Label "Electric shock hazard"	1.0
120.431	Label "Burn hazard"	1.0
120.453	Piping set drain valve	1.0
122.598	Sticker pump Aguila	1.0
124.675	Coffee Boiler left assy.	1.0
124.684	Solenoid valve 2/2, ø1.1, small set	1.0
125.260	Coffee Boiler, assy.	1.0
125.297	Flowmeter ø4-1/4, ø1.15, set	2.0
125.299	Diaphragm valve 2/2, ø2.0, small, assy.	1.0
125.951	B2B BU Horeca right assy.	1.0
125.952	B2B Horeca left assy.	1.0

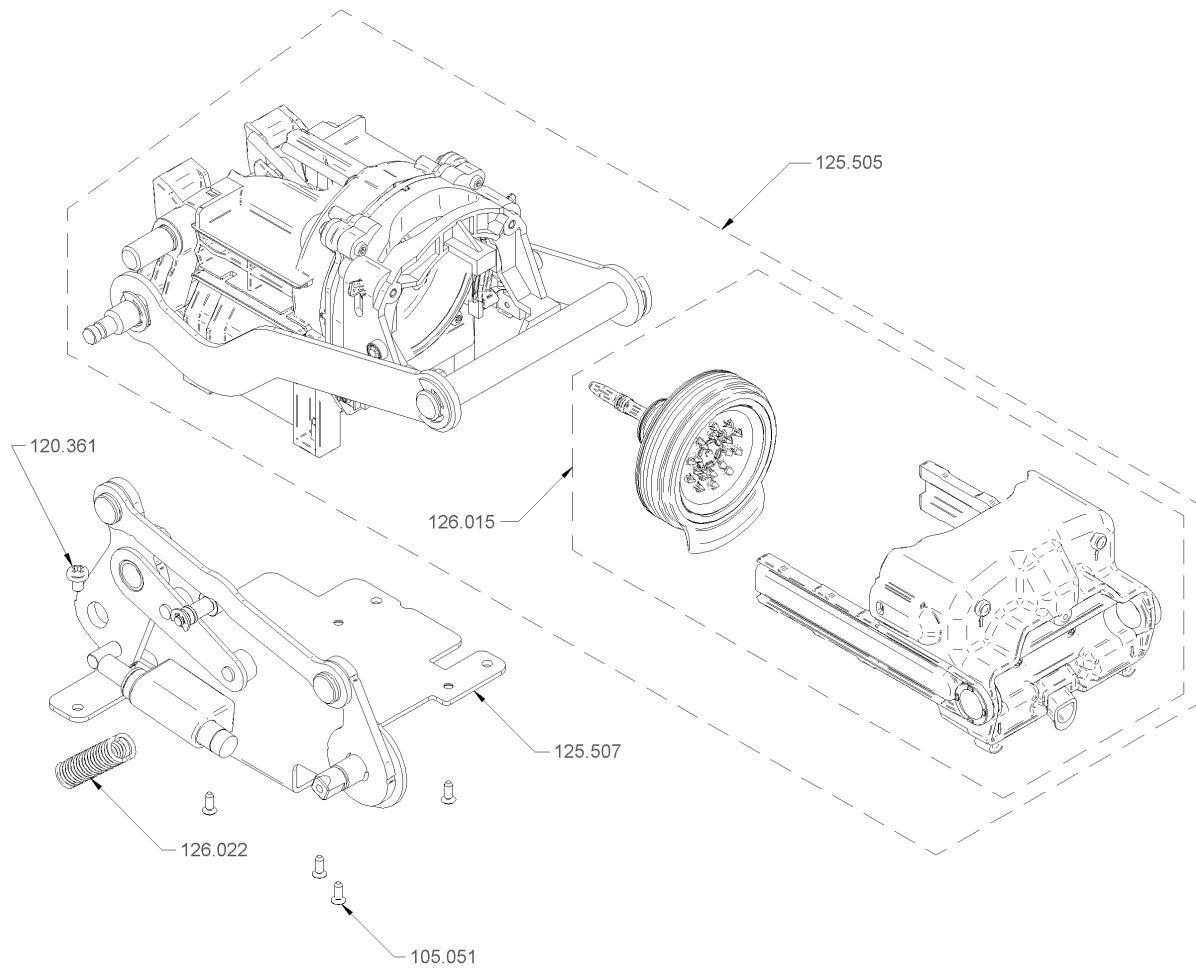
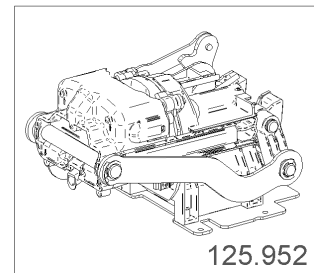
1.4.2.1 Base of machinemodul AG220 assy.



**1.4.2.1.1 B2B Horeca left assy.**

Article no.	Description	Quantity
105.051	Countersunk PT screw Phillips KA30x8	4.0
120.361	Oval head screw M4x6 Tuflok	1.0
125.505	B2B BU Horeca left	1.0
125.507	Lagerträgerblech kpl. links Horeca	1.0
126.015	BU Maintenance Kit	1.0
126.022	Spring for BU Horeca	1.0

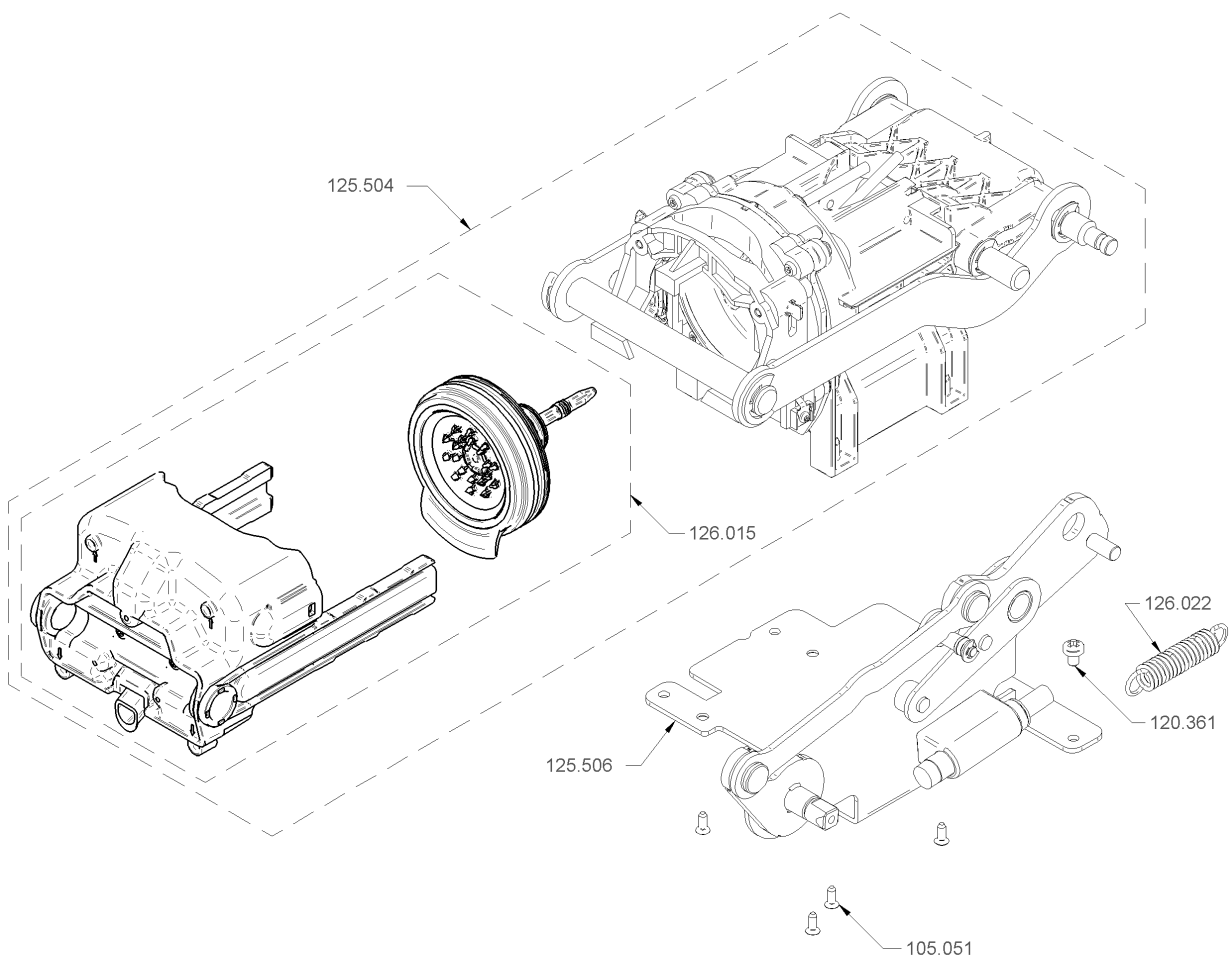
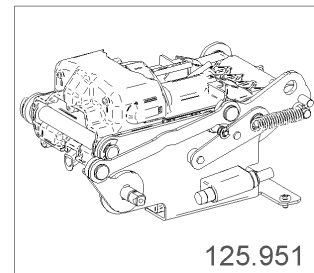
1.4.2.1.1 B2B Horeca left assy.



**1.4.2.1.2 B2B BU Horeca right assy.**

Article no.	Description	Quantity
105.051	Countersunk PT screw Phillips KA30x8	4.0
120.361	Oval head screw M4x6 Tuflok	1.0
125.504	B2B BU Horeca right	1.0
125.506	Bearing carrier sheet assy. right Horeca	1.0
126.015	BU Maintenance Kit	1.0
126.022	Spring for BU Horeca	1.0

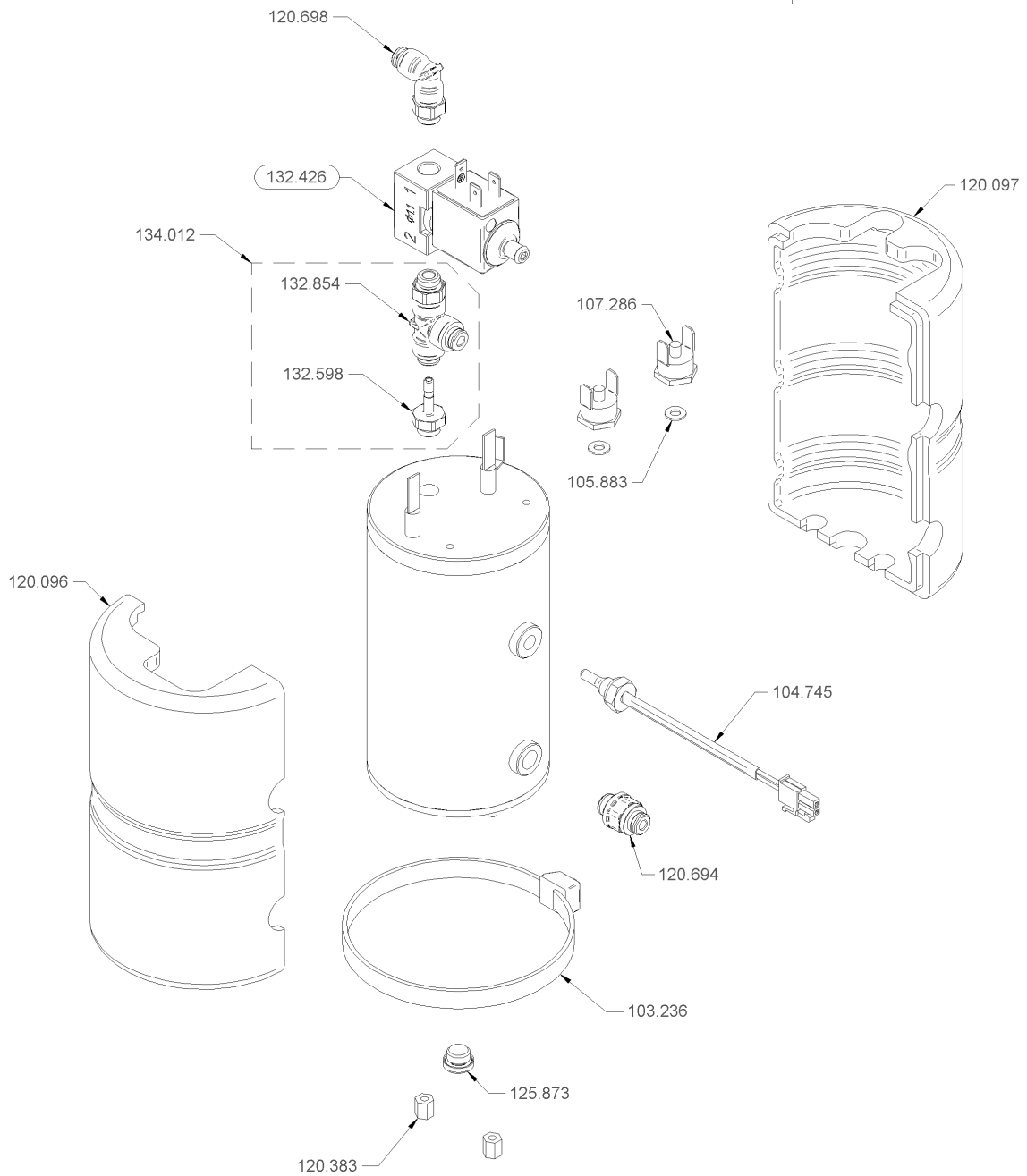
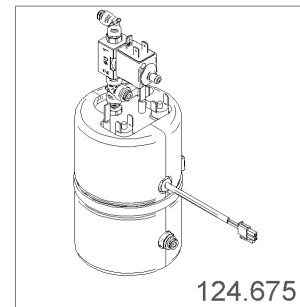
1.4.2.1.2 B2B BU Horeca right assy.



**1.4.2.1.3 Coffee Boiler left assy.**

Article no.	Description	Quantity
103.236	Cable tie 530x8.9	1.0
104.745	NTC sensor for boiler, assembly	1.0
105.883	Flat washer M4	2.0
107.286	Thermal security 125°C HM	2.0
120.096	Isolating coffee boiler left	1.0
120.097	Isolating coffee boiler right	1.0
120.383	Hexagonal spacer M4x8	2.0
120.694	Straight connector 4-1/8	1.0
120.698	Elbow connector 4-1/8	1.0
125.873	Drain plug G1/8	1.0
132.426	Solenoid valve 3/2, $\varnothing$ 1.1, small NFC	1.0
132.598	Straight screwed coupling 4-1/8	1.0
132.854	L-connector $\varnothing$ 4-1/8	1.0
134.012	L-connector set	1.0

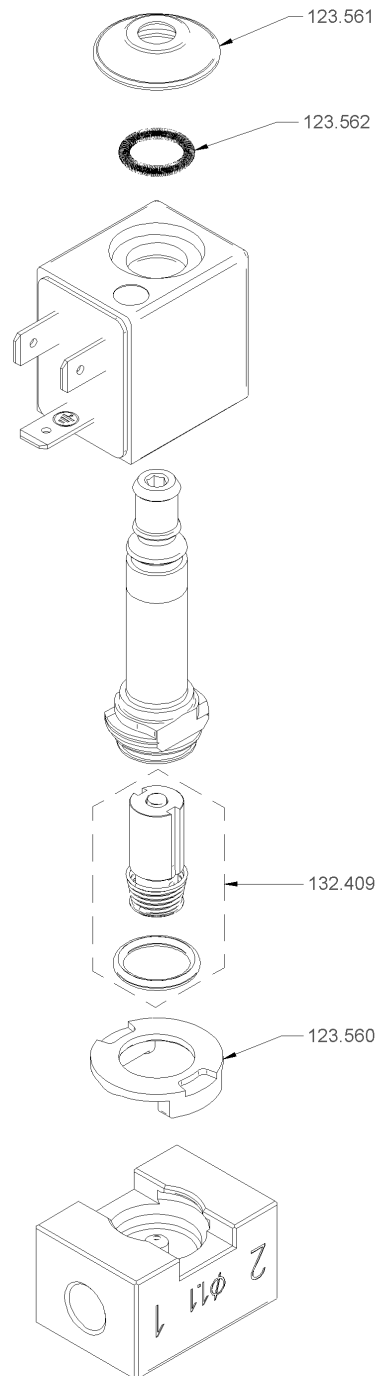
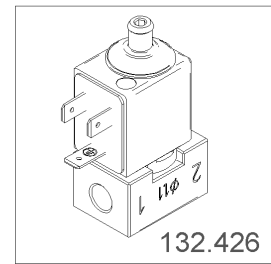
1.4.2.1.3 Coffee Boiler left assy.



**1.4.2.1.3.1 Solenoid valve 3/2, ø1.1, small NFC**

Article no.	Description	Quantity
123.560	Supporting ring	1.0
123.561	Protection cap	1.0
123.562	Spring to magnet valve	1.0
132.409	Plunger kit 3/2 NFC	1.0

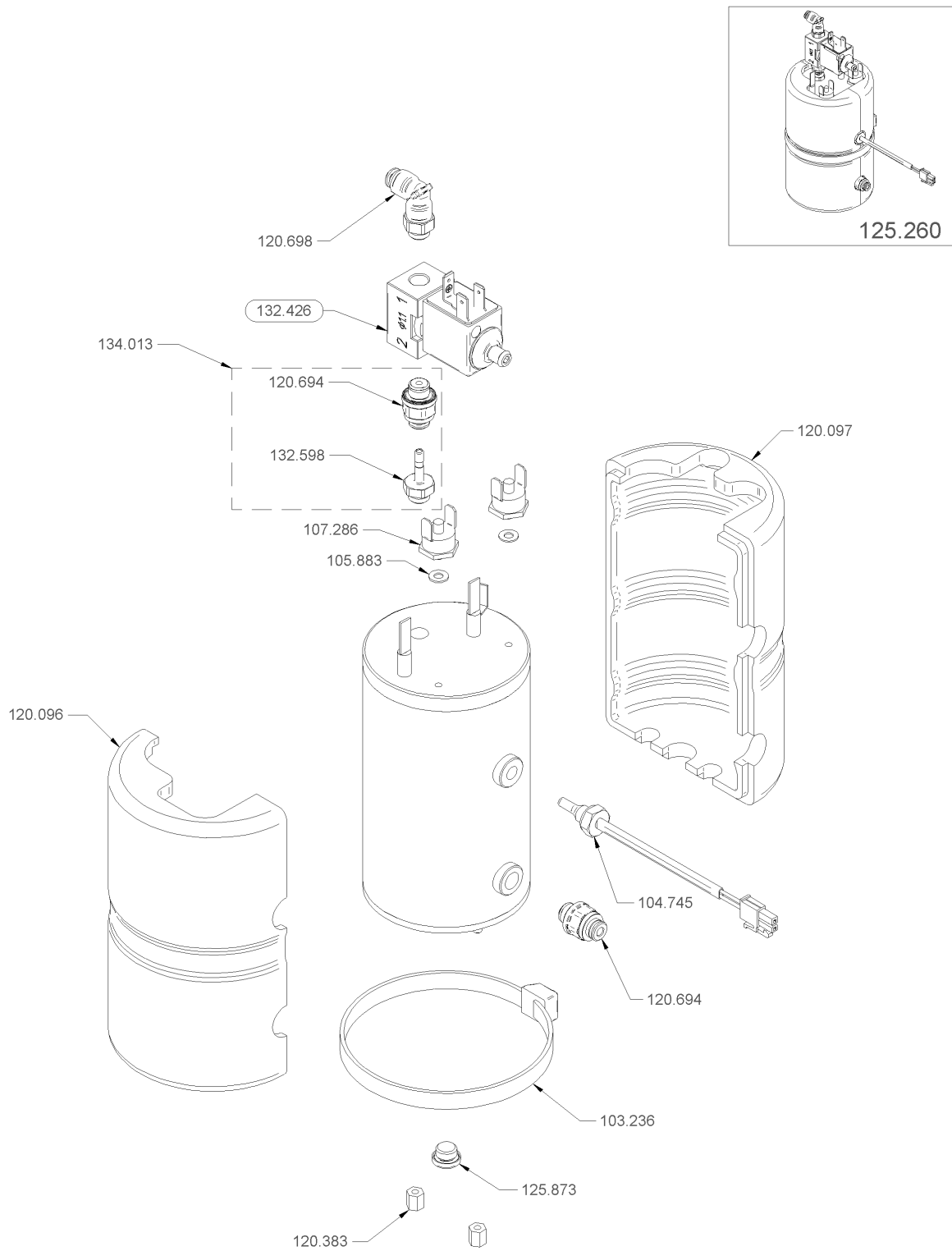
1.4.2.1.3.1 Solenoid valve 3/2,  $\phi 1.1$ , small NFC



**1.4.2.1.4 Coffee Boiler, assy.**

Article no.	Description	Quantity
103.236	Cable tie 530x8.9	1.0
104.745	NTC sensor for boiler, assembly	1.0
105.883	Flat washer M4	2.0
107.286	Thermal security 125°C HM	2.0
120.096	Isolating coffee boiler left	1.0
120.097	Isolating coffee boiler right	1.0
120.383	Hexagonal spacer M4x8	2.0
120.694	Straight connector 4-1/8	1.0
120.698	Elbow connector 4-1/8	1.0
125.873	Drain plug G1/8	1.0
132.426	Solenoid valve 3/2, ø1.1, small NFC	1.0
132.598	Straight screwed coupling 4-1/8	1.0
134.013	Straight connector set	1.0

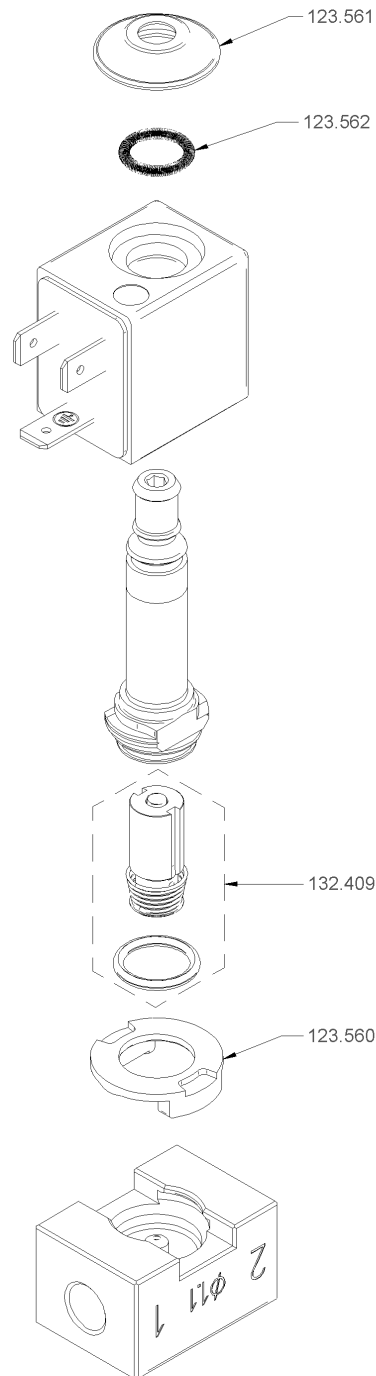
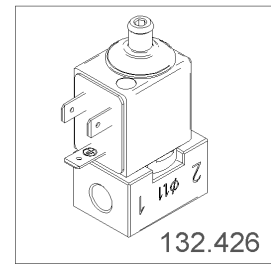
1.4.2.1.4 Coffee Boiler, assy.



**1.4.2.1.4.1 Solenoid valve 3/2, ø1.1, small NFC**

Article no.	Description	Quantity
123.560	Supporting ring	1.0
123.561	Protection cap	1.0
123.562	Spring to magnet valve	1.0
132.409	Plunger kit 3/2 NFC	1.0

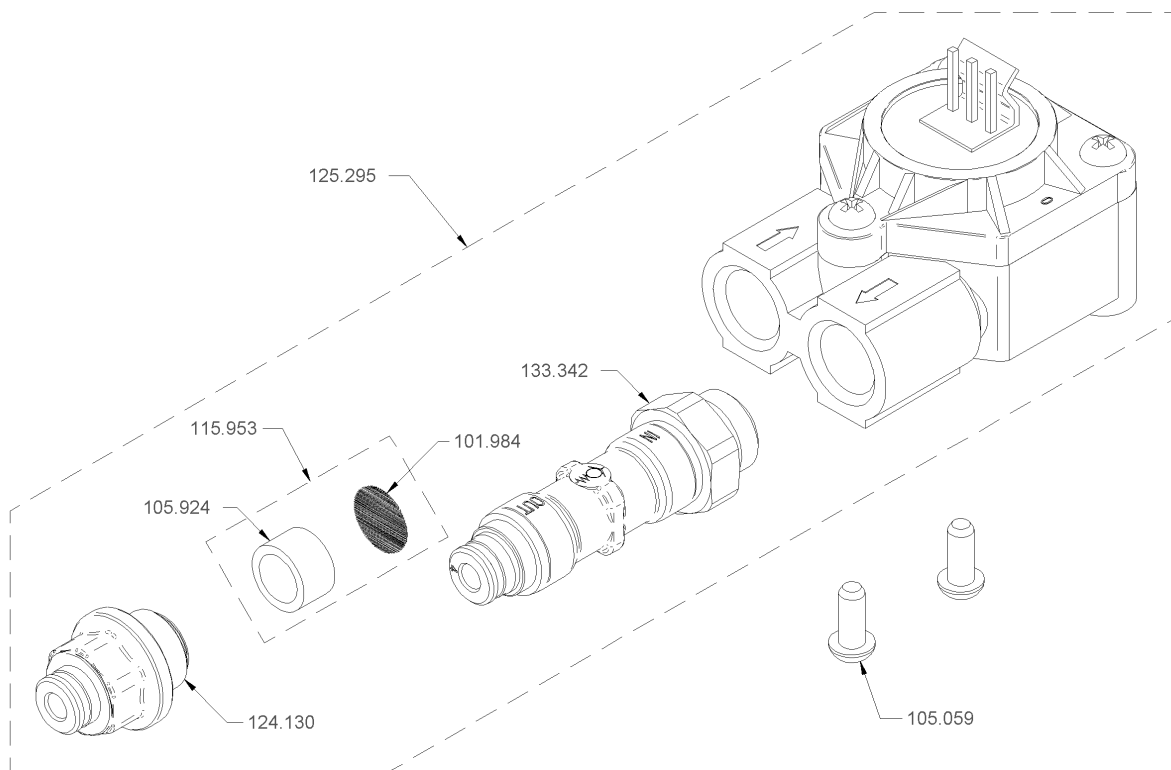
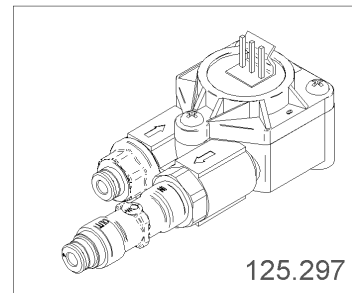
1.4.2.1.4.1 Solenoid valve 3/2,  $\phi 1.1$ , small NFC



**1.4.2.1.5 Flowmeter  $\varnothing$ 4-1/4,  $\varnothing$ 1.15, set**

Article no.	Description	Quantity
101.984	Filter for flowmeter 1/4	1.0
105.059	Oval head PT screw Phillips KA40x10	2.0
105.924	Sleeve	1.0
115.953	Water strainer flowmeter	1.0
124.130	Straight fitting 4-1/4	1.0
125.295	Flowmeter $\varnothing$ 4-1/4, $\varnothing$ 1.15, assy.	1.0
133.342	Check valve $\varnothing$ 4-1/4	1.0

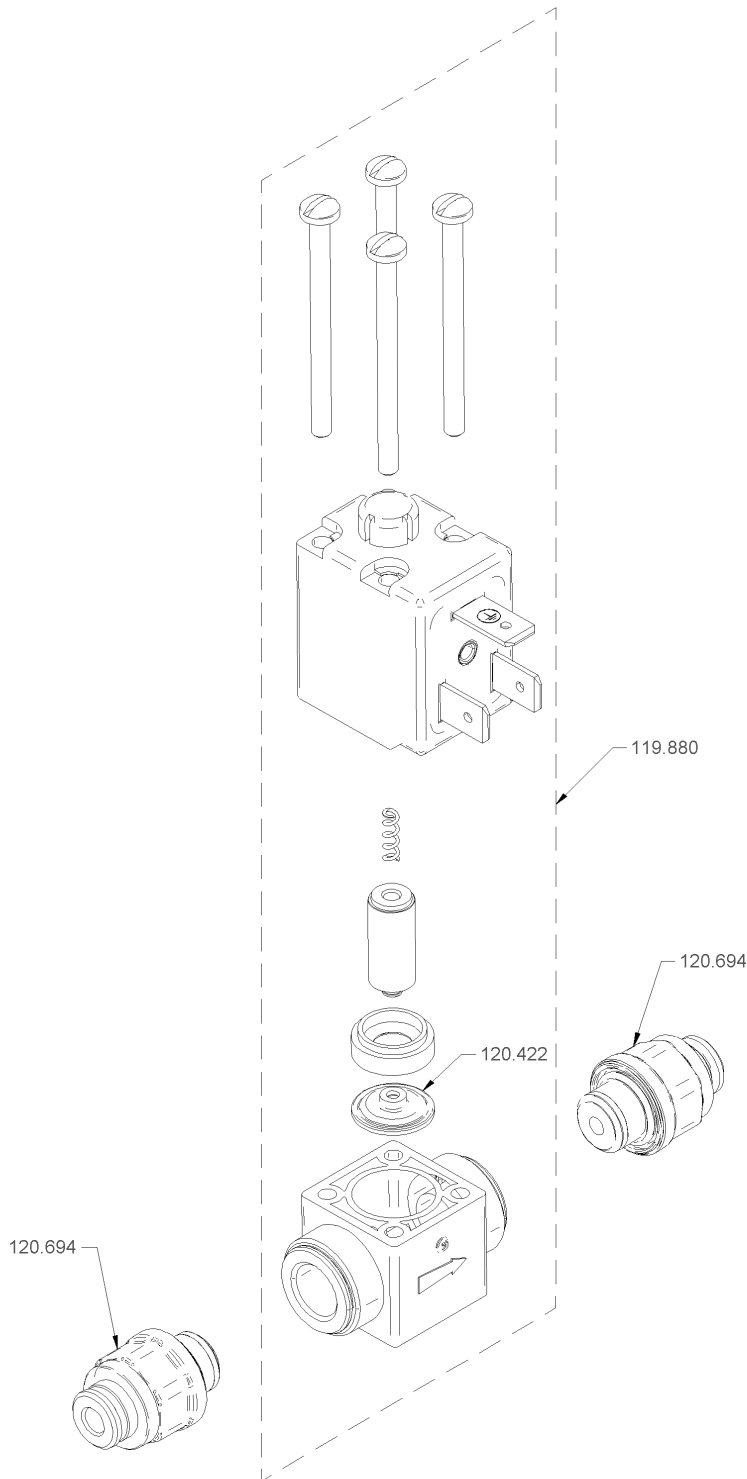
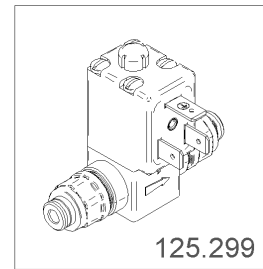
1.4.2.1.5 Flowmeter  $\varnothing 4-1/4$ ,  $\varnothing 1.15$ , set



**1.4.2.1.6 Diaphragm valve 2/2, ø2.0, small, assy.**

Article no.	Description	Quantity
119.880	Diaphragm valve 2/2, ø2.0, small	1.0
120.422	Diaphragm	1.0
120.694	Straight connector 4-1/8	2.0

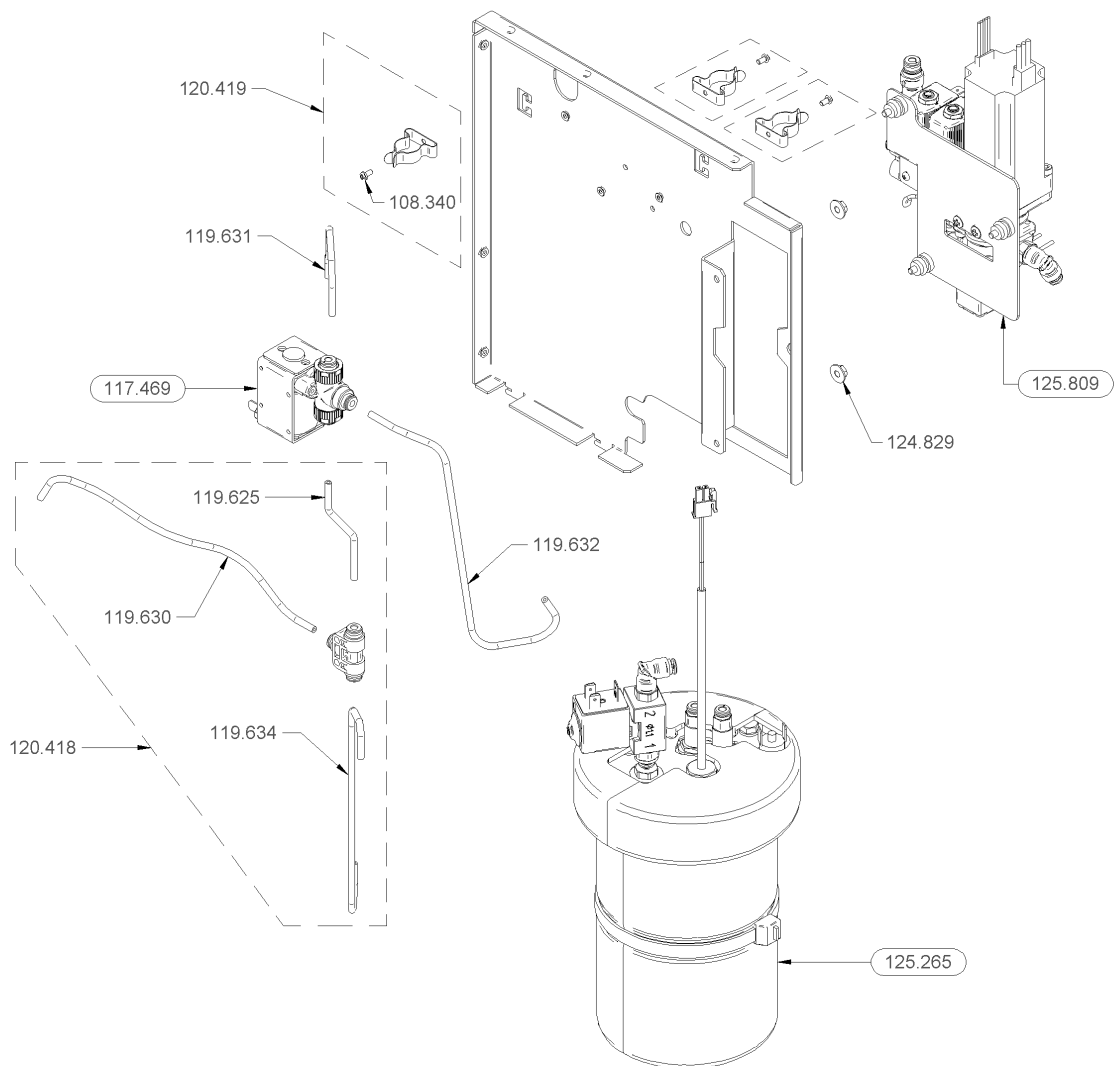
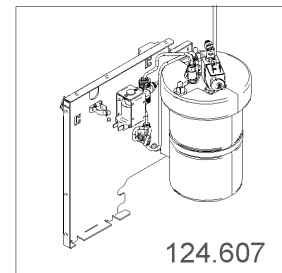
1.4.2.1.6 Diaphragm valve 2/2,  $\varnothing 2.0$ , small, assy.



**1.4.2.2 Middle support, assy. AG220**

Article no.	Description	Quantity
108.340	Socket head screw M3x6 Phillips	1.0
117.469	Diaphragm valve Hyd.Mod BW2v2/BW3	1.0
119.625	FEP pipe $\varnothing$ 4/2 x 100mm	1.0
119.630	FEP pipe $\varnothing$ 4/2 x 160mm	1.0
119.631	FEP pipe $\varnothing$ 4/2 x 140mm	1.0
119.632	Pipe FEP $\varnothing$ 4/2 x 180mm	1.0
119.634	Pipe FEP $\varnothing$ 4/2 x 300mm	1.0
120.418	Piping set milk	1.0
120.419	Tool clip $\varnothing$ 16-19 set	3.0
124.829	Hex nuts with flange and serrations M04	2.0
125.265	Milk Tea/Boiler, 230V assy.	1.0
125.809	Milk Pump assy.	1.0

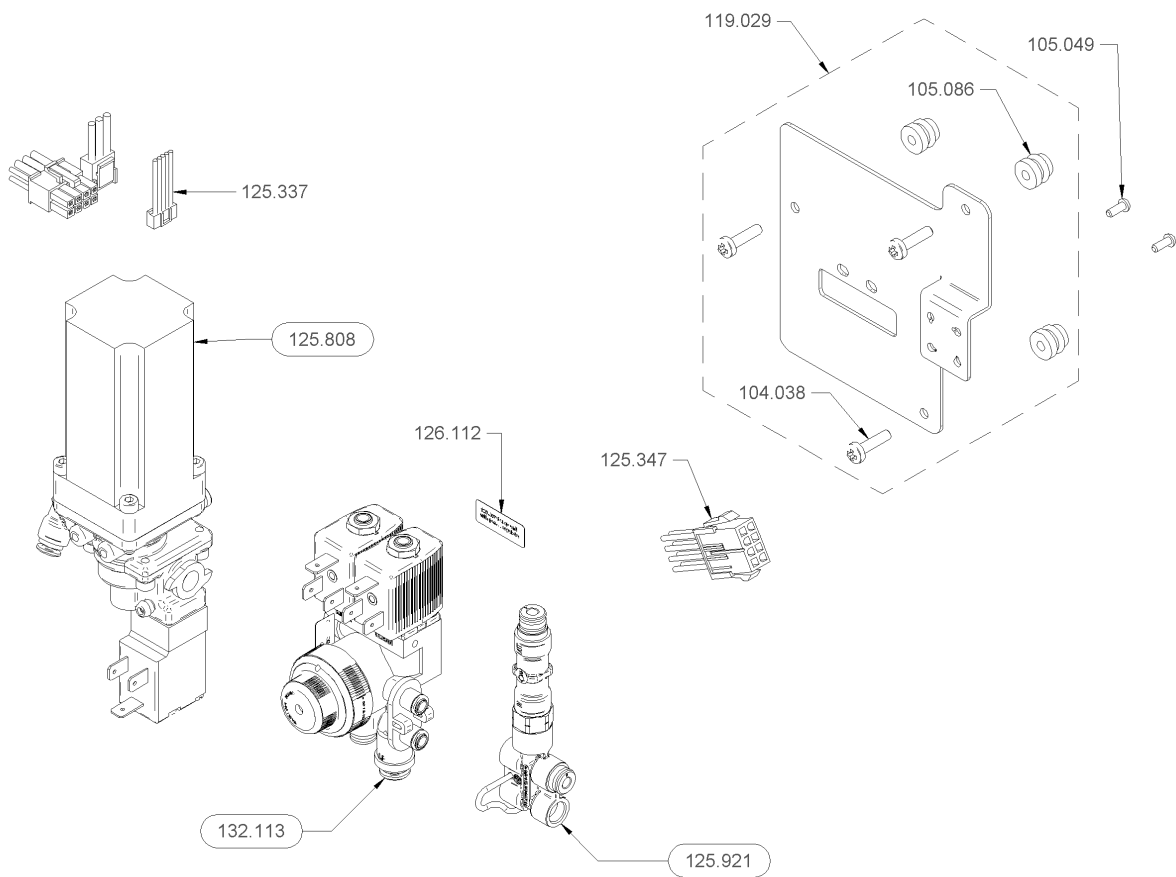
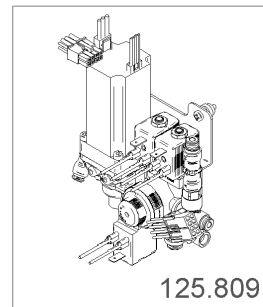
1.4.2.2 Middle support, assy. AG220



**1.4.2.2.1 Milk Pump assy.**

Article no.	Description	Quantity
104.038	Oval head screw Phillips M4x16	3.0
105.049	Oval head PT screw Phillips KA30x8	2.0
105.086	Rubber mounting bush M4	3.0
119.029	Support Pump, assy.	1.0
125.337	Wiring harness milk pump Halcon	1.0
125.347	Wiring harness milk valves Halcon	1.0
125.808	Milk Pump set	1.0
125.921	Connection RB to WP with T-con. assy.	1.0
126.112	Sticker P-unit Halcon with pressregulator	1.0
132.113	Cleaning block with pressreg. assy.	1.0

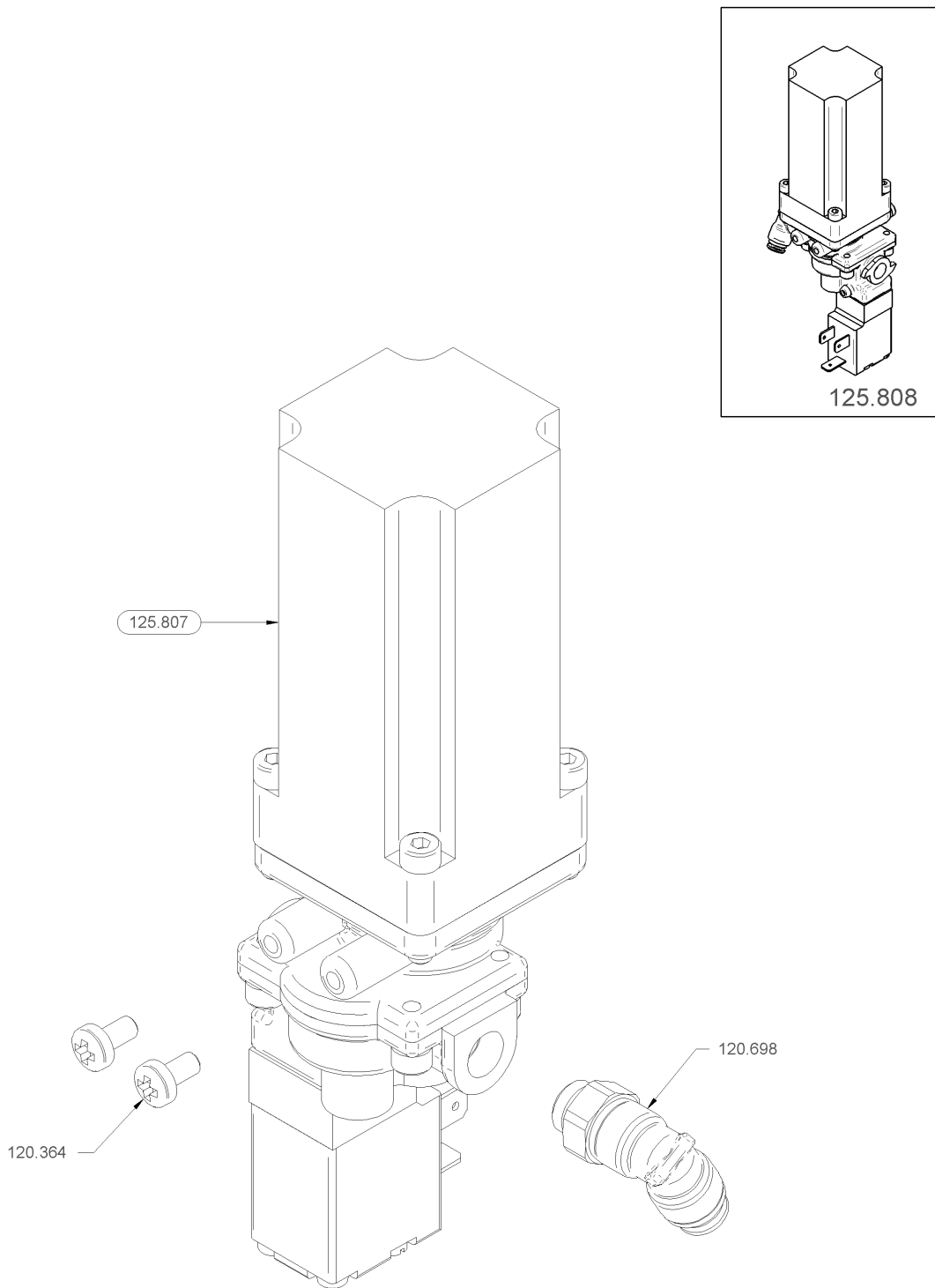
1.4.2.2.1 Milk Pump assy.



**1.4.2.2.1.1 Milk Pump set**

Article no.	Description	Quantity
120.364	Screw Phillips M4x8 Tuflok	2.0
120.698	Elbow connector 4-1/8	1.0
125.807	Milk Pump inox with motor assy.	1.0

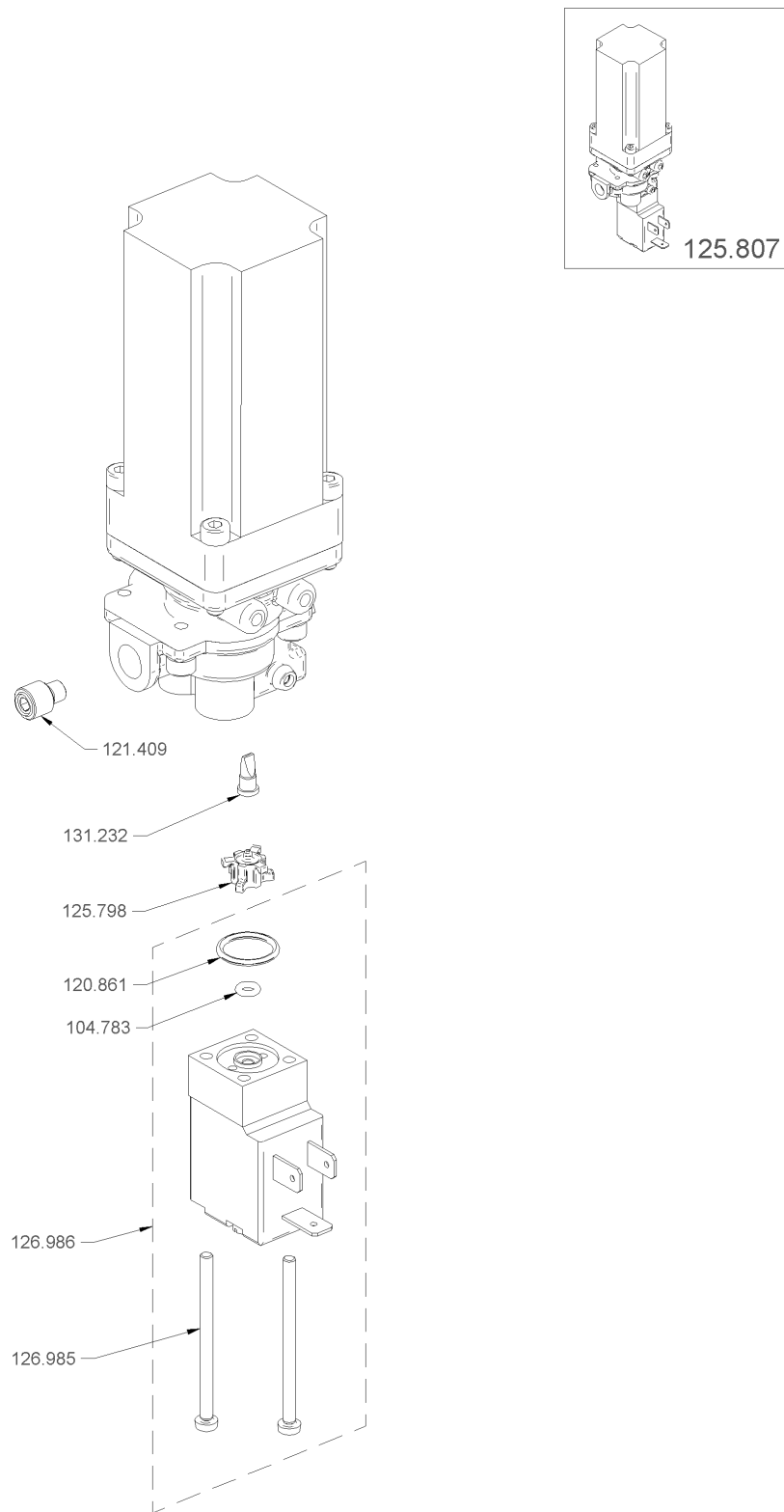
1.4.2.2.1.1 Milk Pump set



**1.4.2.2.1.1.1 Milk Pump inox with motor assy.**

Article no.	Description	Quantity
104.783	O-Ring 3.00x1.50 FKM	1.0
120.861	O-Ring 12.00x1.50 FKM	1.0
121.409	Nozzle to milk pump PEEK	1.0
125.798	Support duckbill	1.0
126.985	Socket head cap screw M3x45	2.0
126.986	2/2-proportional valve 0.8mm set	1.0
131.232	Check valve duckbill light blue	1.0

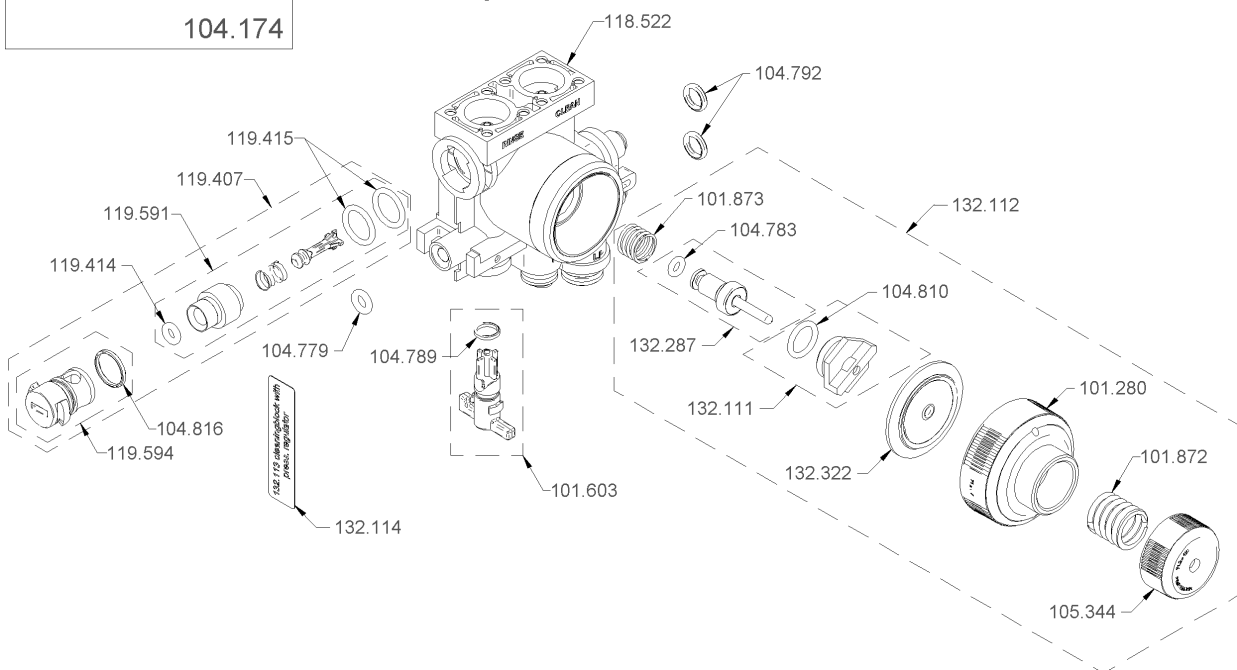
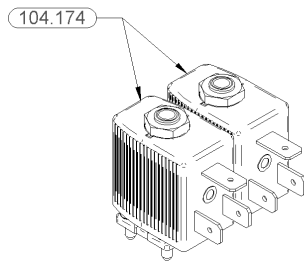
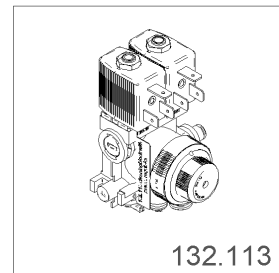
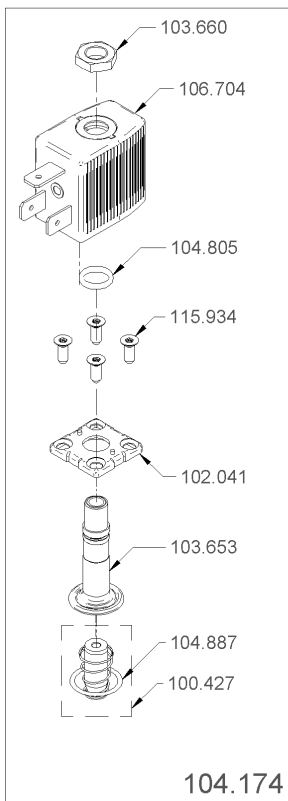
1.4.2.2.1.1.1 Milk Pump inox with motor assy.



**1.4.2.2.1.2 Cleaning block with pressreg. assy.**

Article no.	Description	Quantity
100.427	Set 2/2 valve plunger with gasket	1.0
101.280	Cover pressure regulator	1.0
101.603	Milk bloc flowmeter assy.	1.0
101.872	Upper spring pressure regulator	1.0
101.873	Lower spring pressure regulator	1.0
102.041	Flange for mini-valve	1.0
103.653	Plunger guide Mini-valve 2/2	1.0
103.660	Nut for mini-valve	1.0
104.174	2/2 solenoid valve, assy.	2.0
104.779	O-Ring 3.69x1.78 EPDM 75.5/KW75F	1.0
104.783	O-Ring 3.00x1.50 FKM	1.0
104.789	O-Ring 5.00x1.00 EPDM	1.0
104.792	O-Ring 5.00x1.50 FKM 75.5/VA75F	2.0
104.805	O-Ring 7.50x1.50 EPDM	1.0
104.810	O-Ring 8.00x1.50 VMQ 80.5/SIL80F	1.0
104.816	O-Ring 9.00x1.00 EPDM 75.5/KW75 F	1.0
104.887	O-Ring 13.00x1.30 EPDM	1.0
105.344	Screw plug M18x1.5	1.0
106.704	Coil for mini-valve	1.0
115.934	PT flat head screws Torx K30x08	4.0
118.522	Basis block milk module assy.	1.0
119.407	Milk check valve assy.	1.0
119.414	O-Ring 2.90x1.78 EPDM 291	1.0
119.415	O-Ring 8.00x1.50 EPDM 291	2.0
119.591	Milk check valve	1.0
119.594	Cover check valve milk, assy.	1.0
132.111	Water nozzle assy.	1.0
132.112	Pressure regulator, assy.	1.0
132.114	Sticker c-block with pressregulator	1.0
132.287	Valve pressure regulator, assy. Inox	1.0
132.322	Membrane ø28.5 pressure regulator Inox	1.0

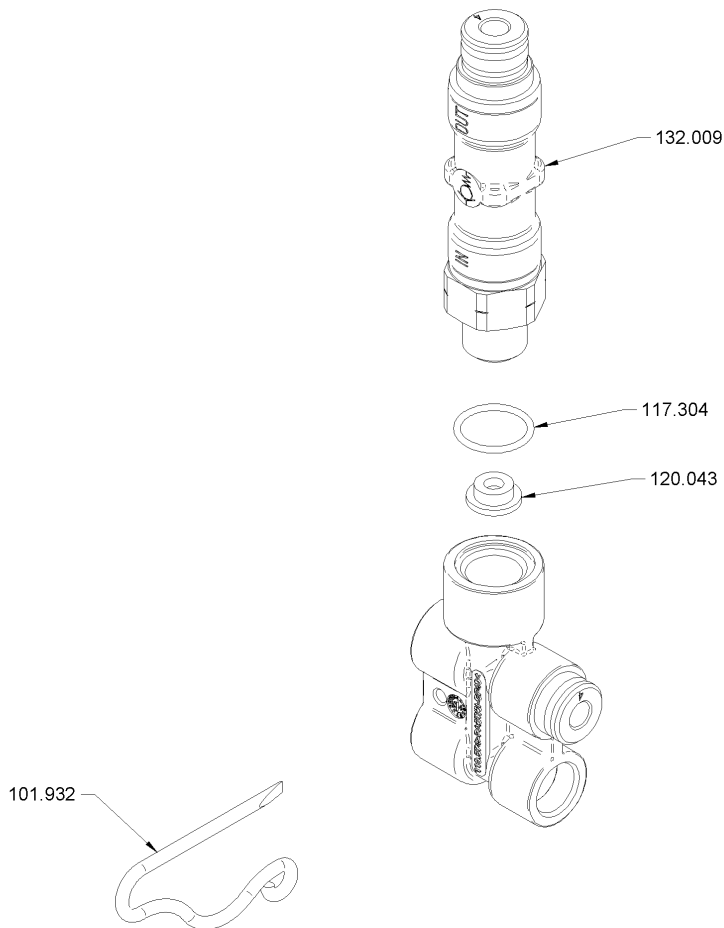
1.4.2.2.1.2 Cleaning block with pressreg. assy.



**1.4.2.2.1.3 Connection RB to WP with T-con. assy.**

Article no.	Description	Quantity
101.932	Spring clip pump	1.0
117.304	O-Ring 10.00x1.00 EPDM 291	1.0
120.043	Flow limitation nozzle $\varnothing$ 0.6	1.0
132.009	Check valve $\varnothing$ 4-1/8"	1.0

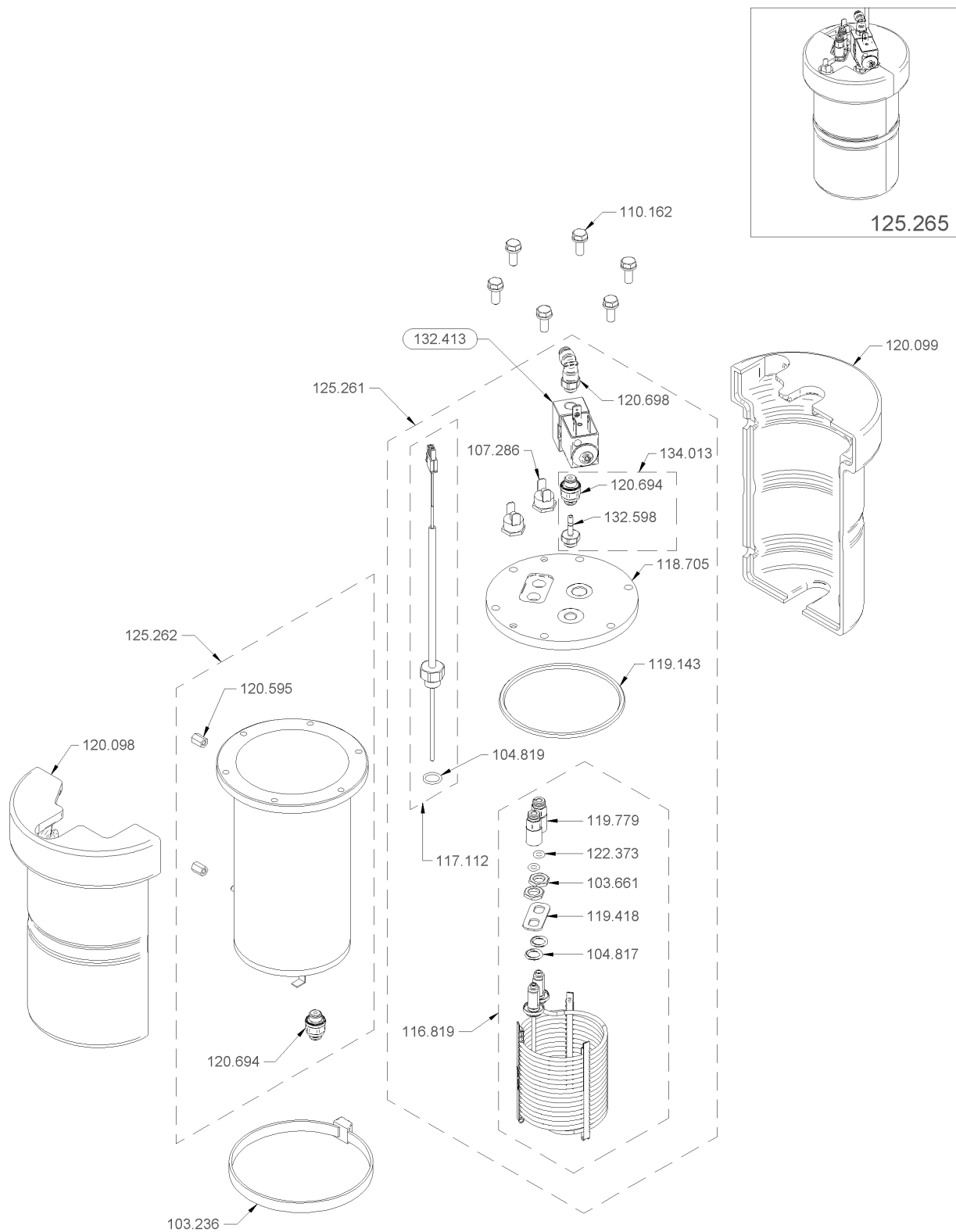
1.4.2.2.1.3 Connection RB to WP with T-con. assy.



**1.4.2.2.2 Milk Tea/Boiler, 230V assy.**

Article no.	Description	Quantity
103.236	Cable tie 530x8.9	1.0
103.661	Nut G1/8"	2.0
104.817	O-Ring 9.00x2.00 EPDM	2.0
104.819	O-Ring 10.82x1.78 VMQ	1.0
107.286	Thermal security 125°C HM	2.0
110.162	Hexagonal head screw combi M06x16	6.0
116.819	Milk heating coil BW2/BW3 assy.	1.0
117.112	NTC Sensor Boiler	1.0
118.705	Cover milk tea boiler	1.0
119.143	O-Ring 88.00x4.00 EPDM	1.0
119.418	Safety sheet	1.0
119.779	Coil connection assy.	2.0
120.098	Isolating milk tea boiler left	1.0
120.099	Isolating milk tea boiler right	1.0
120.595	Hexagonal spacer M4x10	2.0
120.694	Straight connector 4-1/8	1.0
120.694	Straight connector 4-1/8	1.0
120.694	Straight connector 4-1/8	1.0
120.698	Elbow connector 4-1/8	1.0
122.373	O-Ring 5.28x1.78 EPDM	2.0
125.261	Cover milk tea boiler, assy. Halcon	1.0
125.262	Housing to Milk/Tea Boiler 230V	1.0
132.413	Solenoid valve 2/2, ø1.1, small NFC	1.0
132.598	Straight screwed coupling 4-1/8	1.0
134.013	Straight connector set	1.0

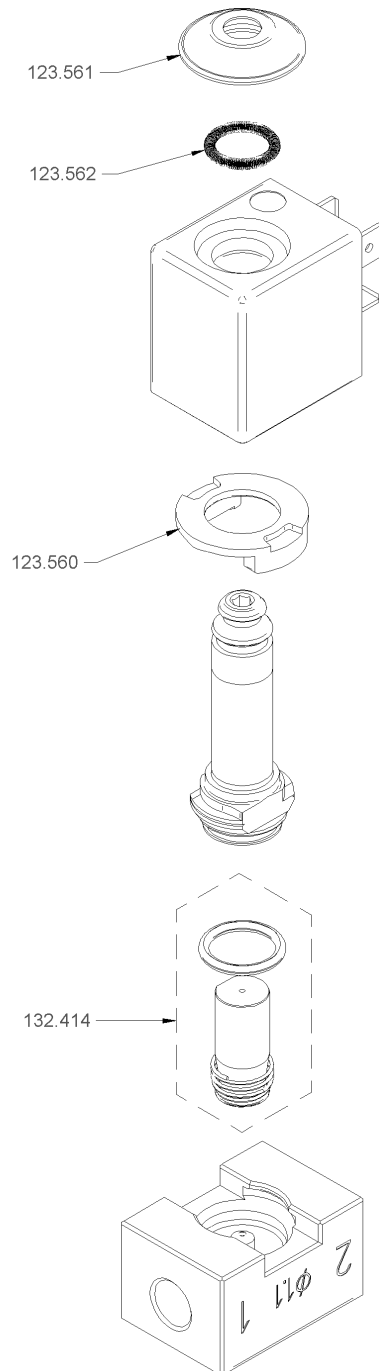
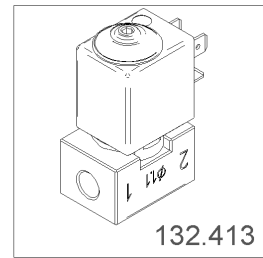
1.4.2.2.2 Milk Tea/Boiler, 230V assy.



**1.4.2.2.1 Solenoid valve 2/2, ø1.1, small NFC**

Article no.	Description	Quantity
123.560	Supporting ring	1.0
123.561	Protection cap	1.0
123.562	Spring to magnet valve	1.0
132.414	Plunger kit 2/2 NFC	1.0

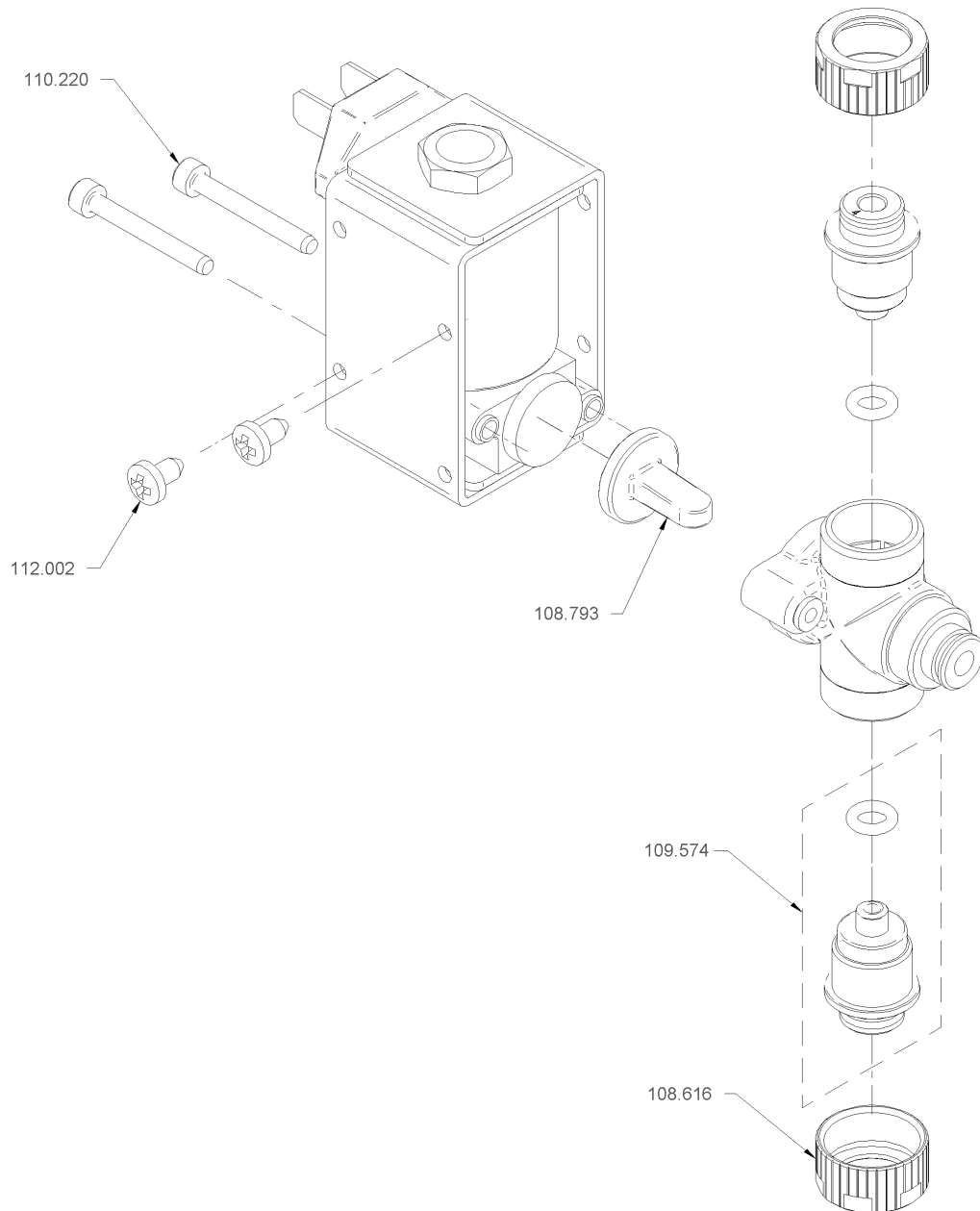
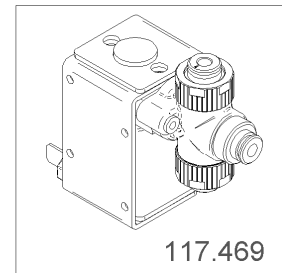
1.4.2.2.1 Solenoid valve 2/2,  $\phi 1.1$ , small NFC



**1.4.2.2.3 Diaphragm valve Hyd.Mod BW2v2/BW3**

Article no.	Description	Quantity
108.616	Grooved nut diaphragm valve	2.0
108.793	Diaphragm	1.0
109.574	Insert Valve Magma ø4 with O-ring	2.0
110.220	Socket head screw M3x25	2.0
112.002	Phillips sheet screw ST 3.5x6.5	2.0

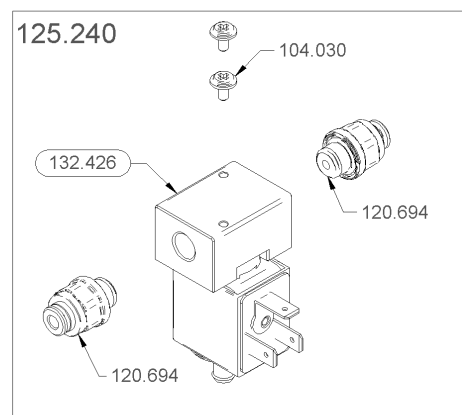
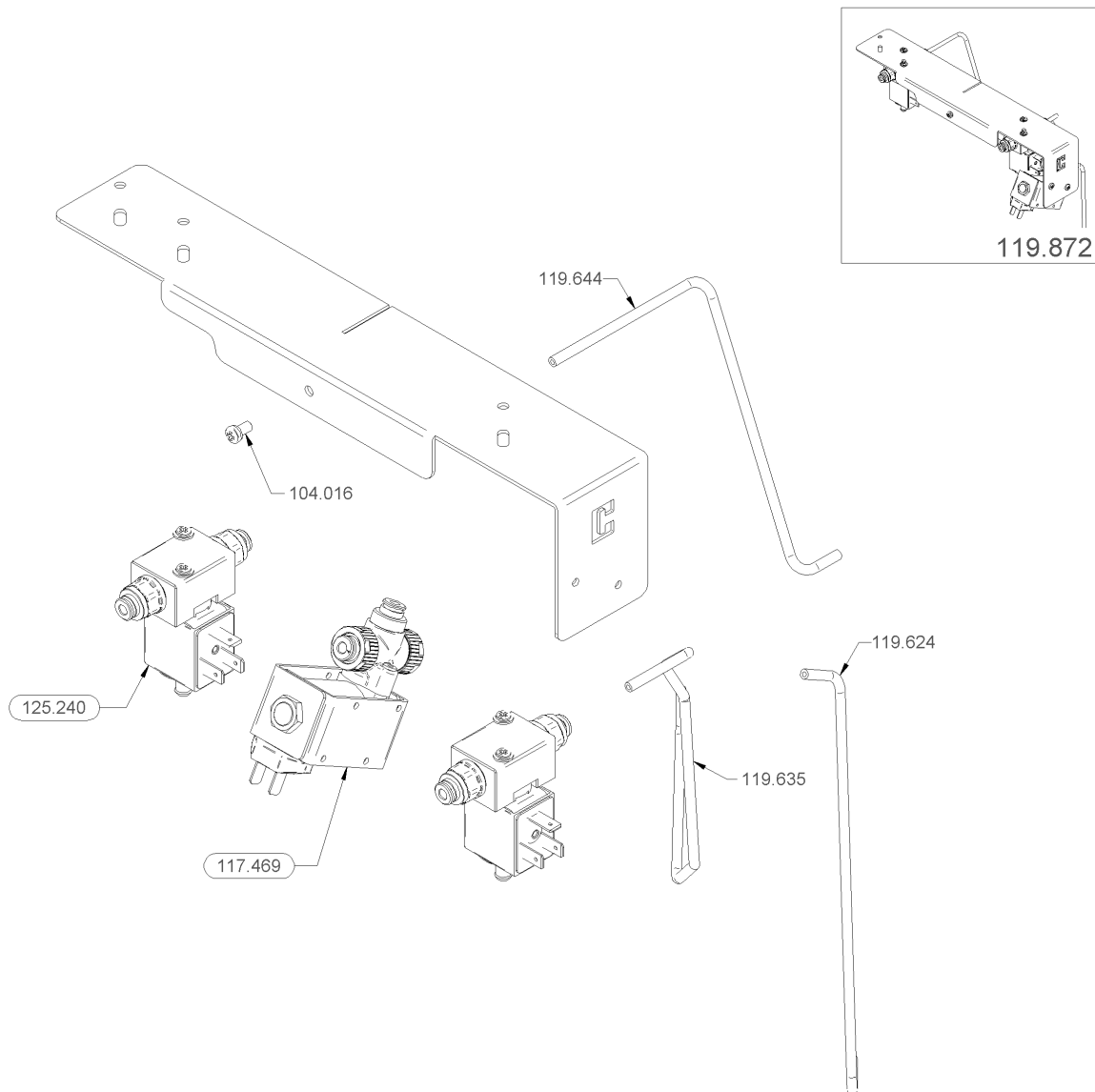
1.4.2.2.3 Diaphragm valve Hyd.Mod BW2v2/BW3



**1.4.2.3 Support valve assy.**

Article no.	Description	Quantity
104.016	Oval head Phillips combi screw M4x8	1.0
104.030	Oval pan head screw Phi. eco-fix M3x6	2.0
117.469	Diaphragm valve Hyd.Mod BW2v2/BW3	1.0
119.624	FEP pipe $\varnothing 4/2$ x 260mm	1.0
119.635	FEP pipe $\varnothing 4/2$ x 380mm	1.0
119.644	FEP pipe $\varnothing 4/2$ x 210mm	1.0
120.694	Straight connector 4-1/8	2.0
125.240	Solenoid valve 3/2, $\varnothing 1.1$ , set	2.0
132.426	Solenoid valve 3/2, $\varnothing 1.1$ , small NFC	1.0

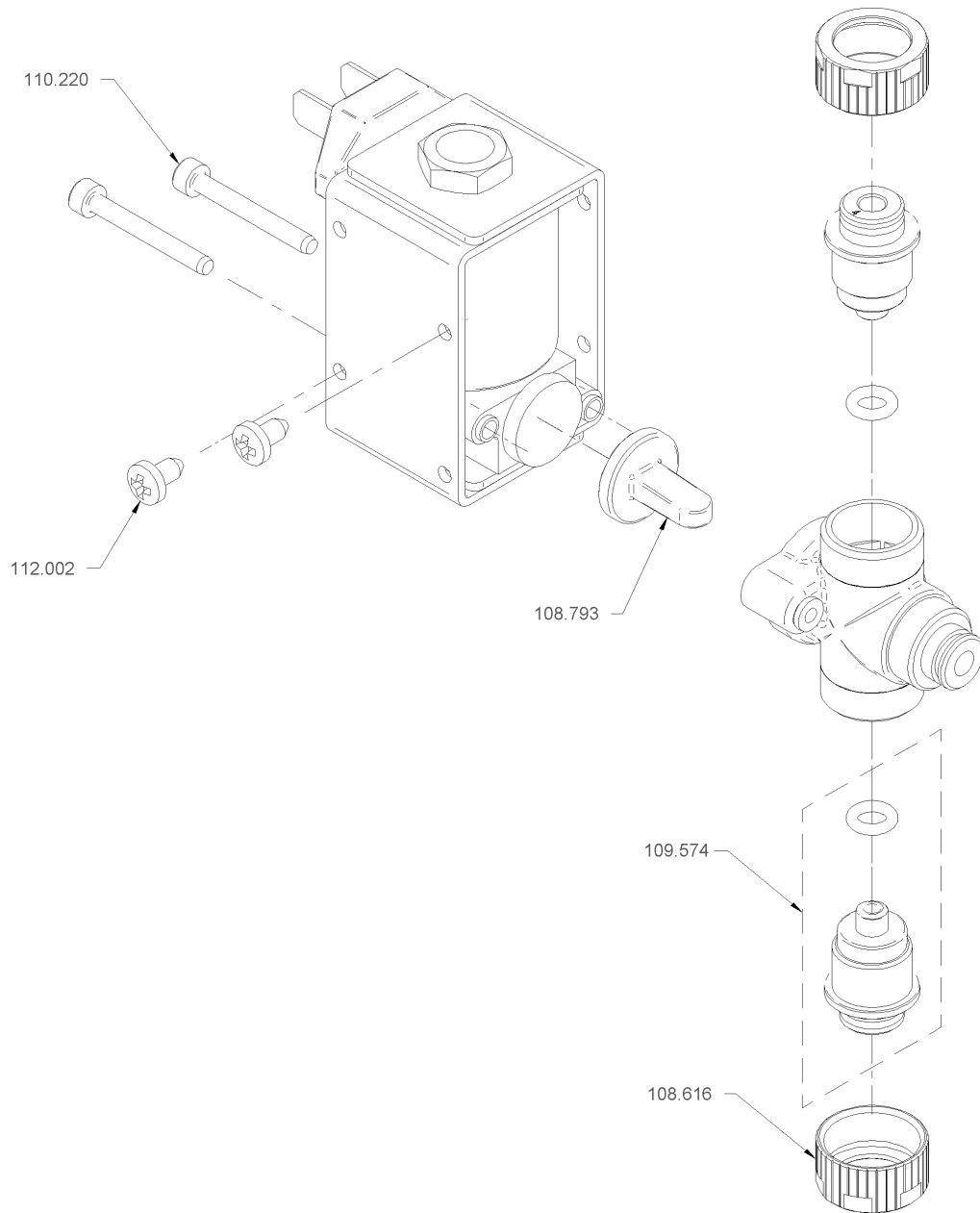
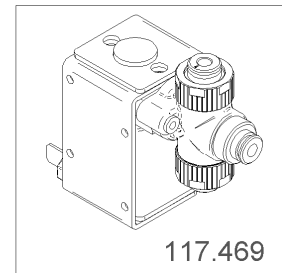
1.4.2.3 Support valve assy.



**1.4.2.3.1 Diaphragm valve Hyd.Mod BW2v2/BW3**

Article no.	Description	Quantity
108.616	Grooved nut diaphragm valve	2.0
108.793	Diaphragma	1.0
109.574	Insert Valve Magma ø4 with O-ring	2.0
110.220	Socket head screw M3x25	2.0
112.002	Phillips sheet screw ST 3.5x6.5	2.0

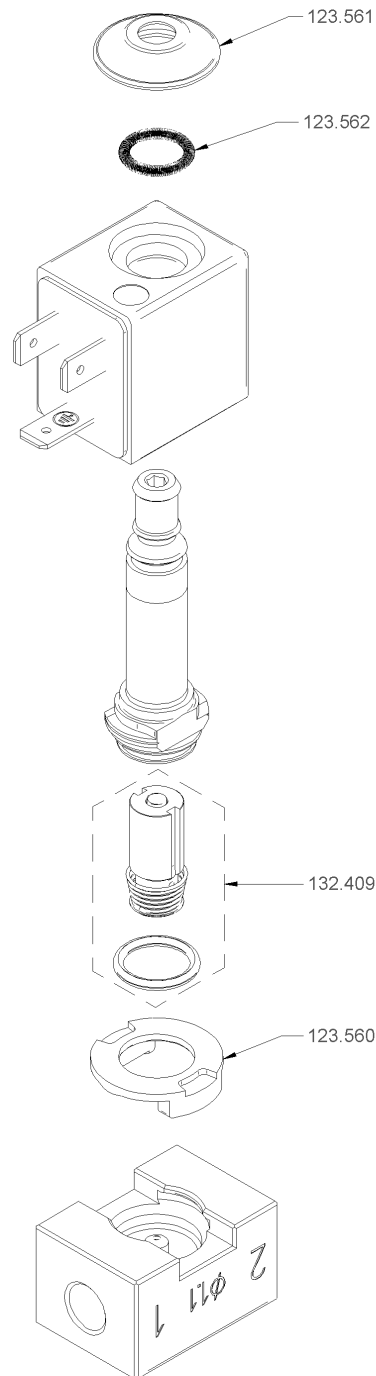
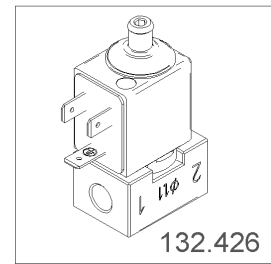
1.4.2.3.1 Diaphragm valve Hyd.Mod BW2v2/BW3



**1.4.2.3.2 Solenoid valve 3/2, ø1.1, small NFC**

Article no.	Description	Quantity
123.560	Supporting ring	1.0
123.561	Protection cap	1.0
123.562	Spring to magnet valve	1.0
132.409	Plunger kit 3/2 NFC	1.0

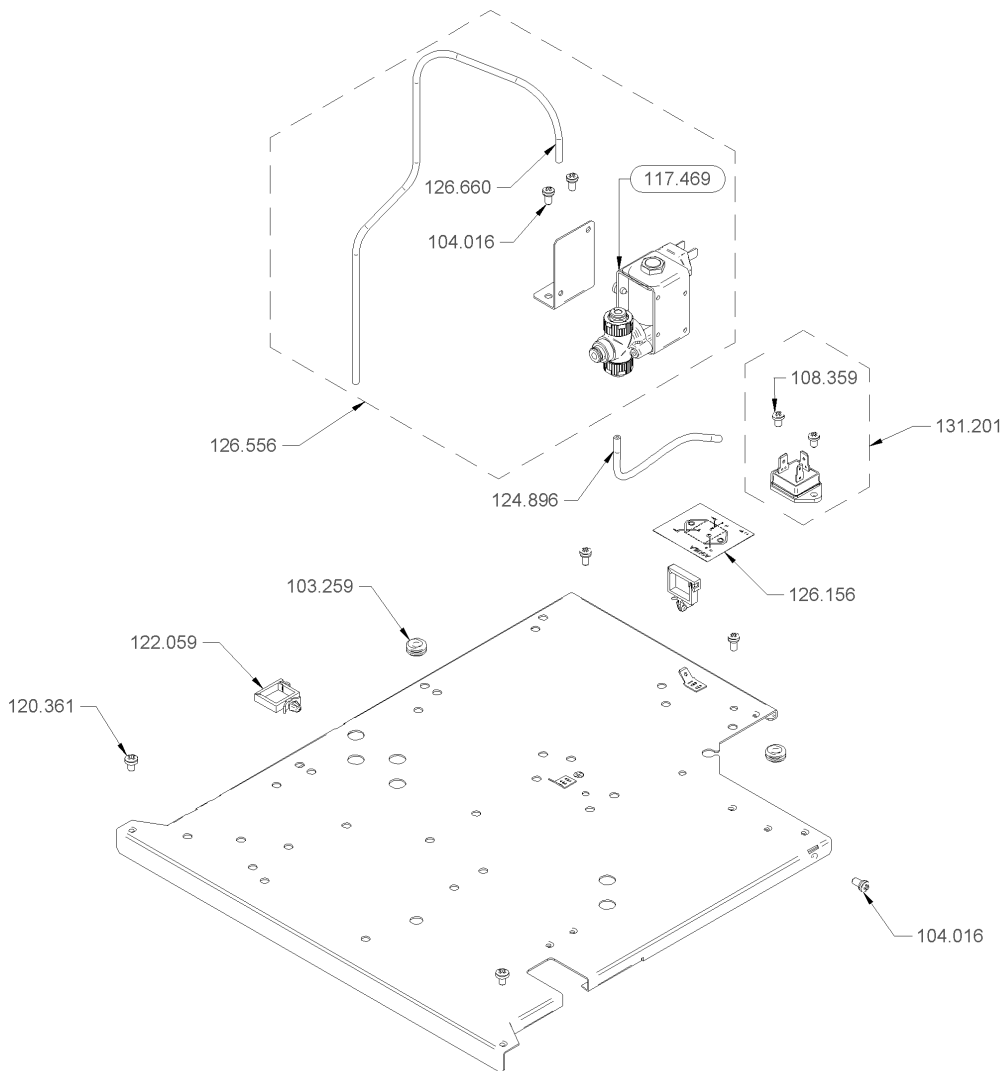
1.4.2.3.2 Solenoid valve 3/2,  $\phi 1.1$ , small NFC



**1.4.2.4 Top support assy. AG440**

Article no.	Description	Quantity
103.259	Cable bushing $\varnothing 11/8 \times 5.5$	2.0
104.016	Oval head Phillips combi screw M4x8	2.0
104.016	Oval head Phillips combi screw M4x8	3.0
108.359	Socket flat head screw M4x6	2.0
117.469	Diaphragm valve Hyd.Mod BW2v2/BW3	1.0
120.361	Oval head screw M4x6 Tuflok	2.0
122.059	Cable clip with anchor	2.0
124.896	FEP pipe $\varnothing 4/2 \times 130\text{mm}$	1.0
126.156	Sticker Triac "AG220, AG440"	1.0
126.556	Exhaust valve set	1.0
126.660	FEP pipe $\varnothing 4/2 \times 200\text{mm}$	1.0
131.201	Set Triac	1.0

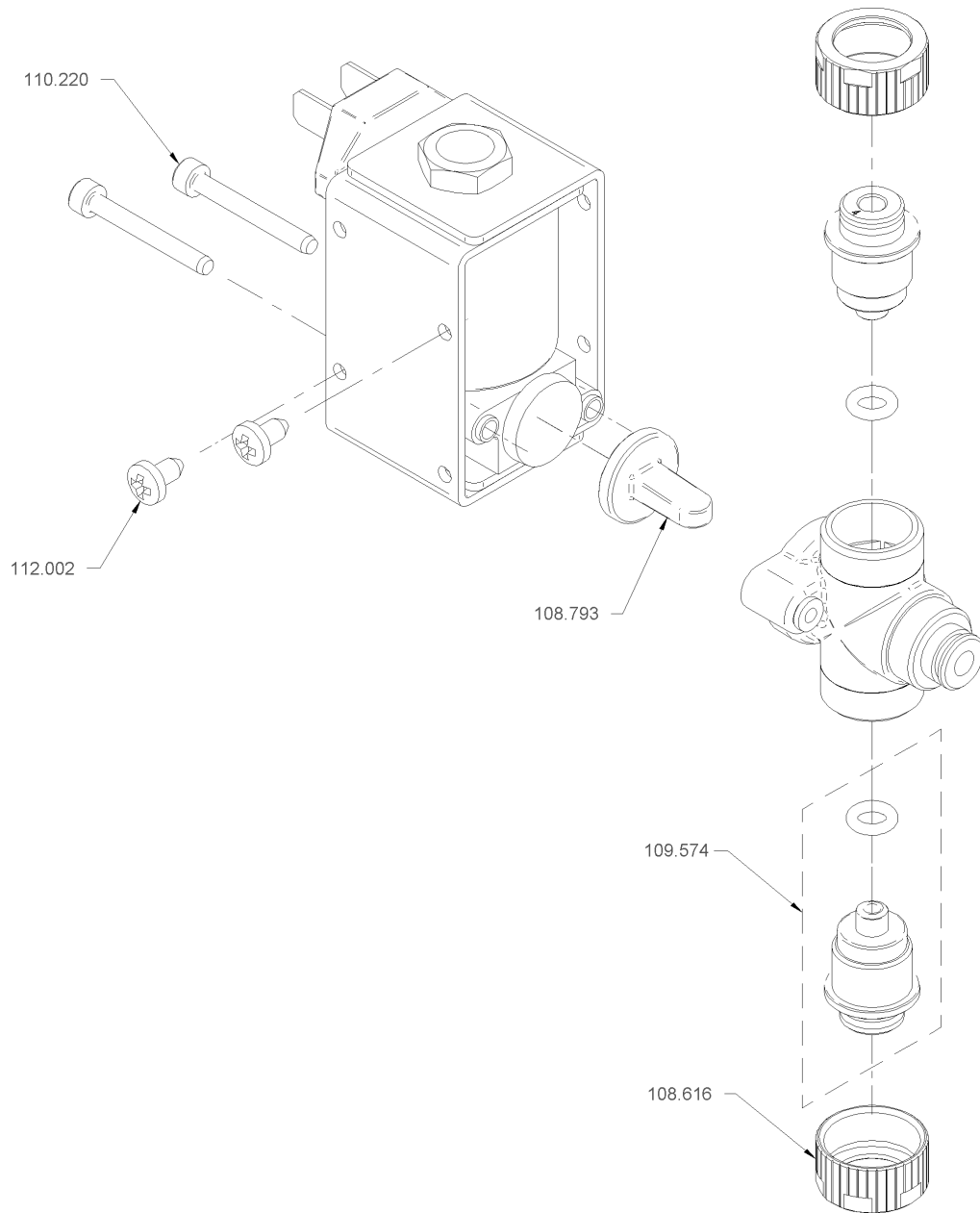
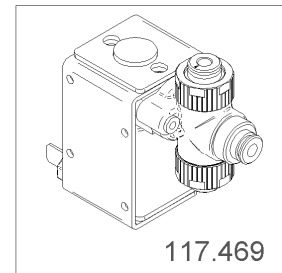
1.4.2.4 Top support assy. AG440



**1.4.2.4.1 Diaphragm valve Hyd.Mod BW2v2/BW3**

Article no.	Description	Quantity
108.616	Grooved nut diaphragm valve	2.0
108.793	Diaphragma	1.0
109.574	Insert Valve Magma ø4 with O-ring	2.0
110.220	Socket head screw M3x25	2.0
112.002	Phillips sheet screw ST 3.5x6.5	2.0

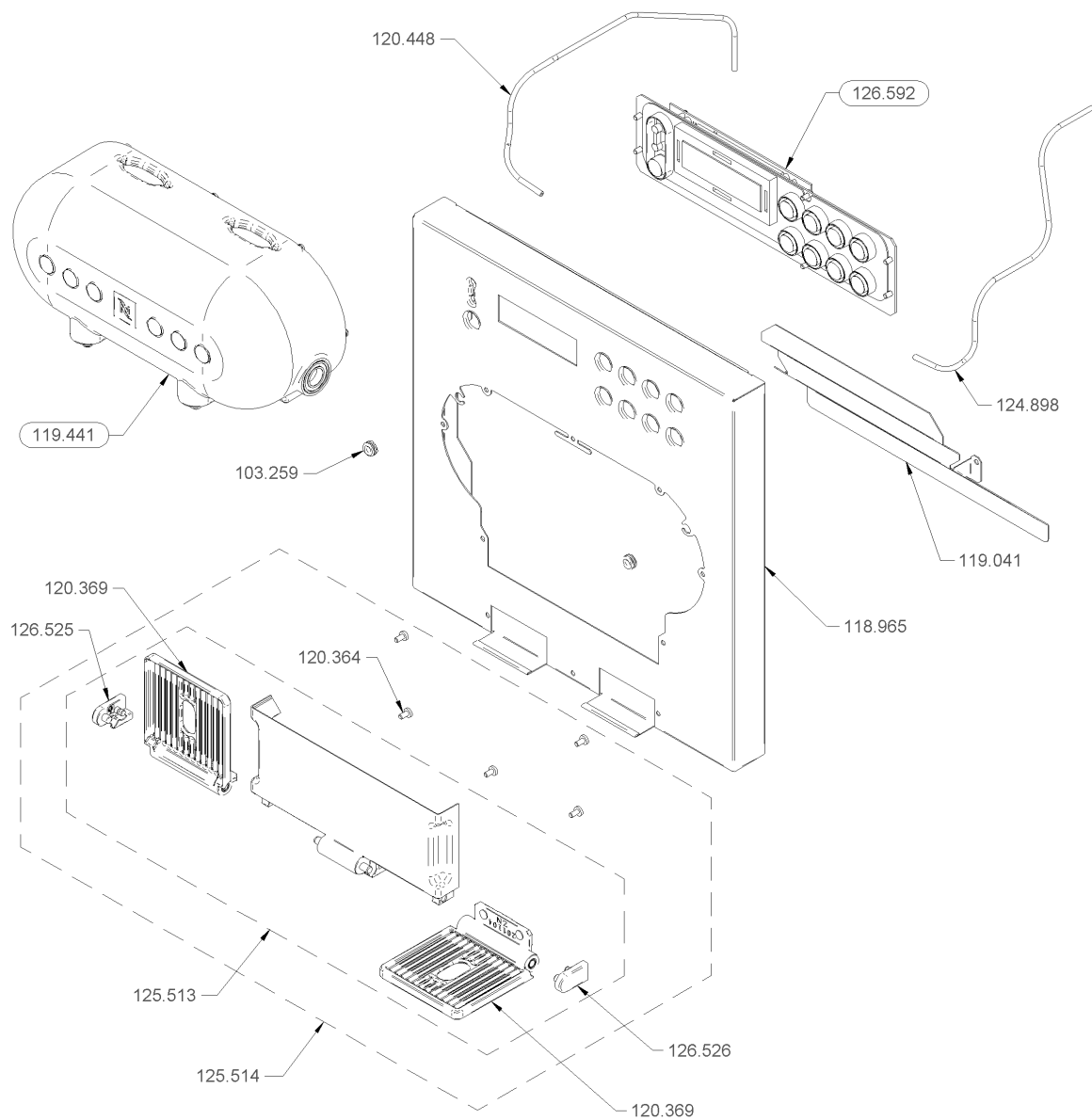
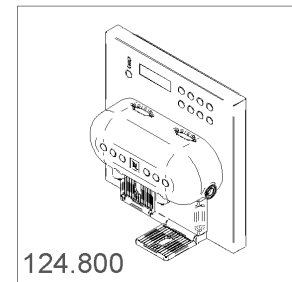
1.4.2.4.1 Diaphragm valve Hyd.Mod BW2v2/BW3



**1.4.2.5 Front assy. AG220**

Article no.	Description	Quantity
103.259	Cable bushing $\varnothing 11/8 \times 5.5$	2.0
118.965	Front sheet	1.0
119.041	Ejection sheet metal	1.0
119.441	Doublehead, assy.	1.0
120.364	Screw Phillips M4x8 Tuflok	5.0
120.369	Grid for cup support assy.	2.0
120.448	FEP pipe $\varnothing 4/2 \times 440\text{mm}$	1.0
124.898	FEP pipe $\varnothing 4/2 \times 290\text{mm}$	1.0
125.513	Cup support assy.	1.0
125.514	Cup support set	1.0
126.525	Fixation cup support left assy.	1.0
126.526	Fixation cup support right assy.	1.0
126.592	Keys with display, set	1.0

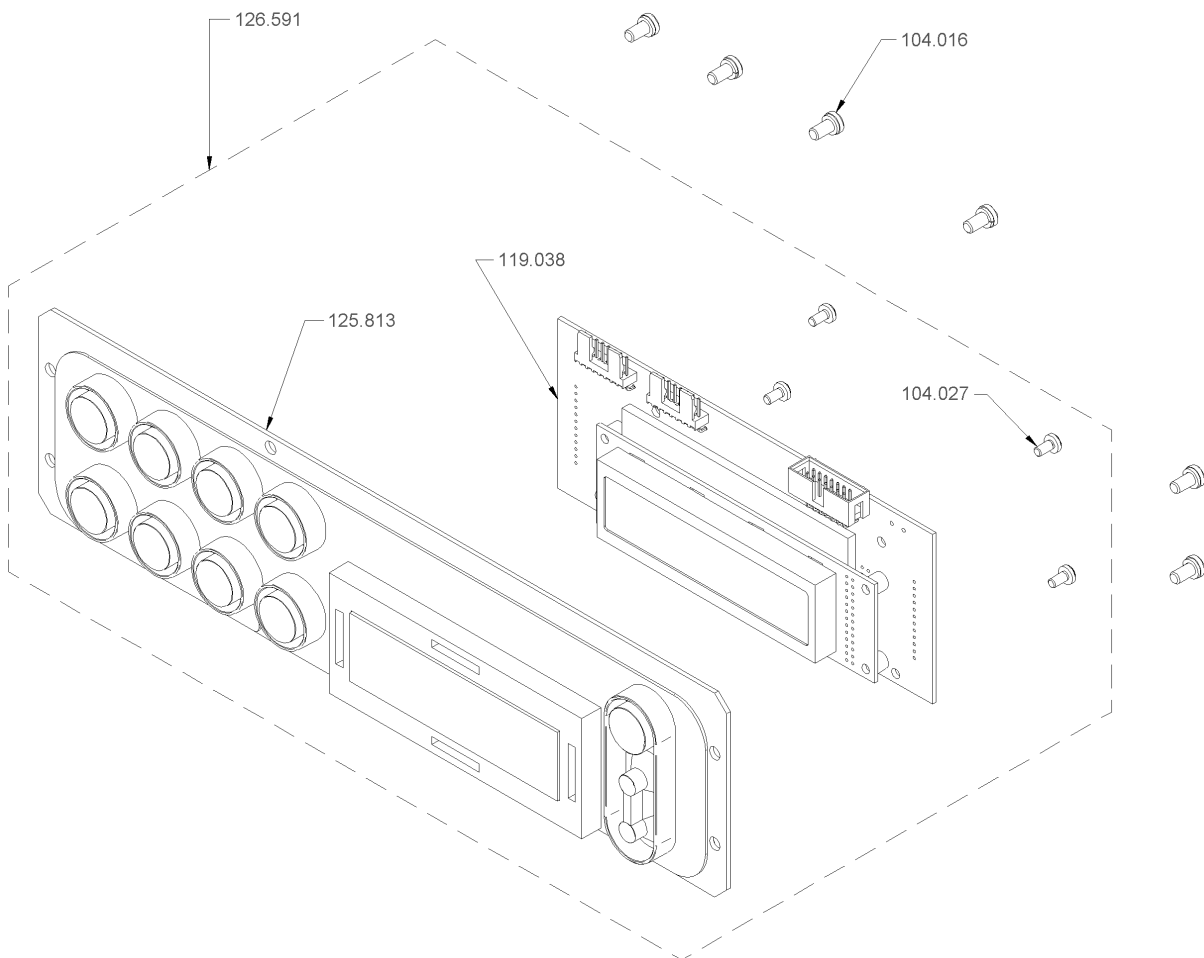
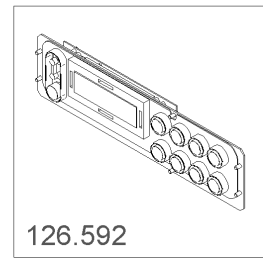
1.4.2.5 Front assy. AG220



**1.4.2.5.1 Keys with display, set**

Article no.	Description	Quantity
104.016	Oval head Phillips combi screw M4x8	6.0
104.027	Oval head screw Phillips M3x6	4.0
119.038	Displayprint EADI	1.0
125.813	Keyboard Tea-Milk AG220	1.0
126.591	Keys with display	1.0

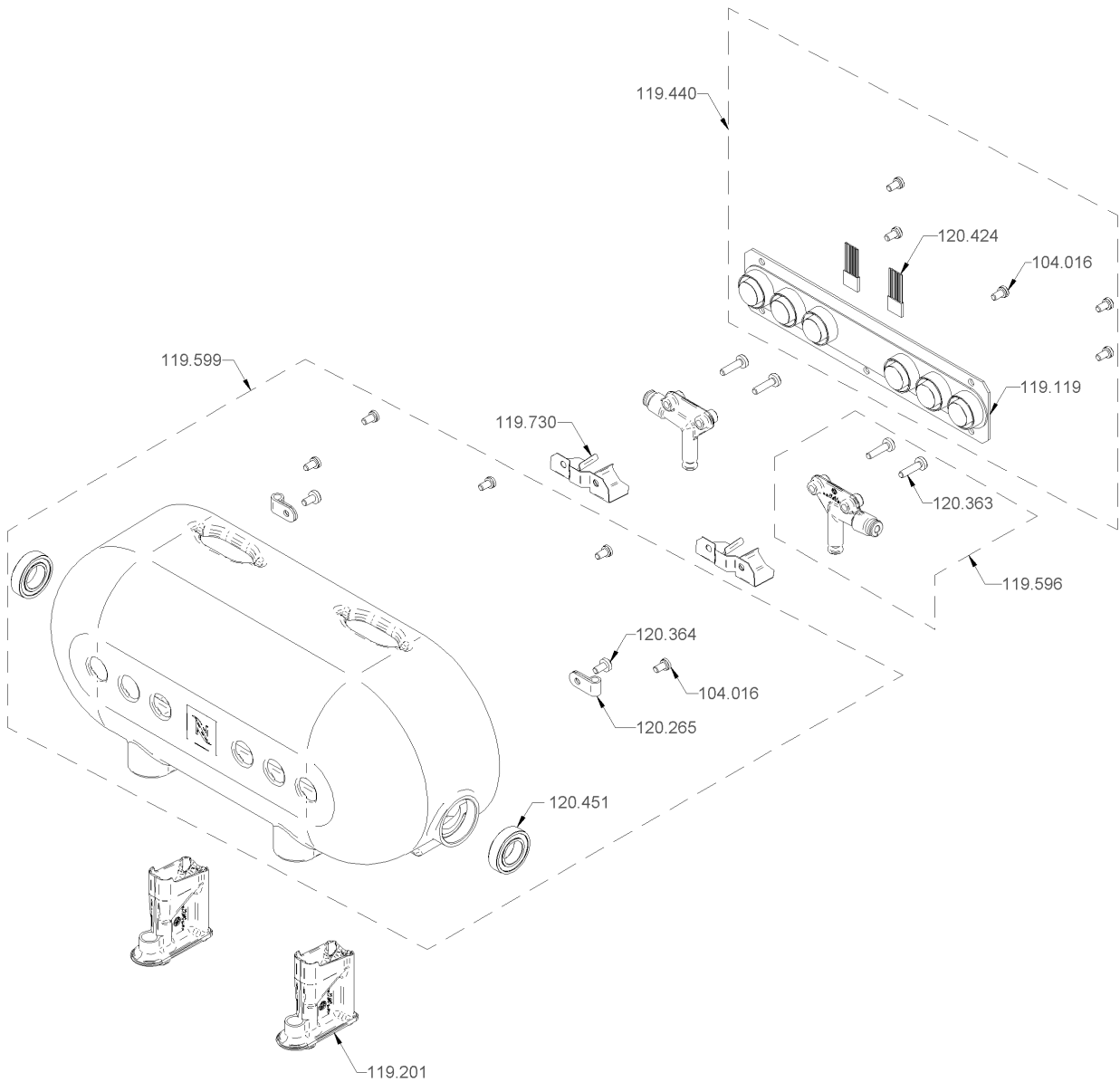
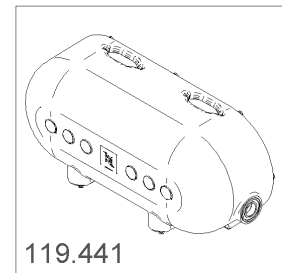
1.4.2.5.1 Keys with display, set



**1.4.2.5.2 Doublehead, assy.**

Article no.	Description	Quantity
104.016	Oval head Phillips combi screw M4x8	5.0
104.016	Oval head Phillips combi screw M4x8	5.0
119.119	Keyboard Coffee	1.0
119.201	Coffee outlet	2.0
119.440	Keyboard Coffee, assy.	1.0
119.596	Milk + Tea outlet set	2.0
119.599	Doublehead set	1.0
119.730	Spring clip outlet	2.0
120.265	Attachment-Clip 4.8	2.0
120.363	Screw phillips M4x16 Tuflok	2.0
120.364	Screw Phillips M4x8 Tuflok	2.0
120.424	Ribbon cable coffee keyboard	2.0
120.451	Ball bearing 61902	2.0

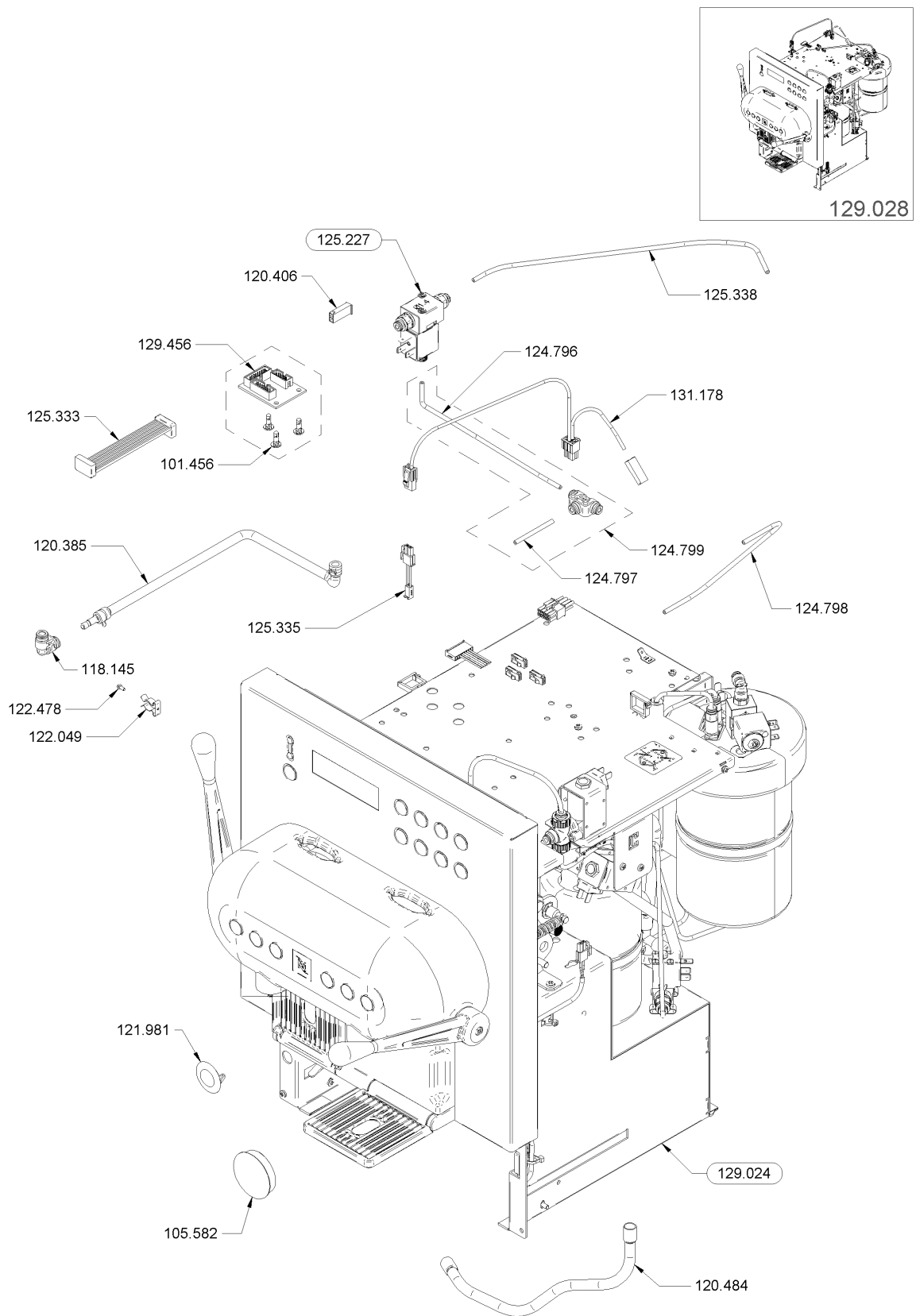
1.4.2.5.2 Doublehead, assy.



**1.5 Machine unit right AG440**

Article no.	Description	Quantity
101.456	Deck support piece ø5.5x8mm	3.0
105.582	Covering plate	1.0
118.145	Angle plug connection 6-6 PVDF	1.0
120.385	Milk pressure tube Machine unit r. set	1.0
120.406	Wiring harness cleaning key valve	1.0
120.484	Silicone hose ø10/7 x 420mm	1.0
121.981	Stop-cap HEYCO 22-25.5	1.0
122.049	Tool clip 80-10-2.5	1.0
122.478	Phillips screw M2.5x06	1.0
124.796	FEP pipe ø4/2 x 270mm	1.0
124.797	FEP pipe ø4/2 x 50mm	1.0
124.798	FEP pipe ø4/2 x 250mm	1.0
124.799	Tea tube set	1.0
125.227	Solenoid valve 3/2, ø1.4, small set	1.0
125.333	Flat cable 14 pin	1.0
125.335	Wiring harness NTC RF	1.0
125.338	Pipe FEP ø4/2 x 350mm	1.0
129.024	Machine unit AG440	1.0
129.456	A4AB connection board assy.	1.0
131.178	Cable 24V supply right module	1.0

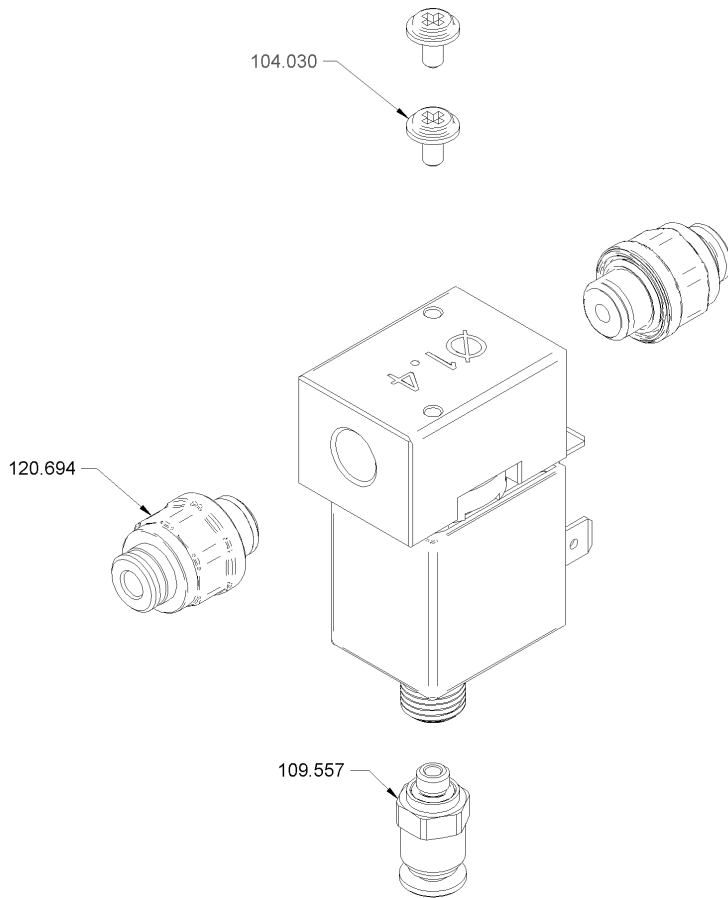
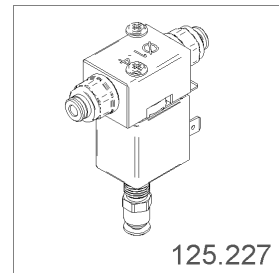
1.5 Machine unit right AG440



**1.5.1 Solenoid valve 3/2, ø1.4, small set**

Article no.	Description	Quantity
104.030	Oval pan head screw Phi. eco-fix M3x6	2.0
109.557	Straight connector 4-M5	1.0
120.694	Straight connector 4-1/8	2.0

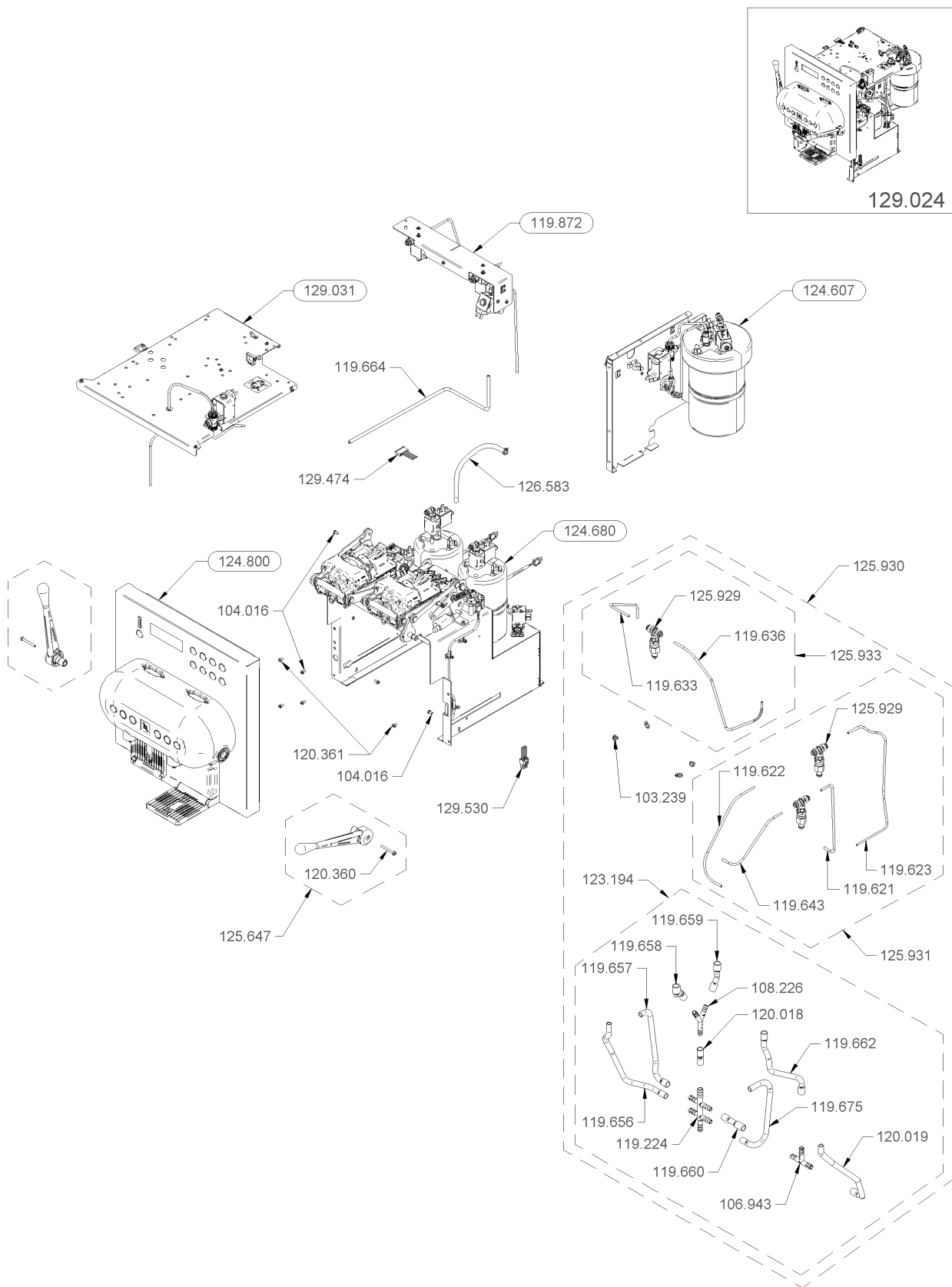
1.5.1 Solenoid valve 3/2,  $\varnothing 1.4$ , small set



**1.5.2 Machine unit AG440**

Article no.	Description	Quantity
103.239	Binding with fixing (large white)	4.0
104.016	Oval head Phillips combi screw M4x8	8.0
106.943	T-connector PP, 10	1.0
108.226	Y-branch connection ø8	1.0
119.224	Distributor 6x	1.0
119.621	FEP pipe ø4/2 x 250mm	1.0
119.622	FEP pipe ø4/2 x 260mm	1.0
119.623	FEP pipe ø4/2 x 380mm	1.0
119.633	FEP pipe ø4/2 x 160mm	1.0
119.636	FEP pipe ø4/2 x 410mm	1.0
119.643	FEP hose ø4/2 x 180mm	1.0
119.656	Silicone hose ø10/7 x 280mm	1.0
119.657	Silicone hose ø10/7 x 220mm	1.0
119.658	Silicone hose ø10/7 x 50mm	1.0
119.659	Silicone hose ø10/7 x 70mm	1.0
119.660	Silicone hose ø10/7 x 60mm	1.0
119.662	Silicone hose ø10/7 x 165mm	1.0
119.664	FEP pipe ø6/4 x 370mm	1.0
119.675	Silicone hose ø10/7 x 240mm	1.0
119.872	Support valve assy.	1.0
120.018	Silicone hose ø13/7 x 70mm	1.0
120.019	Silicone hose ø10/7 x 220mm	1.0
120.360	Oval head screw M4x35 Tuflok	1.0
120.361	Oval head screw M4x6 Tuflok	4.0
123.194	Piping set preassembly kpl.	1.0
124.607	Middle support, assy. AG220	1.0
124.680	Base of machinemodul AG220 assy.	1.0
124.800	Front assy. AG220	1.0
125.647	Lever Zamak set	2.0
125.929	Pressure control valve 16.5 bar set	2.0
125.929	Pressure control valve 16.5 bar set	1.0
125.930	Piping set distributor sixfold assy.	1.0
125.931	Piping set check valve	1.0
125.933	Piping set check valve	1.0
126.583	Air intake milk foam kit AG220	1.0
129.031	Top support assy. AG440	1.0
129.474	Wiring harness signals AG440	1.0
129.530	Wiring harness module power	1.0

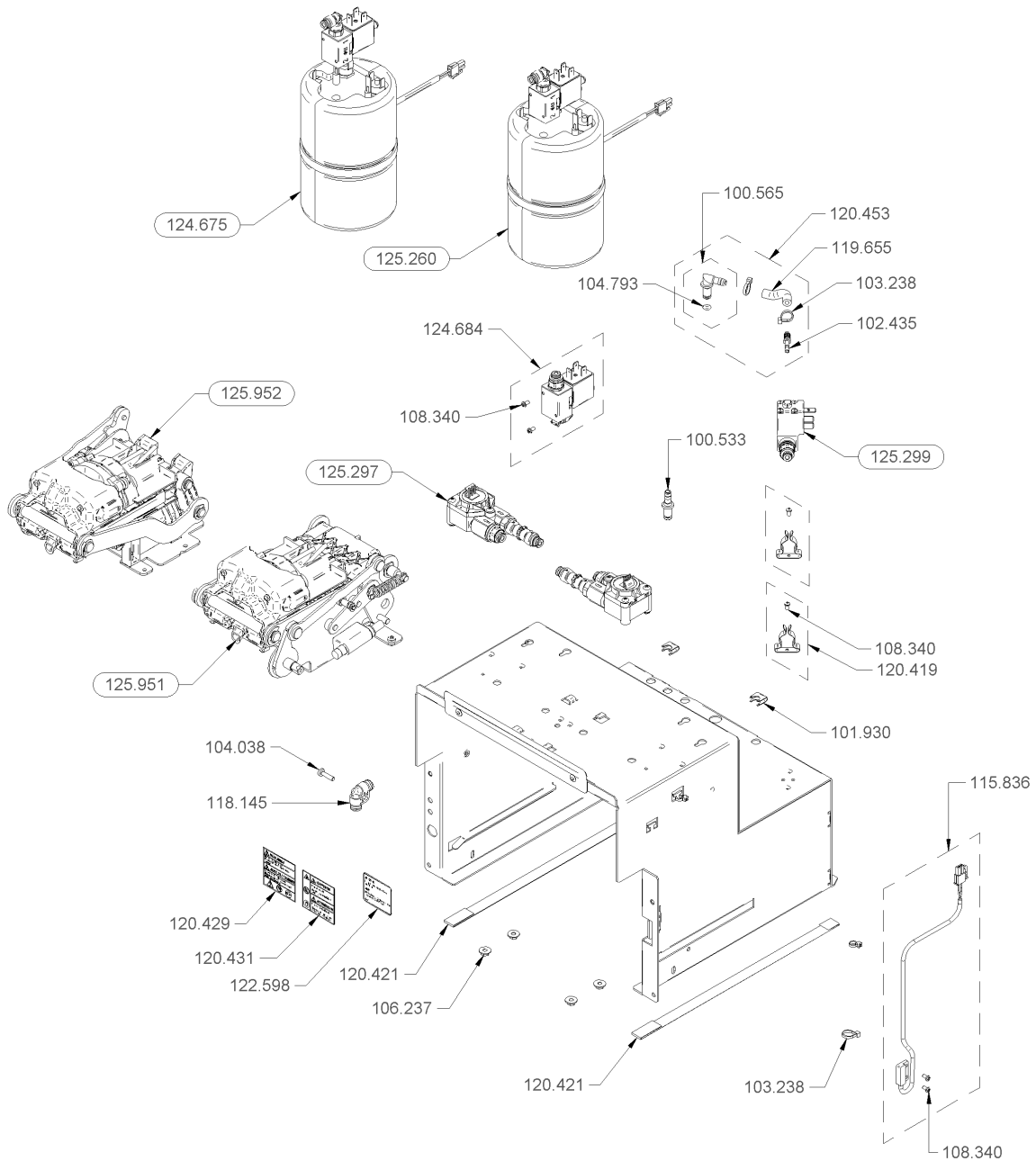
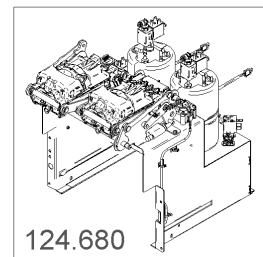
1.5.2 Machine unit AG440



**1.5.2.1 Base of machinemodul AG220 assy.**

Article no.	Description	Quantity
100.533	Connection nipple straight	1.0
100.565	Angle connection, assembly	1.0
101.930	Spring clip	1.0
102.435	Straight connection ø4	1.0
103.238	Cable tie 85/22	3.0
103.238	Cable tie 85/22	2.0
104.038	Oval head screw Phillips M4x16	1.0
104.793	O-Ring 5.00x1.50 MVQ	1.0
106.237	Hexagonal nut M4 kombi	4.0
108.340	Socket head screw M3x6 Phillips	2.0
108.340	Socket head screw M3x6 Phillips	1.0
108.340	Socket head screw M3x6 Phillips	2.0
115.836	Reed switch with screws	1.0
118.145	Angle plug connection 6-6 PVDF	1.0
119.655	Silicone hose ø8.5/4 x 50mm	1.0
120.419	Tool clip ø16-19 set	2.0
120.421	Slide tape 13x 325mm	2.0
120.429	Label "Electric shock hazard"	1.0
120.431	Label "Burn hazard"	1.0
120.453	Piping set drain valve	1.0
122.598	Sticker pump Aguila	1.0
124.675	Coffee Boiler left assy.	1.0
124.684	Solenoid valve 2/2, ø1.1, small set	1.0
125.260	Coffee Boiler, assy.	1.0
125.297	Flowmeter ø4-1/4, ø1.15, set	2.0
125.299	Diaphragm valve 2/2, ø2.0, small, assy.	1.0
125.951	B2B BU Horeca right assy.	1.0
125.952	B2B Horeca left assy.	1.0

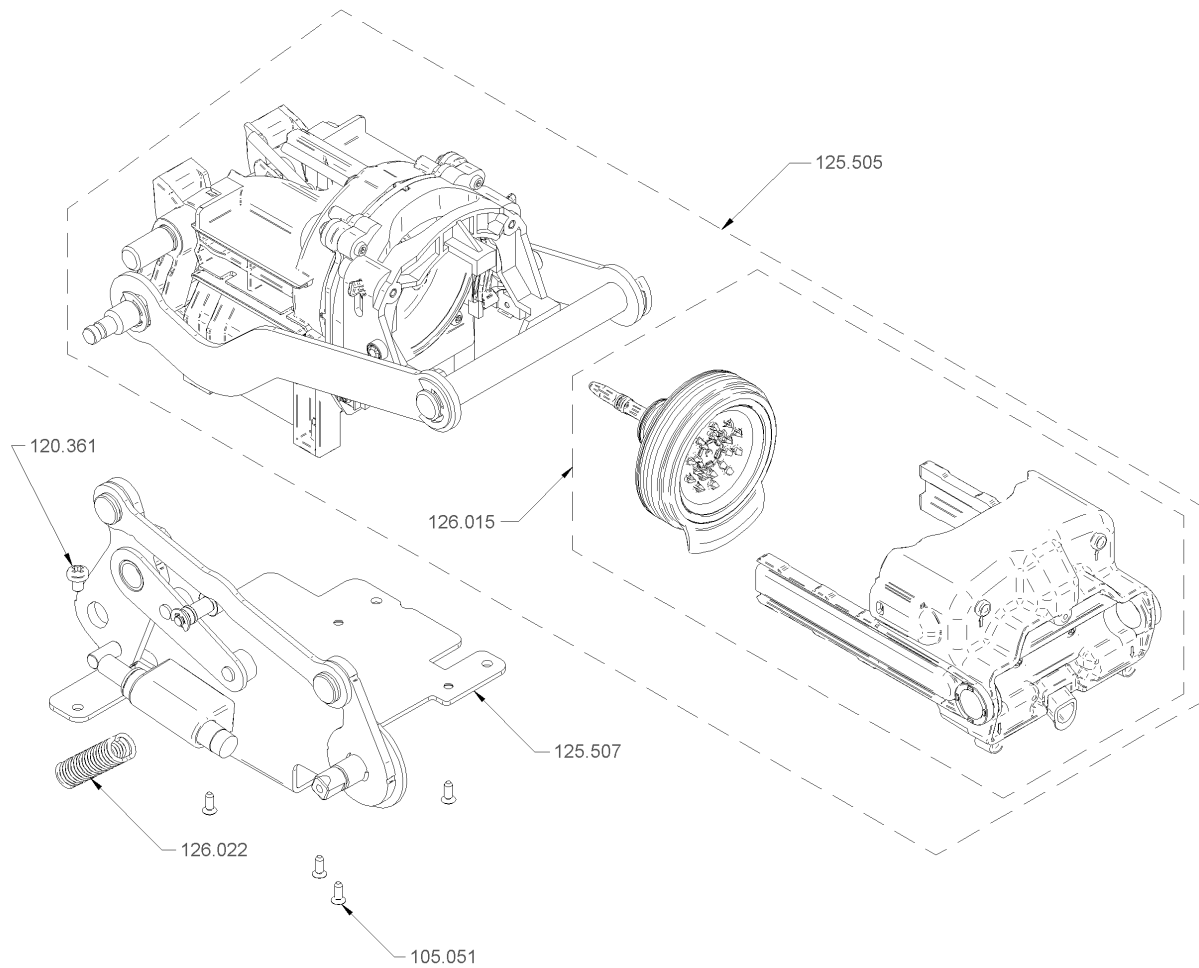
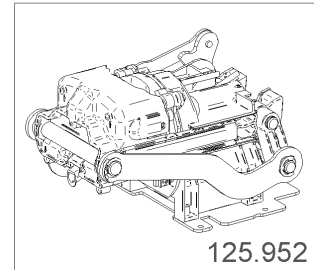
1.5.2.1 Base of machinemodul AG220 assy.



**1.5.2.1.1 B2B Horeca left assy.**

Article no.	Description	Quantity
105.051	Countersunk PT screw Phillips KA30x8	4.0
120.361	Oval head screw M4x6 Tuflok	1.0
125.505	B2B BU Horeca left	1.0
125.507	Lagerträgerblech kpl. links Horeca	1.0
126.015	BU Maintenance Kit	1.0
126.022	Spring for BU Horeca	1.0

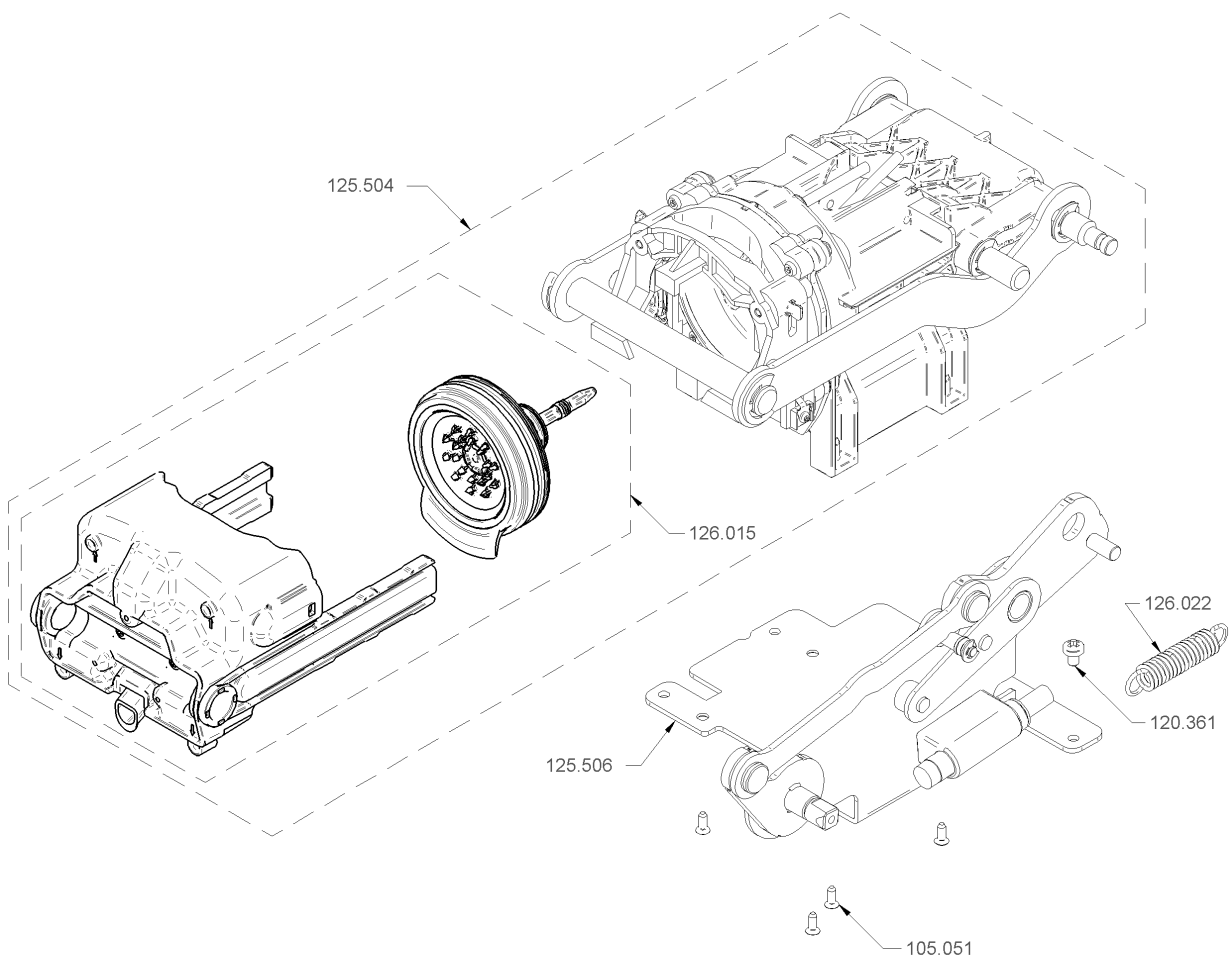
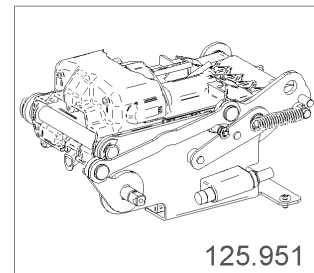
1.5.2.1.1 B2B Horeca left assy.



**1.5.2.1.2 B2B BU Horeca right assy.**

Article no.	Description	Quantity
105.051	Countersunk PT screw Phillips KA30x8	4.0
120.361	Oval head screw M4x6 Tuflok	1.0
125.504	B2B BU Horeca right	1.0
125.506	Bearing carrier sheet assy. right Horeca	1.0
126.015	BU Maintenance Kit	1.0
126.022	Spring for BU Horeca	1.0

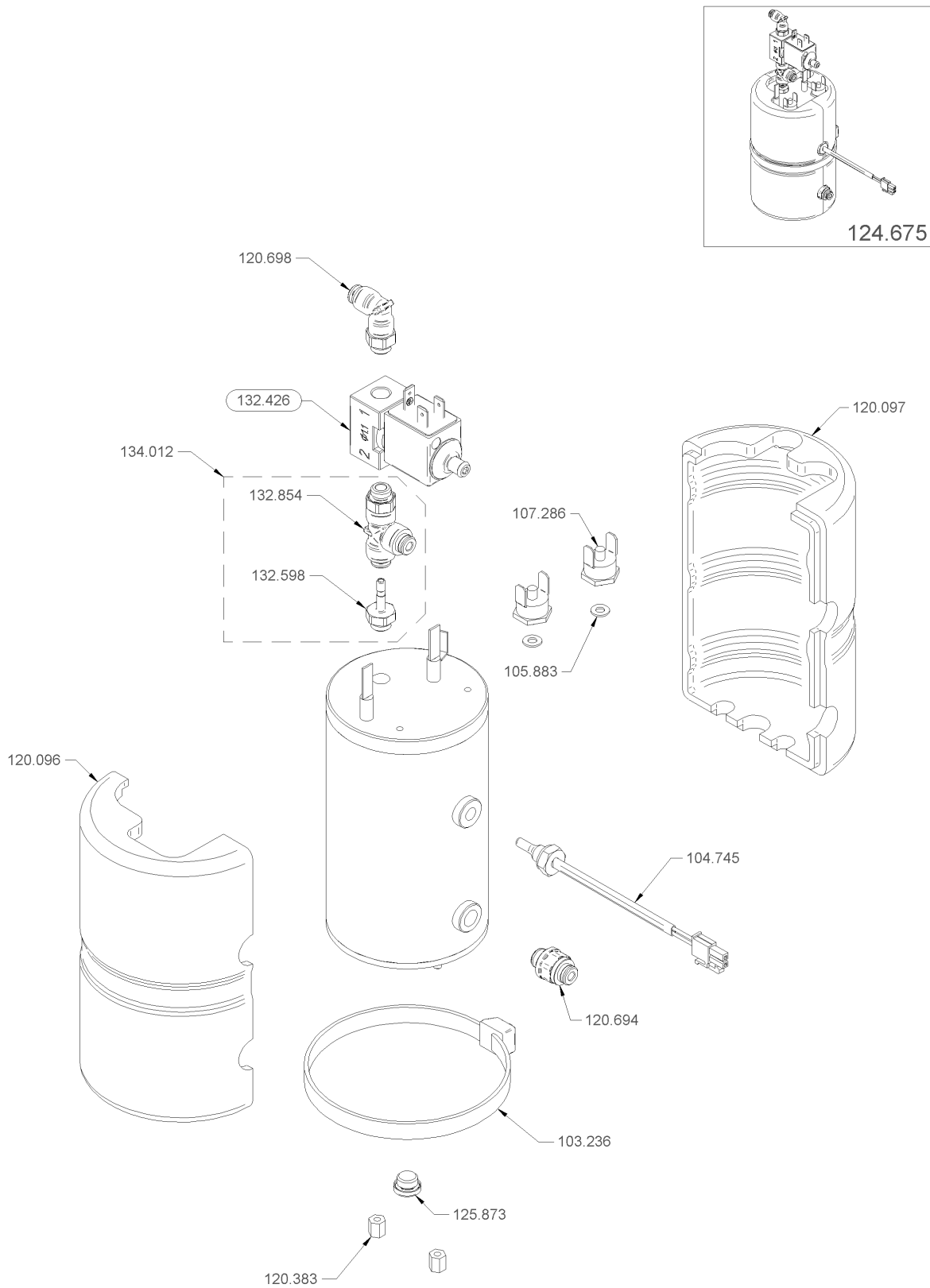
1.5.2.1.2 B2B BU Horeca right assy.



**1.5.2.1.3 Coffee Boiler left assy.**

Article no.	Description	Quantity
103.236	Cable tie 530x8.9	1.0
104.745	NTC sensor for boiler, assembly	1.0
105.883	Flat washer M4	2.0
107.286	Thermal security 125°C HM	2.0
120.096	Isolating coffee boiler left	1.0
120.097	Isolating coffee boiler right	1.0
120.383	Hexagonal spacer M4x8	2.0
120.694	Straight connector 4-1/8	1.0
120.698	Elbow connector 4-1/8	1.0
125.873	Drain plug G1/8	1.0
132.426	Solenoid valve 3/2, $\varnothing$ 1.1, small NFC	1.0
132.598	Straight screwed coupling 4-1/8	1.0
132.854	L-connector $\varnothing$ 4-1/8	1.0
134.012	L-connector set	1.0

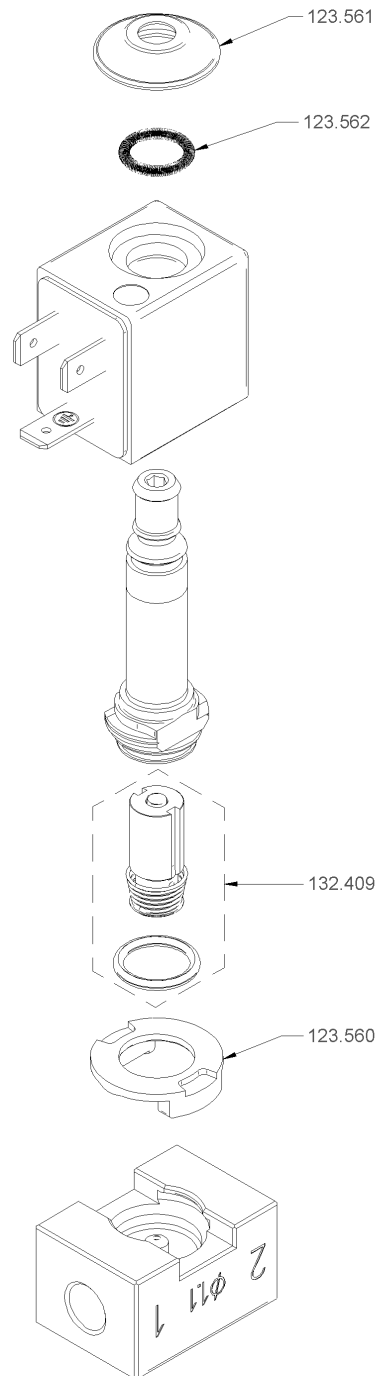
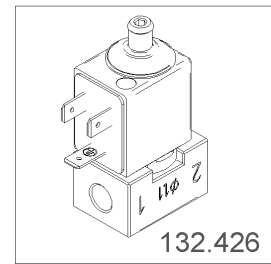
1.5.2.1.3 Coffee Boiler left assy.



**1.5.2.1.3.1 Solenoid valve 3/2, ø1.1, small NFC**

Article no.	Description	Quantity
123.560	Supporting ring	1.0
123.561	Protection cap	1.0
123.562	Spring to magnet valve	1.0
132.409	Plunger kit 3/2 NFC	1.0

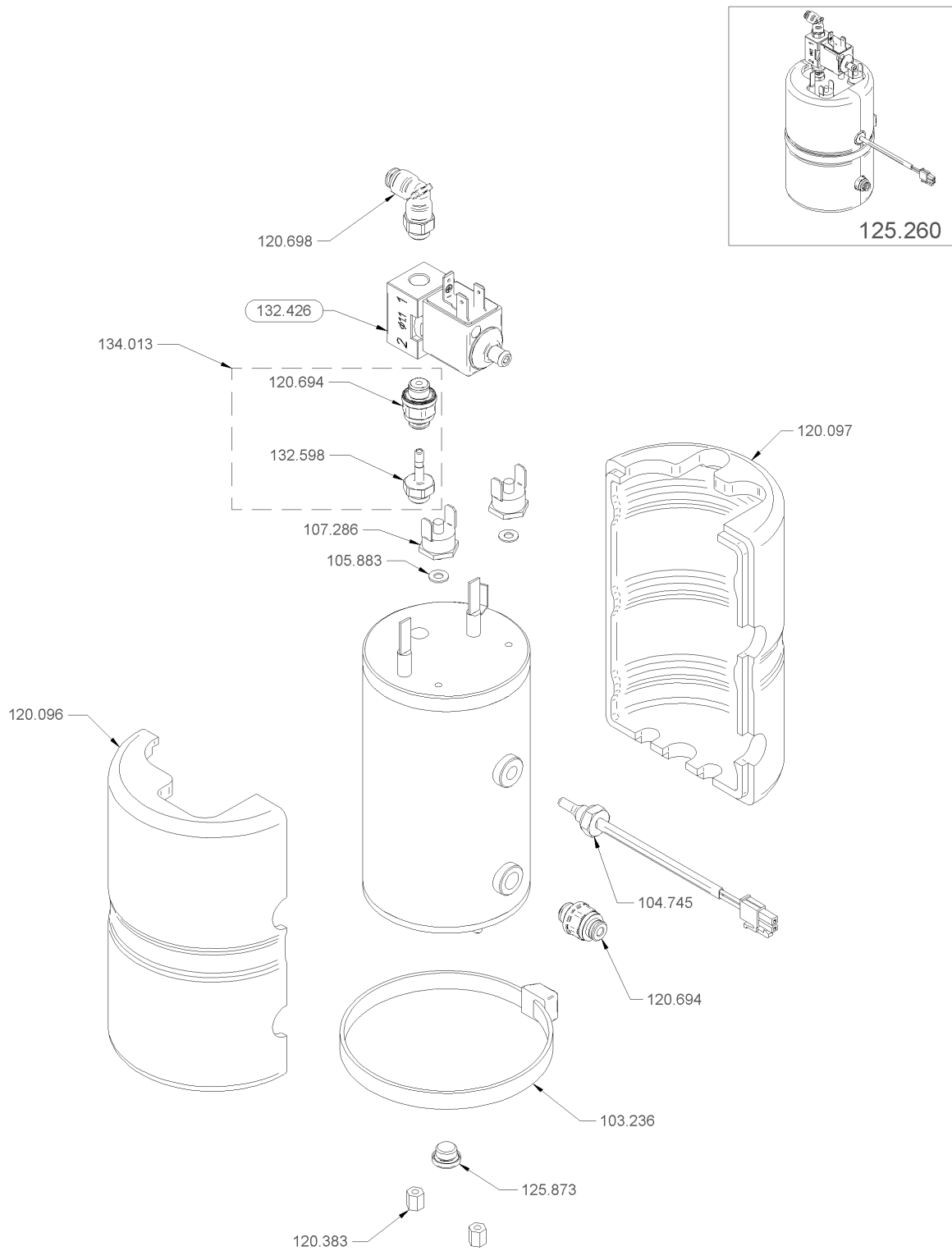
1.5.2.1.3.1 Solenoid valve 3/2,  $\phi 1.1$ , small NFC



**1.5.2.1.4 Coffee Boiler, assy.**

Article no.	Description	Quantity
103.236	Cable tie 530x8.9	1.0
104.745	NTC sensor for boiler, assembly	1.0
105.883	Flat washer M4	2.0
107.286	Thermal security 125°C HM	2.0
120.096	Isolating coffee boiler left	1.0
120.097	Isolating coffee boiler right	1.0
120.383	Hexagonal spacer M4x8	2.0
120.694	Straight connector 4-1/8	1.0
120.698	Elbow connector 4-1/8	1.0
125.873	Drain plug G1/8	1.0
132.426	Solenoid valve 3/2, ø1.1, small NFC	1.0
132.598	Straight screwed coupling 4-1/8	1.0
134.013	Straight connector set	1.0

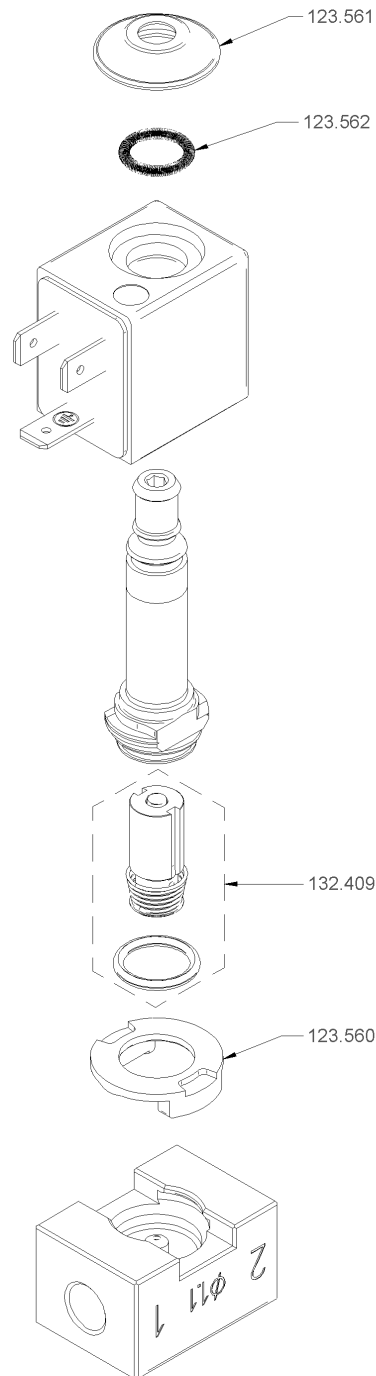
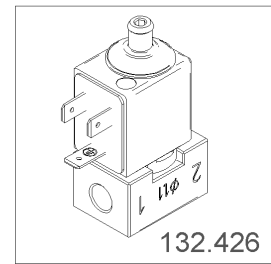
1.5.2.1.4 Coffee Boiler, assy.



**1.5.2.1.4.1 Solenoid valve 3/2, ø1.1, small NFC**

Article no.	Description	Quantity
123.560	Supporting ring	1.0
123.561	Protection cap	1.0
123.562	Spring to magnet valve	1.0
132.409	Plunger kit 3/2 NFC	1.0

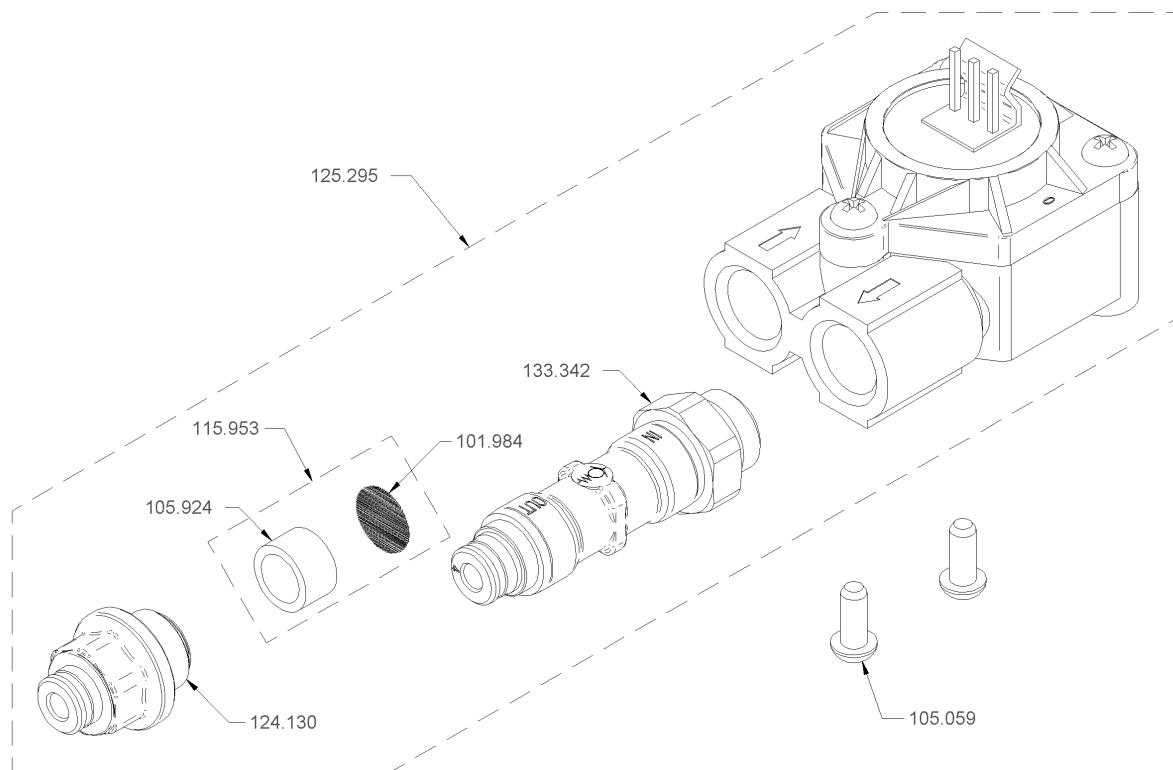
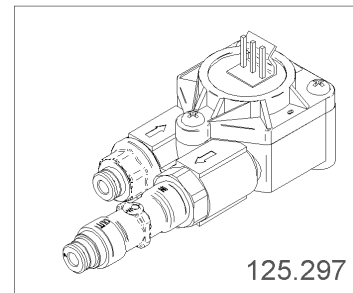
1.5.2.1.4.1 Solenoid valve 3/2,  $\phi 1.1$ , small NFC



**1.5.2.1.5 Flowmeter  $\varnothing$ 4-1/4,  $\varnothing$ 1.15, set**

Article no.	Description	Quantity
101.984	Filter for flowmeter 1/4	1.0
105.059	Oval head PT screw Phillips KA40x10	2.0
105.924	Sleeve	1.0
115.953	Water strainer flowmeter	1.0
124.130	Straight fitting 4-1/4	1.0
125.295	Flowmeter $\varnothing$ 4-1/4, $\varnothing$ 1.15, assy.	1.0
133.342	Check valve $\varnothing$ 4-1/4	1.0

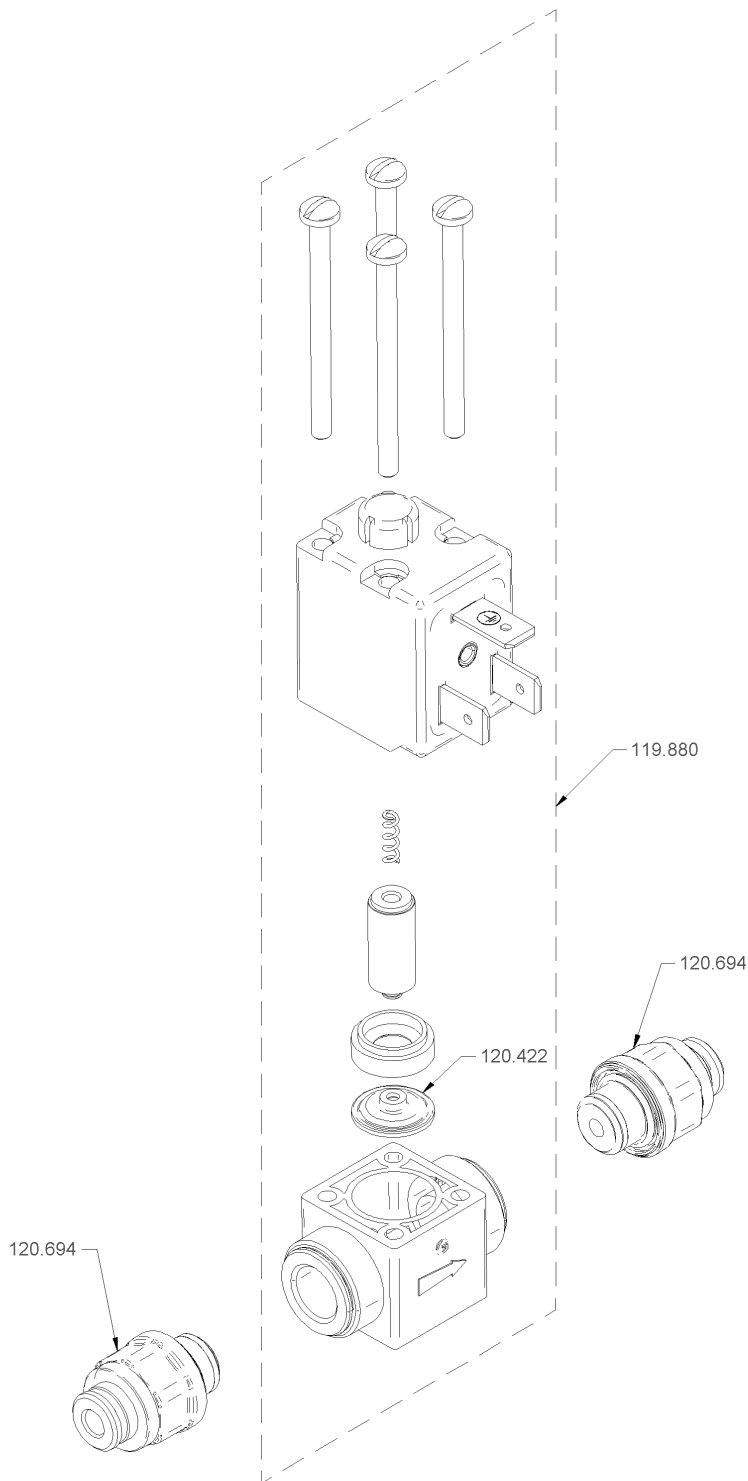
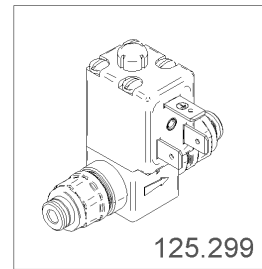
1.5.2.1.5 Flowmeter  $\varnothing 4-1/4$ ,  $\varnothing 1.15$ , set



**1.5.2.1.6 Diaphragm valve 2/2, ø2.0, small, assy.**

Article no.	Description	Quantity
119.880	Diaphragm valve 2/2, ø2.0, small	1.0
120.422	Diaphragm	1.0
120.694	Straight connector 4-1/8	2.0

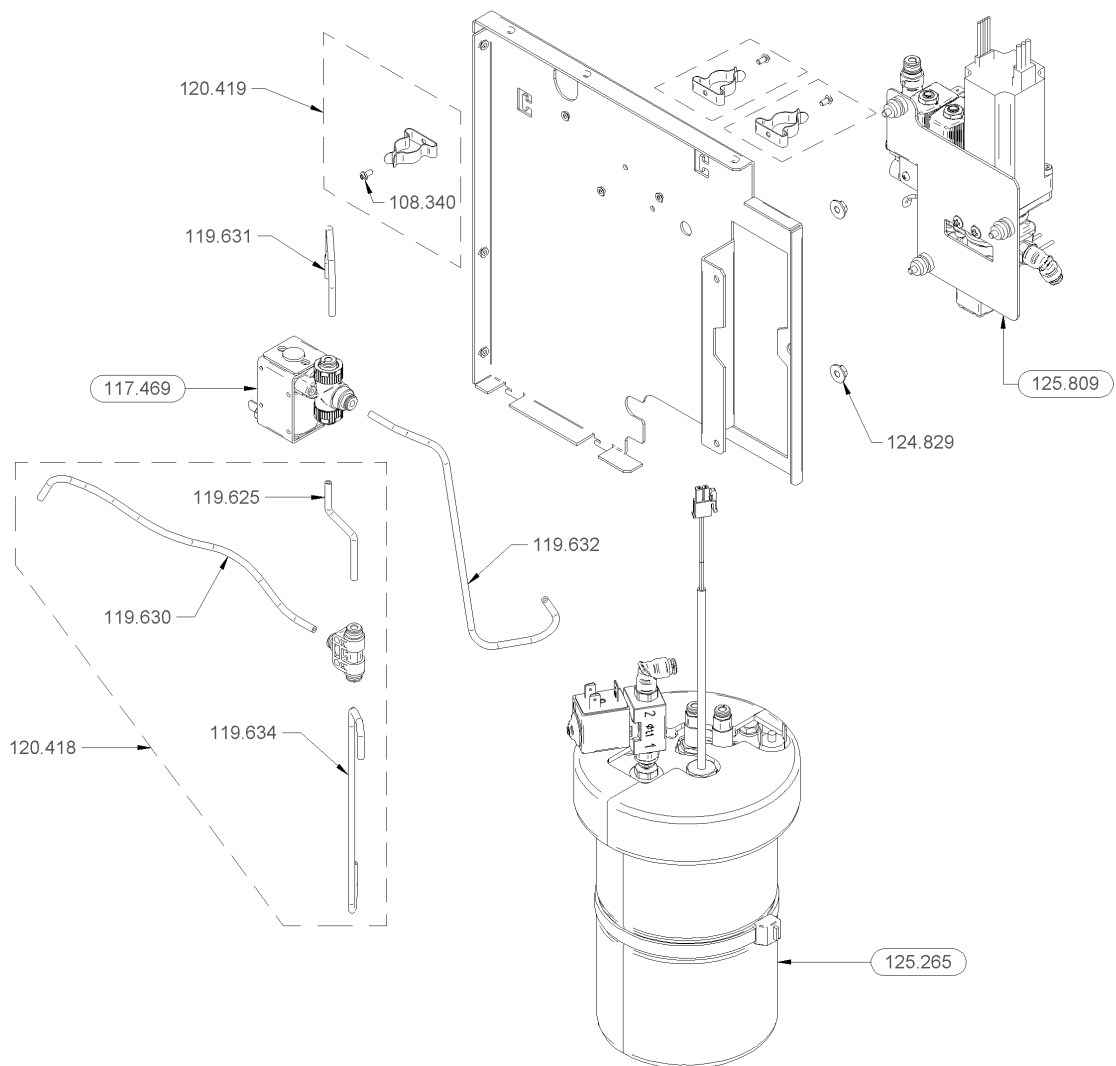
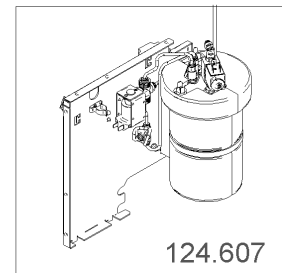
1.5.2.1.6 Diaphragm valve 2/2,  $\varnothing 2.0$ , small, assy.



**1.5.2.2 Middle support, assy. AG220**

Article no.	Description	Quantity
108.340	Socket head screw M3x6 Phillips	1.0
117.469	Diaphragm valve Hyd.Mod BW2v2/BW3	1.0
119.625	FEP pipe $\varnothing 4/2$ x 100mm	1.0
119.630	FEP pipe $\varnothing 4/2$ x 160mm	1.0
119.631	FEP pipe $\varnothing 4/2$ x 140mm	1.0
119.632	Pipe FEP $\varnothing 4/2$ x 180mm	1.0
119.634	Pipe FEP $\varnothing 4/2$ x 300mm	1.0
120.418	Piping set milk	1.0
120.419	Tool clip $\varnothing 16-19$ set	3.0
124.829	Hex nuts with flange and serrations M04	2.0
125.265	Milk Tea/Boiler, 230V assy.	1.0
125.809	Milk Pump assy.	1.0

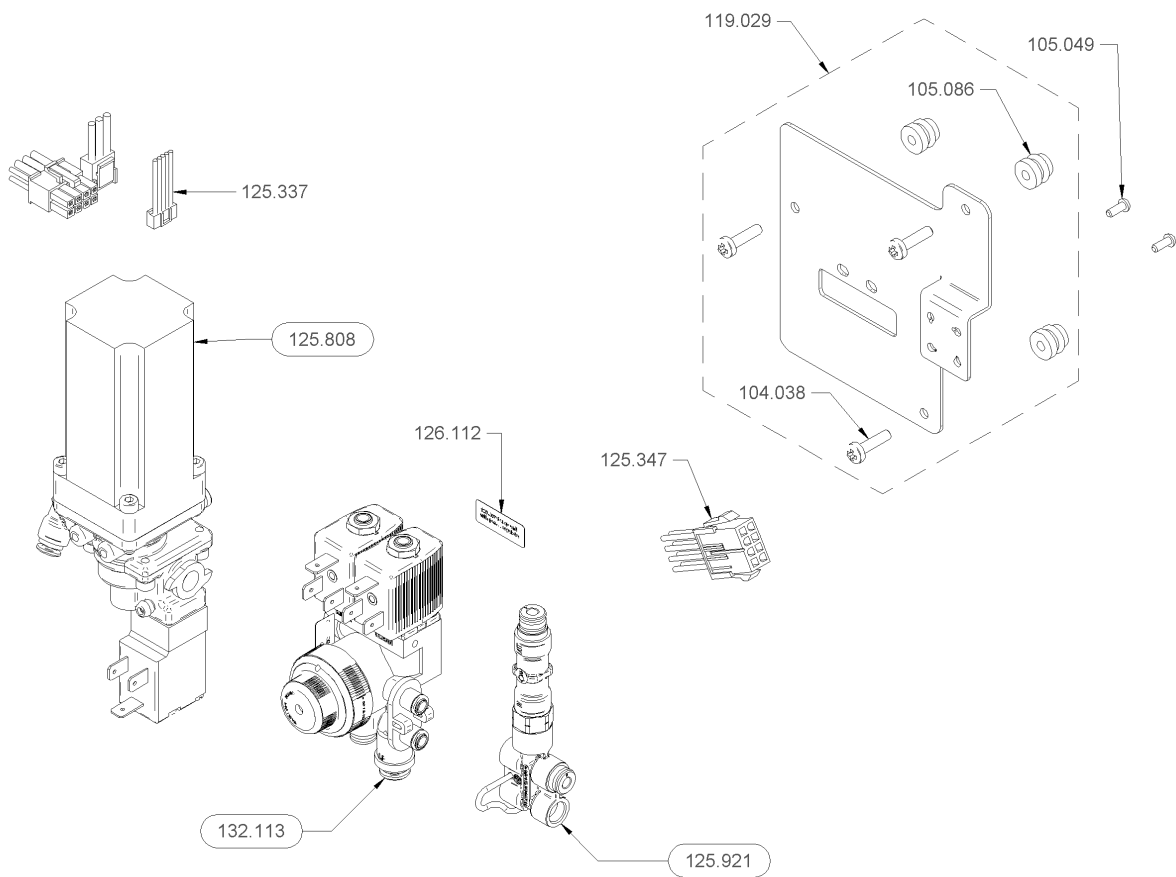
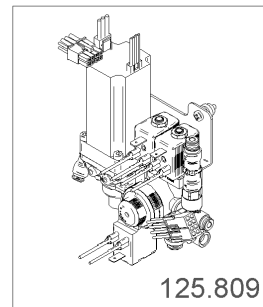
1.5.2.2 Middle support, assy. AG220



**1.5.2.2.1 Milk Pump assy.**

Article no.	Description	Quantity
104.038	Oval head screw Phillips M4x16	3.0
105.049	Oval head PT screw Phillips KA30x8	2.0
105.086	Rubber mounting bush M4	3.0
119.029	Support Pump, assy.	1.0
125.337	Wiring harness milk pump Halcon	1.0
125.347	Wiring harness milk valves Halcon	1.0
125.808	Milk Pump set	1.0
125.921	Connection RB to WP with T-con. assy.	1.0
126.112	Sticker P-unit Halcon with pressregulator	1.0
132.113	Cleaning block with pressreg. assy.	1.0

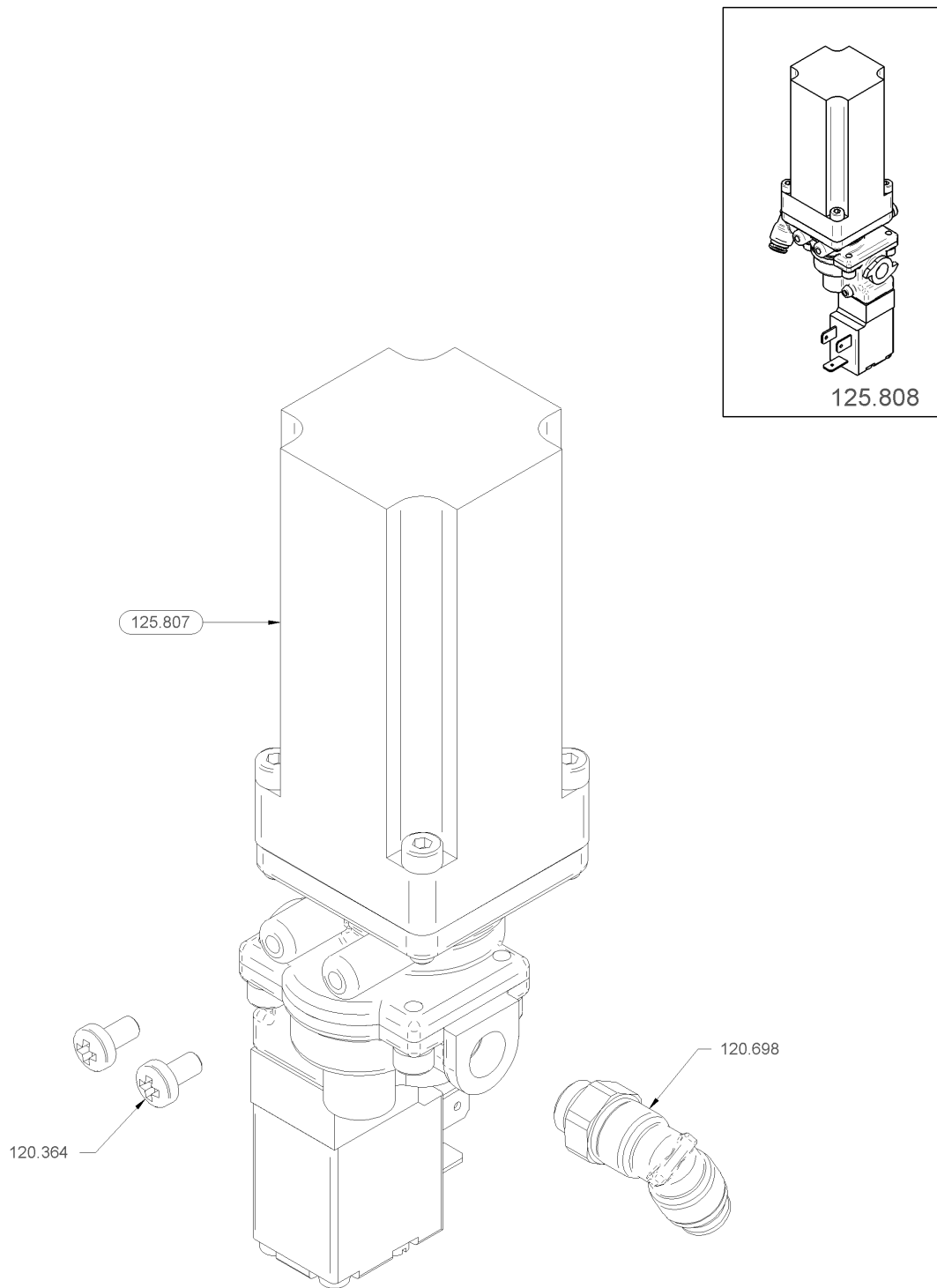
1.5.2.2.1 Milk Pump assy.



**1.5.2.2.1.1 Milk Pump set**

Article no.	Description	Quantity
120.364	Screw Phillips M4x8 Tuflok	2.0
120.698	Elbow connector 4-1/8	1.0
125.807	Milk Pump inox with motor assy.	1.0

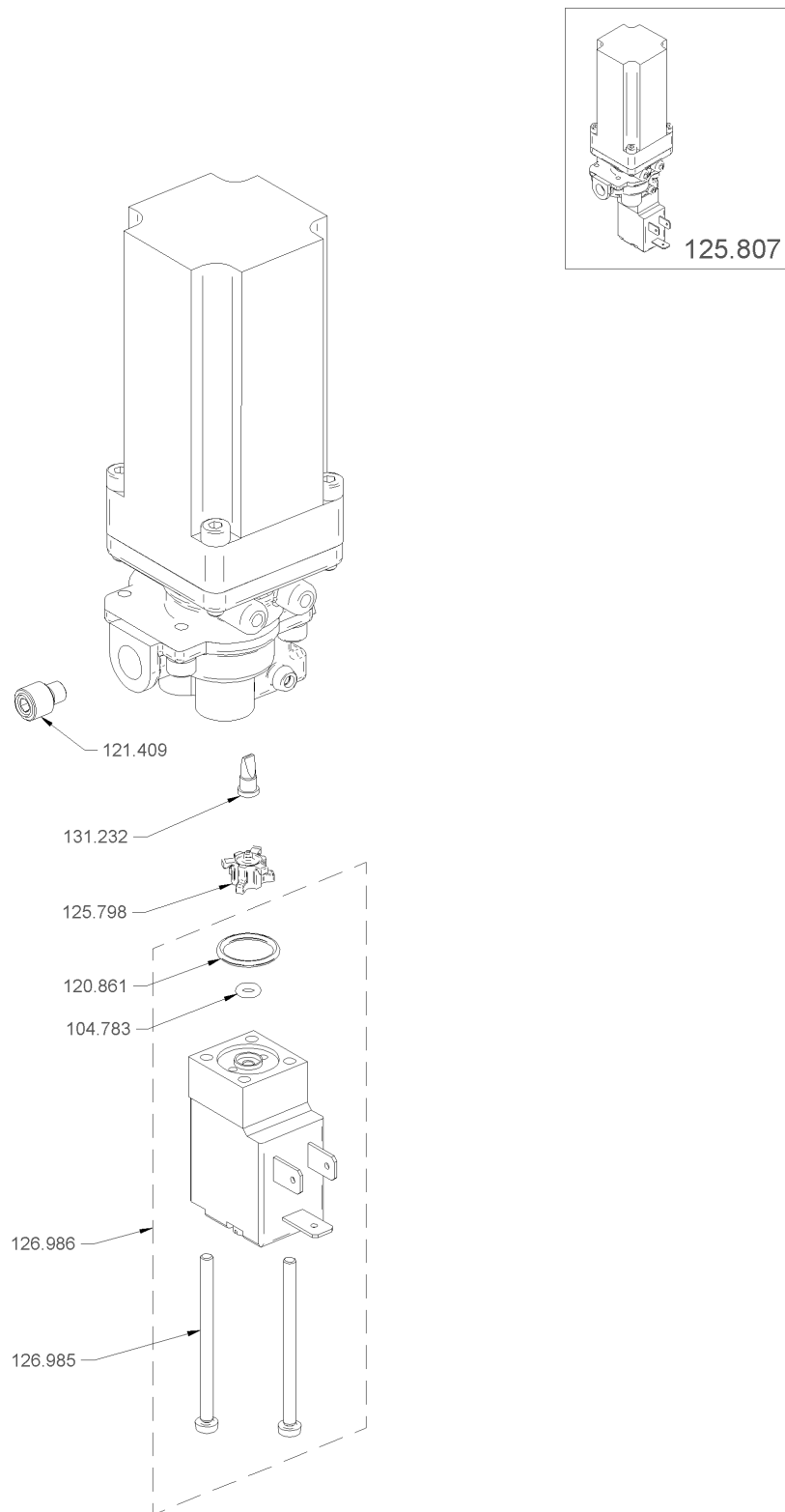
1.5.2.2.1.1 Milk Pump set



**1.5.2.2.1.1.1 Milk Pump inox with motor assy.**

Article no.	Description	Quantity
104.783	O-Ring 3.00x1.50 FKM	1.0
120.861	O-Ring 12.00x1.50 FKM	1.0
121.409	Nozzle to milk pump PEEK	1.0
125.798	Support duckbill	1.0
126.985	Socket head cap screw M3x45	2.0
126.986	2/2-proportional valve 0.8mm set	1.0
131.232	Check valve duckbill light blue	1.0

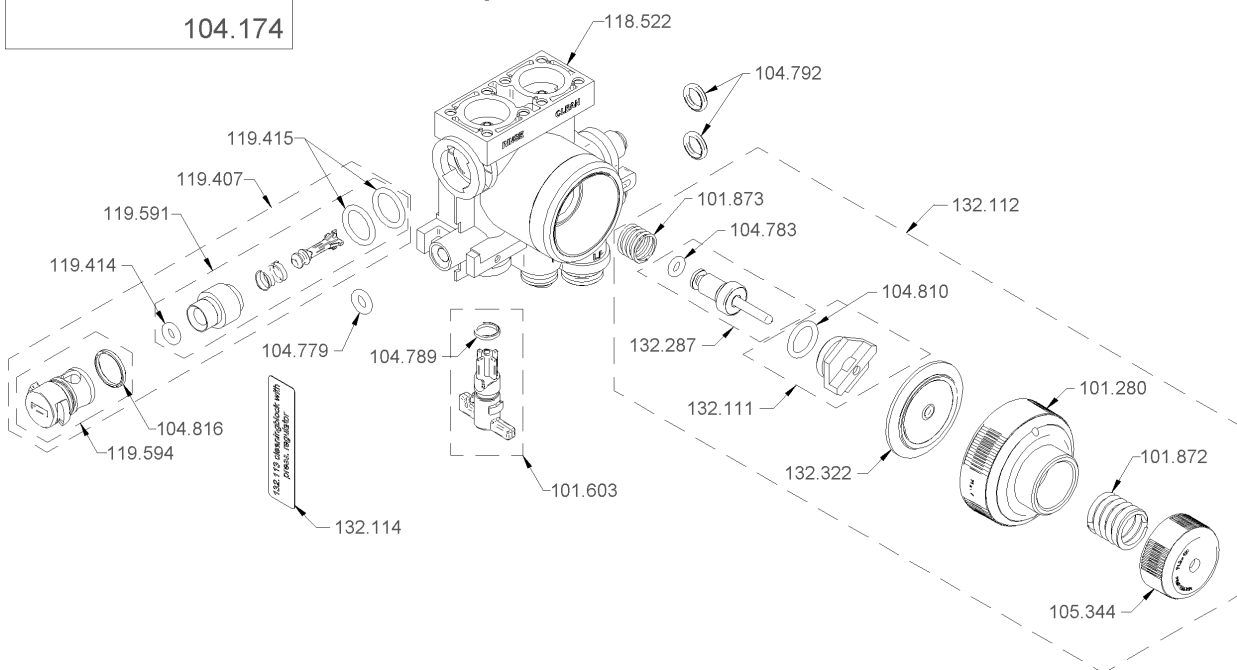
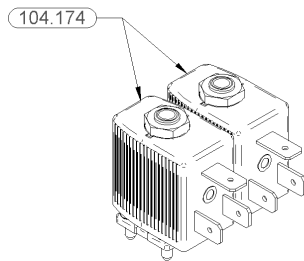
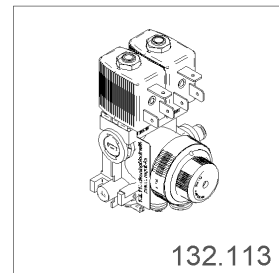
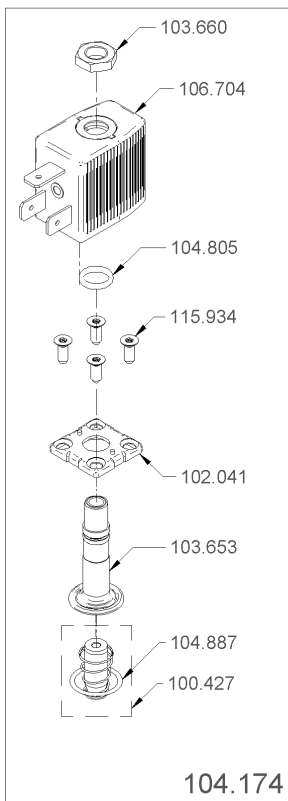
1.5.2.2.1.1.1 Milk Pump inox with motor assy.



**1.5.2.2.1.2 Cleaning block with pressreg. assy.**

Article no.	Description	Quantity
100.427	Set 2/2 valve plunger with gasket	1.0
101.280	Cover pressure regulator	1.0
101.603	Milk bloc flowmeter assy.	1.0
101.872	Upper spring pressure regulator	1.0
101.873	Lower spring pressure regulator	1.0
102.041	Flange for mini-valve	1.0
103.653	Plunger guide Mini-valve 2/2	1.0
103.660	Nut for mini-valve	1.0
104.174	2/2 solenoid valve, assy.	2.0
104.779	O-Ring 3.69x1.78 EPDM 75.5/KW75F	1.0
104.783	O-Ring 3.00x1.50 FKM	1.0
104.789	O-Ring 5.00x1.00 EPDM	1.0
104.792	O-Ring 5.00x1.50 FKM 75.5/VA75F	2.0
104.805	O-Ring 7.50x1.50 EPDM	1.0
104.810	O-Ring 8.00x1.50 VMQ 80.5/SIL80F	1.0
104.816	O-Ring 9.00x1.00 EPDM 75.5/KW75 F	1.0
104.887	O-Ring 13.00x1.30 EPDM	1.0
105.344	Screw plug M18x1.5	1.0
106.704	Coil for mini-valve	1.0
115.934	PT flat head screws Torx K30x08	4.0
118.522	Basis block milk module assy.	1.0
119.407	Milk check valve assy.	1.0
119.414	O-Ring 2.90x1.78 EPDM 291	1.0
119.415	O-Ring 8.00x1.50 EPDM 291	2.0
119.591	Milk check valve	1.0
119.594	Cover check valve milk, assy.	1.0
132.111	Water nozzle assy.	1.0
132.112	Pressure regulator, assy.	1.0
132.114	Sticker c-block with pressregulator	1.0
132.287	Valve pressure regulator, assy. Inox	1.0
132.322	Membrane ø28.5 pressure regulator Inox	1.0

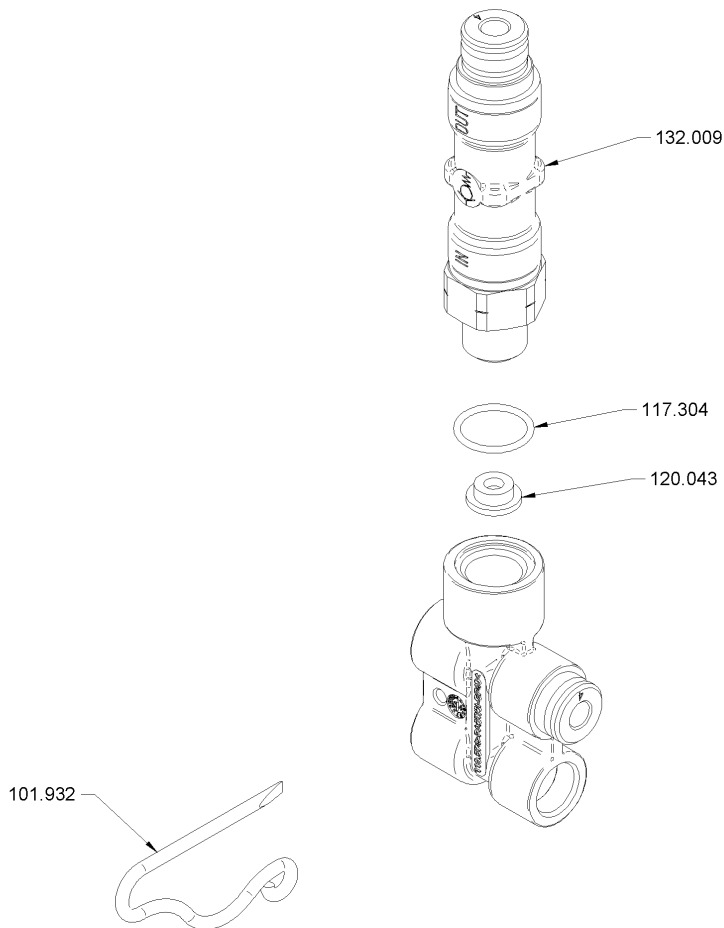
1.5.2.2.1.2 Cleaning block with pressreg. assy.



**1.5.2.2.1.3 Connection RB to WP with T-con. assy.**

Article no.	Description	Quantity
101.932	Spring clip pump	1.0
117.304	O-Ring 10.00x1.00 EPDM 291	1.0
120.043	Flow limitation nozzle $\varnothing$ 0.6	1.0
132.009	Check valve $\varnothing$ 4-1/8"	1.0

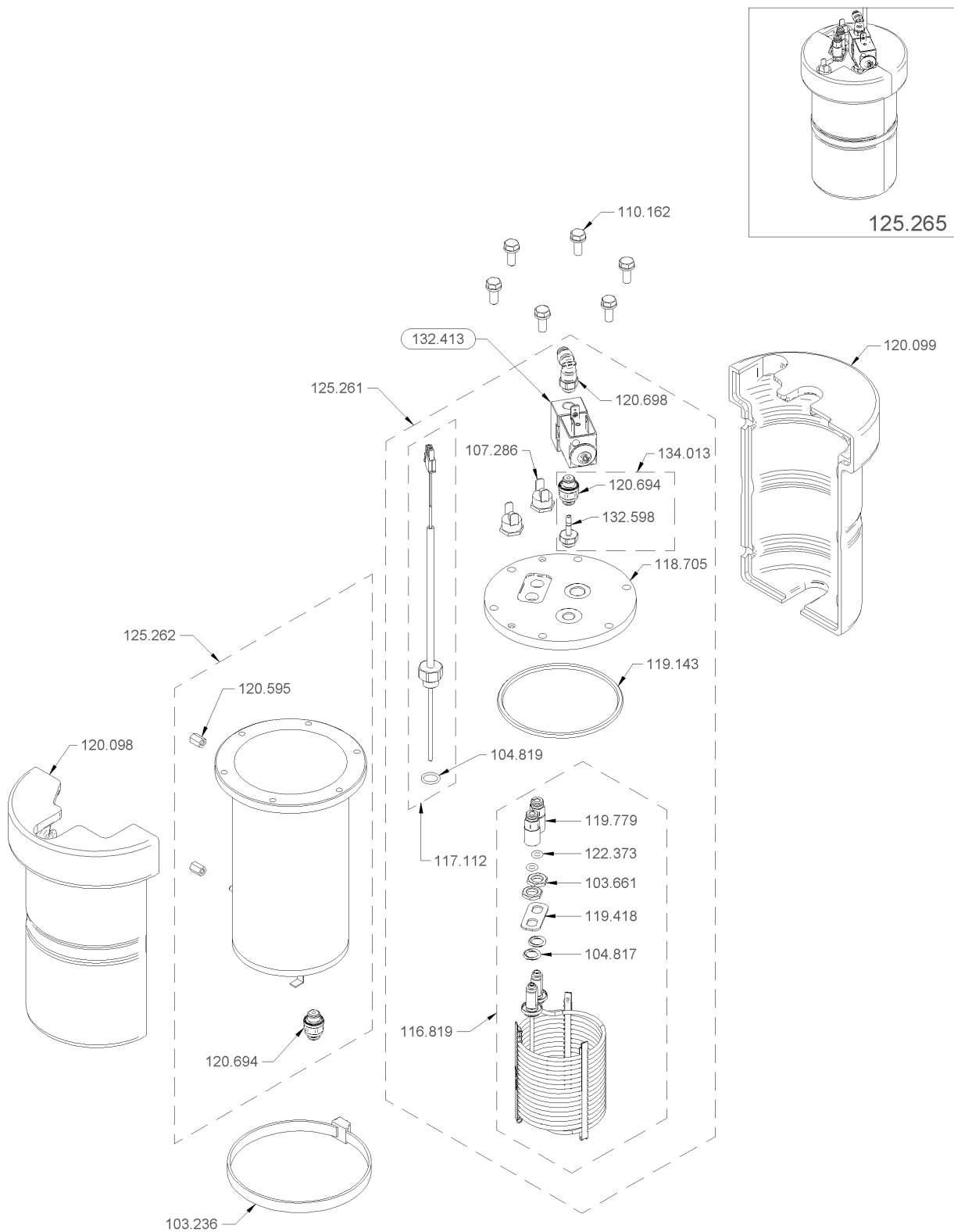
1.5.2.2.1.3 Connection RB to WP with T-con. assy.



**1.5.2.2.2 Milk Tea/Boiler, 230V assy.**

Article no.	Description	Quantity
103.236	Cable tie 530x8.9	1.0
103.661	Nut G1/8"	2.0
104.817	O-Ring 9.00x2.00 EPDM	2.0
104.819	O-Ring 10.82x1.78 VMQ	1.0
107.286	Thermal security 125°C HM	2.0
110.162	Hexagonal head screw combi M06x16	6.0
116.819	Milk heating coil BW2/BW3 assy.	1.0
117.112	NTC Sensor Boiler	1.0
118.705	Cover milk tea boiler	1.0
119.143	O-Ring 88.00x4.00 EPDM	1.0
119.418	Safety sheet	1.0
119.779	Coil connection assy.	2.0
120.098	Isolating milk tea boiler left	1.0
120.099	Isolating milk tea boiler right	1.0
120.595	Hexagonal spacer M4x10	2.0
120.694	Straight connector 4-1/8	1.0
120.694	Straight connector 4-1/8	1.0
120.694	Straight connector 4-1/8	1.0
120.698	Elbow connector 4-1/8	1.0
122.373	O-Ring 5.28x1.78 EPDM	2.0
125.261	Cover milk tea boiler, assy. Halcon	1.0
125.262	Housing to Milk/Tea Boiler 230V	1.0
132.413	Solenoid valve 2/2, ø1.1, small NFC	1.0
132.598	Straight screwed coupling 4-1/8	1.0
134.013	Straight connector set	1.0

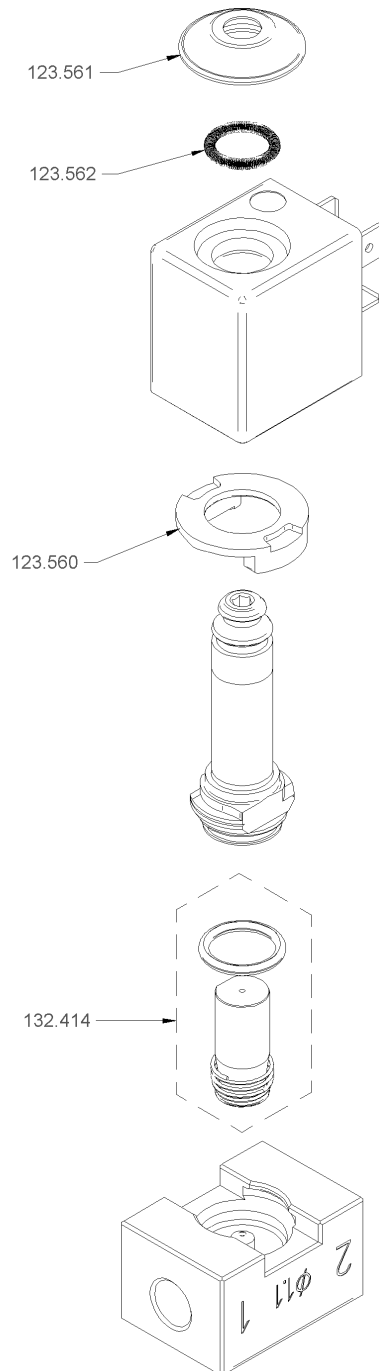
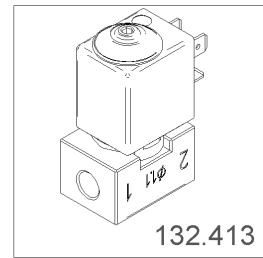
1.5.2.2.2 Milk Tea/Boiler, 230V assy.



**1.5.2.2.1 Solenoid valve 2/2, ø1.1, small NFC**

Article no.	Description	Quantity
123.560	Supporting ring	1.0
123.561	Protection cap	1.0
123.562	Spring to magnet valve	1.0
132.414	Plunger kit 2/2 NFC	1.0

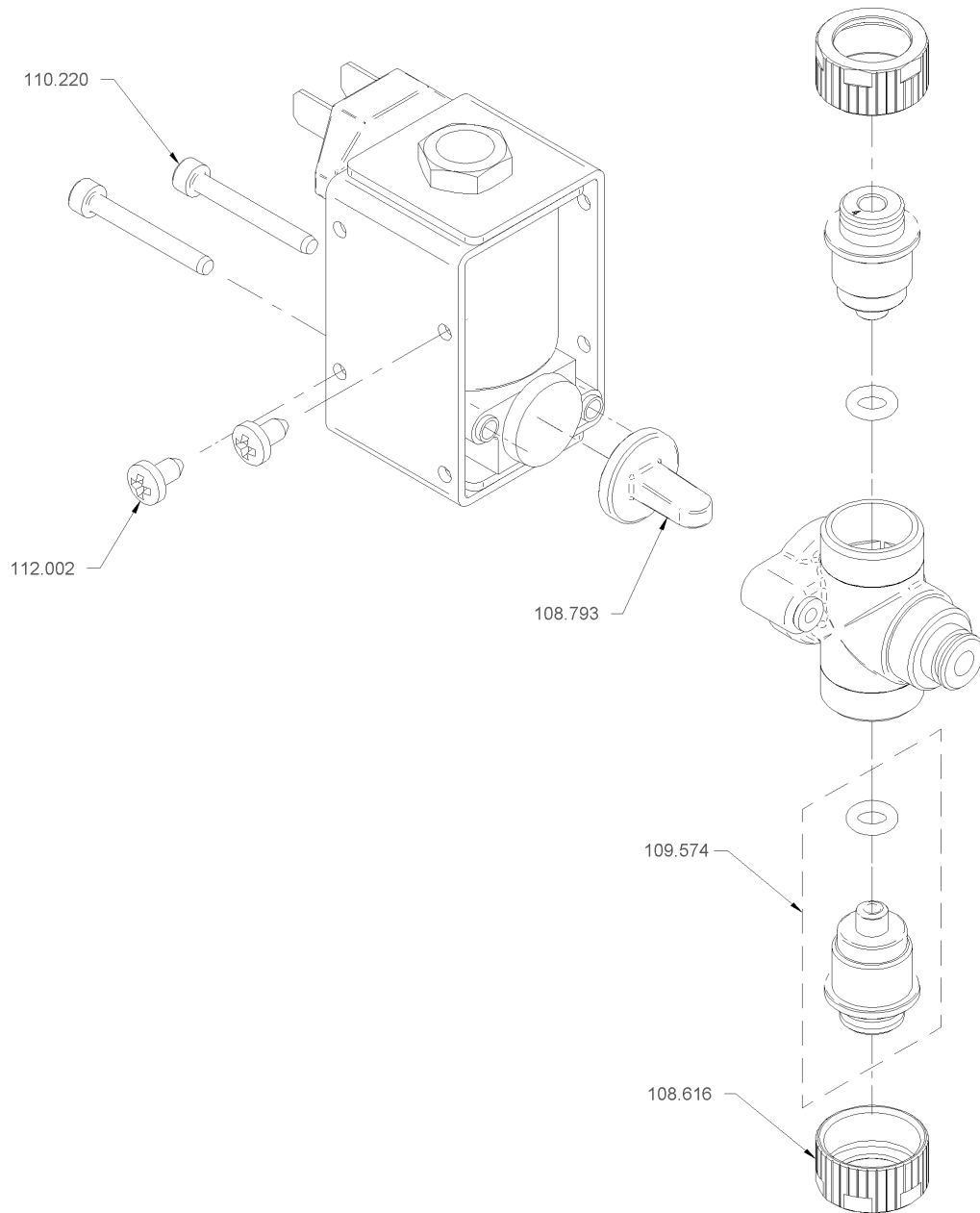
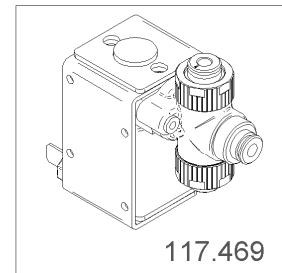
1.5.2.2.1 Solenoid valve 2/2,  $\phi 1.1$ , small NFC



**1.5.2.2.3 Diaphragm valve Hyd.Mod BW2v2/BW3**

Article no.	Description	Quantity
108.616	Grooved nut diaphragm valve	2.0
108.793	Diaphragma	1.0
109.574	Insert Valve Magma ø4 with O-ring	2.0
110.220	Socket head screw M3x25	2.0
112.002	Phillips sheet screw ST 3.5x6.5	2.0

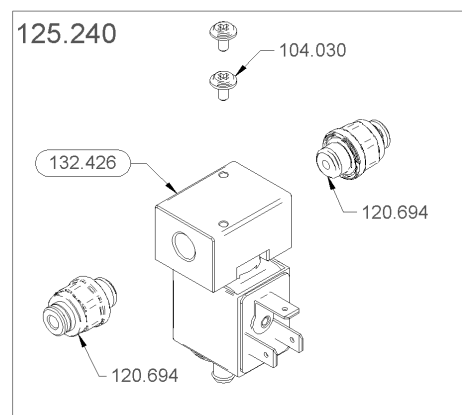
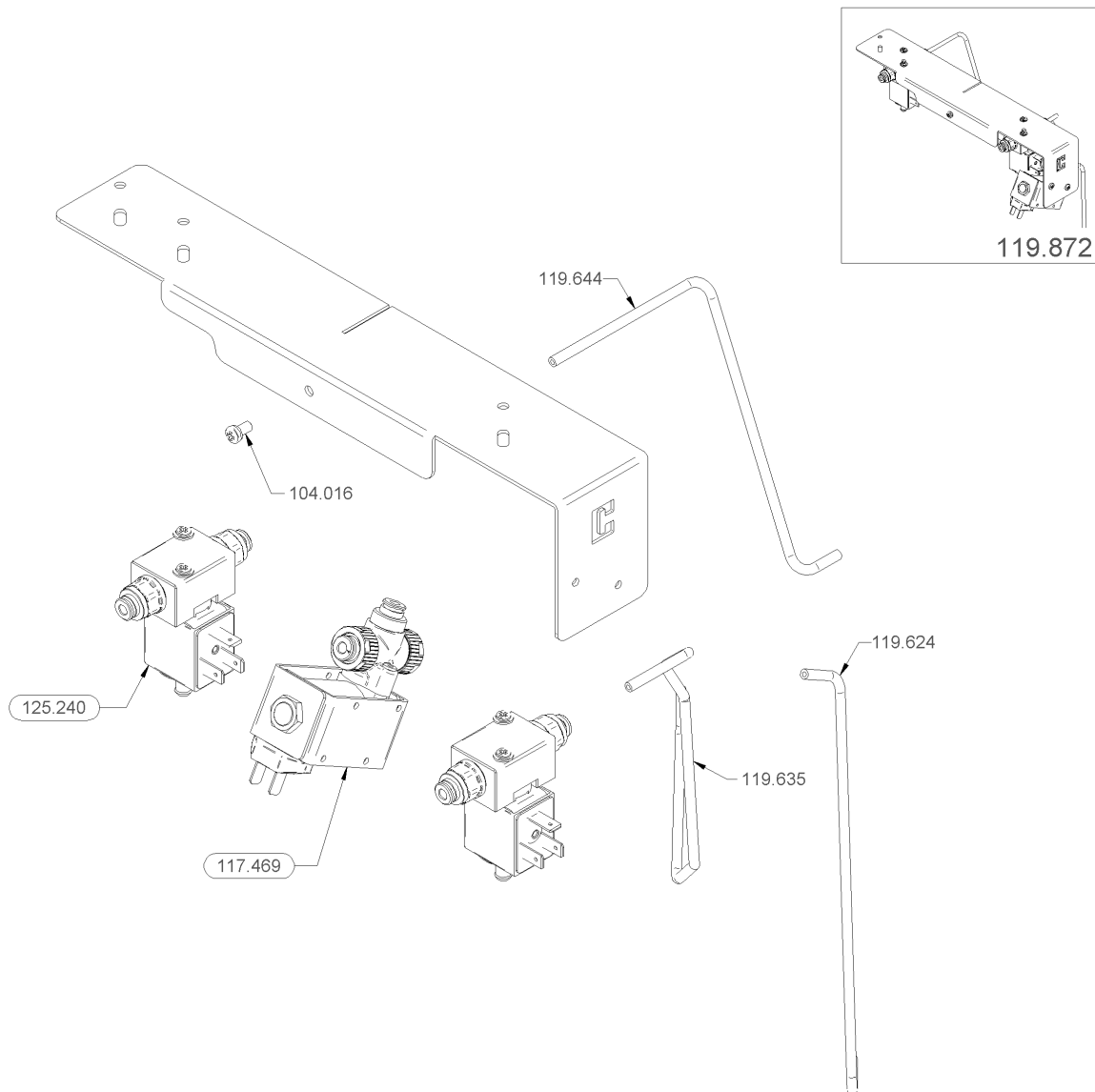
1.5.2.2.3 Diaphragm valve Hyd.Mod BW2v2/BW3



**1.5.2.3 Support valve assy.**

Article no.	Description	Quantity
104.016	Oval head Phillips combi screw M4x8	1.0
104.030	Oval pan head screw Phi. eco-fix M3x6	2.0
117.469	Diaphragm valve Hyd.Mod BW2v2/BW3	1.0
119.624	FEP pipe $\varnothing 4/2$ x 260mm	1.0
119.635	FEP pipe $\varnothing 4/2$ x 380mm	1.0
119.644	FEP pipe $\varnothing 4/2$ x 210mm	1.0
120.694	Straight connector 4-1/8	2.0
125.240	Solenoid valve 3/2, $\varnothing 1.1$ , set	2.0
132.426	Solenoid valve 3/2, $\varnothing 1.1$ , small NFC	1.0

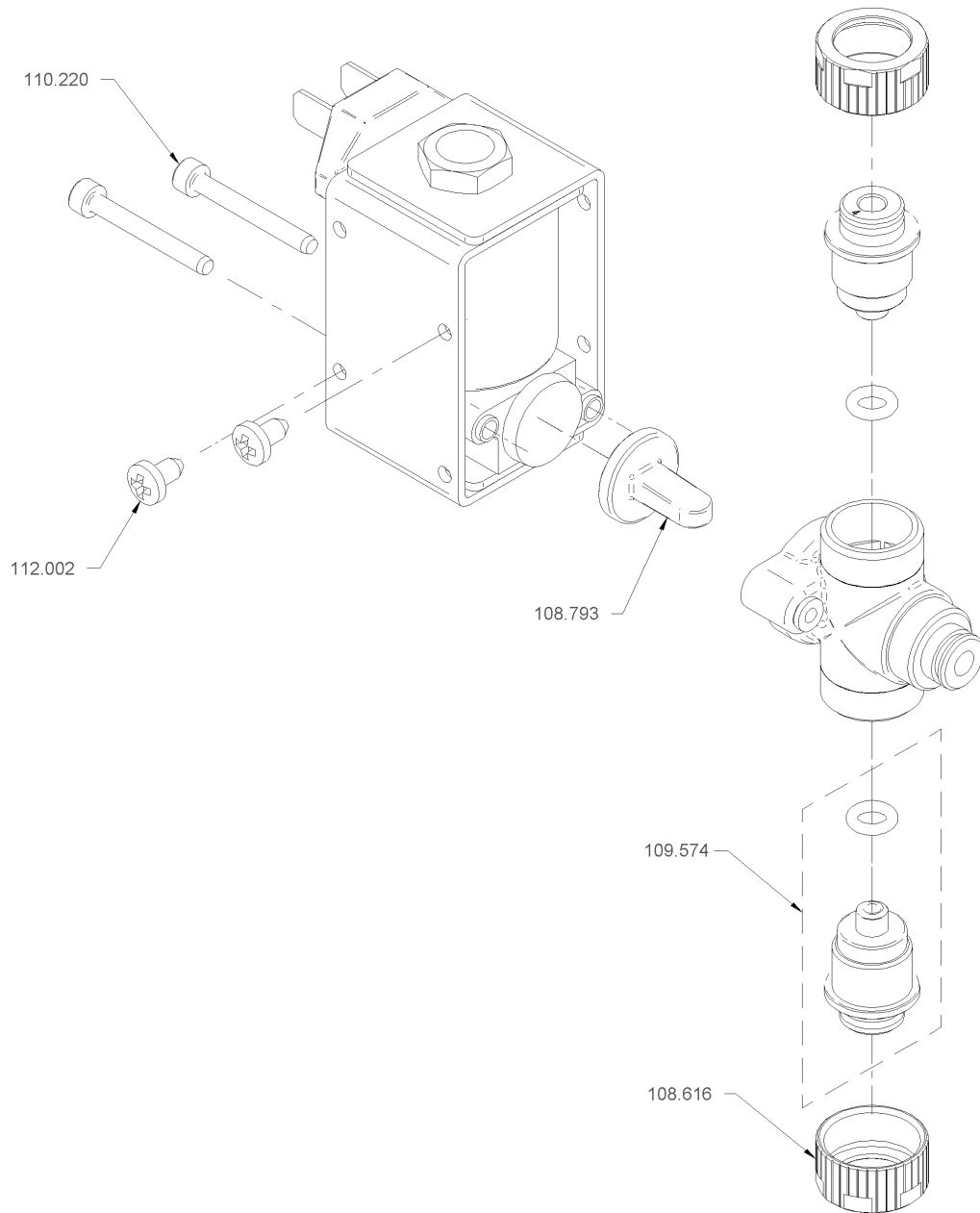
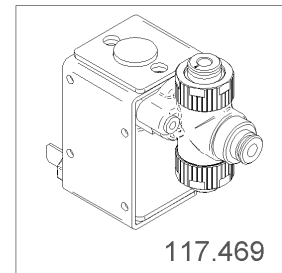
1.5.2.3 Support valve assy.



**1.5.2.3.1 Diaphragm valve Hyd.Mod BW2v2/BW3**

Article no.	Description	Quantity
108.616	Grooved nut diaphragm valve	2.0
108.793	Diaphragma	1.0
109.574	Insert Valve Magma ø4 with O-ring	2.0
110.220	Socket head screw M3x25	2.0
112.002	Phillips sheet screw ST 3.5x6.5	2.0

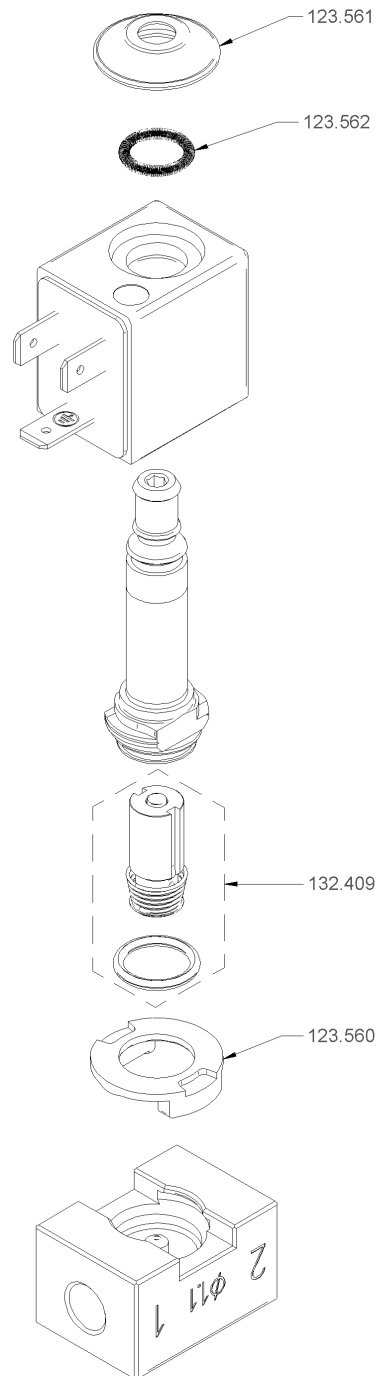
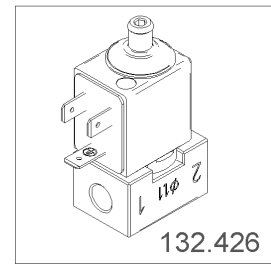
1.5.2.3.1 Diaphragm valve Hyd.Mod BW2v2/BW3



**1.5.2.3.2 Solenoid valve 3/2, ø1.1, small NFC**

Article no.	Description	Quantity
123.560	Supporting ring	1.0
123.561	Protection cap	1.0
123.562	Spring to magnet valve	1.0
132.409	Plunger kit 3/2 NFC	1.0

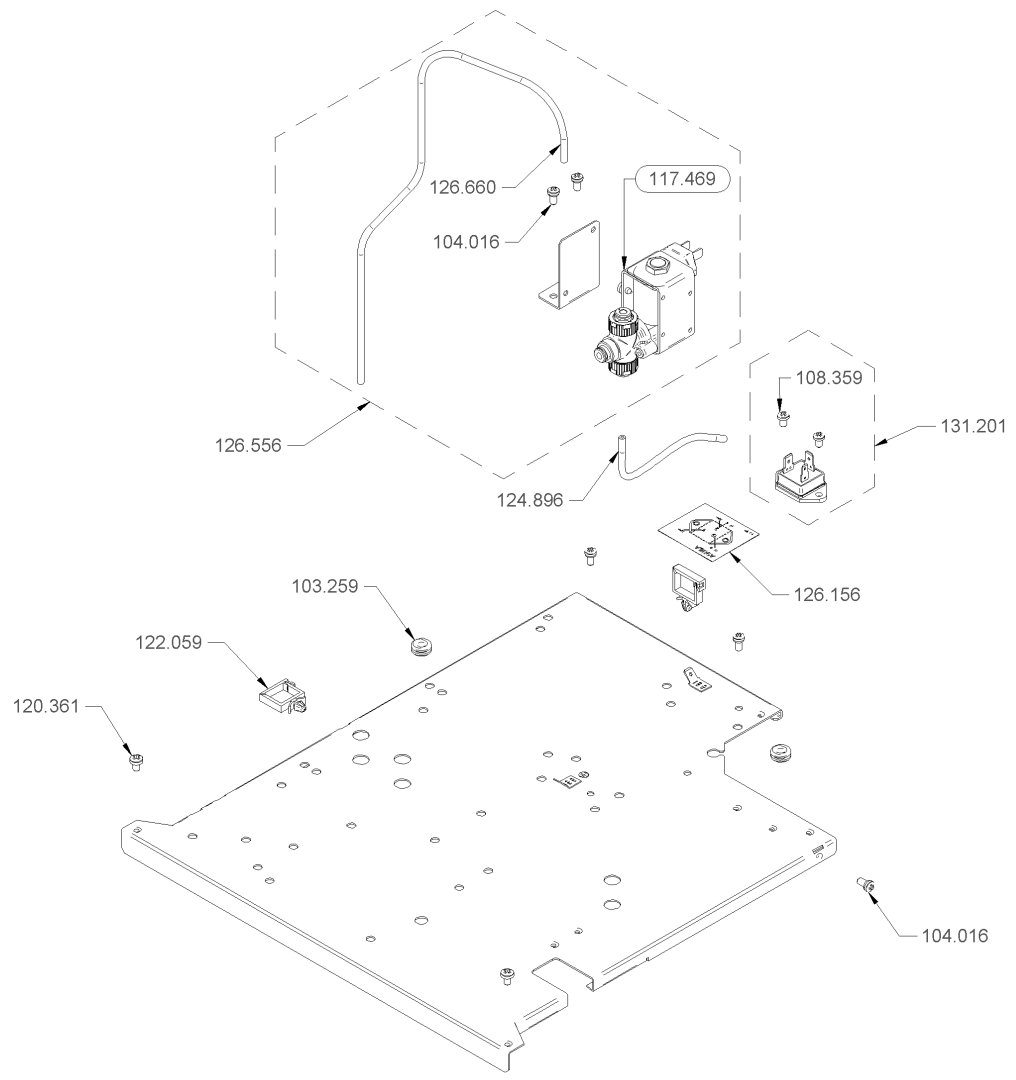
1.5.2.3.2 Solenoid valve 3/2,  $\phi 1.1$ , small NFC



**1.5.2.4 Top support assy. AG440**

Article no.	Description	Quantity
103.259	Cable bushing $\varnothing 11/8 \times 5.5$	2.0
104.016	Oval head Phillips combi screw M4x8	2.0
104.016	Oval head Phillips combi screw M4x8	3.0
108.359	Socket flat head screw M4x6	2.0
117.469	Diaphragm valve Hyd.Mod BW2v2/BW3	1.0
120.361	Oval head screw M4x6 Tuflok	2.0
122.059	Cable clip with anchor	2.0
124.896	FEP pipe $\varnothing 4/2 \times 130\text{mm}$	1.0
126.156	Sticker Triac "AG220, AG440"	1.0
126.556	Exhaust valve set	1.0
126.660	FEP pipe $\varnothing 4/2 \times 200\text{mm}$	1.0
131.201	Set Triac	1.0

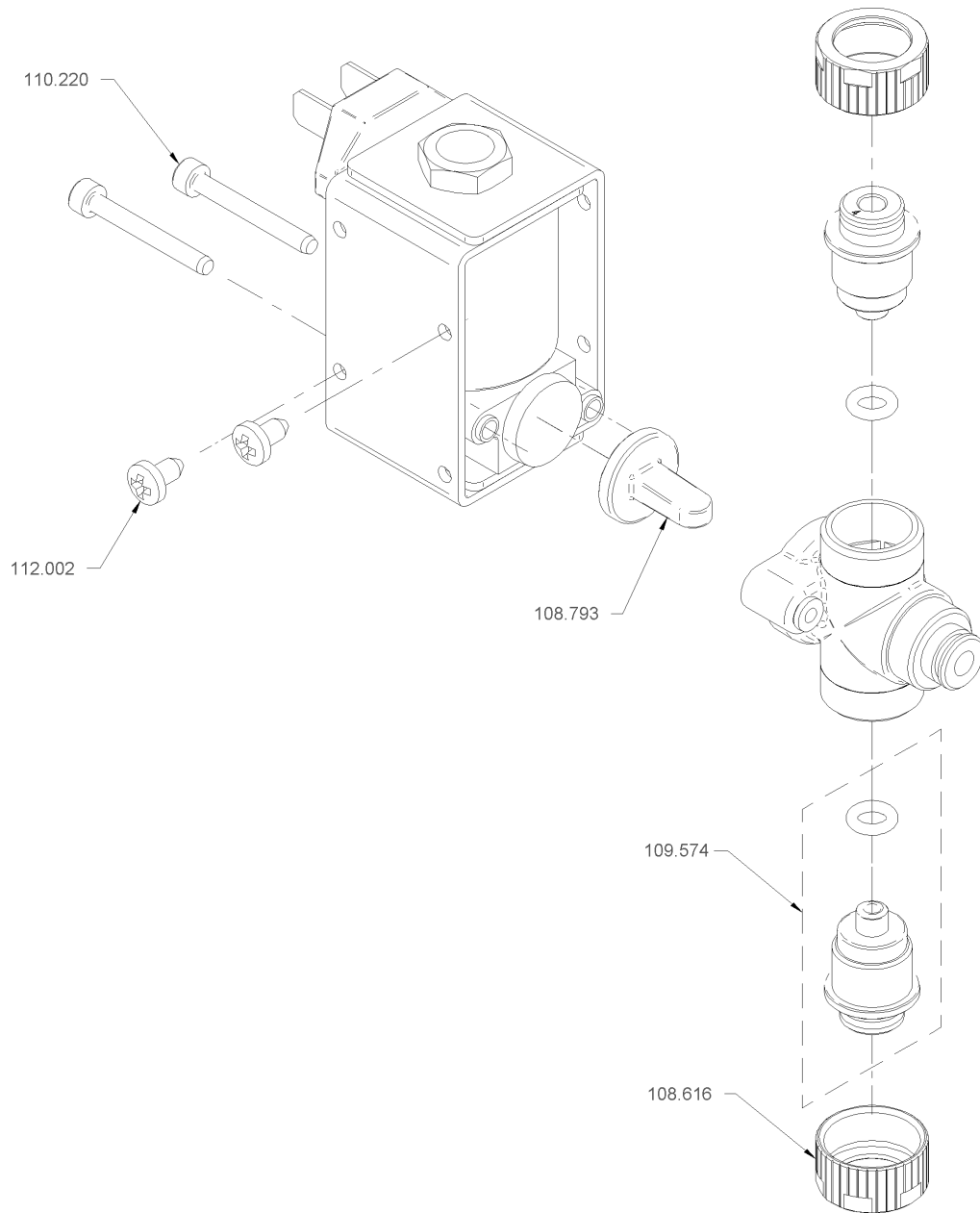
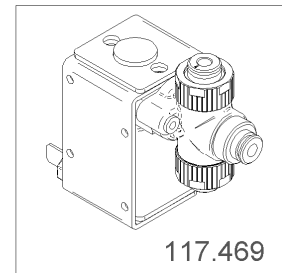
1.5.2.4 Top support assy. AG440



**1.5.2.4.1 Diaphragm valve Hyd.Mod BW2v2/BW3**

Article no.	Description	Quantity
108.616	Grooved nut diaphragm valve	2.0
108.793	Diaphragm	1.0
109.574	Insert Valve Magma ø4 with O-ring	2.0
110.220	Socket head screw M3x25	2.0
112.002	Phillips sheet screw ST 3.5x6.5	2.0

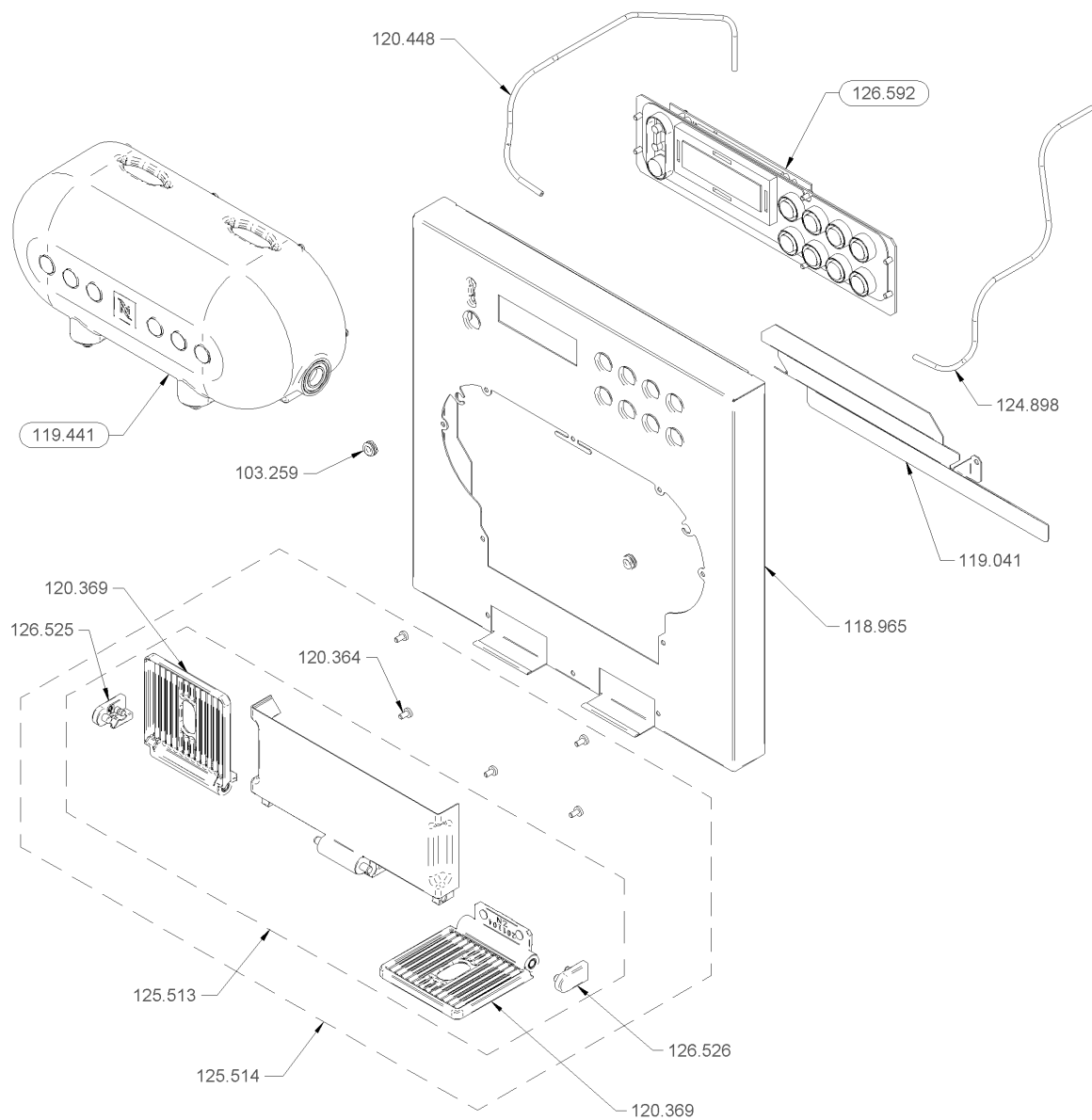
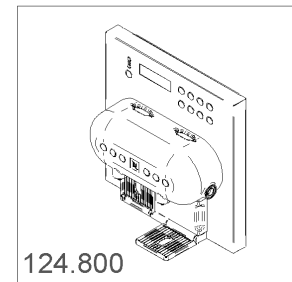
1.5.2.4.1 Diaphragm valve Hyd.Mod BW2v2/BW3



**1.5.2.5 Front assy. AG220**

Article no.	Description	Quantity
103.259	Cable bushing $\varnothing 11/8 \times 5.5$	2.0
118.965	Front sheet	1.0
119.041	Ejection sheet metal	1.0
119.441	Doublehead, assy.	1.0
120.364	Screw Phillips M4x8 Tuflok	5.0
120.369	Grid for cup support assy.	2.0
120.448	FEP pipe $\varnothing 4/2 \times 440\text{mm}$	1.0
124.898	FEP pipe $\varnothing 4/2 \times 290\text{mm}$	1.0
125.513	Cup support assy.	1.0
125.514	Cup support set	1.0
126.525	Fixation cup support left assy.	1.0
126.526	Fixation cup support right assy.	1.0
126.592	Keys with display, set	1.0

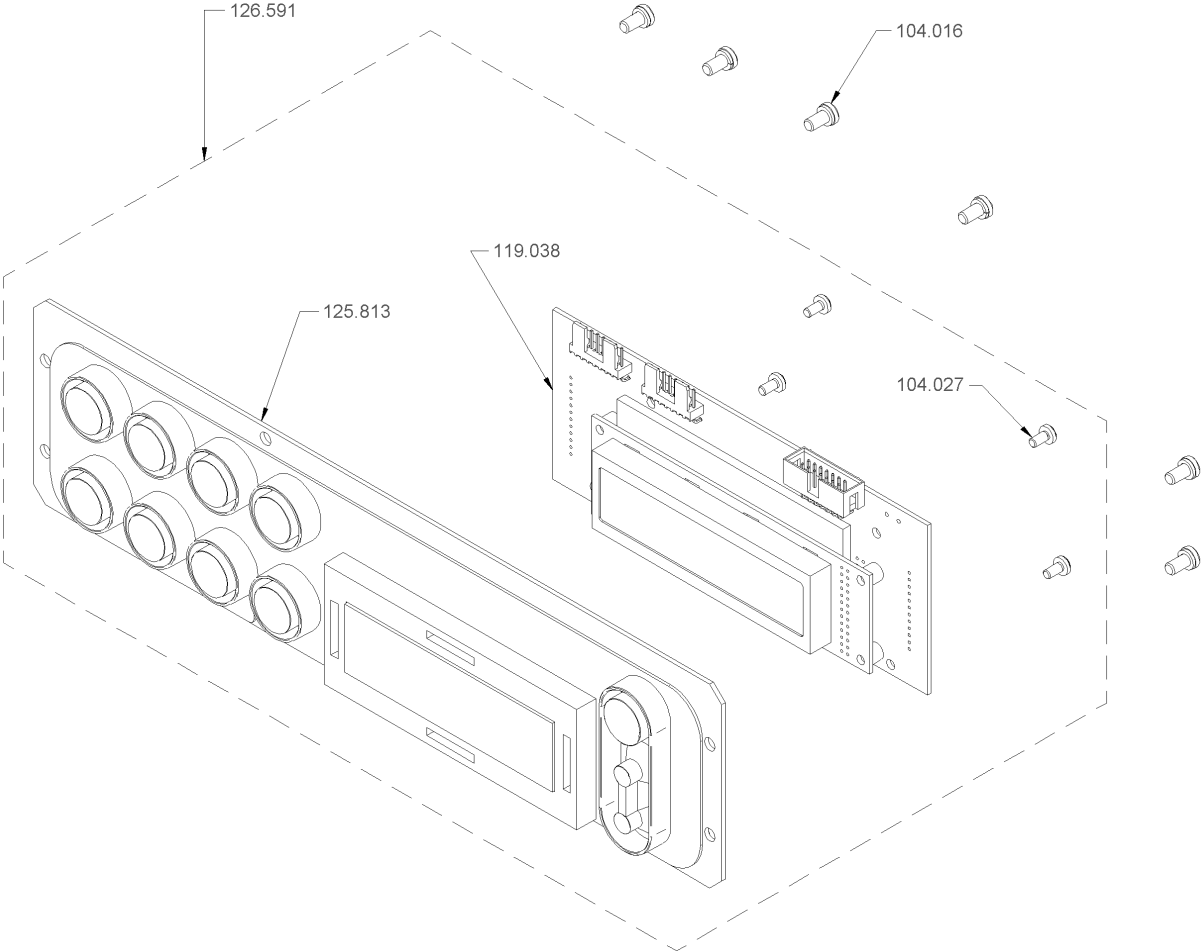
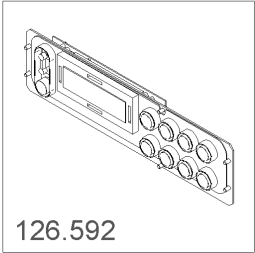
1.5.2.5 Front assy. AG220



**1.5.2.5.1 Keys with display, set**

Article no.	Description	Quantity
104.016	Oval head Phillips combi screw M4x8	6.0
104.027	Oval head screw Phillips M3x6	4.0
119.038	Displayprint EADI	1.0
125.813	Keyboard Tea-Milk AG220	1.0
126.591	Keys with display	1.0

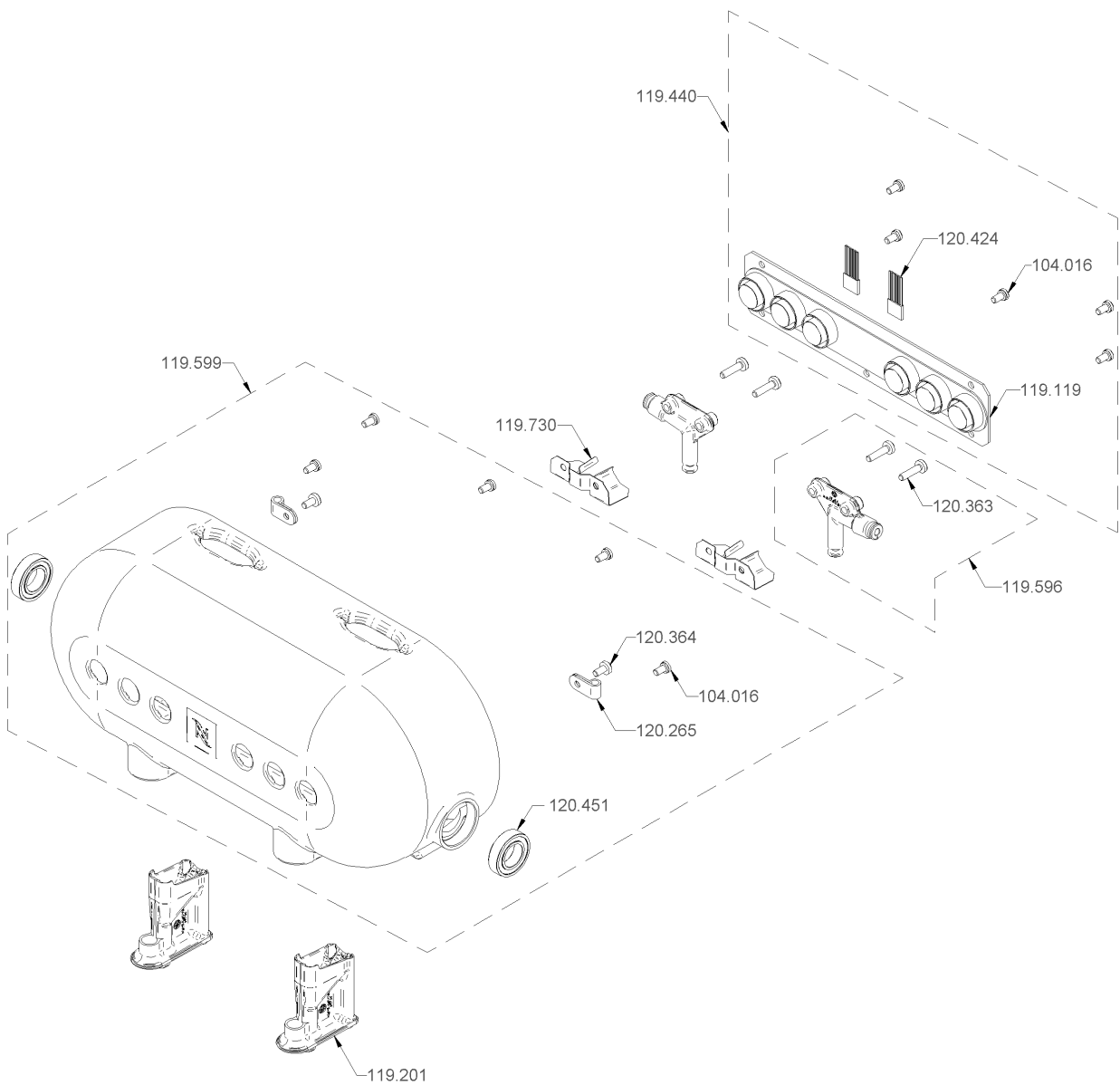
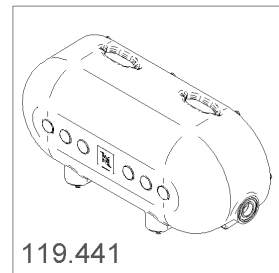
1.5.2.5.1 Keys with display, set



**1.5.2.5.2 Doublehead, assy.**

Article no.	Description	Quantity
104.016	Oval head Phillips combi screw M4x8	5.0
104.016	Oval head Phillips combi screw M4x8	5.0
119.119	Keyboard Coffee	1.0
119.201	Coffee outlet	2.0
119.440	Keyboard Coffee, assy.	1.0
119.596	Milk + Tea outlet set	2.0
119.599	Doublehead set	1.0
119.730	Spring clip outlet	2.0
120.265	Attachment-Clip 4.8	2.0
120.363	Screw phillips M4x16 Tuflok	2.0
120.364	Screw Phillips M4x8 Tuflok	2.0
120.424	Ribbon cable coffee keyboard	2.0
120.451	Ball bearing 61902	2.0

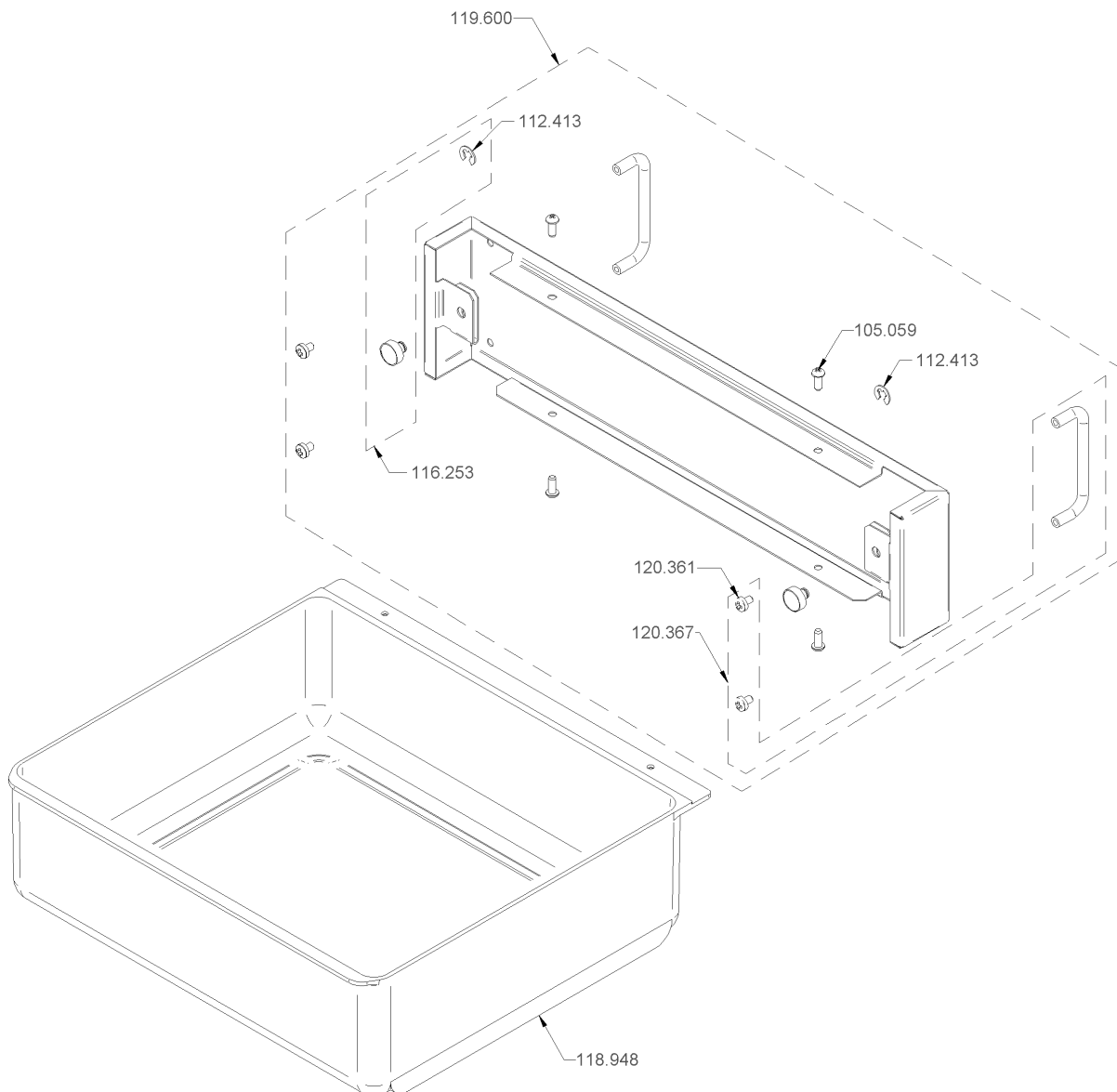
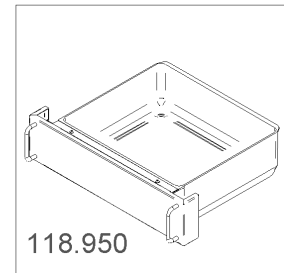
1.5.2.5.2 Doublehead, assy.



**1.6 Grounds drawer assy.**

Article no.	Description	Quantity
105.059	Oval head PT screw Phillips KA40x10	4.0
112.413	Lock washer ø5 for shaft	1.0
116.253	Magnet + clips steam handle	2.0
118.948	Grounds drawer	1.0
119.600	Front sheet grounds drawer set	1.0
120.361	Oval head screw M4x6 Tuflok	2.0
120.367	Holding clamp set Aguila	2.0

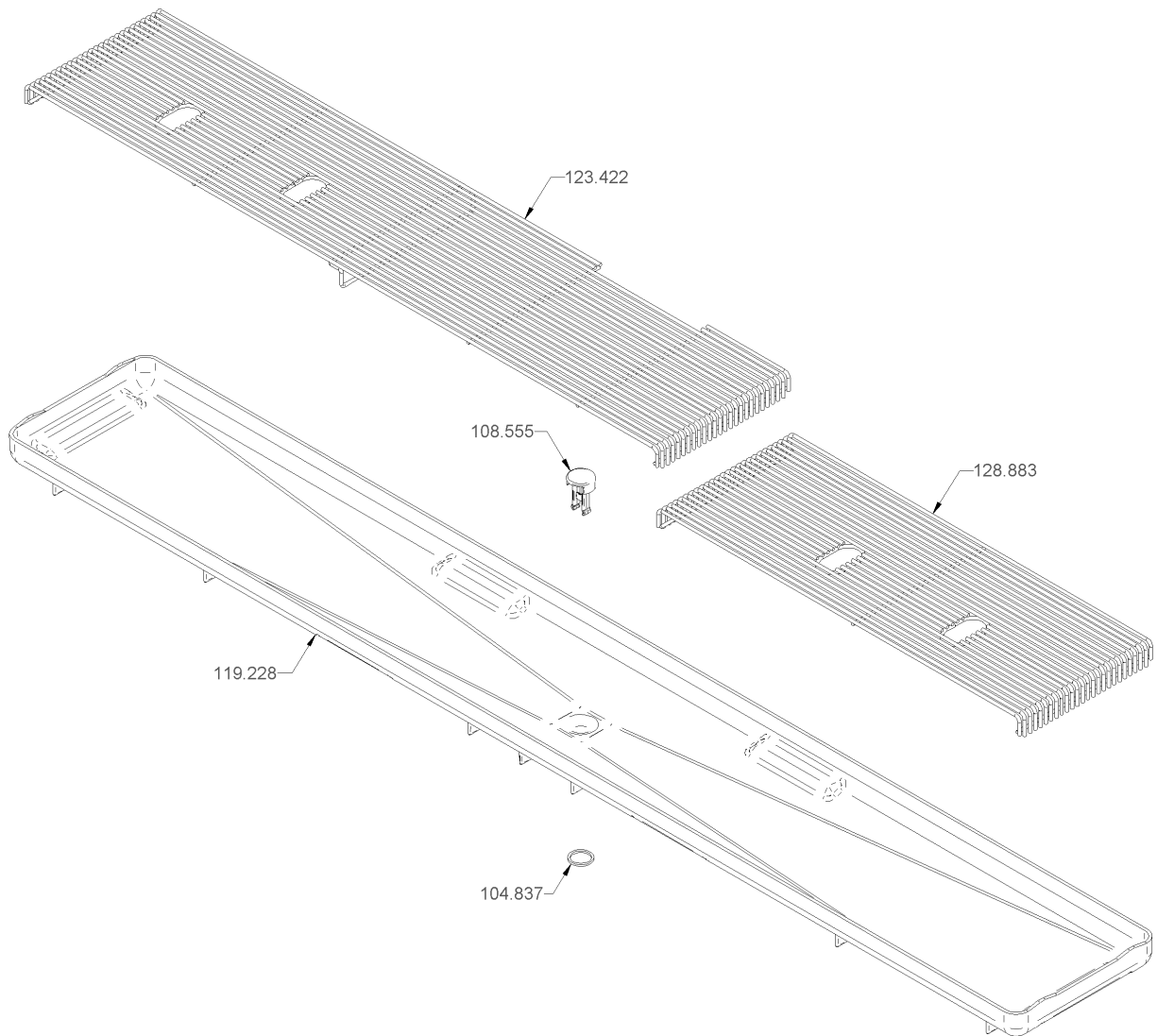
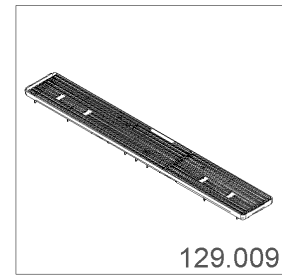
1.6 Grounds drawer assy.



**1.7 Drip tray assy.**

Article no.	Description	Quantity
104.837	O-Ring 14.00x1.78 FKM	1.0
108.555	Cap drip tray	1.0
119.228	Drip tray insert	1.0
123.422	Drip tray grill AG220	1.0
128.883	Drip tray grill AG440	1.0

1.7 Drip tray assy.

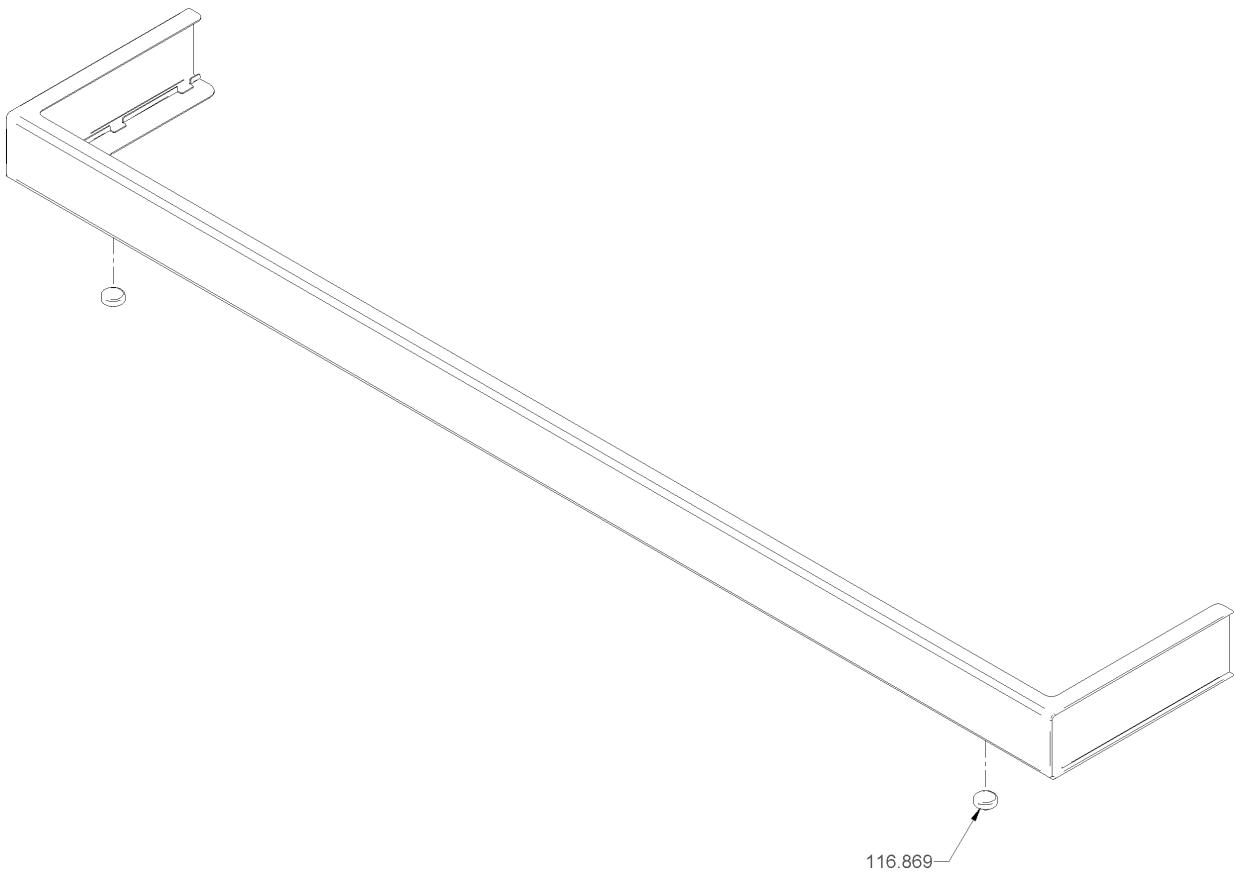
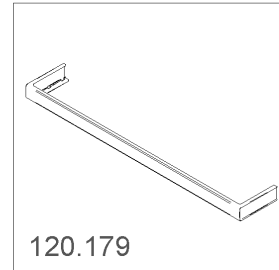


---

**1.8 Frame front set drip tray**

Article no.	Description	Quantity
116.869	Puffer button ø16x1(8)	2.0

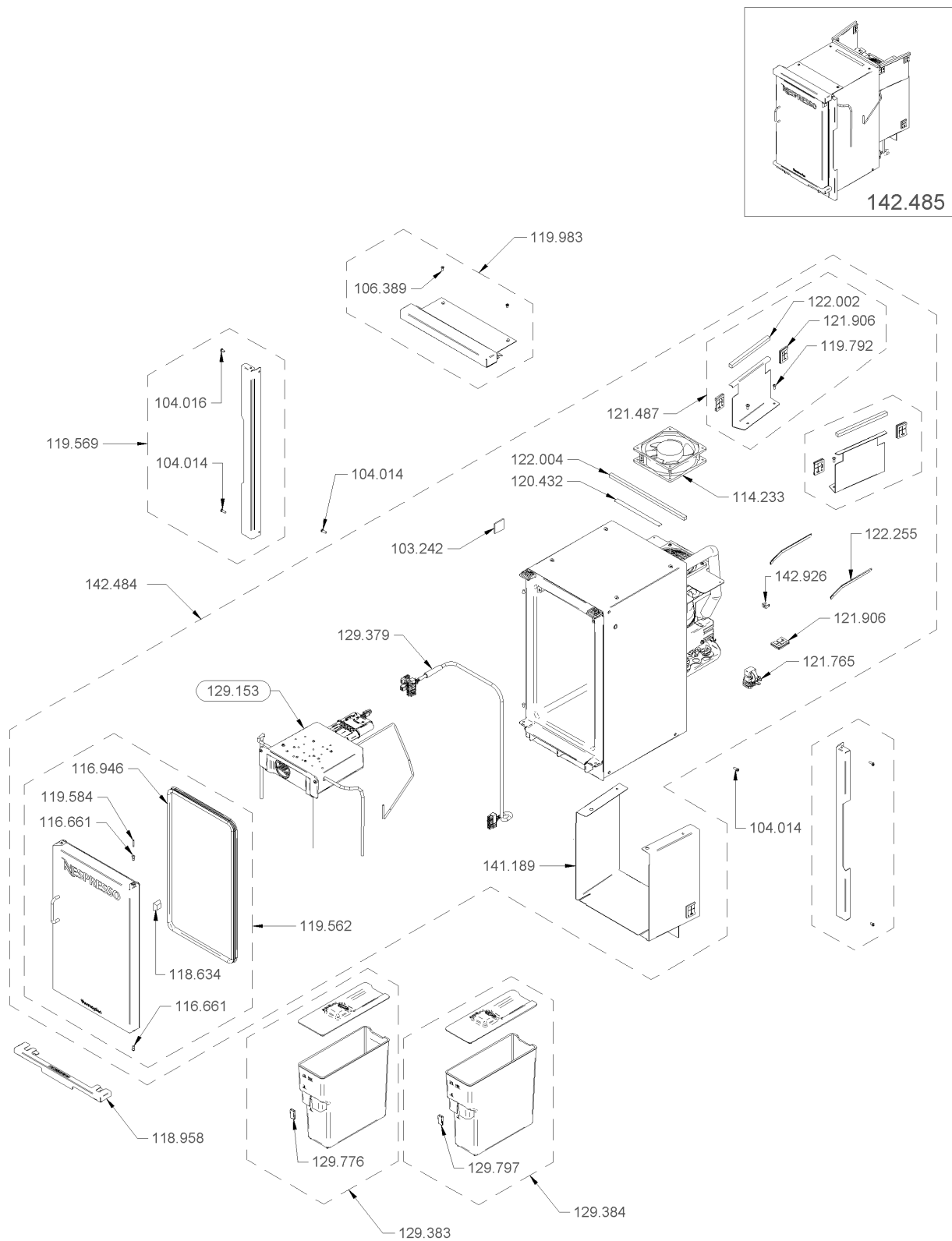
1.8 Frame front set drip tray



**1.9 Refrigerator set 115V AG440**

Article no.	Description	Quantity
103.242	Tie-wrap socle selfadhesive 28x28mm	1.0
104.014	Oval head Phillips combi screw M4x12	1.0
104.014	Oval head Phillips combi screw M4x12	2.0
104.016	Oval head Phillips combi screw M4x8	1.0
106.389	Countersunk screw Phillips M4x8	2.0
114.233	Axial fan 115V/60Hz 120x120x38	1.0
116.661	Door nail Refrigerator	2.0
116.946	Door seal refrigerator	1.0
118.634	Rubber buffer black	1.0
118.958	Facing panel bottom Refrigerator	1.0
119.562	Door assy v2 set Refrigerator	1.0
119.569	Facing panel le+ri set Refrigerator	2.0
119.584	Socket headless srew M03x18	1.0
119.792	Sheet screw Phillips 3.9x9.5	2.0
119.983	Facing panel top set Refrigerator	1.0
120.432	Label "Lock out all sources"	1.0
121.487	Air deflector RF assy.	2.0
121.765	Starting device set for LG compressor 115V	1.0
121.906	Cable grommet	1.0
121.906	Cable grommet	2.0
122.002	Sponge rubber 9x8x143mm	1.0
122.004	Sponge rubber 9x8x244mm	1.0
122.255	Edge protection profile Refriger. L=126mm	2.0
129.153	RF-Box assy., 2 milk, 2 level, NTC	1.0
129.379	Cable connection RF-Box-CPU 16p 2milk	1.0
129.383	Milk container 2.5l assy. purple / left	1.0
129.384	Milk container 2.5l assy. yellow / right	1.0
129.776	Marking plug purple	1.0
129.797	Marking plug yellow	1.0
141.189	Air deflector with Cable routing AG440	1.0
142.484	Cooling assembly before 115V AG440	1.0
142.926	Grounding cable 680mm	1.0

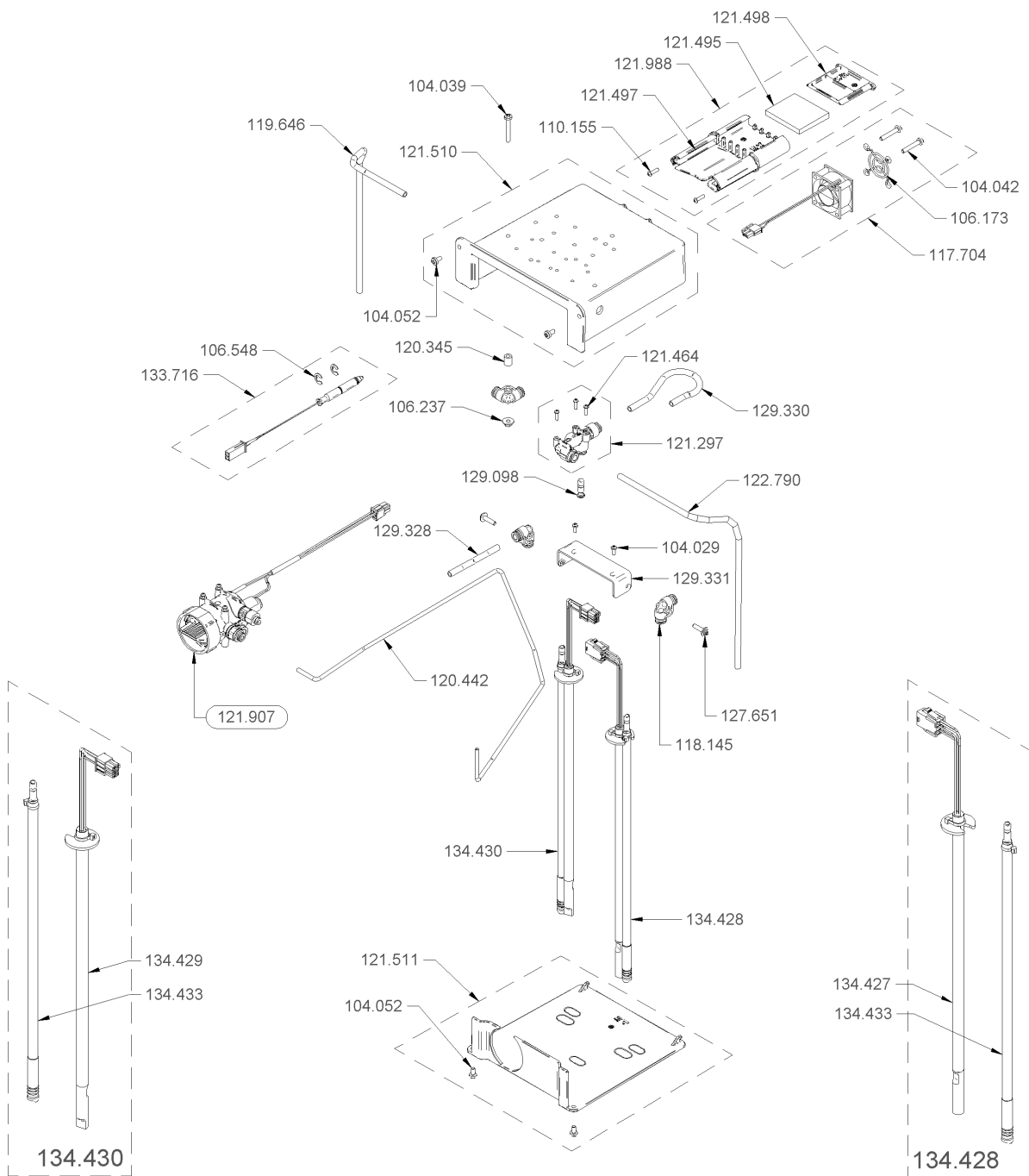
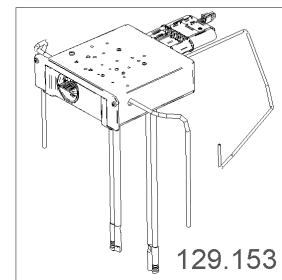
1.9 Refrigerator set 115V AG440



**1.9.1 RF-Box assy., 2 milk, 2 level, NTC**

Article no.	Description	Quantity
104.029	Oval head screw Phillips M3x8	2.0
104.039	Oval head screw Phillips M4x30	1.0
104.042	Oval head screw Phillips M4x25	2.0
104.052	Phillips screw M4x8 Eco-fix	2.0
104.052	Phillips screw M4x8 Eco-fix	2.0
106.173	Grid	1.0
106.237	Hexagonal nut M4 kombi	1.0
106.548	Circlip for shaft ø6	2.0
110.155	PT screw KA30x12 phillips	2.0
117.704	Axial-fan 24VDC set refrigerator	1.0
118.145	Angle plug connection 6-6 PVDF	3.0
119.646	FEP pipe ø6/4 x 300mm	1.0
120.345	Distance spacer 4.2/8x10	1.0
120.442	FEP pipe ø4/2 x 1000mm	1.0
121.297	Connector (4-circuit conn.) set RF-Box	1.0
121.464	PT screw KA30x10 philips	3.0
121.495	Seal plate (Cable guiding RF-Box)	1.0
121.497	Cable guidance	1.0
121.498	Cabel guidance (cover)	1.0
121.510	Valve support box set	1.0
121.511	Valve support box cover set	1.0
121.907	Cleaning System v3 Milkway assy. Aguila	1.0
121.988	Cable guidance set RF-Box	1.0
122.790	FEP pipe ø6/4 x 330mm	1.0
127.651	Oval-head screw M4x16 Phillips	2.0
129.098	Cap ø6mm	1.0
129.328	FEP pipe ø6/4 x 65mm	1.0
129.330	FEP pipe ø6/4 x 160mm	1.0
129.331	Strain relief sheet metal	1.0
133.716	NTC 4.0 refrigerator-air assy.	1.0
134.427	2level / temp sensor assy. yellow	1.0
134.428	Milk suction, 2level/temp sensor set yellow	1.0
134.429	2level / temp sensor assy. violet	1.0
134.430	Milk suction, 2level/temp sensor set violet	1.0
134.433	Milk suction hose assy. AG440	1.0

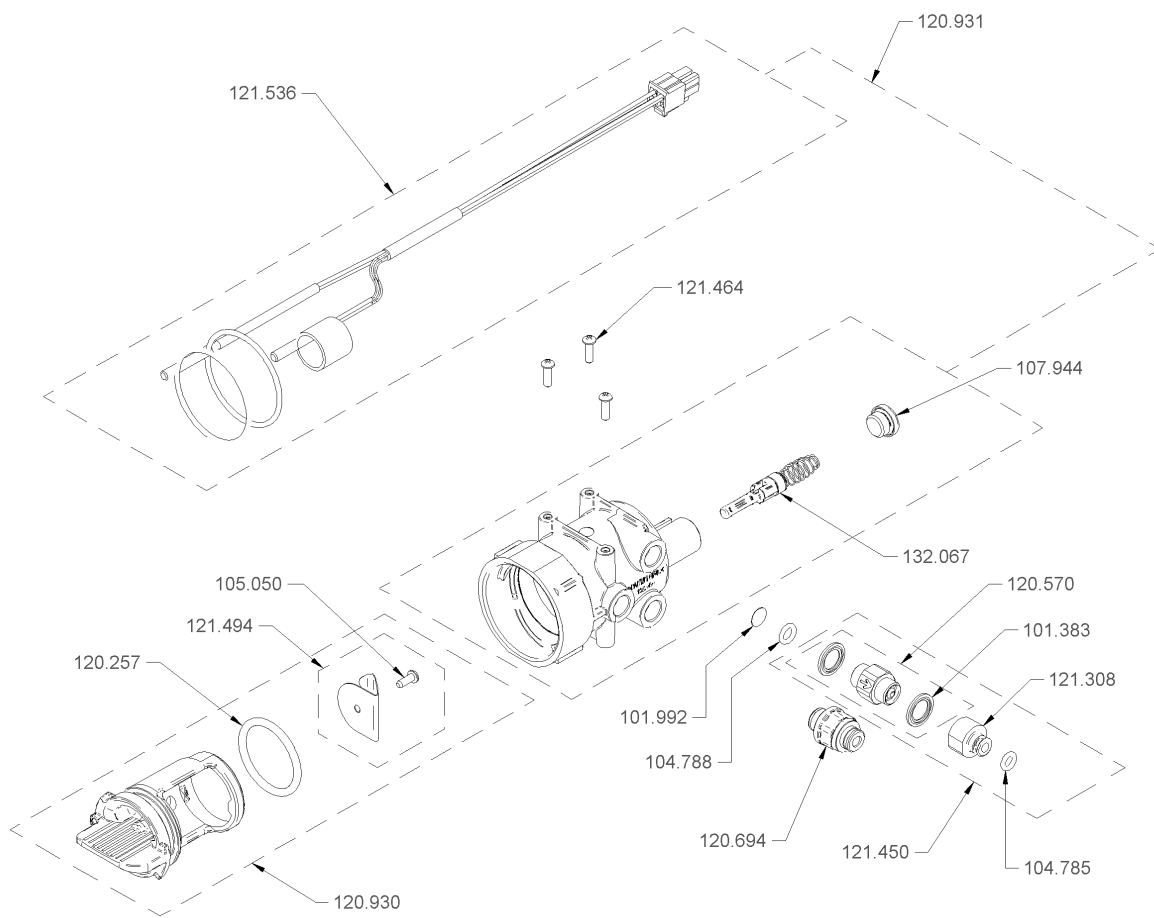
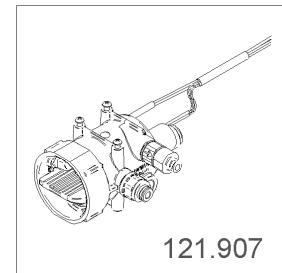
1.9.1 RF-Box assy., 2 milk, 2 level, NTC



**1.9.1.1 Cleaning System v3 Milkway assy. Aguila**

Article no.	Description	Quantity
101.383	Seal 1/8"	2.0
101.992	Mesh for Water ø8.5mm	1.0
104.785	O-Ring 4.48x1.78 EPDM	1.0
104.788	O-Ring 5.28x1.78 EPDM	1.0
105.050	Oval head PT screw Phi. KA30x8	1.0
107.944	Hexagon socket screw plug G1/8"	1.0
120.257	O-Ring 27.5x3.00 EPDM	1.0
120.570	Pressure control valve 0.2bar assy.	1.0
120.694	Straight connector 4-1/8	1.0
120.930	Cleaning Key milkway assy.	1.0
120.931	Cleaning lock milkway set	1.0
121.308	Hydraulic plug ø8/4-G1/8" female thread	1.0
121.450	Chack valve assy. (Cleaning key)	1.0
121.464	PT screw KA30x10 philips	3.0
121.494	Diaphragm valve 2/2, ø2.0, small, assy.	1.0
121.536	Reed switch for cleaning lock milkway	1.0
132.067	Piston cleaning tab detection blue assy.	1.0

1.9.1.1 Cleaning System v3 Milkway assy. Aguila



**1.10 Transformer 208V-->115V 200VA set**

Article no.	Description	Quantity
118.151	Fuse T4A H250V 5x20mm	1.0
120.573	Transformer 208V-> 115V 200VA kpl.	1.0
121.574	Fuse holder FUL 4A assy.	1.0
122.989	Trafohousing Aguila	1.0
127.893	Hexagon head cup screw M8x100	1.0

1.10 Transformer 208V-->115V 200VA set

