



Illustrated Parts Breakdown



Specifications:

Model P8M

Voltage	115VAC, ±10%, 1 PH, 60 Hz
Size	26" H, 17" W, 14" D
Shipping Weight	72 lbs.
Cold Water Capacity	8 GPH
Compressor	1/4 hp
Compressor (Full Load) - Danfoss	4.8 amps
Compressor (Full Load) - Huayi	4.4 amps
Refrigerant	134a
Refrigerant Charge - Danfoss	4.75 oz.
Refrigerant Charge - Hauyi	3.95 oz.

Model P14M

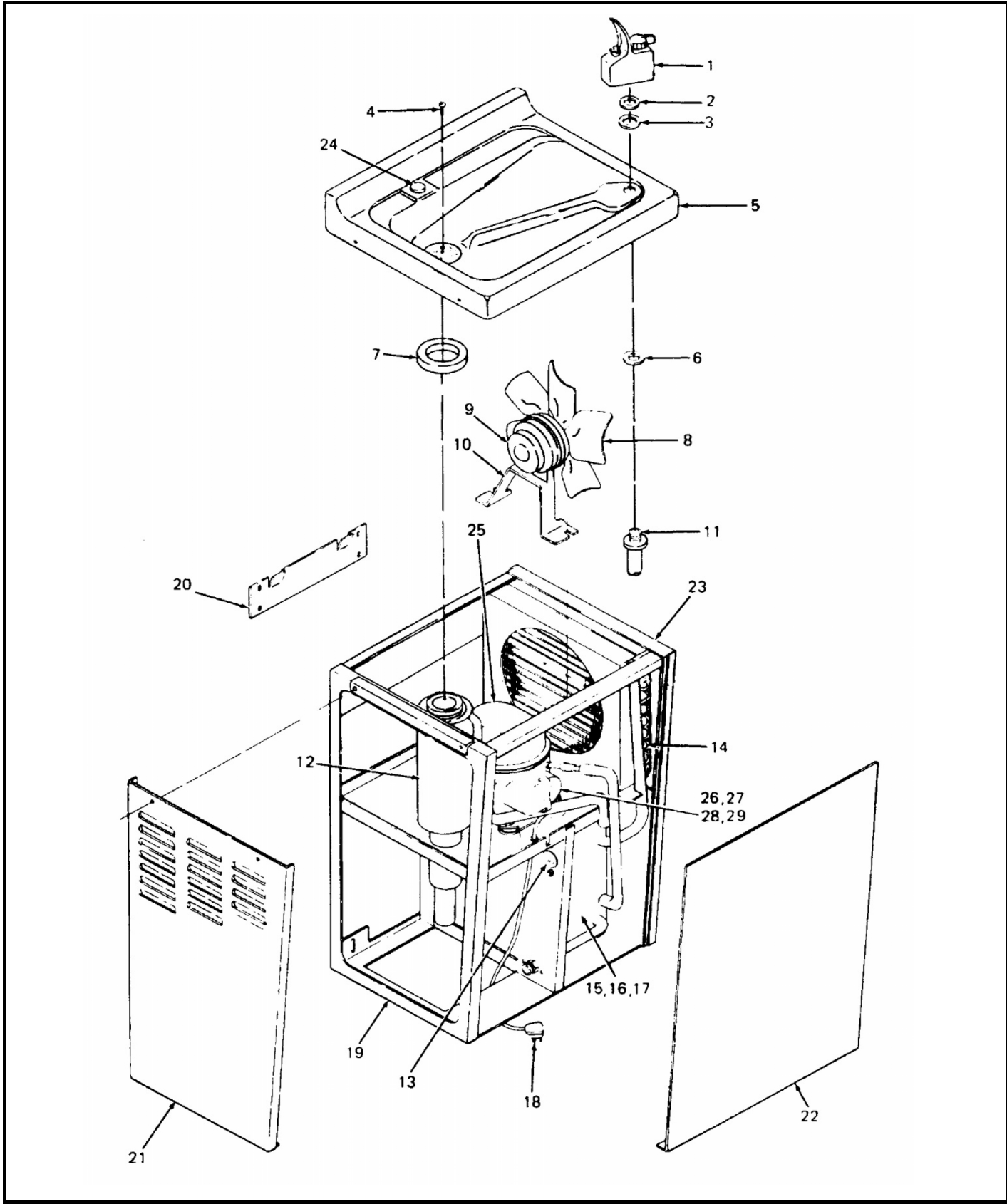
Voltage	115VAC, ±10%, 1 PH, 60 Hz
Size	26" H, 17" W, 14" D
Shipping Weight	76 lbs.
Cold Water Capacity	14 GPH
Compressor	1/4 hp
Compressor (Full Load) - Danfoss	4.8 amps
Compressor (Full Load) - Huayi	4.4 amps
Refrigerant	134a
Refrigerant Charge - Danfoss	4.75 oz.
Refrigerant Charge - Hauyi	3.95 oz.

* Industry Standard Rating Conditions:

Room Temperature 90°F; Supply Water Temperature 80°F;

Drinking Water Temperature 50°F

Specifications subject to change without notice.

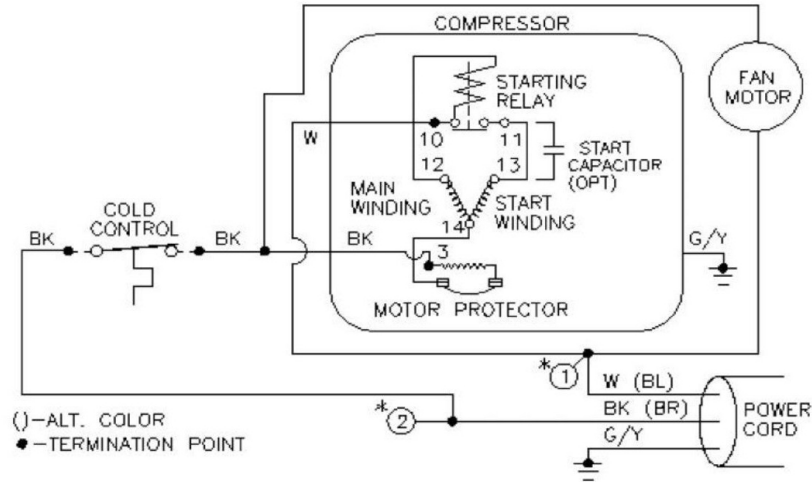


Parts List

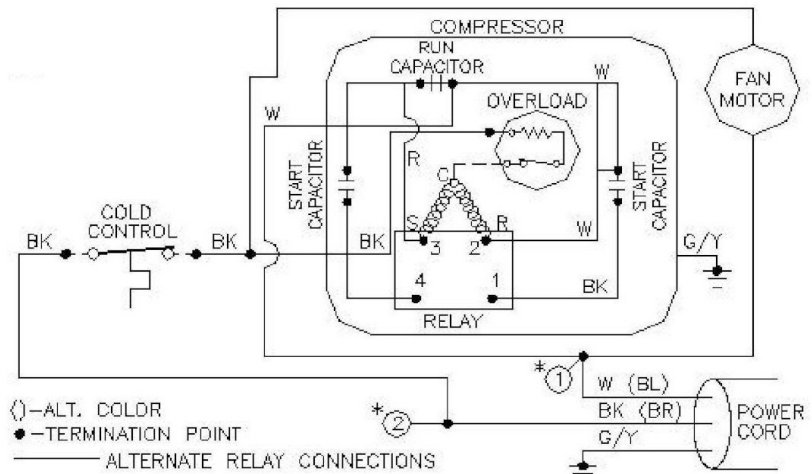
Item #	Description	P8M	P14M
1	Bubbler Valve	030774-006	030774-006
2	Valve Body Gasket	028706-006	028706-006
3	Friction Washer	028706-013	028706-013
4	Drain Screw	036049-002	036049-002
5	Top	028965-004	028965-004
6	Gasket (Under Top)	028706-001	028706-001
7	Waste Gasket	018050	018050
8	Fan Blade	022977	022977
9	Fan Motor	027354-036	027354-036
10	Fan Motor Bracket	018559-001	018559-001
11	Bubbler Supply Spud	028701-005	028701-005
12	Waste, Plastic 16.0	036011-003	N/A
12	Precooler Assembly	N/A	025198-102
13	Cold Control	027040-039	027040-039
14	Condenser	031766-201	031766-201
15	Insulated Cooling Tank - Danfoss	033469-042-SP	033469-043
15	Insulated Cooling Tank - Huayi	033469-044	033469-045
16	Insulation, Cooling Tank - RH	033431-001	033431-001
17	Insulation, Cooling Tank - LH	033431-002	033431-002
18	Service Cord	026540-045	026540-045
19	Frame	028983-001	028983-001
20	Hanger Bracket	016698-002	016698-002
21	Left Side Panel - Sandstone	018937-007	018937-007
21	Left Side Panel - Stainless	018939 L	018939 L
22	Front Panel - Sandstone	019644-004	019644-004
22	Front Panel - Stainless	019646	019646
23	Right Side Panel - Sandstone	018937-008	018937-008
23	Right Side Panel - Stainless	018939 R	018939 R
24	Hole Cover	016944	016944
25	Compressor Assembly - Danfoss	033425-006	033425-006
25	Compressor Assembly - Huayi	036115-001	036115-001
26	Relay/Overload Combo - Danfoss	032836-007	032836-007
26	Relay - Huayi	036056-003	036056-003
27	Overload - Huayi	036055-003	036055-003
28	Start Capacitor - Danfoss	027956-004	027956-004
28	Start Capacitor - 60 MFD - Huayi	027956-008	027956-008
29	Run Capacitor - 25 MFD - Huayi	027956-009	027956-009
Parts Not Shown			
	Refrigerant Drier	034343-003	034343-003

Wiring Diagrams:

P8M or P14M (-D Series)



P8M or P14M (-H Series)



OASIS International

222 East Campus View Blvd · Columbus, Ohio 43235 U.S.A.
 1-800-64-OASIS (1-800-646-2747)
www.oasiscoolers.com