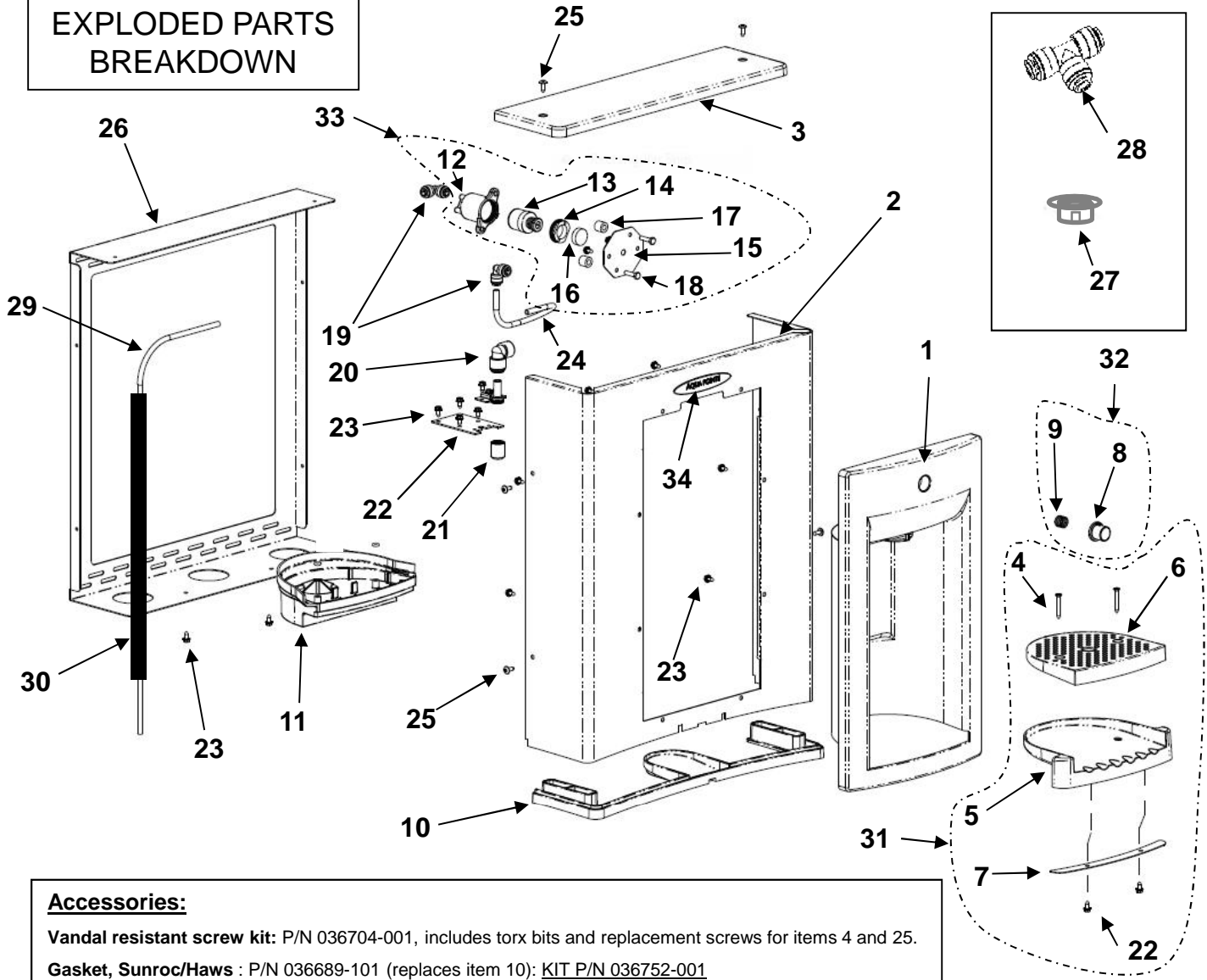


**EXPLODED PARTS BREAKDOWN**



**Accessories:**  
**Vandal resistant screw kit:** P/N 036704-001, includes torx bits and replacement screws for items 4 and 25.  
**Gasket, Sunroc/Haws :** P/N 036689-101 (replaces item 10): [KIT P/N 036752-001](#)  
**Gasket, Elkay/Halsey Taylor** P/N [036689-201](#) (replaces item 10 ): [KIT P/N 036752-002](#)

1 036190-002	ALCOVE, PWSBF	18 026670-007	SCREW,HEX HD MACHINE
2 036691-001	WRAPPER, PWSBF STN2	19 <a href="#">028481-101</a>	FTG,PP UNION ELBOW WHT
3 036686-001	CAP, PWSBF	20 028482-001	FTG, JG REDUCING ELBOW
4 036049-002	SCREW, FLAT HEAD TAPPING	21 038032-001	FLOW NOZZLE ASSY
5 036688-001	TRAY, DRIP PWSBF	22 036209-002	BRACKET, SPOUT SUPPORT
6 036695-001	TRAY, GRILLE DRIP	23 026642-003	SCREW, HEX HD TAPPING
7 036697-001	DRIP TRAY BOTTOM CAP	24 030152-031	TUBE, PE CUT LENGTH
8 <a href="#">036194-002</a>	BUTTON, PWSBF	25 031875-003	SCREW, BUTTON HD TAPPING
9 034649-001	SPRING, MSBF	26 036687-001	FRAME, PWSBF
10 036689-001	GASKET, PWSBF	27 027189-007	BUSHING, SNAP
11 036191-002	DRAIN, MSBF, SHORT	28 029199-103	FTG,PP UNION TEE WHITE
12 <a href="#">035990-001</a>	HOLDER, CARTRIDGE STEM CON	29 030152-046-SP	TUBE, PE CUT LENGTH
13 029967-002	CARTRIDGE	30 017681-008-SP	INSULATION, SPONGE TUBING
14 <a href="#">A020957</a>	NUT, RETAINING PLASTIC	31 036701-001	DRIP TRAY ASSEMBLY-SERVICE
15 036690-001	BRACKET, VALVE PWSBF	32 036702-001	BUTTON ASSEMBLY, PWSBF-SERVICE
16 030176-002	PLUG, HOLE	33 <a href="#">036231-001-SP</a>	VALVE ASSEMBLY, PWSBF DISPENSE-SERVICE
17 028706-036	WASHER/SPACER/GASKET-NON METAL	34 031206-005	INSERT, NAMEPLATE AQUAPOINTE

P/N 030099-412 Date: 2/2016 Rev G  
 © 2016 LVD Acquisition, LLC

Oasis, Aqua Pointe, Versacooler and VersaFiller are registered trademarks of LVD Acquisition, LLC.  
 Haws is a registered trademark of HAWS Corporation.  
 Elkay and Halsey Taylor are registered trademarks owned or licensed by Elkay Sales Inc. and/or its parent Elkay Manufacturing Company



**Oasis International**  
 222 East Campus View Blvd.  
 Columbus, OH 43235  
 614-861-1350  
[www.oasiscoolers.com](http://www.oasiscoolers.com)