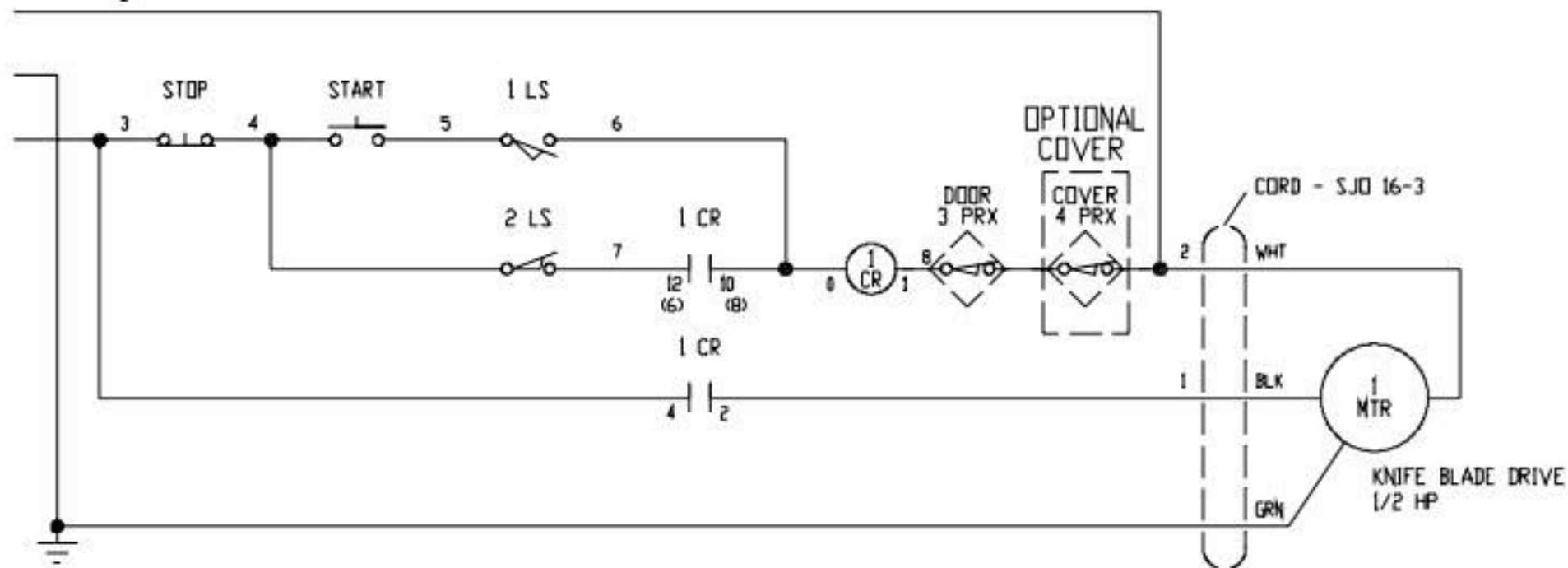
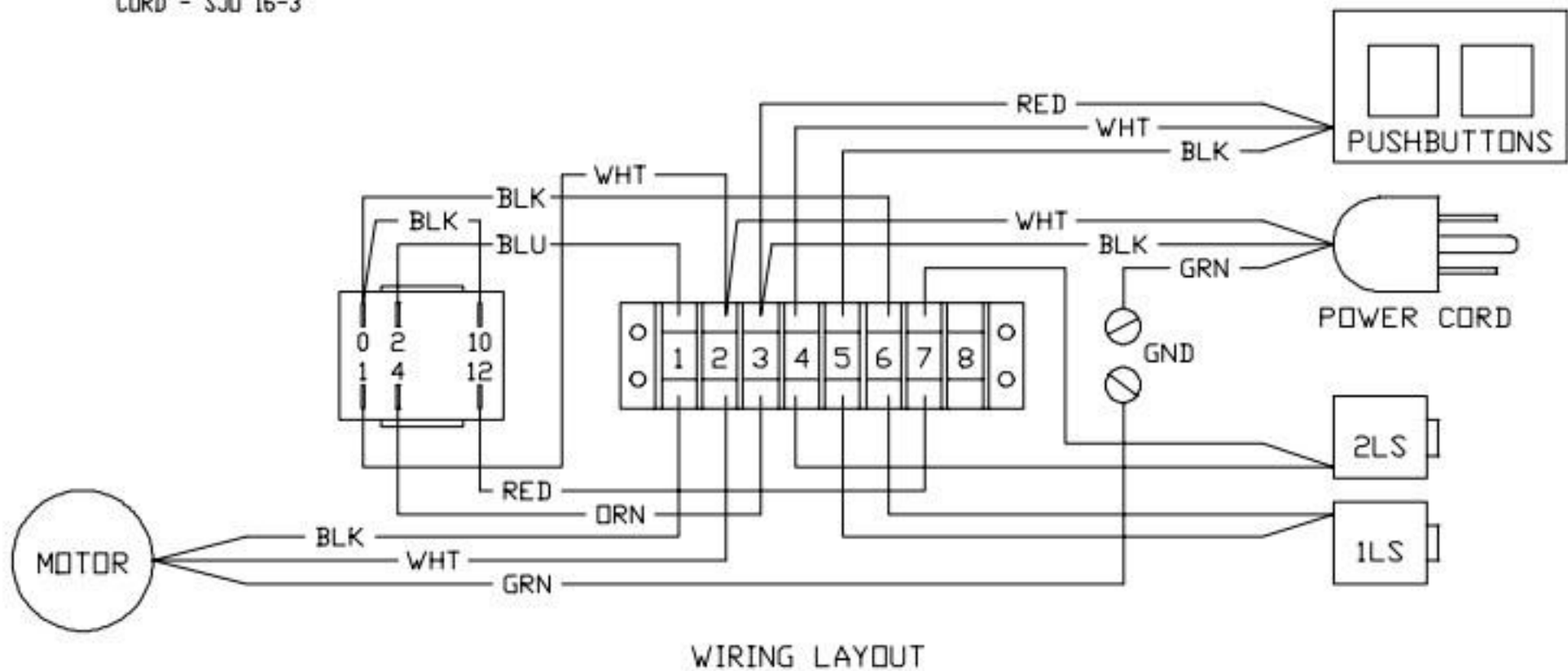


ALTERNATE RELAY WIRING

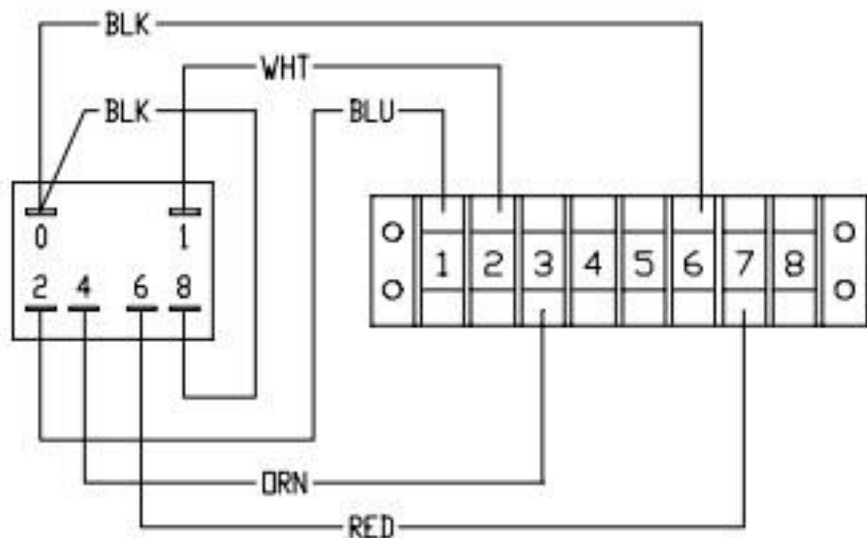
POWER CORD 10 FT
TYPE SJT 16-3₂



1 LS - MNTD ON THE SIDE OF THE MACHINE. CLOSES WHEN THE HAND LEVER IS PULLED FULLY BACK.
2 LS - MNTD ON THE SIDE OF THE MACHINE. OPENS WHEN THE HAND LEVER REACHES THE END OF ITS STROKE (HOME POSITION).



WIRING LAYOUT



ALTERNATE RELAY WIRING

POWER CORD 10 FT
TYPE SJT 16-3₂

