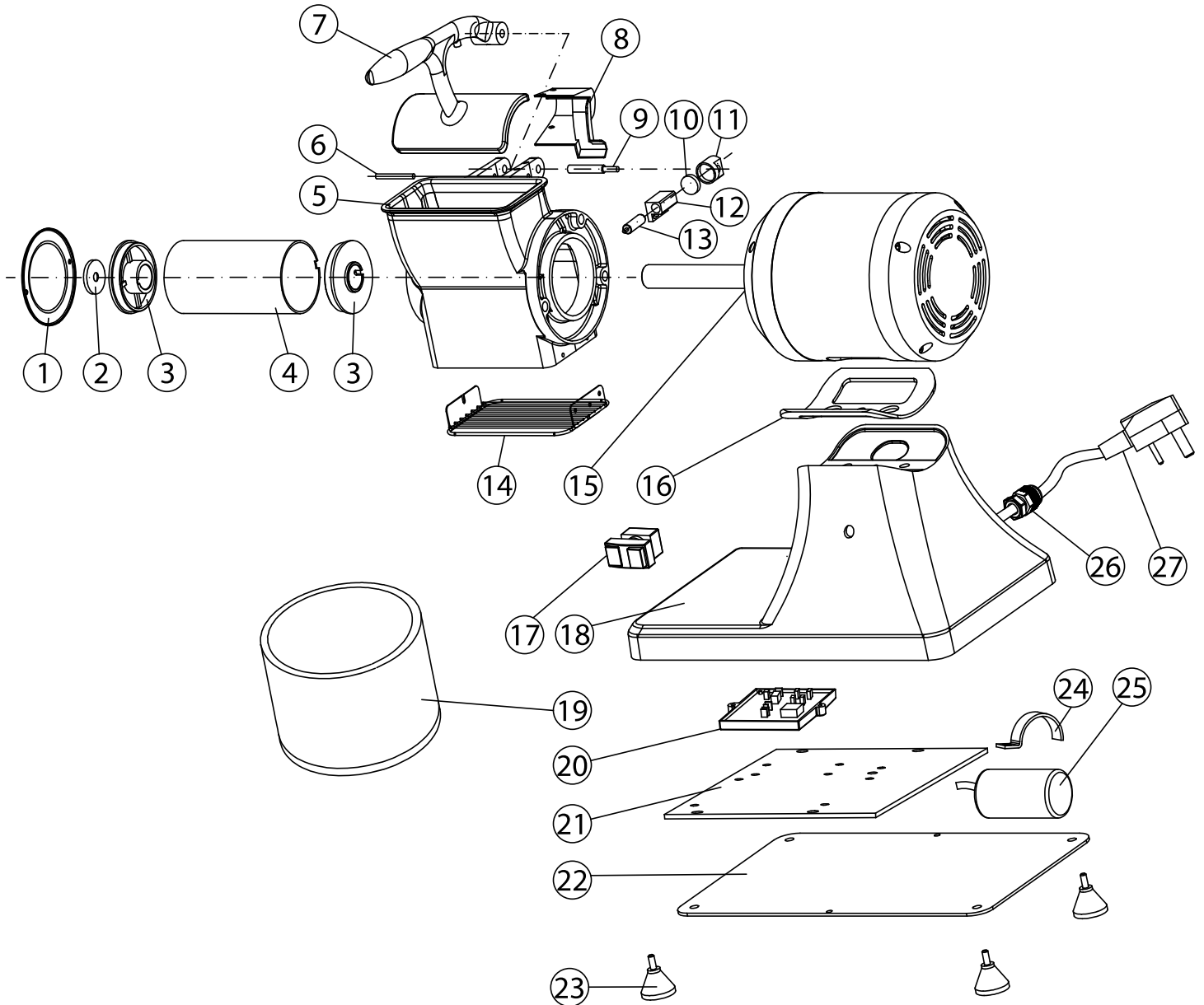


Parts Breakdown

Model GR-CN-0559 23991



Parts Breakdown

Model GR-CN-0559 23991

| Item No. | Description | Position | Item No. | Description | Position | Item No. | Description | Position |
|----------|--------------------------|----------|----------|--------------------------------|----------|----------|---------------------------------------|----------|
| 31705 | Plastic Cover for 23991 | 1 | 31720 | Magnet for 23991 | 10 | 31738 | Food Pan for 23991 | 19 |
| 31707 | Pressing Cover for 23991 | 2 | 31721 | Magnet Seat for 23991 | 11 | 63517 | Process Control Board for 23991 | 20 |
| AH182 | Pressing Plate for 23991 | 3 | 31719 | Microswitch Seat for 23991 | 12 | 63519 | PCB Baseplate for 23991 | 21 |
| 31709 | Roller for 23991 | 4 | 31718 | Microswitch for 23991 | 13 | 31746 | Bottom Plate for 23991 | 22 |
| 31713 | Product Tub for 23991 | 5 | 31726 | Shield with Brackets for 23991 | 14 | 31747 | Rubber Foot for 23991 | 23 |
| AH183 | Round Pin for 23991 | 6 | AH184 | Motor for 23991 | 15 | AH185 | Capacitor Clamp (110V Only) for 23991 | 24 |
| 31711 | Pressure Lever for 23991 | 7 | 31742 | Rubber Pad for 23991 | 16 | 31745 | Capacitor for 23991 | 25 |
| 31717 | Cover for 23991 | 8 | 31739 | On-Off Switch for 23991 | 17 | 31743 | Cable Tie for 23991 | 26 |
| 31724 | Rolling Shaft for 23991 | 9 | 31740 | Body for 23991 | 18 | 31744 | Cable and Plug for 23991 | 27 |