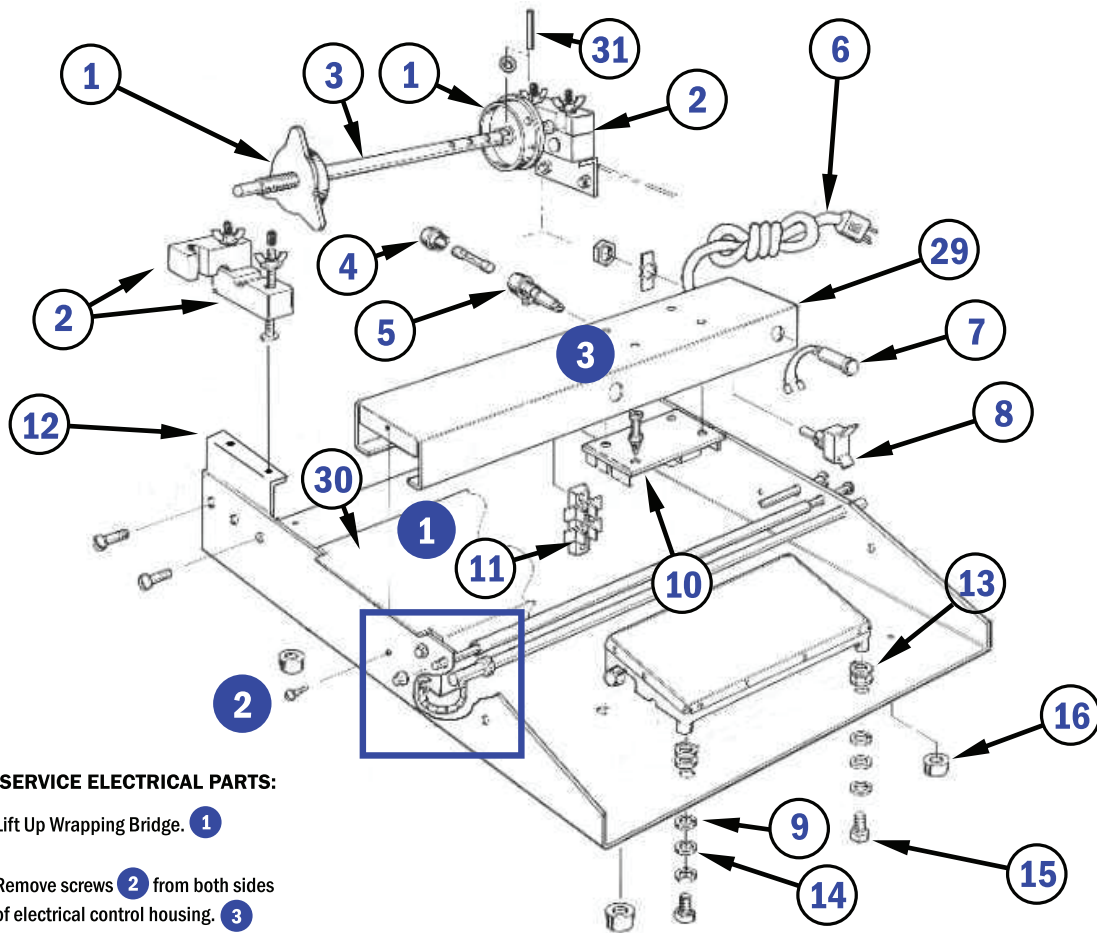


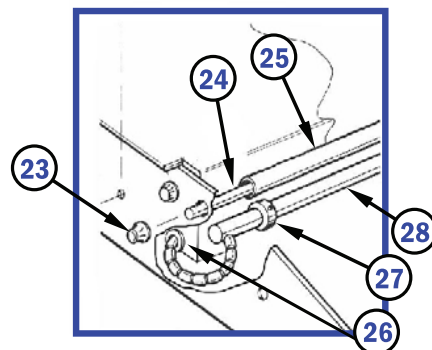
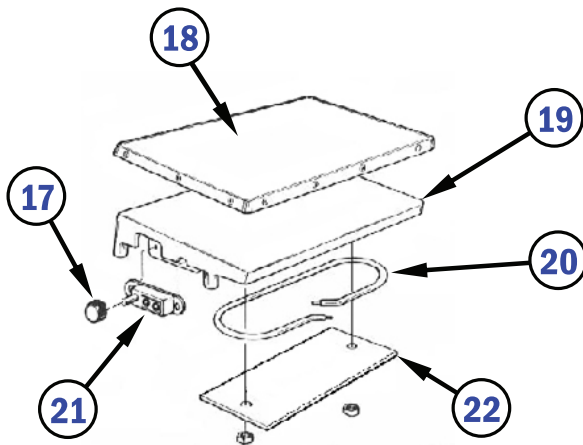
Parts Breakdown

Model SE-US-0533-S 14428



TO SERVICE ELECTRICAL PARTS:

- Lift Up Wrapping Bridge. **1**
- Remove screws **2** from both sides of electrical control housing. **3**
- Lift out Electrical Control Housing.



Make Sure To Lift Film From Behind Plastic Guide To Avoid Burning Fingers on Hot Rod

Parts Breakdown

Model SE-US-0533-S 14428

Item No.	Description	Position	Item No.	Description	Position	Item No.	Description	Position
15691	Core Adapter Set for 14428	1	37445	Brg. Blk. Supt. Plate for 14428	12	17542	Thinnerman Cap for 14428	23
15697	Bearing Block Set for 14428	2	15676	Insulator Washer for 14428	13	40582	Kit Film Retainer Rod 1/4" D by 22 5/8" L Vinyl Film Retainer and Two Caps for 14428	24
15683	Axle for 14428	3	37444	Lock Washer for 14428	14	15695	Retainer Film Guide Vinyl for 14428	25
15671	Fuse for 14428	4	37443	Hex Cap Screw for 14428	15	27860	Snap Bushing for 14428	26
15672	Fuse Holder for 14428	5	15681	Rubber Feet 4/Pack (2135-001) for 14428	16	15684	Hot Rod Collar for 14428	27
15678	Power Cord 102-107A for 14428	6	15682	Knob Thermostat 102A for 14428	17	15675	Hot Rod for 14428	28
15677	Pilot Light for 14428	7	28511	Cover with Non-Stick Coating 6x15 for 14428	18	37439	Elec. Control Hsg. for 14428	29
15679	Switch Toggle for 14428	8	15686	Hot Plate Casting for 14428	19	37438	Wrapping Bridge for 14428	30
37447	Insulator Washer for 14428	9	14769	Element for 14428	20	27859	Core Adapter Pin for 14428	31
15670	Circuit Board for 14428	10	15680	Thermostat for 14428	21	76333	Hot Plate Assembly for 14428	
37446	Terminal Block for 14428	11	28499	Element Plate Retain for 14428	22			