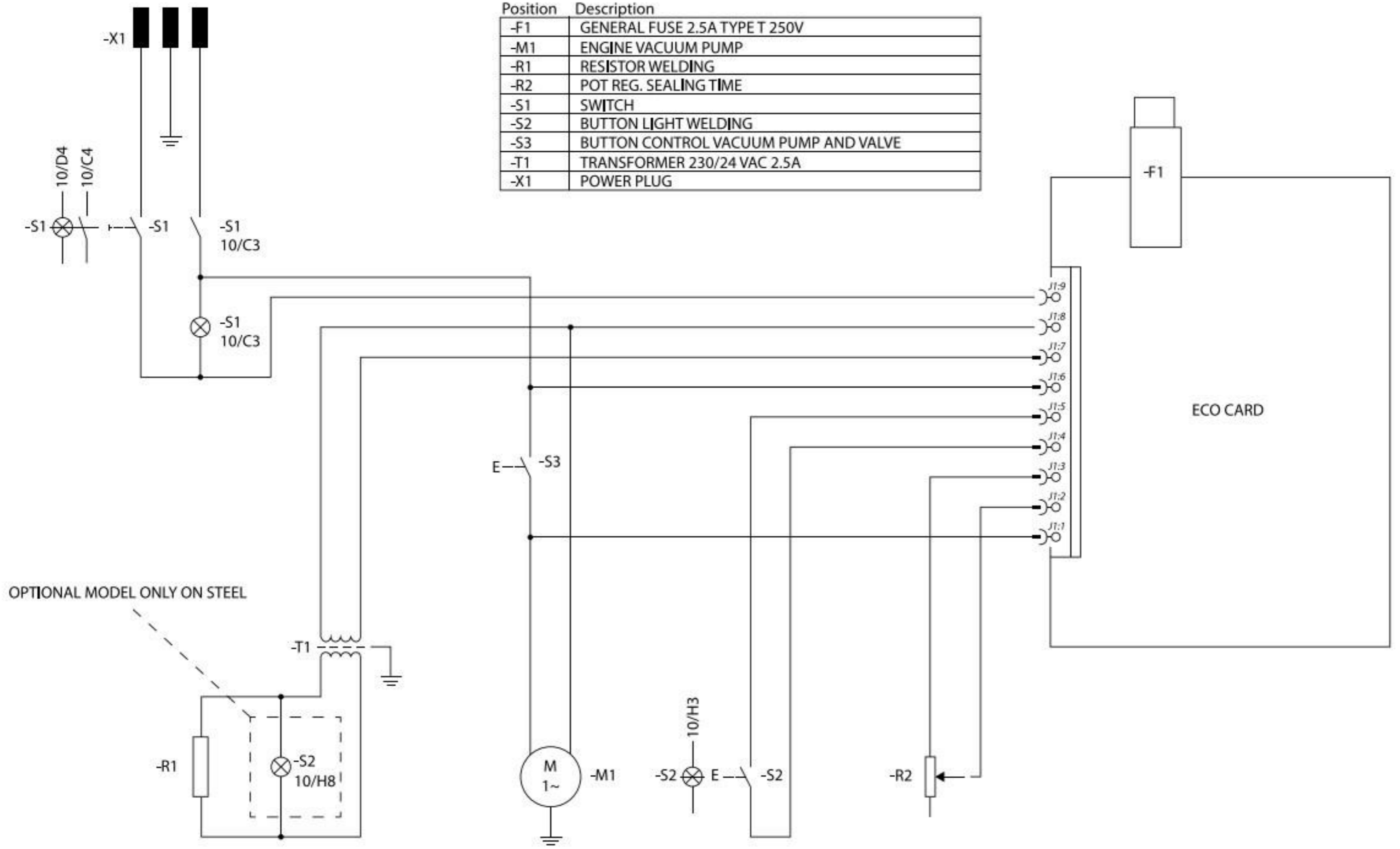


Position	Description
-F1	GENERAL FUSE 2.5A TYPE T 250V
-M1	ENGINE VACUUM PUMP
-R1	RESISTOR WELDING
-R2	POT REG. SEALING TIME
-S1	SWITCH
-S2	BUTTON LIGHT WELDING
-S3	BUTTON CONTROL VACUUM PUMP AND VALVE
-T1	TRANSFORMER 230/24 VAC 2.5A
-X1	POWER PLUG



OPTIONAL MODEL ONLY ON STEEL