



FILE NO. PAC-0070

NOTICE

- CORRECTION                       PRODUCTION CHANGE  
 SERVICE FLASH                       ADD INFORMATION

PLEASE ADD THIS NOTICE TO THE MANUALS LISTED BELOW.

CATEGORY : Air Conditioner	DATE : November.2006
MODEL : CHDX09053	REF.No. : PL 833801
DESTINATION : USA	ISSUE No. : 1

THE REASON OF CHANGE..

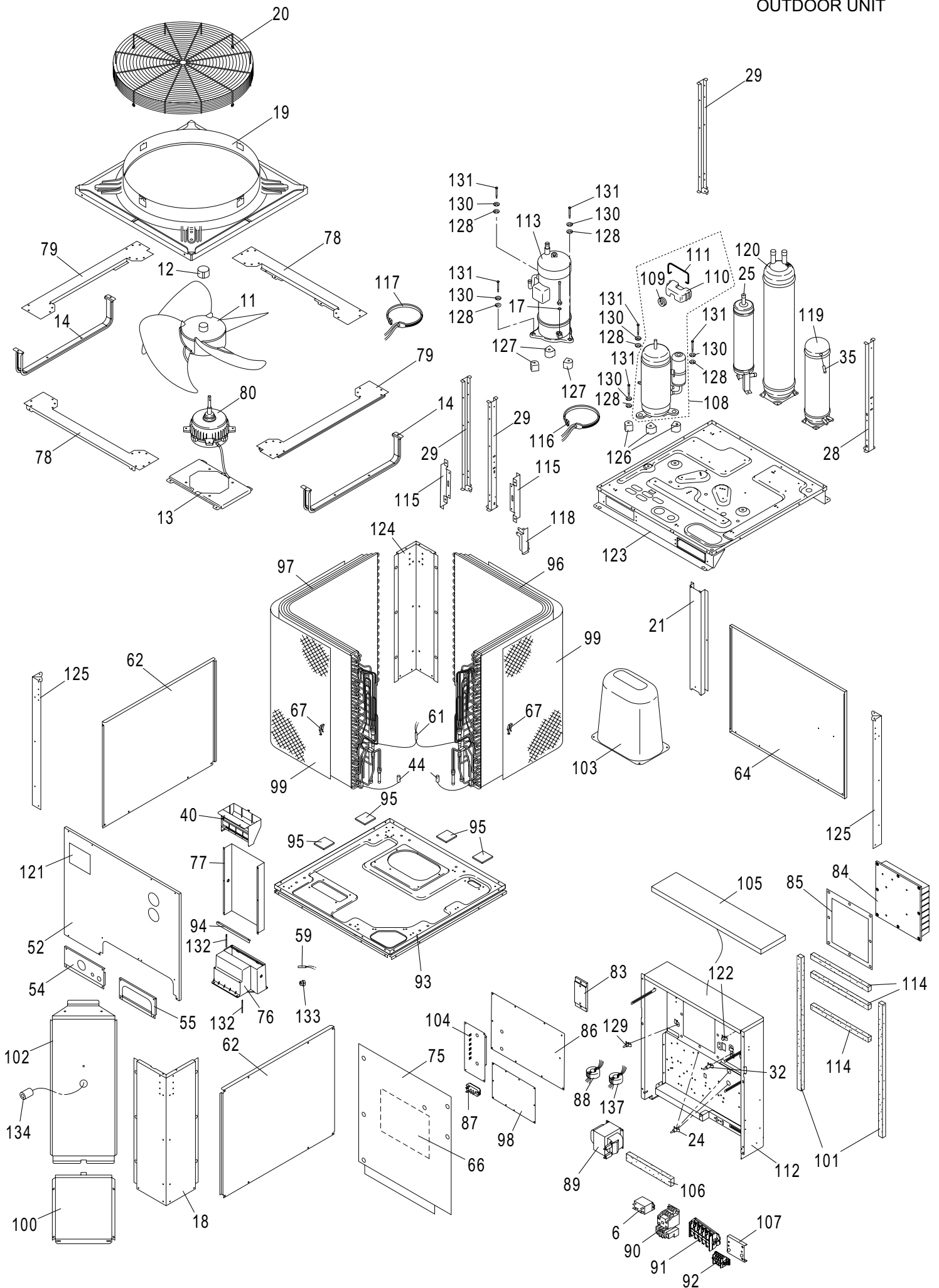
- A : Misprint                      B : Quality Reliability                      C : Standardization  
D : Design Change              E : Addition of Missing Parts              F : Parts Compatibility

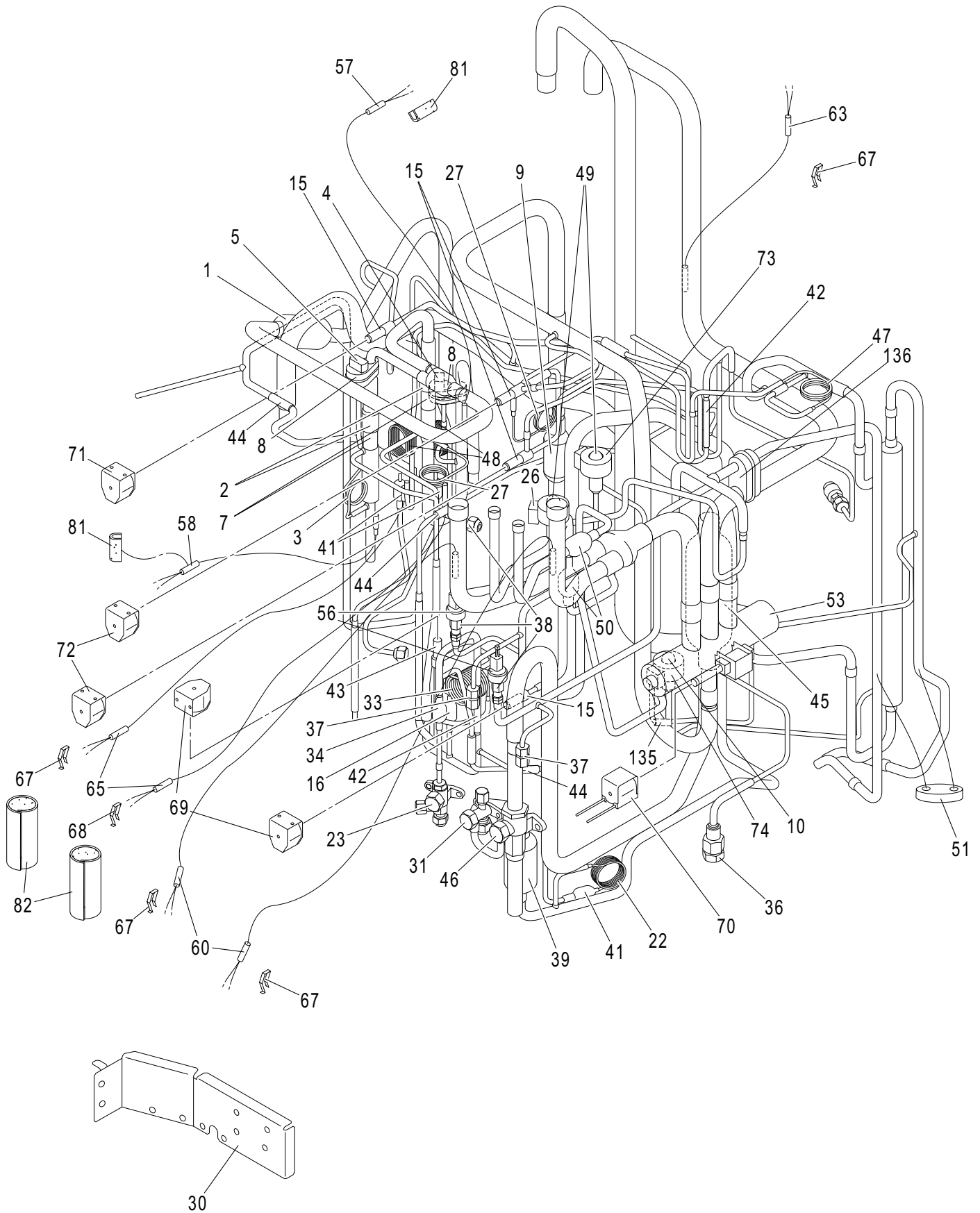
Page Section	Key. No.		Part No.	Description	Q'ty	Reference No.	Interchange-ability	Remarks
Page No6	113	Old	623 201 5706	Compressor Ass'y JT160G-KTTJ	1	854-0-4525-33400	—	D
	113	New	623 300 9599	Compressor Ass'y JT160G-KTTJ	1	854-0-4525-33800	—	

Prod.Code : 85403301

Reference No. PL833801-01

CHDX09053  
OUTDOOR UNIT





To ensure correct parts supply, please let us know followings,  
when you make service parts order:  
1.Part No. 2.Description 3.Q'ty 4.Volts-Hz-Ph 5.Product Model No.

CHDX09053  
OUTDOOR UNIT

Key No.	Part No.	Description	Q'ty	Reference No.	
1	623 043 4097	Strainer Ass'y	1	852-0-4506-14400	
*	2	623 170 9361	Check Valve Ass'y BCV-1005DYQ45	2	854-0-4518-18600
	3	623 170 9873	Capillary Tube	1	854-2-4237-25000
*	4	623 201 0527	Switch Ass'y ACB-4UB54W	1	8FA-0-5257-04700
*	5	623 201 0510	Switch Ass'y ACB-4UB54W	1	8FA-0-5257-04800
*	6	623 131 2547	Relay G7L-2A-TUB	1	4-2329-56722
	7	623 177 4260	Mounting Plate	2	854-2-4134-70401
	8	623 078 4871	Protection Rubber	2	854-2-2356-11100
*	9	638 006 4168	Check Valve Ass'y	1	854-0-4518-17000
*	10	623 183 8207	Solenoid Control Valve UKV-18D39	1	829-2-4505-15300
	11	623 201 0534	Propeller Fan Ass'y	1	826-0-2502-10310
	12	623 166 5711	Cap	1	826-2-1124-11800
	13	623 184 0781	Support Fan Motor	1	854-2-2516-39203
	14	623 184 0774	Support Fan Motor	2	854-2-2516-39102
*	15	623 183 4117	Solenoid Valve TEV-1920D	4	854-2-4549-17100
	16	623 043 3984	Strainer Ass'y	1	852-0-4506-13300
	17	623 194 7671	O-Ring	1	854-2-2359-15600
	18	623 184 0804	Side Panel	1	854-2-1102-97403
	19	623 201 0541	Top Cover	1	854-2-1106-40010
	20	623 183 4186	Guard Ass'y	1	854-0-1113-25301
	21	623 183 4179	Cover Plate	1	854-2-1133-42400
	22	623 189 8904	Capillary Tube	1	854-2-4237-50000
	23	623 189 8898	Valve Ass'y IVB-202TCS	1	854-0-4521-40000
	24	623 097 1677	Spacer SPLSN-6	5	851-2-5366-03800
	25	623 189 8959	Oil Separator Ass'y	1	854-0-4523-17101
*	26	623 189 8942	Magnetic Coil Ass'y UKV-U031E	1	8FA-0-5251-09000
	27	638 003 9814	Capillary Tube	2	854-2-4231-67900
	28	623 183 4247	Mounting Plate	1	854-2-2361-99100
	29	623 183 4230	Mounting Plate	3	854-2-2361-99200
	30	623 189 8935	Support valve	1	854-2-4129-32800
	31	623 181 1958	Valve Ass'y 3/8 in.	1	854-0-4504-32300
	32	623 184 2136	Spacer SPLSN-7	3	851-2-5366-03900
	33	623 189 8966	Capillary Tube	1	854-2-4237-50200
	34	623 043 4202	Strainer Ass'y	1	852-0-4506-15900
	35	623 000 5303	Half Union	1	3-9328-10200
	36	623 191 4185	Fusible Plug	1	854-2-4306-15800
*	37	623 179 6279	Check Valve Ass'y	2	852-0-4204-13610
	38	623 063 8280	Charge Port Ass'y	3	853-0-4514-80300
	39	623 070 9287	Strainer Ass'y	1	854-0-4522-10200
	40	623 189 9307	Cover Plate	1	854-2-2342-86601
	41	623 184 6745	Strainer Ass'y	3	854-0-4522-15800
*	42	623 140 7731	Check Valve Ass'y FCV-3020DQ1	2	852-0-4204-13300
*	43	623 183 4278	Solenoid Valve TEV-1620DQ14	1	854-2-4549-17200
	44	623 119 3320	Mounting Rubber, Tube	5	854-2-4315-23400
	45	623 160 4543	Strainer Ass'y	1	826-0-4506-11400
	46	623 189 8980	Valve Ass'y 3/4 in.	1	854-0-4507-28900
	47	638 003 9883	Capillary Tube	1	854-2-4231-67600
	48	623 189 8973	Capillary Tube	2	854-2-4237-50100
*	49	623 177 7476	Solenoid Control Valve UKV-30D40	2	854-2-4548-20800
	50	623 101 8968	Strainer Ass'y	2	854-0-4522-13100

NOTE: Metal and plastic parts will be supplied basically with necessary heat insulation pads or packing. Each key number with an asterisk (\*) means the recommended service parts.

To ensure correct parts supply, please let us know followings,  
when you make service parts order:  
1.Part No. 2.Description 3.Q'ty 4.Volts-Hz-Ph 5.Product Model No.

CHDX09053  
OUTDOOR UNIT

Key No.	Part No.	Description	Q'ty	Reference No.
51	623 171 0473	Mounting Rubber, Tube	1	854-2-4315-38700
52	623 201 0565	Front Panel	1	854-2-1116-203H4
* 53	623 181 5222	Reversing Valve STF-0712G	1	854-2-4508-18800
54	623 201 0558	Front Panel	1	854-2-1116-23803
55	623 184 0897	Front Panel	1	854-2-1116-20103
* 56	623 190 3073	Thermistor NSK-BA035I-126	2	1FA-4-V2E0-34400
* 57	623 201 0633	Thermistor Ass'y PTC-51H	1	8FA-0-5259-24300
* 58	623 201 0626	Thermistor Ass'y PTC-51H	1	8FA-0-5259-24400
* 59	623 201 0619	Thermistor Ass'y PBM-41E	1	8FA-0-5259-24600
* 60	623 201 0602	Thermistor Ass'y PB2M-41E	1	8FA-0-5259-24800
* 61	623 201 0596	Thermistor Ass'y PB2M-41E	1	8FA-0-5259-24700
62	623 201 0589	Side Panel	2	854-2-1117-00113
* 63	623 201 0572	Thermistor Ass'y PB2M-41E	1	8FA-0-5259-24900
64	623 201 0664	Rear Panel	1	854-2-1103-37113
* 65	623 201 0657	Thermistor Ass'y PB2M-41E	1	8FA-0-5259-25000
66	623 201 0640	Elec. Wiring Diagram	1	8FA-2-5257-97000
67	623 148 5876	Mounting Thermostat	6	852-2-5303-22401
68	623 169 6487	Mounting Thermostat	1	852-2-5303-24801
* 69	623 201 5669	Magnetic Coil Ass'y TEV-MOAQ904B1	1	8FA-0-5251-20000
* 70	623 201 5652	Magnetic Coil Ass'y STF-01AQ505UA1	1	8FA-0-5251-20400
* 71	623 201 5645	Magnetic Coil Ass'y TEV-MOAQ904B1	1	8FA-0-5251-20100
* 72	623 201 5638	Magnetic Coil Ass'y TEV-MOAQ904B1	1	8FA-0-5251-20200
* 73	623 189 9109	Magnetic Coil Ass'y UKV-U049E	1	8FA-0-5251-09300
* 74	623 189 9093	Magnetic Coil Ass'y UKV-U038E	1	8FA-0-5251-09500
75	623 183 4513	Cover, Elec. Component Box	1	854-2-5304-619H1
76	623 189 9086	Cover Plate	1	854-2-2342-86701
77	623 189 9079	Cover Plate	1	854-2-2342-86801
78	623 184 0941	Mounting Plate	2	854-2-1136-21303
79	623 184 0934	Mounting Plate	2	854-2-1136-21403
* 80	623 201 0695	Fan Motor GCG21804-T8SA-U	1	1FA-4-M4A0-12900
81	638 004 3279	Insulation Special	2	854-2-2410-88700
82	623 183 4896	Insulation Special	2	854-2-2411-49100
83	623 177 4550	Cooler	1	854-2-5325-17201
84	623 183 4889	Cooler	1	854-2-5325-18201
85	623 195 7007	Sheet	1	1FA-4-G1A0-10200
* 86	623 201 0923	Controller Ass'y CR-CHDX14053	1	854-9-9536-05382
* 87	623 183 4902	Diode DF30DB80	1	1FA-4-V2D0-04000
* 88	623 183 4544	Transformer Ass'y CL-9	1	8FA-0-5263-02200
* 89	623 177 4437	Reactor R152AA	1	1FA-4-L5C0-11500
* 90	623 160 5830	Magnet Relay FW-1S/3QULZ691	1	1FJ-4-S2B0-17400
* 91	623 201 5676	Terminal Base UK125-4J UL	1	1FA-4-J3A0-31600
* 92	638 013 2164	Terminal Base KTM-4J	1	1FJ-4-J3A0-03900
* 93	623 201 0701	Drain Pan Ass'y	1	854-0-2301-64003
94	623 189 9161	Cover Plate	1	854-2-2342-869H1
95	623 183 4612	Sheet Rubber	4	854-2-1353-17300
* 96	623 192 9868	Heat Exch Ass'y	1	854-0-4124-57400
* 97	623 192 9851	Heat Exch Ass'y	1	854-0-4124-57500
* 98	623 201 0930	P.C.B. Ass'y FIL-CHDX14053	1	854-9-9536-05384
99	623 183 4568	Guard	2	854-2-1113-27800
100	623 201 0725	Mounting Plate	1	854-2-2362-06503

NOTE: Metal and plastic parts will be supplied basically with necessary heat insulation pads or packing. Each key number with an asterisk (\*) means the recommended service parts.

To ensure correct parts supply, please let us know followings,  
when you make service parts order:

1.Part No. 2.Description 3.Q'ty 4.Volts-Hz-Ph 5.Product Model No.

CHDX09053  
OUTDOOR UNIT

Key No.	Part No.	Description	Q'ty	Reference No.
101	623 189 9208	Packing	2	854-2-2366-90500
102	623 201 0718	Cover Plate	1	854-2-2342-87603
103	623 201 0763	Cover Plate	1	854-2-2342-86310
* 104	623 201 0947	P.C.B. Ass'y HIC-CHDX14053	1	854-9-9536-05383
105	623 183 4964	Insulation	1	854-2-1408-95400
106	623 183 4957	Packing	1	854-2-2366-81200
107	623 201 5690	Mounting Plate	1	854-2-5309-38111
* 108	623 201 5683	Compressor Ass'y C-9RVN273H0S	1	854-0-4525-33600
109	623 169 5190	Eyelet Rubber Lead Wire	1	801-2-5304-12600
110	626 040 0826	Cap Terminal Cover	1	801-2-6195-10700
111	626 040 0512	Clip	1	801-2-5340-10500
112	623 201 0794	Elec Component Box Ass'y	1	854-0-5311-08201
* 113	623 300 9599	Compressor Ass'y JT160G-KTTJ	1	854-0-4525-33800
114	623 189 9222	Packing	3	854-2-2366-90600
115	623 183 4711	Mounting Plate	2	854-2-2362-00201
* 116	623 201 0787	Heater Ass'y	1	8FA-0-5255-05100
* 117	623 201 0770	Heater Ass'y	1	8FA-0-5255-05200
118	623 183 4803	Mounting Plate	1	854-2-2362-00101
119	623 183 4797	Receiver Tank Ass'y	1	854-0-4110-90311
120	623 192 9899	Accumulator Ass'y	1	854-0-4517-51701
121	623 192 9882	Badge	1	854-2-1354-31905
122	623 096 5973	Spacer SPSN-4	1	851-2-5366-04100
123	623 201 5713	Bottom Plate Ass'y	1	854-0-2204-65413
124	623 184 1122	Side Panel	1	854-2-1102-97503
125	623 184 1139	Side Panel	2	854-2-1102-97603
126	623 077 2564	Cushion Rubber	3	854-2-2318-13200
127	638 019 4728	Cushion Rubber	3	854-2-2318-14500
128	623 183 4650	Spacer	6	854-2-2349-22000
129	623 096 5966	Spacer SPLSN-4	9	851-2-5366-03700
130	623 095 4960	Washer Special	6	854-2-1355-13300
131	623 170 9422	Bolt Special	6	854-2-2348-15400
132	628 012 9219	Fixture Cord	2	731-2-5323-12000
133	623 027 4990	Bushing	1	800-2-5337-17900
134	623 118 1594	Insulation Special	1	854-2-2410-73000
135	638 018 5689	Mounting Rubber, Tube	1	854-2-4315-23700
136	623 188 0756	Mounting Rubber, Tube	1	854-2-4315-25600
* 137	623 201 0800	Transformer Ass'y CL-9	1	8FA-0-5263-06000

NOTE: Metal and plastic parts will be supplied basically with necessary heat insulation pads or packing. Each key number with an asterisk (\*) means the recommended service parts.

For Parts or Service Contact  
SANYO HVAC SERVICE CENTER  
SANYO Fisher Service Company  
1165 Allgood Road, Suite 22, Marietta, GA 30062 U.S.A.  
300 Applewood Crescent, Concord, Ontario, L4K 5C7, CANADA  
2/07 Printed in Japan