

---

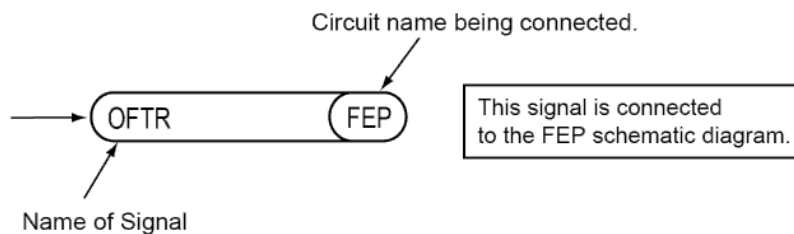
**Model No. : DMC-LX15/LX10/LX9 Schematic Diagram Note**

---

**IMPORTANT SAFETY NOTICE:**

COMPONENTS IDENTIFIED WITH THE MARK ⚠ HAVE THE SPECIAL CHARACTERISTICS FOR SAFETY. WHEN REPLACING ANY OF THESE COMPONENTS USE ONLY THE SAME TYPE.

1. Although reference number of the parts is indicated on the P.C.B. drawing and/or schematic diagrams, it is NOT mounted on the P.C.B. when it is displayed with "\$" mark.
2. It is only the "Test Round" and no terminal (Pin) is available on the P.C.B. when the TP (Test Point) indicated as "●" mark.
3. Use the parts number indicated on the Replacement Parts List .
4. Indication on Schematic diagrams:




5. It might be taking time for display and/or access of the Schematic Diagrams & P. C. B. having the heavy data volume.

---

**Model No. : DMC-LX15/LX10/LX9 Parts List Note**

---

- Note:
1. \* Be sure to make your orders of replacement parts according to this list.
  2. **IMPORTANT SAFETY NOTICE**  
Components identified with the mark  have the special characteristics for safety.  
When replacing any of these components, use only the same type.
  3. Unless otherwise specified,  
All resistors are in OHMS, K=1,000 OHMS. All capacitors are in MICRO-FARADS (uf), P=uuF.
  4. The marking (RTL) indicates the retention time is limited for this item. After the discontinuation of this assembly in production, it will no longer be available.
  5. Supply of CD-ROM or DVD, in accordance with license protection, is allowable as replacement parts only for customers who accidentally damaged or lost their own.

**E.S.D. standards for Electrostatically Sensitive Devices, refer to PREVENTION OF ELECTROSTATIC DISCHARGE (ESD) TO ELECTROSTATICALLY SENSITIVE (ES) DEVICES section.**

**Definition of Parts supplier:**

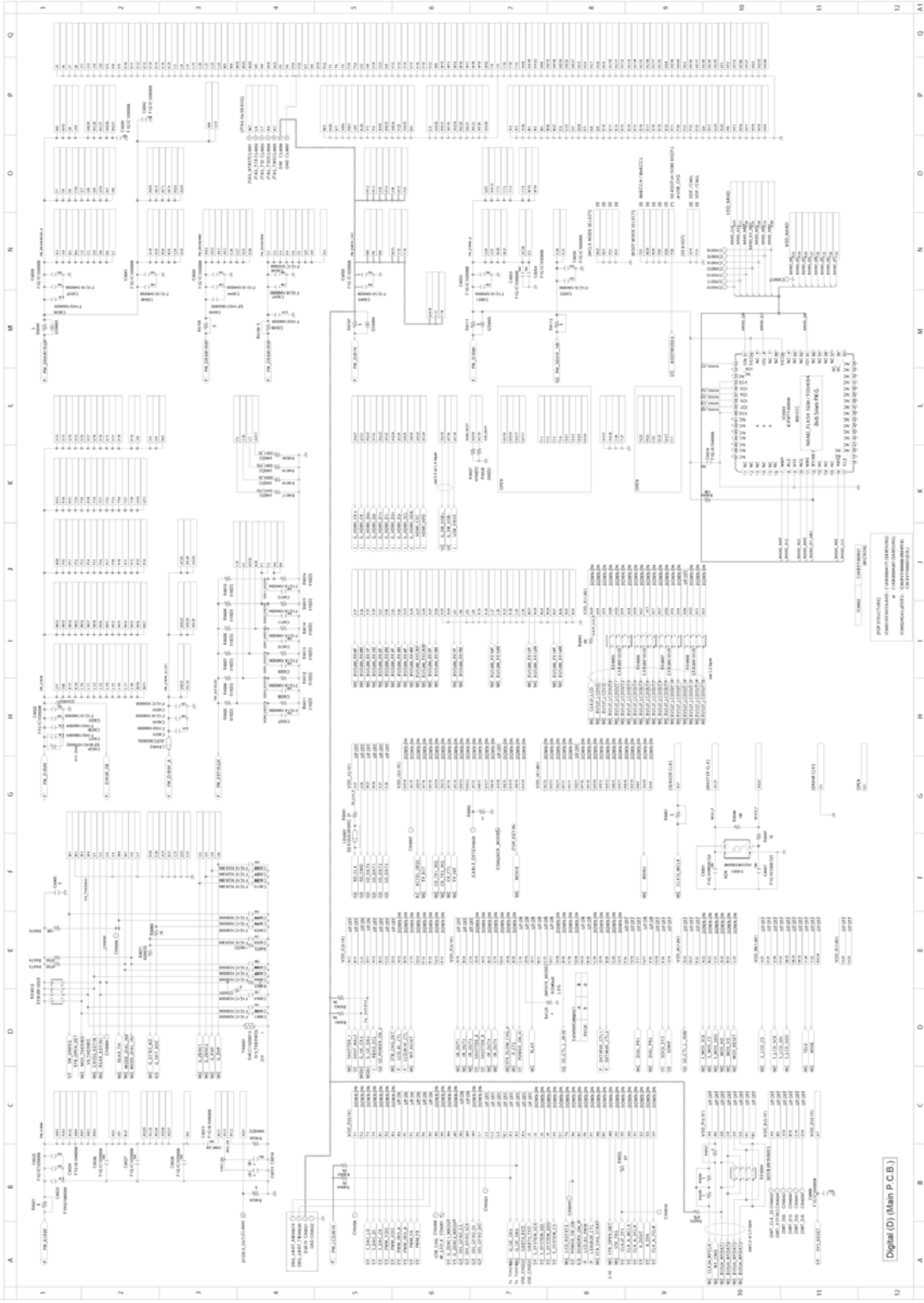
1. **Parts marked with [INBD] in the remarks column are supplied from AVC-IMAGING.**  
**Others are supplied from PAVCX.**



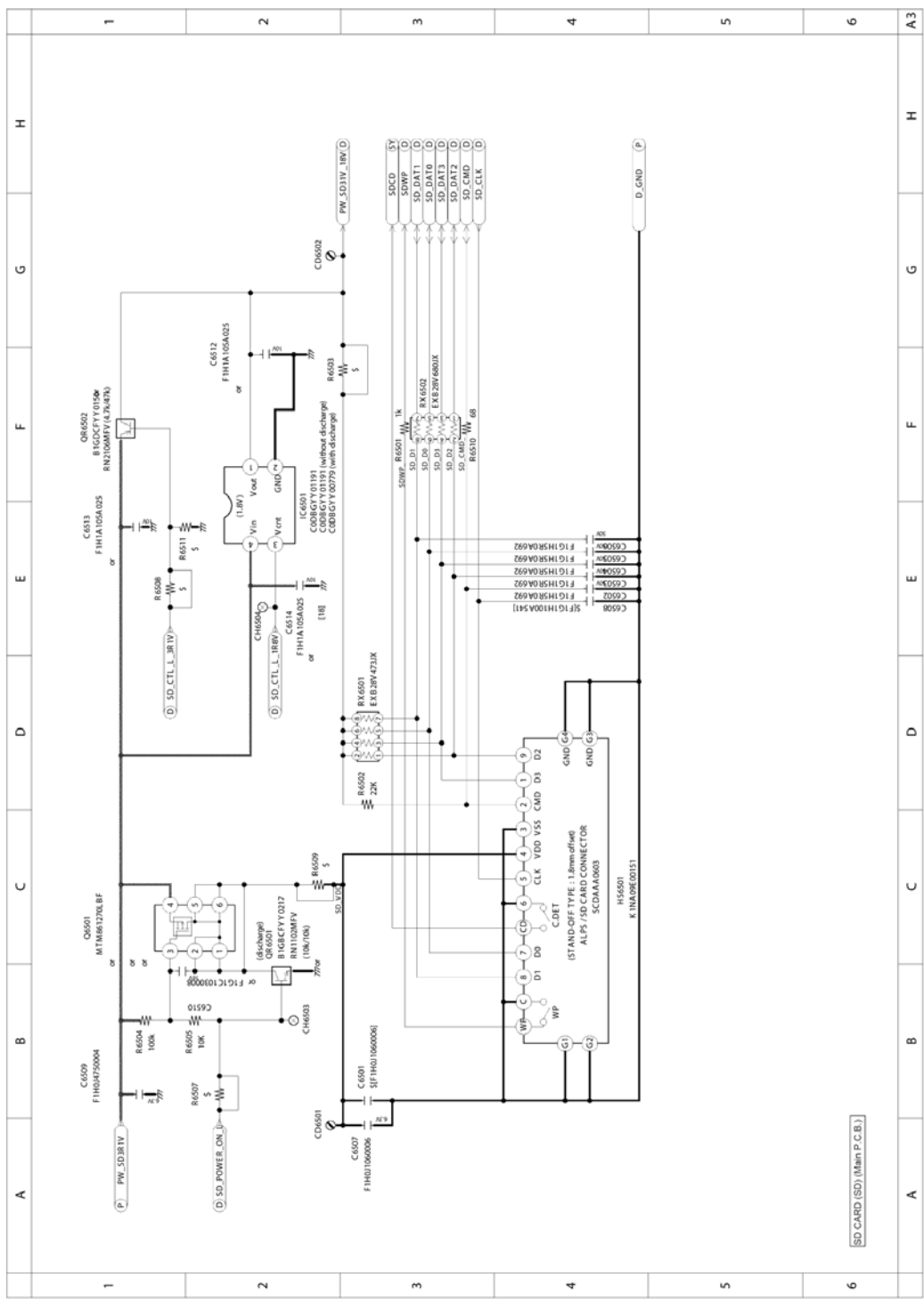




# Model No. : DMC-LX15/LX10/LX9 Digital (D) (Main P.C.B.)

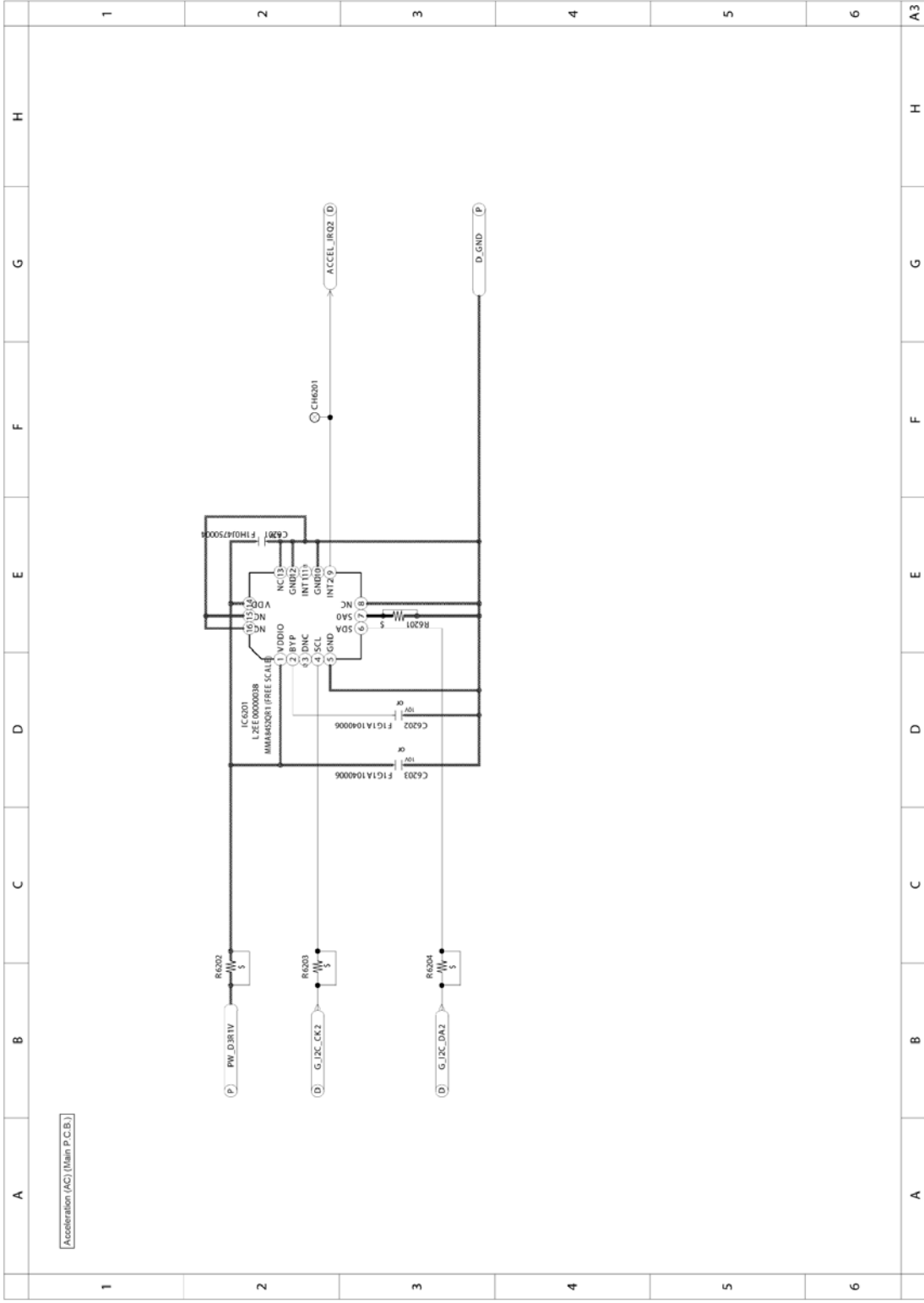


### Model No. : DMC-LX15/LX10/LX9 SD CARD (SD) (Main P.C.B.)

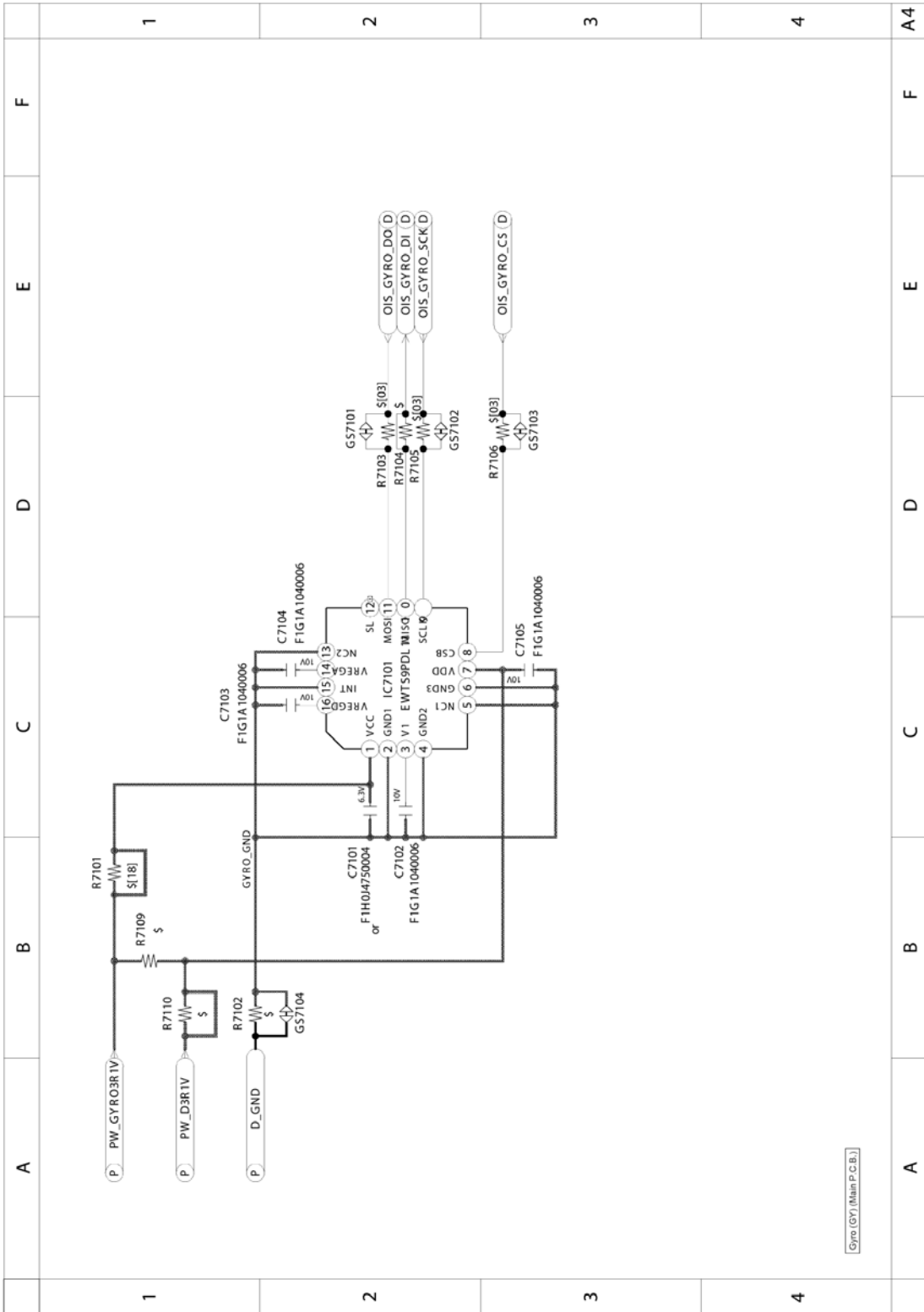


SD CARD (SD) (Main P.C.B.)

Model No. : DMC-LX15/LX10/LX9 Acceleration (AC) (Main P.C.B.)

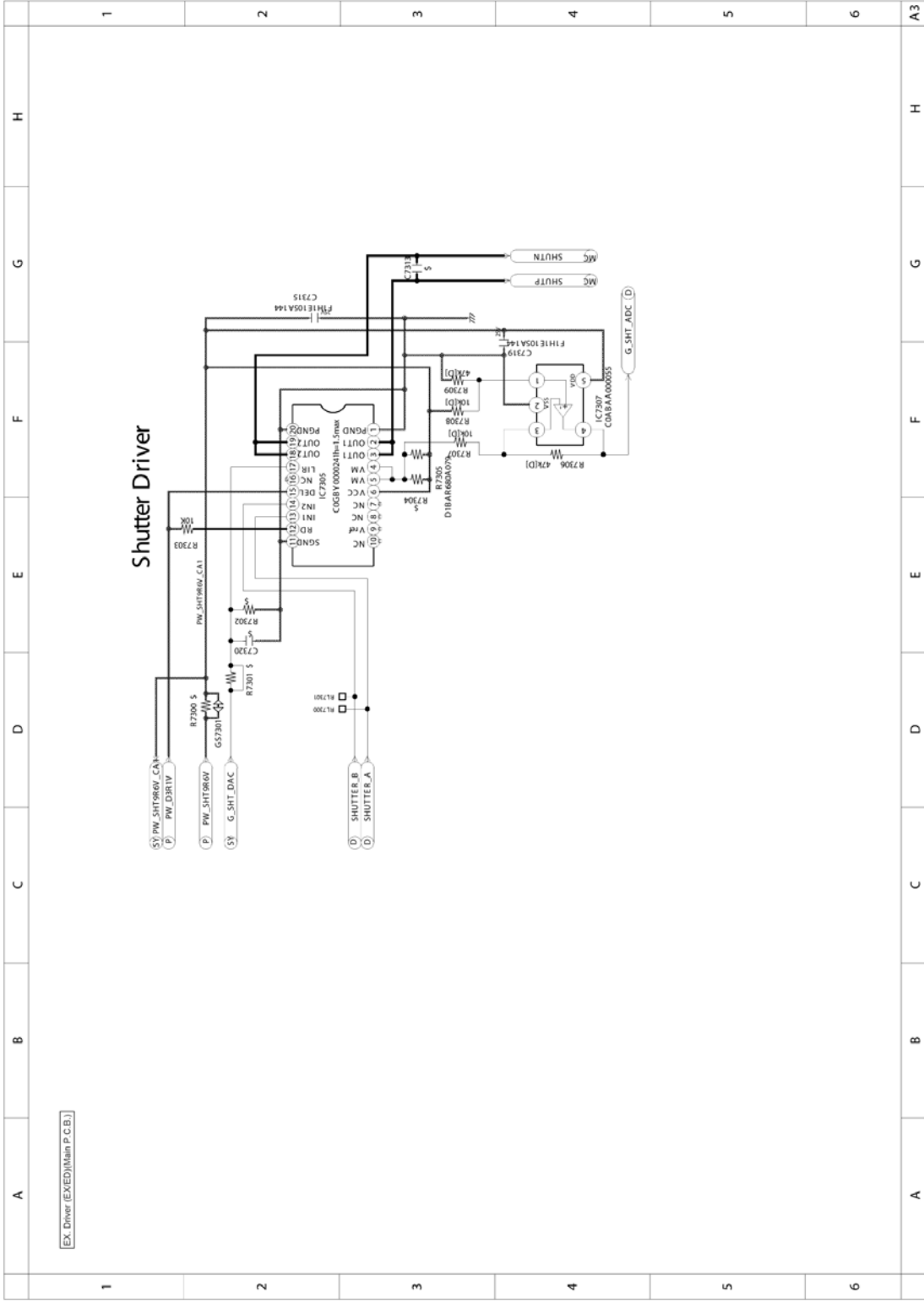


Model No. : DMC-LX15/LX10/LX9 Gyro (GY) (Main P.C.B.)



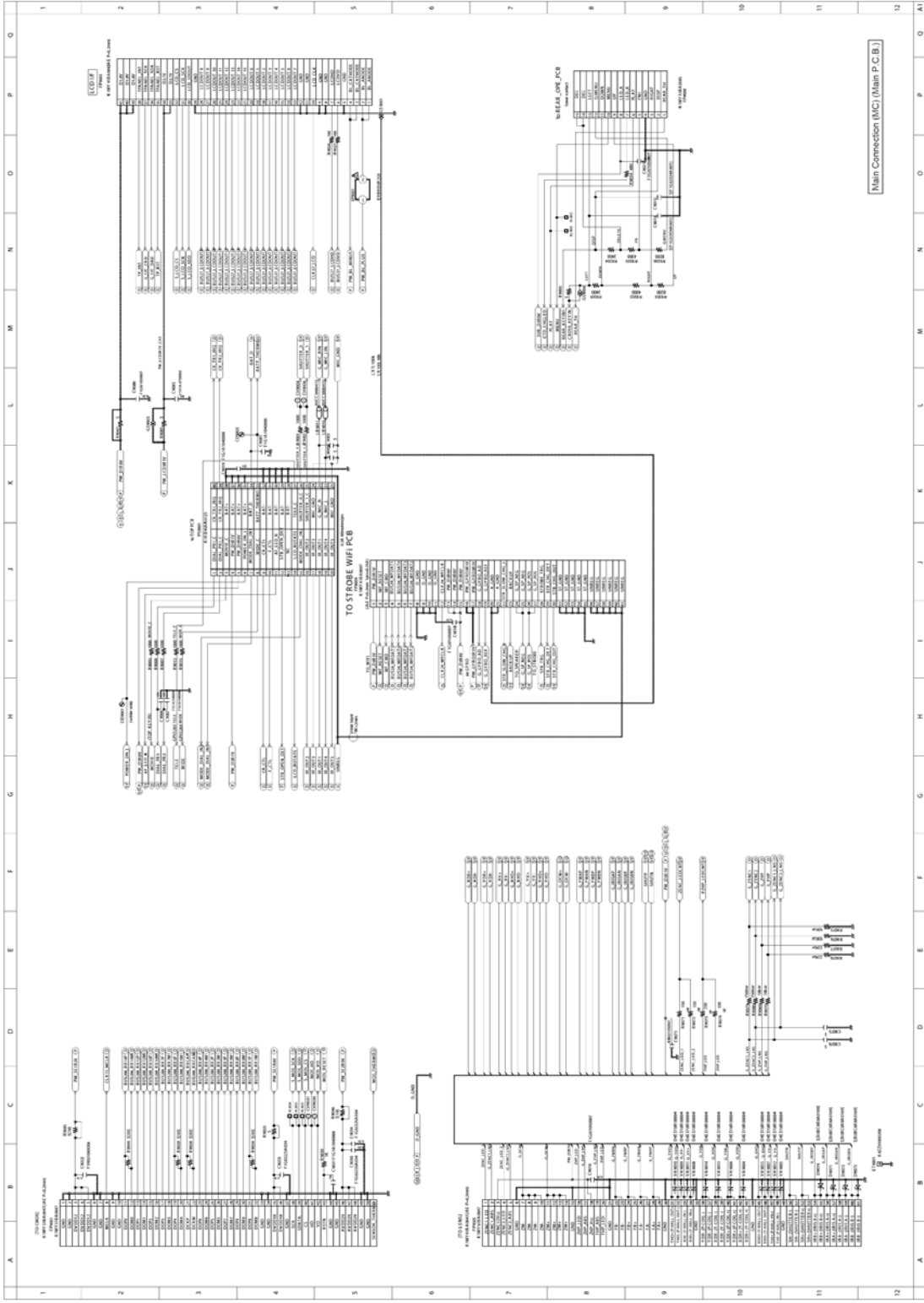
Gyro (GY) (Main P.C.B.)

Model No. : DMC-LX15/LX10/LX9 EX. Driver (EX/ED)(Main P.C.B.)

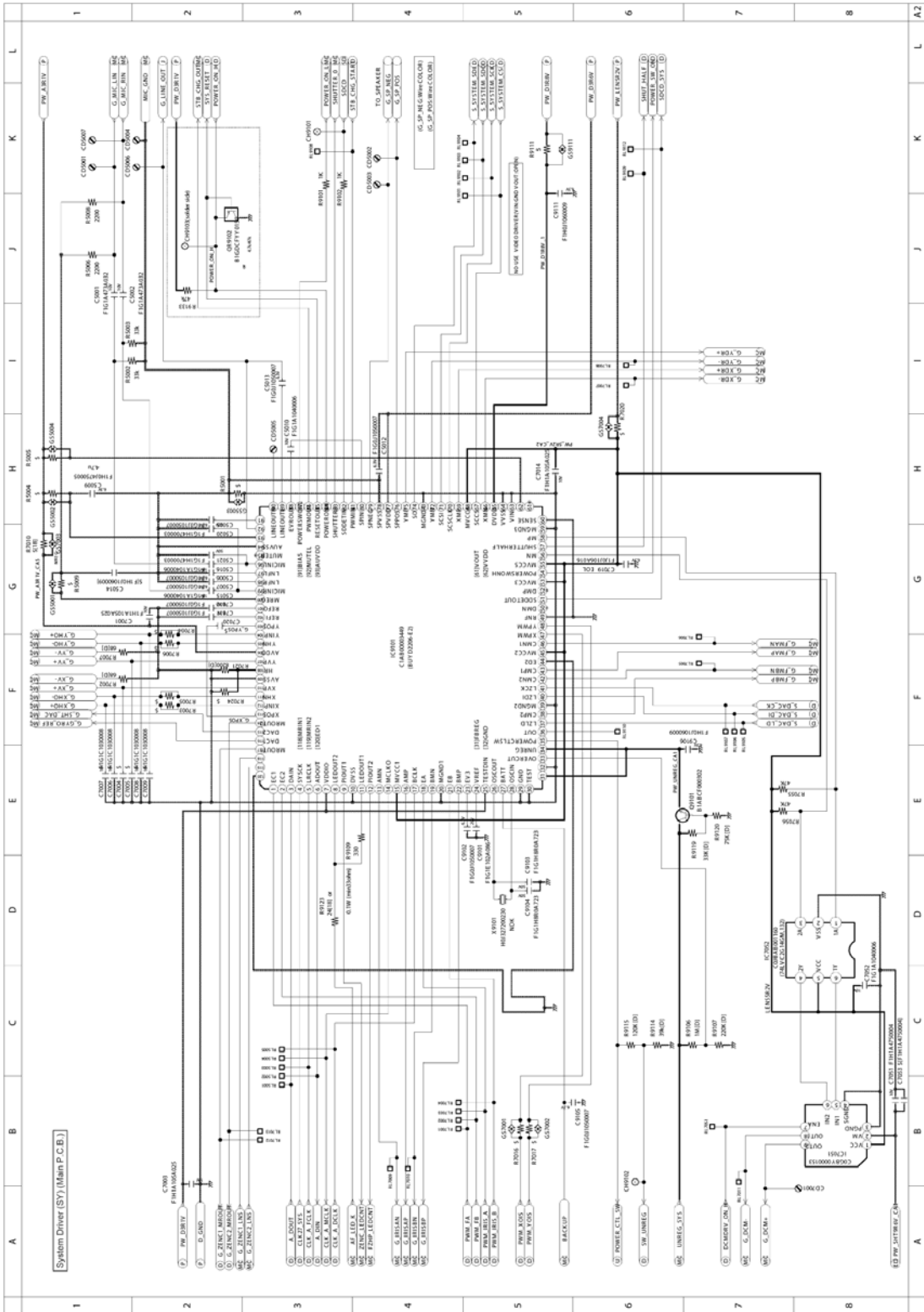


[EX. Driver (EX/ED)(Main P.C.B.)]

# Model No. : DMC-LX15/LX10/LX9 Main Connection (MC) (Main P.C.B.)

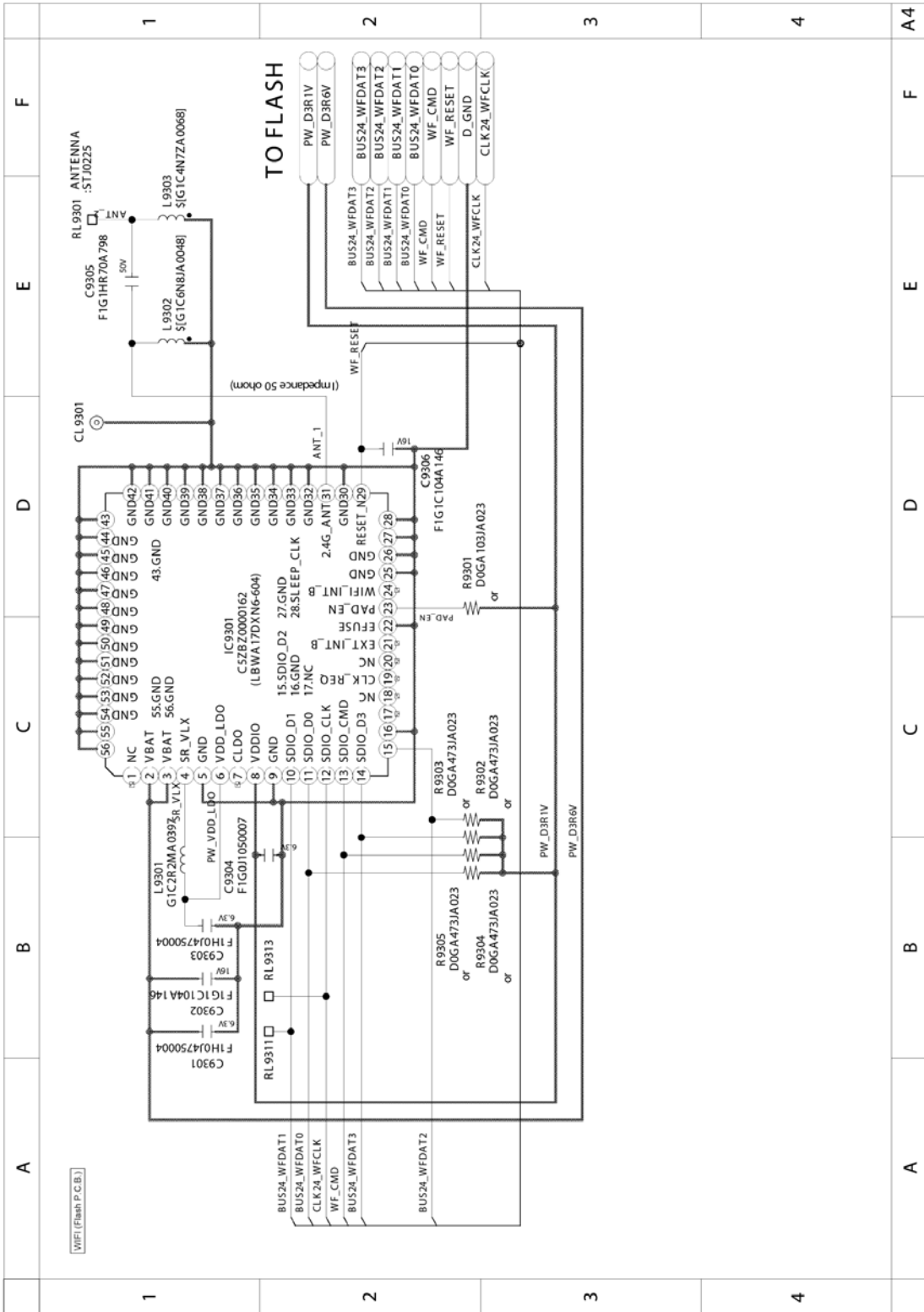


# Model No. : DMC-LX15/LX10/LX9 System Driver (SY) (Main P.C.B.)

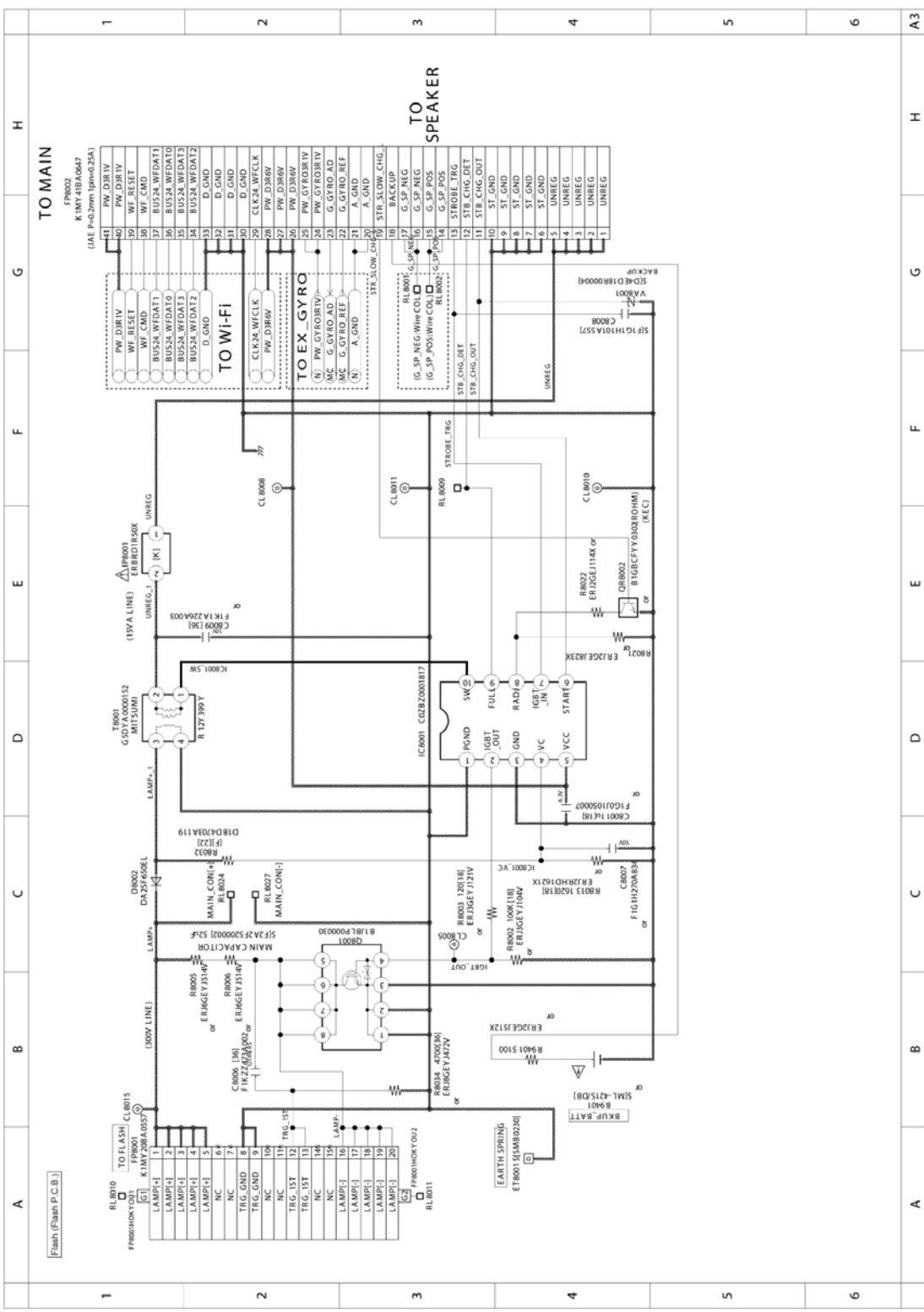




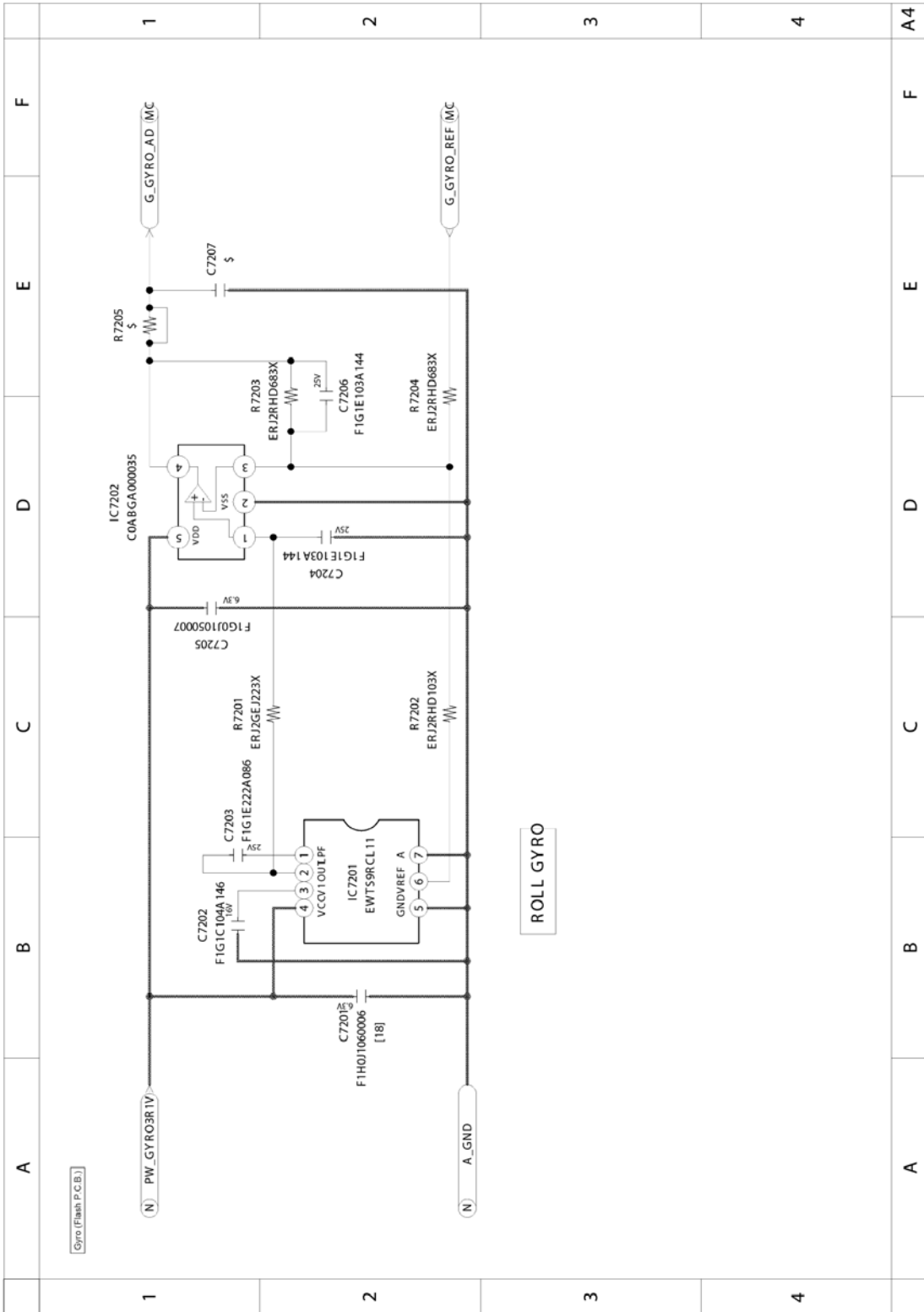
Model No. : DMC-LX15/LX10/LX9 WIFI (Flash P.C.B.)



# Model No. : DMC-LX15/LX10/LX9 Flash (Flash P.C.B.)



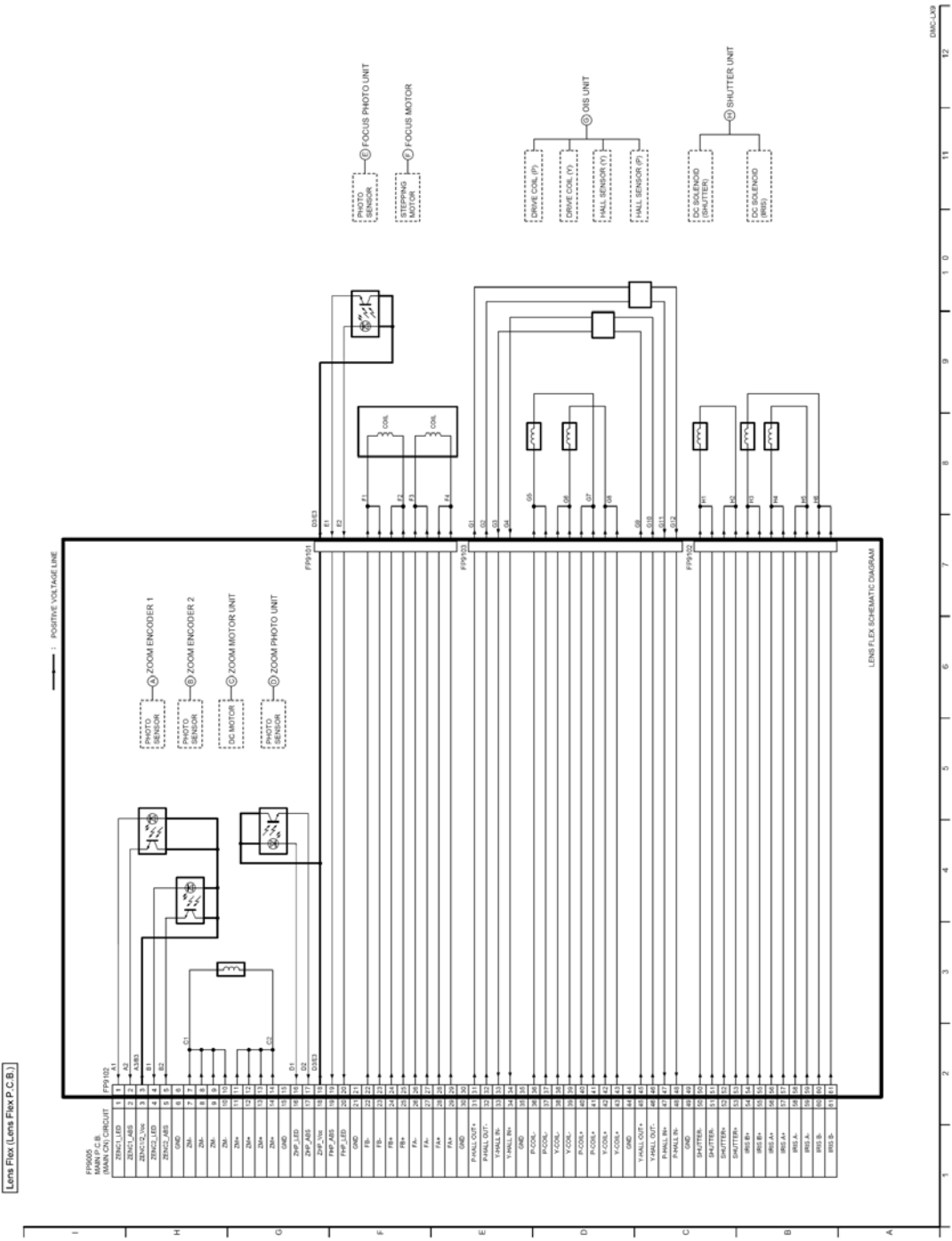
**Model No. : DMC-LX15/LX10/LX9 Gyro (Flash P.C.B.)**



ROLL GYRO



# Model No. : DMC-LX15/LX10/LX9 Lens Flex (Lens Flex P.C.B.)



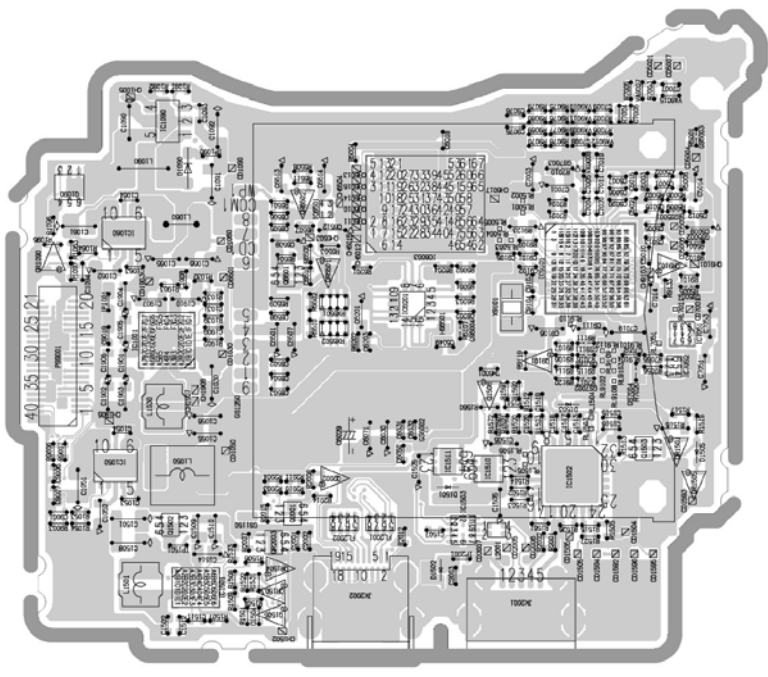
Lens Flex (Lens Flex P.C.B.)



---

**Model No. : DMC-LX15/LX10/LX9 Main P.C.B. (Component Side)**

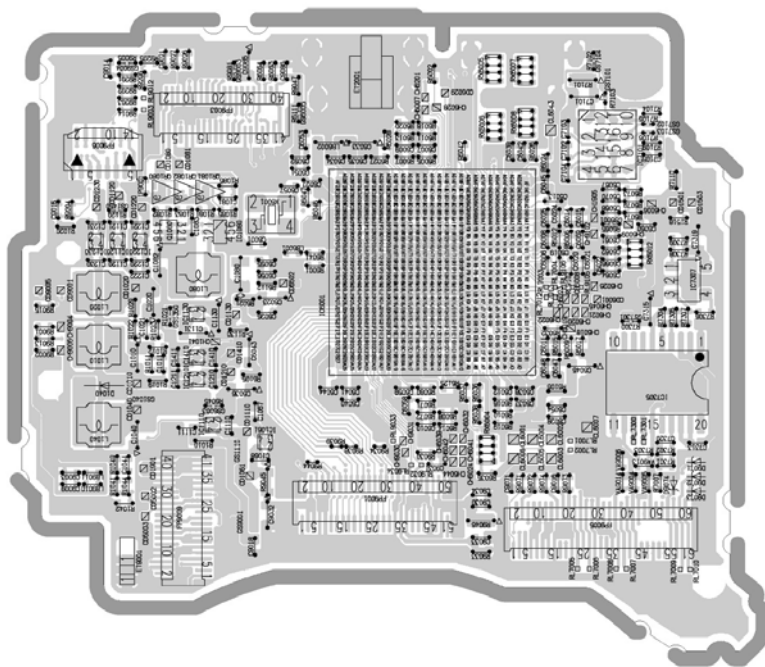
---



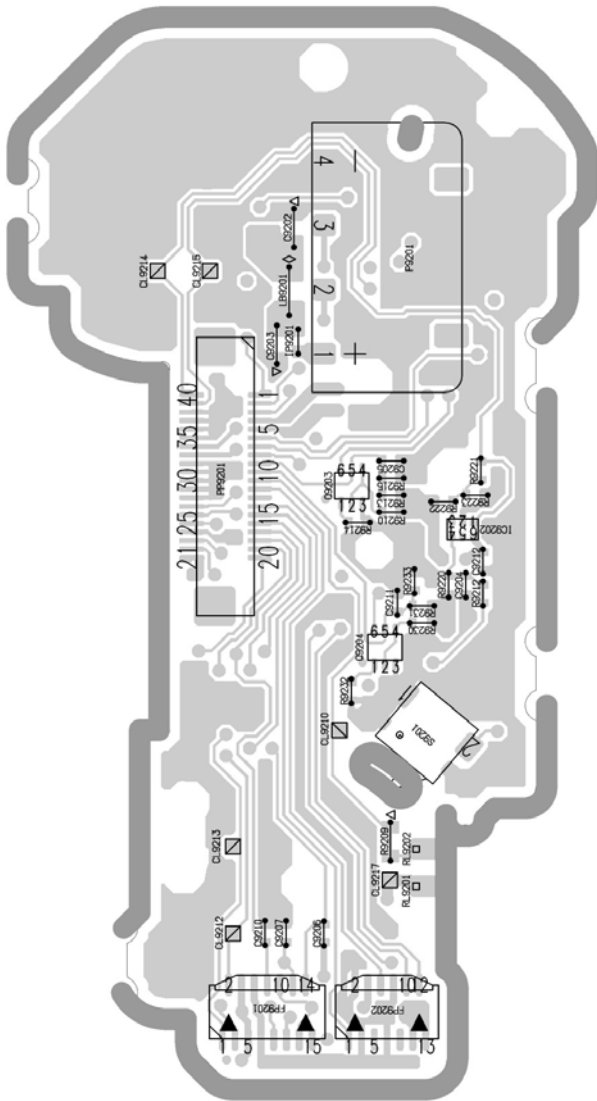
---

**Model No. : DMC-LX15/LX10/LX9 Main P.C.B. (Foil Side)**

---



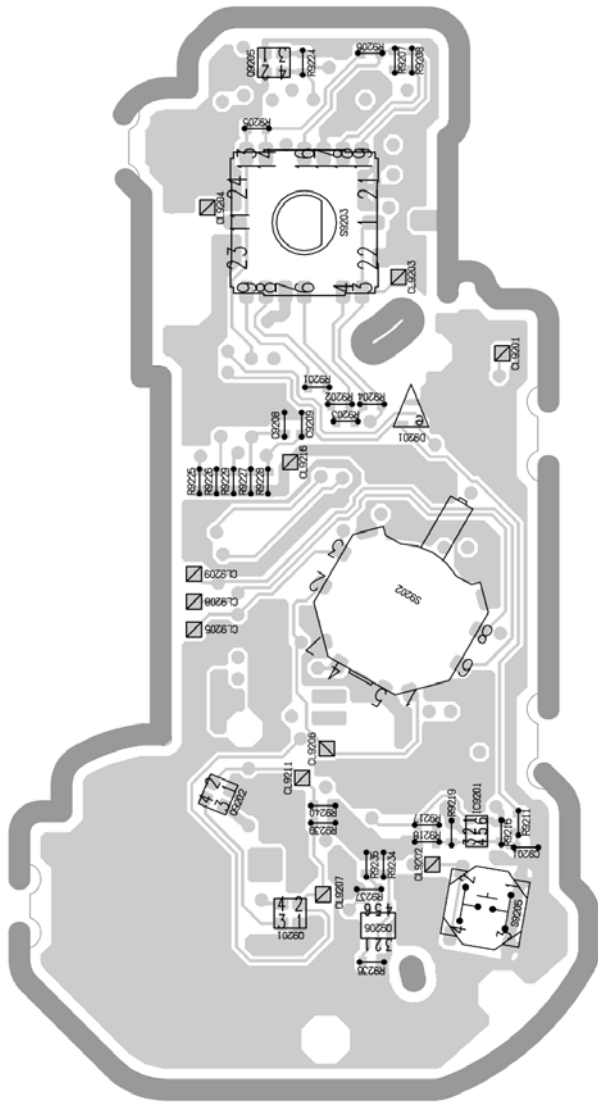
**Model No. : DMC-LX15/LX10/LX9 Top P.C.B. (Component Side)**



---

**Model No. : DMC-LX15/LX10/LX9 Top P.C.B. (Foil Side)**

---



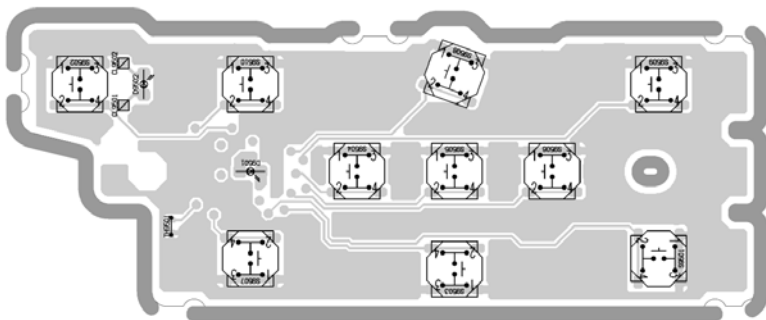




---

**Model No. : DMC-LX15/LX10/LX9 Rear Operation P.C.B. (Component Side)**

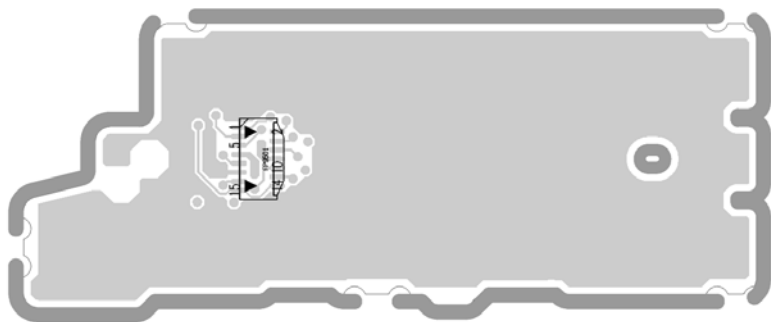
---



---

**Model No. : DMC-LX15/LX10/LX9 Rear Operation P.C.B. (Foil Side)**

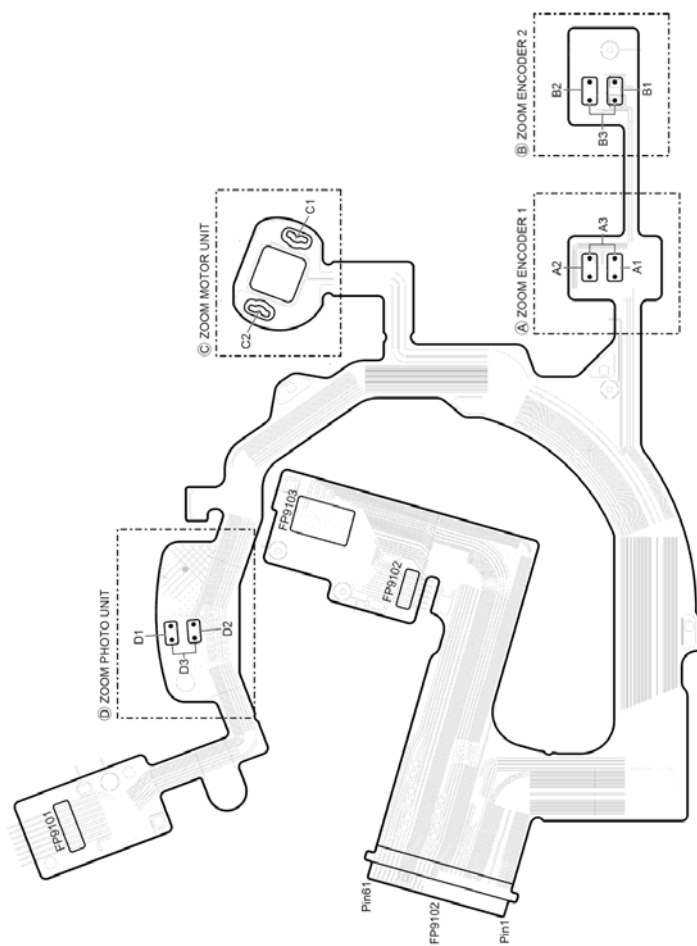
---



---

**Model No. : DMC-LX15/LX10/LX9 Lens Flex P.C.B.**

---



**Model No. : DMC-LX15/LX10/LX9 Parts List**

Change	Safety	Ref. No.	Part No.	Part Name & Description	Q'ty	Remarks
		C1010	F1H0J106A009	CAPACITOR	1	
		C1011	F1G1H330A834	CAPACITOR	1	
		C1020	F1H0J106A009	CAPACITOR	1	
		C1021	F1G1H680A834	CAPACITOR	1	
		C1030	F1J1A106A043	CAPACITOR	1	
		C1031	F1G1H270A834	CAPACITOR	1	
		C1040	F1H0J106A009	CAPACITOR	1	
		C1041	F1G1H4710004	CAPACITOR	1	
		C1051	F1J1A106A043	CAPACITOR	1	
		C1052	F1H1C105A167	CAPACITOR	1	
		C1053	F1G1H392A571	CAPACITOR	1	
		C1054	F1G1C104A146	CAPACITOR	1	
		C1055	F1H0J226A062	CAPACITOR	1	
		C1056	F1H0J106A009	CAPACITOR	1	
		C1061	F1J1A106A043	CAPACITOR	1	
		C1062	F1H1C105A167	CAPACITOR	1	
		C1063	F1G1H392A571	CAPACITOR	1	
		C1064	F1G1C104A146	CAPACITOR	1	
		C1065	F1H0J226A062	CAPACITOR	1	
		C1066	F1H0J106A009	CAPACITOR	1	
		C1067	F1G0J1050007	CAPACITOR	1	
		C1068	F1G0J1050007	CAPACITOR	1	
		C1080	F1J1V1050001	CAPACITOR	1	
		C1081	F1G0J1050007	CAPACITOR	1	
		C1082	F1H1C105A167	CAPACITOR	1	
		C1083	F1G1C104A146	CAPACITOR	1	
		C1090	F1J1C106A059	CAPACITOR	1	
		C1091	F1J1C106A059	CAPACITOR	1	
		C1092	F1J1C106A059	CAPACITOR	1	
		C1093	F1G1H331A541	CAPACITOR	1	
		C1094	F1G0J1050007	CAPACITOR	1	
		C1110	F1G0J1050007	CAPACITOR	1	
		C1111	F1G0J1050007	CAPACITOR	1	
		C1120	F1G0J1050007	CAPACITOR	1	
		C1121	F1G0J1050007	CAPACITOR	1	
		C1130	F1H1C105A167	CAPACITOR	1	
		C1131	F1H1C105A167	CAPACITOR	1	
		C1210	F1G0J1050007	CAPACITOR	1	
		C1211	F1G0J1050007	CAPACITOR	1	
		C1220	F1G0J1050007	CAPACITOR	1	
		C1221	F1G0J1050007	CAPACITOR	1	
		C1230	F1G0J1050007	CAPACITOR	1	
		C1231	F1G0J1050007	CAPACITOR	1	
		C1410	F1G0J1050007	CAPACITOR	1	
		C1411	F1G0J1050007	CAPACITOR	1	
		C1501	F1J1A106A043	CAPACITOR	1	
		C1502	F1G1C104A146	CAPACITOR	1	
		C1504	F1G0J1050007	CAPACITOR	1	
		C1505	F1H1C105A167	CAPACITOR	1	
		C1506	F1H0J1060006	CAPACITOR	1	
		C1507	F1G1C104A146	CAPACITOR	1	
		C1508	F1J1A106A043	CAPACITOR	1	
		C1509	F1H1C105A167	CAPACITOR	1	
		C1510	F1H1C105A167	CAPACITOR	1	
		C1511	F1G1A2240008	CAPACITOR	1	
		C1512	F1G1C104A146	CAPACITOR	1	
		C1513	F1G1C104A146	CAPACITOR	1	
		C1514	F1H1C105A167	CAPACITOR	1	
		C1515	F1G0J1050007	CAPACITOR	1	
		C1516	F1G0J1050007	CAPACITOR	1	
		C1517	F1G0J1050007	CAPACITOR	1	
		C1518	F1G1H1020008	CAPACITOR	1	

**Model No. : DMC-LX15/LX10/LX9 Parts List**

Change	Safety	Ref. No.	Part No.	Part Name & Description	Q'ty	Remarks
		C1519	F1G1C1030008	CAPACITOR	1	
		C1525	F1H1C105A167	CAPACITOR	1	
		C1901	F1H1A4750004	CAPACITOR	1	
		C1902	F1H1A4750004	CAPACITOR	1	
		C1903	F1H1A4750004	CAPACITOR	1	
		C1904	F1H1A4750004	CAPACITOR	1	
		C1905	F1H1C105A167	CAPACITOR	1	
		C1906	F1H1C105A167	CAPACITOR	1	
		C1907	F1H1C105A167	CAPACITOR	1	
		C1908	F1G1C1030008	CAPACITOR	1	
		C1909	F1G1C223A081	CAPACITOR	1	
		C1910	F1H1C105A167	CAPACITOR	1	
		C2001	F1G1C104A146	CAPACITOR	1	
		C2002	F1G0J1050007	CAPACITOR	1	
		C5001	F1G1A473A032	CAPACITOR	1	
		C5002	F1G1A473A032	CAPACITOR	1	
		C5005	F1G0J1050007	CAPACITOR	1	
		C5006	F1G0J1050007	CAPACITOR	1	
		C5007	F1G0J1050007	CAPACITOR	1	
		C5009	F1H0J4750004	CAPACITOR	1	
		C5010	F1G1C104A146	CAPACITOR	1	
		C5012	F1G0J1050007	CAPACITOR	1	
		C5013	F1G0J1050007	CAPACITOR	1	
		C5015	F1G1C104A146	CAPACITOR	1	
		C5016	F1G1C104A146	CAPACITOR	1	
		C5020	F1G1H4700003	CAPACITOR	1	
		C5021	F1G1H4700003	CAPACITOR	1	
		C6001	F1G1H9R0A723	CAPACITOR	1	
		C6006	F1G1C1030008	CAPACITOR	1	
		C6007	F1G1C104A146	CAPACITOR	1	
		C6008	F1G1C104A146	CAPACITOR	1	
		C6009	F1G1C104A146	CAPACITOR	1	
		C6010	F1G1C104A146	CAPACITOR	1	
		C6011	F1G1C104A146	CAPACITOR	1	
		C6012	F1G1C104A146	CAPACITOR	1	
		C6013	F1G1C104A146	CAPACITOR	1	
		C6014	F1G1C104A146	CAPACITOR	1	
		C6015	F1G1C104A146	CAPACITOR	1	
		C6018	F1G1C104A146	CAPACITOR	1	
		C6019	F1G1E102A086	CAPACITOR	1	
		C6020	F1G1E102A086	CAPACITOR	1	
		C6021	F1G1E102A086	CAPACITOR	1	
		C6022	F1G1E102A086	CAPACITOR	1	
		C6023	F1H0J1060009	CAPACITOR	1	
		C6024	F1G1C104A146	CAPACITOR	1	
		C6025	F1G1C1030008	CAPACITOR	1	
		C6026	F1G1C1030008	CAPACITOR	1	
		C6027	F1G1C1030008	CAPACITOR	1	
		C6028	F1G1C1030008	CAPACITOR	1	
		C6030	F1H0J1060009	CAPACITOR	1	
		C6031	F1G1C104A146	CAPACITOR	1	
		C6032	F1G1C1030008	CAPACITOR	1	
		C6033	F1H0J1060009	CAPACITOR	1	
		C6034	F1G1C104A146	CAPACITOR	1	
		C6035	F1G1C1030008	CAPACITOR	1	
		C6036	F1H0J1060009	CAPACITOR	1	
		C6037	F1G1C104A146	CAPACITOR	1	
		C6038	F1G1C1030008	CAPACITOR	1	
		C6039	F1G1C1030008	CAPACITOR	1	
		C6040	F1G1C104A146	CAPACITOR	1	
		C6041	F1G1C1030008	CAPACITOR	1	
		C6042	F1G1C1030008	CAPACITOR	1	

**Model No. : DMC-LX15/LX10/LX9 Parts List**

Change	Safety	Ref. No.	Part No.	Part Name & Description	Q'ty	Remarks
		C6044	F1G1C104A146	CAPACITOR	1	
		C6045	F1G1C1030008	CAPACITOR	1	
		C6046	F1H0J1060009	CAPACITOR	1	
		C6047	F1G1C104A146	CAPACITOR	1	
		C6048	F1G1C1030008	CAPACITOR	1	
		C6049	F1G1C104A146	CAPACITOR	1	
		C6050	F1G1C1030008	CAPACITOR	1	
		C6051	F1G1C104A146	CAPACITOR	1	
		C6052	F1G1C1030008	CAPACITOR	1	
		C6053	F1G1C1030008	CAPACITOR	1	
		C6054	F1G1C1030008	CAPACITOR	1	
		C6055	F1G1C104A146	CAPACITOR	1	
		C6056	F1G1C1030008	CAPACITOR	1	
		C6057	F1G1H100A723	CAPACITOR	1	
		C6058	F1G1E102A086	CAPACITOR	1	
		C6059	F1G1C1030008	CAPACITOR	1	
		C6061	F1G1C1030008	CAPACITOR	1	
		C6062	F1G1C1030008	CAPACITOR	1	
		C6064	F1G1C1030008	CAPACITOR	1	
		C6066	F1G1C1030008	CAPACITOR	1	
		C6067	F1G1C1030008	CAPACITOR	1	
		C6068	F1G1C1030008	CAPACITOR	1	
		C6069	F1G1C1030008	CAPACITOR	1	
		C6070	F1G1C1030008	CAPACITOR	1	
		C6071	F1H0J1060009	CAPACITOR	1	
		C6201	F1H0J4750004	CAPACITOR	1	
		C6202	F1G1C104A146	CAPACITOR	1	
		C6203	F1G1C104A146	CAPACITOR	1	
		C6502	F1G1H5R0A831	CAPACITOR	1	
		C6503	F1G1H5R0A831	CAPACITOR	1	
		C6504	F1G1H5R0A831	CAPACITOR	1	
		C6505	F1G1H5R0A831	CAPACITOR	1	
		C6506	F1G1H5R0A831	CAPACITOR	1	
		C6507	F1H0J1060006	CAPACITOR	1	
		C6509	F1H0J4750004	CAPACITOR	1	
		C6510	F1G1C1030008	CAPACITOR	1	
		C6512	F1H1C105A167	CAPACITOR	1	
		C6513	F1H1C105A167	CAPACITOR	1	
		C6514	F1H1C105A167	CAPACITOR	1	
		C7001	F1H1C105A167	CAPACITOR	1	
		C7003	F1H1C105A167	CAPACITOR	1	
		C7006	F1G1C1030008	CAPACITOR	1	
		C7007	F1G1C1030008	CAPACITOR	1	
		C7008	F1G1C1030008	CAPACITOR	1	
		C7009	F1G1C1030008	CAPACITOR	1	
		C7010	F1G0J1050007	CAPACITOR	1	
		C7011	F1G0J1050007	CAPACITOR	1	
		C7014	F1H1C105A167	CAPACITOR	1	
		C7019	F1J0J106A016	CAPACITOR	1	
		C7051	F1H1A4750004	CAPACITOR	1	
		C7052	F1G1C104A146	CAPACITOR	1	
		C7101	F1H0J4750004	CAPACITOR	1	
		C7102	F1G1C104A146	CAPACITOR	1	
		C7103	F1G1C104A146	CAPACITOR	1	
		C7104	F1G1C104A146	CAPACITOR	1	
		C7105	F1G1C104A146	CAPACITOR	1	
		C7201	F1H0J1060006	CAPACITOR	1	
		C7202	F1G1C104A146	CAPACITOR	1	
		C7203	F1G1E222A086	CAPACITOR	1	
		C7204	F1G1E103A144	CAPACITOR	1	
		C7205	F1G0J1050007	CAPACITOR	1	
		C7206	F1G1E103A144	CAPACITOR	1	

**Model No. : DMC-LX15/LX10/LX9 Parts List**

Change	Safety	Ref. No.	Part No.	Part Name & Description	Q'ty	Remarks
		C7315	F1H1E105A144	CAPACITOR	1	
		C7319	F1H1E105A144	CAPACITOR	1	
		C8001	F1G0J1050007	CAPACITOR	1	
		C8006	F1KZZ473A002	CAPACITOR	1	
		C8007	F1G1H270A834	CAPACITOR	1	
		C8009	F1K1A226A003	CAPACITOR	1	
		C9001	F1G1C104A146	CAPACITOR	1	
		C9006	F1G1C104A146	CAPACITOR	1	
		C9007	F1G1C104A146	CAPACITOR	1	
		C9016	F1G0J1050007	CAPACITOR	1	
		C9018	F1G0J1050007	CAPACITOR	1	
		C9019	F1G1C104A146	CAPACITOR	1	
		C9021	F1G0J1050007	CAPACITOR	1	
		C9030	F1G0J225A034	CAPACITOR	1	
		C9031	F1G1C104A146	CAPACITOR	1	
		C9032	F1H0J1060006	CAPACITOR	1	
		C9033	F1G0J225A034	CAPACITOR	1	
		C9034	F1G0J225A034	CAPACITOR	1	
		C9071	F1G0J1050007	CAPACITOR	1	
		C9085	F1H1A4750004	CAPACITOR	1	
		C9086	F1G0J1050007	CAPACITOR	1	
		C9101	F1G1E102A086	CAPACITOR	1	
		C9102	F1G0J1050007	CAPACITOR	1	
		C9103	F1G1H8R0A723	CAPACITOR	1	
		C9104	F1G1H8R0A723	CAPACITOR	1	
		C9105	F1G0J1050007	CAPACITOR	1	
		C9106	F1H0J1060009	CAPACITOR	1	
		C9111	F1H0J1060009	CAPACITOR	1	
		C9201	F1G1H101A557	CAPACITOR	1	
		C9203	F1H1C105A167	CAPACITOR	1	
		C9204	F1G1H101A557	CAPACITOR	1	
		C9206	F1G1C1030008	CAPACITOR	1	
		C9207	F1G1C1030008	CAPACITOR	1	
		C9208	F1G1C1030008	CAPACITOR	1	
		C9209	F1G1C1030008	CAPACITOR	1	
		C9210	F1G1C1030008	CAPACITOR	1	
		D1040	B0ACRC000001	DIODE	1	E.S.D.
		D1090	B0ACRC000001	DIODE	1	E.S.D.
		D1501	DB2S31100L	DIODE	1	E.S.D.
		D1502	DB2S31100L	DIODE	1	E.S.D.
		D8002	DA2SF650EL	DIODE	1	E.S.D.
		D9201	B0BD5R6A0013	DIODE	1	E.S.D.
		D9501	B3AAB0000343	DIODE	1	E.S.D.
		ET9001	K4ZZ01000208	EARTH TERMINAL	1	
		FL2001	EXC28CH900U	FILTER	1	
		FL2002	EXC28CH900U	FILTER	1	
		FP8001	K1MY20BA0557	CONNECTOR 20P	1	
		FP8002	K1MY41BA0647	CONNECTOR 41P	1	
		FP9001	K1MY51BA0647	CONNECTOR 51P	1	
		FP9003	K1MY41BA0647	CONNECTOR 41P	1	
		FP9005	K1MY61BA0647	CONNECTOR 61P	1	
		FP9006	K1MY15BA0585	CONNECTOR 15P	1	
		FP9009	K1MY41BA0647	CONNECTOR 41P	1	
		FP9201	K1MY15BA0585	CONNECTOR 15P	1	
		FP9202	K1MY13BA0585	CONNECTOR 13P	1	
		FP9501	K1MY15BA0585	CONNECTOR 15P	1	
		HS6501	K1NA09E00151	SD CARD CONNECTOR	1	
		IC1001	C1ZBZ0005550	IC	1	E.S.D.
		IC1050	C0DBAYY02385	IC	1	E.S.D.
		IC1060	C0DBAYY02385	IC	1	E.S.D.
		IC1061	C0DBGYY05343	IC	1	E.S.D.
		IC1080	C0DBAYY02664	IC	1	E.S.D.

**Model No. : DMC-LX15/LX10/LX9 Parts List**

Change	Safety	Ref. No.	Part No.	Part Name & Description	Q'ty	Remarks
		IC1090	C0DBAY02118	IC	1	E.S.D.
		IC1110	C0DBGY03640	IC	1	E.S.D.
		IC1120	C0DBGY03614	IC	1	E.S.D.
		IC1130	C0DBGY03678	IC	1	E.S.D.
		IC1210	C0DBGY05360	IC	1	E.S.D.
		IC1220	C0DBGY03614	IC	1	E.S.D.
		IC1230	C0DBGY03614	IC	1	E.S.D.
		IC1410	C0DBGY03640	IC	1	E.S.D.
		IC1501	C12BZ0005562	IC	1	E.S.D.
		IC1502	SUBF000022	IC	1	E.S.D. [INBD]
		IC1503	C1CB00004574	IC	1	E.S.D.
		IC1510	C0DBGY02368	IC	1	E.S.D.
		IC1511	C0DBGY06165	IC	1	E.S.D.
		IC6001	SCG0002	IC	1	E.S.D.
		IC6003	RS10904	IC	1	E.S.D.
		IC6201	L2EE00000038	IC	1	E.S.D.
		IC7051	C0GBY0000153	IC	1	E.S.D.
		IC7052	C0JBAB001160	IC	1	E.S.D.
		IC7101	EWTS9PDL1A	IC	1	E.S.D. [INBD]
		IC7201	EWTS9RCL1A	IC	1	E.S.D. [INBD]
		IC7202	C0ABGA000035	IC	1	E.S.D.
		IC7305	C0GBY0000241	IC	1	E.S.D.
		IC7307	C0ABAA000055	IC	1	E.S.D.
		IC8001	C0ZBZ0001817	IC	1	E.S.D.
		IC9101	C1AB00003449	IC	1	E.S.D.
		IC9201	C0BBAA000116	IC	1	E.S.D.
		IC9202	C0BBAA000116	IC	1	E.S.D.
	⚠	IP1001	ERBRDOR75X	FUSE	1	
	⚠	IP1090	ERBRDOR75X	FUSE	1	
	⚠	IP1501	ERBRDOR75X	FUSE	1	
	⚠	IP2001	ERBRD2R00X	FUSE	1	
	⚠	IP8001	ERBRD1R50X	FUSE	1	
	⚠	IP9001	ERBRDOR25X	FUSE	1	
	⚠	IP9201	ERBRD2R50X	FUSE	1	
		JK2001	K1FY105E0014	JACK, USB	1	
		JK2002	K1FY119E0057	JACK	1	
		L1010	G1C150MA0392	CHIP INDUCTOR	1	
		L1020	G1C150MA0392	CHIP INDUCTOR	1	
		L1030	G1C150MA0392	CHIP INDUCTOR	1	
		L1040	G1C4R7MA0392	CHIP INDUCTOR	1	
		L1050	G1C1R5MA0943	CHIP INDUCTOR	1	
		L1060	G1C2R2MA0498	CHIP INDUCTOR	1	
		L1080	G1C100MA0392	CHIP INDUCTOR	1	
		L1090	G1C4R7MA0203	CHIP INDUCTOR	1	
		L1501	G1C2R2MA0392	CHIP INDUCTOR	1	
		L2001	EXC24CE900U	CHIP INDUCTOR	1	
		LB6002	J0JFC0000006	CHIP INDUCTOR	1	
		LB9010	J0JCC0000415	CHIP INDUCTOR	1	
		LB9011	J0JCC0000415	CHIP INDUCTOR	1	
		LB9201	J0JHC0000048	FILTER	1	
		P9201	K4ZZ04000059	CONNECTOR 4P	1	
		PP9201	K1KA40BA0342	CONNECTOR 40P	1	
		PS9001	K1KB40AA0123	CONNECTOR 40P	1	
		Q1080	MTM861280LBF	TRANSISTOR	1	
		Q1090	B1CHQC000019	TRANSISTOR	1	
		Q1502	B1CHPB000008	TRANSISTOR	1	
		Q1503	FC6943010R	TRANSISTOR	1	
		Q1508	B1ABCF000302	TRANSISTOR	1	
		Q2001	FC6943010R	TRANSISTOR	1	
		Q2002	FK3303010L	TRANSISTOR	1	
		Q6501	MTM861270LBF	TRANSISTOR	1	
		Q8001	B1JBLP000030	TRANSISTOR	1	

**Model No. : DMC-LX15/LX10/LX9 Parts List**

Change	Safety	Ref. No.	Part No.	Part Name & Description	Q'ty	Remarks
		Q9101	B1ABCF000302	TRANSISTOR	1	
		Q9201	B3NBB0000009	PHOTO COUPLER	1	
		Q9202	B3NBB0000009	PHOTO COUPLER	1	
		Q9203	B1HFCFA00035	TRANSISTOR	1	
		Q9204	B1HFCFA00035	TRANSISTOR	1	
		Q9205	B3NBB0000009	TRANSISTOR	1	
		Q9206	B1HFCFA00035	TRANSISTOR	1	
		QR1080	B1GBCFYY0217	TRANSISTOR-RESISTOR	1	
		QR1081	B1GBCFYY0218	TRANSISTOR-RESISTOR	1	
		QR1082	B1GBCFYY0218	TRANSISTOR-RESISTOR	1	
		QR1090	B1GBCFYY0217	TRANSISTOR-RESISTOR	1	
		QR1503	B1GBCFYY0220	TRANSISTOR-RESISTOR	1	
		QR1504	B1GBCFYY0224	TRANSISTOR-RESISTOR	1	
		QR1505	B1GBCFYY0224	TRANSISTOR-RESISTOR	1	
		QR2003	B1GKCFYY0029	TRANSISTOR-RESISTOR	1	
		QR6501	B1GBCFYY0217	TRANSISTOR-RESISTOR	1	
		QR6502	B1GDCFY0150	TRANSISTOR-RESISTOR	1	
		QR8002	B1GBCFYY0302	TRANSISTOR-RESISTOR	1	
		QR9102	B1GDCFY0150	TRANSISTOR-RESISTOR	1	
		R1011	D1BA5602A022	RESISTOR	1	
		R1012	D1BA1602A022	RESISTOR	1	
		R1022	D1BA6802A022	RESISTOR	1	
		R1023	D1BA2402A022	RESISTOR	1	
		R1031	D1BA1103A022	RESISTOR	1	
		R1032	D1BA2002A022	RESISTOR	1	
		R1041	D1BA1502A022	RESISTOR	1	
		R1042	D1BA6802A022	RESISTOR	1	
		R1044	D1BA3302A022	RESISTOR	1	
		R1053	D1BA1002A022	RESISTOR	1	
		R1054	D1BA3002A022	RESISTOR	1	
		R1063	D1BA2202A022	RESISTOR	1	
		R1064	D1BA2002A022	RESISTOR	1	
		R1081	D1BA14R0A023	RESISTOR	1	
		R1082	D0GA473JA023	RESISTOR	1	
		R1083	D0GA103JA023	RESISTOR	1	
		R1085	D0GA152JA023	RESISTOR	1	
		R1086	D0GA223JA023	RESISTOR	1	
		R1091	D1BA6802A022	RESISTOR	1	
		R1092	D1BA1002A022	RESISTOR	1	
		R1095	D0GA103JA023	RESISTOR	1	
		R1096	D0GA103JA023	RESISTOR	1	
		R1097	D0GA103JA023	RESISTOR	1	
		R1501	D1BA1002A022	RESISTOR	1	
		R1507	D0GA470JA023	RESISTOR	1	
		R1508	D0GA332JA023	RESISTOR	1	
		R1509	D0GA332JA023	RESISTOR	1	
		R1511	D1BA2703A022	RESISTOR	1	
		R1512	D1BA1203A022	RESISTOR	1	
		R1513	D0GA103JA023	RESISTOR	1	
		R1517	D0GA153JA023	RESISTOR	1	
		R1522	D1BA3001A022	RESISTOR	1	
		R1531	D1BA8201A022	RESISTOR	1	
		R1560	D0GA104JA023	RESISTOR	1	
		R1561	D0GA104JA023	RESISTOR	1	
		R1573	D0GA104JA023	RESISTOR	1	
		R1591	D0GA334JA023	RESISTOR	1	
		R1592	D0GA104JA023	RESISTOR	1	
		R1902	D0GA104JA023	RESISTOR	1	
		R1903	D1BA8202A022	RESISTOR	1	
		R2002	D0GA561JA023	RESISTOR	1	
		R2003	D0GA472JA023	RESISTOR	1	
		R2004	D0GA472JA023	RESISTOR	1	

**Model No. : DMC-LX15/LX10/LX9 Parts List**

Change	Safety	Ref. No.	Part No.	Part Name & Description	Q'ty	Remarks
		R2007	D0GA473JA023	RESISTOR	1	
		R2008	D0GA273JA023	RESISTOR	1	
		R2010	D0GA330JA023	RESISTOR	1	
		R2011	D0GA330JA023	RESISTOR	1	
		R2014	D0GA202JA023	RESISTOR	1	
		R2015	D0GA202JA023	RESISTOR	1	
		R5002	D0GA333JA023	RESISTOR	1	
		R5003	D0GA333JA023	RESISTOR	1	
		R5006	D0GA222JA023	RESISTOR	1	
		R5008	D0GA222JA023	RESISTOR	1	
		R6004	D0GA103JA023	RESISTOR	1	
		R6005	D1BA5100A022	RESISTOR	1	
		R6006	D1BA5100A022	RESISTOR	1	
		R6007	D1BA5100A022	RESISTOR	1	
		R6008	D1BA5100A022	RESISTOR	1	
		R6009	D1BA5100A022	RESISTOR	1	
		R6010	D1BA5100A022	RESISTOR	1	
		R6011	D1BA5100A022	RESISTOR	1	
		R6012	D1BA5100A022	RESISTOR	1	
		R6013	D1BA5100A022	RESISTOR	1	
		R6014	D1BA5100A022	RESISTOR	1	
		R6015	D1BA5100A022	RESISTOR	1	
		R6016	D1BA5100A022	RESISTOR	1	
		R6017	D1BA2400A022	RESISTOR	1	
		R6018	D1BA2400A022	RESISTOR	1	
		R6019	D1BA2400A022	RESISTOR	1	
		R6020	D1BA2400A022	RESISTOR	1	
		R6026	D1BA6801A022	RESISTOR	1	
		R6027	D1BA4701A022	RESISTOR	1	
		R6028	D1BA2000A022	RESISTOR	1	
		R6032	D0GA470JA023	RESISTOR	1	
		R6035	D0GA473JA023	RESISTOR	1	
		R6041	D0GA270JA023	RESISTOR	1	
		R6042	D0GA680JA023	RESISTOR	1	
		R6046	D0GA105JA023	RESISTOR	1	
		R6047	D0GA102JA023	RESISTOR	1	
		R6061	D0GA302JA023	RESISTOR	1	
		R6062	D0GA302JA023	RESISTOR	1	
		R6063	D0GA302JA023	RESISTOR	1	
		R6064	D0GA302JA023	RESISTOR	1	
		R6071	D1BA8201A022	RESISTOR	1	
		R6072	D1BA1002A022	RESISTOR	1	
		R6073	D0GA472JA023	RESISTOR	1	
		R6074	D0GA472JA023	RESISTOR	1	
		R6079	D0GA103JA023	RESISTOR	1	
		R6080	D0GA102JA023	RESISTOR	1	
		R6125	D0GAR00J0005	RESISTOR	1	
		R6501	D0GA102JA023	RESISTOR	1	
		R6502	D0GA223JA023	RESISTOR	1	
		R6504	D0GA104JA023	RESISTOR	1	
		R6505	D0GA103JA023	RESISTOR	1	
		R6510	D0GA680JA023	RESISTOR	1	
		R7002	D1BA68R0A022	RESISTOR	1	
		R7007	D1BA68R0A022	RESISTOR	1	
		R7021	D1BA8201A022	RESISTOR	1	
		R7055	D0GA473JA023	RESISTOR	1	
		R7056	D0GA473JA023	RESISTOR	1	
		R7201	D0GA223JA023	RESISTOR	1	
		R7202	D1BA1002A022	RESISTOR	1	
		R7203	D1BA6802A022	RESISTOR	1	
		R7204	D1BA6802A022	RESISTOR	1	
		R7303	D0GA103JA023	RESISTOR	1	

**Model No. : DMC-LX15/LX10/LX9 Parts List**

Change	Safety	Ref. No.	Part No.	Part Name & Description	Q'ty	Remarks
		R7305	D1BAR680A079	RESISTOR	1	
		R7306	D1BA4702A022	RESISTOR	1	
		R7307	D1BA1002A022	RESISTOR	1	
		R7308	D1BA1002A022	RESISTOR	1	
		R7309	D1BA4702A022	RESISTOR	1	
		R8002	D0GB104JA065	RESISTOR	1	
		R8003	D0GB121JA065	RESISTOR	1	
		R8005	D0GD514JA052	RESISTOR	1	
		R8006	D0GD514JA052	RESISTOR	1	
		R8013	ERJ2RHD1621	RESISTOR	1	
		R8021	D0GA823JA023	RESISTOR	1	
		R8022	D0GA114JA023	RESISTOR	1	
		R8032	D1BD4703A119	RESISTOR	1	
		R8034	D0GF472JA048	RESISTOR	1	
		R9001	D0GA102JA023	RESISTOR	1	
		R9002	D0GA102JA023	RESISTOR	1	
		R9003	D0GA102JA023	RESISTOR	1	
		R9006	D0GA332JA023	RESISTOR	1	
		R9007	D0GA332JA023	RESISTOR	1	
		R9013	D0GA102JA023	RESISTOR	1	
		R9014	D0GA681JA023	RESISTOR	1	
		R9015	D0GA102JA023	RESISTOR	1	
		R9026	D0GA101JA023	RESISTOR	1	
		R9027	D0GA101JA023	RESISTOR	1	
		R9030	D0GA102JA023	RESISTOR	1	
		R9069	D0GA183JA023	RESISTOR	1	
		R9070	D0GA183JA023	RESISTOR	1	
		R9071	D0GA151JA023	RESISTOR	1	
		R9072	D0GA151JA023	RESISTOR	1	
		R9073	D0GA331JA023	RESISTOR	1	
		R9074	D0GA331JA023	RESISTOR	1	
		R9075	D0GA103JA023	RESISTOR	1	
		R9076	D0GA103JA023	RESISTOR	1	
		R9077	D0GA223JA023	RESISTOR	1	
		R9078	D0GA223JA023	RESISTOR	1	
		R9079	D0GA752JA023	RESISTOR	1	
		R9080	D0GA752JA023	RESISTOR	1	
		R9101	D0GA102JA023	RESISTOR	1	
		R9102	D0GA102JA023	RESISTOR	1	
		R9106	ERJ2RKD105X	RESISTOR	1	
		R9107	D1BA2203A022	RESISTOR	1	
		R9109	D0GA331JA023	RESISTOR	1	
		R9114	D1BA3902A022	RESISTOR	1	
		R9115	D1BA1203A022	RESISTOR	1	
		R9119	D1BA3302A022	RESISTOR	1	
		R9120	D1BA7502A022	RESISTOR	1	
		R9123	D0GB240JA065	RESISTOR	1	
		R9133	D0GA473JA023	RESISTOR	1	
		R9201	D0GA242JA023	RESISTOR	1	
		R9201	D0GA682JA023	RESISTOR	1	
		R9202	D0GA432JA023	RESISTOR	1	
		R9202	D0GA332JA023	RESISTOR	1	
		R9203	D0GA822JA023	RESISTOR	1	
		R9203	D0GA222JA023	RESISTOR	1	
		R9204	D0GA242JA023	RESISTOR	1	
		R9204	D0GA102JA023	RESISTOR	1	
		R9205	D0GA432JA023	RESISTOR	1	
		R9205	D0GA102JA023	RESISTOR	1	
		R9206	D0GA822JA023	RESISTOR	1	
		R9206	D0GA222JA023	RESISTOR	1	
		R9207	D0GA332JA023	RESISTOR	1	
		R9208	D0GA682JA023	RESISTOR	1	

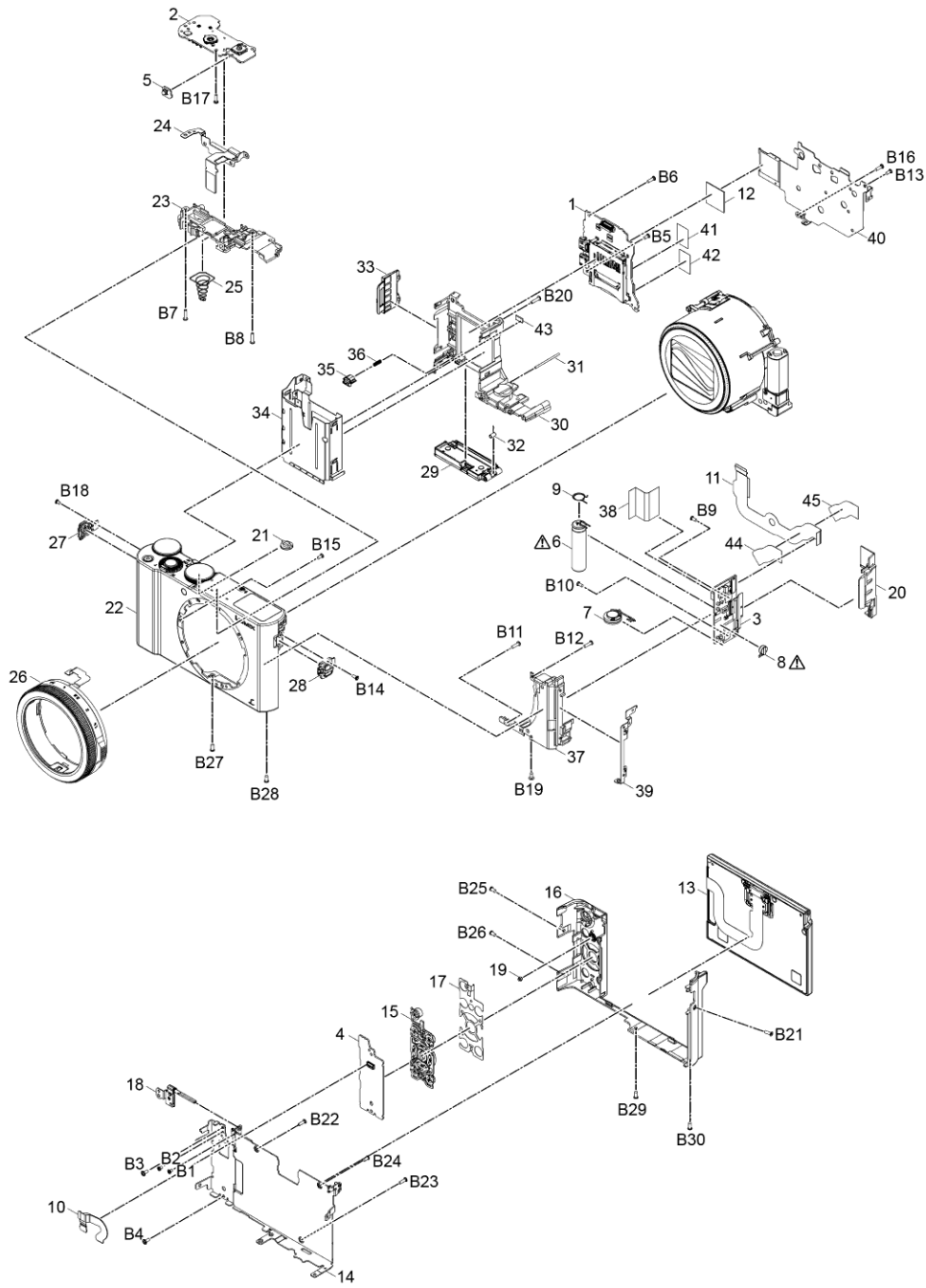
**Model No. : DMC-LX15/LX10/LX9 Parts List**

Change	Safety	Ref. No.	Part No.	Part Name & Description	Q'ty	Remarks
		R9210	D1BA3001A022	RESISTOR	1	
		R9213	D1BA2202A022	RESISTOR	1	
		R9214	D1BA75R0A022	RESISTOR	1	
		R9215	D1BA2201A022	RESISTOR	1	
		R9216	D1BA2002A022	RESISTOR	1	
		R9217	D1BA2703A022	RESISTOR	1	
		R9218	D1BA1502A022	RESISTOR	1	
		R9219	D1BA2202A022	RESISTOR	1	
		R9220	D1BA2002A022	RESISTOR	1	
		R9221	D1BA2703A022	RESISTOR	1	
		R9222	D1BA1502A022	RESISTOR	1	
		R9223	D1BA2202A022	RESISTOR	1	
		R9225	D1BA6802A022	RESISTOR	1	
		R9226	D1BA6802A022	RESISTOR	1	
		R9227	D1BA6802A022	RESISTOR	1	
		R9228	D1BA6802A022	RESISTOR	1	
		R9229	D1BA6802A022	RESISTOR	1	
		R9230	D1BA3001A022	RESISTOR	1	
		R9231	D1BA2202A022	RESISTOR	1	
		R9232	ERJ2RKD360X	RESISTOR	1	
		R9233	D1BA2201A022	RESISTOR	1	
		R9234	D0GA472JA023	RESISTOR	1	
		R9235	D1BA2202A022	RESISTOR	1	
		R9236	D1BA75R0A022	RESISTOR	1	
		R9237	D1BA1002A022	RESISTOR	1	
		R9239	D0GA473JA023	RESISTOR	1	
		R9240	D0GA473JA023	RESISTOR	1	
		RX6005	D1H81014A042	RESISTOR NETWORKS	1	
		RX6006	D1H81014A042	RESISTOR NETWORKS	1	
		RX6007	D1H81014A042	RESISTOR NETWORKS	1	
		RX6008	D1H81014A042	RESISTOR NETWORKS	1	
		RX6012	D1H81034A042	RESISTOR NETWORKS	1	
		RX6501	D1H84734A042	RESISTOR NETWORKS	1	
		RX6502	D1H86804A042	RESISTOR NETWORKS	1	
		S9201	K0L1BA000152	SWITCH	1	
		S9202	K0MZ26000005	SWITCH	1	
		S9203	K0G119A00046	SWITCH	1	
		S9205	K0F111A00583	SWITCH	1	
		S9501	K0F111A00583	SWITCH	1	
		S9502	K0F111A00583	SWITCH	1	
		S9503	K0F111A00583	SWITCH	1	
		S9504	K0F111A00583	SWITCH	1	
		S9505	K0F111A00583	SWITCH	1	
		S9506	K0F111A00583	SWITCH	1	
		S9507	K0F111A00583	SWITCH	1	
		S9508	K0F111A00583	SWITCH	1	
		S9509	K0F111A00583	SWITCH	1	
		S9510	K0F111A00583	SWITCH	1	
		T8001	G5DYA0000152	TRANSFORMER	1	
		TH6001	D4CC11030013	THERMISTORS	1	
		TH9501	D4CC11030013	THERMISTORS	1	
		VA9004	D4ED18R00004	VARISTOR	1	
		VA9005	D4ED18R00004	VARISTOR	1	
		VA9006	D4ED18R00004	VARISTOR	1	
		VA9007	D4ED18R00004	VARISTOR	1	
		VA9008	D4ED18R00004	VARISTOR	1	
		VA9009	D4ED18R00004	VARISTOR	1	
		VA9010	D4ED18R00004	VARISTOR	1	
		VA9011	D4ED18R00004	VARISTOR	1	
		VA9012	D4ED18R00004	VARISTOR	1	
		VA9013	D4ED18R00004	VARISTOR	1	
		VA9014	D4ED18R00004	VARISTOR	1	

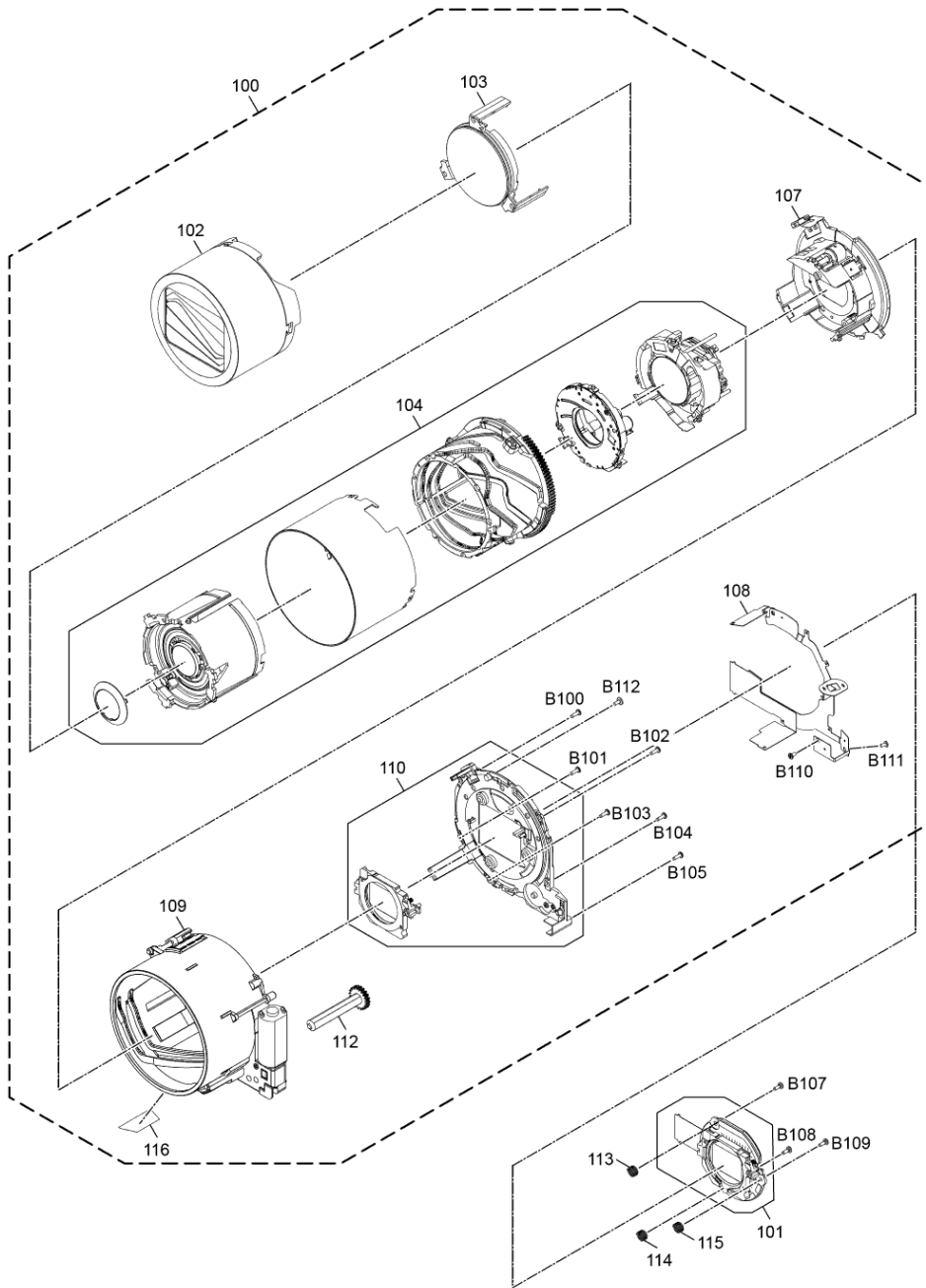
**Model No. : DMC-LX15/LX10/LX9 Parts List**

Change	Safety	Ref. No.	Part No.	Part Name & Description	Q'ty	Remarks
		VA9015	D4ED18R00004	VARISTOR	1	
		X6001	H0J240500048	CRYSTAL OSCILLATOR	1	
		X9101	H0J327200230	CRYSTAL OSCILLATOR	1	

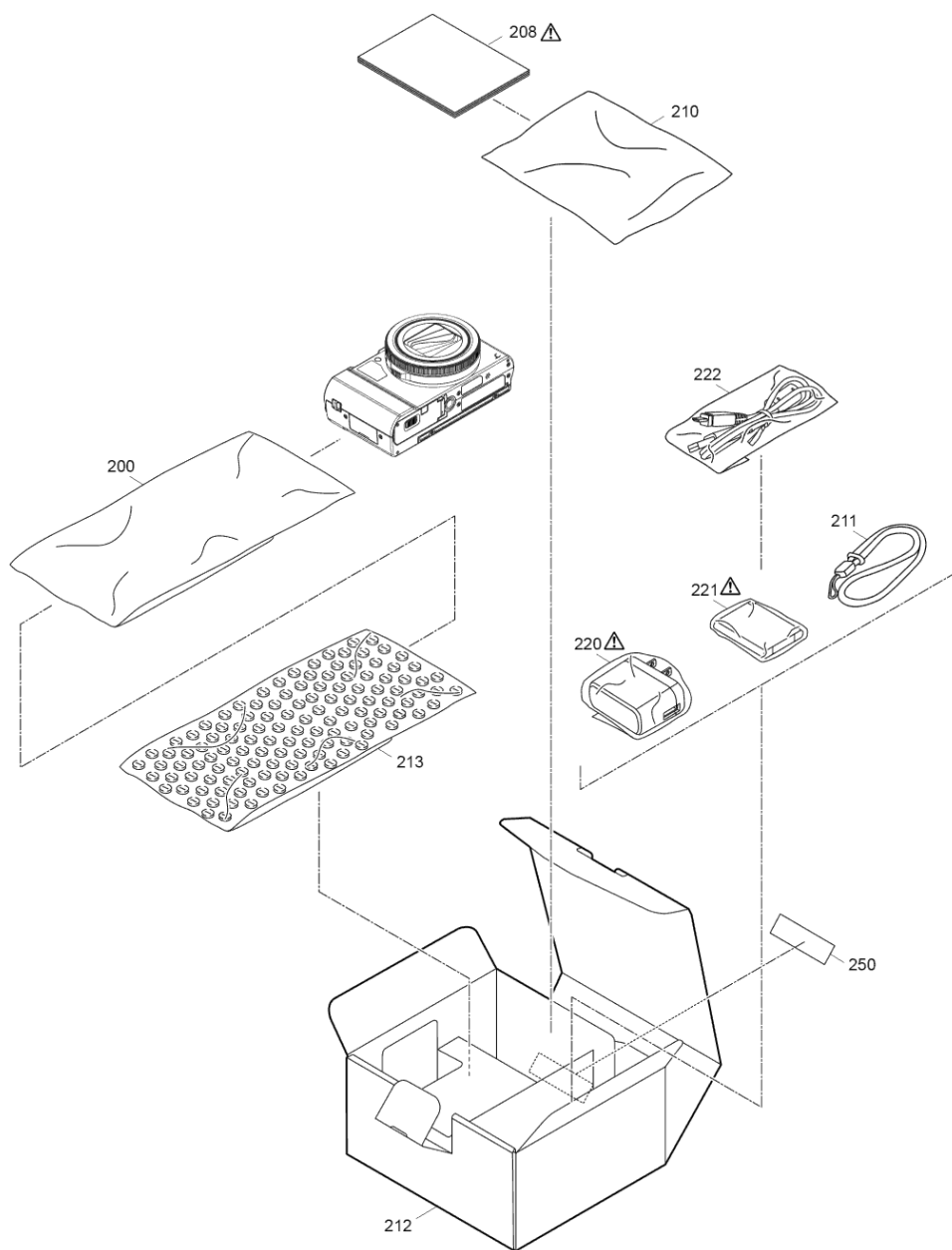
# Model No. : DMC-LX15/LX10/LX9 Frame and Casing Section



**Model No. : DMC-LX15/LX10/LX9 Camera Lens Section**

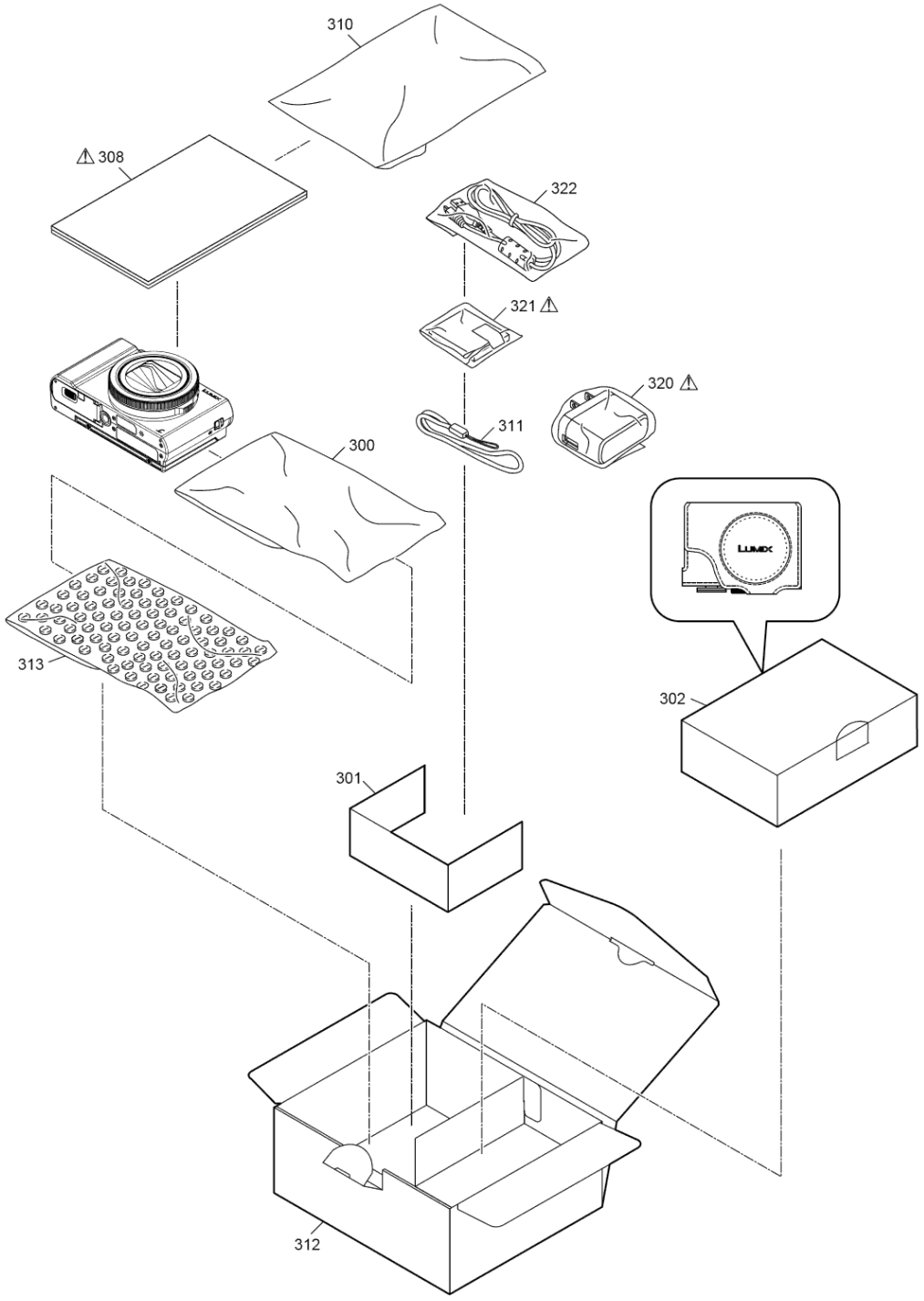


**Model No. : DMC-LX15/LX10/LX9 Packing Parts and Accessories Section(1)(LX10/15)**



**Directions for putting GD LABEL.**  
 \* Stick the GD LABEL (Ref. No.250)  
 for [ GD ] model on the original printed place.

**Model No. : DMC-LX15/LX10/LX9 Packing Parts and Accessories Section(2)(LX9)**



**Model No. : DMC-LX15/LX10/LX9 Parts List**

Change	Safety	Ref. No.	Part No.	Part Name & Description	Q'ty	Remarks
		1	SEP0892AB	MAIN P.C.B.	1	(RTL)E.S.D. LX15EG, LX15EP, LX15EF, LX15EB
		1	SEP0892AA	MAIN P.C.B.	1	(RTL)E.S.D. LX15EE, LX10P, LX10PP, LX10GA, LX10GH, LX10GT, LX10GK, LX10GN, LX10GD, LX9SG
		2	SEP0893AA	TOP P.C.B.	1	(RTL)E.S.D.
		3	SEQ0164	WI-FI/FLASH P.C.B. UNIT	1	E.S.D.
		4	SEP0957AA	REAR OPERATION P.C.B.	1	(RTL)E.S.D.
		5	SEP0956AA	AF LED P.C.B.	1	
	⚠	6	F2A2F5200002	E.CAPACITOR	1	
		7	L0AA01A00168	SPEAKER	1	
	⚠	8	ML-421S/DB	BUTTON BATTERY	1	(B9401)
		9	SMB0230	EARTH SPRING	1	
		10	STJ0221	REAR OPERATION FPC	1	
		11	STJ0222	FLASH-MAIN FPC	1	
		12	VMT2265	PAD	1	
		13	SYK1621	LCD UNIT	1	
		14	SYQ0851	REAR PLATE UNIT	1	
		15	SGU0372	CURSOR BUTTON	1	
		16	SKK0446K	REAR CASE	1	
		17	SMP0363	CURSOR PLATE	1	
		18	SXD0035	LCD HINGE UNIT	1	
		19	VGL1476	REAR PANEL LIGHT	1	
		20	SGQ0906	FRAME C	1	
		21	SGQ0691	MODE PLATE	1	
		22	SYK1624	FRONT CASE UNIT	1	
		23	SGQ0845	CATCHER COVER	1	
		24	SYQ0856	TOP EARTH PLATE UNIT	1	
		25	SMB0229	BATTERY OUT SPRING	1	
		26	SYQ0857	LENS RING UNIT	1	
		27	SYQ0848	STRAP COVER (L) UNIT	1	
		28	SYQ0849	STRAP COVER (R) UNIT	1	
		29	SYF0093	BATTERY DOOR UNIT	1	
		30	SYQ0853	FRAME UNIT	1	
		31	DVDF1023Z	BATTERY DOOR SHAFT	1	
		32	DVUR1017Z	BATTERY DOOR SPRING	1	
		33	SKF0159K	JACK COVER	1	
		34	SMP0358	BATTERY CASE	1	
		35	VGU0Q87	BATTERY LOCK KNOB	1	
		36	VMB4304	BATTERY LOCK SPRING	1	
		37	SGQ0847	FRAME B	1	
		38	SGS0098	PCB SHEET A	1	
		39	SMP0353	SIDE FRAME	1	
		40	SMP0359	MAIN HEAT SINK	1	
		41	VGQ0X00	LCD FPC SHEET	1	
		42	VGQ0X00	LCD FPC SHEET	1	
		43	DVMC1022Z	GASKET	1	
		44	DVMX1002Z	INSULATION SHEET B	1	
		45	DVMX1001Z	INSULATION SHEET A	1	
		B1	VHD2462	SCREW	1	
		B2	VHD2462	SCREW	1	
		B3	VHD2536	SCREW	1	
		B4	VHD2536	SCREW	1	
		B5	VHD2194	SCREW	1	
		B6	VHD2369	SCREW	1	
		B7	XQN14+BJ6FJK	SCREW	1	
		B8	XQN14+BJ6FJK	SCREW	1	
		B9	VHD2194	SCREW	1	
		B10	VHD2194	SCREW	1	
		B11	VHD2139	SCREW	1	
		B12	VHD2139	SCREW	1	
		B13	VHD2194	SCREW	1	

**Model No. : DMC-LX15/LX10/LX9 Parts List**

Change	Safety	Ref. No.	Part No.	Part Name & Description	Q'ty	Remarks
		B14	VHD2194	SCREW	1	
		B15	VHD2194	SCREW	1	
		B16	VHD2369	SCREW	1	
		B17	VHD2369	SCREW	1	
		B18	VHD2462	SCREW	1	
		B19	VHD2536	SCREW	1	
		B20	XQN14+BJ6FJK	SCREW	1	
		B21	VHD2240	SCREW	1	
		B22	VHD2300	SCREW	1	
		B23	VHD2300	SCREW	1	
		B24	VHD2325	SCREW	1	
		B25	VHD2325	SCREW	1	
		B26	VHD2325	SCREW	1	
		B27	VHD2473	SCREW	1	
		B28	VHD2473	SCREW	1	
		B29	VHD2473	SCREW	1	
		B30	VHD2473	SCREW	1	
		100	10U1Z245Z	LENS UNIT (W/O MOS)	1	
		101	SEQ0165	MOS UNIT	1	
		102	SXP0136	1ST LENS FRAME UNIT	1	
		103	SXP0137	2ND LENS FRAME UNIT	1	
		104	20U1Z245Z	3RD-4TH LENS FRAME UNIT	1	
		107	SXP0143	5TH LENS MOVING FRAME UNIT	1	
		108	SEP0981AA	LENS FPC UNIT	1	
		109	SXQ0753	FIX FRAME UNIT	1	
		110	SXP0145	6TH LENS FRAME/MASTER FLANGE UNIT	1	
		112	SMD0074	DRIVE GEAR	1	
		113	VMB4601	TILT SPRING	1	
		114	VMB4601	TILT SPRING	1	
		115	VMB4601	TILT SPRING	1	
		116	SZT0313	FPC TAPE	1	
		B100	VHD2390	SCREW	1	
		B101	VHD2390	SCREW	1	
		B102	VHD2390	SCREW	1	
		B103	VHD2390	SCREW	1	
		B104	VHD2390	SCREW	1	
		B105	VHD2390	SCREW	1	
		B107	VHD2388	SCREW	1	
		B108	VHD2388	SCREW	1	
		B109	VHD2388	SCREW	1	
		B110	VHD2492	SCREW	1	
		B111	VHD2492	SCREW	1	
		B112	VHD2451	SCREW	1	
		200	SPF0065	CAMERA BAG	1	EXCEPT LX9SG
	⚠	208	SQT1383	BASIC O/I (GERMAN)	1	LX15EG
	⚠	208	SQT1384	BASIC O/I (FRENCH)	1	LX15EG, LX15EF
	⚠	208	SQT1385	BASIC O/I (ITALIAN)	1	LX15EG
	⚠	208	SQT1386	BASIC O/I (DUTCH)	1	LX15EG, LX15EF
	⚠	208	SQT1387	BASIC O/I (SPANISH)	1	LX15EG
	⚠	208	SQT1388	BASIC O/I (PORTUGUESE)	1	LX15EG
	⚠	208	SQT1389	BASIC O/I (FINNISH)	1	LX15EP
	⚠	208	SQT1390	BASIC O/I (DANISH)	1	LX15EP
	⚠	208	SQT1391	BASIC O/I (SWEDISH)	1	LX15EP
	⚠	208	SQT1392	BASIC O/I (POLISH)	1	LX15EP
	⚠	208	SQT1393	BASIC O/I (CZECH)	1	LX15EP
	⚠	208	SQT1394	BASIC O/I (HUNGARIAN)	1	LX15EP
	⚠	208	SQT1395	BASIC O/I (ENGLISH)	1	LX15EB
	⚠	208	SQT1396	BASIC O/I (RUSSIAN)	1	LX15EE
	⚠	208	SQT1397	BASIC O/I (UKRAINIAN)	1	LX15EE
	⚠	208	SQT1380	BASIC O/I (ENGLISH)	1	LX10P, LX10PP
	⚠	208	SQT1381	BASIC O/I (SPANISH)	1	LX10P, LX10PP
	⚠	208	SQT1382	BASIC O/I (FRENCH)	1	LX10PP

**Model No. : DMC-LX15/LX10/LX9 Parts List**

Change	Safety	Ref. No.	Part No.	Part Name & Description	Q'ty	Remarks
	⚠	208	SQT1398	BASIC O/I (ENGLISH)	1	LX10GA, LX10GH
	⚠	208	SQT1399	BASIC O/I (CHINESE (TRADITIONAL))	1	LX10GA, LX10GH
	⚠	208	SQT1402	BASIC O/I (CHINESE (TRADITIONAL))	1	LX10GT
	⚠	208	SQT1403	BASIC O/I (CHINESE (SIMPLIFIED))	1	LX10GK
	⚠	208	SQT1404	BASIC O/I (ENGLISH)	1	LX10GN
	⚠	208	SQT1405	BASIC O/I (KOREAN)	1	LX10GD
		210	VPF1553	POLY BAG	1	EXCEPT LX9SG
		211	VFC4297	HAND STRAP	1	EXCEPT LX9SG
		212	SPK0224	PACKING CASE	1	LX15EG, LX15EP, LX15EF, LX15EB, LX15EE
		212	SPK0223	PACKING CASE	1	LX10P, LX10PP
		212	SPK0225	PACKING CASE	1	LX10GA, LX10GH, LX10GT, LX10GN, LX10GD
		212	SPK0226	PACKING CASE	1	LX10GK
		213	SPF0014	BAG, BUBBLE WRAP	1	EXCEPT LX9SG
	⚠	220	SAE0012DA	AC ADAPTOR	1	LX15EG, LX15EP, LX15EF, LX15EE, LX10GA
	⚠	220	SAE0012FA	AC ADAPTOR	1	LX15EB, LX10GH
	⚠	220	SAE0012AA	AC ADAPTOR	1	LX10P, LX10PP, LX10GT
	⚠	220	SAE0012CA	AC ADAPTOR	1	LX10GK
	⚠	220	SAE0012GA	AC ADAPTOR	1	LX10GN
	⚠	220	SAE0012EA	AC ADAPTOR	1	LX10GD
	⚠	221	---	BATTERY PACK	1	EXCEPT LX9SG
		222	K1HY04YY0106	USB CABLE W/PLUG	1	EXCEPT LX9SG
		250	VQL2J61	GD LABEL	1	LX10GD
		300	SPF0065	CAMERA BAG	1	LX9SG
		301	SPN0543	PAD	1	LX9SG [INBD]
		302	SFC0385	SOFT CASE UNIT	1	LX9SG [INBD]
	⚠	308	SQT1400	BASIC O/I (ENGLISH)	1	LX9SG [INBD]
	⚠	308	SQT1401	BASIC O/I (CHINESE (SIMPLIFIED))	1	LX9SG [INBD]
		310	VPF1553	POLY BAG	1	LX9SG
		311	VFC4297	HAND STRAP	1	LX9SG
		312	SPK0227	PACKING CASE	1	LX9SG
		313	SPF0014	BAG, BUBBLE WRAP	1	LX9SG
	⚠	320	SAE0012BA	AC ADAPTOR	1	LX9SG
	⚠	321	---	BATTERY PACK	1	LX9SG
		322	K1HY04YY0106	USB CABLE W/PLUG	1	LX9SG