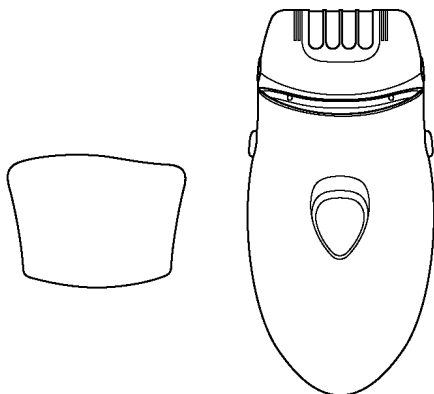


Service Manual

Epilator

ES2015-U1



SPECIFICATIONS

Power source	AC120V, 60Hz
Power consumption	Approx. 4W
Weight	120g (unit with the big epilation head)
	115g (unit with the shaver head)
Supplied accessories	Soft case
	Cleaning brush

WARNING

This service information is designed for experienced repair technicians only and is not designed for use by the general public. It does not contain warnings or cautions to advise non-technical individuals of potential dangers in attempting to service a product. Products powered by electricity should be serviced or repaired only by experienced professional technicians. Any attempt to service or repair the product or products dealt with in this service information by anyone else could result in serious injury or death.

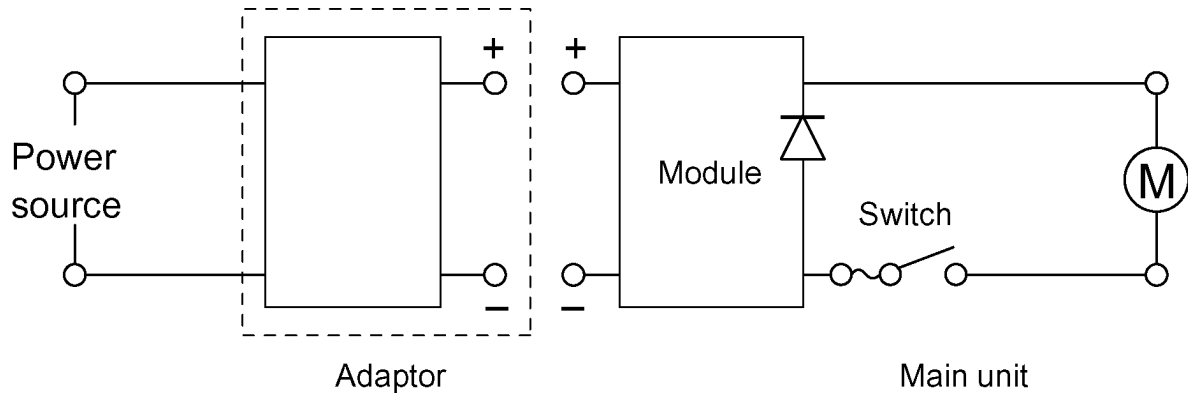
CONTENTS

	Page	Page	
1 SCHEMATIC DIAGRAM	2	3 REPLACEMENT PARTS LIST	3
2 EXPLODED VIEW	3		

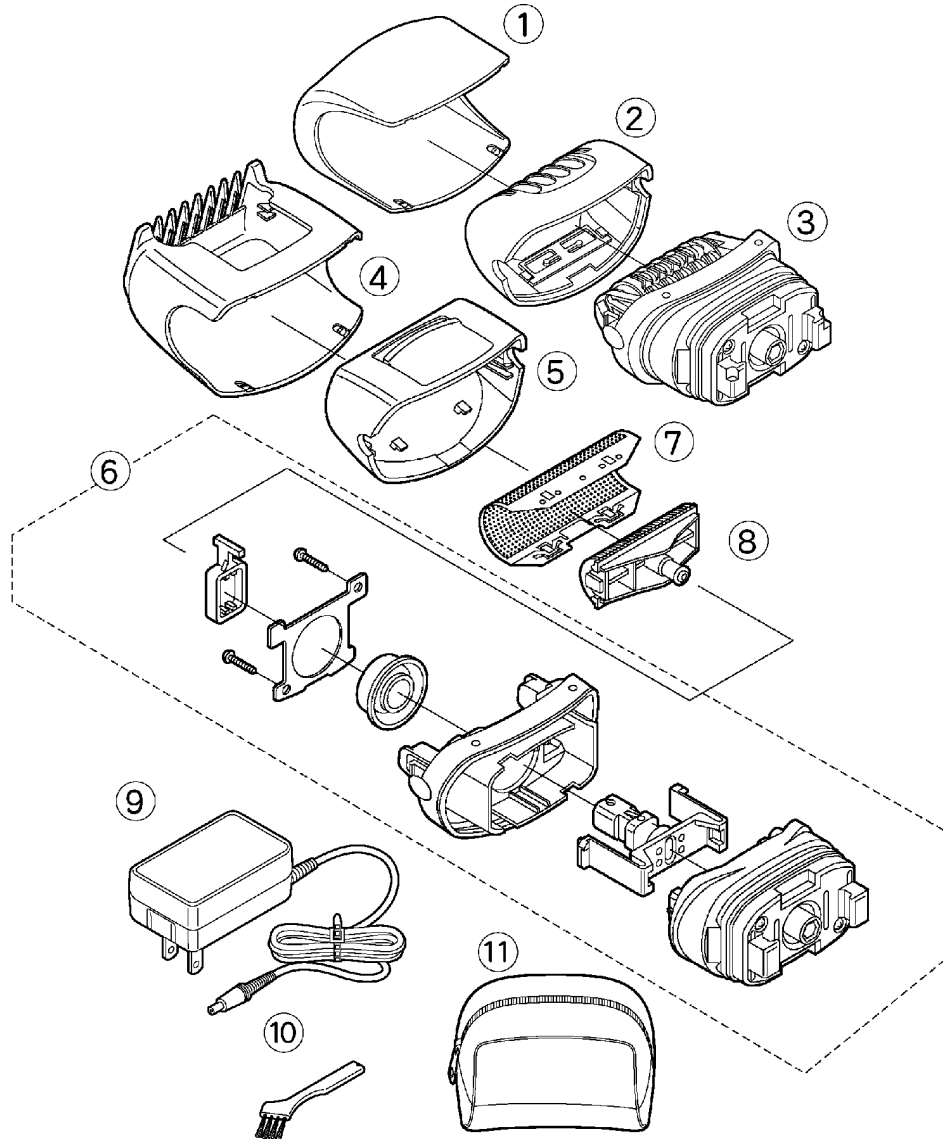
Panasonic®

© 2006 Matsushita Electric Works, Ltd. All rights reserved. Unauthorized copying and distribution is a violation of law.

1 SCHEMATIC DIAGRAM



2 EXPLODED VIEW



3 REPLACEMENT PARTS LIST

NOTE :

*A=available as an optional accessory

*B=only available as set

*C=available individually

Ref. No.	Part No.	Part Name & Description	Remarks	Per Unit
1	WES2027A7157	PROTECTIVE CAP	*C	(BG) 2
2	WES2015A3108	EPILATION ATTACHMENT WITH SKIN PROTECTOR		(BG) 1
3	WES2015W1068	EPILATION HEAD FOR LEGS/ARMS		(BG) 1
4	WES2015A3558	PRE-EPILATION COMB		(BG) 1
5	WES2015W4038	FOIL FRAME		(BG) 1
6	WES2015W0788	SHAVER HEAD		(BG) 1
7	WES9753P	OUTER FOIL		1
8	WES9752P	INNER BLADE		1
9	WES2015W7658	POWER ADAPTOR	A-2 PLUG	(BG) 1
10	WES76806761	CLEANING BRUSH		1
11	WES2004W7007	SOFT CASE		(BG) 1
-	WES2015A8108	OPERATING INSTRUCTIONS		(BG) 1