



Parts Manual Covering Model P14



WARNING

DO NOT store or use gasoline or other flammable vapors and liquids in the vicinity of this or any other appliance.

WARNING

Improper installation, alteration, adjustment, service or maintenance can cause property damage, injury or death. Read the installation, operating and maintenance instructions thoroughly before installing or servicing this appliance.

WARNING

Installation, maintenance and repairs should be performed by a Pitco Authorized Service and Parts (ASAP) company technician or other qualified personnel. Installation, maintenance or repairs by an unauthorized and unqualified personnel will void the warranty.

WARNING

Installation and all connections must be made according to national and local regulations and codes in force.

WARNING

During the warranty period if a customer elects to use a non-original part or modifies an original part purchased from Pitco and/or its Authorized Service and Parts (ASAP) companies, this warranty will be void. In addition, Pitco and its affiliates will not be liable for any claims, damages or expenses incurred by the customer which arises directly or indirectly, in whole or in part, due to the installation of any modified part and/or received from an unauthorized service center.

WARNING

This appliance, when installed, must be electrically grounded in accordance with local codes, or in the absence of local codes, with the National Electrical Code, ANSI/NFPA 70, or the Canadian Electrical Code, CSA C22.2, as applicable.

WARNING

If the appliance is equipped with a power cord and it is damaged, it must be replaced by a Pitco Authorized Service and Parts (ASAP) company technician, or a similarly qualified person in order to avoid a hazard.

WARNING

The power supply must be disconnected before servicing, maintaining or cleaning this appliance.

WARNING

The appliance is NOT jet stream approved. DO NOT clean the appliance with a water jet.

WARNING

DO NOT attempt to move this appliance or transfer hot liquids from one container to another when the unit is at operating temperature or filled with hot liquids. Serious personal injury could result if skin comes in contact with the hot surfaces or liquids.

WARNING

DO NOT sit or stand on this appliance. The appliance is not a step. Serious injury could result from slipping, falling or contact with hot liquids.

WARNING

The contents of the crumb catch and/or filter pan of any filter system must be emptied into a fireproof container at the end of the frying operation each day. Some food particles can spontaneously combust into flames if left soaking in certain oil/shortening materials.

WARNING

DO NOT operate appliance unless all panels and access covers are attached correctly.

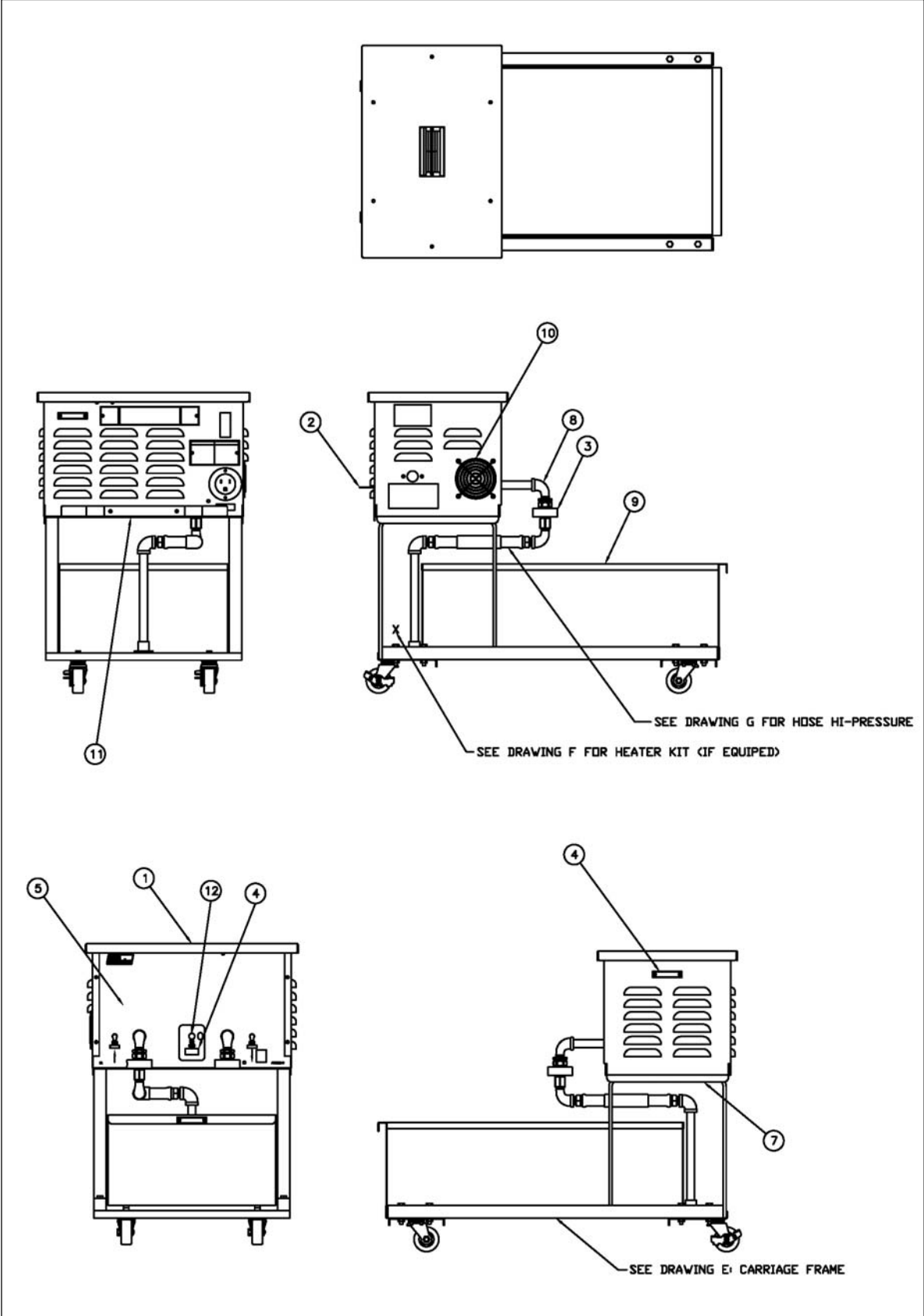
WARNING

It is recommended that this appliance be inspected by a qualified service technician for proper performance and operation on a yearly basis.

TABLE OF CONTENTS

DRAWING A: PORTABLE FILTER	4
DRAWING A: PORTABLE FILTER PART NUMBERS	5
DRAWING B: FILTER HEATER KIT	6
DRAWING B: FILTER HEATER KIT PART NUMBERS	7
DRAWING C: SCHEMATIC FILTER PORTABLE 115/120V	8
DRAWING C: SCHEMATIC FILTER PORTABLE 115/120V PART NUMBERS	9
DRAWING D: SCHEMATIC FILTER PORTABLE 230/240V	10
DRAWING D: SCHEMATIC FILTER PORTABLE 230/240V PART NUMBERS	11
DRAWING E: FILTER CARRIAGE FRAME ASSEMBLY	12
DRAWING E: FILTER CARRIAGE FRAME ASSEMBLY PART NUMBERS	13
DRAWING F: FILTER PIPING MOBILE PUMP	14
DRAWING F: FILTER PIPING MOBILE PUMP PART NUMBERS	15
DRAWING G: FILTER HOSE HI-PRESSURE	16
DRAWING G: FILTER HOSE HI-PRESSURE PART NUMBERS	17
DRAWING H: HOSE NOZZLE OUTLET	18
DRAWING H: HOSE NOZZLE OUTLET PART NUMBERS	19

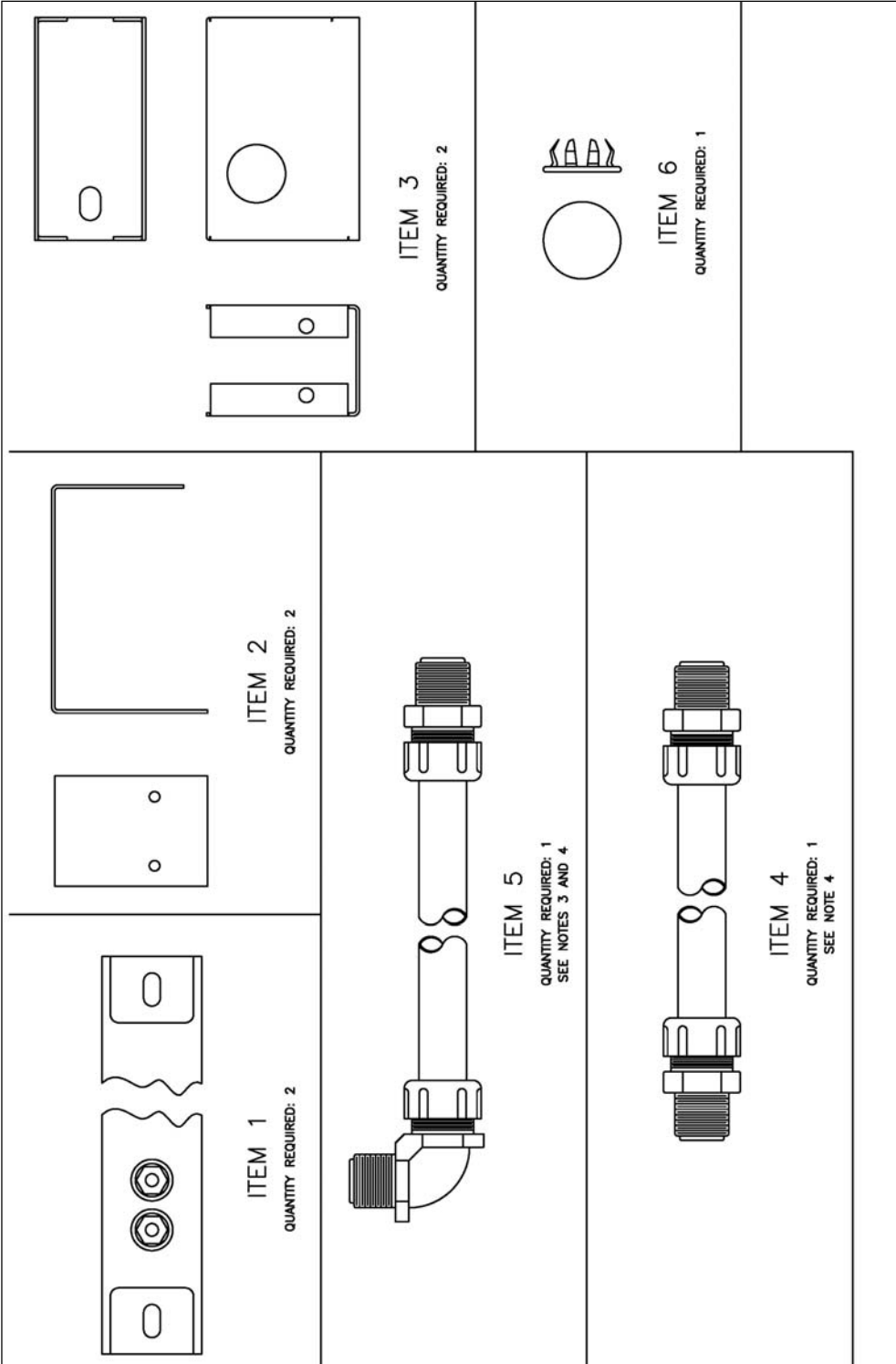
Drawing A: Portable Filter



Drawing A: Portable Filter Part Numbers

Item#	Part No.	Description
1	A7018102	FILTER,CONTROL BOX COVER P/RP
2	A7032902	FILTER,CORD PROTECTIVE BRACKET P14
3	B7402241	BLACK DONUT ASSEMBLY
4	PP10331	LAMP,125V GREEN RECTANGLUAR
5	A7018202-3	FILTER,CONTROL BOX FRONT P14P18*
6	A7018002	FILTER,CONTROL BOX SIDE WRAPAROUND P/RP
7	B6660903	FILTER,SUPPORT PLATE MOTOR WELDMENT P14
8	P7037752-1	ELBOW,STREET-3/8 90 PLATED
9	B7403903	FILTER,PAN ASSEMBLY W/HOSE P14
10	PP11378	FAN,GUARD WIRE 3.125 SQ
11	A6657202	FILTER,BRACKET ELECTRICAL CORD P14,P18
12	P5047163	SWITCH,TOGGLE SPDT 1-0-1
Not Shown	A7018501	FILTER,PUMP HEAT SHIELD FRONT P14 P18
Not Shown	A7018601	FILTER,PUMP HEAT SHIELD BK P14P18
Not Shown	B6604910	FILTER,COVER PAN ASSEMBLY P14
Not Shown	P0093300	NUT, HEX KEP 1/4-20 ZN
Not Shown	P5047674	WIRENUT,BLUE
Not Shown	PP10612	FILTER,PAPER 13 1/2 X 24 HEAVY DUTY
Not Shown	P7037304-1	NIPPLE, PLATED 3/8 X 2
Not Shown	P7037307-1	NIPPLE, PLATED 3/8 X 3-1/2
Not Shown	P7037316-1	NIPPLE, PLATED 3/8 X 8
Not Shown	P7037675-1	ELBOW,PLATED 90 3/8
Not Shown	B6603001	FILTER,FRONT PAPER RETAINER ASSEMBLY BF14,P14
Not Shown	A2510101	TANK FITTING, NIPPLE DRAIN OUTLET 1.25 CURVED
Not Shown	B6681201	FILTER,CRUMB SCOOP
Not Shown	P6072611	RACK FILTER PAPER SUPPORT #14
Not Shown	PP10732	FILTER,POWDER 6 8 OZ. PKGS
Not Shown	P6072165	BASKET,FILTER CATCH P14,P18
Not Shown	B6601901	FILTER,RETAINER BASKET WELDMENT F14
Not Shown	PP11380	CORD,PLUG/RECEPTACLE-MOLDED 16-3 SJTO
Not Shown	P6071490	PLUG HOLE 7/8 PLATED
Not Shown	P6071497	PLUG HOLE 3/4 PLATED
Not Shown	P5047671	WIRENUT,ORANGE
Not Shown	A7018402	FILTER,RESET GAURD P/RP
Not Shown	PP10689	SCREW,6-32 X 1/2 RDH PHILLIPS ZN
Not Shown	P0091100	NUT, HEX KEP 6-32 ZN
Not Shown	P0092300	NUT, HEX KEP 10-24 ZN
Not Shown	PP10693	SCREW,10-24 X 3/8 TH PHILLIPS ZN
Not Shown	PP10752	SCREW,10-32 X 1/2 PNH PHILLIPS ZN TF
Not Shown	P0020600	SCREW,1/4-20 X 5/8 HHC ZN
Not Shown	P0080650	WASHER,FLAT 1/4 ZN SAE

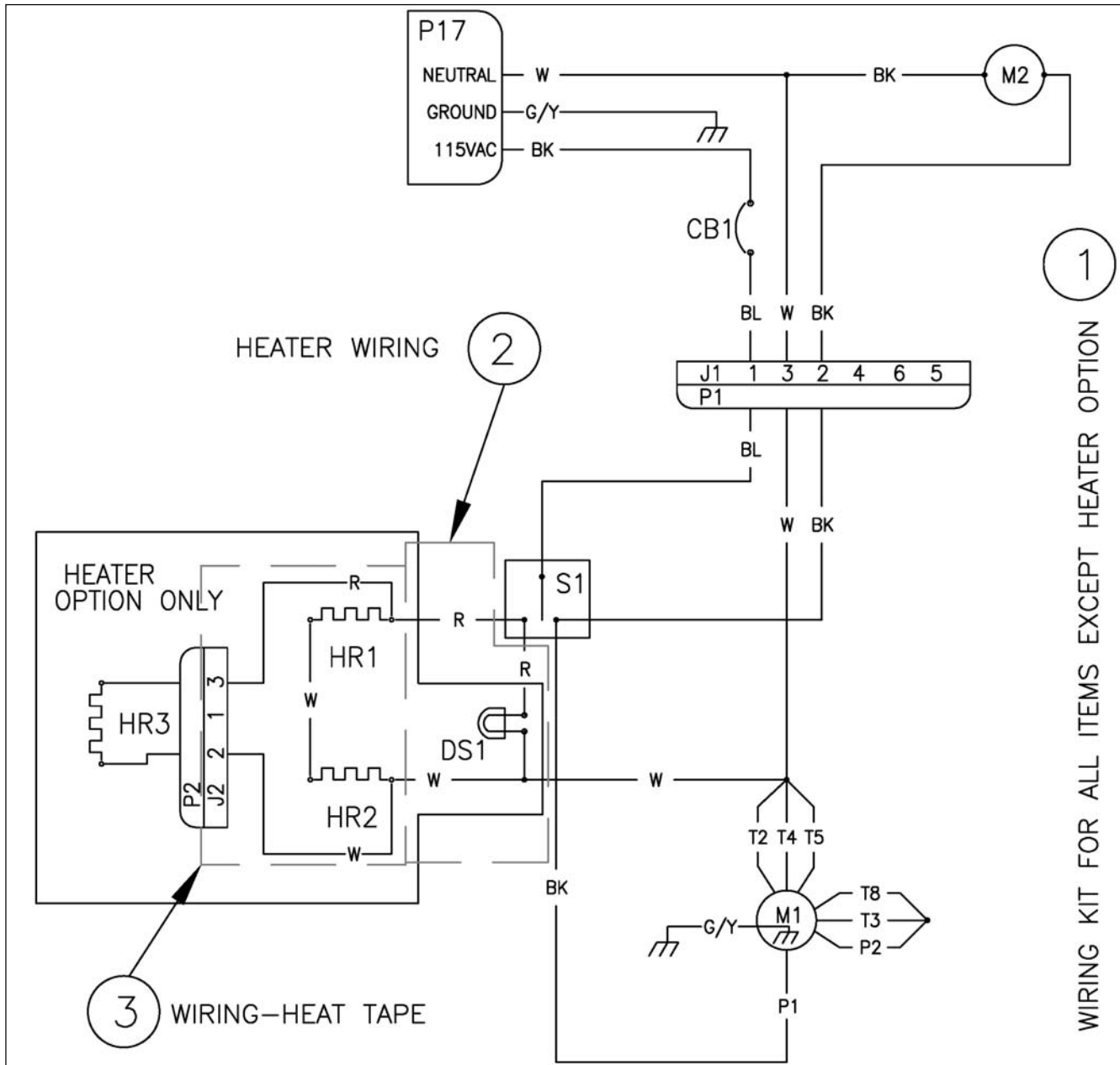
Drawing B: Filter Heater Kit



Drawing B: Filter Heater Kit Part Numbers

Item#	Part No.	Description
Entire kit	B6662703	FILTER,HEATER KIT P14 RP14
1	P5046980	HEATER,STRIP 500W 120V
2	A7019202	FILTER,HEATER RAIL COVER TOP P14*
3	A7019102	FILTER,HEATER RAIL COVER BOTTOM P/RP
4	B6662801	FILTER,HEATER SEALTITE 3INCH ASSEMBLY
5	B6662803	FILTER,HEATER SEALTITE 9 INCH ASSEMBLY
6	P6071490	PLUG HOLE 7/8 PLATED

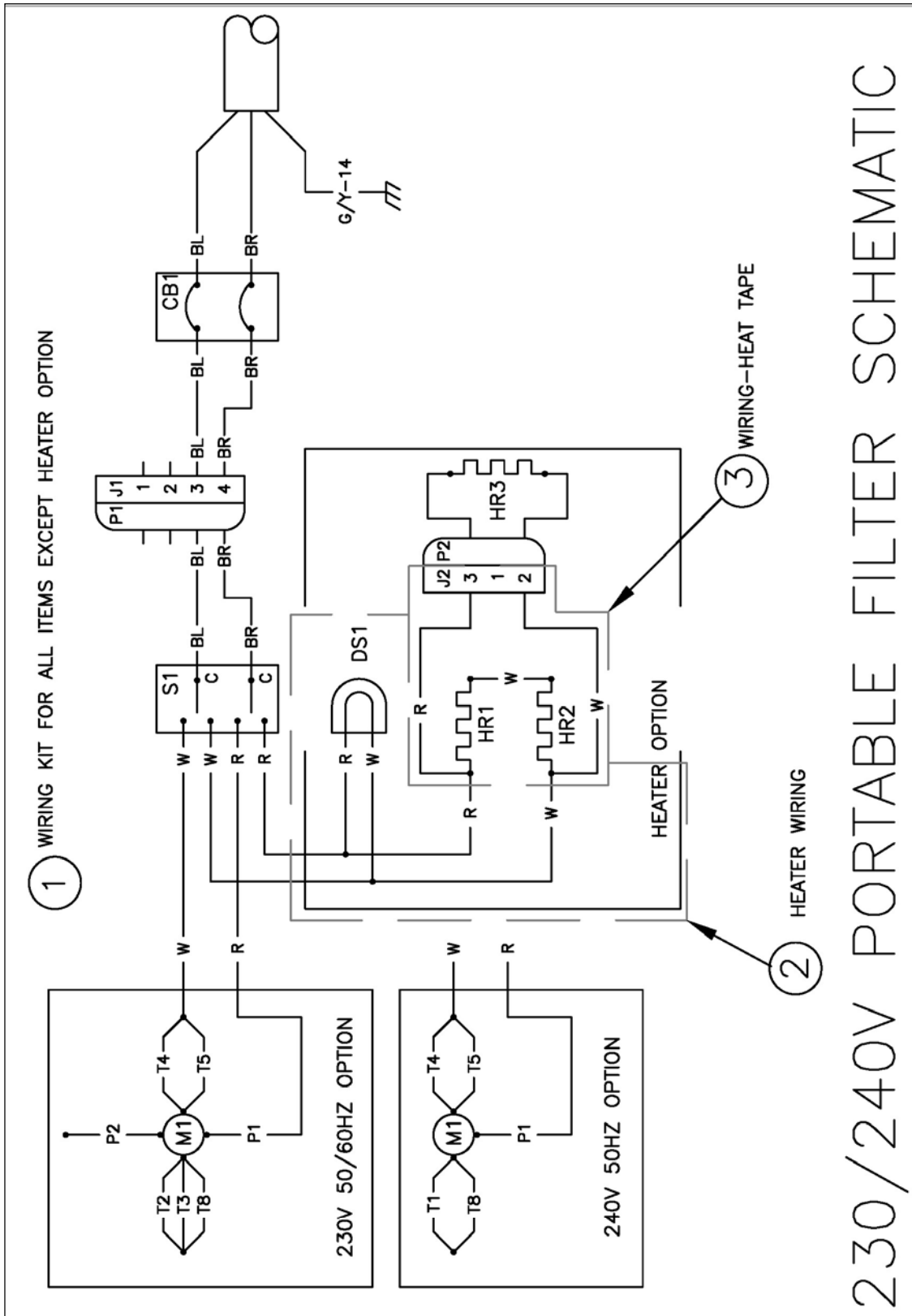
Drawing C: Schematic Filter Portable 115/120V



Drawing C: Schematic Filter Portable 115/120V Part Numbers

Item#	Part No.	Description
1	B6742801	WIRING,PORTABLE FILTER 120VAC
2	B6742901	WIRING,HEATER FILTER PORTABLE
3	B6785301	WIRING,ADD HEAT TAPE P14*
CB1	PP10460	CIRCUIT BREAKER,SWITCH ROCKER SPST 250V 8A
DS1	PP10331	LAMP, 125VAC GREEN RECTANGLE
HR1, HR2	P5046980	HEATER, STRIP 500W 120V
HR3	60133503	HEATER, TAPE 50W 120V 1/2 x 72
M1	PP10101	PUMP/MOTOR ASSEMBLY, 115V/230 50/60HZ VAC 1/3 HP
M2	PP11377	FAN,AXIAL 34CFM 115V 50/60 3.14" SQ.
P17	PP11379	RECEPTACLE,FLANGED INLET-125V NEMA
S1	P5047163	SWITCH, TOGGLE SPDT 20A CTR-OFF

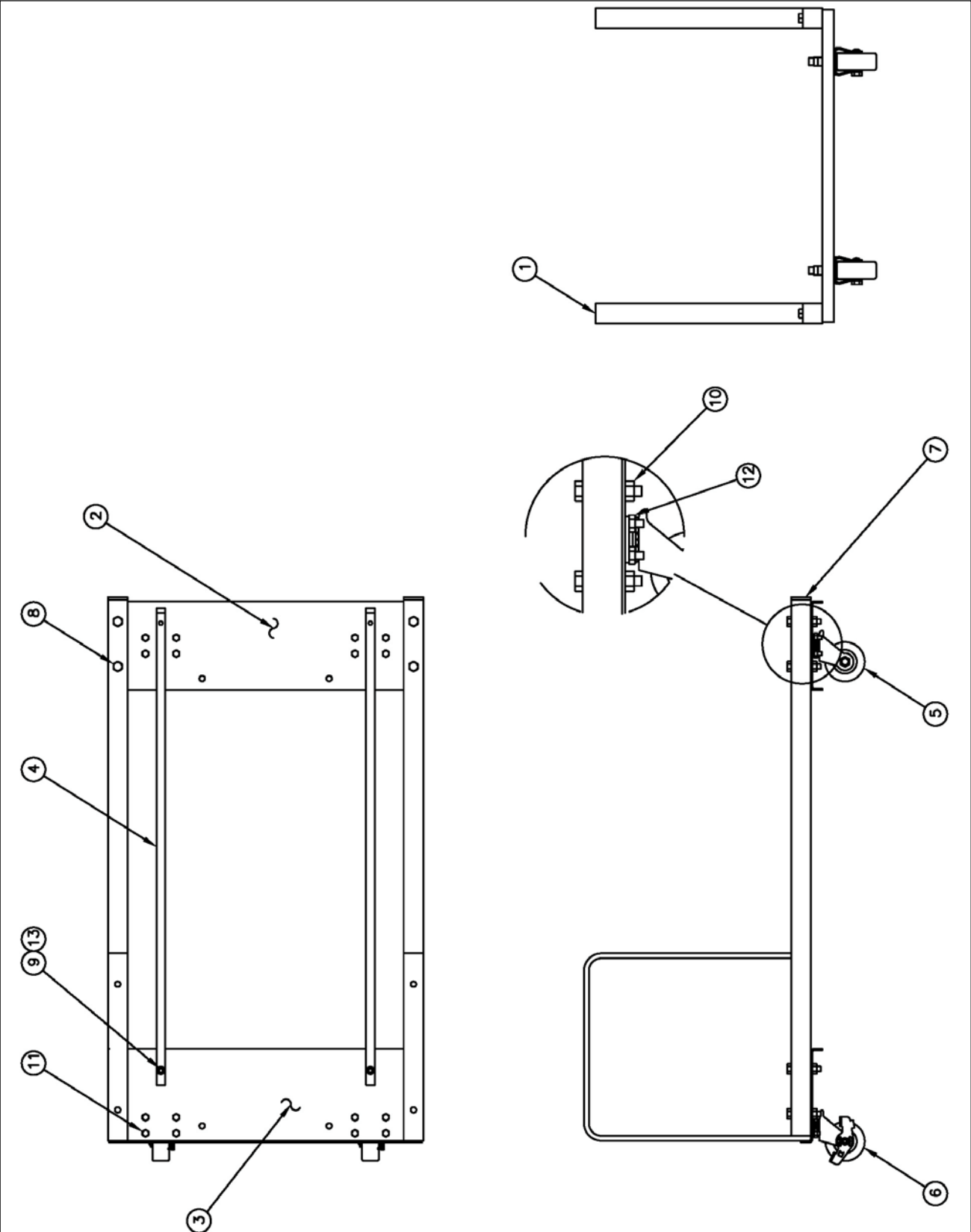
Drawing D: Schematic Filter Portable 230/240V



Drawing D: Schematic Filter Portable 230/240V Part Numbers

Item#	Part No.	Description
1	B6742801	WIRING,PORTABLE FILTER 120VAC
2	B6742901	WIRING,HEATER FILTER PORTABLE
3	B6785301	WIRING,ADD HEAT TAPE P14*
CB1	PP10470	CIRCUIT BREAKER,SWITCH ROCKER DPST 250V 4A
DS1	PP10736	LAMP, 250VAC GREEN RECTANGLE
HR3	60133504	HEATER, TAPE 50W 240V 1/2 x 72
HR1, HR2	P5046980	HEATER, STRIP 500W 120V
M1	PP10101	PUMP/MOTOR ASSEMBLY, 115V//230 50/60HZ VAC 1/3 HP
	PP10171	PUMP/MOTOR ASSEMBLY, 240V 50HZ VAC 1/3 HP
S1	P5047165	SWITCH, TOGGLE DPDT 3/4HP 1-0-1

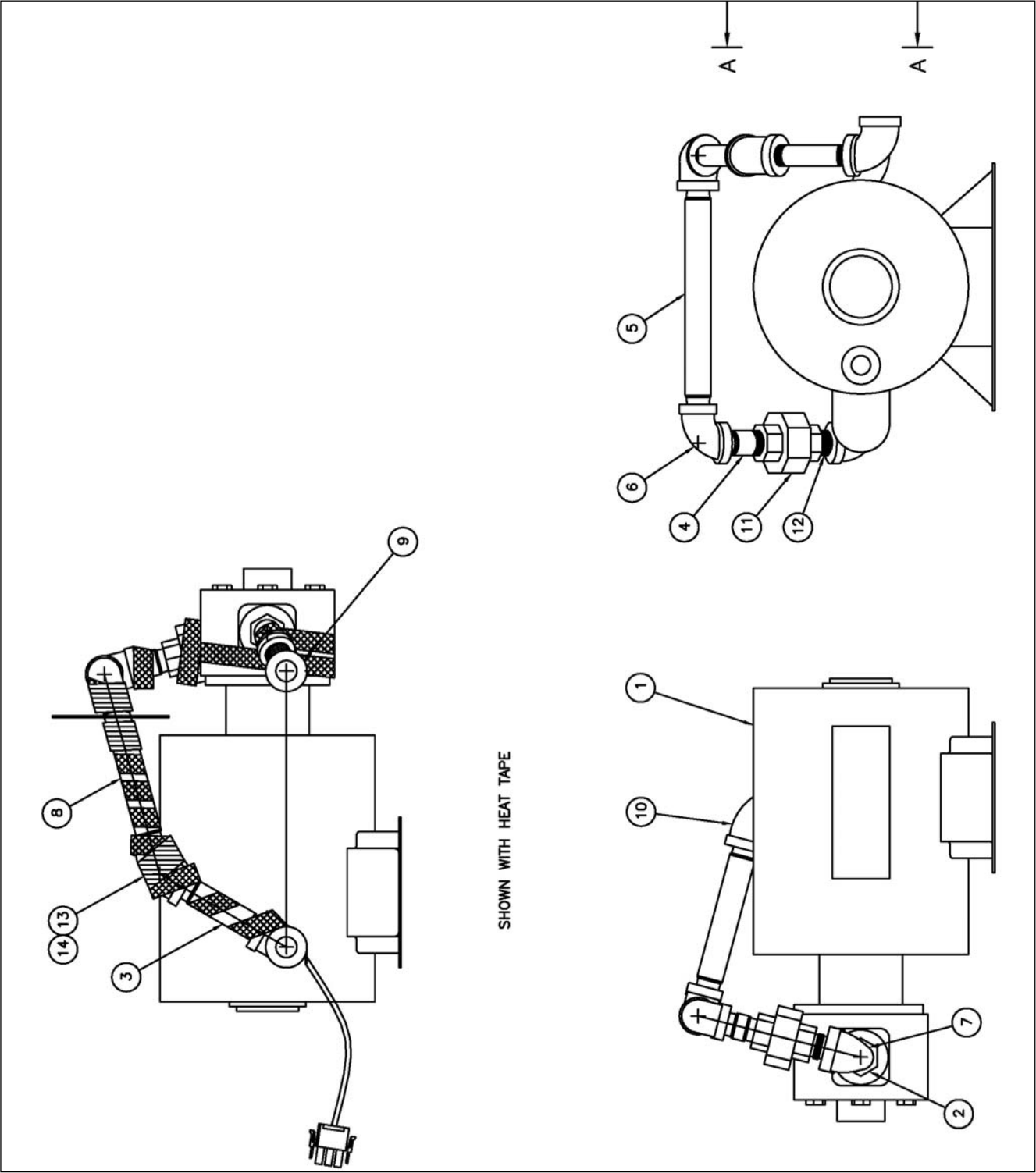
Drawing E: Filter Carriage Frame Assembly



Drawing E: Filter Carriage Frame Assembly Part Numbers

Item#	Part No.	Description
Entire Assembly	B6660401	FILTER,CARRIAGE FRAME P14,RP14
1	B6660801	FILTER,CARRIAGE SIDE FRAME WELDMENT 14 P/RP
2	A6620602	FILTER,BRACE CARRIAGE P14
3	A7017702	FILTER,BRACE CARRIAGE REAR 14 P/RP
4	A6630801	FILTER,SLIDE CARRIAGE PAN P14
5	P6071062	CASTER,PMF 2 W/TOP PLATE
6	PP11381	CASTER,PMF 2 LOCKING W/TOP PLATE
7	P5045160	CAP PLASTIC 7/8 MOBILE FILTER
8	P0021100	SCREW,1/4-20 X 1-1/2 HHC ZN
9	PP11369	SCREW,1/4-20 X 3/4 SCH CAP
10	P0093300	NUT,HEX KEP 1/4-20 ZN
11	P0011300	SCREW,10-24 X 3/8 INDT HEX
12	P0092300	NUT,HEX KEP 10-24 ZN
13	P6071219	BUMPER,END

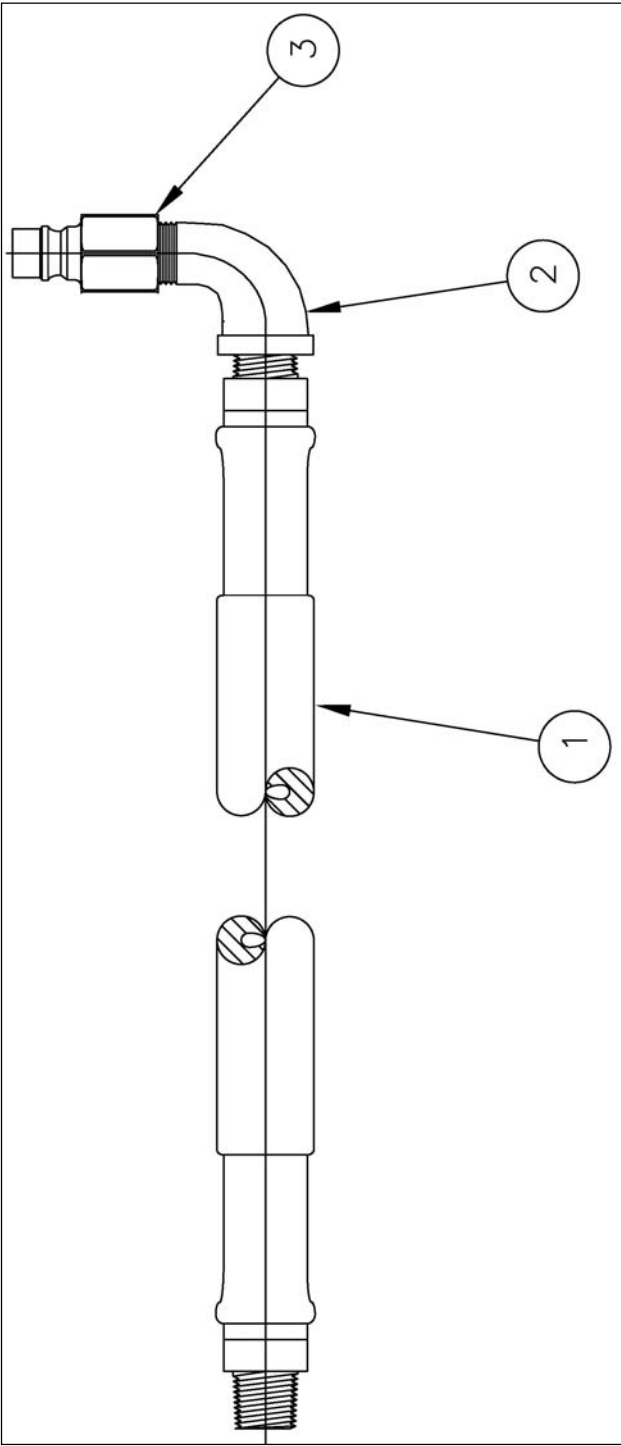
Drawing F: Filter Piping Mobile Pump



Drawing F: Filter Piping Mobile Pump Part Numbers

Item#	Part No.	Description
Entire Assembly	B6660501	FILTER, PIPING PUMP 115/220 P14* WITHOUT HEAT TAPE
Entire Assembly	B6660502	FILTER, PIPING PUMP 240 P14* WITHOUT HEAT TAPE
Entire Assembly	B6660503	FILTER, PIPING PUMP 115/220 P14* WITH HEAT TAPE
Entire Assembly	B6660504	FILTER, PIPING PUMP P14* 240 WITH HEAT TAPE
Entire Assembly	B6660505	FILTER, PIPING PUMP P14* 230 WITH HEAT TAPE
1	PP10101	PUMP/MOTOR-1/3HP 115/230V 50/60H
1	PP10171	PUMP/MOTOR-1/3HP 240V 50HZ HA
2	P7036014	BUSHING,REDUCER HEX 1/2X3/8 NPT BLK
3	P7037306	NIPPLE,BLK 3/8 X 3
4	P7037300	NIPPLE,BLK 3/8 SP
5	P7037313	NIPPLE,BLK 3/8 X 6-1/2
6	P7037675	ELBOW,BLK 90 3/8
7	P7037752	ELBOW,BLK ST 90 3/8
8	P7037311	NIPPLE,BLK 3/8 X 5-1/2
9	P7037770	ELBOW,BLK 45 ST 3/8
10	P7037720	ELBOW,BLK 45 3/8
11	P7036901	UNION BLK 3/8
12	P7037301	NIPPLE,BLK 3/8 CL
13	60133503	HEATER,TAPE 50W 115/120V 1/2 X 72
13	60133504	HEATER,TAPE 50W 230/240V 1/2 X 72
14	PP10775	TAPE,ELECTRICAL HT RES WHT 3/4

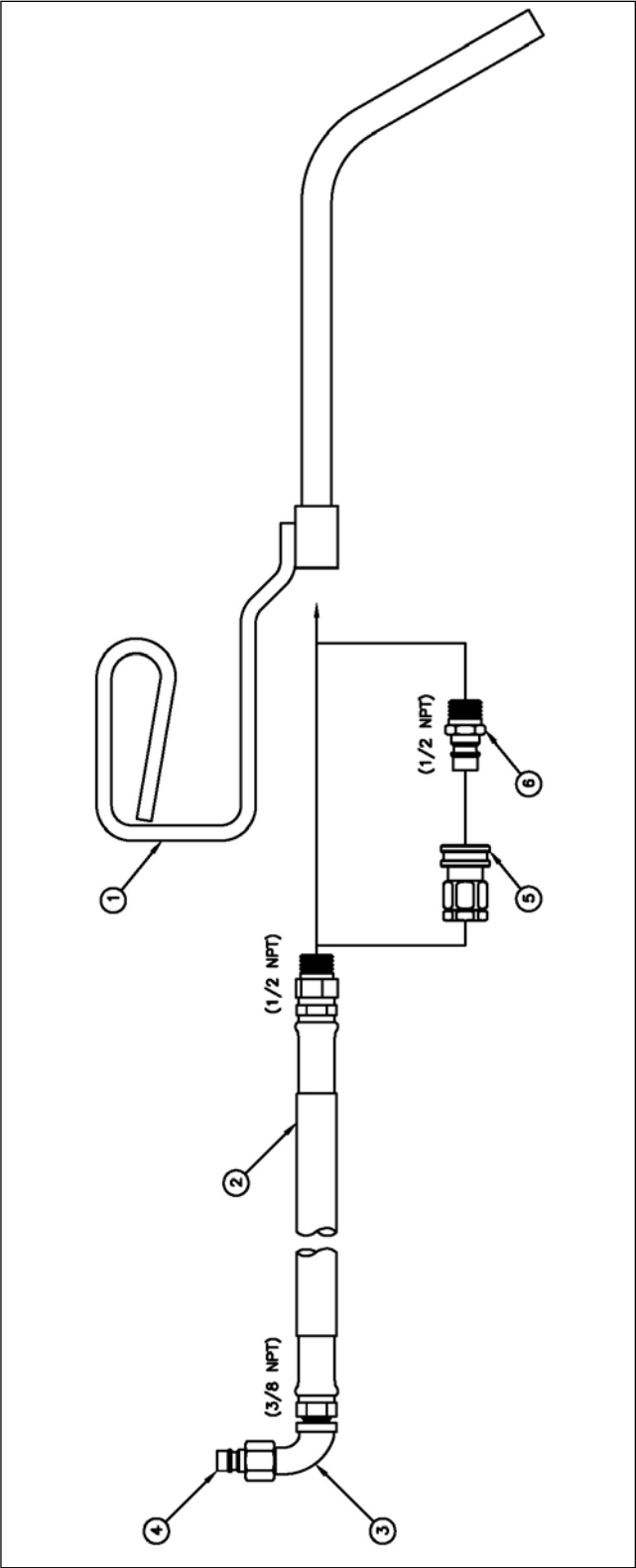
Drawing G: Filter Hose Hi-Pressure



Drawing G: Filter Hose Hi-Pressure Part Numbers

Item#	Part No.	Description
Entire Assembly	B6602403	FILTER, HOSE ASSEMBLY P14-P34 IN 10"
1	A6653503	FILTER, HOSE 9.25 P14-P34 IN
2	P7037752-1	ELBOW, STREET-3/8 90 PLATED
3	P6071123	CONNECTOR, NIPPLE 3/8 MALE NPT

Drawing H: Hose Nozzle Outlet



Drawing H: Hose Nozzle Outlet Part Numbers

Item#	Part No.	Description
Entire Assembly	B6602501	FILTER,HOSE/NOZZLE OUTLET 60 BIF/PORTABLE
1	B6661001	FILTER,WELDMENT NOZZLE RETURN 3/4 INLET BIF
2	A6653505	FILTER,HOSE 63.75 PORTABLE/BIF OUTLET
3	P7037752-1	ELBOW,STREET-3/8 90 PLATED
4	P6071123	CONNECTOR,NIPPLE 3/8 MALE NPT
5	60033901	CONN,COUPLER 1/2 NPT
6	60015901	CONN,NIPPLE 1/2 MALE NPT

In the event of problems with or questions about your order, please contact the Pitco Frialator factory at:
(603) 225-6684 World Wide

In the event of problems with or questions about your equipment please contact the Pitco Frialator Authorized Service and Parts Representative (ASAP) covering your area or contact Pitco at the numbers listed to the

MAILING ADDRESS – P.O. BOX 501, CONCORD, NH 03302-0501
SHIPPING ADDRESS – 10 FERRY ST., CONCORD, NH 03301