



IMPORTANT FOR FUTURE REFERENCE

Please complete this information and retain this manual for the life of the equipment:

Model #: _____

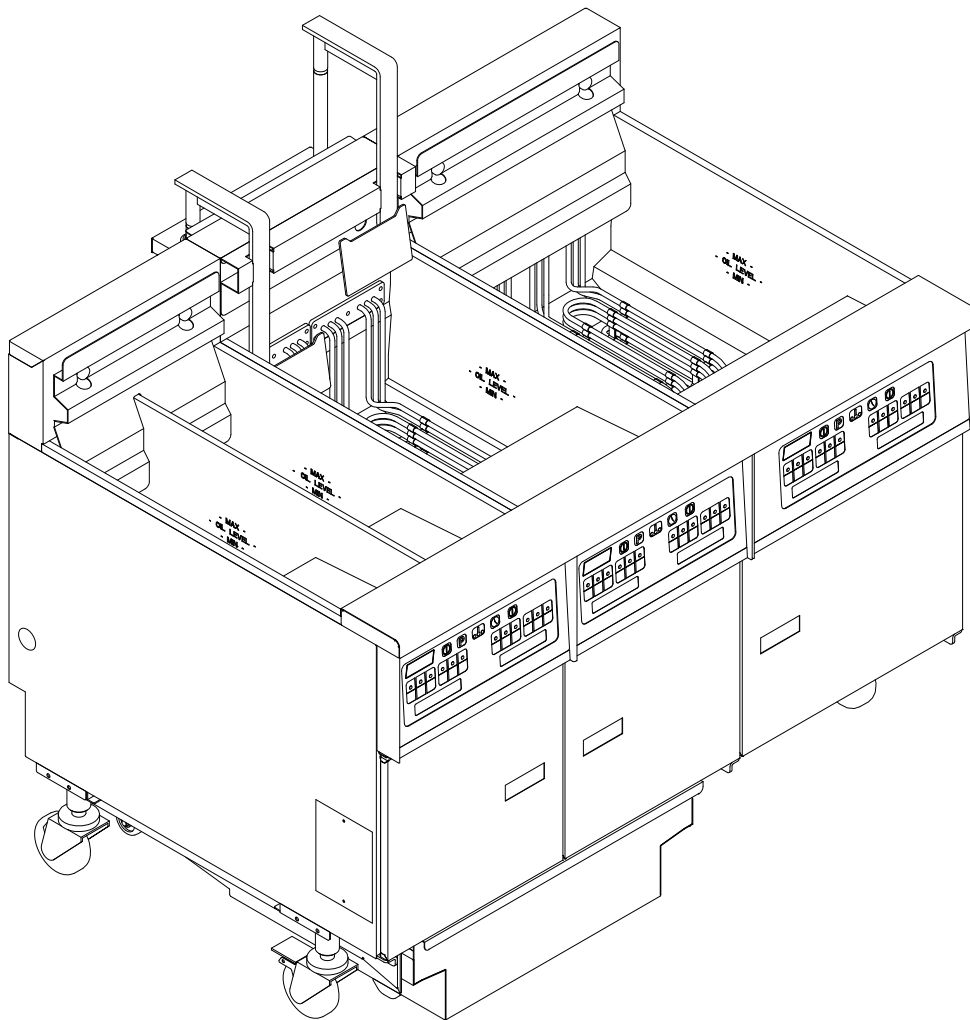
Serial #: _____

Date Purchased: _____

PARTS MANUAL

For SOLSTICE ELECTRIC MODELS

SE14, SE14T, SE14X, SE14R, SE14TX, SE14TR
SE18S, SE18, SE18R, SE147, SE714 SFSE14, SFSE14T,
SFSE14X, SFSE14R, SFSE14TX, SFSE14TR, SFSE18, SFSE18,
SFSE18R, SEBNB14, SEBNB18
With Filtration



TO THE PURCHASER, OWNER AND STORE MANAGER

Please review these warning prior to posting them in a prominent location for reference

WARNING

DO NOT store or use gasoline or other flammable vapors and liquids in the vicinity of this or any other appliance.

WARNING

Improper installation, alteration, service or maintenance can cause property damage, injury or death. Read the installation, operating and maintenance instructions thoroughly before installing or servicing this appliance.

WARNING

Installation, maintenance and repairs should be performed by a Pitco Authorized Service and Parts (ASAP) company technician or other qualified personnel. Installation, maintenance or repairs by an unauthorized and unqualified personnel will void the warranty.

WARNING

Installation and all connections must be made according to national and local regulations and codes in force.

WARNING

A country approved all pole circuit breaker with a minimum open contact gap of 3mm must be used for proper installation. (CE countries)

WARNING

During the warranty period if a customer elects to use a non-original part or modifies an original part purchased from Pitco and/or its Authorized Service and Parts (ASAP) companies, this warranty will be void. In addition, Pitco and its affiliates will not be liable for any claims, damages or expenses incurred by the customer which arises directly or indirectly, in whole or in part, due to the installation of any modified part and/or received from an unauthorized service center.

WARNING

This appliance, when installed, must be electrically grounded in accordance with local codes, or in the absence of local codes, with the National Electrical Code, ANSI/NFPA 70, or the Canadian Electrical Code, CSA C22.2, as applicable.

WARNING

Adequate means must be provided to LIMIT the movement of this appliance without depending on the electrical cord connection. Single appliances equipped with legs must be stabilized by installing anchor straps. All appliances equipped with casters must be stabilized by installing restraining chains.

WARNING

DO NOT alter or remove structural material on the appliance to accommodate placement under a ventilation hood.

WARNING

This appliance is intended for commercial/professional use only and should be operated by fully trained and qualified personnel. It is not intended for continuous mass production of food.

WARNING

If the supplied power cord is damaged, it must be replaced by a Pitco Authorized Service and Parts (ASAP) company technician, or a similarly qualified person in order to avoid a hazard.

WARNING

The power supply must be disconnected before servicing, maintaining or cleaning this appliance.

WARNING

The appliance is NOT water jet stream approved. DO NOT clean the appliance with a water jet or steam cleaner.

WARNING

DO NOT attempt to move this appliance or transfer hot liquids from one container to another when the unit is at operating temperature or filled with hot liquids. Serious personal injury could result if skin comes in contact with the hot surfaces or liquids.

WARNING

DO NOT sit or stand on this appliance. The appliance's front panel, tank, splash back, tank cover, work shelf, drain board is not a step. Serious injury could result from slipping, falling or contact with hot liquids.

WARNING

NEVER use the appliance as a step for cleaning or accessing the ventilation hood. Serious injury could result from slips, trips or from contacting hot liquids.

WARNING

Potential fire danger exists if the cooking oil level is below the minimum indicated level. The cooking oil level should NOT be allowed to fall below the minimum indicated level line at any time. The use of old cooking oil can be dangerous as it will have a reduced flash point and be more prone to foaming over.

WARNING

The contents of the crumb catch and/or filter pan of any filter system must be emptied into a fireproof container at the end of each day. Some food particles can spontaneously combust if left soaking in certain types of oil or shortening.

WARNING

Completely shut the appliance down when shortening/oil is being drained from the appliance. This will prevent the appliance from heating up during the draining and filling process. Serious injury can occur.

WARNING

This appliance is intended for indoor use only.

WARNING

DO NOT operate appliance unless all panels and access covers are attached correctly.

WARNING

It is recommended that this appliance be inspected by a qualified service technician for proper performance and operation on a yearly basis.

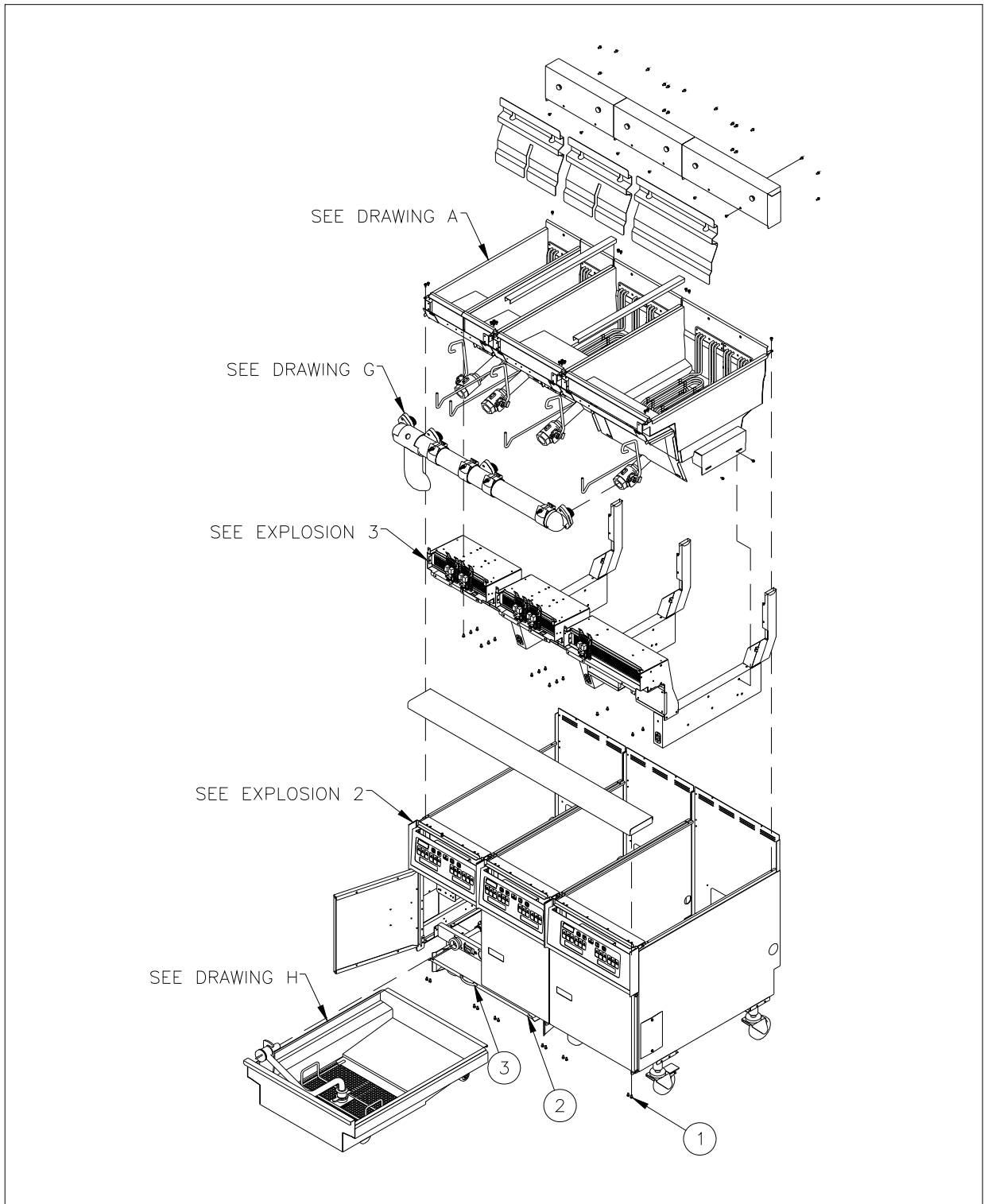
TABLE OF CONTENTS

FRYER VIEW 1 PARTS LIST	1
FRYER VIEW 1.....	2
FRYER 2 PARTS LIST	3
FRYER 2.....	4
FRYER 3 PARTS LIST	5
FRYER 3.....	5
TANK DRAWING A PARTS LIST	6
TANK DRAWING A.....	8
FRYER CABINET DRAWING B PARTS LIST	9
FRYER CABINET DRAWING B	10
FRYER CABINET DRAWING B PARTS LIST	11
FRYER CABINET DRAWING B PARTS LIST	12
ENTRANCE BOX DRAWING C PARTS LIST	13
ENTRANCE BOX DRAWING C.....	14
ENTRANCE BOX WIRE CHANNEL DRAWING D PARTS LIST.....	15
ENTRANCE BOX WIRE CHANNEL DRAWING D	16
FRONT PANEL AND CONTROL BOX DRAWING E PARTS LIST	17
FRONT PANEL AND CONTROL BOX DRAWING E	18
FRYER SMALL ASSEMBLIES DRAWING F PARTS LIST	19
FRYER SMALL ASSEMBLIES DRAWING F.....	20
FRYER DRAIN LINE DRAWING G PARTS LIST	21
FRYER DRAIN LINE DRAWING G	22
FILTER ASSEMBLY DRAWING H PARTS LIST.....	23
FILTER ASSEMBLY DRAWING H	24
SEFD PUMP ASSEMBLY DRAWING J1	26
SOLO FILTER AND SE147, SE714 PUMP ASSEMBLY DRAWING J2 PARTS LIST	27
SOLO FILTER AND SE147, SE714 PUMP ASSEMBLY DRAWING J2.....	28
PUMP CONTROL BOX DRAWING K PARTS LIST	29
PUMP CONTROL BOX DRAWING K.....	30
FLUSH HOSE ASSEMBLY DRAWING L PARTS LIST.....	31
FLUSH HOSE ASSEMBLY DRAWING L	32
FLUSH HOSE NOZZLE OUTLET DRAWING M PARTS LIST.....	33
FLUSH HOSE NOZZLE OUTLET DRAWING M	34
RETURN PIPING DRAWING N PARTS LIST	35
RETURN PIPING DRAWING N.....	36
BASKET LIFT DRAWING P PARTS LIST	37
BASKET LIFT DRAWING P.....	38
BASKET LIFT COMPONENTS DRAWING R PARTS LIST	39
BASKET LIFT COMPONENTS DRAWING R.....	40
ACCESSORIES DRAWING T PARTS LIST	41
ACCESSORIES DRAWING T	42
BREAD AND BATTER DRAWING U PARTS LIST	43
BREAD AND BATTER DRAWING U.....	44

Fryer View 1 Parts List

ITEM#	PART#	PART DESCRIPTION
1	PP10023	10-24 X 3/8 SELF TAPPING SCREW
2	A7021102-C	FILTER PAN COVER SEFD
	A7026104-C	FILTER PAN COVER SFSE14, SFSE14T
	A7026102-C	FILTER PAN COVER SFSE18
	A7026108-C	FILTER PAN COVER SE147, SE714
3	P6071516	CHROME HANDLE
4	B6665001-C	FILTER PAN COVER ASSEMBLY SEFD
	B6665003-C	FILTER PAN COVER ASSEMBLY SFSE18
	B6665004-C	FILTER PAN COVER ASSEMBLY SFSE14, SFSE14T
	B6665007-C	FILTER PAN COVER ASSEMBLY SE147, SE714

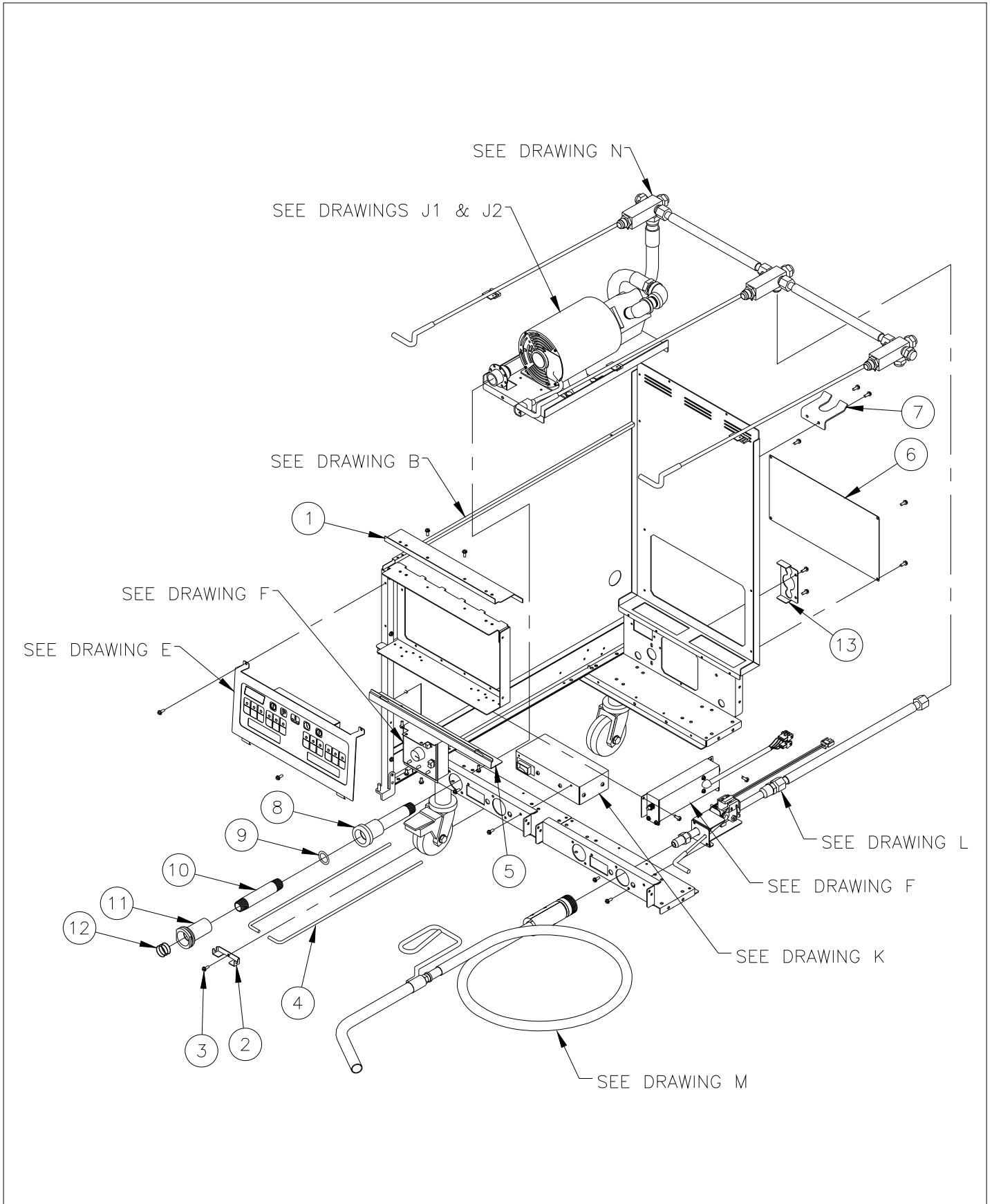
Fryer View 1



Fryer 2 Parts List

ITEM#	PART#	PART DESCRIPTION
1	A3672603-C	FRONT PANEL HEAT SHIELD SE18
	A3672605-C	FRONT PANEL HEAT SHIELD SE14
	A3673701-C	FRONT PANEL HEAT SHIELD SE714
	A3673703-C	FRONT PANEL HEAT SHIELD SE147
2	A7028401-C	FILTER PUMP PLATE MOUNTING ROD HOLDER
3	PP10023	SCREW 10 - 24 X 3/ SELF TAPPING
4	A7027902	FILTER PUMP PLATE MOUNTING ROD
5	A3667908-C	FRONT PANEL BOTTOM SE14
	A3667910-C	FRONT PANEL BOTTOM SE18
	A3667912-C	FRONT PANEL BOTTOM SE147
6	A1631401-C	CABINET BACK COVER SE14, SE18
	A1633201-C	CABINET BACK COVER SE147, SE714
7	A1849402-C	POWER CORD BRACKET (CATFISH KING)
8	B6676001	FILTER PICK UP BLOCK (SFSE, SE147, SE714)
9	60068301	O-RING 1.00 ID X 1.375 OD VITON (SFSE, SE147, SE714)
10	P7037360	NIPPLE BLACK IRON 3/4NPT X 4-1/2 (SEFD)
11	A7027602	FILTER PICK UP BLOCK (SEFD)
12	PP11104	O-RING 1.00 ID X 1.18 OD VITON (SEFD)
13	A1846601-C	REMOTE COMPUTER CABLE CLAMP

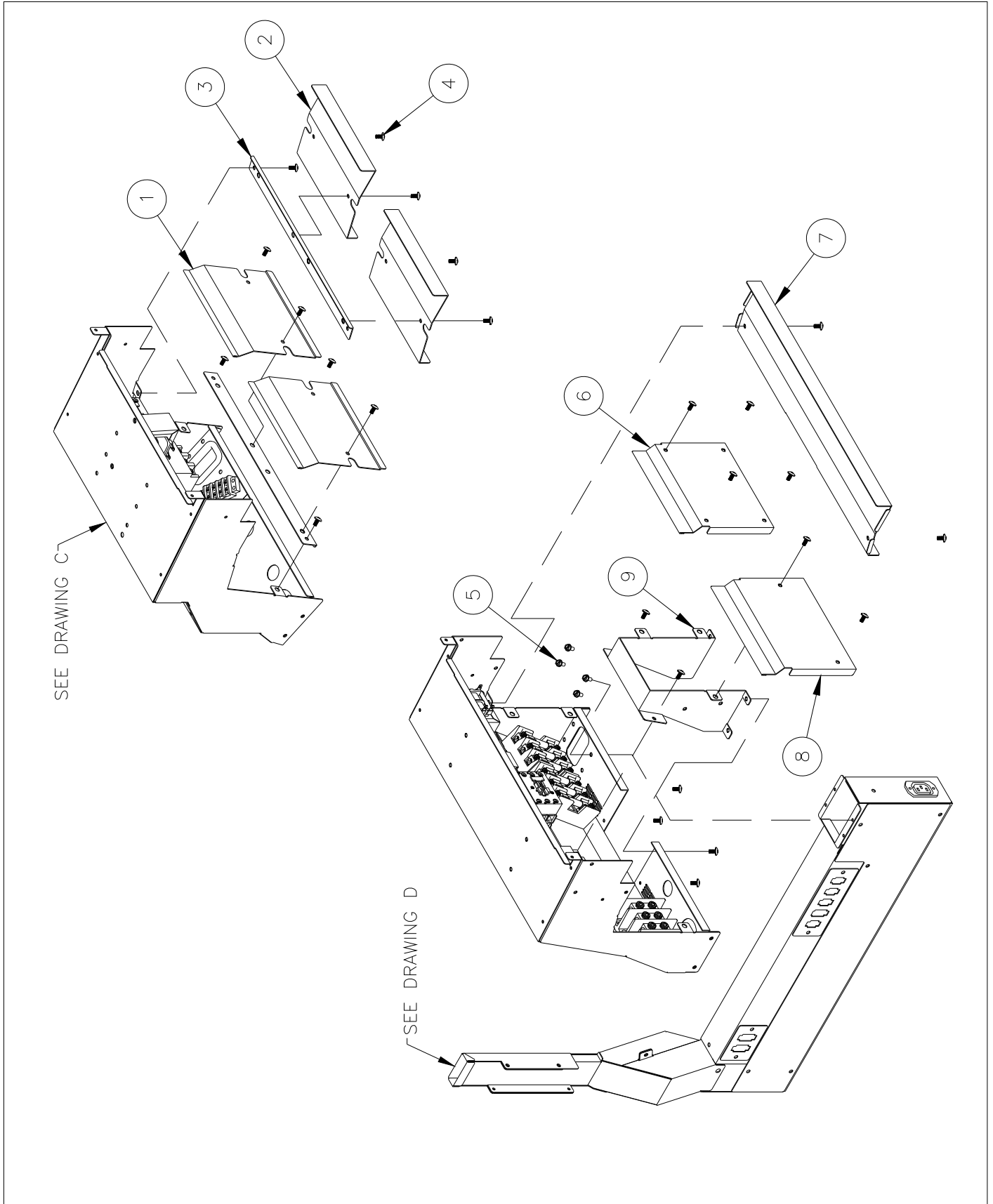
Fryer 2



Fryer 3 Parts List

ITEM#	PART#	PART DESCRIPTION
1	A2962801	ENTRANCE BOX LOWER COVER SE14
	A2962807	ENTRANCE BOX LOWER COVER SE7
2	A2962901	ENTRANCE BOX UPPER COVER SE14
	A2962905	ENTRANCE BOX UPPER COVER SE7
3	A2963801	ENTRANCE BOX COVER BRACKET SE14
	A2963803	ENTRANCE BOX COVER BRACKET SE7
4	PP10693	SCREW 10 - 24 X 3/8
5	PP10023	SCREW 10 - 24 X 3/8 SELF TAPPING
6	A2962805	ENTRANCE BOX LOWER RH COVER SE18
7	A2962903	ENTRANCE BOX UPPER COVER SE18
8	A2962803	ENTRANCE BOX LOWER LH COVER SE18
9	A2962601	ENTRANCE BOX MIDDLE COVER SE18

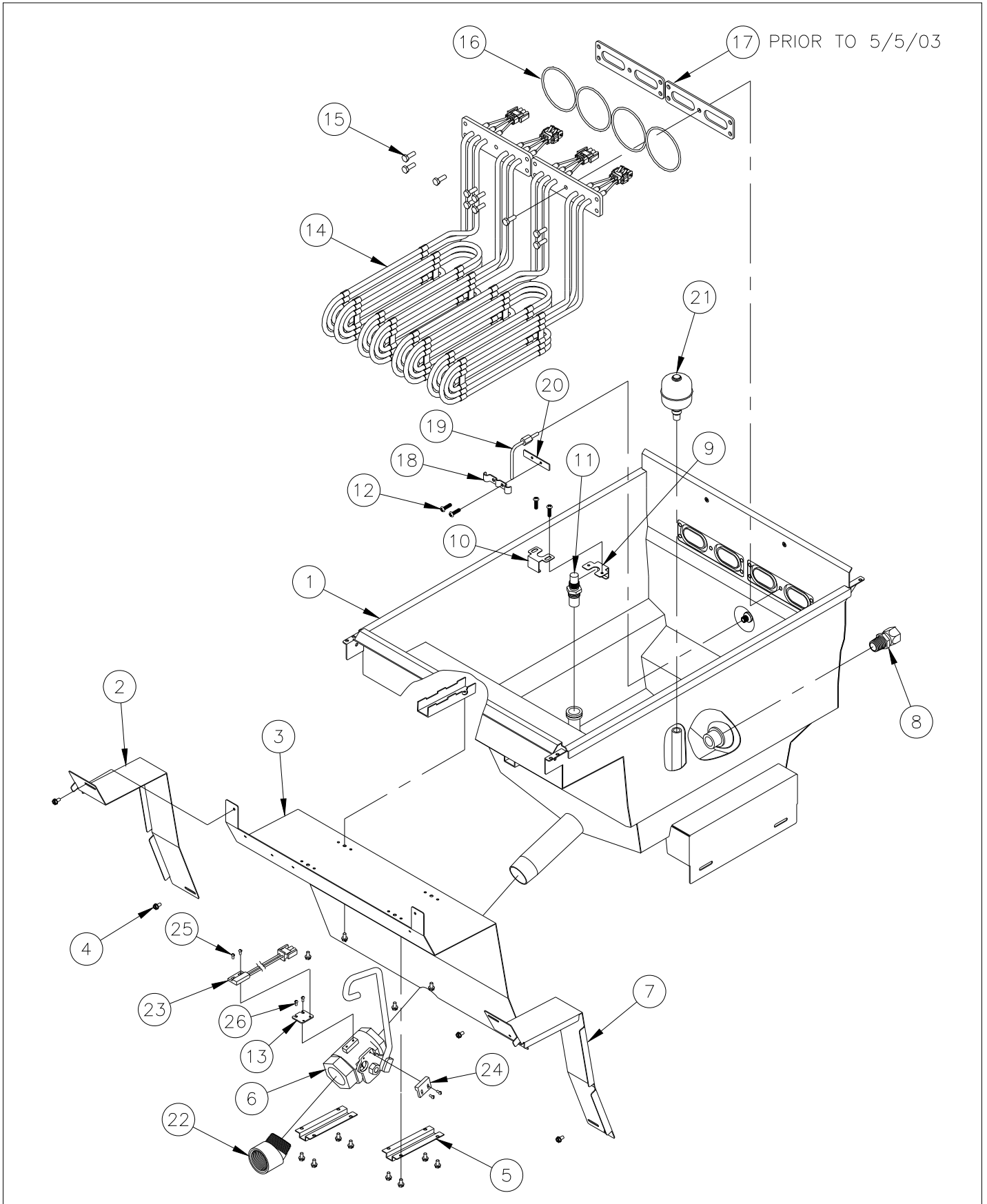
Fryer 3



Tank Drawing A Parts List

ITEM#	PART#	PART DESCRIPTION
1	B3325501-C	TANK SE18, SFSE18
	B3325301-C	TANK SE14, SFSE14, SE147, SE714
	B3325401-C	TANK SE14T, SFSE14T
	B3325801-C	TANK SE7
	B3325502-C	TANK SE18, SFSE18 FLOAT SWITCH (KFC)
	B3325302-C	TANK SE14, SFSE14 FLOAT SWITCH (KFC)
	B3325402-C	TANK SE14T, SFSE14T FLOAT SWITCH (KFC)
2	A2961801-C	ENTRANCE BOX HEAT SHIELD LH SE*14*, SE147, SE714
	A2962001-C	ENTRANCE BOX HEAT SHIELD LH SE*18
3	A2961702-C	ENTRANCE BOX HEAT SHIELD SE*14*, SE147, SE714
	A2961902-C	ENTRANCE BOX HEAT SHIELD SE*18
	A2964402-C	ENTRANCE BOX HEAT SHIELD SE7
4	PP10023	SCREW 10 - 24 X 3/8 SELF TAPPING
5	A2963601-C	ENTRANCE BOX MOUNTING BRACKET SE*14*
	A2963603-C	ENTRANCE BOX MOUNTING BRACKET SE18
	A2963605-C	ENTRANCE BOX MOUNTING BRACKET SE7
6	B4004403	DRAIN VALVE LH NON-LOCKING
	B4004404	DRAIN VALVE RH NON-LOCKING (SHOWN)
	B4004401	DRAIN VALVE LH LOCKING (NON-FILTER)
	B4004402	DRAIN VALVE RH LOCKING (NON-FILTER) (SHOWN)
7	A2961803-C	ENTRANCE BOX HEAT SHIELD RH SE*14*, SE147, SE714
	A2962003-C	ENTRANCE BOX HEAT SHIELD RH SE*18
8	P7036729	STEEL TANK PLUG 1/2NPT
	60130101	TANK REAR ADAPTER 37.5 FLARE SWIVEL X 1/2MPT
9	A3342902	TANK HI LIMIT BRACKET LOWER
10	A3342802	TANK HI LIMIT BRACKET UPPER
11	60141201	HI LIMIT SWITCH
12	PP11366	SCREW 10 - 24 X 5/8 SST
13	A4021001-C	DRAIN VALVE INTERLOCK MOUTING PLATE
14	50006601	TANK ELEMENT 8.5KW 208V
	50006602	TANK ELEMENT 8.5KW 220V
	50006614	TANK ELEMENT 8.5KW 230V
	50006603	TANK ELEMENT 8.5KW 240V
	50006604	TANK ELEMENT 8.5KW 480V
	50006605	TANK ELEMENT 11KW 208V
	50006606	TANK ELEMENT 11KW 220V
	50006615	TANK ELEMENT 11KW 230V
	50006607	TANK ELEMENT 11KW 240V
	50006608	TANK ELEMENT 11KW 408V
	50006609	TANK ELEMENT 7KW 208V
	50006610	TANK ELEMENT 7KW 220V
	50006611	TANK ELEMENT 7KW 230V
	50006612	TANK ELEMENT 7KW 480V
50006613	TANK ELEMENT 7KW 208V	
15	60088003	SCREW 1/4 - 20 X 3/4 SST HEX
16	60068304	O-RING VITON 1.75 ID X 2.215 OD
17	A3341901	TANK ELEMENT GASKET (FOR UNITS BUILT PRIOR TO 5-5-03)
18	A3342502	TANK PROBE BRACKET FRONT
19	B6700605-C	TANK PROBE KIT
	B6700607-C	TANK PROBE KIT (KFC)
	B6700606-C	TANK PROBE KIT (BACK UP THERMOSTAT)
20	A3342504	TANK PROBE BRACKET REAR
21	B5302202-C	LIQUID LEVEL FLOAT SWITCH (KFC)
22	A8030407	DRAIN LINE ADAPTOR (NON-FILTER)
23	B5305001	DRAIN VALVE INTERLOCK SENSOR
24	PP10263	PROXIMITY ACTUATOR
25	PP10266	SCREW 4 - 40 X 1/4
26	PP10686	SCREW 6 - 32 X 1/4

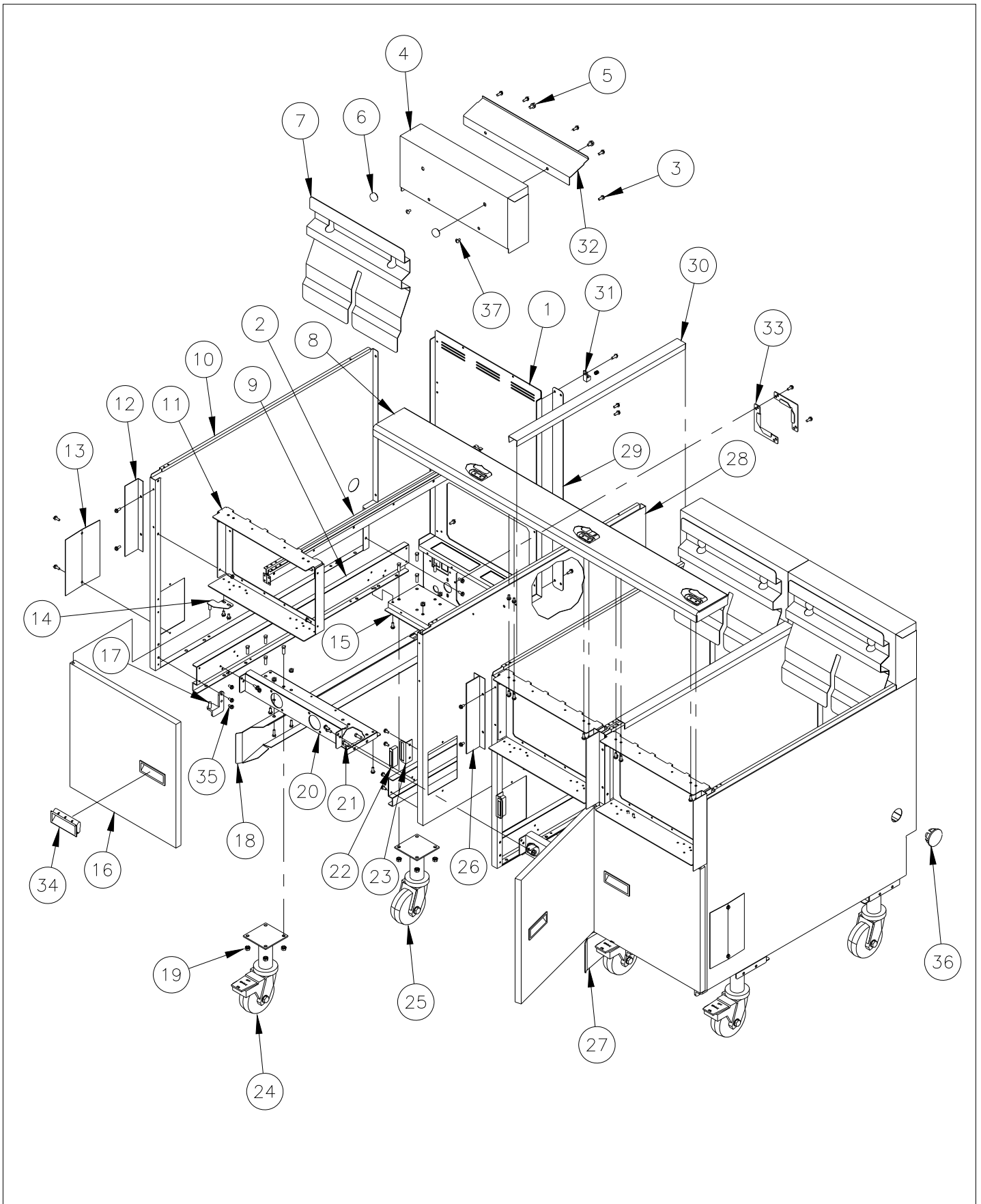
Tank Drawing A



Fryer Cabinet Drawing B Parts List

ITEM#	PART#	PART DESCRIPTION
1	SEE PAGE 11	CABINET BACK
2	A1847901-C	CABINET CENTER BRACE SE147, SE714
3	PP10023	SCREW 10 - 24 X 3/8 SELF TAPPING
4	SEE PAGE 11	SPLASH BACK
5	60118201	BOLT, 1/4 - 20 X 3/8
6	60132001	SPLASH BACK STUD
7	SEE PAGE 11	BASKET HANGER
8	SEE PAGE 12	TOP DECK
9	A1510201-C	CABINET SIDE SUPPORT
10	A1511206-C	CABINET SIDE LH
11	A1846001-C	CABINET SPACER PLATE SE14, SFSE14, SE14T, SFSE14T
	A1631101-C	CABINET SPACER PLATE SE18, SFSE18
	A1848101-C	CABINET SPACER PLATE SE147
	A1848001-C	CABINET SPACER PLATE SE714
12	A3671102-C	FRONT PANEL END CAP LH/RH
13	A6613102-C	FILTER DRAIN LINE CAB COVER
14	B3801702	HINGE LH TOP
	B3801701	HINGE RH TOP
15	A1631801-C	CABINET BACK BOTTOM BRACE SE14, SE14T
	A1632101-C	CABINET BACK BOTTOM BRACE SE18
	A1633101-C	CABINET BACK BOTTOM BRACE SE147, SE714
	A1632501-C	CABINET BACK BOTTOM BRACE SFSE14, SFSE14T
16	A1632601-C	CABINET BACK BOTTOM BRACE SFSE18
	B2304101-C	DOOR SE14*, SFSE14*
	B2305002-C	DOOR SLAM ACTION SE14*, SFSE14*
	B2304102-C	DOOR SE18, SFSE18
	B2305001-C	DOOR SLAM ACTION SE18, SFSE18
17	B2304605-C	DOOR SE147, SE714
	B3801802	HINGE LH BOTTOM
	B3801801	HINGE RH BOTTOM
18	B6670701	FILTER PAN GUIDE SEFD, SE147, SE714 LH
	B6663701	FILTER PAN GUIDE SFSEFD LH
19	P0093300	NUT 1/4 - 20 (KEP)
20	A1234301-C	CABINET FRONT BOTTOM BRACE SE14, SE14T
	A1234401-C	CABINET FRONT BOTTOM BRACE SE18
	A1234501-C	CABINET FRONT BOTTOM BRACE SFSE14, SFSE14T
	A1234601-C	CABINET FRONT BOTTOM BRACE SFSE18
	A1234701-C	CABINET FRONT BOTTOM BRACE SE147, SE714
21	P0020600	SCREW 1/4 - 20 X 5/8
22	P6071300	MAGNET CATCH
23	A1847002	MAGNET CATCH BRACKET
	A1848302-C	MAGNET CATCH BRACKET SE147, SE714
	A1847101-C	CABINET SLAM ACTION DOOR CATCH
24	SEE PAGE 41	FRONT CASTERS/LEGS
25	SEE PAGE 41	REAR CASTERS/LEGS
26	A3672502-C	CABINET MID CAP
27	B6670702	FILTER PAN GUIDE SEFD, SE147, SE714 RH
	B6663702	FILTER PAN GUIDE SFSEFD RH
28	A1511208-C	CABINET SIDE RH
29	A1844204-C	CABINET REAR JOINING STRIP LOWER
30	A1907906-C	TANK JOINING STRIP
31	60145301	GROUNDING LUG (CE ONLY)
32	A4108601-C	SPLASH BACK AIR DIVERTER SE14, SFSE14, SE14T, SFSE14T
	A4108603-C	SPLASH BACK AIR DIVERTER SE18, SFSE18
	A4108605-C	SPLASH BACK AIR DIVERTER TALL SE14, SFSE14, SE14T, SFSE14T
	A4108607-C	SPLASH BACK AIR DIVERTER TALL SE18, SFSE18
	A4108801-C	SPLASH BACK AIR DIVERTER SE147, SE714
33	A1847501-C	CABINET POWER CORD BRACKET
34	PP11006	DOOR HANDLE RECESSED
	60136401	LATCH,SLAM ACTION
35	P0075400	SCREW 10 - 24 X 1/2 SELF TAPPING
36	P6071498	RETURN LINE HOLE PLUG 1-1/2
37	60125801	SCREW 10 - 24 X 3/8 TH SST SLOT
38	SEE PAGE 12	CABINET ASSEMBLY

Fryer Cabinet Drawing B



Fryer Cabinet Drawing B Parts List

ITEM#	PART#	PART DESCRIPTION
1	A1632001-C	CABINET BACK SE14, SE14T, SFSE14, SFSE14T
	A1632301-C	CABINET BACK SE18, SFSE18
	A1633301-C	CABINET BACK SE147, SE714
	A1633501-C	CABINET BACK TALL SE14
	A1631903-C	CABINET BACK FLAT TOP SEBNB14
	A1633401-C	CABINET BACK TALL SE18
	A1632203-C	CABINET BACK FLAT TOP SEBNB18
4	A4108502-C	SPLASH BACK SE14, SFSE14, SE14T, SFSE14T
	A4108504-C	SPLASH BACK SE18, SFSE18
	A4108904-C	SPLASH BACK SE147
	A4108902-C	SPLASH BACK SE714
	A4108510-C	SPLASH BACK TALL SE14, SFSE14, SE14T, SFSE14T
	A4108512-C	SPLASH BACK TALL SE18, SFSE18
	A4106906-C	SPLASH BACK SEBNB14
	A4108508-C	SPLASH BACK SEBNB18
	A4108514-C	SPLASH BACK SEBNB14 TALL
	A4108516-C	SPLASH BACK SEBNB18 TALL
7	A3343904-C	BASKET HANGER SE14*, SFSE14*
	A3343906-C	BASKET HANGER SE18, SFSE18
	A3343902-C	BASKET HANGER SE7
	A1103304-C	BASKET HANGER SEBNB14
	A1103306-C	BASKET HANGER SEBNB18
	A3343802-C	BASKET HANGER TALL SE14*, SFSE14*
A3343804-C	BASKET HANGER TALL SE18, SFSE18	

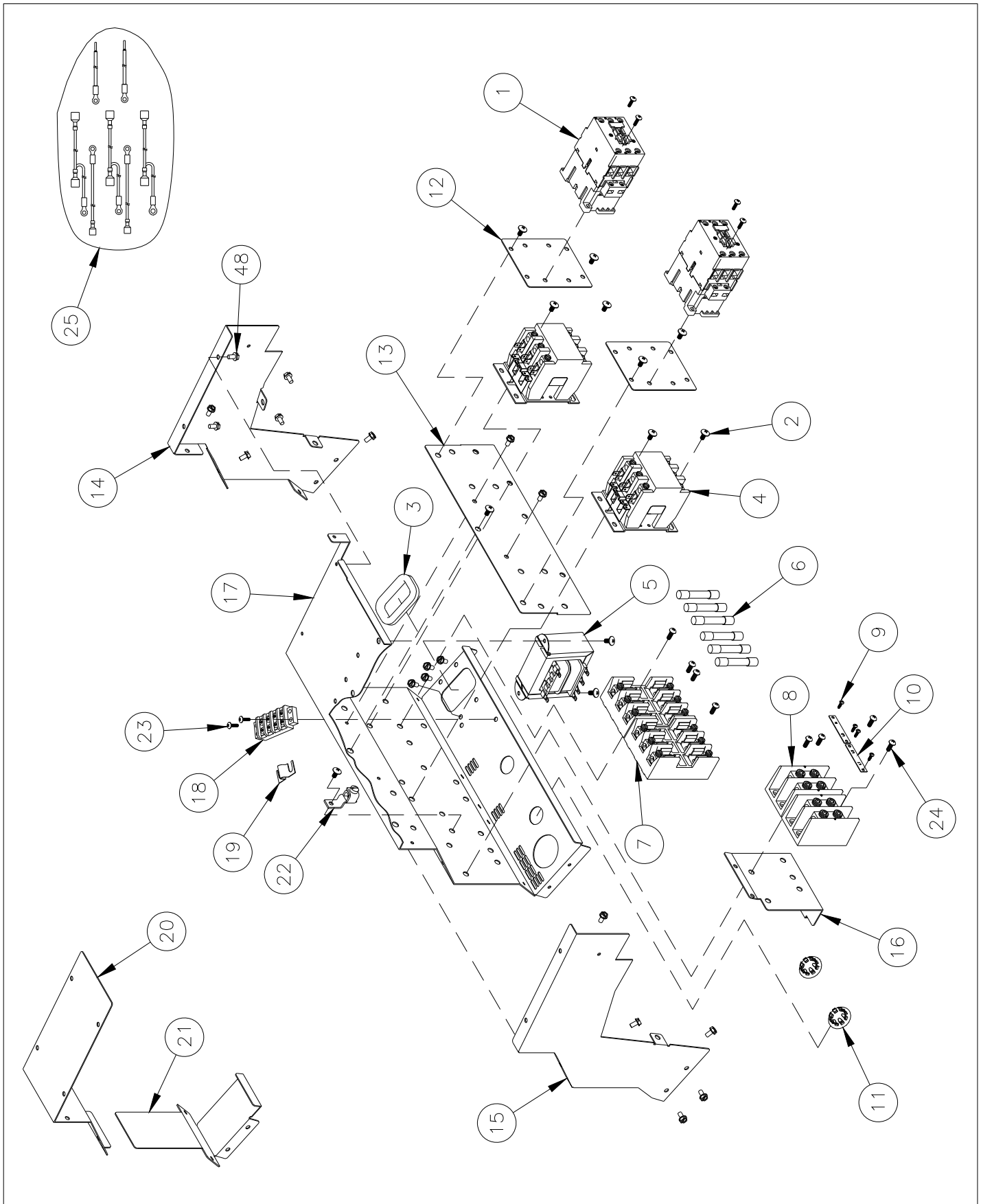
Fryer Cabinet Drawing B Parts List

ITEM#	PART#	PART DESCRIPTION
8	B3633605-C	TOP DECK SE14
	B3633601-C	TOP DECK SE14/SE14
	B3633701-C	TOP DECK SE14/SE14/SE14
	B3633801-C	TOP DECK SE14/SE14/SE14/SE14
	B3633603-C	TOP DECK SE14/SE18
	B3633702-C	TOP DECK SE14/SE14/SE18
	B3633703-C	TOP DECK SE14/SE18/SE14
	B3633705-C	TOP DECK SE14/SE18/SE18
	B3633802-C	TOP DECK SE14/SE14/SE14/SE18
	B3633803-C	TOP DECK SE14/SE14/SE18/SE14
	B3633804-C	TOP DECK SE14/SE18/SE14/SE14
	B3633806-C	TOP DECK SE14/SE14/SE18/SE18
	B3633807-C	TOP DECK SE14/SE18/SE14/SE18
	B3633809-C	TOP DECK SE14/SE18/SE18/SE14
	B3633815-C	TOP DECK SE14/SE18/SE18/SE18
	B3633606-C	TOP DECK SE18
	B3633602-C	TOP DECK SE18/SE18
	B3633708-C	TOP DECK SE18/SE18/SE18
	B3633816-C	TOP DECK SE18/SE18/SE18/SE18
	B3633604-C	TOP DECK SE18/SE14
	B3633704-C	TOP DECK SE18/SE14/SE14
	B3633706-C	TOP DECK SE18/SE14/SE18
	B3633707-C	TOP DECK SE18/SE18/SE14
	B3633805-C	TOP DECK SE18/SE14/SE14/SE14
	B3633808-C	TOP DECK SE18/SE14/SE14/SE18
	B3633810-C	TOP DECK SE18/SE14/SE18/SE14
	B3633811-C	TOP DECK SE18/SE18/SE14/SE14
	B3633812-C	TOP DECK SE18/SE18/SE18/SE14
B3633813-C	TOP DECK SE18/SE18/SE14/SE18	
B3633814-C	TOP DECK SE18/SE14/SE18/SE18	
B3633607-C	TOP DECK SE147, SE714	
38	B1822714-C	CABINET ASSEMBLY SE14, SE14T
	B1822712-C	CABINET ASSEMBLY SE14, SE14T TALL BACK
	B1822706-C	CABINET ASSEMBLY SE18
	B1822713-C	CABINET ASSEMBLY SE18 TALL BACK
	B1822710-C	CABINET ASSEMBLY SFSE14, SFSE14T
	B1822711-C	CABINET ASSEMBLY SFSE18
	B1824801-C	CABINET ASSEMBLY SE147
	B1824802-C	CABINET ASSEMBLY SE714
	B1822714-C	CABINET ASSEMBLY SE14BNB FLAT TOP
	B1822715-C	CABINET ASSEMBLY SE18BNB FLAT TOP

Entrance Box Drawing C Parts List

ITEM#	PART#	PART DESCRIPTION
1	60139201	CONTACTOR 3P 50A 690V IEC
2	PP10693	SCREW 10 - 24 X 3/8 TH PHILIPS
3	P6071228	GROMMET 1.703ID X 2.50OD X 2.00 GROOVE
4	PP10560	CONTACTOR 24 VAC - 3 POLE QUICK CONNECT
5	PP10429	TRANSFORMER 80VA 120V - 240V TO 24VAC
	PP10428	TRANSFORMER 80VA 380V - 480V TO 24VAC
6	P5045701	FUSE 40A SLO BLOW
7	P5045792	FUSE BLOCK
8	P5047301	TERMINAL BLOCK 3 POST
	P5047302	TERMINAL BLOCK 2 POST
9	PP10605	FASTNER TERMINAL BLOCK
10	A6043901	MARKING STRIP L3 & N
	P6094940	MARKING STRIP L1 & L2
	P6094942	MARKING STRIP L1 TO L3
11	P6071490	HOLE PLUG 7/8
12	A2960501-C	CONTACTOR PLATE
13	A2962501-C	ENTRANCE BOX MOUNTING PLATE (SE14, SE14T)
	A2962503-C	ENTRANCE BOX MOUNTING PLATE (SE18)
14	A2962303-C	ENTRANCE BOX SIDE RH (SE14, SE14T, SE147)
	A2962403-C	ENTRANCE BOX SIDE RH (SE18)
15	A2962301-C	ENTRANCE BOX SIDE LH (SE14, SE14T, SE147)
	A2962401-C	ENTRANCE BOX SIDE LH (SE18)
16	A2963701-C	TERMINAL BLOCK MOUNTING PLATE (SE18 ONLY)
17	B2914902-C	ENTRANCE BOX (SE14, SE14T, SE147)
	B2914903-C	ENTRANCE BOX (SE18)
	B2914904-C	ENTRANCE BOX (SE7)
18	P5045282	BARRIER TERMINAL BLOCK 4 POLE
19	P5045285	BARRIER TERMINAL BLOCK JUMPER
20	A2964601-C	ENTRANCE BOX, EXTENSIONS UPPER (SE147, SE714)
21	A2964501-C	ENTRANCE BOX, EXTENSIONS LOWER (SE147, SE714)
22	60145301	ALUMINUM GROUNDING LUG
23	PP10690	SCREW 6 - 32 X 1/2 TH PHILIPS
24	60072101	SCREW 10 - 24 X 3/8 RDH PHILIPS
25	B6752801	HARNESS TRANSFORMER/PUMP/B/L SUPPLY SE14, SE14T, SE147
	B6756101	HARNESS TRANSFORMER/PUMP/B/L SUPPLY SE18

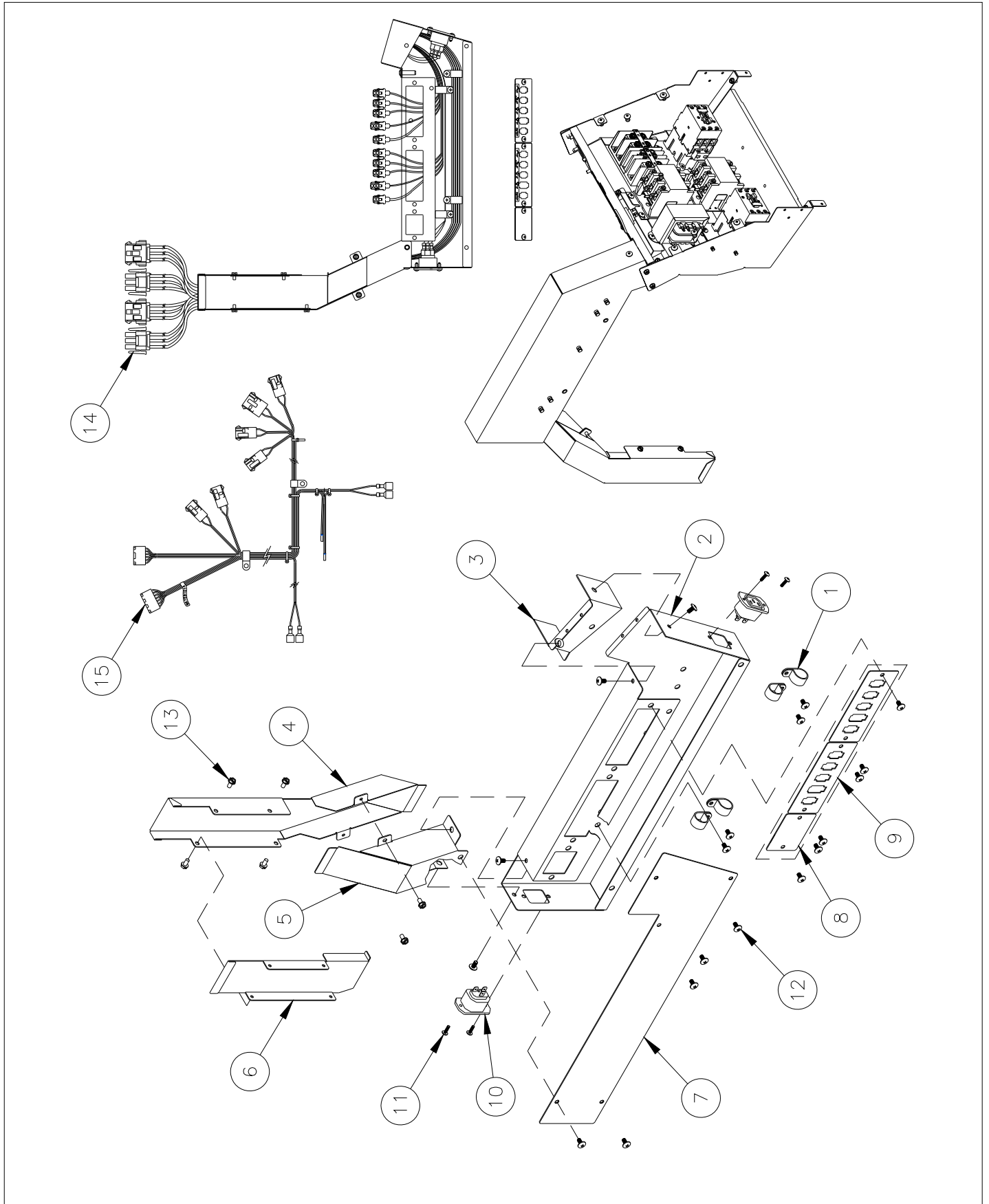
Entrance Box Drawing C



Entrance Box Wire Channel Drawing D Parts List

ITEM#	PART#	PART DESCRIPTION
1	60058302	CABLE CLAMP (NYLON)
2	A2963101-C	ENTRANCE BOX RACEWAY SE14, SE14T
	A2963201-C	ENTRANCE BOX RACEWAY SE18
3	A2963401-C	ENTRANCE BOX RACEWAY OUTLET SE14, SE14T
	A2963001-C	ENTRANCE BOX RACEWAY OUTLET SE18
4	A2960201-C	ENTRANCE BOX VERTICLE RACEWAY
5	A2963301-C	ENTRANCE BOX VERTICLE RACEWAY SIDE
6	A2960401-C	ENTRANCE BOX VERTICLE RACEWAY COVER
7	A2963501-C	ENTRANCE BOX RACEWAY COVER SE14, SE14T
	A2963503-C	ENTRANCE BOX RACEWAY COVER SE18
8	A2959809-C	ENTRANCE BOX BASKET LIFT PLATE SE14T, SE147
	A2959813-C	ENTRANCE BOX BASKET LIFT PLATE SE14, SE18
	A2959817-C	ENTRANCE BOX BASKET LIFT PLATE YUM!
9	A2959811-C	ENTRANCE BOX, HI-LIMIT/PROBE/DVI PLATE
	A2959815-C	ENTRANCE BOX, HI-LIMIT/PROBE/DVI BLANK PLATE SE14, SE18
10	60140701	RECEPTICLE 10A - 250V IE320F SCREW IN
11	PP10690	SCREW 6 - 32 X 1/2 TH PHILLIPS
12	PP10693	SCREW 10 - 24 X 3/8 TH PHILLIPS
13	PP10023	SCREW 10 - 24 X 3/8 SELF TAPPING
14	B6760901	HIGH VOLTAGE HARNESS SE14 DELTA/SINGLE W/FUSE
	B6760802	HIGH VOLTAGE HARNESS SE14 DELTA/SINGLE W/O FUSE
	B6753201	HIGH VOLTAGE HARNESS SE14 WYE
	B6760902	HIGH VOLTAGE HARNESS SE18 DELTA/SINGLE W/FUSE
	B6760803	HIGH VOLTAGE HARNESS SE18 DELTA/SINGLE W/O FUSE
	B6754401	HIGH VOLTAGE HARNESS SE18 WYE
	B6760701	HIGH VOLTAGE HARNESS SE14T DELTA/SINGLE W/FUSE
	B6760602	HIGH VOLTAGE HARNESS SE14T DELTA/SINGLE W/O FUSE
	B6753501	HIGH VOLTAGE HARNESS SE14T WYE
	B6759001	HIGH VOLTAGE HARNESS SE7 W/O DELTA/SINGLE FUSE
15	B6756401	HIGH VOLTAGE HARNESS SE7 WYE
	B6752401	CONTROL HARNESS SE14, SE18, SE14T LH
	B6752501	CONTROL HARNESS SE14T RH
	B6759101	CONTROL HARNESS SE14T RH KFC
	B6758901	CONTROL HARNESS SE14, SE18, SE14T LH KFC
	B6756701	CONTROL HARNESS SE147
	B6759001	CONTROL HARNESS SE7

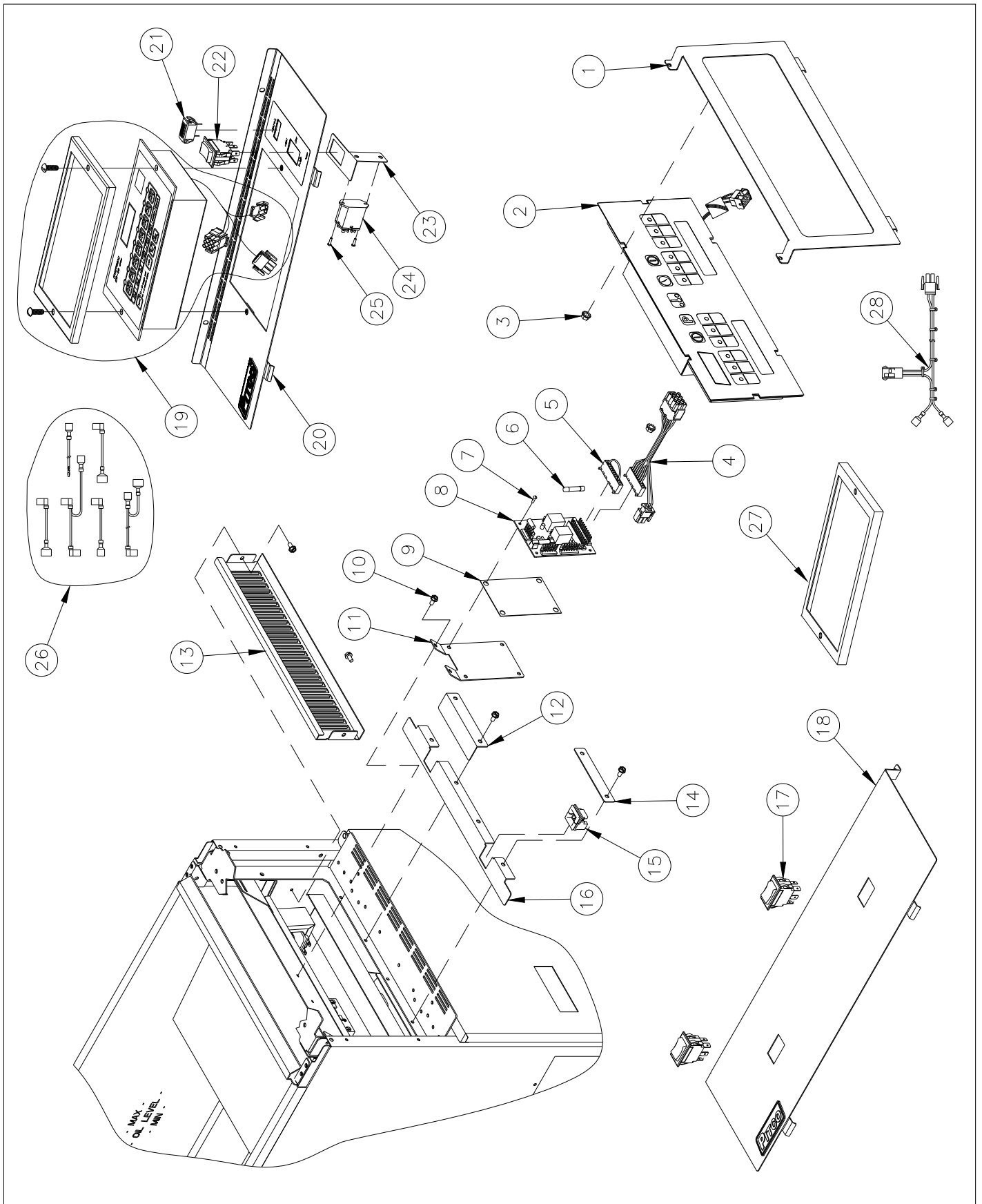
Entrance Box Wire Channel Drawing D



Front Panel And Control Box Drawing E Parts List

ITEM#	PART#	PART DESCRIPTION
1	B3631304-C	FRONT PANEL BEZEL SE14 (COMPUTER CONTROL)
	B3631305-C	FRONT PANEL BEZEL SE18 (COMPUTER CONTROL)
	B3631306-C	FRONT PANEL BEZEL SE147, SE714 (COMPUTER CONTROL)
	B3631803-C	FRONT PANEL BEZEL SE14 (BLANK)
	B3631804-C	FRONT PANEL BEZEL SE18 (BLANK)
2	60126601	3300 DIGITAL T-STAT SE14, SE18
	60126701	3300 DIGITAL T-STAT SE14T, SE147, SE714
	60126801	3600 COMPUTER SE14, SE18
	60126802	3600 COMPUTER SE14T
	PP11370	3600-14 COMPUTER I-12 (WHATABURGER)
	PP11371	3600-14 COMPUTER I-8 (WHATABURGER)
3	P0092300	NUT, 10- 24 HEX (KEP)
4	B6746501	WIRING RELAY BOARD TO CONTROL
	B6747501	WIRING RELAY BOARD TO CONTROL (KFC)
	B6755801	WIRING RELAY BOARD TO CONTROL (WHATABURGER)
	B6759201	WIRING RELAY BOARD TO CONTROL SE14T (KFC)
5	B6747001	WIRING RELAY BOARD NO BACK UP OPTION
6	60132703	FUSE CERAMIC 2.5A FA 1/4 X 1-1/4
7	60066801	SCREW 4 40 X .375
8	60127301	CONTROL RELAY BOARD
	60133401	CONTROL RELAY BOARD (KFC)
9	60132601	RELAY BOARD INSULATION
10	PP10023	SCREW 10 - 24 X 3/8 SELF TAPPING
11	A3672201-C	FRONT PANEL RELAY BOARD MOUNTING BRACKET
12	A2034801-C	CONTROL BOX CABLE RETAINER (NO BACK UP OPTION)
13	A3673101-C	FRONT PANEL ENTRANCE BOX SHIELD SE14
	A3673103-C	FRONT PANEL ENTRANCE BOX SHIELD SE18
	A3673105-C	FRONT PANEL ENTRANCE BOX SHIELD SE147
14	A2034601-C	CONTROL BOX CABLE RETAINER (CONTROL AND BACK UP)
15	60130501	STRAIN RELIEF
16	A3672401-C	FRONT PANEL STRAIN RELIEF SUPPORT SE14
	A3672403-C	FRONT PANEL STRAIN RELIEF SUPPORT SE18
	A3672405-C	FRONT PANEL STRAIN RELIEF SUPPORT SE7
	A3672407-C	FRONT PANEL STRAIN RELIEF SUPPORT SE147, SE714
17	PP10995	ROCKER SWITCH SPST W/BK (I-O) W/IE
18	A3673804-C	FRONT PANEL BEZEL SE147
19		FAST EM90/EM99 COMPUTER. CONTACT 1-800-243-9271 FOR SERVICE
20	B3632703-C	FRONT PANEL BEZEL SE14 (KFC)
	B3632704-C	FRONT PANEL BEZEL SE14T (KFC)
	B3632705-C	FRONT PANEL BEZEL SE18 (KFC)
21	P5045004	RECTANGLE AMBER LAMP 28V (KFC)
22	PP10654	ROCKER SWITCH SPST W/BK (I-O) (KFC)
	PP10559	ROCKER SWITCH DPDT W/BK (0-1-(1)) (KFC) (W/DVI)
23	A3675403-C	FRONT PANEL BRACKET RELAY (KFC) (W/DVI)
24	P5046686	RELAY 24VAC DPDT WITH MOUNTING TABS (KFC) (W/DVI)
25	60066801	SCREW 4 - 40 X .375
26	B6759701	WIRING DRAIN INTER LOCK (FKC) (W/DVI)
27	A3637002-C	FRONT PANEL REMOTE COMPUTER BEZEL SE7
	A3637004-C	FRONT PANEL REMOTE COMPUTER BEZEL SE147
28	B6755901	WIRING SWITCH PANEL SE147

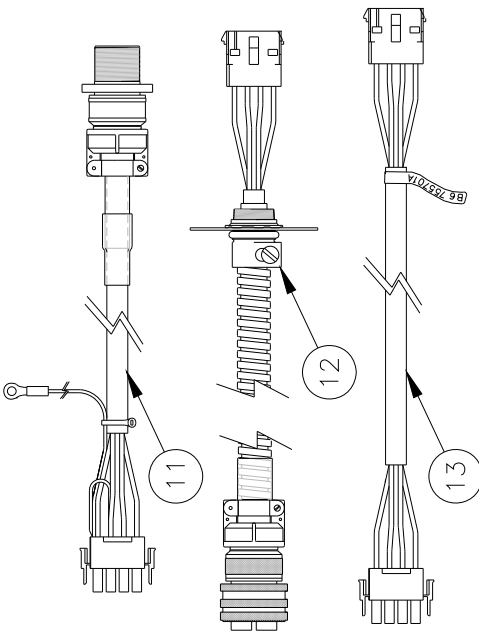
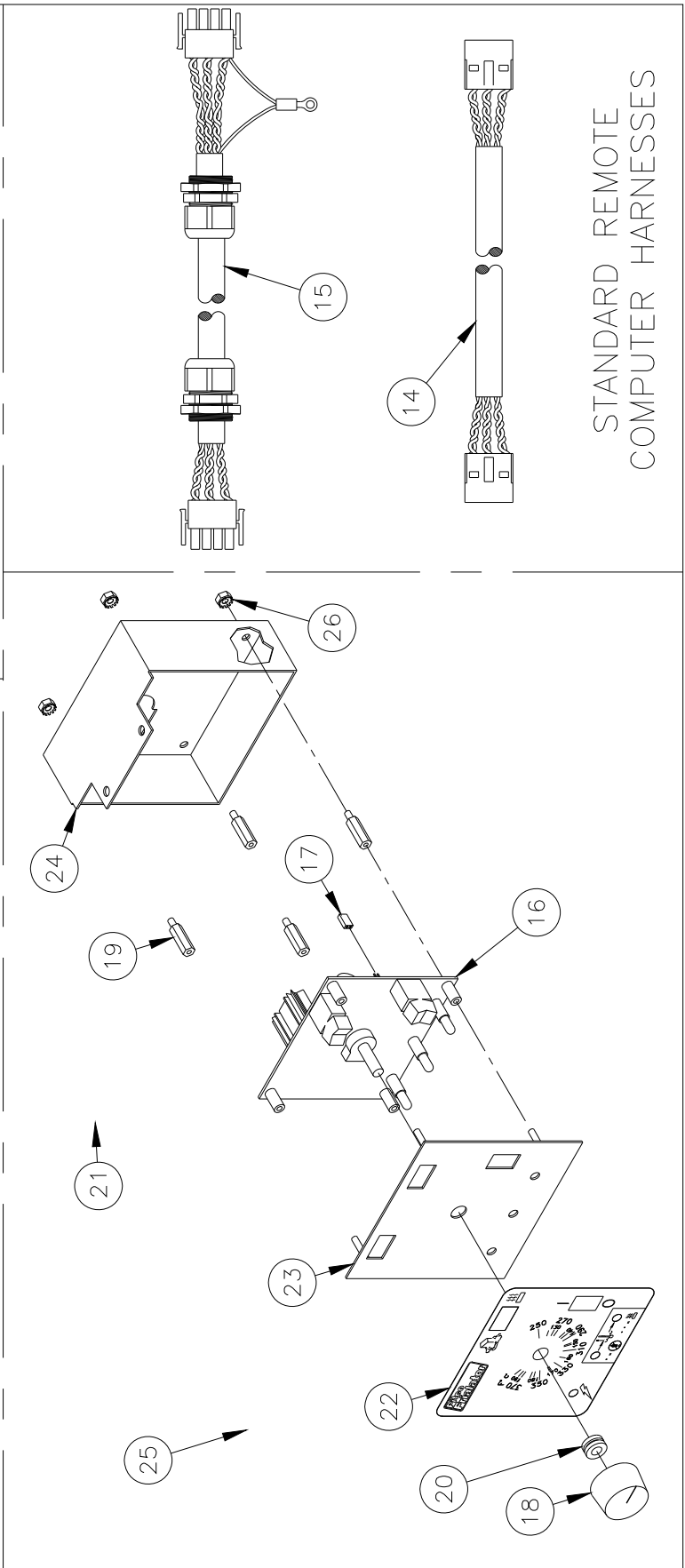
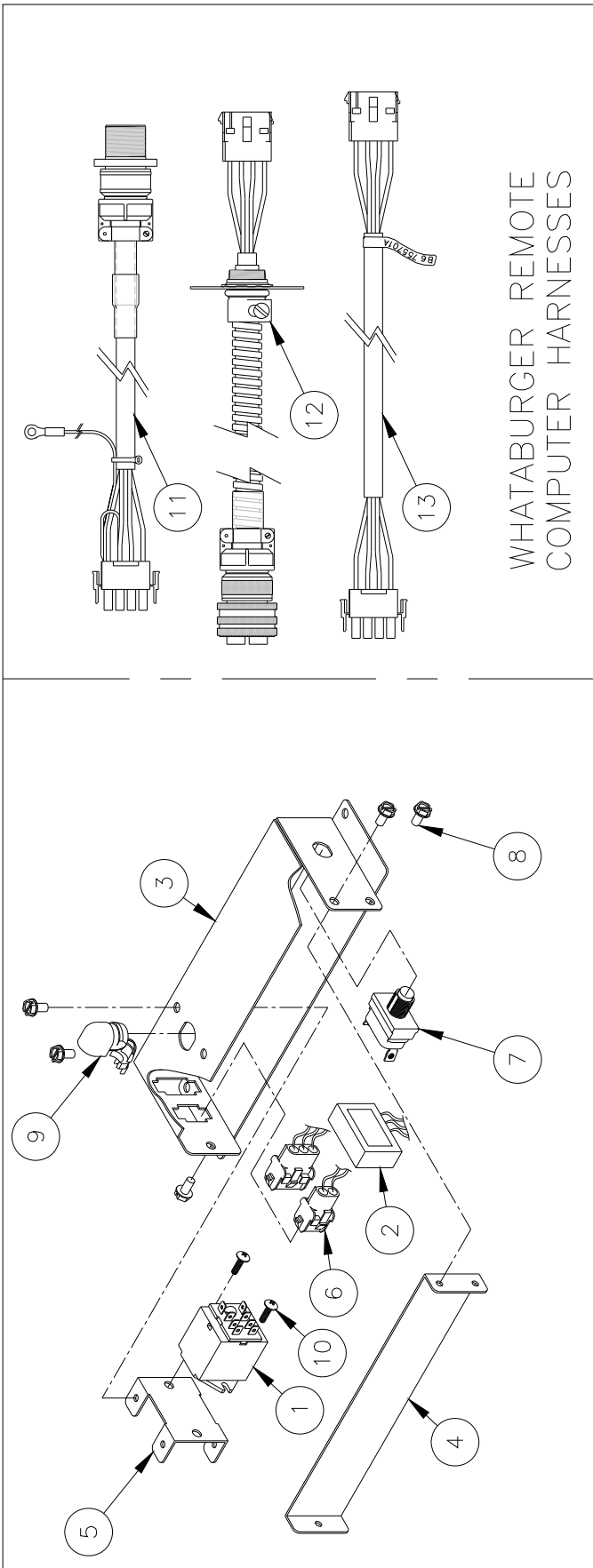
Front Panel And Control Box Drawing E



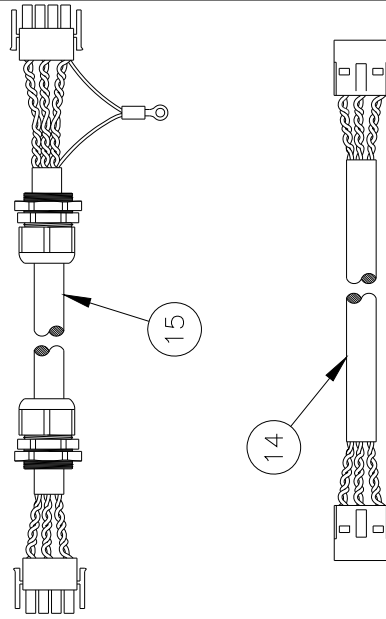
Fryer Small Assemblies Drawing F Parts List

ITEM#	PART#	PART DESCRIPTION
1	60126001	RELAY 24VAC 3PDT W/ MOUNTING TABS
2	60143301	CONTROL POWER ON RESET CIRCUIT
3	A2036401-C	HI-LIMIT RESET BOX OUTER RH
	A2036403-C	HI-LIMIT RESET BOX OUTER LH
4	A2036501-C	HI-LIMIT RESET BOX LOWER
5	A2036601-C	HI-LIMIT RESET BOX RELAY BRACKET
6	B6751401	HI-LIMIT RESEST WIRING
7	P5047151	PUSH BUTTON SWITCH SPST (1)-0
8	PP10023	SCREW 10 - 24 X 3/8 SELF TAPPING
9	P5047151	STRAIN RELIEF BUSHING RIGHT ANGLE
10	PP10687	SCREW 6 - 32 X 5/16 TH PHILLIPS
11	B6755501	WIRING HARNESS, REMOTE HOOD WHATABURGER
12	B6755601	WIRING HARNESS, REMOTE FRYER (SHIELDED) WHATABURGER
13	B6755701	WIRING HARNESS, INTERNAL CABINET WHATABURGER
14	B6749301	WRG,CNTL RMT INTERNAL
15	B6749401	WRG,CNTL RMT EXTERNAL (HOOD)
16	60126401	SOLID STATE CONTROL BOARD PRIMARY
	60126301	SOLID STATE CONTROL BOARD BACK-UP
17		MELT CYCLE JUMPER PART OF ITEM 16
18	60129402	KNOB
19	60129501	STANDOFF, 6-32
20	60001201	GROMMET,.50 OD X.25 ID X .375 THK
21	60130501	STRAIN RELIEF LAY-IN
22	A6084001	LABEL SOLID STATE T-STAT PRIMARY
	A6084101	LABEL SOLID STATE T-STAT BACK-UP
23	B2003501	CONTROL BOX SHEETMETAL ENCLOSURE
24		CONTROL BOX SHEETMETAL ENCLOSURE OUTER PART OF ITEM 23
25	B6746601	WIRING HARNESS RELAY BOAD TO T-STAT SE14,SE18,SE14T
	B6756301	WIRING HARNESS RELAY BOAD TO T-STAT SE147
26	P0091101	NUT 6-32 HEX
27	B2004203-C	SOLID STATE T-STAT COMPLETE
	B2004204-C	BACK-UP SOLID STATE T-STAT COMPLETE
	B2004208-C	BACK-UP SOLID STATE T-STAT COMPLETE SE147
28	B2004901-C	HI-LIMIT RESET BOX RH ASSEMBLY CE
	B2004902-C	HI-LIMIT RESET BOX LH ASSEMBLY CE

Fryer Small Assemblies Drawing F



WHATABURGER REMOTE
COMPUTER HARNESSES

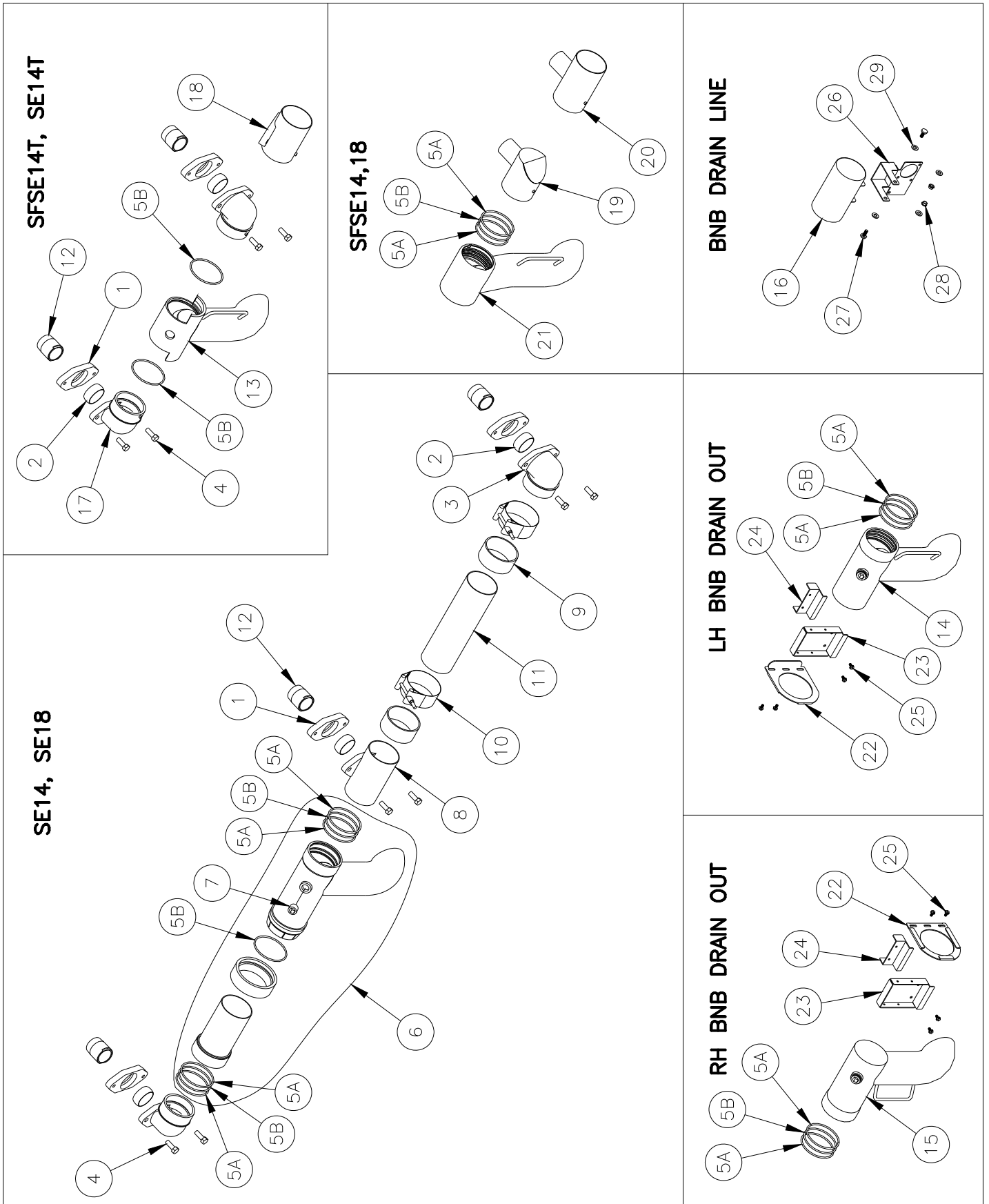


STANDARD REMOTE
COMPUTER HARNESSES

Fryer Drain Line Drawing G Parts List

ITEM#	PART#	PART DESCRIPTION
1	A7022201	FILTER DRAIN FLANGE
2	A7022101	FILTER DRAIN SEAL FERRULE
3	B6665101	FILTER DRAIN ELBOW
4	60088002	3/8-16 X 1-1/4 SCREW
5A	60068303	FLUROPOLYMER O-RING, 3" X 3.25 OD (WHITE)
5B	60068302	VITON O-RING (BLACK)
6	B6678301	FILTER DRAIN LINE DOWN SPOUT SE14
	B6678302	FILTER DRAIN LINE DOWN SPOUT SE18, SE18/SE14, SE14/SE18
	B6670401	FILTER DRAIN LINE DOWN SPOUT SE14T/SE14, SE147, SE714
	B6670403	FILTER DRAIN LINE DOWN SPOUT SE14T/SE18
7	60137501	STEEL PLUG, 1/2NPT INTERNAL HEX
8	B6665201	FILTER DRAIN TEE
9	60059301	DRAINLINE GASKET
10	60127701	QUICK RELEASE BAND CLAMP
11	A7022401	DRAIN LINE TUBE SE18/SE18
	A7022407	DRAIN LINE TUBE SE14/SE14
	A7022409	DRAIN LINE TUBE SE14T/SE14
	A7022411	DRAIN LINE TUBE SE14T/SE14T
	A7022417	DRAIN LINE TUBE SE14/SE18, SE18/SE14
	A7022419	DRAIN LINE TUBE SE14T/SE18, SE18/SE14T
12	A7021701	FILTER, NIPPLE ADAPTER
13	B6666701	FILTER DRAIN OUTLET SE14T/14T, SFSE14T
14	B6665301	FILTER DRAIN OUTLET LH
15	B6665401	FILTER DRAIN OUTLET RH SG14/BNB
	B6665402	FILTER DRAIN OUTLET RH SG14T/BNB
	B6665403	FILTER DRAIN OUTLET RH SG18/BNB
16	B6665501	B-N-B DRAIN LINE
17	B6666801	FILTER DRAIN ELBOW SE14T, SFSE14T LH/RH
18	B6666901	FILTER DRAIN TEE SE14T
19	B6671402	FILTER DRAIN FIXED ELBOW SFSE14, SFSE18
20	B6675802	FILTER DRAIN TEE SFSE14, SFSE18
21	B6674401	FILTER DRAIN LINE DOWN SPOUT SFSE14
	B6674001	FILTER DRAIN LINE DOWN SPOUT SFSE18
22	A7023701-C	FILTER DRAIN OUTLET SUPPORT BRACKET
23	A7023801-C	FILTER DRAIN OUTLET SUPPORT MOUNTING BRACKET INNER
24	A7023901-C	FILTER DRAIN OUTLET SUPPORT MOUNTING BRACKET OUTER
25	P0075400	SCREW, 10-24 X 1/2 SELF TAPPING
26	A7024201-C	FILTER DRAIN LINE SUPPORT SEBNB14
	A7031801-C	FILTER DRAIN LINE SUPPORT SEBNB18
27	P0113300	SCREW, 1/4 - 20 X 3/8
28	PP10668	ACORN NUT, 1/4 - 20
29	P0080650	WASHER, FLAT 1/4

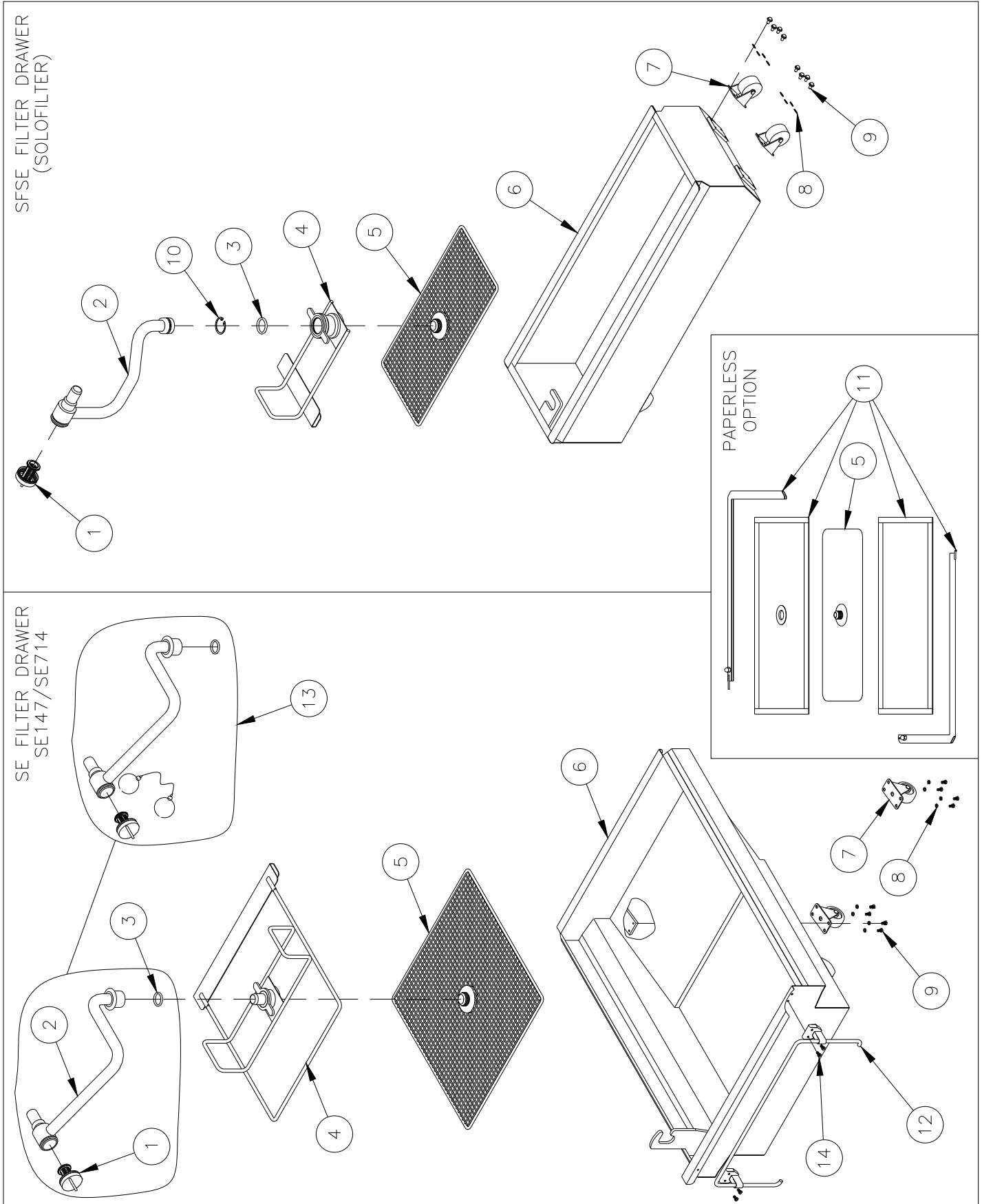
Fryer Drain Line Drawing G



Filter Assembly Drawing H Parts List

ITEM#	PART#	PART DESCRIPTION
1	B6671201	FILTER, STRAINER CAP SEFD
	B6671202	FILTER, STRAINER CAP SE147
2	B6674802	FILTER, PICKUP TUBE SEFD
	B6677901	FITLER, PICKUP TUBE SE147
	B6673901	FILTER, PICKUP TUBE SFSE14
	B6671001	FITLER, PICKUP TUBE SFSE18
3	60068301	O-RING, VITON 1" ID X 1.375" OD
4	B6663901	FILTER, SUPPORT CLIP SEFD PAPER
	B6676502	FILTER, SUPPORT CLIP SE147 PAPER
	B6666601	FILTER, SUPPORT CLIP SEFD, SE147, SE714 PAPERLESS
	B6671102	FILTER, SUPPORT CLIP SFSE14 PAPER
	B6671103	FILTER, SUPPORT CLIP SFSE18 PAPER
	B6677401	FILTER, SUPPORT CLIP SFSE* PAPERLESS
	B6676501	FILTER, SUPPORT CLIP 14 X 22 PAPER
5	B6664301	FILTER, SUPPORT SEFD PAPER
	B6664303	FILTER, SUPPORT SE147, SFSE14 PAPER
	B6664002	FILTER, SUPPORT SEFD, SFSE18, SE147 PAPERLESS
	B6664003	FILTER, SUPPORT SFSE14 PAPERLESS
	B6664304	FILTER, SUPPORT SFSE18. 14 X 22 PAPER
6	B6670802	FILTER, PAN SFSE14
	B6670801	FILTER, PAN SFSE18
	B6674701	FILTER, PAN SEFD
	B6678801	FILTER, PAN SE147
7	60131401	RIGID 2.5" CASTER
8	PP11208	LOCK WASHER #10 SST (SPLIT)
9	P0011300	SCREW, 10-24 X 3/8
10	60136301	EXTERNAL RETAINING RING 1-7/16"
11	B6629701	FILTER, PAPERLESS WIRE MESH ENVELOPE
	B6629703	FILTER, PAPERLESS WIRE MESH ENVELOPE SFSE14*
12	B4004101	FILTER, PAN HANDLE (HARDEES)
13	B6674902	FITLER PICK UP ASSEMBLY (PIZZA HUT)
14	PP112000	SCREW, 10-24 X 1/2

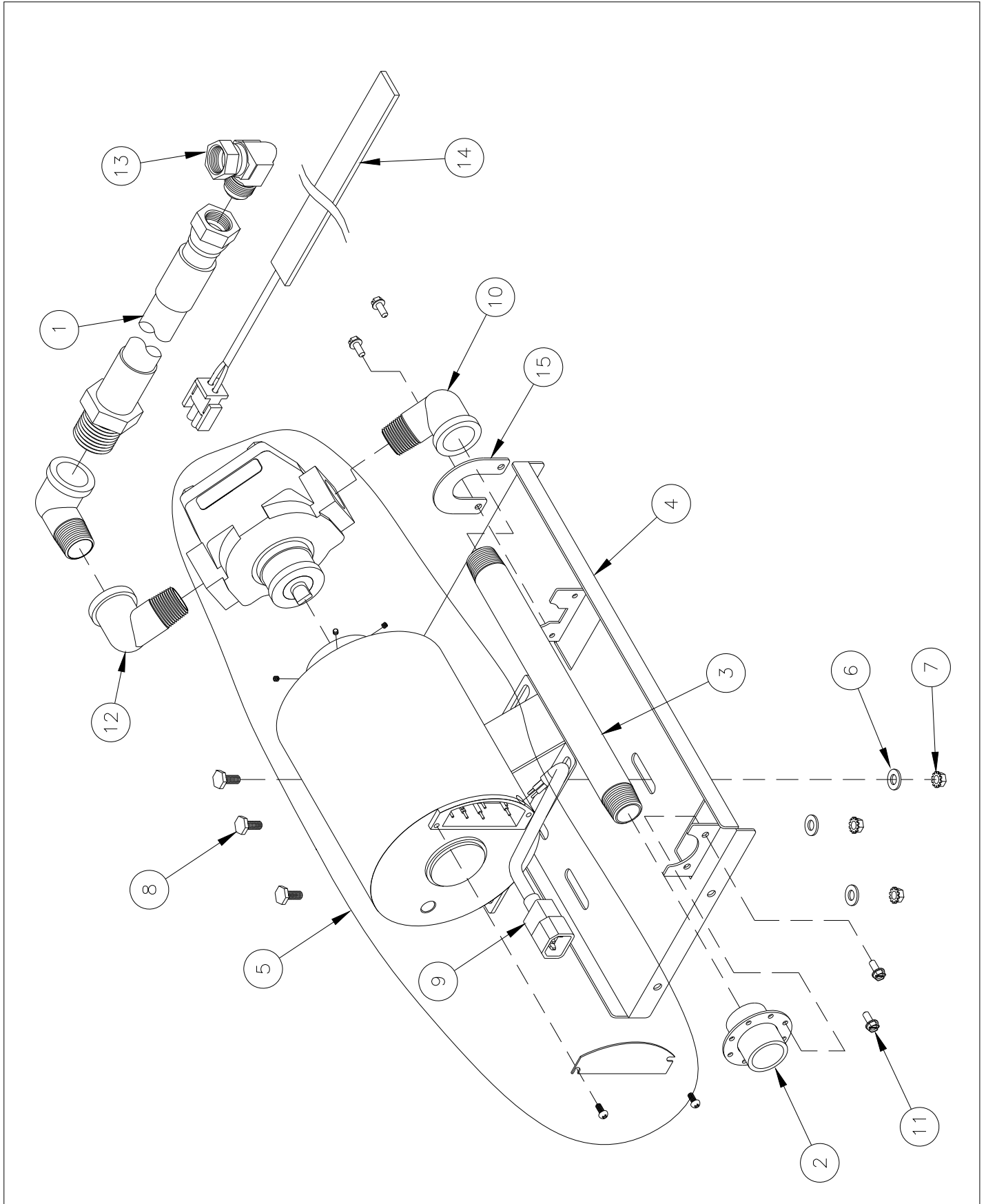
Filter Assembly Drawing H



SEFD Pump Assembly Drawing J1 Parts List

ITEM#	PART#	PART DESCRIPTION
1	60132201	FLUROPOLYMER HOSE 3/4 NPT FEMALE SWIVEL X 3/4 MPT
2	B6677001	FILTER INLET COUPLING
3	60131306	NIPPLE 3/4NPT X 11 BLACK IRON
4	A7029201-C	FILTER PUMP MOUNTING PLATE
5	60130801	PUMP ASSEMBLY 8GPM .3HP 115/220V (50/60HZ)
	60130802	PUMP ASSEMBLY 8GPM .3HP 240V (50HZ)
	60130803	PUMP MOTOR ONLY 8GPM .3HP 115/220V (50/60HZ)
	60130804	PUMP MOTOR ONLY 8GPM .3HP 240V (50HZ)
	60130805	PUMP HEAD ONLY 8GPM (NO MOTOR)
	60130808	PUMP ASSEMBLY 8GPM .3HP 208V (50/60HZ)
	60130809	PUMP MOTOR ONLY 8GPM .3HP 208V (50/60HZ)
6	P0080750	WASHER 5/16 FLAT
7	PP10828	NUT HEX 5/16 - 18 (KEP)
8	PP11261	BOLT 5/16 X 3/4
9	PP11338	POWER CORD MALE IEC-320 16-3 AWG (SEFD)
10	A7021301	FILTER INLET ELBOW
11	PP10023	SCREW 10 - 24 X 3/8 SELF TAPPING
12	P7037751	STREET ELBOW BLACK IRON 90° 3/4NPT
13	A8033801	ELBOW FEMALE X MALE 15/16 FLARE
14	60133505	HEATER TAPE 33W 120V 1/2 X 48
	60133506	HEATER TAPE 33W 240/220V 1/2 X 48
	60133509	HEATER TAPE 33W 208V 1/2 X 48
15	A7092201-C	FILTER PIPING CLAMP (SE147, SE714)
16	B6678201-C	FILTER PUMP ASSEMY 115V W/O HEAT TAPE
	B6678202-C	FILTER PUMP ASSEMY 208V W/O HEAT TAPE
	B6678203-C	FILTER PUMP ASSEMY 220V W/O HEAT TAPE
	B6678204-C	FILTER PUMP ASSEMY 240V W/O HEAT TAPE
	B6678205-C	FILTER PUMP ASSEMY 115V WITH HEAT TAPE
	B6678206-C	FILTER PUMP ASSEMY 208V WITH HEAT TAPE
	B6678207-C	FILTER PUMP ASSEMY 220V WITH HEAT TAPE
	B6678208-C	FILTER PUMP ASSEMY 240V WITH HEAT TAPE

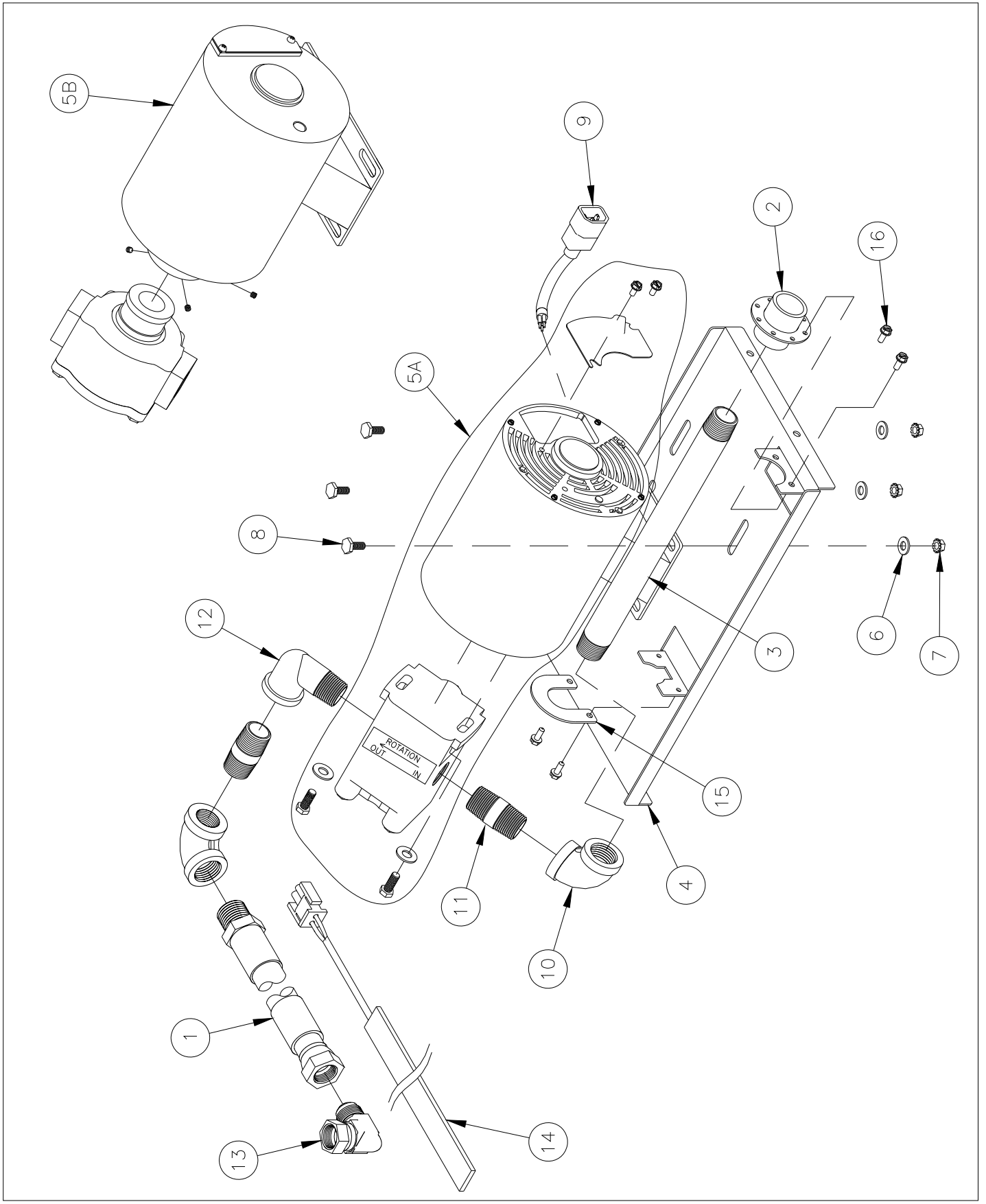
SEFD Pump Assembly Drawing J1



Solo Filter and SE147, SE714 PUMP Assembly Drawing J2 Parts List

ITEM#	PART#	PART DESCRIPTION
1	60132201	FLUROPOLYMER HOSE 3/4 NPT FEMALE SWIVEL X 3/4 MPT
2	P7036603	COUPLING 3/4NPT (CRS) SEFD
	B6677001	FILTER INLET COUPLING SE147, SE714
3	60131306	NIPPLE 3/4NPT X 11 BLACK IRON
4	A7028901-C	FILTER PUMP MOUNTING PLATE SEFD
	A7029701-C	FILTER PUMP MOUNTING PLATE SE147, SE714
5A	60143501	PUMP ASSEMBLY 8GPM .3HP 115/230V (50/60HZ) (SE147, SE714)
	60143503	PUMP ASSEMBLY 8GPM .3HP 208/240V (50/60HZ) (SE147, SE714)
	60143505	PUMP MOTOR ONLY 8GPM .3HP 115/230V (50/60HZ) (SE147, SE714)
	60143506	PUMP MOTOR ONLY 8GPM .3HP 208/240V (50/60HZ) (SE147, SE714)
	60143507	PUMP HEAD ONLY 8GPM (NO MOTOR) (SE147, SE714)
5B	60130801	PUMP ASSEMBLY 8GPM .3HP 115/220V (50/60HZ) (SEFD)
	60130802	PUMP ASSEMBLY 8GPM .3HP 240V (50HZ) (SEFD)
	60130803	PUMP MOTOR ONLY 8GPM .3HP 115/220V (50/60HZ) (SEFD)
	60130804	PUMP MOTOR ONLY 8GPM .3HP 240V (50HZ) (SEFD)
	60130805	PUMP HEAD ONLY 8GPM (NO MOTOR) (SEFD)
	60130808	PUMP ASSEMBLY 8GPM .3HP 208V (50/60HZ) (SEFD)
	60130809	PUMP MOTOR ONLY 8GPM .3HP 208V (50/60HZ) (SEFD)
6	P0080650	WASHER 1/4 FLAT
	P0080750	WASHER 5/16 FLAT
7	60069101	NUT WITH CENTER LOCK 1/4 - 20
	PP10828	NUT HEX 5/16 - 18 (KEP)
8	P0020600	SCREW 1/4 - 20 X 5/8
	PP11261	BOLT 5/16 X 3/4
9	PP11338	POWER CORD MALE IEC-320 16-3 AWG (SEFD)
10	P9037679	ELBOW BLACK IRON 90° 3/4NPT
11	P7037350	NIPPLE BLACK IRON 3/4NPT CLOSE (SEFD)
	P7037355	NIPPLE 3/4NPT X 2 BLACK IRON (SE147, SE714)
12	P7037751	STREET ELBOW BLACK IRON 90° 3/4NPT
13	A8033801	ELBOW FEMALE X MALE 15/16 FLARE
14	60133505	HEATER TAPE 33W 120V 1/2 X 48
	60133506	HEATER TAPE 33W 240/220V 1/2 X 48
	60133509	HEATER TAPE 33W 208V 1/2 X 48
15	A7092201-C	FILTER PIPING CLAMP (SE147, SE714)
16	PP10023	SCREW 10 - 24 X 3/8 SELF TAPPING
17	B6674601-C	FILTER PUMP ASSEMY 115V W/O HEAT TAPE (SEFD)
	B6674602-C	FILTER PUMP ASSEMY 208V W/O HEAT TAPE (SEFD)
	B6674603-C	FILTER PUMP ASSEMY 220V W/O HEAT TAPE (SEFD)
	B6674604-C	FILTER PUMP ASSEMY 240V W/O HEAT TAPE (SEFD)
	B6674605-C	FILTER PUMP ASSEMY 115V WITH HEAT TAPE (SEFD)
	B6674606-C	FILTER PUMP ASSEMY 208V WITH HEAT TAPE (SEFD)
	B6674607-C	FILTER PUMP ASSEMY 220V WITH HEAT TAPE (SEFD)
	B6674608-C	FILTER PUMP ASSEMY 240V WITH HEAT TAPE (SEFD)
	B6678501-C	FILTER PUMP ASSEMY 115V W/O HEAT TAPE (SE147,SE714)
	B6678502-C	FILTER PUMP ASSEMY 208V W/O HEAT TAPE (SE147,SE714)
	B6678503-C	FILTER PUMP ASSEMY 230V W/O HEAT TAPE (SE147,SE714)
	B6678504-C	FILTER PUMP ASSEMY 240V W/O HEAT TAPE (SE147,SE714)
	B6678505-C	FILTER PUMP ASSEMY 115V WITH HEAT TAPE (SE147,SE714)
	B6678506-C	FILTER PUMP ASSEMY 208V WITH HEAT TAPE (SE147,SE714)
	B6678507-C	FILTER PUMP ASSEMY 230V WITH HEAT TAPE (SE147,SE714)
	B6678508-C	FILTER PUMP ASSEMY 240V WITH HEAT TAPE (SE147,SE714)

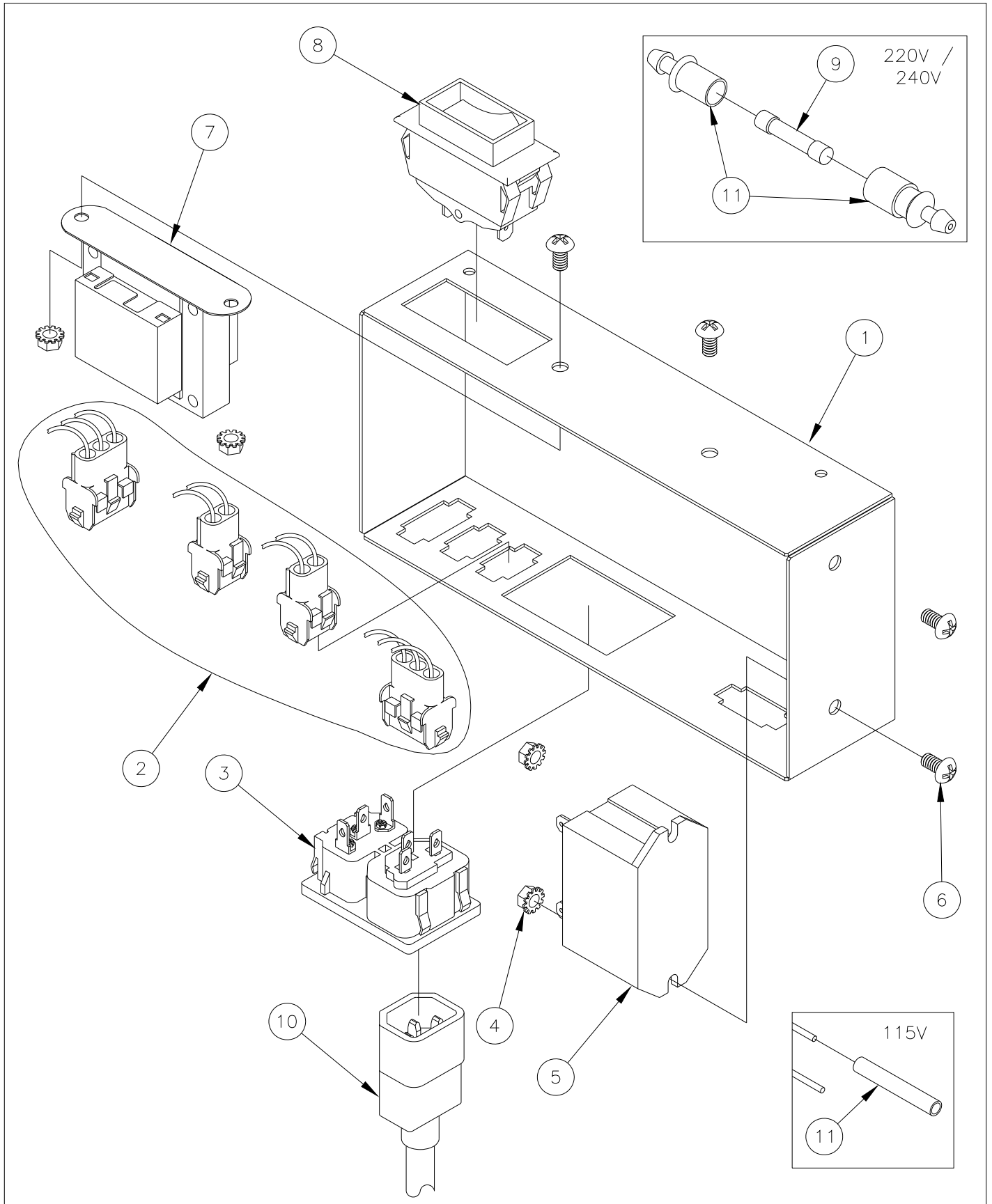
Solo Filter And SE147, SE714 PUMP Assembly Drawing J2



Pump Control Box Drawing K Parts List

ITEM#	PART#	PART DESCRIPTION
1	A7028701-C	FILTER PUMP BOX HOUSING
2	B6748701	FILTER PUMP BOX WIRING
3	60130701	POWER INLET/OUTLET IEC320
4	P0092300	NUT 10 - 24 (KEP)
5	PP11058	RELAY SPST 30A 24VAC (115V)
	60104701	RELAY DPST 30A 24VAC (208/220/240V)
6	PP10693	SCREW 10 - 24 X 3/8
7	60130301	TRANSFORMER 5VA 120V
	60130302	TRANSFORMER 5A 240VAC
	60130303	TRANSFORMER 5VA 208V
8	60077901	CIRCUIT BREAKER, SPST 250V 10A (115V)
	60078502	CIRCUIT BREAKER, DPST 250V 5A (208/220/240V)
9	60132701	FUSE, CERAMIC 0.2A TD .25 X 1.25 (208/220/240V)
10	60128403	M-F JUMPER CORD IEC-320 16-3 AWG X 34"
11	PP11228	BUTT SPLICE BLUE (115V)
	PP10765	FUSE HOLDER (208/220/240V)
12	B6675004-C	FILTER PUMP CONTROL BOX ASSEMBLY 115V
	B6675005-C	FILTER PUMP CONTROL BOX ASSEMBLY 208V
	B6675006-C	FILTER PUMP CONTROL BOX ASSEMBLY 220/240V

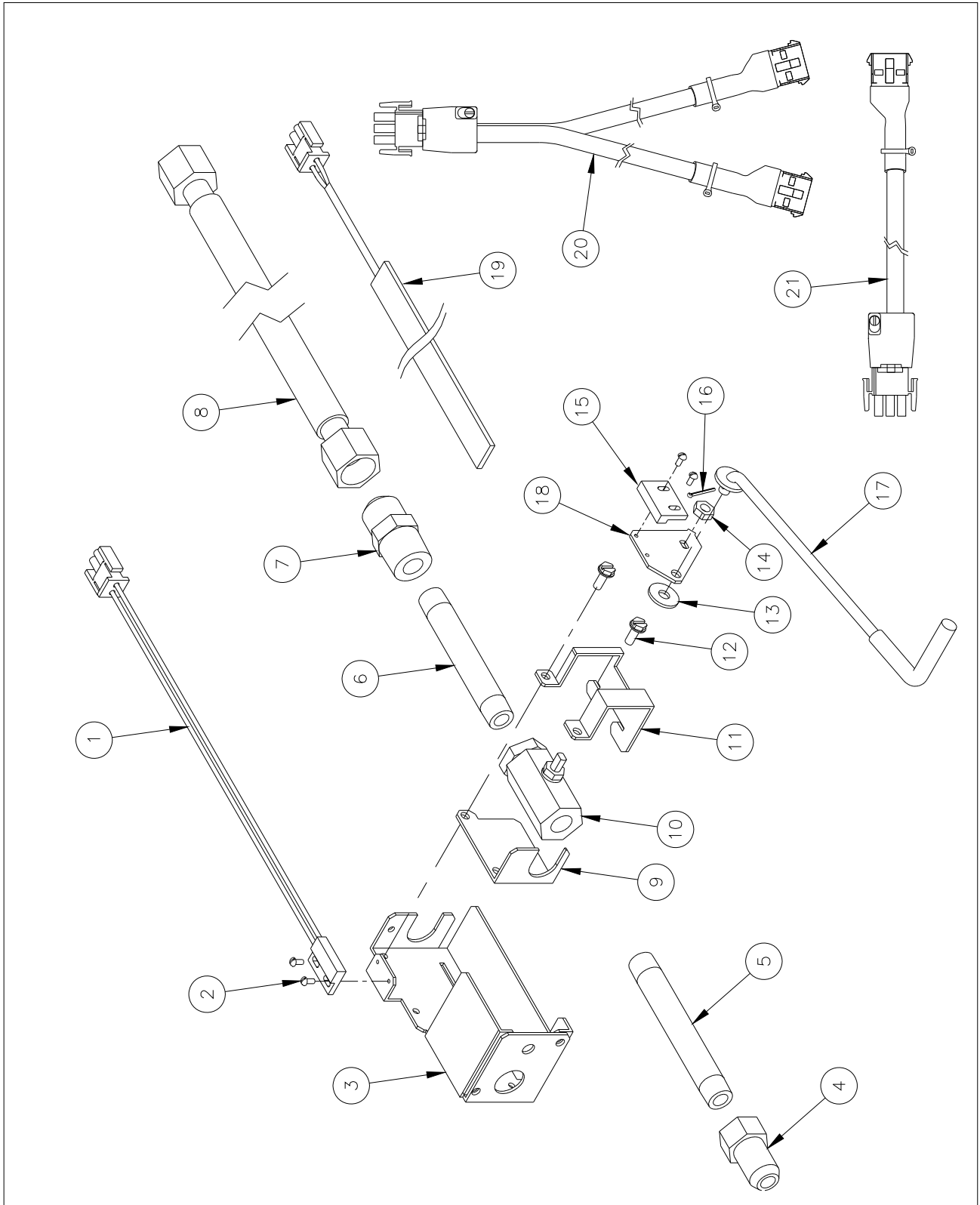
Pump Control Box Drawing K



Flush Hose Assembly Drawing L Parts List

ITEM#	PART#	PART DESCRIPTION
1	B5305002	DVI ASSEMBLY
2	PP10266	SCREW 4 - 40 X 1/4
3	A5062301-C	FLUSH HOSE OUTER BRACKET
	A5070701-C	FLUSH HOSE OUTER BRACKET SFSE14, SFSE14T
4	PP10741	CONNECTOR PUSH VALVE
5	P7037309	NIPPLE BLACK IRON, 3/8 NPT X 4-1/2
6	P7037321	NIPPLE BLACK IRON, 3/8 NPT X 10-1/2
7	60136001	REDUCING COUPLING 3/4 NPT X 3/8 NPT
8	60132201	FLUROPOLYMER HOSE 3/4 NPT FEMALE SWIVEL X 3/4 MPT
9	A5062401-C	FLUSH HOSE INNER BRACKET
10	P6071780	VALVE, BALL 3/8NPT
11	A5062201-C	FLUSH HOSE VALVE SUPPORT BRACKET
12	P0075400	SCREW 10 - 24 X 1/2 SELF TAPPING
13	60131901	WASHER 5/8 SPRING 5/16 HOLE
14		NUT (PART OF ITEM 10)
15	PP10263	PROXIMITY SWITCH
16	P0190200	COTTER PIN 1/16 X 3/4
17	B5006201	FLUSH HOSE HANDLE
	B5007801	FLUSH HOSE HANDLE SFSE14, SFSE14T
18	A5062101-C	FLUSH HOSE VALVE HANDLE
19	60133501	HEATER TAPE 1/2 X 33 (115V)
	60133507	HEATER TAPE 1/2 X 33 (208V)
	60133502	HEATER TAPE 1/2 X 33 (220/240V)
20	B6748001	HEAT TAPE WIRING "Y" SPLITTER
21	B6748101	HEAT TAPE WIRING EXTENSION 22"
	B6748102	HEAT TAPE WIRING EXTENSION 40"
	B6748103	HEAT TAPE WIRING EXTENSION 59"
22	B5006107-C	FLUSH HOSE ASSEMBLY W/ HEAT TAPE (208V)
	B5006111-C	FLUSH HOSE ASSEMBLY W/O HEAT TAPE
	B5006112-C	FLUSH HOSE ASSEMBLY W/ HEAT TAPE (115V)
	B5006113-C	FLUSH HOSE ASSEMBLY W/ HEAT TAPE (220/240V)
	B5007901-C	FLUSH HOSE ASSEMBLY W/O HEAT TAPE SFSE14*
	B5007902-C	FLUSH HOSE ASSEMBLY W/ HEAT TAPE SFSE14* (115V)
	B5007903-C	FLUSH HOSE ASSEMBLY W/ HEAT TAPE SFSE14* (208V)
B5007904-C	FLUSH HOSE ASSEMBLY W/ HEAT TAPE SFSE14* (220/240V)	

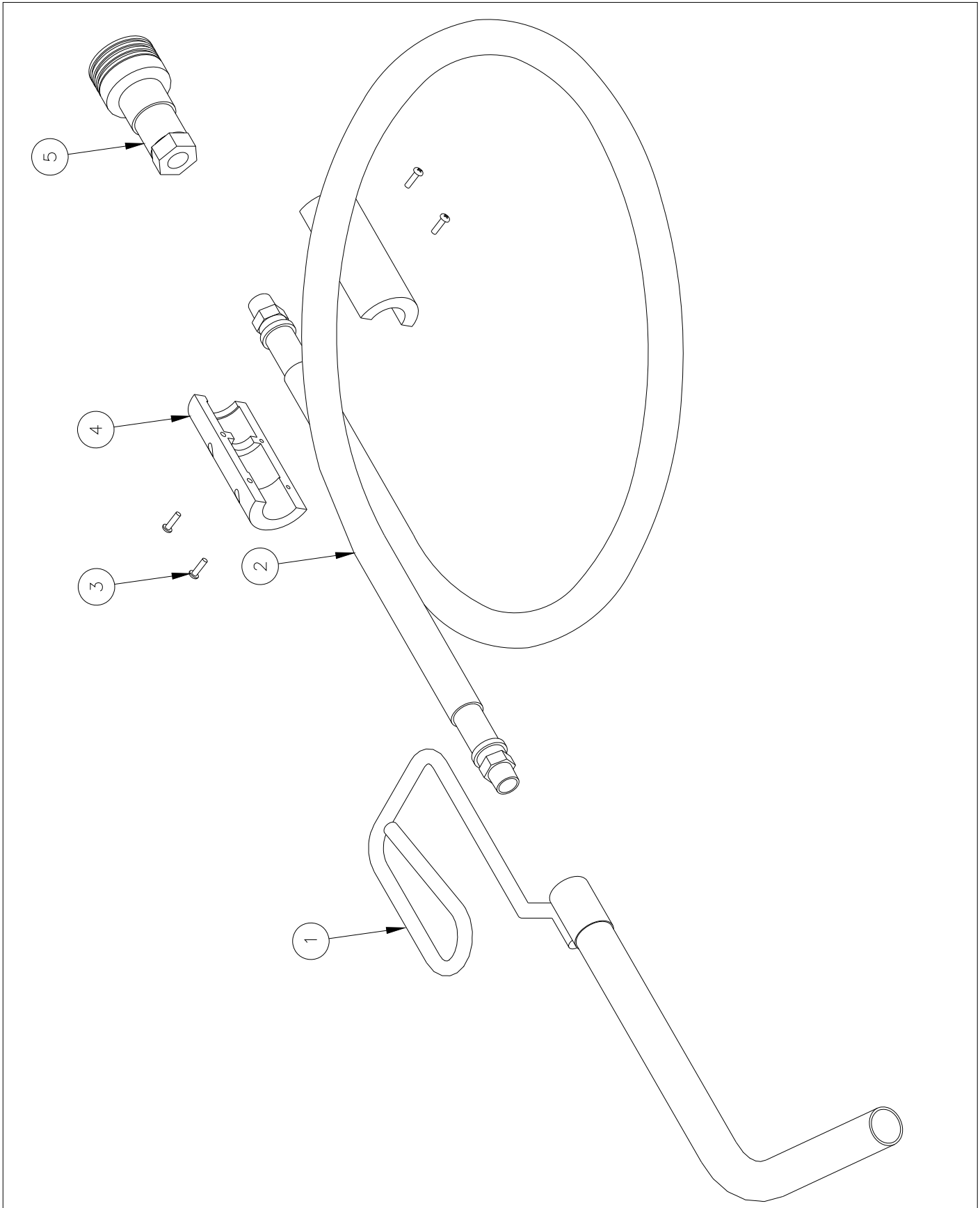
Flush Hose Assembly Drawing L



Flush Hose Nozzle Outlet Drawing M Parts List

ITEM#	PART#	PART DESCRIPTION
1	B6661002	FILTER RETURN NOZZLE
2	A6653505	FILTER RETURN HOSE
3	PP10689	SCREW 6 - 32 X 1/2
4	A7016401	COUPLING INSULATOR BODY
5	B6660001-C	FILTER DISCONNCT INSULATED COUPLING ASSEMBLY
6	B6623202-C	FILTER FLUSH HOSE ASSEMBLY

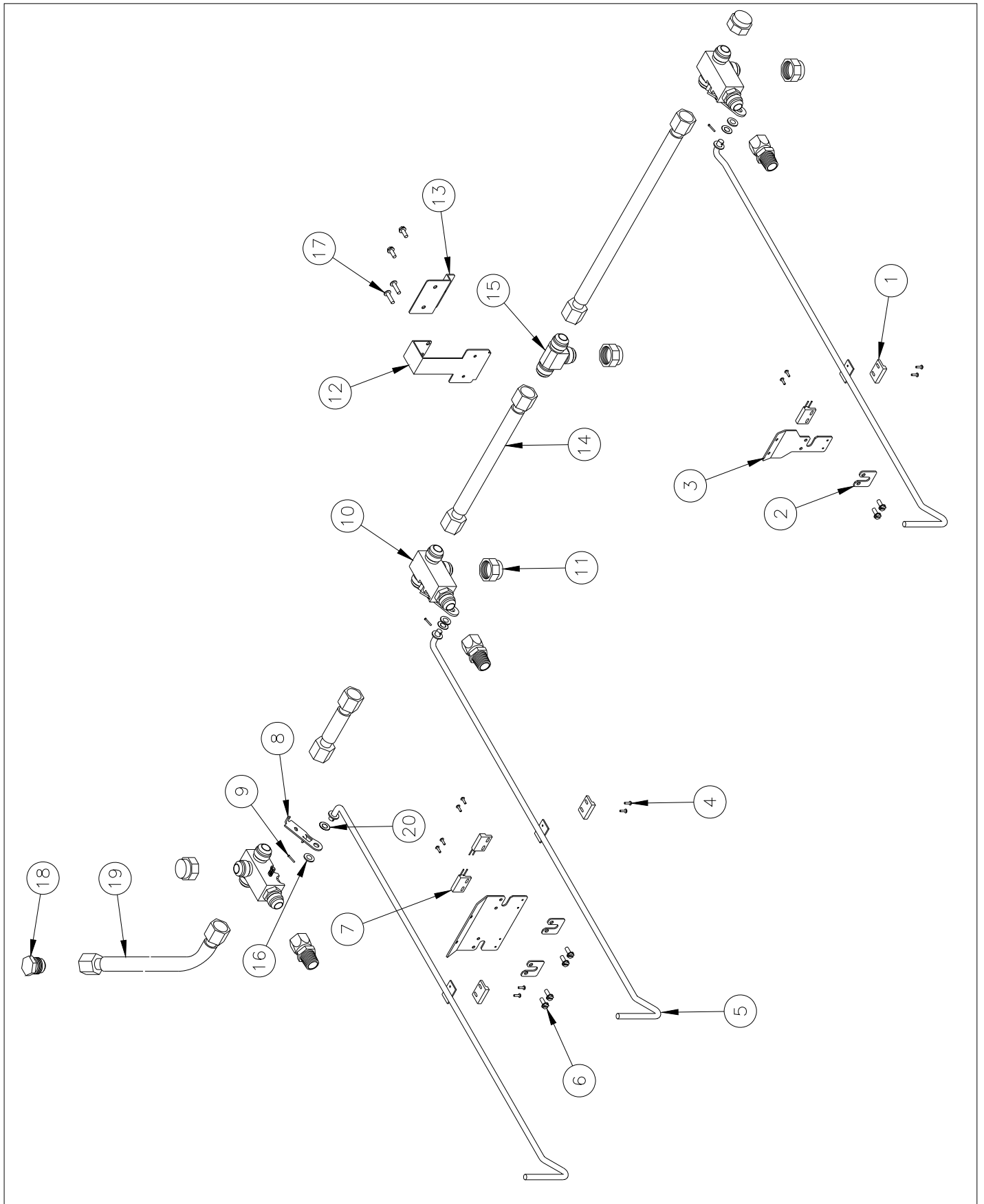
Flush Hose Nozzle Outlet Drawing M



Return Piping Drawing N Parts List

ITEM#	PART#	PART DESCRIPTION
1	PP10263	PROXIMITY ACTUATOR SWITCH
2	A7028601-C	FILTER RETURN HANDLE BRACKET CLAMP
3	A7029301-C	FILTER RETURN HANDLE BRACKET SE14, SE147, SE7
	A7029303-C	FILTER RETURN HANDLE BRACKET SE14T
	A7029305-C	FILTER RETURN HANDLE BRACKET SE18
4	PP10266	SCREW 4 - 40 X .250
5	B4005104	RETURN HANDLE SE14
	B4005102	RETURN HANDLE SE14T LH
	B4005101	RETURN HANDLE SE14T RH
	B4005103	RETURN HANDLE SE18
6	PP10023	SCREW 10 - 24 X 1/2 SELF TAPPING
7	B5305001	DRAIN VALVE INTERLOCK ASSEMBLY
8	60129802	RETURN VALVE HANDLE SE14T LH
9	P0190200	COTTER PIN 1/16 X 3/4
10	60131801	FILTER RETURN BALL VALVE 3 WAY (W/ SE14, SE18, SE14T RH HANDLE)
11	60130001	RETURN VALVE END CAP
12	A7029403-C	FILTER RETURN BRACKET SEBNB
13	A7022603-C	FILTER RETURN BRACKET FRONT SEBNB
14	60135901	HOSE REINFORCED FLUROPOLYMER SWIVEL X SWIVEL 14.5 (14-14)
	60135902	HOSE REINFORCED FLUROPOLYMER SWIVEL X SWIVEL 19.5 (18-18)
	60135903	HOSE REINFORCED FLUROPOLYMER SWIVEL X SWIVEL 17.5 (18-14, 14-18)
	60128002	FLEXIBLE TUBING WITH FITTINGS 5.00 (INSIDE 14T-14T)
	60128006	FLEXIBLE TUBING WITH FITTINGS 8.50 (14T-14T)
	60128007	FLEXIBLE TUBING WITH FITTINGS 12.50 (14-14T, 14T-14, 147)
	60128008	FLEXIBLE TUBING WITH FITTINGS 15.50 (14-14)
	60128009	FLEXIBLE TUBING WITH FITTINGS 19.00 (18-18, 18-14, 14-18)
15	A8033001	RETURN TEE FLARE X FLARE X FLARE SEBNB
16	P0080750	WASHER FLAT 5/16
17	PP10693	SCREW 10 - 24 X 3/8 TH PHILLIPS
18	60133801	VENT TUBE PLUG
19	60128010	FLEXIBLE TUBING WITH FITTINGS 22.00 LH UNIT VENT TUBE
20	60131901	SPRING WASHER 5/8 5/16 HOLE

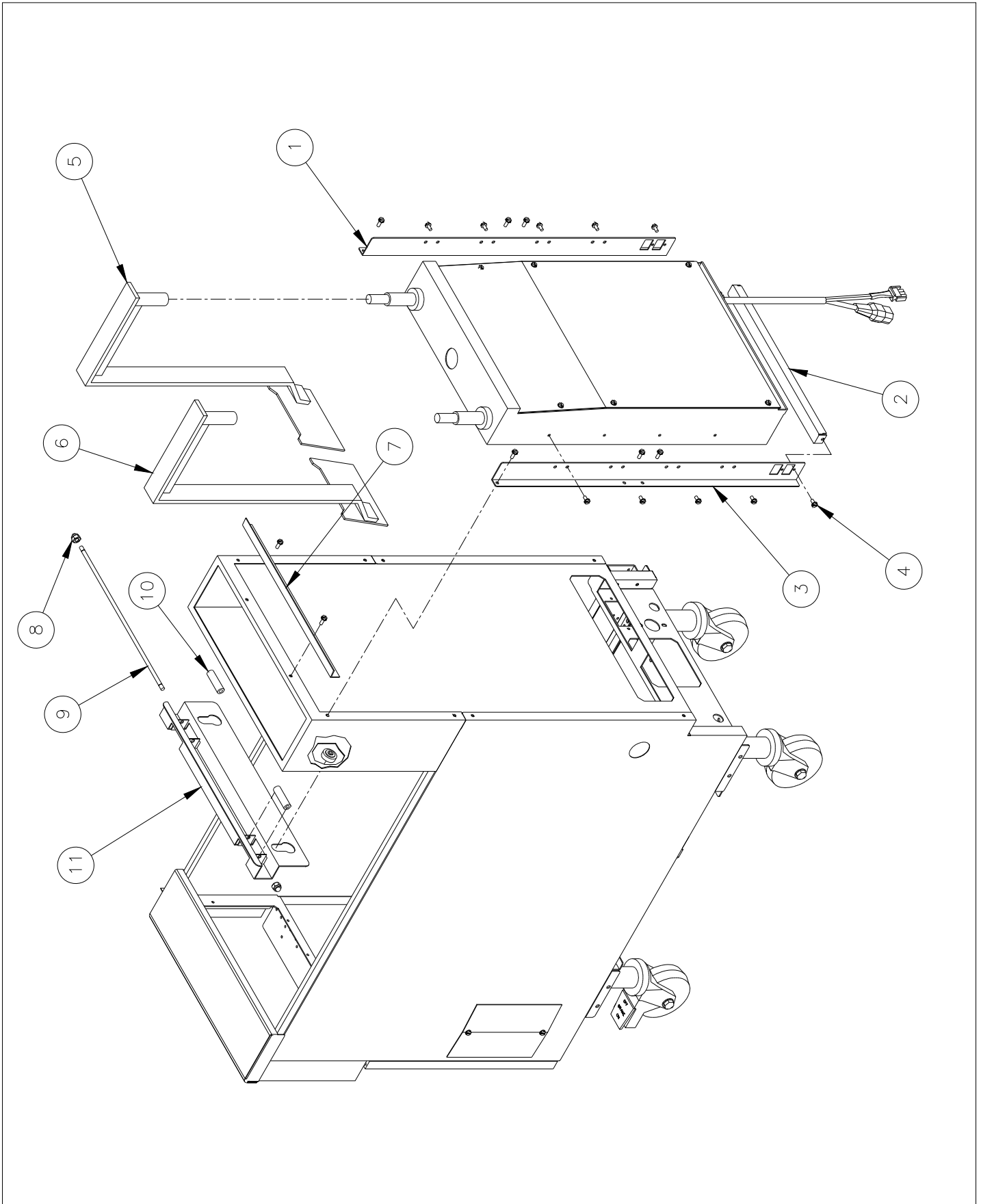
Return Piping Drawing N



Basket Lift Drawing P Parts List

ITEM #	PART #	PART DESCRIPTION
1	A5619402	BASKET LIFT MOUNT LEFT-HAND SIDE SE14/SE14T
	A5619406	BASKET LIFT MOUNT LEFT-HAND SIDE SE18
2	A5618302	BASKET LIFT MOUNT BOTTOM SG
3	A5619404	BASKET LIFT MOUNT RIGHT-HAND SIDE SE14/SE14T
	A5619408	BASKET LIFT MOUNT RIGHT-HAND SIDE SE18
4	PP10023	SCREW 10-24 X 3/8 SELF TAP
5	B5605901	BASKET LIFT HANGER WELDMENT LEFT-HAND SE14/SE14T
	B5605903	BASKET LIFT HANGER WELDMENT LEFT-HAND SE18
6	B5605902	BASKET LIFT HANGER WELDMENT RIGHT-HAND SE14/SE14T
	B5605904	BASKET LIFT HANGER WELDMENT RIGHT-HAND SE18
7	A5618502	BASKET LIFT DRIP SHIELD SG
8	PP10668	NUT ACORN W/CENTERLOCK 1/4-20
9	A5617902	BASKET LIFT HANGER SUPPORT AXLE SG
10	A5617801	BASKET LIFT HANGER SUPPORT WHEEL SG
11	A5619302	BASKET LIFT HANGER SUPPORT SE14/SE14T
	A5619304	BASKET LIFT HANGER SUPPORT SE18
12	B5604403	BASKET LIFT HANGER SUPPORT ASSY SE14/SE14T (INCLUDES 8-11)
	B5604404	BASKET LIFT HANGER SUPPORT ASSY SE18 (INCLUDES 8-11)

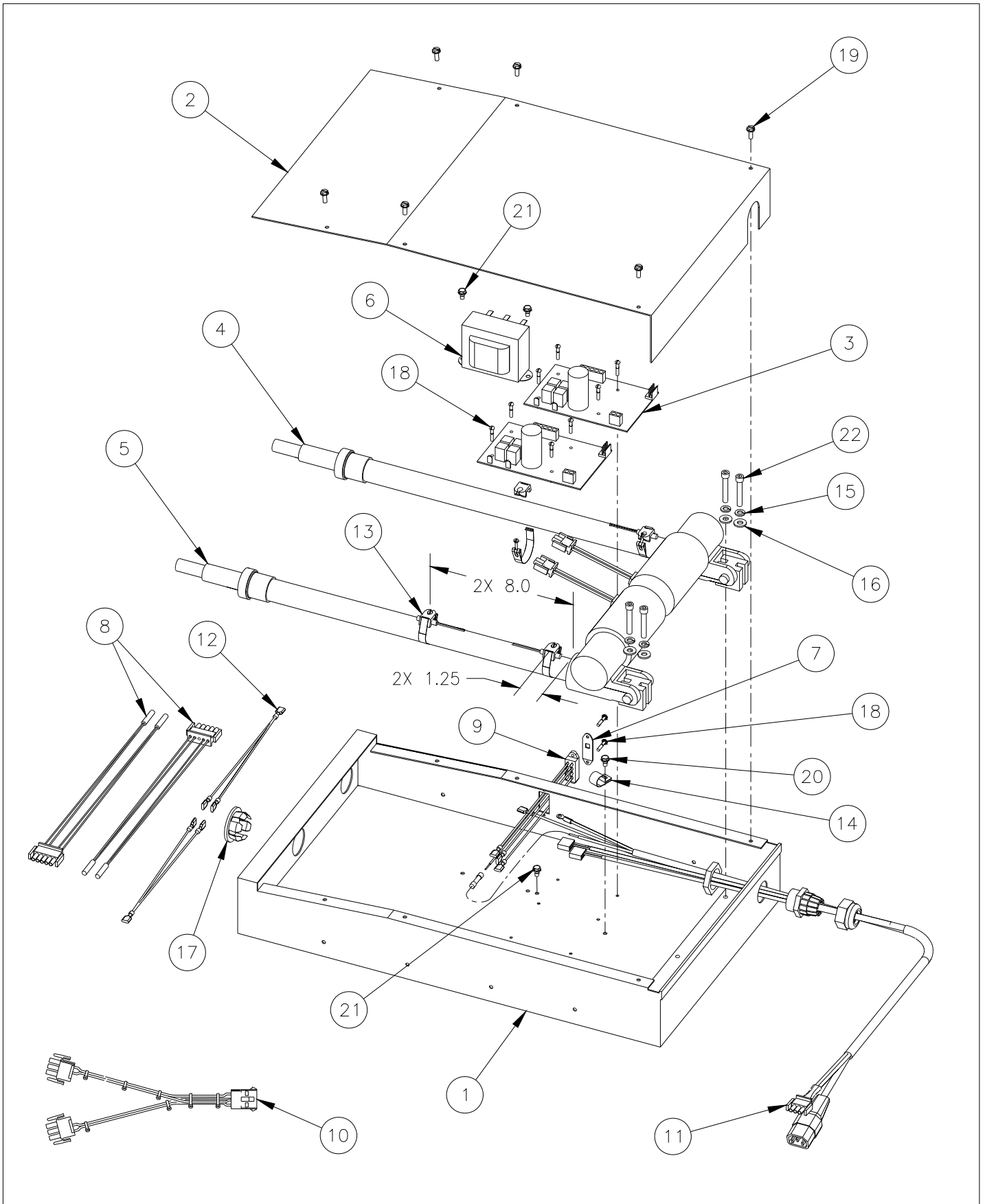
Basket Lift Drawing P



Basket Lift Components Drawing R Parts List

ITEM #	PART #	PART DESCRIPTION
1	B5605601	BASKET LIFT BOX ACTUATOR MODULAR WELDMENT
2	A5619002	BASKET LIFT BOX COVER ACTUATOR MODULAR
3	60134001	CONTROL BASKET LIFT DRIVER BOARD
4	60134301	ACTUATOR 25 3.3-9.4 24VDC 1IPS LH
5	60134302	ACTUATOR 25 3.3-9.4 24VDC 1IPS RH
6	PP10429	TRANSFORMER 80VA 120/208/240V TO 24V
7	A2958102	ENTRANCE BOX SWITCH COVER 120V
	A2958104	ENTRANCE BOX SWITCH COVER 208V
	A2958106	ENTRANCE BOX SWITCH COVER 220/240V
8	B5308901	WIRING BASKET LIFT LIMIT SWITCH ACTUATOR
9	B6744901	WIRING VOLTAGE SELECT 120/208/220-240V
10	B6748901	WIRING HARNESS BASKET LIFT
11	B6779001	WIRING BASKET LIFT MAIN ACTUATOR
12	B6779101	WIRING BASKET LIFT TRANSFORMER ACTUATOR
13	60136901	CLAMP BASKET LIFT LIMIT SWITCH
14	P6071071	CLAMP WIRE 3/8 NYLON
15	PP10673	WASHER LOCK 1/4 SST SPLIT
16	N/A	WASHER FLAT 1/4 SST
17	N/A	HOLE PLUG KEYSTONE #7610 OR EQUIVALENT
18	N/A	SCREW 6-32 X 3/4 PHH PNH SST W/LK WASHER
19	P0075400	SCREW 10-24 X 1/2 SELF TAP
20	PP10693	SCREW 10-24 X 3/8 PHH TRH ZN
21	N/A	SCREW 10-24 X 3/8 INDT HEX W/EXT WASHER
22	N/A	SOCKET HEAD CAP SCREW 1/4-20 X 1-1/2 SST
23	B5604601-C	BASKET LIFT ACTUATOR BOX ALL VOLTAGES (NOT SHOWN)

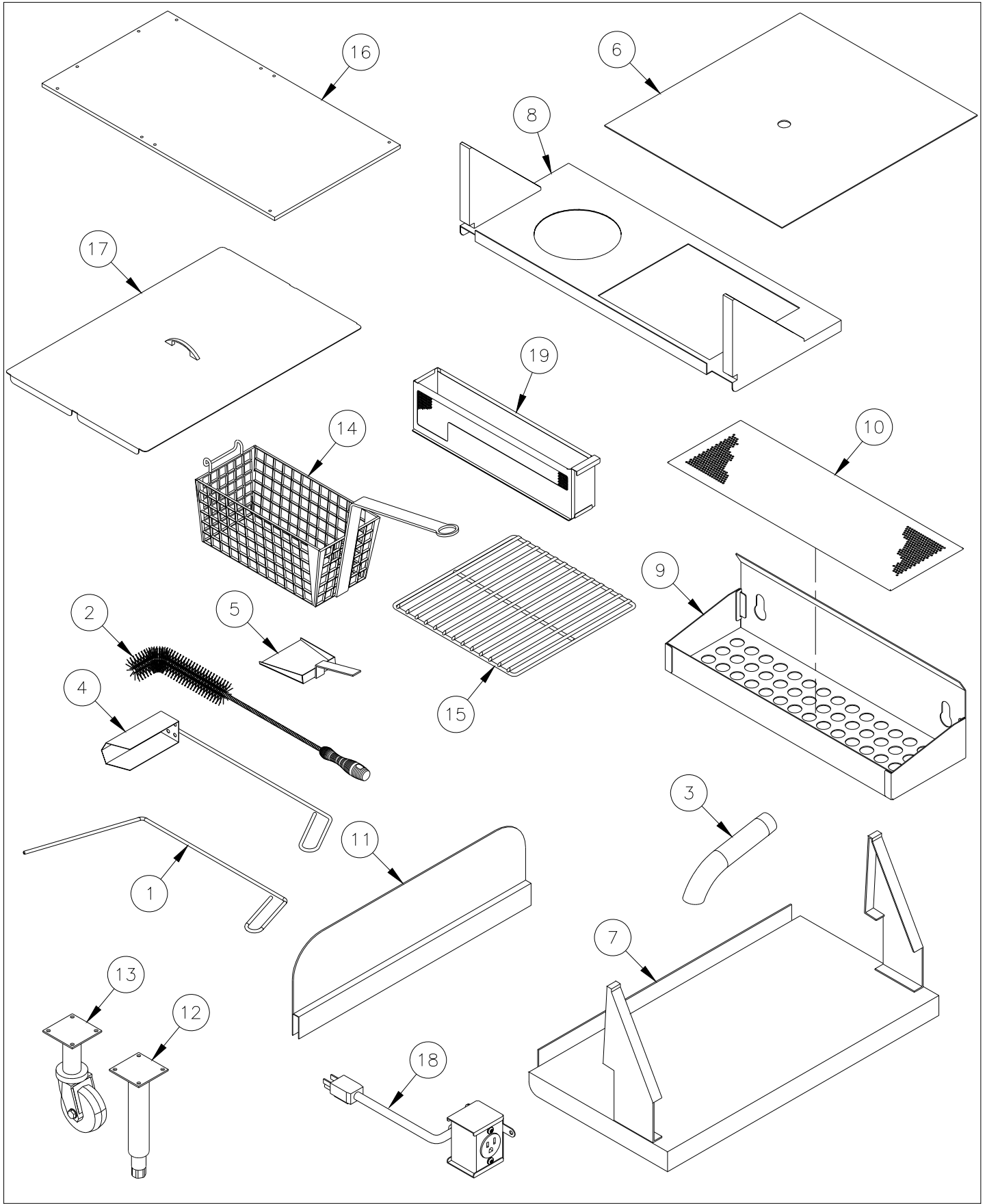
Basket Lift Components Drawing R



Accessories Drawing T Parts List

ITEM #	PART #	PART DESCRIPTION
1	A3301001	CLEANOUT ROD
2	PP10056	CLEANING BRUSH
3	A2510101	DRAIN EXTENSION
4	B5008101	FRYER CRUMB SCOOP
5	B7404801	FILTER CRUMB SCOOP
6	A7025301	FILTER PAPER 14X22 (YUM!)
	PP10613	FILTER PAPER SEFD
	A6667104	FILTER PAPER SFSE14, SFSE14T
7	CONTACT PITCO	FRONT WORKSHELF
8	CONTACT PITCO	SIDE WORKSEHELVE/DRAINBOARD
9	CONTACT PITCO	REAR WORKSHELF
10	CONTACT PITCO	REAR WORKSHELF INSERT
11	CONTACT PITCO	SPLASH GUARD SIDE
12	60132401	9" LEG
	B3900704	9" LEG SET OF 4
	B3902201	10" LEG SFSE*/SE147
	60132401	9" LEG WITH BOTTOM BOLT FLANGE
13	PP10815	9" CASTER LOCKING
	PP10814	9" CASTER NON-LOCKING
	B3901504	9" CASTER SET OF 4 (2 LOCKING, 2 NON-LOCKING)
	60095002	11" CASTER LOCKING (CATFISH KING)
	60095001	11" CASTER NON-LOCKING (CATFISH KING)
	B3902302	9" RIGID CASTER NON-LOCKING
	B3902303	9" RIGID CASTER LOCKING
	B3902301	10" RIGID CASTER NON-LOCKING SFSE*/SE147
	B3902303	10" RIGID CASTER LOCKING SFSE*/SE147
14	P6072184	TWIN BASKET SE18
	P6072188	TWIN BASKET FINE MESH SE18
	P6072145	TWIN BASKET SE14/SE14T
	P6072146	TWIN BASKET FINE MESH SE14/SE14T
	P6072147	TRIPLE BASKET SE14
	P6072185	TRIPLE BASKET SE18
	P6072143	SQUARE BULK BASKET FRONT HANDLE SE14
	P6072144	SQUARE BULK BASKET FINE MESH FRONT HANDLE SE14
	P6072181	SQUARE BULK BASKET FRONT HANDLE SE18
15	P6072180	SQUARE BULK BASKET SIDE HANDLES SE18
	A4500601	TUBE RACK SE14
	A4500201	TUBE SCREEN SE14
	B4512401	TUBE RACK SE14T
	B4512501	TUBE SCREEN SE14T
	P6073186	TUBE RACK SE18
	P6072186	TUBE SCREEN SE18
16	B7425401	FISH GRID SE18
	A1842312-C	SST CABINET BACK COVER SE14/SE14T
	A1842314-C	SST CABINET BACK COVER SE18
	A1842316-C	SST CABINET BACK COVER SEBNB14 FLAT TOP
17	A1842318-C	SST CABINET BACK COVER SEBNB18 FLAT TOP
	B2101505-C	TANK COVER SE14/SE14T
	B2101506-C	TANK COVER SE18
	B2101605-C	TANK COVER SE14/SE14T B/L
	B2101606-C	TANK COVER SE18 B/L
18	B2101509-C	TANK COVER SE7
	B5007501-C	OUTLET BOX ASSEMBLY 125V 15A
19	B5006901	FILTER CRUMB CATCH BASKET SEFD
	B6674101	FILTER CRUMB CATCH BASKET SFSE18

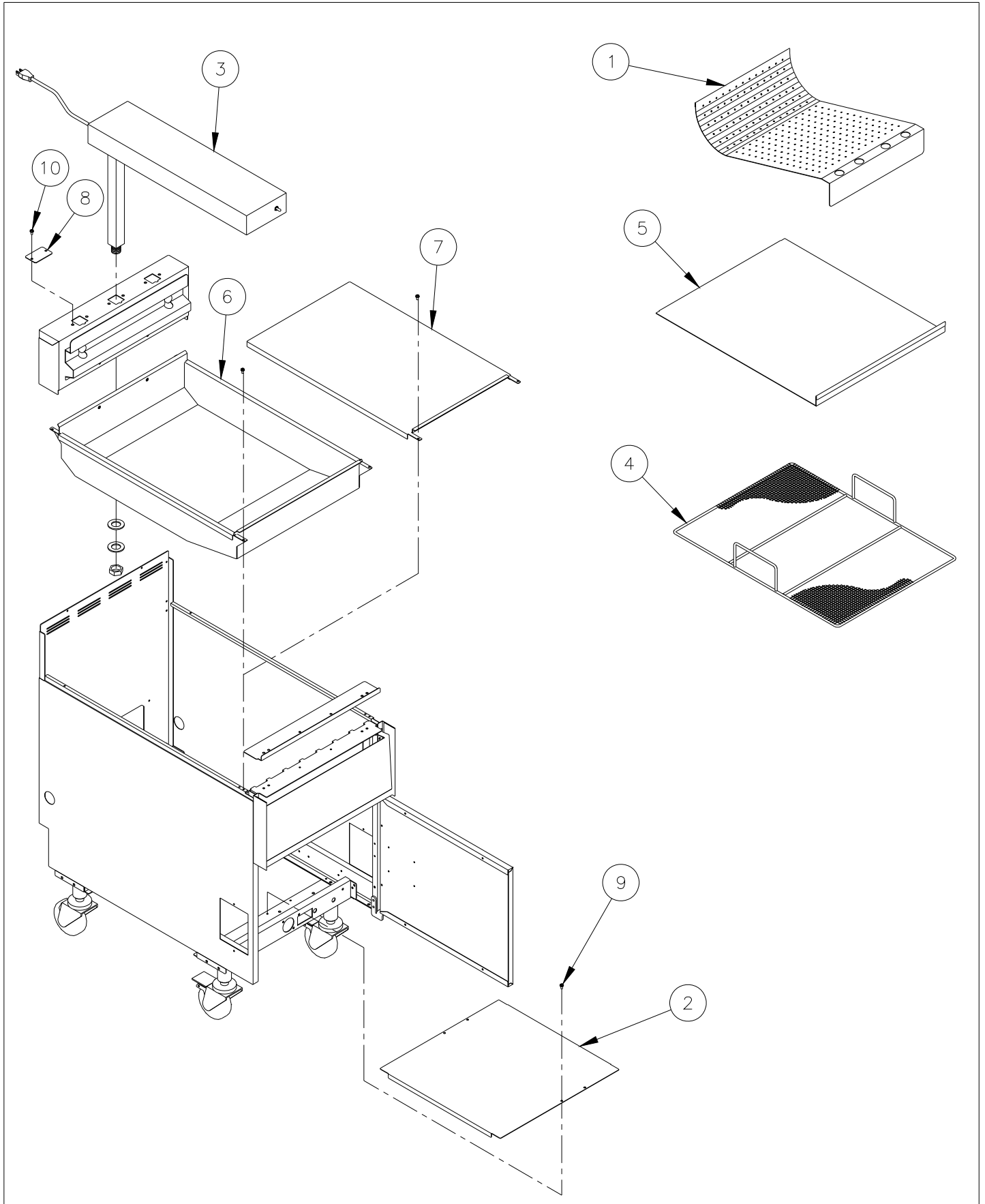
Accessories Drawing T



Bread And Batter Drawing U Parts List

ITEM #	PART #	PART DESCRIPTION
1	A5824208-C	SCOOPED PAN LINER SEBNB14
	A5824210-C	SCOOPED PAN LINER SEBNB18
2	A5824101-C	BNB BOTTOM SHELF SEBNB14
	A5824103-C	BNB BOTTOM SHELF SEBNB18
3	PP10907	FOODWARMER, BUILT-IN 115V
	PP10908	FOODWARMER, BUILT-IN 208V
	PP10909	FOODWARMER, BUILT-IN 240V
	P5044760	FOODWARMER, FREE STANDING 115V
	P5044770	FOODWARMER, FREE STANDING 230V
4	B4508111	BNB SCREEN SEBNB14
	B4508110	BNB SCREEN SEBNB18
5	A5823908-C	BNB FLUSH WORK TOP SEBNB14
	A5823910-C	BNB FLUSH WORK TOP SEBNB18
6	B5804301-C	BNB PAN SEBNB14
	B5804302-C	BNB PAN SEBNB18
7	A5824002-C	BNB PAN SEBNB14 FLAT TOP
	A5824004-C	BNB PAN SEBNB18 FLAT TOP
8	A5811004-C	BNB HEAT LAMP COVER PLATE
9	PP10023	SCREW 10-24 X 3/8 SELF TAPPING
10	60125801	SCREW 10-24 X 3/8 TH SLOT

Bread And Batter Drawing U



In the event of problems with or questions about your order, please contact the Pitco Frialator factory
(603)225-6684 World Wide

In the event of problems with or questions about your equipment, please contact the Pitco Frialator Authorized Service and Parts representative (ASAP) covering your area, or contact Pitco at the numbers listed to the left.

MAILING ADDRESS – P.O. BOX 501, CONCORD, NH 03302-0501