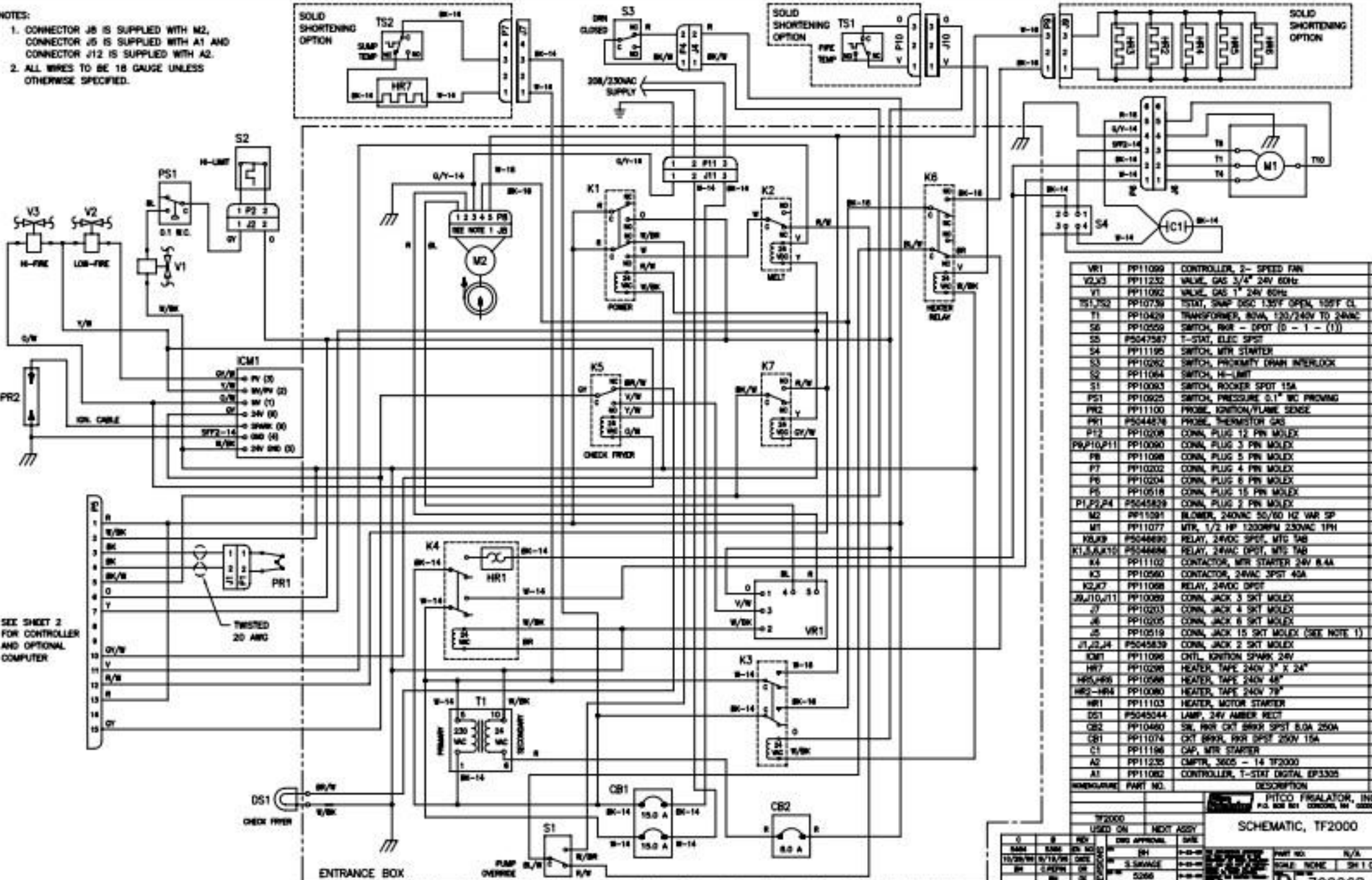


- NOTES:
 1. CONNECTOR J8 IS SUPPLIED WITH M2,
 CONNECTOR J5 IS SUPPLIED WITH A1 AND
 CONNECTOR J12 IS SUPPLIED WITH A2.
 2. ALL WIRES TO BE 18 GAUGE UNLESS
 OTHERWISE SPECIFIED.



VR1	PP11099	CONTROLLER, 2- SPEED FAN	1
V2,V3	PP11232	VALVE, GAS 3/4" 24V 60Hz	2
V1	PP11092	VALVE, GAS 1" 24V 60Hz	1
TS1,TS2	PP10739	TS/DT, SNAP DISC 1.35V OPEN, 1.55V CL	2
T1	PP10429	TRANSFORMER, 80VA, 120/240V TO 240VAC	1
S6	PP10259	SWITCH, RKR - DPDT (0 - 1 - 0)	1
S2	PS047587	T-STAT, ELEC SPST	1
S4	PP11195	SWITCH, MTR STARTER	1
S3	PP10282	SWITCH, PROXIMITY DRAM INTERLOCK	1
S2	PP11064	SWITCH, H-LIMIT	1
S1	PP10093	SWITCH, ROCKER SPST 15A	1
PS1	PP10925	SWITCH, PRESSURE 0.1" WC PROVING	1
PR2	PP11100	PROBE, IGNITION/FLAME SENSE	1
PR1	PS044578	PROBE, THERMISTOR GAS	1
PT2	PP10208	CONN, PLUS 12 PIN MOLEX	1
PP10,P11	PP10090	CONN, PLUS 3 PIN MOLEX	3
P8	PP11098	CONN, PLUS 5 PIN MOLEX	1
P7	PP10202	CONN, PLUS 4 PIN MOLEX	1
P6	PP10204	CONN, PLUS 6 PIN MOLEX	1
P5	PP10518	CONN, PLUS 15 PIN MOLEX	1
P1,P2,P4	PS045829	CONN, PLUS 2 PIN MOLEX	3
M2	PP11091	BLOWER, 240VAC 55/60 HZ VAR SP	1
M1	PP11077	MTR, 1/2 HP 1200RPM 230VAC 1PH	1
K8,K9	PS044893	RELAY, 24VDC SPST, MTC TAB	2
K1,K3,K10	PS044886	RELAY, 24VAC DPST, MTC TAB	4
K4	PP11102	CONTACTOR, MTR STARTER 24V 8.4A	1
K3	PP10560	CONTACTOR, 24VAC 3PST 45A	1
K2,K7	PP11098	RELAY, 24VDC DPST	2
J8,J10,J11	PP10089	CONN, JACK 3 SKT MOLEX	3
J7	PP10203	CONN, JACK 4 SKT MOLEX	1
J6	PP10205	CONN, JACK 6 SKT MOLEX	1
J5	PP10519	CONN, JACK 15 SKT MOLEX (SEE NOTE 1)	1
J1,J2,J4	PS045829	CONN, JACK 2 SKT MOLEX	3
HM1	PP11096	CHTL, IGNITION SPARK 24V	1
HT7	PP10296	HEATER, TAPE 240V 3" X 24"	1
HT5,HT6	PP10588	HEATER, TAPE 240V 48"	2
HT2,HT4	PP10080	HEATER, TAPE 240V 78"	3
HR1	PP11103	HEATER, MOTOR STARTER	1
DS1	PS045044	LAMP, 24V AMBER REDT	1
CB2	PP10480	SK, RKR Ckt BRKR SPST 8.0A 250A	1
CB1	PP11074	Ckt BRKR, RKR DPST 250V 15A	1
C1	PP11196	CAP, MTR STARTER	1
A2	PP11235	CMPTR, 3025 - 14 TF2000	1
A1	PP11082	CONTROLLER, T-STAT DIGITAL EP3325	1

REVISION	DATE	BY	DESCRIPTION
0			ISSUED
1			REVISED
2			REVISED
3			REVISED
4			REVISED
5			REVISED

NO.	DATE	BY	DESCRIPTION
1			ISSUED
2			REVISED
3			REVISED
4			REVISED
5			REVISED

NO.	DATE	BY	DESCRIPTION
1			ISSUED
2			REVISED
3			REVISED
4			REVISED
5			REVISED

NO.	DATE	BY	DESCRIPTION
1			ISSUED
2			REVISED
3			REVISED
4			REVISED
5			REVISED

NO.	DATE	BY	DESCRIPTION
1			ISSUED
2			REVISED
3			REVISED
4			REVISED
5			REVISED

NO.	DATE	BY	DESCRIPTION
1			ISSUED
2			REVISED
3			REVISED
4			REVISED
5			REVISED

NO.	DATE	BY	DESCRIPTION
1			ISSUED
2			REVISED
3			REVISED
4			REVISED
5			REVISED

NO.	DATE	BY	DESCRIPTION
1			ISSUED
2			REVISED
3			REVISED
4			REVISED
5			REVISED

NO.	DATE	BY	DESCRIPTION
1			ISSUED
2			REVISED
3			REVISED
4			REVISED
5			REVISED

NO.	DATE	BY	DESCRIPTION
1			ISSUED
2			REVISED
3			REVISED
4			REVISED
5			REVISED

NO.	DATE	BY	DESCRIPTION
1			ISSUED
2			REVISED
3			REVISED
4			REVISED
5			REVISED

NO.	DATE	BY	DESCRIPTION
1			ISSUED
2			REVISED
3			REVISED
4			REVISED
5			REVISED

NO.	DATE	BY	DESCRIPTION
1			ISSUED
2			REVISED
3			REVISED
4			REVISED
5			REVISED

NO.	DATE	BY	DESCRIPTION
1			ISSUED
2			REVISED
3			REVISED
4			REVISED
5			REVISED

NO.	DATE	BY	DESCRIPTION
1			ISSUED
2			REVISED
3			REVISED
4			REVISED
5			REVISED

NO.	DATE	BY	DESCRIPTION
1			ISSUED
2			REVISED
3			REVISED
4			REVISED
5			REVISED

NO.	DATE	BY	DESCRIPTION
1			ISSUED
2			REVISED
3			REVISED
4			REVISED
5			REVISED

NO.	DATE	BY	DESCRIPTION
1			ISSUED
2			REVISED
3			REVISED
4			REVISED
5			REVISED

NO.	DATE	BY	DESCRIPTION
1			ISSUED
2			REVISED
3			REVISED
4			REVISED
5			REVISED

NO.	DATE	BY	DESCRIPTION
1			ISSUED
2			REVISED
3			REVISED
4			REVISED
5			REVISED

NO.	DATE	BY	DESCRIPTION
1			ISSUED
2			REVISED
3			REVISED
4			REVISED
5			REVISED

NO.	DATE	BY	DESCRIPTION
1			ISSUED
2			REVISED
3			REVISED
4			REVISED
5			REVISED

NO.	DATE	BY	DESCRIPTION
1			ISSUED
2			REVISED
3			REVISED
4			REVISED
5			REVISED

NO.	DATE	BY	DESCRIPTION
1			ISSUED
2			REVISED
3			REVISED
4			REVISED
5			REVISED

NO.	DATE	BY	DESCRIPTION
1			ISSUED
2			REVISED
3			REVISED
4			REVISED
5			REVISED

NO.	DATE	BY	DESCRIPTION
1			ISSUED
2			REVISED
3			REVISED
4			REVISED
5			REVISED

NO.	DATE	BY	DESCRIPTION
1			ISSUED
2			REVISED
3			REVISED
4			REVISED
5			REVISED

NO.	DATE	BY	DESCRIPTION
1			ISSUED
2			REVISED
3			REVISED
4			REVISED
5			REVISED

NO.	DATE	BY	DESCRIPTION
1			ISSUED
2			REVISED
3			REVISED
4			REVISED
5			REVISED

NO.	DATE	BY	DESCRIPTION
1			ISSUED
2			REVISED
3			REVISED
4			REVISED
5			REVISED

NO.	DATE	BY	DESCRIPTION
1			ISSUED
2			REVISED
3			REVISED
4			REVISED
5			REVISED

NO.	DATE	BY	DESCRIPTION
1			ISSUED
2			REVISED
3			REVISED
4			REVISED
5			REVISED

NO.	DATE	BY	DESCRIPTION
1			ISSUED
2			REVISED
3			REVISED
4			REVISED
5			REVISED

NO.	DATE	BY	DESCRIPTION
1			ISSUED
2			REVISED
3			REVISED
4			REVISED
5			REVISED

NO.	DATE	BY	DESCRIPTION
1			ISSUED
2			REVISED
3			REVISED
4			REVISED
5			REVISED

NO.	DATE	BY	DESCRIPTION
1			ISSUED
2			REVISED
3			REVISED
4			REVISED
5			REVISED

NO.	DATE	BY	DESCRIPTION
1			ISSUED
2			REVISED
3			REVISED
4			REVISED
5			REVISED

NO.	DATE	BY	DESCRIPTION
1			ISSUED
2			REVISED
3			REVISED
4			REVISED
5			REVISED

NO.	DATE	BY	DESCRIPTION
1			ISSUED
2			REVISED
3			REVISED
4			REVISED
5			REVISED

NO.	DATE	BY	DESCRIPTION
1			ISSUED
2			REVISED
3			REVISED
4			REVISED
5			REVISED

NO.	DATE	BY	DESCRIPTION
1			ISSUED
2			REVISED
3			REVISED
4			REVISED
5			REVISED

NO.	DATE	BY	DESCRIPTION
1			ISSUED
2			REVISED
3			REVISED
4			REVISED
5			REVISED

NO.	DATE	BY	DESCRIPTION
1			ISSUED
2			REVISED
3			REVISED
4			REVISED
5			REVISED

NO.	DATE	BY	DESCRIPTION
1			ISSUED
2			REVISED
3			REVISED
4			REVISED
5			REVISED

NO.	DATE	BY	DESCRIPTION
1			ISSUED
2			