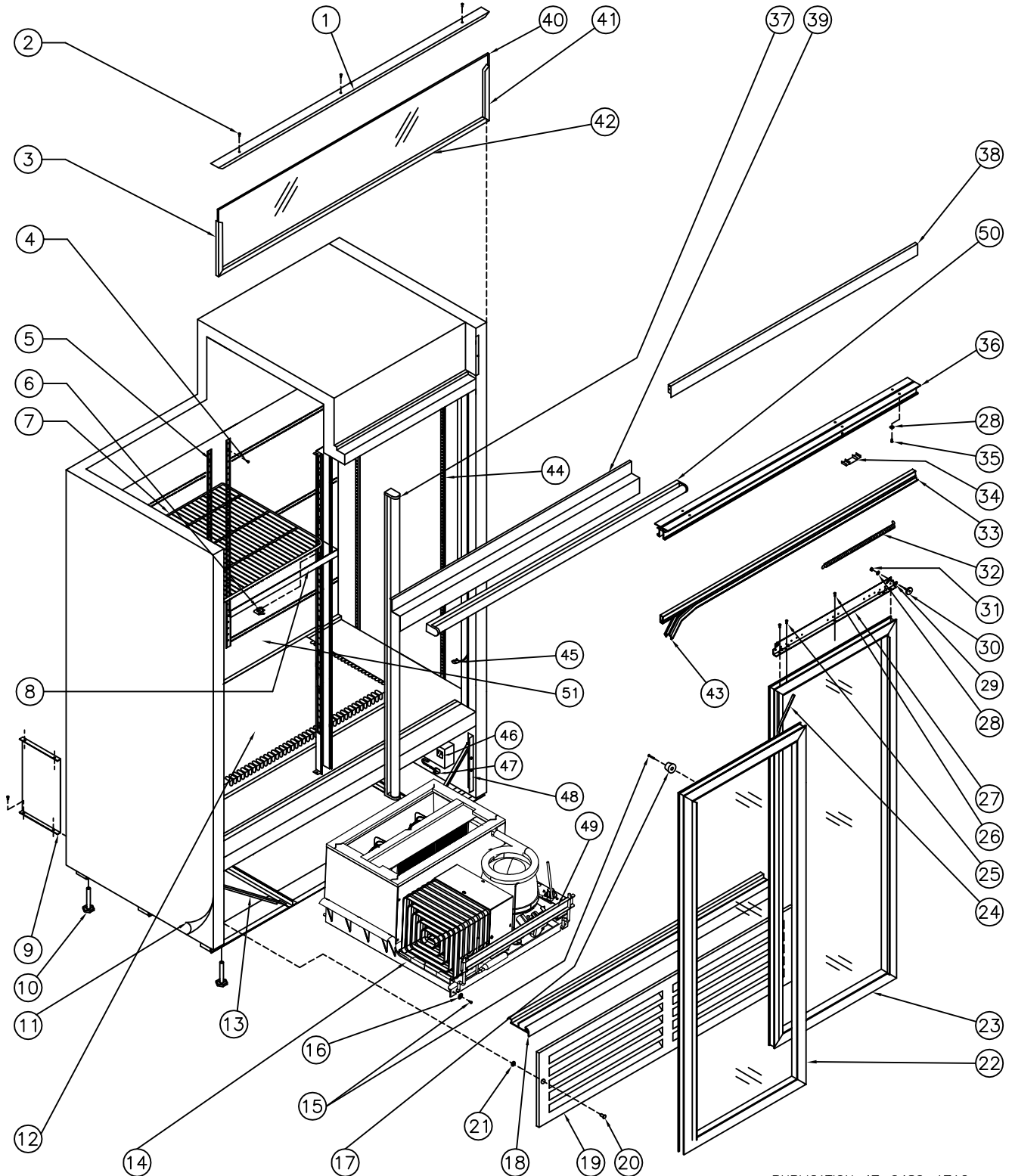


QBD<sup>®</sup> Cooling Systems

31 BRAMSTEELE ROAD  
BRAMPTON, ONTARIO  
L6W 3K6

TEL: (905) 459-0709  
FAX: (905) 459-1478

COOLER: CD38  
34-7038 120V, 60Hz





# Cooling Systems Inc.

31 Bramsteede Rd  
Brampton, Ontario, Canada  
L6W 3K6

Telephone: (905) 459-0709  
Toll Free: (800) 633-3005  
FAX: (905) 459-1478  
[info@qbd.com](mailto:info@qbd.com)  
[www.qbd.com](http://www.qbd.com)

# CD38 Cooler

(34-7038-XXX) 120V, 60 Hz.

Item	Part No.	Pepsi Part Description	Item	Part No.	Pepsi Description
1	47-8846-039	1006374 Cover, CD38 Top Sign	26	53-0301-021	SCW SM 8 x .500 'AB' PH TR HD
2	53-0301-021	SCW SM 8x0.500 AB PH TR HD	27	47-0034-168	Bracket CD38 Door Hanging
3	47-8607-039	1001716 Frame, LH Top Sign DC45	28	<a href="#">53-0267-006</a>	83974 Washer ¼ Split – Lock Zinc
4	47-0400-007	510282 SCW, Pilaster Strip "Custom"	29	<a href="#">53-0138-013</a>	1006114 Washer ¼ Int-Ext A
5	47-0034-420	Pilaster Strip 51" Aluminum	30	<a href="#">47-0530-088</a>	69715 Wheel Sliding Door 1" Dia ¼ - 20
6	<a href="#">53-0377-032</a>	510362 Bracket (clip) Shelf Support	31	<a href="#">47-0360-036</a>	1006115 Nut ¼ - 20 Hex 2 Way Lock Zinc
7	47-0200-195	1005804 Shelf Standard CD38	32	<a href="#">53-0149-076</a>	82310 Spring Door DC40/49
8a	47-0130-250	1000819 Price Holder DC40/60 18.75 Black	33	47-7393-639	Seal Holder Door CD38
8b	47-0130-130	Price Holder DC40/60 18.75 Blue	34	<a href="#">47-7386-039</a>	67589 Extrusion Track Filler .875
9	47-0034-415	Support CD Brace	35	<a href="#">47-0264-308</a>	83973 SCW MA ¼ - 20x.750 PAN HD Quad
10	47-0530-089	510204 Level Leg 0.500x3.000x1.375 AF	36	47-0034-192	Track Door 39.875" LG CD38
11	47-8148-932	1001787 Decal, DC/CD45 Side Pepsi	37	<a href="#">47-0530-571</a>	1005656 LED Lamp 16 Watts
12	47-0035-103	1022158 Duct, CD Large Air	38	47-8845-039	1021830 Cover, CD38 Wheel Black
13	-----	Not Applicable on CD38	39	47-0034-142	Reflector, CD38 Top Sign
14a	47-0011-207	1004668 Ref. Chassis ½ HP CD Tecumseh	40a	47-8836-633	Lens, CD38/39 White
14b	<a href="#">47-0011-377</a>	Ref. Chassis ½ HP CD Embraco	40b	47-8836-932	Lens, CD38/39 Pepsi
15	<a href="#">20-0468-012</a>	SCW SM 8X0.750 PH TR HD	41	47-8606-039	1002297 Frame, DC/CD 45 RH Top Sign
16	18-6147-002	Washer 5/16 Bolt Size 7/8" OD	42	47-8095-239	Frame, CD38 Bottom Top Sign
17	47-0120-075	1024709 Bumper, Rubber Stopper #RB-186	43	<a href="#">47-7359-139</a>	1006617 Seal Foam Door Horiz 96"
18	47-8093-339	Bottom, CD38 Guide	44	<a href="#">53-0377-031</a>	80230 Pilaster Strip 52" Aluminum
19	47-8835-039	1005983 Grill, CD38 Front Black	45	<a href="#">47-7379-139</a>	1008528 Gasket Foam Vert. C-Fold 53"
20	47-0254-007	SCW MA 10x32x0.750 PH PAN HD	46	<a href="#">47-0440-007</a>	1003097 Outlet, 3 Wire
21	47-0530-639	Nut, Push FASTER	47	<a href="#">18-7218-001</a>	1007217 Cord, Power 14/3 SJTW-A 12'
22	47-7656-739	1021831 Door Assy. CD38 LH	48	47-0034-093	1008884 Support CD Grill
23	47-7655-239	1006974 Door Assy. CD38 RH	49	47-0033-410	1007047 Bracket, CD 1/3 HP Lift Rod Lock
24	<a href="#">47-7361-039</a>	69563 Seal Foam Door Vert. (5 Ft. Req'd)	50	<a href="#">47-0530-570</a>	1006403 LED Lamp 13 Watts
25	<a href="#">47-0400-019</a>	SCW TR 8-32x0.500 Slot Hex HD	51	47-0034-505	Panel, CD38/39 Back Discharge
				47-0520-252	1008770 Kit, Electrics for TPB9423YAA
				47-0520-271	Kit, Electrics for FFU130HAX

**Note: Embraco Chassis went into production on 07-AUG-15**  
**Starting Serial # 1DW150804311980**

### Accessories:

47-0011-215	1024708	Shelf, CD38/39 600ml Gravity
47-0060-168	1005324	Gasket, Seal Refer & Cab CD 1/2 HP
47-0130-441		Shelf Glide CD45 Blue
W47-0130-441		Shelf Glide CD45 White
<a href="#">47-0520-077</a>	81272	Lock & Key Assy Sliding Door
<a href="#">47-0520-216</a>	1001844	Caster Kit – Swivel Type
47-0520-245	1001883	Kit, Casters Transfer - No Wheels
47-7353-539		Trim, CD/DC Door Handle
47-8092-339		Door Track Bottom CD38