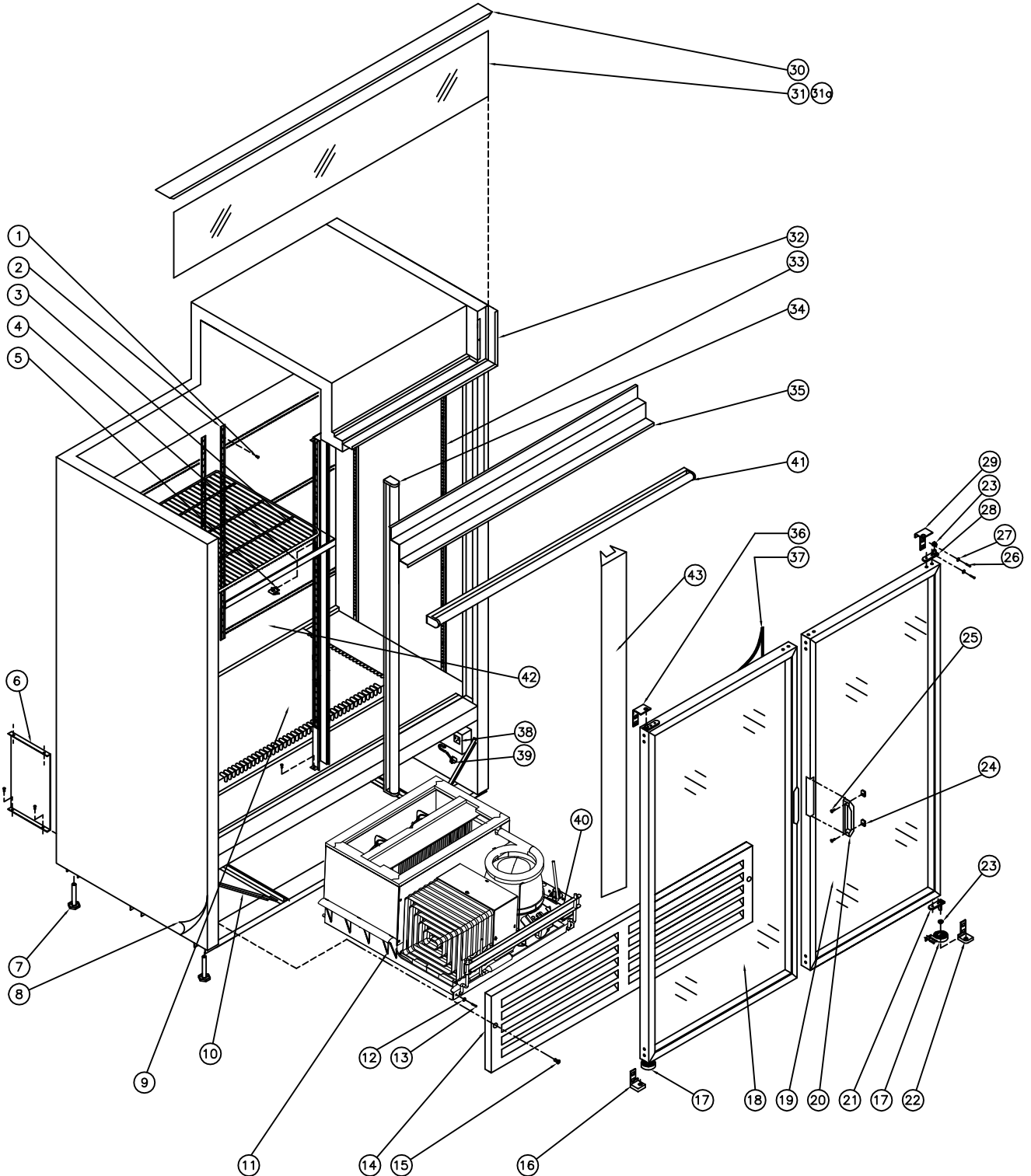


QBD® Cooling Systems

31 BRAMSTEELE ROAD  
BRAMPTON, ONTARIO  
L6W 3K6

TEL: (905) 459-0709  
FAX: (905) 459-1478

COOLER: CD39  
34-7039-XXX





**Cooling Systems Inc.**

31 Bramstele Rd  
Brampton, Ontario, Canada  
L6W 3K6

Telephone: (905) 459-0709  
Toll Free: (800) 633-3005  
FAX: (905) 459-1478  
[info@qbd.com](mailto:info@qbd.com)  
[www.qbd.com](http://www.qbd.com)

# CD39 Cooler

(34-7039-XXX) 120V, 60 Hz.

Item No.	Part No.	Pepsi Part No.	Description	Item No.	Part No.	Pepsi Part No.	Description
1	47-0400-007	510282	SCW Pilaster Stip "Custom"	22	47-0090-013	80977	Hinge, DC/CD RH BTM Door
2	47-0034-420		Pilaster Strip, 51"	23	47-0080-011	1005559	Insert Bronze 5/8 Odx0.250"
3	47-0200-195	1005804	Shelf Standard CD38	24	47-0090-072		Insert Door Handle
4a	47-0130-250	1000819	Price Holder DC40/60 18.75 Black	25	47-0400-038		SCW ST 8-32x.875 FT HD BK QUAD
4b	47-0130-130		Price Holder DC40/60 18.75 Blue	26	47-0264-308	83973	SCW MA 1/4 -20x.750 PAN HD QUAD
5	53-0377-032	510362	Bracket (clip) Shelf Support	27	53-0267-006	83974	Washer 1/4 Split - Lock Zinc
6	47-0034-415		Support CD Brace	28	47-0090-081	1009576	Pin Pivot Top
7	47-0530-089	510204	Level Leg .500x3.00x1.375 AF	29	47-0090-012	81559	Hinge, DC/CD RH Top Door
8	47-7045-932		Decal, Side DC26/47 Pepsi	30	47-8838-039		Cover CD39H Top Sign
9	47-0035-103	1022158	Duct, CD Large Air	31a	47-8836-633		Lens, CD38/39 White
10	-----		Not Applicable on CD39	31b	47-8836-932		Lens, CD38/39 Pepsi
11a	47-0011-207	1004668	Ref. Chassis 1/2 HP CD Tecumseh	32	47-8839-039		Frame, CD39 Top Sign
11b	47-0011-377		Ref. Chassis 1/2 HP CD Embraco	33	53-0377-031	80230	Pilaster Strip, 52" Aluminum
12	18-6147-002		Washer 5/16 Bolt Size 7/8" OD	34	47-0530-571	1005656	LED Lamp 16 Watt
13	20-0468-012		SCW SM #8 x 3/4", PH, TR, HD	35	47-0034-144		Reflector, CD39 Top Sign
14	47-8862-039		Grill, CD39 Front Black	36	47-0090-014	1001725	Hinge, DC/CD LH Top Door
15	47-0254-007		SCW MA 10-32x0.750 PH PAN HD	37	47-0140-022		Gasket, CD39H Door Mag. M-218
16	47-0090-015	1001724	Hinge, DC/CD LH BTM Door	38	47-0440-007	1003097	Outlet, 3 Wire
17	53-0149-069	510108	Spring DC Hinged Door	39	18-7218-001	1007217	Cord, Power 14/3 SJTW-A 12'
18	47-7654-739		Door Assy, CD39 LH	40	47-0033-410	1007047	Bracket, CD 1/3-1/2 HP Lift Rod Lock
19	47-7653-739		Door Assy, CD39 RH	41	47-0530-570	1006403	LED Lamp 13 Watt
20	47-0120-166	1002413	Handle, Recess Dr Charcoal Gray	42	47-0034-505		Panel, CD38/39 Back Discharge
21	47-0090-082	1009577	Pin Pivot Bottom	43	47-0011-073	1020460	Mullion, CD Hinged Assy
					47-0520-252	1008770	Kit, Electrics for TPB9423YAA
					47-0520-271		Kit, Electrics for FFU130HAX

**Note: Embraco Chassis went into production on xx/xx/2015  
Starting Serial # 1**

**Accessories:**

47-0011-215	1024708	Shelf, CD38/39 600ml Gravity
47-0034-128	61726	Key, Door T-Handle
47-0060-168	1005324	Gasket Seal Refer & Cab CD 1/2 HP
47-0130-441		Shelf Glide CD45 Blue
W47-0130-441		Shelf Glide CD45 White
47-0520-216	1001844	Caster Kit - Swivel Type
47-0520-218	1005838	Kit, CD Double Hinged Door Lock
47-0520-245	1001883	Kit, Casters Transfer - No Wheels