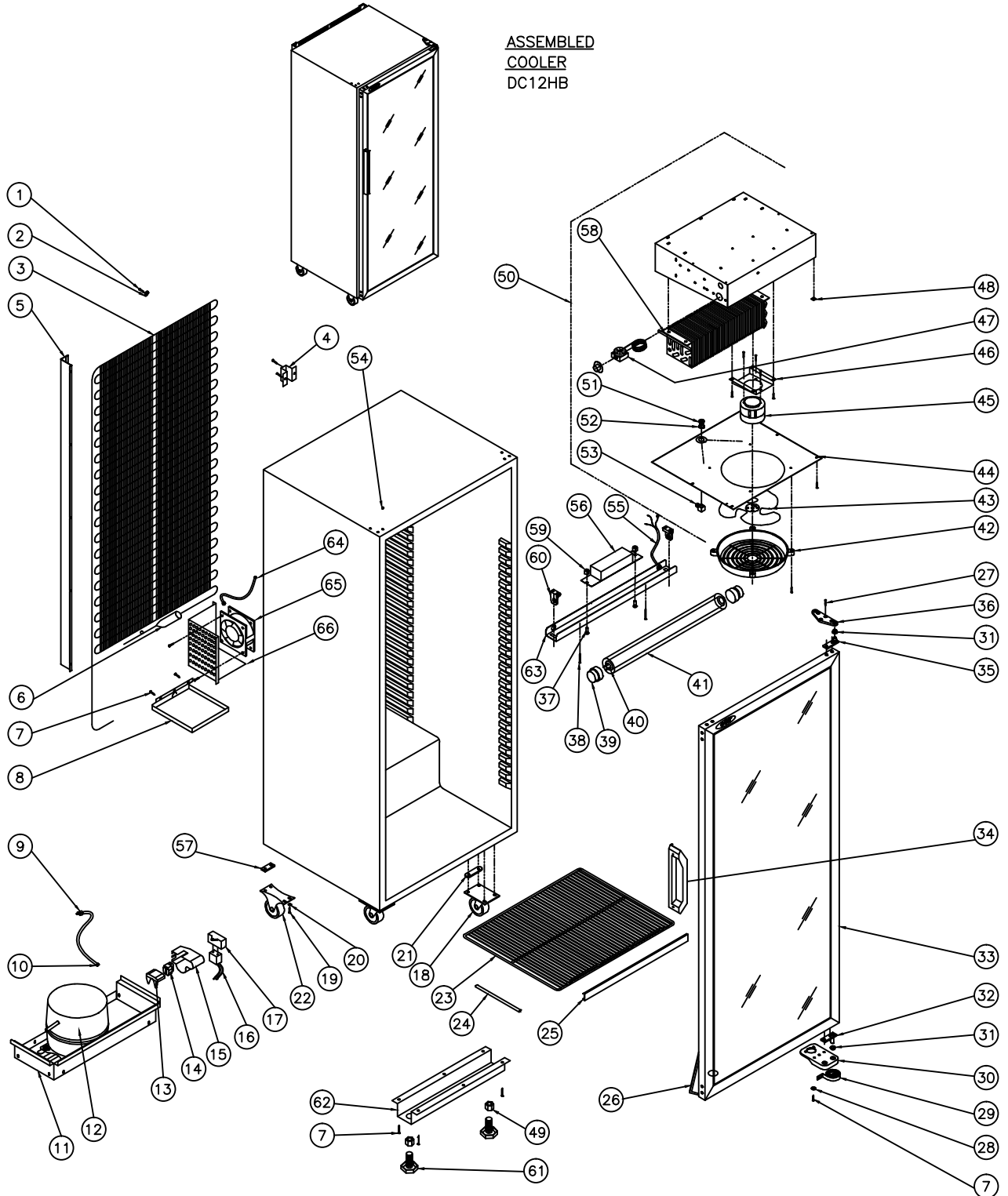


31 BRAMSTEELE ROAD
BRAMPTON, ONTARIO
L6W 3K6

QBD® Cooling Systems Inc.

TEL: (905) 459-0709 COOLER:
FAX: (905) 459-1478 DC12HB 34-9521-XXXL1 120V, 60Hz





Cooling Systems Inc.

31 Bramstele Rd
Brampton, Ontario, Canada
L6W 3K6

Telephone: (905) 459-0709
Toll Free: (800) 633-3005
FAX: (905) 459-1478
info@qbd.com
www.qbd.com

DC12 Cooler

(34-9521-XXXL1) 120V, 60 Hz.

Item No.	Part No.	Pepsi Part No.	Description	Item No.	Part No.	Pepsi Part No.	Description
1	20-0468-012		SCW SM #8 x ¾ PH TR HD	33	47-7619-739	510532	Door Assy DC-12
2	47-0460-015		Washer, #8 - .187 ID ¾ OD	34a	47-0120-166	1002413	Handle, Recess DR Charcoal Gray
3	47-0530-205		Condenser Coil DC12	34b	47-0010-615	59359	Handle Assy Kit (Older Style)
4	47-0031-411		Standoff, Cond. Coil DC7/12	35	47-0530-190	510512	Pin, Pivot Top
5	47-7982-039		Channel, Back Black DC12	36	47-0530-187	58186	Hinge, DC7/12 Top Bracket
6	47-0011-317		Drier Assy, ¼ Swagged	37	47-0254-005		SCW MA 10 - 32 x .375 PH PAN HD
7	53-0301-021		SCW SM #8 x ½ 'AB' PH TR HD	38	47-0297-513		SCW SM #8 x 2
8	47-0031-413	69689	Tray, DC-7/DC-12 Cond. Drip	39	47-0120-114	1020840	Cap, T8 Lamp Protector End
9	18-7218-001	1007217	Cord Power 14/3 SJTW-A 12' LG	40	47-0530-262	83983	Lamp Fluorescent Nom 18"
10	09-1051-801	96815	Strain Relief Bushing	41	47-0120-117	58596	Protector Lamp Tubes (F15T8)
11	47-0031-450		Base, DC12 Refrigeration	42	47-0120-095		Guard Fan Evap
12	47-0530-191	1003060	Compressor TPA1370YXA Tecumseh	43	47-0530-531		Fan Blade AD 7¾
13	47-0430-073	510442	Overload TPA1370YXA Tecumseh	44	47-0031-526	1005558	Tray, DC12 Shroud Drip
14	47-0430-074	510444	Relay TPA1370YXA Tecumseh	45a	47-0410-022	58269	Motor, Evap. 5 Watts (older style)
15	47-0430-076	510506	Cover, Elect.	45b	47-0410-024	83985	Motor Fan 4 Watt
16	47-0440-062		Capacitor, Wire Lead	46	47-0031-527		Bracket DC12 7¾ Evap Motor
17	47-0430-075	510446	Capacitor TPA1370YXA Tecumseh	47	47-0430-093	83987	Cold Control
18	47-0530-208		Wheel, 2½" Rigid DC10-12HB	48	18-7240-000		Nut 6-32 Speed J-Type
19	47-0301-011		SCW SM 10 x 1½	49	47-0264-513		Nut ½ -13 Hex Jam
20	53-0248-014		Washer Flat 10 .218 x .500 x .0625 Zinc	50	47-0010-483		Shroud Assy. DC12 7¾ Fan
21	47-0530-212		Spacer, DC12 Front Wheel	51	31-4213-000	151668	Connector Drain ½ - 20
22	47-0530-209		Wheel, 2½" Rigid DC10-12	52	47-0460-005	69695	Washer Drain Poly ½ ID x .687 OD
23	47-0200-105	60089	Shelf, DC12 Standard	53	31-4214-000	1003788	Drain Adapter
24	47-7993-033	81318	Clip, Shelf Stopper	54	47-0120-055	510516	Button, Belly Black
25a	47-0130-250	1000819	Price Holder DC40/60 18 ¾" Black	55	47-0450-118	1006248	Harness, DC7/10/12 Lamp Standard
25b	47-0130-249	1008789	Price Holder DC40/60 18 ¾" Blue	56	47-0530-263		Ballast, Electronic 1 Lamp
26	47-0140-008	59360	Gasket, DC-12 Door Mag. M-218	57	47-0530-216		Spacer, DC12 Back Wheel
27	47-0400-024	510518	SCW ST 8 - 32 x ½ FT HD BLK QD	58	47-0530-206	68266	Evaporator Coil DC12
28	47-0460-015		Washer #8 .187 ID x ¾ OD x .031T	59	20-0498-005		Nut 10 - 32 Keps
29	53-0149-069	510108	Spring, Door	60	47-0440-076	81809	Lamp Holder Eurotype Shunted
30	47-0530-188	510498	Hinge, DC7/12 Bottom Bracket	61	47-0530-089	510204	Level Leg .500X3.000X1.375 AF
31	47-0080-006	510044	Insert, Bronze	62	47-0031-482		Support, DC12 Front Leg
32	47-0530-192	510386	Pin, Pivot Bottom	63	47-8058-033		Housing, DC10/12 Lamp

Accessories:

47-0034-128	61726	Key, Door T-Handle
47-0520-185	1000383	Door Lock, DC6/7/10/12
47-0520-198		Kit, Cold Control w/Knob 093
47-0520-204		Kit, Comp & Electrics TPA1370YXA
47-0520-207	1008771	Kit, Electrics for TPA1370YXA
47-0520-214	57175	Caster Kit – Uni-Directional
47-0520-216	1001844	Caster Kit – Swivel Type
47-0520-239	82964	Kit, DC10/12 LED Conversion
47-0520-245	1001883	Kit, Casters Transfer - No Wheels
47-7984-932		Decal, Side Pepsi DC12
47-7985-932	1000818	Decal, Door Pepsi DC10/12