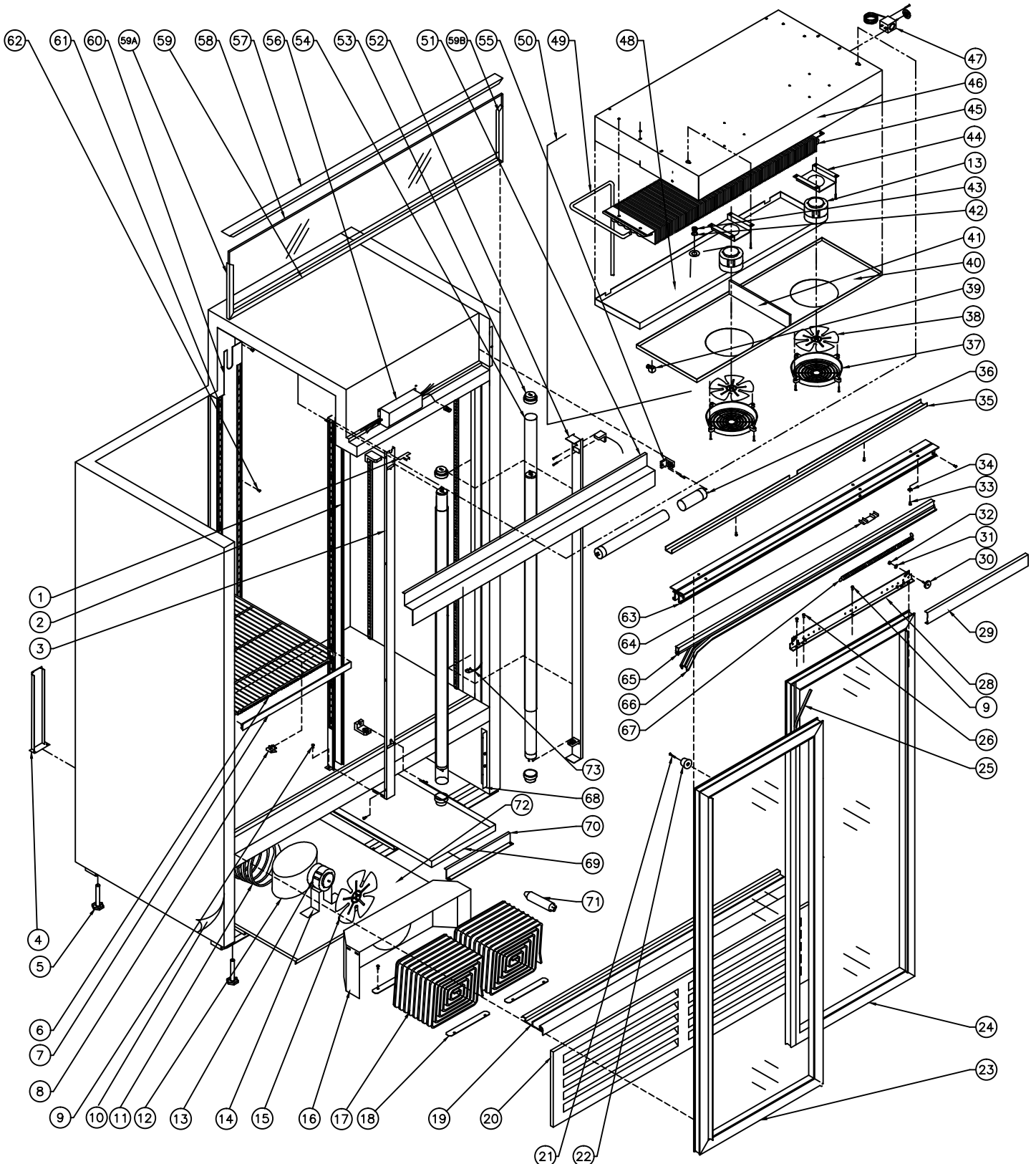


QBD® Cooling Systems

31 BRAMSTEELE ROAD
BRAMPTON, ONTARIO
L6W 3K6

TEL: (905) 459-0709
FAX: (905) 459-1478

COOLER:
DC45 34-6845-XXX





Cooling Systems Inc.

31 Bramsteede Rd
 Brampton, Ontario, Canada
 L6W 3K6
 Telephone: (905) 459-0709
 Toll Free: (800) 633-3005
 FAX: (905) 459-1478
info@qbd.com
www.qbd.com

DC45 Cooler

(34-6845-XXX) 120V, 60 Hz.

Item No.	Part No.	Pepsi Part No.	Description	Item No.	Part No.	Pepsi Part No.	Description
1	47-0032-115		Support, DC45 Center Post	38	47-0530-531		Fan Blade AD 7¾ CW31UBA
2	47-8074-033		Center Post DC45 LH	39	31-4214-000	1003788	Drain Adaptor
3	47-8075-033		Post DC45 Center Cover	40	47-0032-112		Cover DC45 Air Tunnel
4	-----		No Longer Applicable	41	47-0033-752		Stiffener, Evap. Shroud
5	47-0530-089	510204	Level Leg ½ x 3 x 1.375 AF	42	47-0460-005	69695	Washer Drain Poly ½ ID x 0.687 OD
6	47-0200-131	1008499	Shelf DC45	43	31-4213-000	151668	Connector Drain ½ - 20
7a	47-0130-247	1008788	Price Sticker Holder Blue	44	47-0031-011		Mounting Bracket Evap Fan
7b	47-0130-248		Price Sticker Holder Black	45	47-0530-267	1022138	Evap. Coil DC45
8	53-0377-032	510362	Bracket (Clip) Shelf Support	46	47-0032-111		Shroud DC45 Evap.
9	47-0400-021		SCW SM 10 x ¾ "B" IND SL HX HD	47	47-0430-093	83987	Cold Control
10	47-8148-932	1001787	Decal, DC45 Side Pepsi	48	47-0032-113	1003789	Drip Tray, DC45/47 Evap
11	47-0100-138		Suction Line to Compressor	49	47-0100-139		Suction Line From Evap. Coil
12	47-0530-147	250858	Compressor AKA4476YXA Tecumseh	50	47-0010-632		Shroud DC45 Evap Assy for Dual Cond.
13	47-0410-027	510098	Motor Fan 9 Watt	51	47-8070-033		Reflector DC45 Top Sign
14	47-0031-801		Cond. Motor Fan Bracket	52	47-8073-033	1006848	Reflector DC45 Side Vert. Lamp
15	33-2420-001	1003098	Fan Blade 8¾ DIA	53	47-0120-114	1020840	Cap, Lamp Protector End-T8
16	47-0032-172		Cond. Shroud.	54	47-0120-115		Protector Lamp Tubes-T8
17	47-0530-259	1004639	Cond. Lint Forging Coil	55	47-0440-076	81809	Lamp Holder Euro-Type Shunted
18	47-0032-013		Bracket Cond. Hold down	56	47-0530-261	1001710	Ballast, Electronic 4 Lamp
19	47-8093-139		Bottom, DC45 Guide 47.875"	57	47-8098-039	1000864	Cover DC45 Top Sign
20	47-8080-039		Grill CD/DC 45 Front Black	58	47-8096-932	69848	Lens, DC45 Top Pepsi
21	20-0468-012		SCW MA 8 x ¾ PH TR HD	59a	47-8095-039	1000885	Frame DC45 Botton Top sign
22	47-0120-075	1024709	Bumper, Rubber Stopper	59b	47-8607-039	1001716	Frame, DC45 LH Top Sign
23	47-7625-739	83771	Door Assy Left Hand	59c	47-8606-039	1002297	Frame, DC45 RH Top Sign
24	47-7624-739	83770	Door Assy Right Hand	60	47-0032-120		Channel DC45/47 Cover
25	47-7361-039	69563	Seal Foam Door Vert.	61	53-0377-031	80230	Pilaster Strip 52"
26	47-0400-019		SCW TR 8-32 x ½ Slot HEX HD	62	47-0400-007	510282	SCW SM 8 - 18x0.38 Spacer Hex
27	47-0400-024	510518	SCW ST 8-32 x ½ PH FT HD Blk.	63	47-0032-157	1006656	Track Door 47½" I DC45
28	47-0032-107	1006921	Bracket CD45 Door Hanging	64	47-7386-039	67589	Extrusion Track Filler
29	47-8076-039	1003279	Cover, CD/DC45 Wheel Black	65	47-7393-439	1004669	Seal Holder Door DC45 47½"
30	47-0530-088	69715	Wheel Sliding Door	66	47-7359-139	69706	Seal Foam Door Horiz 96"
31	53-0138-013	1006114	Washer, ¼" Int/ Ext 'A'	67	53-0149-076	1024322	Door Spring
32	47-0360-036	1006115	Nut, ¼ - 20 HX 2 Way Lock ZC	68	47-0032-148		Support DC45 Grill
33	47-0264-308	83973	SCW, MA ¼ - 20 x ¾ PH PAN HD	69	47-0032-202	1001290	Condenser DC47 Drip Tray
34	53-0267-006	83974	Washer ¼" Split Lock Zinc	70	47-0032-203		Holddown DC47 Condenser Drip Tray
35	47-8071-033		Wireway	71	47-0011-317		Drier Assy, ¼" Swagged
36	47-0530-257		Lamp, Fluorescent T8-F32	72	47-0032-173		Platform DC45 Compressor
37	47-0120-095	69699	Guard Fan Evap Black	73	47-7379-139	69690	Gasket Foam Vert. Cabinet 53" LG

Accessories:

47-0130-441		Shelf Glide CD45 Blue
47-0430-051	1003401	Capacitor AKA4476YXA Tecumseh
47-0430-052	83979	Overload AKA4476YXA Tecumseh
47-0430-170	1003032	Relay AKA4476YXA Tecumseh
47-0520-077	81272	Lock & Key Assy Sliding Door
47-0520-198		Kit, Cold Control w/Knob 093
47-0520-206		Kit, Electrics for AKA4476YXA
47-0520-216	1001844	Caster Kit - Swivel Type
47-0520-241		Kit, DC45/47 LED Conversion
47-0520-245	1001883	Kit, Casters Transfer - No Wheels
47-7353-539		Trim, CD/DC Door Handle
47-8092-139	1003399	Door Track Bottom DC45
W47-0130-441		Shelf Glide CD45 White