

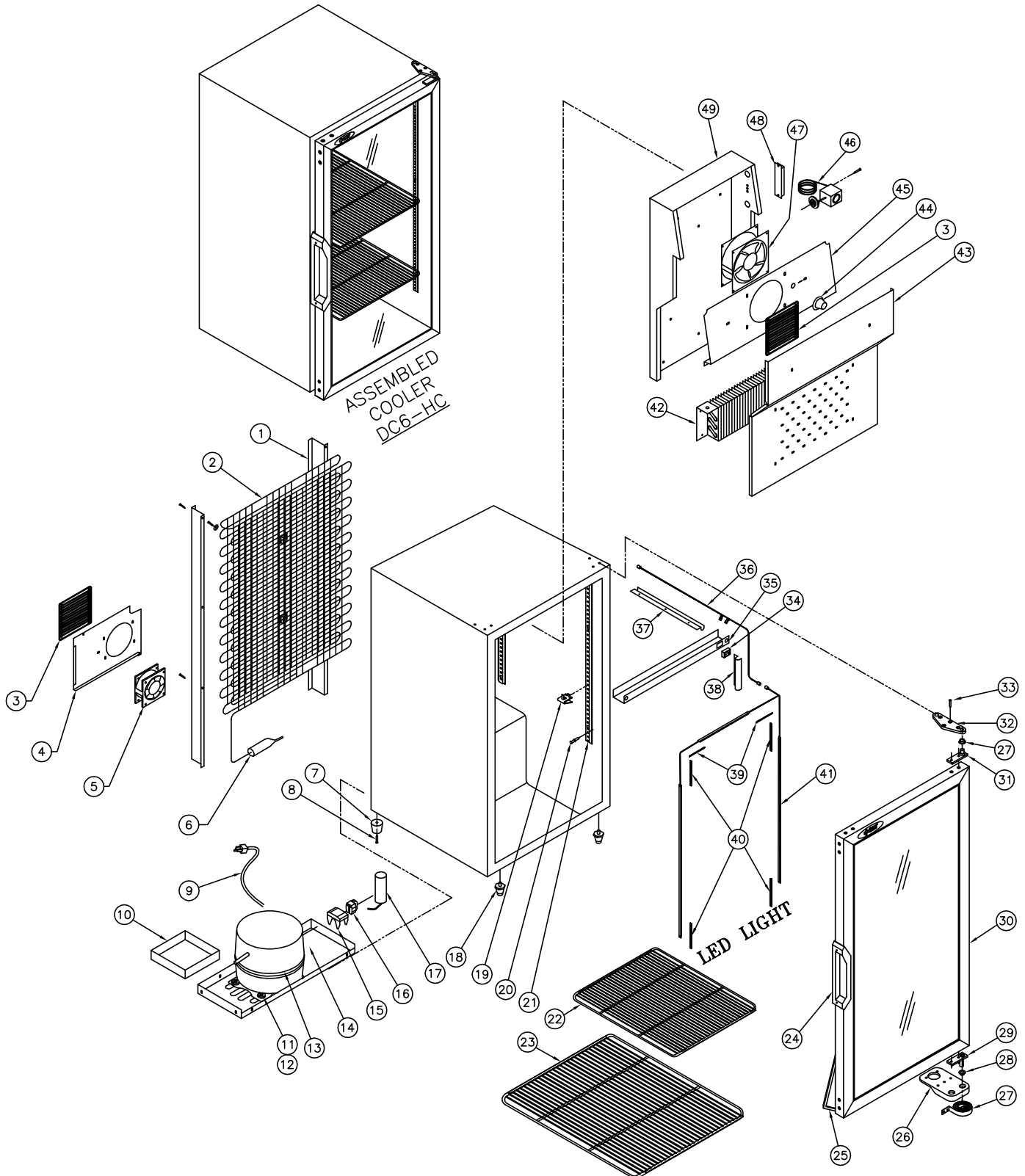
31 BRAMSTEELE ROAD  
BRAMPTON, ONTARIO  
L6W 3K6

QBD<sup>®</sup> Cooling Systems Inc.

TEL: (905) 459-0709  
FAX: (905) 459-1478

COOLER : DC6-HC  
84-9506-XXX 120V, 60Hz

## Exploded View : DC6-HC





QBD Cooling Systems Inc.  
 31 Bramsteele Road  
 Brampton, ON, L6W 3K6  
 Canada  
 Telephone: (905) 459-0709  
 Toll Free: (800) 663-3005  
 Fax: (905) 459-0709  
[info@qbd.com](mailto:info@qbd.com)  
[www.QBD.com](http://www.QBD.com)

# DC6-HC Cooler

(84-9506-XXX) 120V, 60 Hz.  
 1GW

Item No.	Part No.	Pepsi Part No.	Description	Item No.	Part No.	Pepsi Part No.	Description
1	47-9137-039	1025284	Channel Back DC6/LP	26	<a href="#">47-0530-188</a>	510498	Hinge, DC7/12 Bottom Bracket
2	47-0530-702		Condenser Coil Static Common	27	<a href="#">53-0149-069</a>	510108	Spring Door
3	47-0200-160		Grill, Evap/Cond Fan	28	<a href="#">47-0080-006</a>	510044	Insert Bronze
4	47-0035-733		Plate, DC6/LP Cond. Fan	29	<a href="#">47-0530-192</a>	510386	Pivot Pin Bottom DC7/12
5	47-0410-077		Motor Fan Muffin AFL12AUHEFZ5	30	47-7630-739	82322	Door Assy DC6
6	47-0011-316	1054359	Drier Assembly 1/4" Straight	31	<a href="#">47-0530-190</a>	510512	Pivot Pin Top DC7/12
7	47-0530-196	510456	Leg, Non Adjustable	32	<a href="#">47-0530-187</a>	58186	Hinge, DC7/12 Top Bracket
8	53-0303-130	574816	Screw MA 1/4 20 X 1 1/2" PH PAN HD	33	<a href="#">47-0400-038</a>	1005107	Screw ST 8 - 32 x 1/8 FT HD BK QUAD
9	47-0180-002	1009845	Power Cord 18G 8'	34	47-0430-252	871430	Switch Rocker 10A
10	47-0033-305	1022174	Drip Tray, DC6/7 Cond.	35	47-0035-673		Channel, DC6/LP-HC LED Switch
11	47-0530-664		Grommet Compressor Foot 2221004	36	<a href="#">47-0450-320</a>	1030954	Harness, DC6/7-HC LED Switch
12	<a href="#">47-0370-001</a>		Clip, Compressor Mounting	37	47-0130-821		Channel, DC6 Wireway Cover
13	47-0530-763		Compressor, 1/8 HP TCW350U Tecumseh	38	47-0131-023		Channel 3 1/2" Wireway Cover
14	47-0035-734		Platform DC6/LP Compressor	39	47-0130-748	1030393	Cap, CD26-HC Side LED Snap 2.75
15	47-0430-271		Overload TCW350U Tecumseh	40	47-0130-785	1030397	Cap, CD45-HC Top LED
16	47-0430-272		Relay TCW350U Tecumseh	41	<a href="#">47-0530-706</a>	1031556	LED, Daisy Chain 2' - 1' - 2'
17	47-0430-273	1032812	Capacitor TCW350U Tecumseh	42	47-0530-897		Coil Evaporator DC6/LP/PC8
18	47-0530-203	510458	Leg, Adjustable	43	47-0035-672		Cover, DC6 Lower Shroud
19	<a href="#">53-0377-032</a>	510362	Bracket (clip) Shelf Support	44	47-0120-237		Cold Control Knob
20	47-0400-007	510282	Screw Pilaster Strip "Custom"	45	47-0035-670		Cover Upper Shroud DC6/LP
21	47-0033-310		Pilaster Strip DC6	46	47-0430-257	1032027	Cold Control
22	47-0200-252		Shelf DC6 Lower	47	47-0410-077		Motor Fan Muffin AFL12AUHEFZ5
23	47-0200-174	1002393	Shelf DC6	48	<a href="#">47-0440-088</a>	1030128	Driver, LED 10W IP-66
24	<a href="#">47-0120-166</a>	1002413	Handle, Recess DR Charcoal Gray	49	47-0035-669		Shroud, DC6-HC
25	47-0140-016	1001429	Gasket Door DC6				

#### Optional Back Cover:

47-8475-039		Cover, DC6 Cond New Style
47-8468-039	1008529	Cover, DC6 Cond Back Black

#### Decals / Lens:

47-8470-XXX		Decal Door DC6
47-8471-XXX		Decal, DC6 RH Side Decal
47-8472-XXX		Decal, DC6 LH Side Decal

#### Accessories:

47-0011-575		Shroud Assembly, DC6-HC
47-0020-596		Suction Line DC6 New
<a href="#">47-0034-128</a>	61726	Key, Door T-Handle
47-0130-822		Channel LED Top DC6-HC
47-0130-823		Channel LED Side DC6-HC
47-0520-185	1000383	Kit, Lock Door DC6/7/10/12
47-0520-209	1009774	Kit, DC6 Leg Lift 1 1/4" Max
47-0520-210		Kit, DC6 Cond. Cover Opening
47-0520-253	1009773	Kit, DC6 SS Cover Top
47-0520-300		Kit, Electrics for TCW350U
<a href="#">47-0530-240</a>		Thermometer 4"
47-0530-499		Leg, DC6 1 1/4" Adjustable
47-0530-637		Leg, DC6 Adjustable