

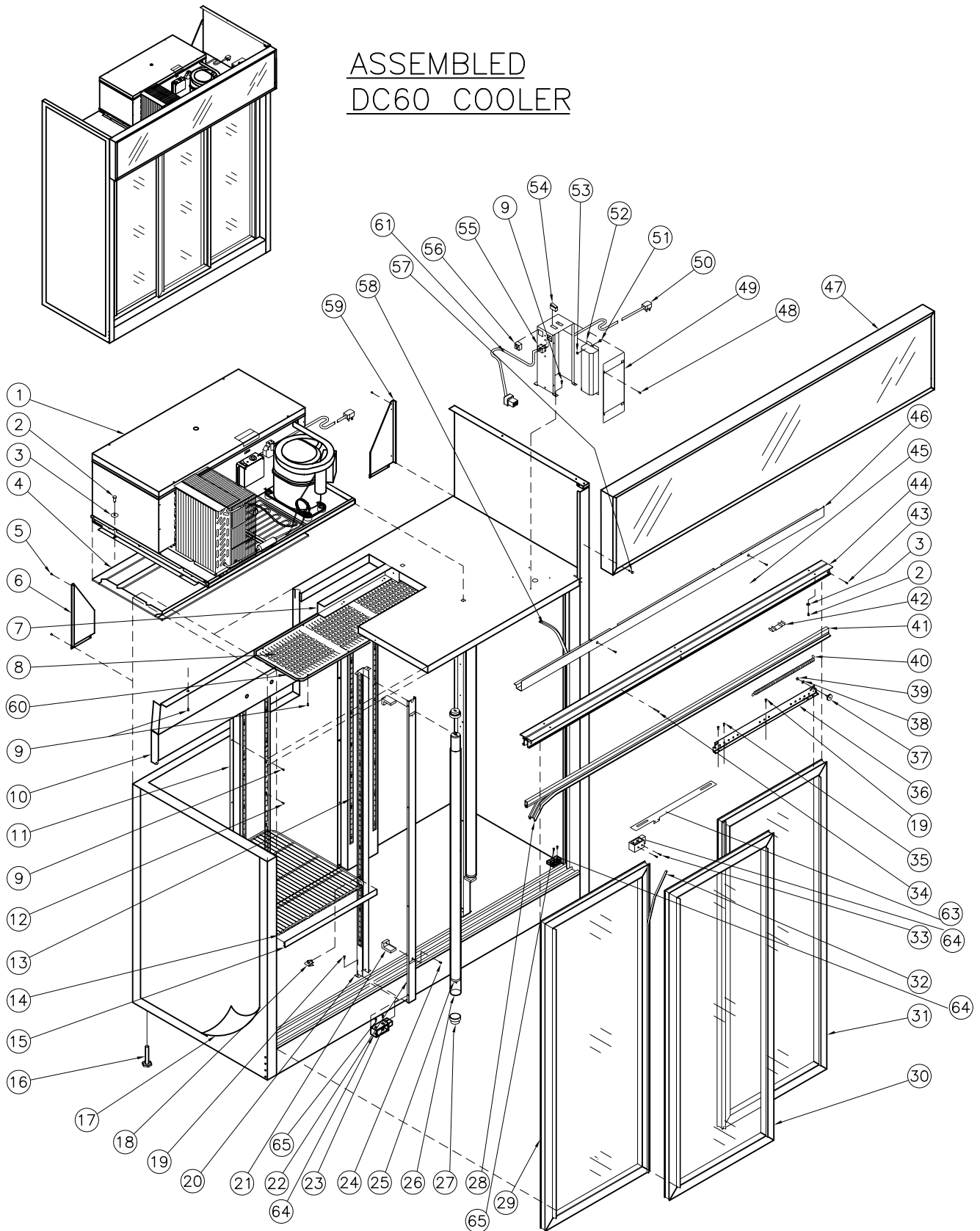
31 BRAMSTEELE ROAD
BRAMPTON, ONTARIO
L6W 3K6

QBD[®] Cooling Systems Inc.

TEL: (905) 459-0709
FAX: (905) 459-1478

COOLER:
DC60 34-9513-XXX 120V, 60Hz

ASSEMBLED
DC60 COOLER



DC60 Cooler
(34-9513-XXX) 120V, 60Hz

Item No.	Part No.	Description	Item No.	Part No.	Description
1	47-0010-370	Refr Chassis Super 1/2HP	31	47-7776-239	Door Assy DC60ST RHS Pln N/D
2	47-0264-308	Scw, MA 1/4-20x.750 PH Pan HD	32	47-7361-039	Seal Foam Door Vert 5' Long
3	53-0267-006	Whr 1/4" Split Lock	33	20-0468-012	Scw. SM # 8x.750 PH TR Hd.
4	47-0060-083	Seal Gasket Ref & Cab 40/60 Kit	34	47-0297-511	Scw SM #8-1.500" PH Pan HD
5	20-1141-001	Scw, SD 8x.500 PH Pan HD	35	47-0400-019	Scw TR 8-32x.500 Slot Hex HD
6	47-0030-630	Gusset Corner Rear LH	36	47-0031-197	Door Mount Bracket
7	47-0030-875	Divider Evap Air DC40s & DC60S	37	47-0530-088	Wheel Sliding Door 1" Dia 1/4-20
8	47-0031-290	Mesh, Inlet DC40/49/60	38	53-0138-013	Washer, 1/4" Int/Ext 'a'
9	53-0301-021	Scw SM 8x.500 'AB' PH TR HD	39	47-0360-036	Nut, 1/4-20 Hx 2way lock ZC
10	47-0031-079	Baffle Air Discharge DC60ST	40	53-0149-076	Spring Door (Back Door)
11	47-0030-801	Pilaster Support Center Rear		53-0149-074	Spring Door (Front Door)
12	47-0400-007	Scw SM 8-18x.65 A Space Hex HD	41	47-7393-139	Seal Holder Door, DC60 67"/98
13	53-0377-031	Pilaster Strip	42	47-7386-039	Extrusion Track Filler .875
14	47-0200-025	Shelf DC40S/DC69ST Standard	43	20-0468-004	Scw SM #6x.500 'A' PH TR HD
15	47-7366-239	Price Stick Holder 18.750"LG	44	47-0031-568	Track Door 67" DC60ST/98
16	47-0530-089	Level Leg .500x3.000x1.375 AF	45	20-0468-012	Scw SM 8x.750 'AB' PH TR HD
17	47-7046-xxx	Decal (Side)	46	47-7903-239	Cover Wire Raceway DC60ST
18	53-0377-032	Bracket (Clip) Shelf Support	47	47-0010-656	Sign Assy DC60H BLK
19	47-0400-021	Scw SM 10x.75 "B" Ind SL Hx Hd	48	47-0400-012	Scw, SM 8x.375 'B' Ind Hex HD
20	47-0031-077	Post Center Front DC60ST Alum	49	47-0030-800	Cover Power Box
21	47-0440-076	Lampholder Euro-Type Shumted	50	18-7218-001	Cord Service 16/3 SJTW-A 12' Long
22	47-7515-033	Cover Center Lightpost Front	51	47-0254-005	Scw Ma 10-32x.375 PH Pan HD Sem
23	47-0400-012	Scw SM #8x.375 "B" Ind Hex HD	52	47-0530-261	Ballast, Electronic 4 Lamp
24	20-0469-016	Scw MA 6-32x.312 PH TR HD	53	20-0498-005	Nut 10-32 Keys
25	47-0530-257	Lamp Fluorescent Nom. 48"	54	47-0430-030	Switch On/Off 16A Rocker W/I.O
26	47-0120-115	Protector Lamp Tube	55	47-0032-086	Box Power, DC60ST L2
27	47-0120-114	Cap, T8 Lamp Protector End	56	47-0440-007	Outlet 3 Wire 115V C/W Term
28	47-7359-039	Seal Foam Door Horiz (135 1/2"L)	57	47-0400-004	Scw. MA 8-32 X .500 PH TR HD 2CLL
29	47-7778-239	Door Assy DC60ST LHS Pln N/D	58	47-7379-039	Gasket Foam Vert. C-Fold 60" LG
30	47-7777-239	Door Assy DC60ST CTR Pln N/D	59	47-0030-631	Gusset Corner Rear RH
			60	47-0130-159	Channel, Extrusion
			61	47-0450-136	Harness, 68 POS PC02-120-1-0
			62	47-0530-210	Strain Relieief # SR-7N-2
			63	47-0032-175	Support, DC60 CNT DR Bumper
			64	47-0130-251	Door Stop
			65	53-0271-054	Scw SM #10x2.500 PH TR Hd.

