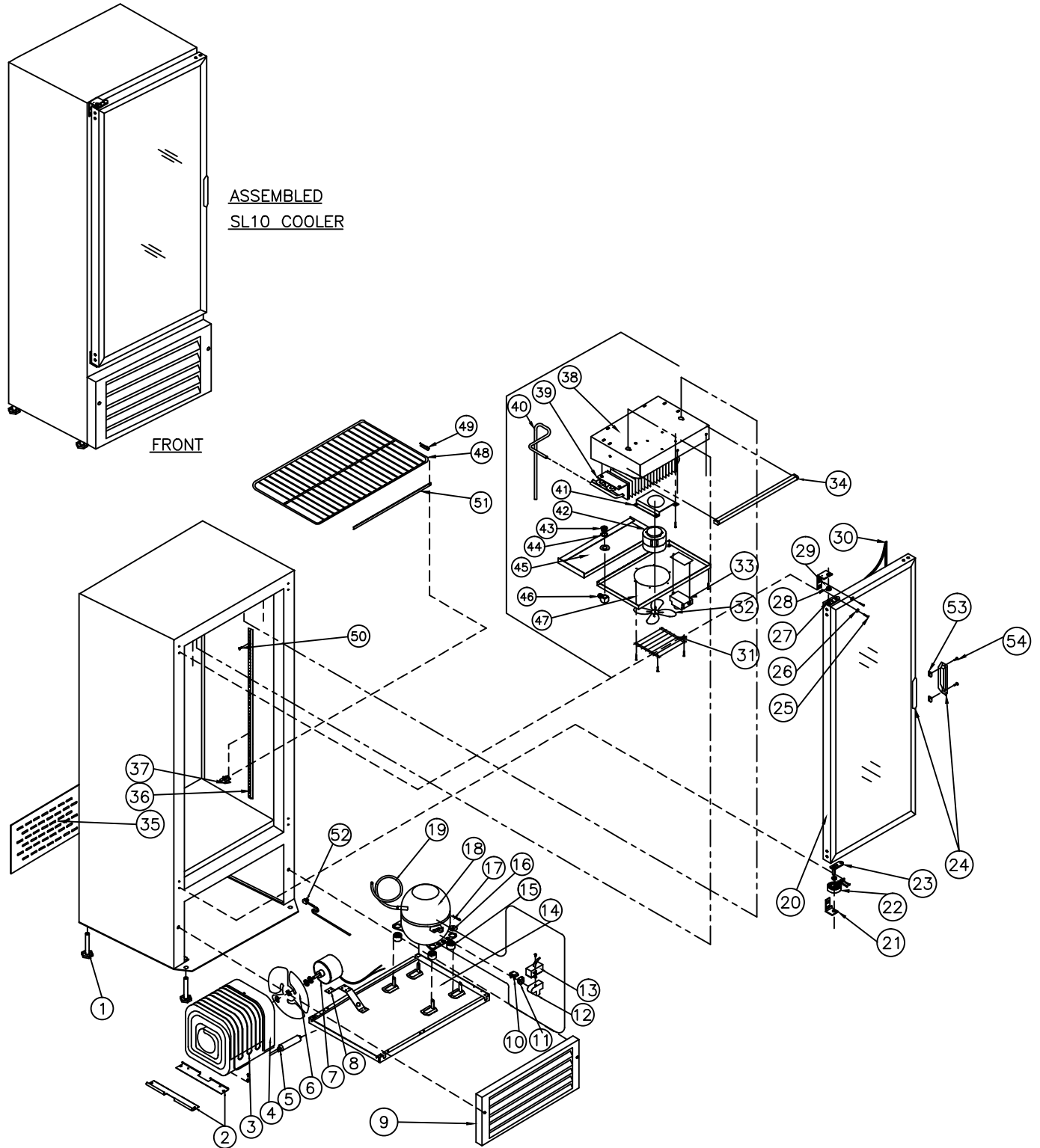


31 BRAMSTEELE ROAD
BRAMPTON, ONTARIO
L6W 3K6

QBD[®] Cooling Systems Inc.

TEL: (905) 459-0709
FAX: (905) 459-1478

COOLER: SL 10
34-6810-639 120V, 60Hz



NOTE: FOR RIGHT HAND HINGE DETAILS, SEE PARTS LISTING.



Cooling Systems Inc.

31 Bramstele Rd
Brampton, Ontario, Canada
L6W 3K6

Telephone: (905) 459-0709
Toll Free: (800) 633-3005
FAX: (905) 459-1478
info@qbd.com
www.qbd.com

SL10 Cooler

(34-6810-XXX) 120V, 60 Hz.

Item No.	Part No.	Pepsi Part No.	Description	Item No.	Part No.	Pepsi Part No.	Description
1	47-0530-089	510204	Level Leg ½ x 3 x 1 ¾ AF	27	47-0090-081	1009576	Pin Pivot Top
2	47-0035-022		Support ¼ HP Condensor	28	47-0080-011	1005559	Insert Bronze ⅝ OD x ¼"
3	47-0530-549	1008572	Cond, Coil Lint Forgiven, 5/16	29	47-0090-014	1001725	Hinge LH Top Door
4	47-0034-272		Shroud Cond. SL10/DC10PT	30	47-0140-026	1006805	Gasket Door Mag. SL10/PT M-218
5	47-0011-322		Drier Assy, 5/16" Swagged	31	47-0200-166		Guard, Condensor, DAC3
6	47-0530-541		Fan Blade OP OU7737-5 CW	32	47-0120-060	510208	Fan Blade 6" Dia.
7	47-0410-053	1004931	Motor, 6W "PSC" - Electric	33	47-0520-258		Danfoss Control
8	47-0034-226		Bracket, SL10/DC10 Cond. Tie DN	34	47-0530-569	1005655	LED Lamp 6 Watt
9	47-8883-039	1003750	Grill, Front Black SL10	35	47-8875-039	58710	Grill, Black Back Cover SL10
10a	47-0430-073	510442	Overload TPA1370YXA Tecumseh	36	47-0034-370		Pilaster Strip 33"
10b	47-0430-233		Overload EGZS60HLP Embraco	37	53-0377-032	510362	Bracket Clip Shelf Support
11a	47-0430-074	510444	Relay TPA1370YXA Tecumseh	38	47-0034-282		Shroud SL10 Evap.
11b	47-0430-242		Relay EGZS60HLP Embraco	39	47-0530-557		Evap. Coil SL10
12	47-0430-076	510506	Cover Elect.	40	47-0020-572		Suction Line SL10
13a	47-0430-075	510446	Capacitor TPA1370YXA Tecumseh	41	47-0031-011		Mtg Brkt. Evap. Fan
13b	47-0430-243		Capacitor EGZS60HLP Embraco	42	47-0410-050	82654	Motor 4W "PSC" - Electric
14	47-0033-399		Platform, CD ¼ HP Compressor	43	31-4213-000		Connector Drain ½ - 20
15	18-9723-000		Grommet (Compressor Foot) 70711	44	47-0460-005		Washer Drain Poly ½ ID x0.68OD
16	18-6147-000		Washer ⅜ SAE Flat ZC WFS-37	45	47-0034-284		Drip Tray SL10 Evap.
17	47-0370-001		Clip Compressor Mounting #79555	46	31-4214-000	1003788	Drain Adapter
18a	47-0530-191	1003060	Compressor TPA1370YXA Tecumseh	47	47-0034-283		Cover SL10 Evap. Shroud
18a	47-0530-660		Compressor EGZS60HLP Embraco	48	47-0200-197		Shelf SL10 Standard
19	47-0100-298		Suction Line Extension SL-10	49	47-0034-003		Clip, CD14 Shelf Stopper
20	47-7662-739	1002509	Door Assy SL10 RH	50	47-0400-007	510282	SCW Pilaster Strip "Custom"
21	47-0090-015	1001724	Hinge LH Bottom Door	51a	47-0130-130		Price Holder DC40/60 18¾ Blue
22	53-0149-069	510108	Spring DC Hinged Door	51b	47-0130-250	1000819	Price Holder DC40/60 18¾ Blk
23	47-0090-082	1009577	Pin Pivot Bottom	52	18-7218-001	54044	Cord Power 14/3 SJTW-A 12' LG
24	47-0120-166	1002413	Handle, Recess Dr Charcoal Gray	53	47-0090-072		Insert Door Handle
25	47-0264-308	83973	SCW MA ¼ - 20 X ¾ PAN HD QUAD	54	47-0400-038		SCW ST 8 - 32 X ¾ FT HD BK
26	53-0267-006	83974	Washer ¼ Split Lock Zinc				

**Note: Embraco Compressor went into production on 22-FEB-16
Starting Serial # 1DY160204337225**

Right Hand Hinge Parts:

47-0090-013	80977	Hinge, RH Bottom Door
47-0090-012	81559	Hinge, RH Top Door

Accessories:

47-0034-128	61726	Key, Door T-Handle
47-0130-632		Shelf Glide SL10 Blue
47-0200-198		Shelf SL10 600ml Gravity
47-0200-200		Rack, SL10 Rolling 16oz Cans
47-0520-204		Kit, Comp & Electrics TPA1370YXA
47-0520-207	1008771	Kit, Electrics for TPA1370YXA
47-0520-215	1001418	Kit, Lock Hasp Single Door
47-0520-216	1001844	Caster Kit - Swivel Type
47-0520-245	1001883	Kit, Casters Transfer - No Wheels
47-0520-274		Kit, Electrics for EGZS60HLP