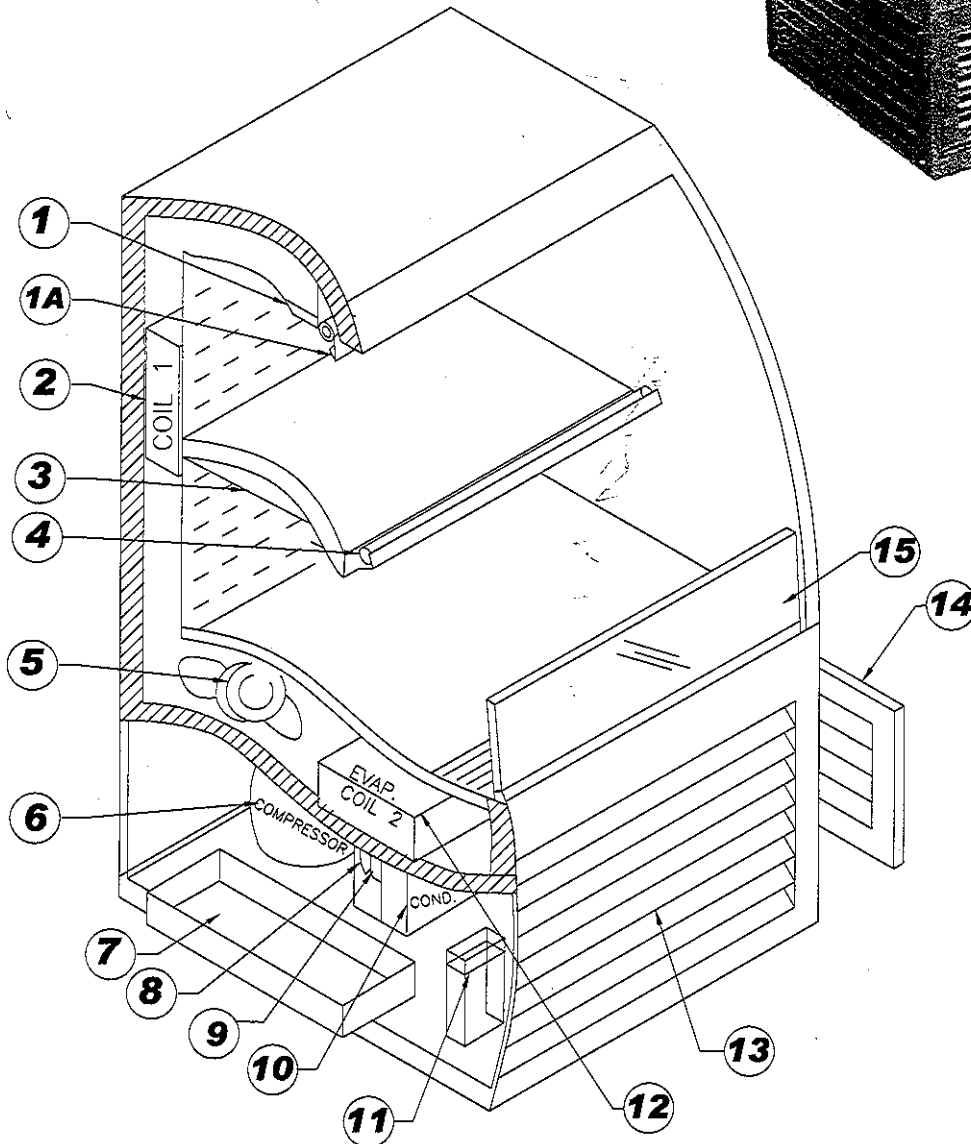
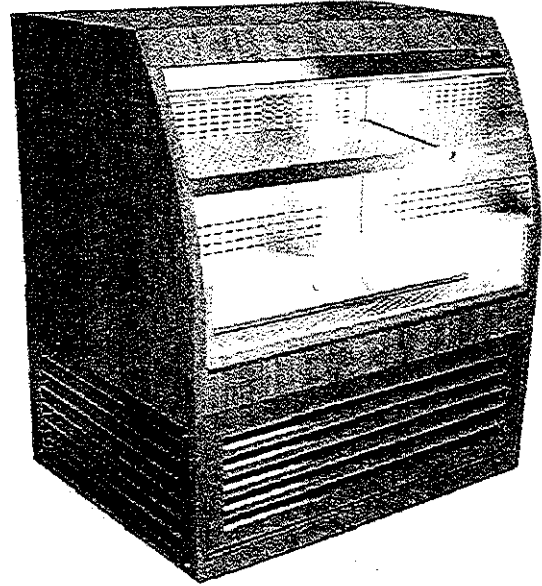


QBD[®] MODULAR SYSTEMS INC.

31 Bramsteele Road, Brampton, Ontario, Canada L6W 3K6
TEL: (905) 459-0709 FAX: (905) 459-1478
WWW.QBD.COM

MODEL: WC4239

WC4239 ASSEMBLY



TIM HORTON
WC4239 REPLACEMENT PART BREAKDOWN
2013 PRICE LIST

ITEM NO.	QBD PART NO.	TDL PART NO.	DESCRIPTION	PRICE	
1	740130268		HONEYCOMB CTR2952SSR	26	
1A	470530642		40" x 36" ALUMINIUM WOVEN NIGHT CURTAIN	190	
2	470530595		EVAP. COIL - #1	352	
3	470035072		S.S. 10" SHELF	72	
4	470530569		LED LIGHT FIXTURE	80	EACH
5	470410037		EVAP. MUFFIN FAN H.S. MOTOR	31.58	
6	470530147		COMPRESSOR	524.26	
7	470053073		S.S. HOT GAS PAN	80	
8	530341022		CONDENSER FAN BLADE	13.08	
9	470410029		CONDENSER FAN MOTOR	82.3	
10	470530100		CONDENSER COIL	140	
11	470430186		CAREL CONTROLLER	132.5	
12	470530595		EVAP. COIL - # 2	325	
13	470035070		WC4239 S.S. FRONT GRILL	130	
14	470035071		WC4239 S.S. SIDE GRILL	80	
15	477400057		REMOVABLE TEMPERED FRONT GLASS 40 1/6" x 6"	210	