

DESPIECE / SPARE PARTS

Molinos Cunill Cunill Grinders



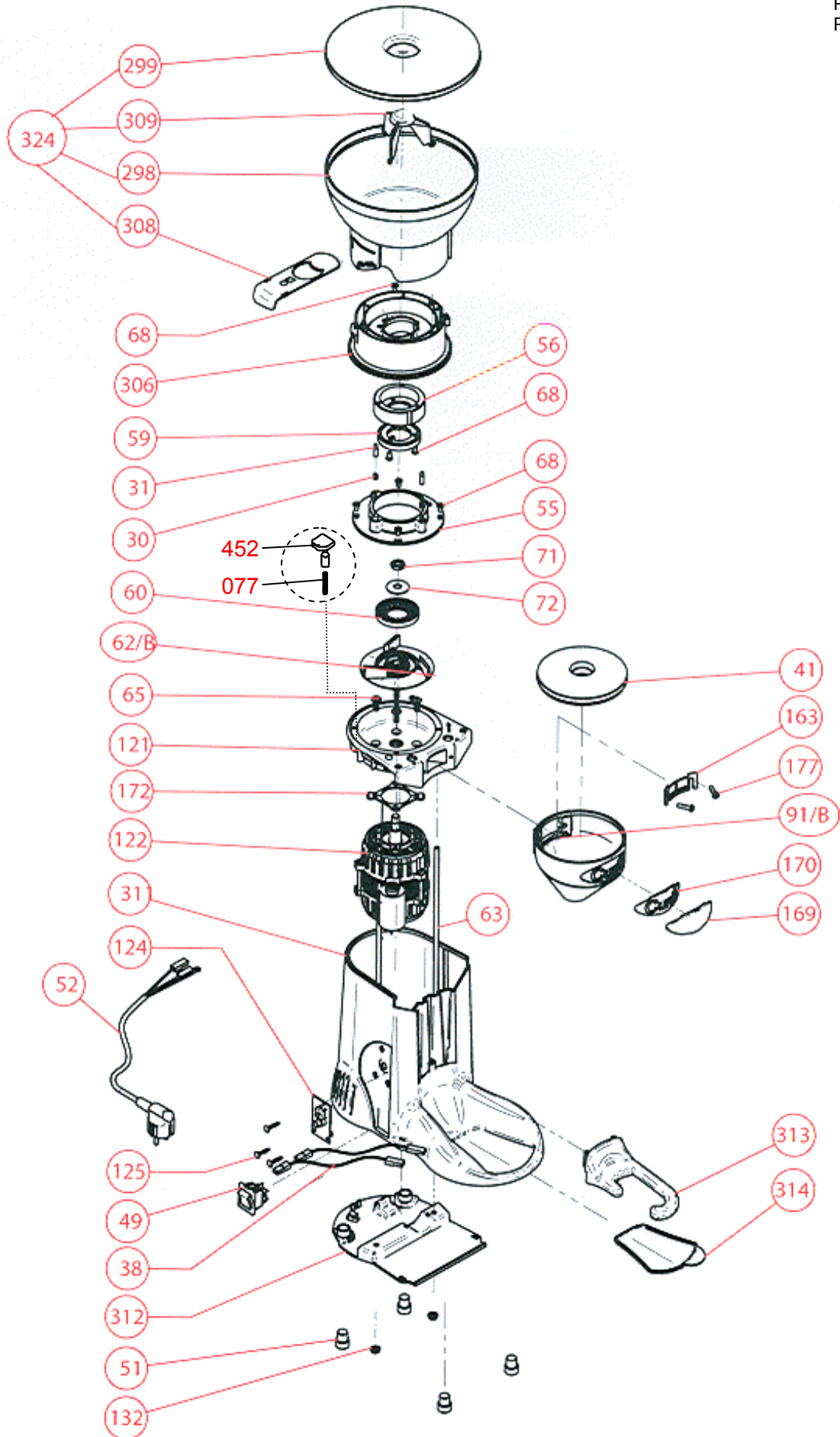
QUALITY ESPRESSO
Capture the Essence

PAG.

1	MOLINO	C-DECAF	GRINDER	C-DECAF.
2	“	C-DECAF. DOSIFICADOR	“	C-DECAF. DISPENSER
3	“	CT – 1	“	CT – 1
4	“	CT – 1 INOX.	“	CT – 1 STAINLESS
5	“	CT – 2	“	CT – 1
6	“	CT – 2 INOX.	“	CT – 2 STAINLESS
7	“	UGANDA NOBEL	“	UGANDA NOBEL
8	“	SILENCIOSO	“	SILENCER
9	“	MOVIE BIMOTOR	“	MOVIE BIMOTOR
10	“	ANON. GRANEL HAWAI	“	ANON. GRANEL HAWAI
11	“	NEW – FUTUR SM	“	NEW – FUTUR SM
12	“	ANON. GRANEL NEGRO	“	ANON. GRANEL BLACK
13		DOSIFICADOR CAFÉ DE PIÉ		DISPENSER COFFEE STANDING UP
14	MOLINO	JAMAICA INOX.	GRINDER	JAMAICA STAINLESS
15	“	KENIA	“	KENIA
16	“	LUXO	“	LUXO
17	“	LUXOMATIC	“	LUXOMATIC
18	“	TRANQUILO-TRON	“	TRANQUILO-TRON

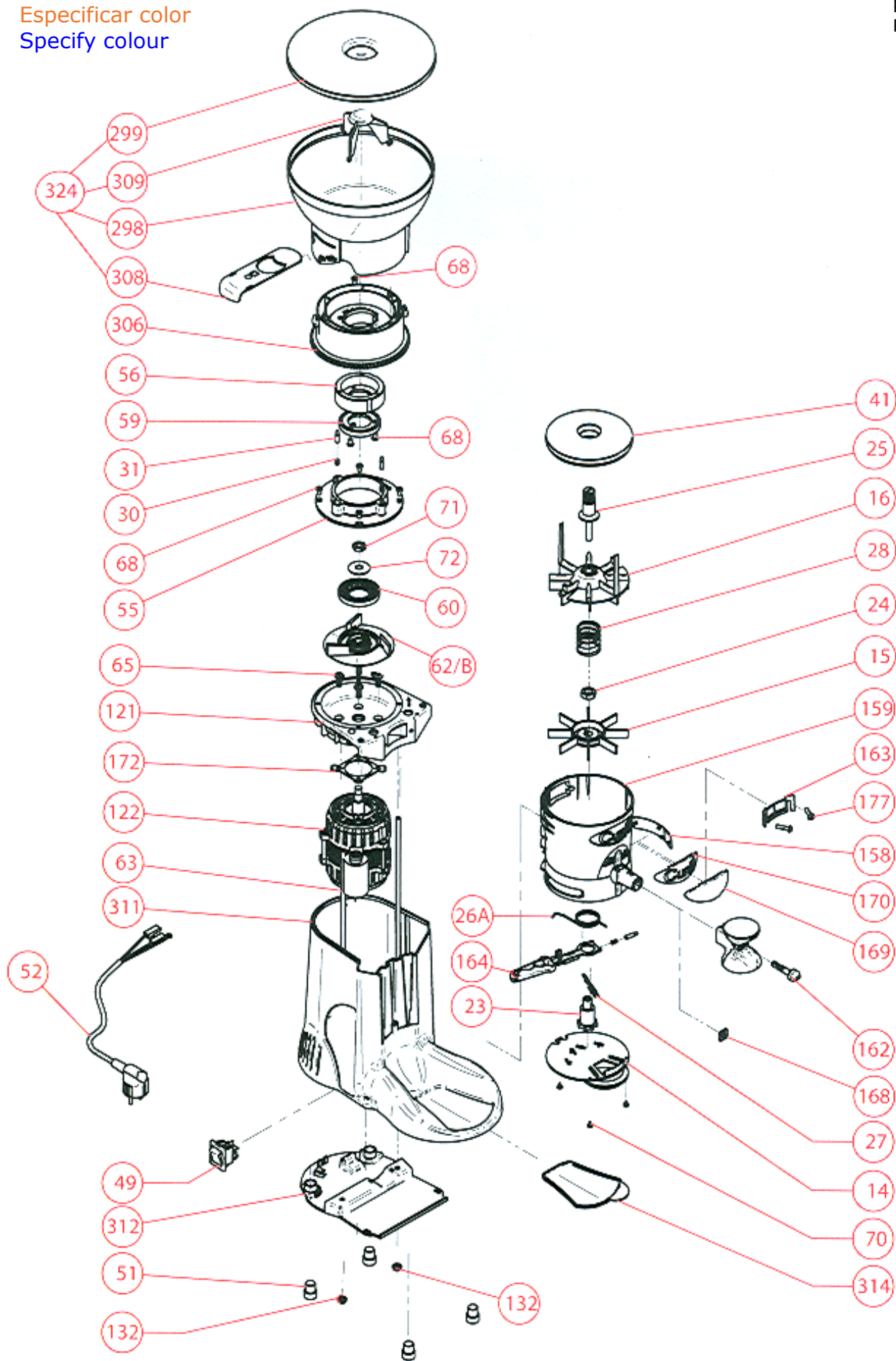
REFERENCIAS / REFERENCES

PAG. 19	POS. 001 AL 40	POS. 001 TO 40
PAG. 20	POS. 041 AL 068A	POS. 041 TO 068A
PAG. 21	POS. 069 AL 112	POS. 069 TO 112
PAG. 22	POS. 113 AL 152	POS. 113 TO 152
PAG. 23	POS. 153 AL 222	POS. 153 TO 222
PAG. 24	POS. 223 AL 296	POS. 223 TO 296
PAG. 25	POS. 297 AL 536	POS. 297 TO 536

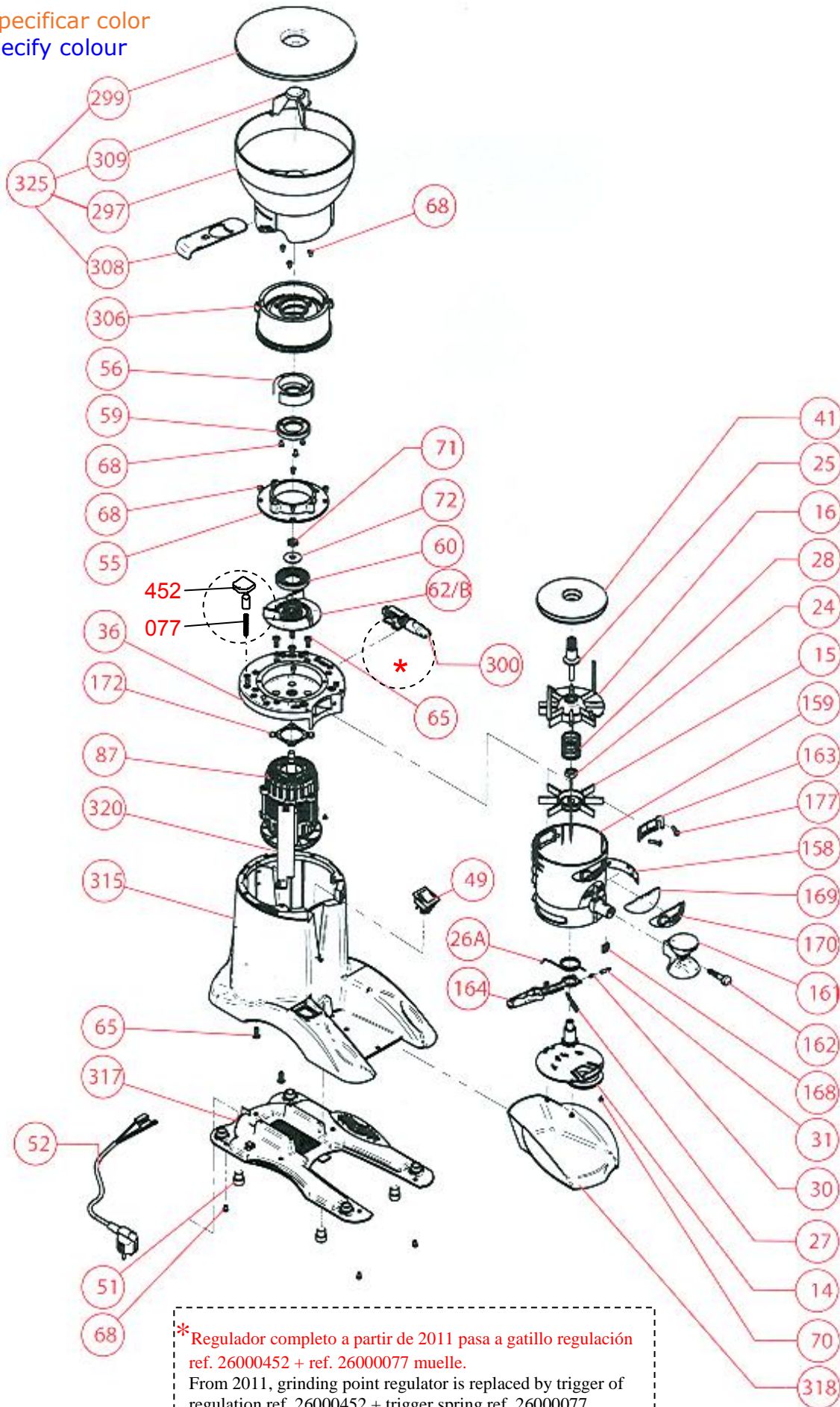


Especificar color
 Specify colour

PQH002G
 PQH002N



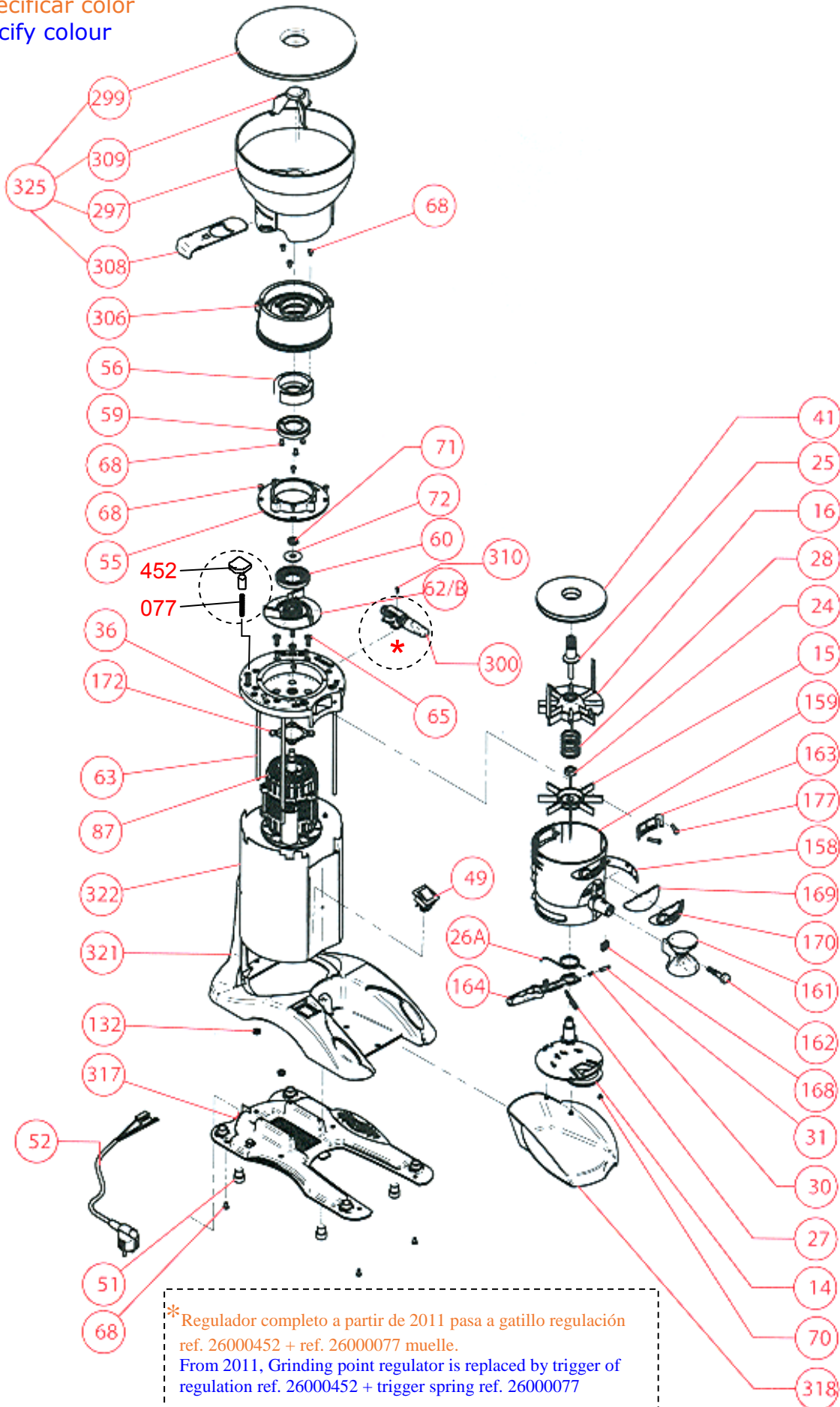
Especificar color
 Specify colour



*Regulador completo a partir de 2011 pasa a gatillo regulación ref. 26000452 + ref. 26000077 muelle.
 From 2011, grinding point regulator is replaced by trigger of regulation ref. 26000452 + trigger spring ref. 26000077

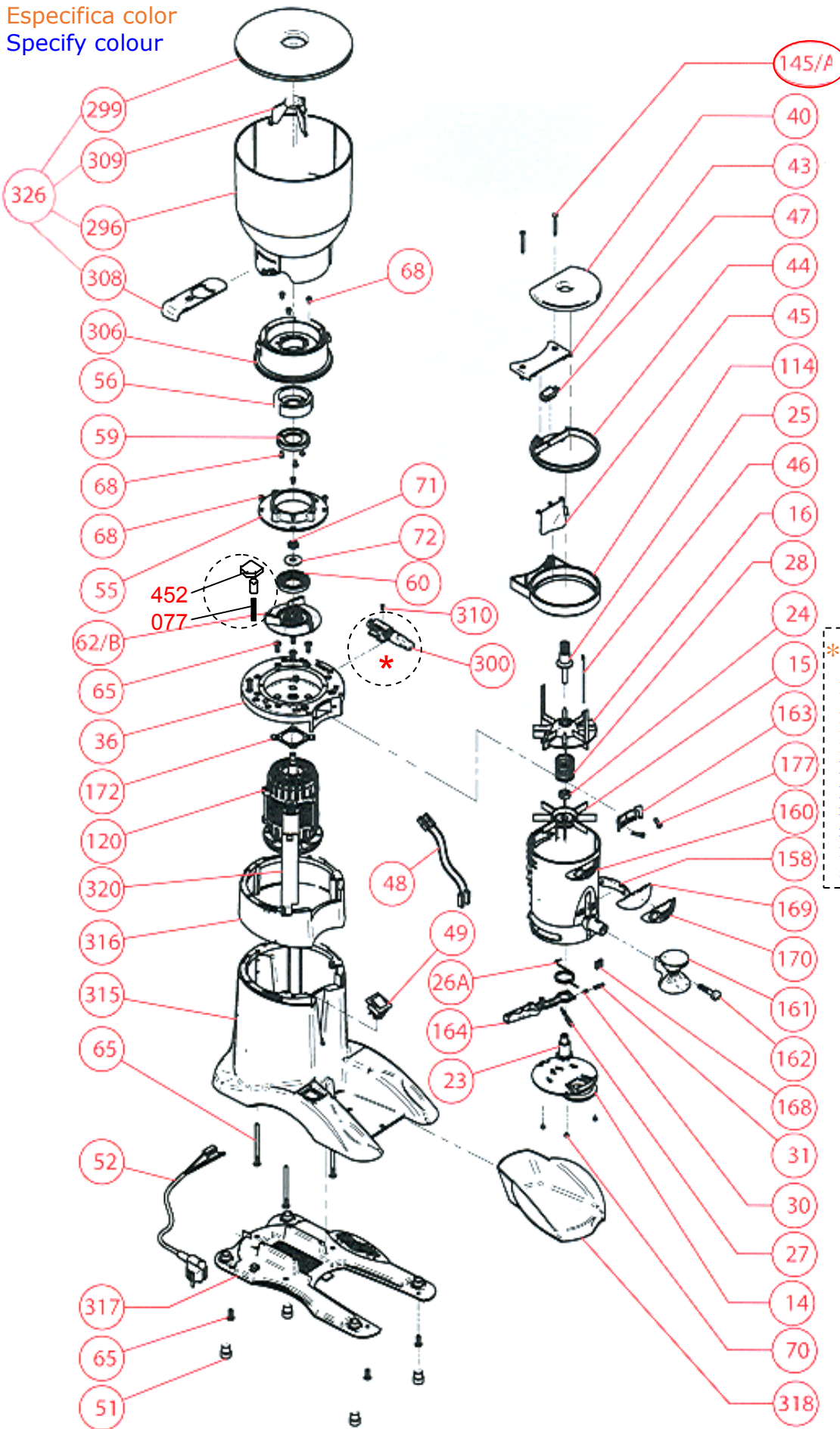
Especificar color
 Specify colour

PQH006





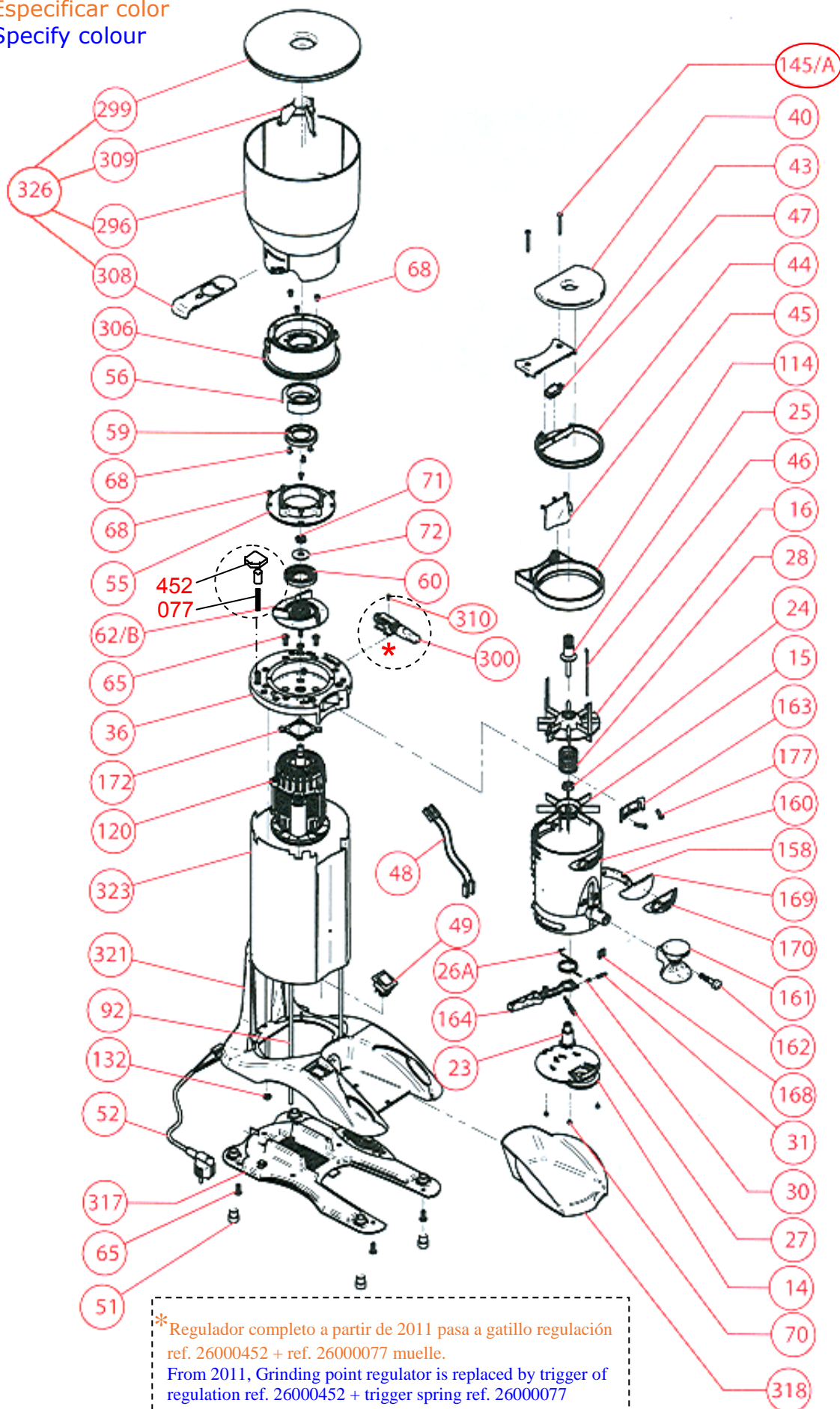
Especifica color
Specify colour



*Regulador completo a partir de 2011 pasa a gatillo regulación ref. 26000452 + ref. 26000077 muelle
From 2011, Grinding point regulator is replaced by trigger of regulation ref. 26000452 + trigger spring ref. 26000077

Especificar color
 Specify colour

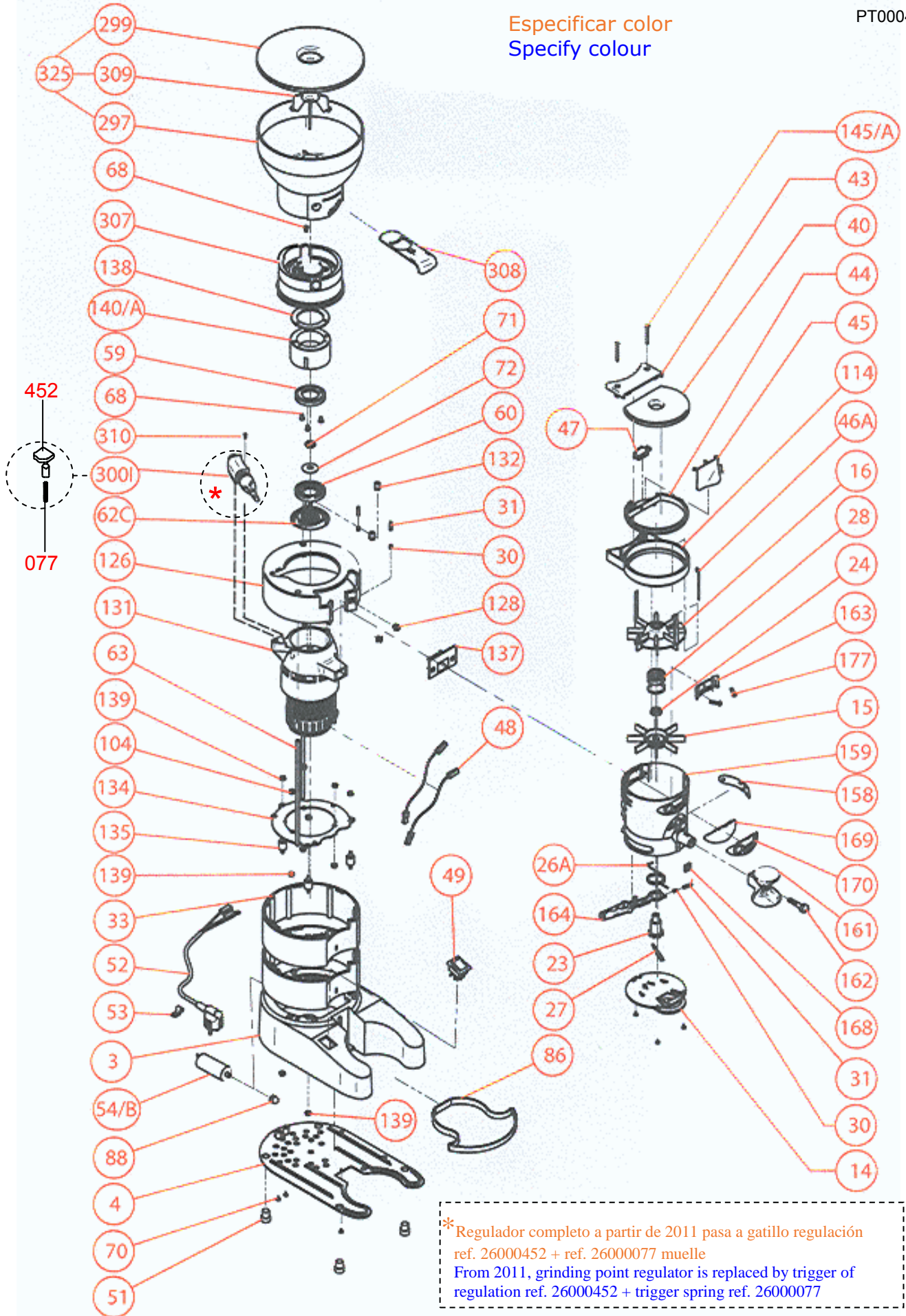
PQH007





PT0004

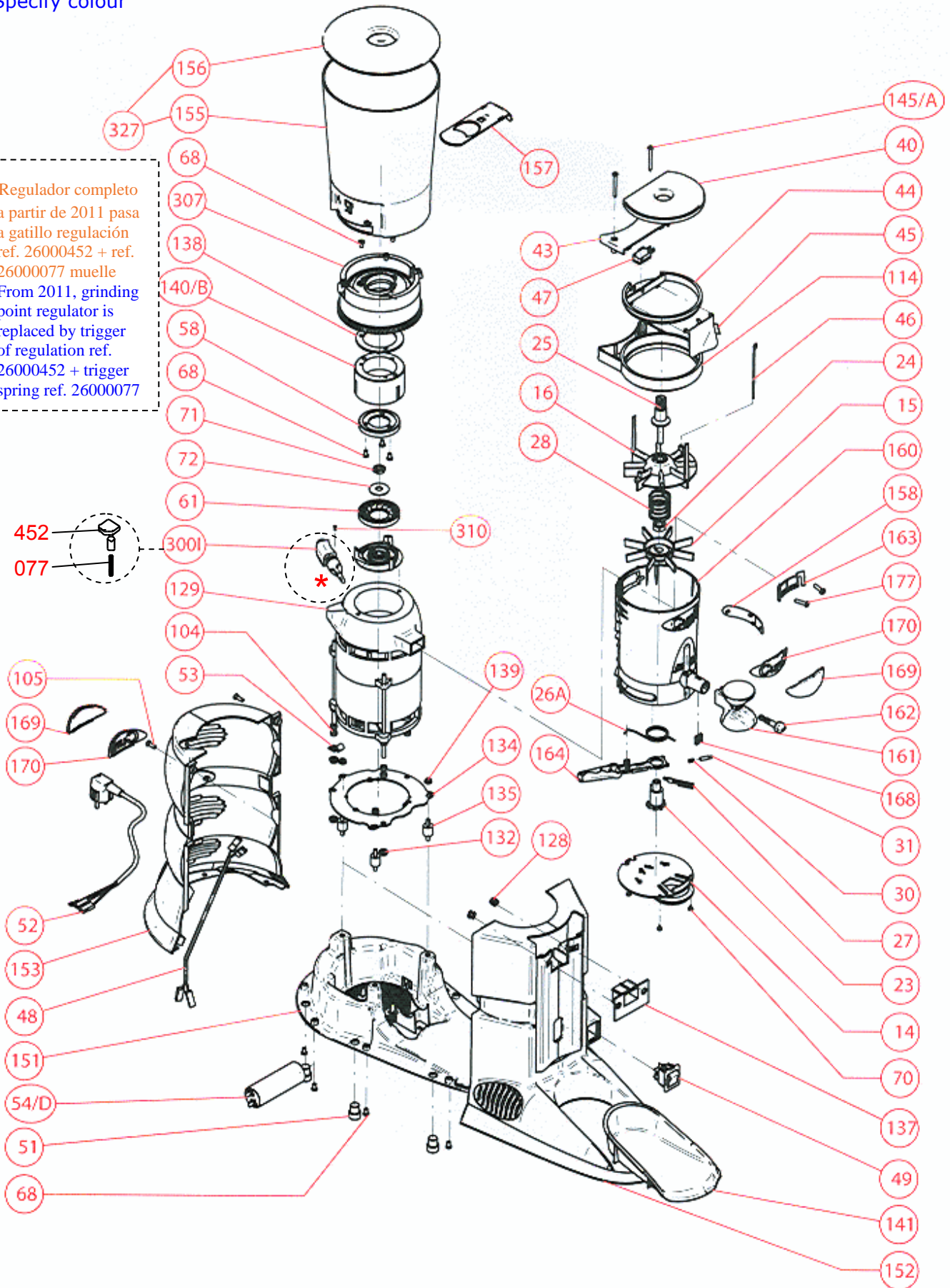
Especificar color
Specify colour



Especificar color
 Specify colour

PQH005G
 PQH005N

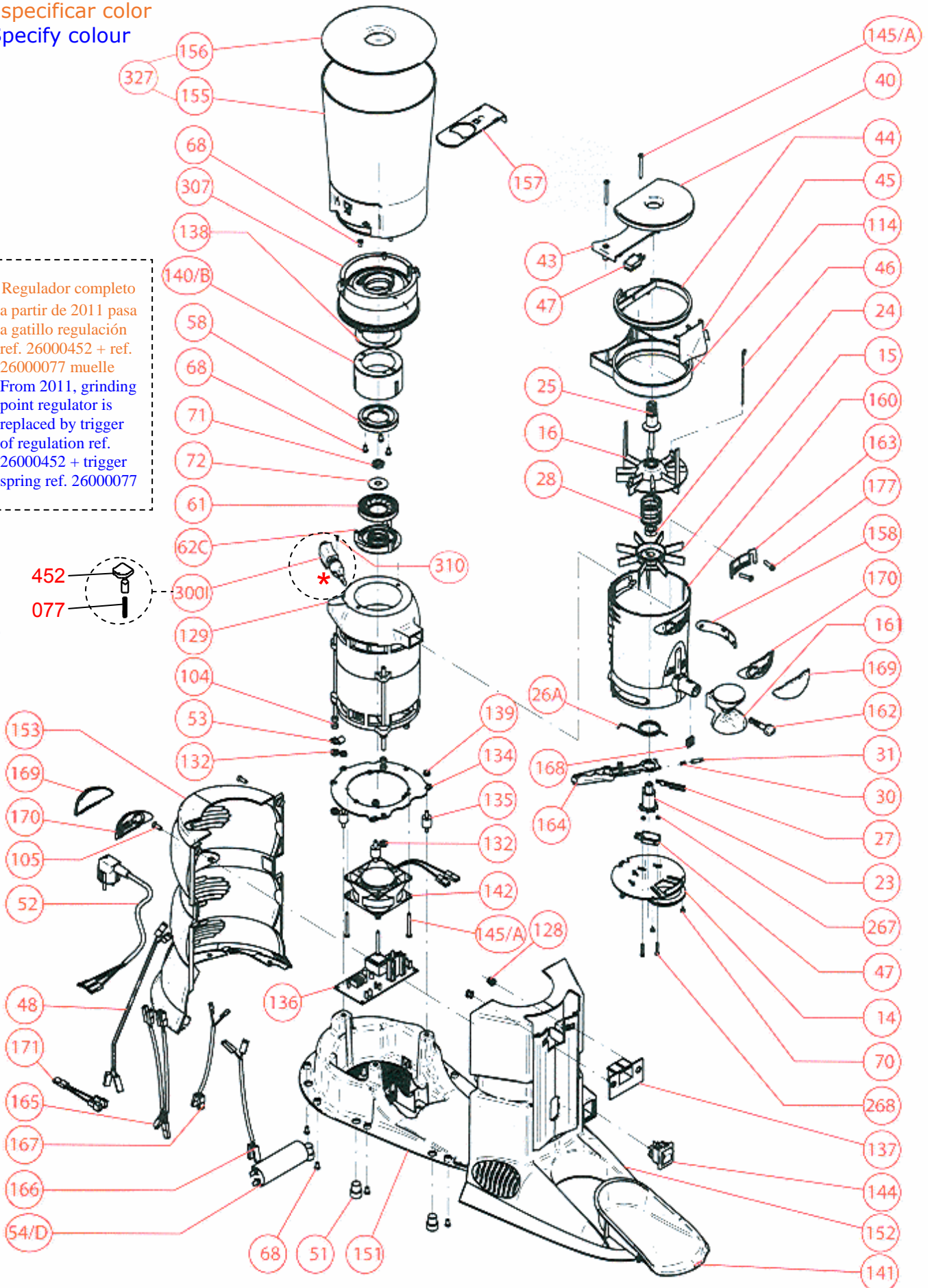
*Regulador completo a partir de 2011 pasa a gatillo regulación ref. 26000452 + ref. 26000077 muelle
 From 2011, grinding point regulator is replaced by trigger of regulation ref. 26000452 + trigger spring ref. 26000077





Especificar color
Specify colour

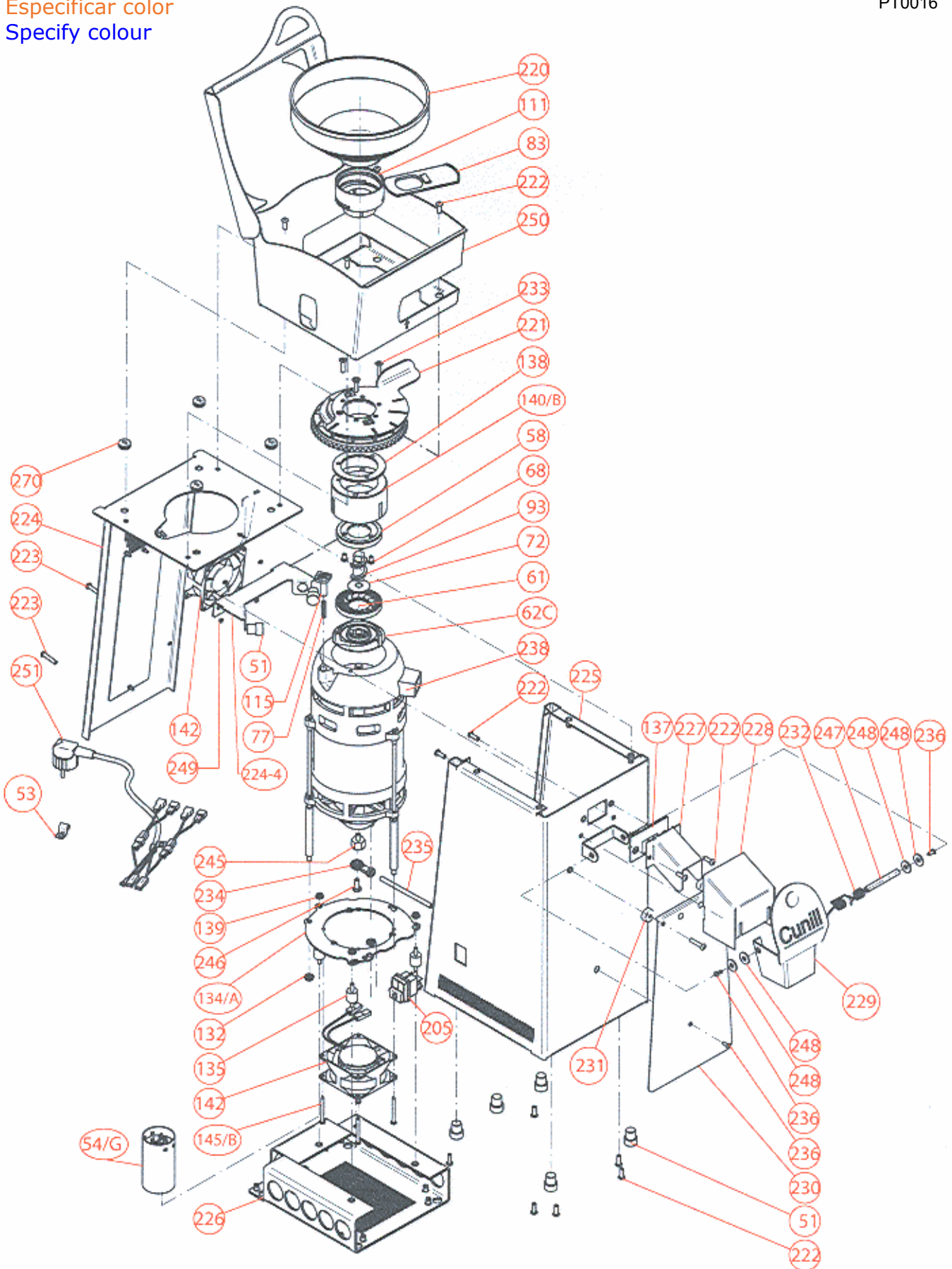
*Regulador completo
a partir de 2011 pasa
a gatillo regulación
ref. 26000452 + ref.
26000077 muelle
From 2011, grinding
point regulator is
replaced by trigger
of regulation ref.
26000452 + trigger
spring ref. 26000077



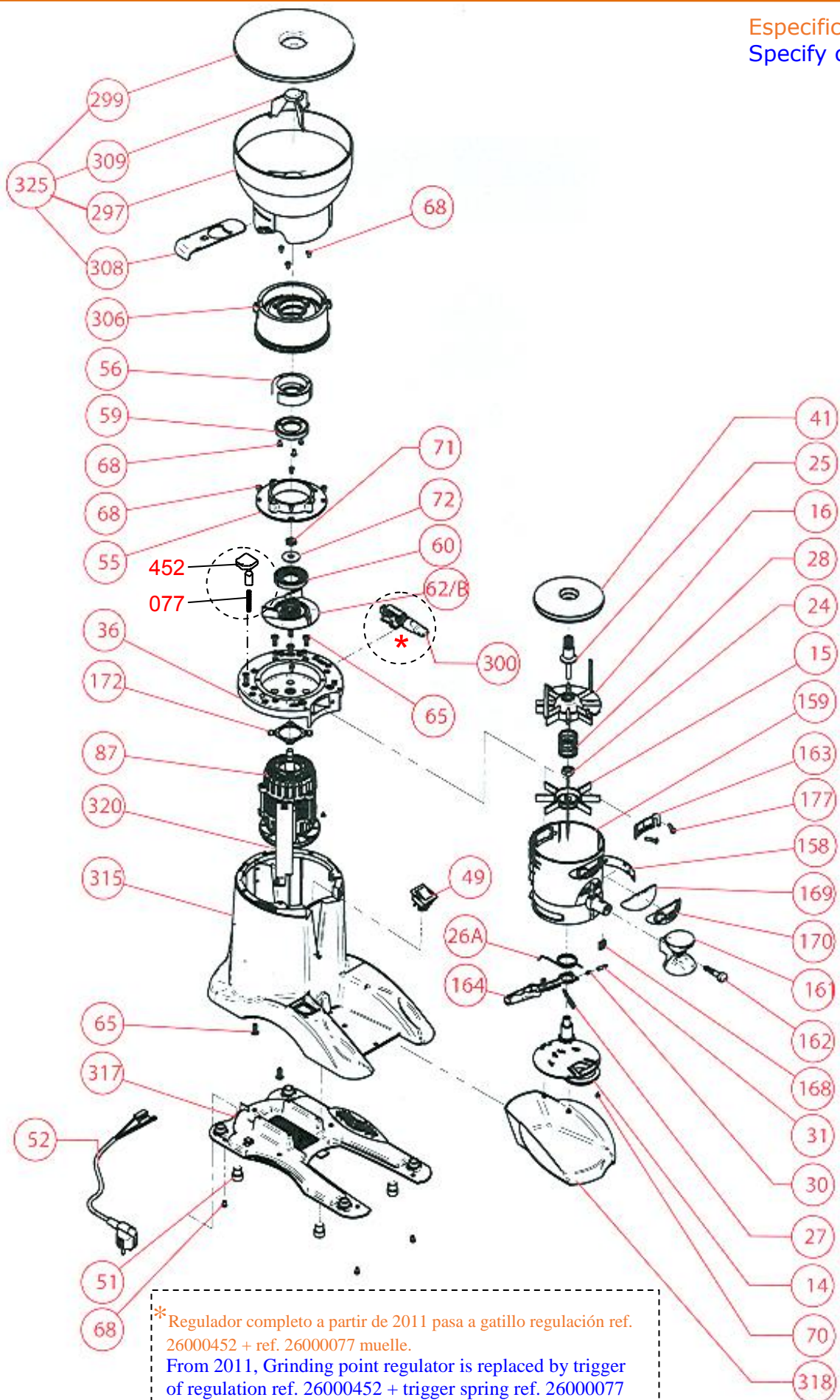


Especificar color
Specify colour

PT0016



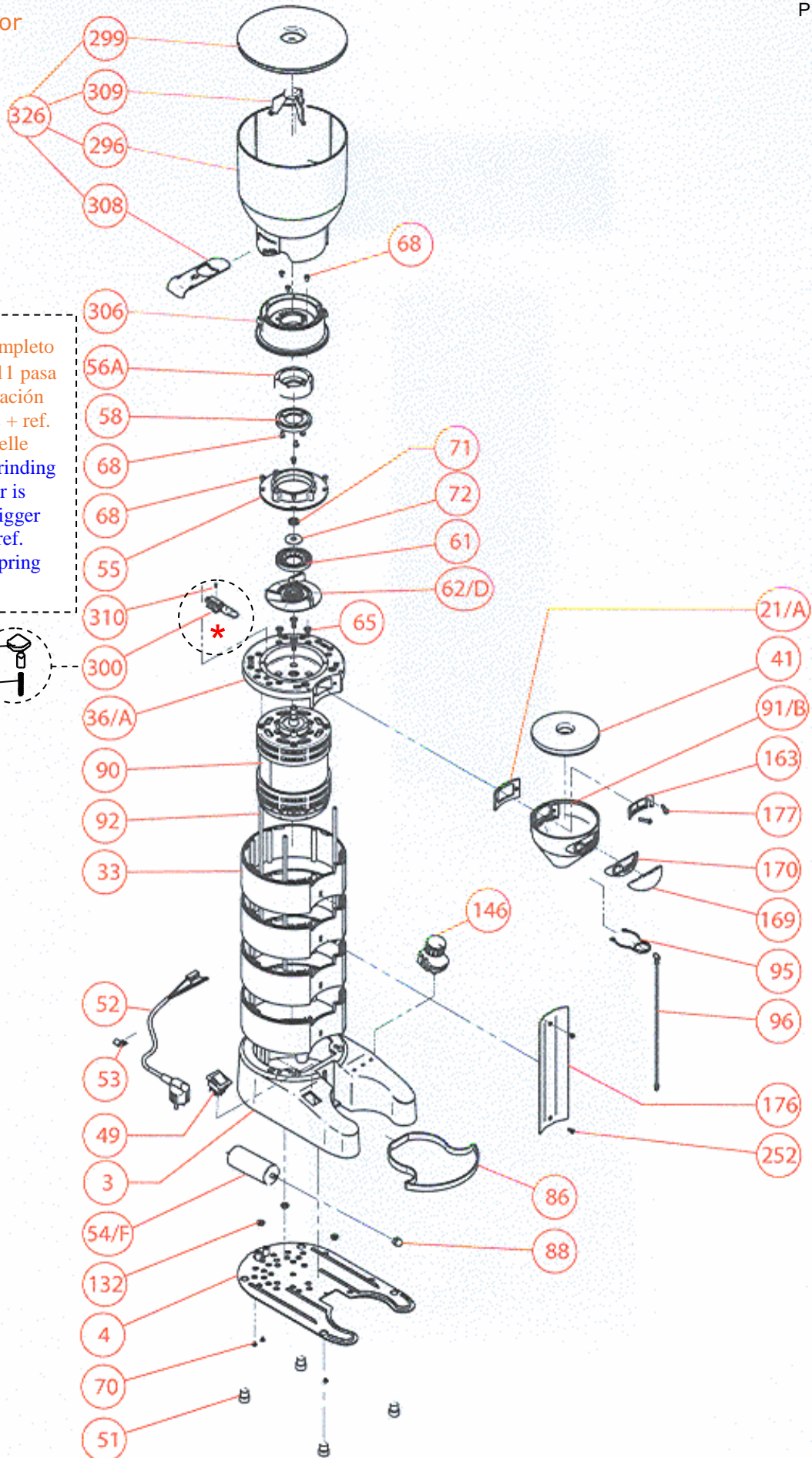
Especificar color
 Specify colour



Especificar color
 Specify colour

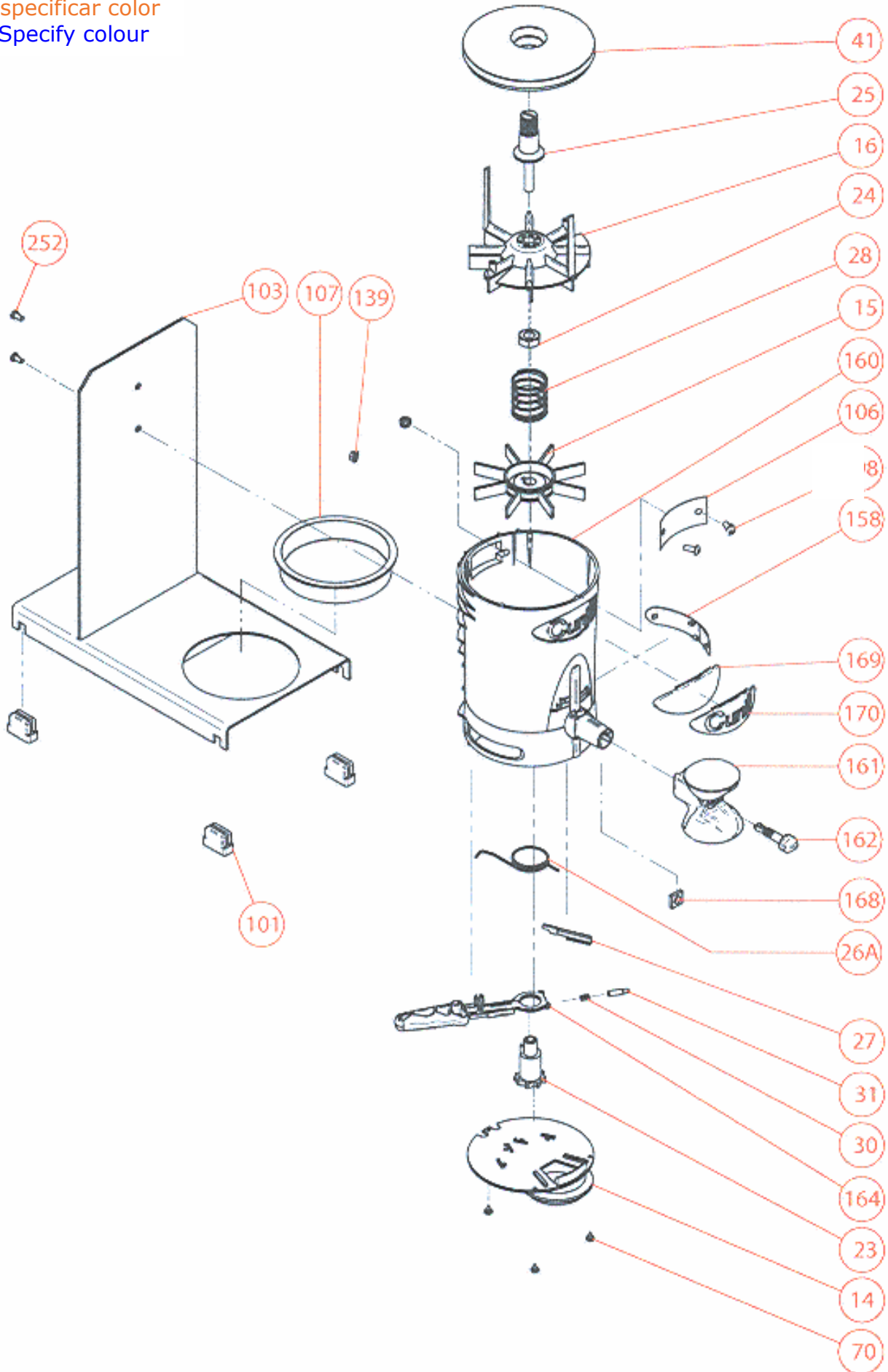
*Regulador completo a partir de 2011 pasa a gatillo regulación ref. 26000452 + ref. 26000077 muelle
 From 2011, grinding point regulator is replaced by trigger of regulation ref. 26000452 + spring ref. 26000077

452
 077



Especificar color
 Specify colour

N971

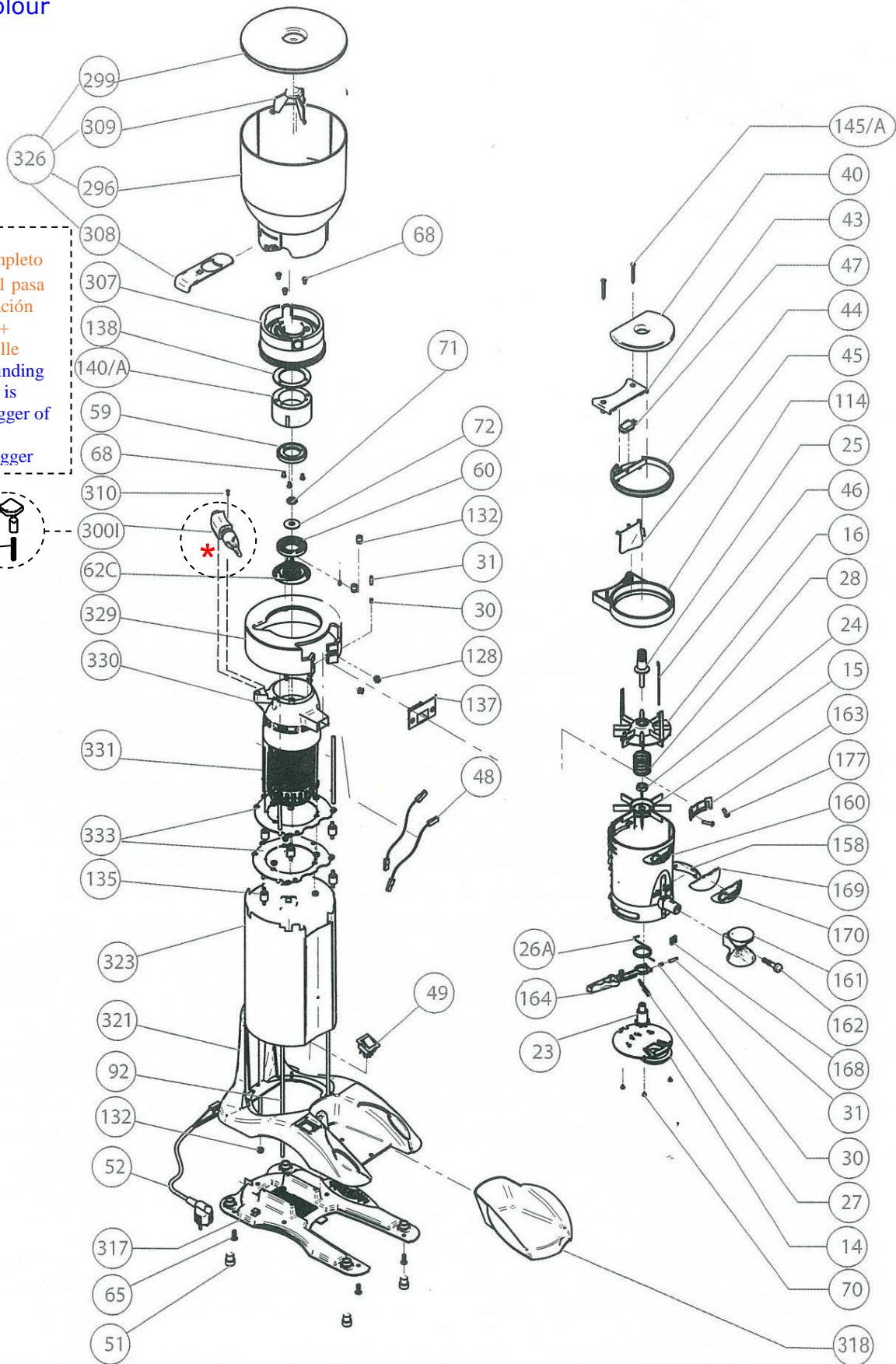


Especificar color
 Specify colour

PQH010

*Regulador completo a partir de 2011 pasa a gatillo regulación ref. 26000452 + 26000077 muelle
 From 2011, grinding point regulator is replaced by trigger of regulation ref. 26000452 + trigger

452
 077





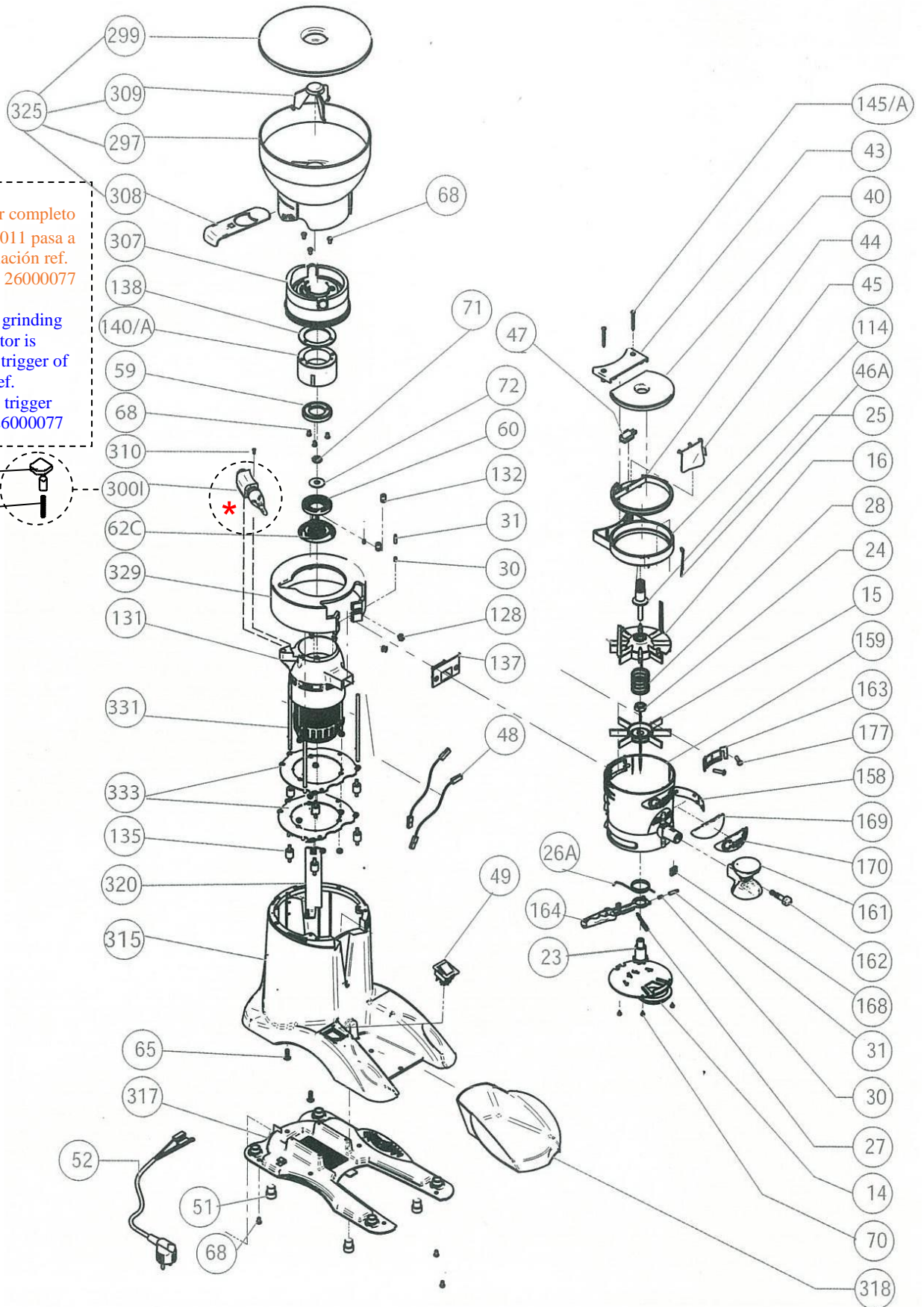
Especificar color
Specify colour

PQH011G

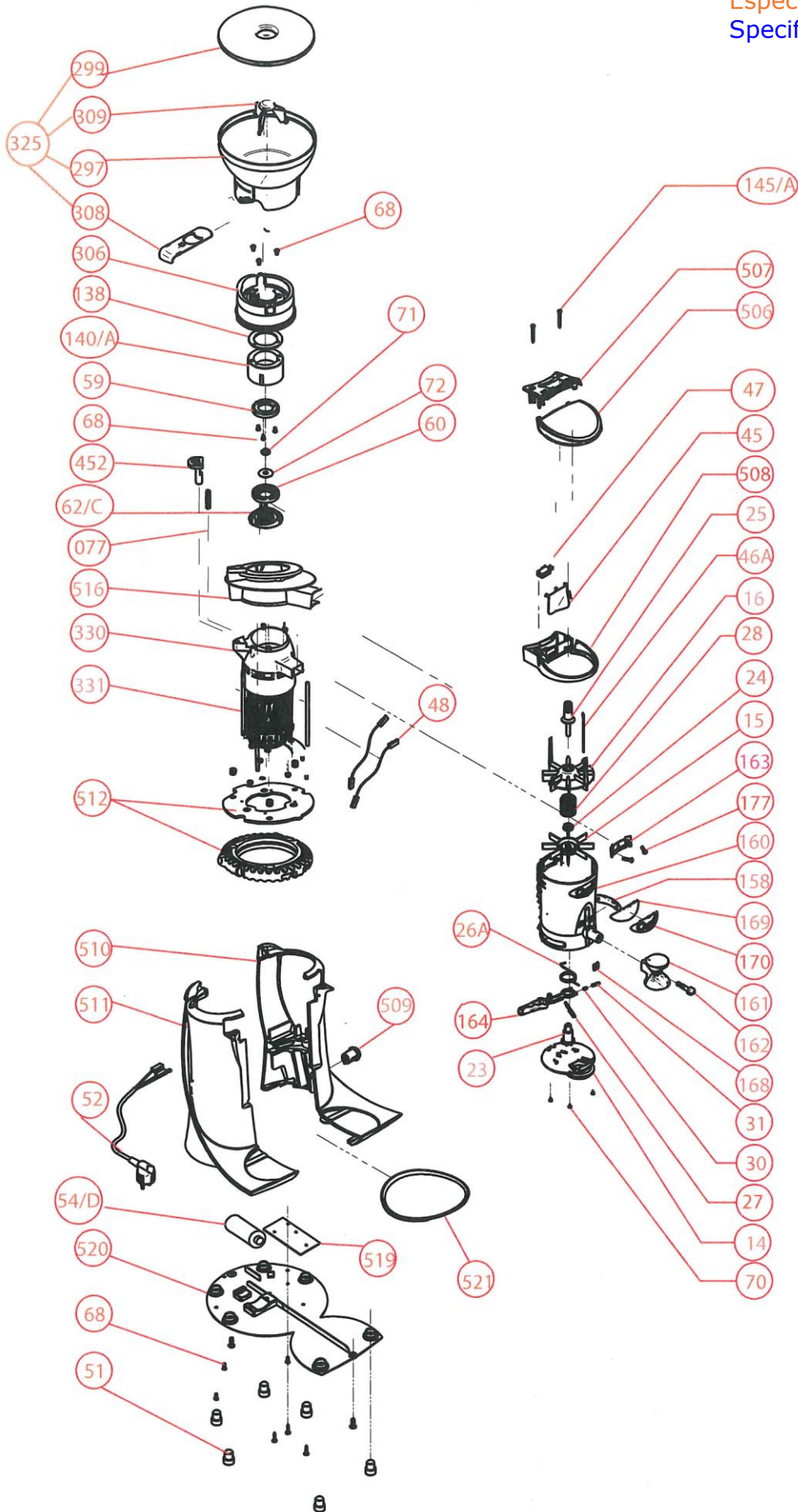
*Regulador completo
a partir de 2011 pasa a
gatillo regulación ref.
26000452 + 26000077
muelle

From 2011, grinding
point regulator is
replaced by trigger of
regulation ref.
26000452 + trigger
spring ref. 26000077

452
077

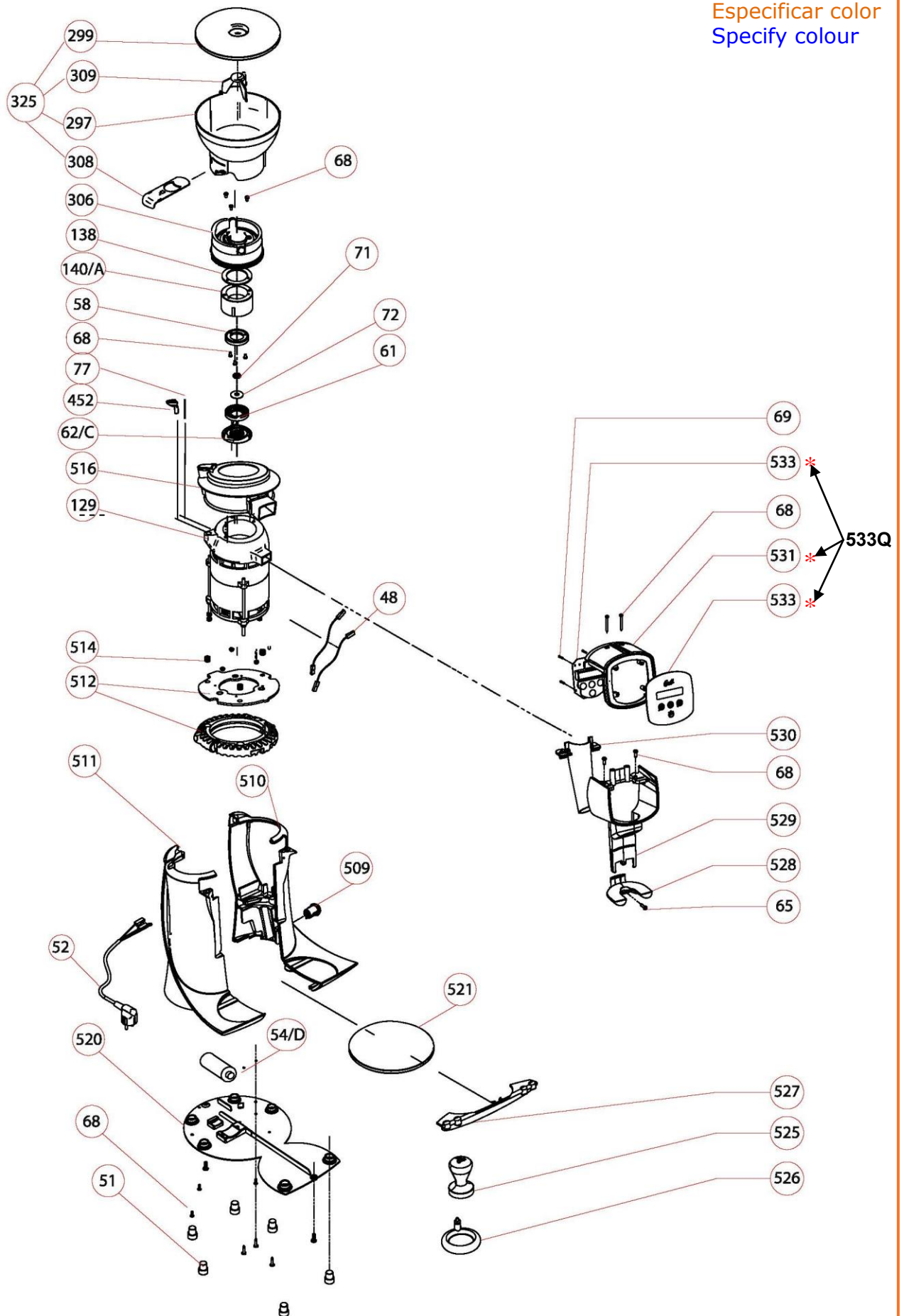


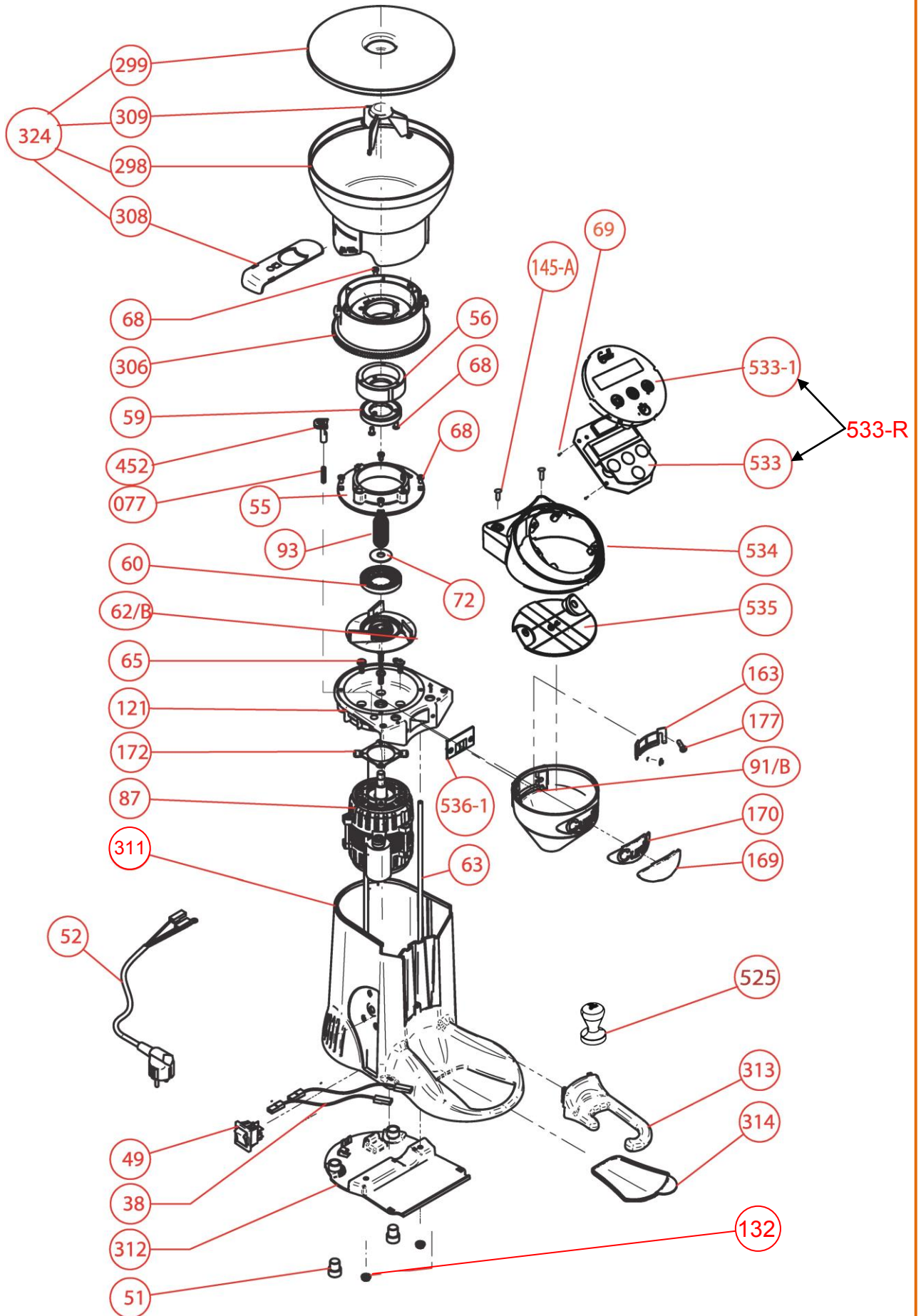
Especificar color
 Specify colour





Especificar color
Specify colour





POS.	REF.	DENOMINACION	DESCRIPTION
001	26000001	TOLVA CAFÉ 1Kg.	COFFEE HOOPER 1 KG.
002	26000002	TOLVA CAFÉ 2Kg.	COFFEE HOOPER 2 KG.
3	26000003	BASE CUERPO REDONDO	CIRCULAR BODY BASE
003A	26000003A	BASE CUERPO REDONDO TOP LINE	CIRCULAR BODY BASE TOP LINE
4	26000004	TAPA BASE CUERPO REDONDO	CIRCULAR BODY BASE COVER
006	26000006	TAPA BASE CUERPO CUADRADO	RECTANGULAR BODY BASE COVER
007	26000007	CRISTAL DOSIFICADOR 600GR.S/MARCA	GLASS DISPENSER BARREL 600 GR WITHOUT MARK
007A	26000007A	CRISTAL DOSIFICADOR 600GR.C/MARCA	GLASS DISPENSER BARREL 600 GR WITH MARK
008	26000008	CRISTAL DOSIFICADOR 300GR.	GLASS DISPENSER BARREL 300 GRAMS
009	26000009	ARO DOSIFICADOR S/MARCA	DISPENSER RING WITHOUT MARK
009A	26000009A	ARO DOSIFICADOR C/MARCA	DISPENSER RING WITH MARK
009B	26000009B	ARO DOSIFICADOR S/MARCA TOP LINE	DISPENSER RING WITHOUT MARK TOP LINE
010	26000010	DOSIFICADOR CAFÉ	COFFEE DISPENSER
010A	26000010A	DOSIFICADOR CAFÉ TOP LINE	COFFEE DISPENSER TOP LINE
011	26000011	TORNILLO 1/4 X 15 C/EXAG.	SCREW 1/4 X 15 HEXAGONAL HEAD
012	26000012	CHAPA RECTANGULAR	RECTANGULAR PLATE
013	26000013	TORNILLO ALLEN M6X6	ALLEN SCREW M6 X 6
013A	26000013A	TORNILLO ROSCA CHAPA 4 X 8	SCREW FOR 4 X 8 COFFEE PRESS HOLDER
14	26000014	TAPA INFERIOR DEL DOSIFICADOR	DISPENSER BASE PLATE
15	26000015	ESTRELLA INFER. DEL DOSIFICADOR	DISPENSER LOWER STARPIECE
16	26000016	ESTRELLA SUP. DEL DOSIFICADOR	DISPENSER UPPER STARPIECE
017	26000017	ESTRELLA CENTR. DEL DOSIFICADOR	DISPENSER CENTRAL STARPIECE
018	26000018	CJTO. COMP.PRENSA CAFÉ CLASSIC	COMP. SET COFFEE PRESS (CLASSIC)
018A	26000018A	CJTO. COMP.PRENSA CAFÉ SILENCER	COMP. SET COFFEE PRESS (SILENCER)
019	26000019	TORNILLO ROSCA CHAPA 3,5 X 13	SCREW FOR 3,5 X 13 PLATE
020	26000020	CAZOLETA PRENSA CAFÉ (CLASSIC)	COFFEE PRESS BOWL (CLASSIC)
020A	26000020A	CAZOLETA PRENSA CAFÉ (SILENCER)	COFFEE PRESS BOWL (SILENCER)
021	26000021	CHAPA TRASERA SUJETA-DOSIF. 600G.	DISPENSER-HOLDER REAR PLATE 600 GRAMS
21A	26000021A	CHAPA TRASERA SUJETA EMBUDO	FUNNEL - HOLDER REAR PLATE
022	26000022	CHAPA TRASERA SUJETA-DOSIF. 300G.	DISPENSER-HOLDER REAR PLATE 300 GRAMS
23	26000023	EJE TRINQUETE COMPLETO (PALANCA IZQ.)	COMPLETE RATCHET SHAFT (LEFT HAND)
023A	26000023A	EJE TRINQUETE COMPLETO (PALANCA DER.)	COMPLETE RATCHET SHAFT (RIGHT HAND)
24	26000024	TUERCA M.12	NUT M.12
25	26000025	TUERCA REGULACIÓN DOSIFICADOR	DISPENSER ADJUSTMENT NUT
26A	26000026A	MUELLE DOSIFICADOR PALANCA IZQUIERDA	DISPENSER LEVER RETRACTION SPRING (LEFT TURN)
26B	26000026B	MUELLE DOSIFICADOR PALANCA DERECHA	DISPENSER LEVER RETRACTION SPRING (RIGHT TURN)
27	26000027	FLEJE DE DOSIFICADOR	DISPENSER HOOP
28	26000028	MUELLE DE ESTRELLA DEL DOSIF.	DISPENSER STARPIECE SPRING
029	26000029	CHAPA OBTURADORA EN INOX.	SHUTTER PLATE IN STAINLESS STEEL
30	26000030	MUELLE GATILLO PRENSA	LEVER PAWL SPRING
31	26000031	GATILLO MANETA	LEVER PAWL
032	26000032	MANETA DEL DOSIFICADOR	DISPENSER LEVER
33	26000033	MODULO CIRCULAR EN ABS	CIRCULAR MODULE IN ABS
033A	26000033A	MOD. CIRC. EN ABS CROMO TOP LINE	CIRCULAR MODULE IN ABS CROMO TOP LINE
034	26000034	MOD. RECT. EN ABS	RECTANGULAR MODULE I ABS
034A	26000034A	MOD. RECT. EN ABS CROMO TOP LINE	RECTANGULAR MODULE I ABS CROMO TOP LINE
035	26000035	SOBRE RECT. EN ALUMINIO PINTADO	RECTANGULAR COVER IN PAINTED ALUMINIUM
36	26000036	SOBRE CIRC. EN ALUMINIO PINTADO	CIRCULAR COVER IN PAINTED ALUMINIUM
36A	26000036A	SOBRE REDONDO ALUMINIO (MICHIGAN)	CIRCULAR COVER IN PAINTED ALUMINIUM (MICHIGAN)
037	26000037	TAPETA DE SOBRE CIRCULAR	CIRCULAR COVER LID
38	26000038	CABLES PLACA ELECTRÓNICA	CLEANNIG SAINTBRUSH
039	26000039	BANDEJA	TRAY
40	26000040	TAPA DE DOSIFICADOR	DISPENSER COVER



POS.	REF.	DENOMINACION	DESCRIPTION
41	26000041	TAPA DE DOSIFICADOR ESTÁNDAR	STANDARD DISPENSER COVER
042	26000042	PLATINA DE REGULACIÓN	ADJUSTMENT DISC
042A	2600042A	“ “	“ “
43	26000043	TAPA DE MICRO-INTERRUPTOR	MICROSWITCH COVER
44	26000044	ARO	RING
45	26000045	BANDERA. (PALANCA IZQ.)	FLAP (LEFT HAND)
045A	26000045A	BANDERA. (PALANCA DER..)	FLAP (RIGHT HAND)
045B	26000045B	BANDERA LARGA EN ALUMINIO IZQ.	LONG FLAP IN ALUMINIUM, LEFT TURN
46	26000046	PASADOR BANDERA (600 GR.)	FLAP PIN
46A	2600046A	PASADOR BANDERA (300 GR.)	FLAP PIN
47	26000047	MICRO INTERRUPTOR 445 W	MICROSWITCH 445 W
047A	26000047A	MICROINTERRUPTOR 900 W	MICROSWITCH 900 W
48	26000048	CABLES MICROINTERRUPTOR	MICROSWITCH CABLES
49	26000049	INTERRUPTOR CON LUZ	SWITCH WITHOUT PILOT LIGHT
049A	26000049A	INTERRUPTOR CON TESTIGO	SWITCH WITH PILOT LIGHT
49B	260000144/Y	INTERRUPTOR ESPECIAL EL CORTE INGLES	SWITCH C. I.
050	26000050	SOPORTE PARA EL PORTA-CASQUILLO	SUPPORT FOR COFFEE HOLDER OF COFFEE MAKER
51	26000051	PIE DE GOMA CIRCULAR	CIRCULAR RUBBER FOOT
52	26000052	CABLE OMOLOGADO CE	HOMOLOGATED CABLE CE
052A	26000052A	CABLE USA	CABLE USA
052B	26000052B	CABLE OMOLOGADO USA /GB/AUST.	HOMOLOGATED CABLE USA/GB/AUST.
53	26000053	BRIDA DE METAL	METAL CLIP
054	26000054	CAPACITOR 6µF (1CV - 880RPM) 220V. 50HZ.	CONDENSER 6µF (1HP-880RPM) 220V. 50HZ.
054A	26000054A	CAPACITOR 10µF (270W-1300RPM) 220V. 50HZ	CONDENSER 10µF (270W-1300RPM) 220V. 50HZ.
54B	26000054B	CAPACITOR 9µF (275W-1300RPM) 220V. 50HZ.	CONDENSER 9µF (275W-1300RPM) 220V. 50 HZ.
054C	26000054C	CAPACITOR 12µF (356W-1300RPM) 220V. 50HZ.	CONDENSER 12µF (356W-1300RPM) 220V. 50HZ.
54D	26000054D	CAPACITOR 14µF (497W-1300RPM) 220V. 50HZ.	CONDENSER 14µF (497W-1300RPM) 220V. 50HZ.
54F	26000054F	CAPACITOR 25µF (920W-1300RPM) 220V. 50HZ.	CONDENSER 25µF (920W-1300RPM) 220V. 50HZ.
054G	26000054G	CAPACT. 88/106µF (980W-1300RPM) 220V. 50HZ.	CONDENSER 88/106µF (980W-1300RPM) 220V. 50HZ.
55	26000055	CJT. COMP. PORTA-MUELAS Ø 59/65	COM. SET GRINDWHEEL HOUSING ASSEMBLY,
56	26000056	CJT. COMP. PORTA-MUELAS Ø 59/65	COM. SET GRINDWHEEL HOUSING ASSEMBLY,
56A	26000056A	PORTA FRESAS SUPERIOR Ø 65 (MICHIGAN)	COM. SET GRINDWHEEL HOUSING ASSEMBLY,
057	26000057	CJT. COMP. PORTA-MUELAS Ø 60/65	COM. SET GRINDWHEEL HOUSING ASSEMBLY,
58	26000058	JUEGO DE MUELAS PLANAS Ø 65	SET OF FLAT GRINDWHEEL
59	26000059	JUEGO DE MUELAS PLANAS Ø 59	SET OF FLAT GRINDWHEEL
60	26000060	JUEGO DE MUELAS PLANAS Ø 59	SET OF FLAT GRINDWHEEL
61	26000061	JUEGO DE MUELAS PLANAS Ø 65	SET OF FLAT GRINDWHEEL
062	26000062	PALA EXPULSADORA (CLASSIC)	EXPPELLER (CLASSIC)
062/A	26000062A	PALA EXPULSADORA (SILENCER)	EXPPELLER (SILENCER)
62/B	26000062B	PALA EXPULSADORA ALUMINIO	EXPPELLER ALUMINIUM
62C	2600062C	PALA EXPULSADORA ALUMINIO (UGANDA)	EXPPELLER ALUMINIUM (UGANDA)
62D	2600062D		
63	26000063	ESPARRAGO M6 X 255	M6 X 205 MM. THEREADEL ROD FOR TAURO
063A	26000063A	ESPARRAGO M6 X 205 CAFÉ TRANQ.	M6 X 205 MM. THEREADEL ROD FOR CAFÉ TRANQ.
063B	26000063B	ESPARRAGO M6 X 265	M6 X 265 MM. THEREADEL
063C	26000063C	ESPARRAGO M6 X 305	M6 X 305 MM. THEREADEL
063D	26000063D	ESPARRAGO M6 X 375	M6 X 375 MM. THEREADEL
064	26000064	ESPARRAGO M6 X 165	M6 X 165 MM. TEHREADEL
65	26000065	TORNILLO M6 X 16 C/CIRC.	SCREW M6 X 15 ROUND HEAD
066	26000066	TORNILLO M6 X 18 C/EXAG.	SCREW M6 X 18 HEXAGONAL HEAD
68	26000068	TORNILLO M5 X 8 C/CIRC.	SCREW M5 X 8 ROUND HEAD
068A	26000068A	TORNILLO M5 X 7 C/CIRC.	SCREW M5 X 7 ROUND HEAD

POS.	REF.	DENOMINACION	DESCRIPTION
069	26000069	TORNILLO ROSCA CHAPA 4,2 X 9,5	SCREW 4,2 X 9,5
70	26000070	TORNILLO ROSCA CHAPA 3,5 X 8	SCREW 3,5 X 8
71	26000071	TUERCA SUJETA MUELAS	LOWER GRINDWHEEL-HOLDER NUT
72	26000072	ARANDELA TEMPLADA	LOWER GRINDWHEEL-HOLDER TEMPERED WASHER
073	26000073	TORNILLO ALLEN M6X30	ALLEN SCREW M6 X30
074	26000074	ARANDELA M6	WASHER M6
077	26000077	MUELLE GATILLO DE REGULACIÓN	ADJUSTMENT PAWL SPRING
078	26000078	TUERCA M6	NUT M6
079	26000079	ARANDELA RECTANGULAR M5	RECTANGULAR WASHER M5
080	26000080	ARANDELA M6	WASHER M6
082	26000082	TAPA DE TOLVA	HOPPER COVER
86	26000086	BANDEJA	TRAY
87	26000087	MOTOR N°3 (1/3 CV.230V.50HZ 1300)	MOTOR NO.3 (1/3HP-1300RPM 230V. 50HZ.)
087A	26000087A	MOTOR N°3 (1/3 CV.110V.60HZ 1600)	MOTOR NO.3 (1/3HP-1600RPM 110V. 60HZ.)
087B	26000087B	MOTOR N°3 (1/3 CV.220V.60HZ 1600)	MOTOR NO.3 (1/3HP-1600RPM 220V. 60HZ.)
88	26000088	TUERCA M8	NUT M8
089	26000089	MOTOR N°2 (1/2 CV.230V.50HZ 1300)	MOTOR NO.2 (1/2HP 1300RPM 230V. 50HZ.)
089A	26000089A	MOTOR N°2 (1/2 CV.110V.60HZ 1600)	MOTOR NO.2 (1/2HP 1600RPM 110V. 60HZ.)
089B	26000089B	MOTOR N°2 (1/2 CV.220V.60HZ.1600)	MOTOR NO.2 (1/2HP 1600RPM 220V. 60HZ.)
90	26000090	MOTOR N°1 (1 CV.230V.50HZ.1300)	MOTOR NO.1 (1HP 1300RPM 230V. 50HZ) MICHIGAN
090A	26000090A	MOTOR N°1 (1 CV.230V.50HZ.1300)	MOTOR NO.1 (1HP 1300RPM 230V. 50HZ) MARFIL
090B	26000090B	MOTOR N°1 (1 CV.230V.50HZ.880RPM)	MOTOR NO.1 (1HP 880RPM 230V. 50HZ.)
090C	26000090C	MOTOR N°1 (1 CV.110V.60HZ.1600)	MOTOR NO.1 (1HP 1600RPM 110V. 60HZ.) MICHIGAN
090D	26000090D	MOTOR N°1 (1 CV.110V.60HZ.1600)	MOTOR NO.1 (1HP 1600RPM 110V. 60HZ.) MARFIL
090E	26000090E	MOTOR N°1 (1 CV.220V.60HZ.1600)	MOTOR NO.1 (1HP 1600RPM 220V. 60HZ.) MICHIGAN
090F	26000090F	MOTOR N°1 (1 CV.220V.60HZ.1600)	MOTOR NO.1 (1HP 1600RPM 220V. 60HZ.) MARFIL
091	26000091	EMBUDO SUJETA BOLSAS	BAG-HOLDER FUNNEL
091A	26000091A	EMBUDO SUJETA BOLSAS TOP LINE	BAG-HOLDER FUNNEL TOP LINE
91B	26000091B	EMBUDO 2006	FUNNEL
92	26000092	ESPARRAGO M6 X 305	THREADED ROD M6 X 305MM.
093	26000093	TUERCA ESPECIAL	NUT
093A	26000093A	" "	"
094	26000094	TUERCA M5	NUT M5
95	26000095	ANILLO SUJETA BOLSAS	BAG-HOLDER CLIP
96	26000096	CADENA SUJETA BOLSAS	BAG-HOLDER CHAIN
097	26000097	CUERPO EN METAL PINTADO	PAINTED METAL BODY
097A	26000097A	CUERPO EN INOX.	STAINLESS STEEL BODY
098	26000098	BASE EN ALUMINIO PINTADO (TAURO)	PAINTED ALUMINIUM BASE
099	26000099	BANDEJA RECTANGULAR	RECTANGULAR TRAY
100	26000100	TOLVA 1KG COMPLETA	COMPLETE 1 KG HOPPER
101	26000101	PIÉ DE GOMA RECTANGULAR	RECTANGULAR RUBBER FOOT
102	26000102	TORNILLO ALLEN M6X14	ALLEN SCREW M6 X14
103	26000103	SOPORTE PARA SPECIAL BAR BASE	SUPPORT FOR SPECIAL BAR BASE
103A	26000103A	SOPORTE PARA SPECIAL BAR PLUS	SUPPORT FOR SPECIAL BAR PLUS
103B	26000103B	SOPORTE PARA SPECIAL BAR AERIAL	SUPPORT FOR SPECIAL BAR AERIAL
104	26000104	CASQUILLO DOSIFICADOR	DISPENSER COLLARS
105	26000105	TORNILLO ALLEN M5 X 14	ALLEN SCREW M5 X 14
106	26000106	METAL INOX. BOCA DOSIFICADOR	STAINLESS STEEL DISPENSER OUTLET
107	26000107	BANDEJA CIRCULAR	CIRCULAR TRAY
108	26000108	BASE EN ALUMINIO PINTADO(C.RICA)	PAINTED ALUMINIUM BASE FOR COSTA RICA
109	26000109	TAPA INFERIOR BASE (C. RICA)	BASE PLATE FOR COSTA RICA
110	26000110	BASE EN ALUMINIO PINTADO (MEXICO)	PAINTED ALUMINIUM BASE FOR MEXICO
111	26000111	CJT. COMP. CASQUILLO TOLVA	COMPLETE SET HOPPER COLLAR
112	26000112	TAPA INFERIOR BASE (TAURO)	BASE PLATE FOR TAURO

POS.	REF.	DENOMINACION	DESCRIPTION
113	26000113	TAPA INFERIOR BASE (MEXICO)	BASE PLETE FOR MEXICO
114	26000114	ARO SUPLEMENTO AUTOMATICO	AUTOMATIC SUPPLEMENT RING
115	26000115	GATILLO REGULACION DE LA MUELAS	GRINDWHEELS ADJUSTMENT PAWL
116	26000116	PROTECTOR INTERIOR TOLVA	HOPPER INNER PROTECTOR
117	26000117	TORNILLO DE SUJECCION	COLLAR HOPPER FIXING SCREW 3,5 X 6,5
118	26000118	TOLVA 1/2 KG.	HOPPER 1/2 KG.
119	26000119	CUERPO METALICO PINTADO	PAINTED METAL BODY
120	26000120	MOTOR N°5 (1/2 CV. 230V.50HZ.1300)	MOTOR NO.5 (1/2 HP 1300 RPM 230V. 50HZ.)
120A	26000120A	MOTOR N°5 (1/2 CV. 110V.60HZ.1600)	MOTOR NO.5 (1/2 HP 1600 RPM 110V. 60HZ.)
120B	26000120B	MOTOR N°5 (1/2 CV. 220V.60HZ.1600)	MOTOR NO.5 (1/2 HP 1600 RPM 220V. 60HZ.)
121	26000121	SOBRE EN ALUMNIO PINTADO	PAINTED ALUMINIUM COVER
122	26000122	MOTOR N°4 (1/3 CV. 230V.50HZ.1300)	MOTOR NO.4 (1/3 HP 1300 RPM 230V. 50HZ.)
122A	26000122A	MOTOR N°4 (1/3 CV. 110V.60HZ.1600)	MOTOR NO.4 (1/3 HP 1600 RPM 110V. 60HZ.)
122B	26000122B	MOTOR N°4 (1/3 CV. 220V.60HZ.1600)	MOTOR NO.4 (1/3 HP 1600 RPM 220V. 60HZ.)
123	26000123	CUERPO METALICO PINTADO	PAINTED METAL BODY
124	26000124	PLACA ELECTRONICA (0-5 SEGUND.)	ELECTRONIC CONTROL PANEL (0-5 SECONDS)
125	26000125	REMACHES PLASTICOS PLACA ELEC.	PLASTIC RIVETS ELECTRONIC CONTROL PANEL
126	26000126	SOBRE CIRCULAR ALUMINIO	CIRCULAR COVER
127	26000127	SOBRE RECTANGULAR	RECTANGULAR COVER
128	26000128	TUERCA M5 ESPECIAL	SPECIAL NUT M5
129	26000129	MOTOR N°6/70 (230V.50HZ.1300RPM)	MOTOR NO. 6/70 (1300 RPM 230V. 50HZ.)
129A	26000129A	MOTOR N°6/70 (110V.60HZ.1600RPM)	MOTOR NO. 6/70 (1600 RPM 110V. 60HZ.)
129B	26000129B	MOTOR N°6/70 (220V.60HZ.1600RPM)	MOTOR NO. 6/70 (1600 RPM 220V. 60HZ.)
131	26000131	MOTOR N°6/35 (230V.50HZ.1300RPM)	MOTOR NO. 6/35 (1300 RPM 230V. 50HZ.)
131A	26000131A	MOTOR N°6/35 (110V.60HZ.1600RPM)	MOTOR NO. 6/35 (1600 RPM 110V. 60HZ.)
131B	26000131B	MOTOR N°6/35 (220V.60HZ.1600RPM)	MOTOR NO. 6/35 (1600 RPM 220V. 60HZ.)
132	26000132	TUERCA ESPECIAL M6	SPECIAL NUT M6
133	26000133	CASQUILLO 32 MM.	COLLAR 32 MM.
133A	26000133A	CASQUILLO 104 MM.	COLLAR 104 MM.
134	26000134	PLACA DE METAL SOPORTE MOTOR	METAL MOTOR SUPPORT PLATE
134A	26000134A	CHAPA SOPORTE MOTOR	MOTOR SUPPORT
135	26000135	SILENTBLOCK	SILENTBLOCK
136	26000136	PLACA ELECTRONICA (SILENCER)	ELECTRONIC CONTROL PANEL FOR SILENCER
137	26000137	GOMA BOCA SALIDA DE CAFÉ	COFFEE OUTLET RUBBER
138	26000138	GOMA PLATINA DE REGULACIÓN+	ADJUSTMENT DISC RUBBER
139	26000139	TUERCA M5 PARA SILENTBLOCK	NUT M5
140	26000140	PORTA MUELAS DE 80MM.	GRINDWHEELS HOUSING 80MM.
140A	26000140A	" " " Ø 59MM	" " " Ø 59MM
140B	26000140B	" " " Ø65 MM.	" " " Ø 65MM
140C	26000140C	" " " 80 MM	" " " 80 MM
141	26000141	BANDEJA MOVIE	TRAY (MOVIE)
142	26000142	MOTO-VENTILADOR	MOTOR-FAN
143	26000143	MOTOR N° 6/85 (230V.50HZ.1300RPM)	MOTOR NO. 6/85 (1300RPM 230V. 50HZ.)
143A	26000143A	MOTOR N° 6/85 (110V.60HZ.1600RPM)	MOTOR NO. 6/85 (1600RPM 110V. 60HZ.)
143B	26000143B	MOTOR N° 6/85 /220V 60HZ.1600RPM)	MOTOR NO. 6/85 (1600RPM 220V. 60HZ.)
144	26000144	PULSADOR PARA BIMOTOR	PUSH-BUTTON FOR BIMOTOR
145	26000145	TORNILLO ROSCA CHAPA 4,2 X 32	SCREW FOR 4,2 X 32
145A	26000145A	TORNILLO ROSCA CHAPA 4,2 X 45	SCREW FOR 4,2 X 45
145B	26000145B	TORNILLO ROSCA CHAPA 3.9 X 45	SCREW FOR 3,9 X 45
146	26000146	TEMPORIZADOR 0-15 MINUTOS	TIMER 0-15 MINUTES
150	26000150	MOTOR N° 20 230V. 50HZ.	MOTOR NO.20 230V. 50HZ.
151	26000151	BASE INFERIOR	LOWER BASE
152	26000152	CARROCERIA DELANTERA	FRONT BODY



POS.	REF.	DENOMINACION	DESCRIPTION
153	26000153	CARROCERIA TRASERA	BACK BODY
154	26000154	PLATINA REGULACIÓN	ADJUSTMENT DISC
155	26000155	TOLVA 1,5 KG.	COFFEE HOPPER 1,5 KG.
156	26000156	TAPA TOLVA	HOPPER COVER
157	26000157	LENGÜETA CIERRE TOLVA	CLOSER HOPPER PLATE
158	26000158	TAPA LATERAL	LATERAL COVER
159	2600159	DOSIFICADOR 300 GR.	DISPENSER 300GR.
160	26000160	DOSIFICADOR 600GR.	DISPENSER 600GR.
161	26000161	PRESA CAFÉ GIRATORIO	COFFEE PRESS
162	26000162	EJE PRESA CAFÉ GIRATORIO	COFFEE PRESS AXIS
163	26000163	CHAPA PROTECCIÓN DEDOS	PLATE PROTECTION
164	26000164	MANETA	LEVER
165	26000165	CABLE DOBLE INTERRUPTOR- MICRO	DOUBLE MICRO-SWITCH CABLE
166	26000166	CABLE MICRO INFERIOR	LOWER MICRO CABLE
167	26000167	SUPLEMENTO CABLE MICRO	MICRO CABLE SUPLEMENT
168	26000168	TUERCA ESPECIAL SUJ. PRESA	NUT
169	26000169	PLACA CROMADA PERSONALIZADA	CHROMED PLATE CUSTOMIZED
170	26000170	PLACA CROMADA CUNILL	CHROMED PLATE CUNILL
171	26000171	CABLE CORTO PUENTE INTERRUPTOR	SHORT CABLE TO SWITCH
172	26000172	ARANDELA INOX. ANCLAJE MOTOR	WASHER STAINLESS
176	26000176	CHAPA DELANTERA PROTECCIÓN	PROTECTION FRONT PLATE
177	26000177	TORNILLO ALLEN M.5 X 20	SCREW ALLEN
190	26000190	TOLVA 2 KG + CASQUILLO ESPECIAL	SPECIAL COLLAR + HOPPER 2 KG.
19A	26000190A	" " "	" " "
191	26000191	MOTOR Nº 14 230V. 50HZ.	MOTOR NO 14 230V. 50HZ.
192	26000192	CHAPA SUJETA MOTORES	MOTORS HOLDER PLATE
193	26000193	TUBOS INOXIDABLES SALIDA CAFÉ	CAFFEE INLET INOX. TUBE
194	26000194	DOSIFICADORES	DISPENSER
195	260000195	PALANCA INOX. DOSIFICADOR	DISPENSER IN STAINLESS STEEL. LEVER
196	26000196	MUELLE PALANCA	SPRING LEVER
197	26000197	CHAPA OBTURADORA DOSIFICADOR	DISPENSER SHUTTER PLATE
198	26000198	ELECTROIMANES	ELECTRO-MAGNETS
199	26000199	CONJUNTO CARROCERIA	BODY COMPLET
200	26000200	PLACA ELECTRONICA CON DISPLAY	ELECTRONIC CONTROL PANEL WITH-DISPLAY
201	26000201	PLACA DE CONEXIONES	CONNECTIONS CONTROL PANEL
202	26000202	DISTANCIADORES PLACA CONEXIONES	CONNECTIONS CONTROL PANEL SPANCER
203	26000203	CABLE INTERNOS	INTERNAL CABLES
204	26000204	MICROS TELESCOPICOS	MICROSWITCH
205	26000205	INTERRUPTOR	SWITCH
206	26000206	TORNILLO CHAPA 4,2 X 45	SCREW
207	26000207	TORNILLO ALLEN M.5 X 20	SCREW
208	26000208	TORNILLO C/AVELLANADA M.5 X 49	SCREW
209	26000209	TORNILLO ALLEN M.4 X 33	SCREW
212	26000212	TORNILLO C/ CILINDRICA M.5 X 10	SCREW
213	26000213	TORNILLO C/ CILINDRICA M.5 X 25	SCREW
214	26000214	ARANDELA DENTADA	WASHER
215	26000215	ARANDELA PLANA	WASHER
216	26000216	TUERCA M.5 AUTOBLOCANTE	NUT
217	26000217	TORNILLO C/AVELLANADO M.5 X 30	SCREW
218	26000218	TORNILLO ALLEN M.5 X18	SCREW
220	26000220	TOLVA ½ NEGRA COMPLETA	HOPPER ½ BLACK ASSEMBLY
221	26000221	PLATINA REGULACION	REGULATION PLATE
222	26000222	TORNILLO ALLEN INOX. M.5 15	SCREW



POS.	REF.	DENOMINACION	DESCRIPTION
223	26000223	TORNILLO ALLEN	SCREW
224	26000224	PLACA TRASERA	REAR PLATE
225	26000225	CUERPO ENTERO INOX.	WHOLE BODY
226	26000226	CHAPA INTERIOR SUJETA MOTOR	MOTORS HOLDER INTERIOR PLATE
227	26000227	TUBO SALIDA DE CAFÉ INOX.	TUBE OF COFFEE OULET
228	26000228	TAPA TUBO SALIDA CAFÉ	COFFEE OULET TUBE COVER
229	26000229	PALANCA SUJETA BOLSAS INOX.	BAG-HOLDER LEVER
230	26000230	CHAPA DELANTERA	FRONT PLATE
232	26000232	MUELLE PALANCA DELANTERA	FRONT PLATE SPRING
234	26000234	ROTULA ESPECIAL	IT LABELS SPECIAL
235	26000235	PASADOR ROTULA PLACA	PLATE PIN IT LABELS
236	26000236	TORNILLO ALLEN	SREW
237	26000237	CASQUILLO SEPARADORES MOTOR	MOTOR SPANCER COLLAR
238	26000238	MOTOR N° 13 230V. 50HZ.	MOTOR N° 13 230V. 50HZ.
240	26000240	BANDEJA METALICA	METAL TRAY
241	26000241	CUERPO SOPORTE PORTA INOX.	METAL TRAY SUPPORT
242	26000242	TAPA SUPERIOR INOX.	UPPER COVER
243	26000243	DISTANCIADOR ELECTROIMANES	ELECTRO-MAGNETS SPACER
244	26000244	ANCLAJE MUELLE PALANCA	LEVER SPRING CASTING ANCHOR
245	26000245	TUERCA ESP. ANCLAJE EXC. EJE MOTOR	SPECIAL NUT
246	26000246	TORNILLO EXAGONAL M.6 X 14	SCREW
247	26000247	EJE BASCULANTE	ROCKING AXLE
248	26000248	ARANDELA	WASHER
249	26000249	TUERCA	NUT
250	26000250	CONJUNTO EMBELLECEDOR	ADORN COMPLETE
251	26000251	CABLE ELECTRONICO	ELECTRONIC CABLE
252	26000252	TORNILLO CHAPA 4,2 X 9,5	SCREW
253	26000253	FRONTAL INFERIOR INOX.	LOWER FRONT
254	26000254	CUERPO DELANTERO	FRONT BODY
255	26000255	CUERPO TRASERO	REAR BODY
253/3	26000253/3	SOPORTE PORTAL FILTROS	FILTER HOLDER SUPPORT
255/2	26000255/2	TAPA SUPERIOR INOX.	UPPER COVER
258A	26000258A	CUERPO TRASERO	REAR BODY
258B	26000258B	CUERPO DELANTERO	FRONT BODY
259	26000259	PLACA SOPORTE MOTOR	MOTOR SUPPORT PLATE
261	26000261	BANDEJA	TRAY
263	26000263	PLACA ELECTRONICA	MAIN BOARD
264	26000264	TUBO SALIDA DE CAFÉ	CAFFEE OULET TUBE
265	26000265	MOTOR N° 18 230V. 50HZ.	MOTOR NO.18 230V. 50HZ.
266	26000266	SUPLEMENTO METALICO	METALIC SUPPLEMENT
267	26000267	TUERCA M.3	NUT
268	26000268	TORNILLO M.3 X 20	SCREW
282	26000282	ESCUADRA DELANTERA SUJ. TOLVA	FRONT BRACKET
283	26000283	ESCUADRA TRASERA SUJ. TOLVA	REAR BRACKET
284	26000284	LEGÜETA CIERRE TOLVA	TONGUE-PIECE CLOSES HOPPER
285	26000285	TOLVA CUADRADA	SQUARE HOPPER
286	26000286	TAPA TOLVA	HOPPER COVER
287	26000287	TAPA SUPERIOR	UPPER COVER
288	26000288	PLACA ELECTRONICA	MAIN BOARD
289	26000289	FOTOCELULA SICK	FHOTO CELL SICK
294	26000294	SOPORTE FOTOCELULA	FHOTO CELL SUPPORT
295	26000295	CEPILLO LIMPIEZA TUBO SALIDA	CLEANING BRUSH
296	26000296	TOLVA 2 KG.	HOPPER 2 KG



POS.	REF.	DENOMINACION	DESCRIPTION
295	26000295	CEPILLO LIMPIEZA TUBO SALIDA	CLEANING BRUSH
296	26000296	TOLVA 2 KG.	HOPPER 2 KG.
297	26000297	TOLVA 1 KG.	HOPPER 1 KG.
298	26000298	TOLVA ½ KG.	HOPPER ½ KG.
299	26000299	TAPA TOLVA 2008	HOPPER COVER 2008
300	26000300	REGULADOR COMPLETO 2008	COMPLETE REGULATOR 2008
300/1	26000300/1	REGULADOR COMPLETO UGANDA	COMPLETE REGULATOR (UGANDA)
306	26000306	PLATINA REGULACIÓN	ADJUSTMENT DISC
307	26000307	PLATINA REGULACIÓN 2008 (MOVIE)	ADJUSTMENT DISC (MOVIE)
308	26000308	LENGÜETA CIERRE TOLVA	TONGUE-PIECE CLOSES HOPPER
309	26000309	PROTECTOR TOLVA	HOPPER PROTECTIVE
310	26000310	TORNILLO REGULADOR M.3 X 10	REGULATING SCREW
311	26000311	CUERPO COMPLETO TRANQUILO	BODY COMPLETE (TRANQUILO)
311A	26000311A	CUERPO COMPLETO TRANQUILO-2	BODY COMPLETE (TRANQUILO-2)
312	26000312	TAPA INFERIOR TRANQUILO	LOWER COVER (TRANQUILO)
313	26000313	SOPORTE-PORTA TRANQUILO	SUPPORT FILTER HOLDER (TRANQUILO)
313	26000313T	SOPORTE PORTA TRANQUILO-TRON	SUPPORT FILTER HOLDER (TRANQUILO-TRON)
314	26000314	BANDEJA TRANQUILO	TRAY (TRANQUILO)
315	26000315	CUERPO COMPLETO BRASIL	BODY COMPLETE (BRASIL)
316	26000316	MODULO REDONDO	MODULE CIRCULAR
317	26000317	TAPA INFERIOR BRASIL	LOWER COVER (BRASIL)
318	26000318	BANDEJA BRASIL	TRAY (BRASIL)
320	26000320	GUIA CABLES	CABLES GUIDE
321	26000321	BASE INOX. BRASIL	BASE STAINLESS (BRASIL)
322	26000322	CUERPO REDONDO INOX BRASIL	MODULE CIRCULAR STAINLESS (BRASIL)
323	26000323	CUERPO REDONDO INOX MARFIL	MODULE CIRCULAR STAINLESS (MARFIL)
323A	26000323A	CUERPO REDONDO INOX MICHIGAN	MODULE CIRCULAR STAINLESS (MICHIGAN)
324	26000324	TOLVA COMPLETA ½ KG.	COMPLETE HOPPER ½ KG.
325	26000325	TOLVA COMPLETA 1 KG.	COMPLETE HOPPER 1 KG.
326	26000326	TOLVA COMPLETA 2 KG.	COMPLETE HOPPER 2 KG.
327	26000327	TOLVA COMPLETA 1,5 KG.	COMPLETE HOPPER 1,5 KG.
329	26000329	SOBRE REDONDA ALUMINIO	CIRCULAR COVER
330	26000330	MOTOR Nº11 400W. 1300RPM. 230V.50HZ.	MOTOR Nº11 400W. 1300RPM. 230V.50Hz
331	26000331	SEPARADOR M6 x 214MM.	SCREW M6 x 214 MM.
333	26000333	CHAPA SOPORTE MOTOR	MOTOR SUPPORT PLATE
452	26000452	GATILLO REGULACION	GRIND WHEELS ADJUSTMENT PAWL
506	26000506	TAPA DISIFICADOR AUTO-LUXO	AUTOMATIC DISPENSER COVER AUTO-LUXO
507	26000507	TAPETA MICRO AUTOMATICO LUXO	AUTOMATIC MICRO SWITCH SEAL LUXO
508	26000508	ARO SUPLEMENTO AUTOMATICO LUXO	AUTOMATIC RING SUPPLEMENT LUXO
509	26000509	INTERRUPTOR REDONDO CON LUZ LUXO	ROUNDED SWITCH PILOT LIGHT LUXO
510	26000510	CARROCERIA DE ALUMINIO DERECHA	PAINTED ALUMINIUM BODY RIGHT HALF LUXO
511	26000511	" " IZQUIERDA	" " " LEFT " "
512	26000512	CHAPA SOPORTE MOTOR LUXO	MOTOR SUPPORT SHEET LUXO
514	26000514	GOMA INTERIOR CHAPA MOTOR LUXO	MOTOR SHEET INTERIOR RUBBER LUXO
516	26000516	CAPUCHA DE GOMA MOTOR Nº 11	RUBBER CAP FOR MOTOR Nº 11 LUXO
519	26000519	AVISADOR ACUSTICO DE TOLVA (LATA)	HOPPER (METALLIC CAN) ACOUSTIC ALARM
520	26000520	TAPA INFERIOR CUERPO LUXO	BODY BASE PLATE LUXO
521	26000521	BANDEJA -LUXO	TRAY LUXO
525	26000525	PRENSA CAFÉ	CAFFEE TAMPER
526	26000526	SOPORTE PRENSA CAFÉ	CAFFEE TAMPER SUPPORT
527	26000527	SOPORTE PORTAFILTROS	FILTER HOLDER SUPPORT
528	26000528	HORQUILLA	SUPPORT HOLDER
529	26000529	SOPORTE CONJUNTO	TAMPER LUXOMATIC
530	26000530	TUBO SALIDA CAFÉ	COFFEE OUTLET TUBE LUXOMATIC
531	26000531	FRONTAL PLACA ELECTRONICA	ELECTRONIC BOARD FRONT LUXOMATIC
533Q	26000533Q	CONJUNTO CAJA ELECTRONICA	ELECTRONIC BOARD SET LUXOMATIC
533R	26000533R	CJTO.PLACA ELECTRONICA REDONDO-TRON 2016	ROUNDED ELECTRONIC BOARD SET-TRON 2016
534	26000534	FRONTAL PLACA ELECTRONICA-TRON 2016	ELECTRONIC BOARD FRONT-TRON 2016
535	26000535	TAPA INFER. FRONTAL PLACA ELECTR.-TRON 2016	BOTTON COVER ELECTRONIC FRONT-TRON 2016
536	26000536-1	GOMA SALIDA CAFÉ MODDELO TRANQUILO-TRON 2016	COFFEE OUTLET RUBBER TRANQUILO TRON 2016



QUALITY ESPRESSO

Capture the Essence