

# DESPIECE / SPARE PARTS

**MOLINOS MAZZER**  
**MAZZER GRINDERS**

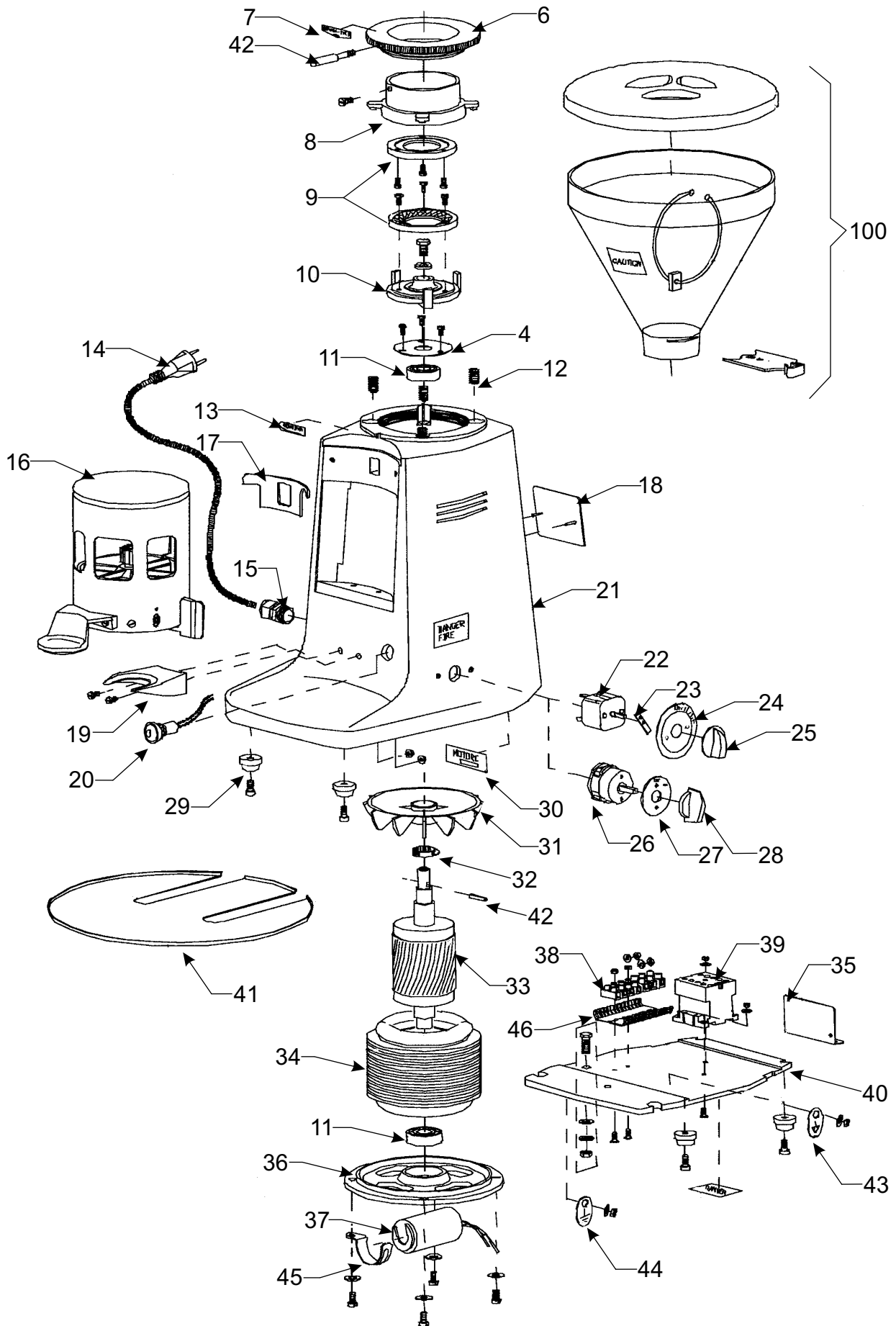


**QUALITY ESPRESSO**  
*Capture the Essence*

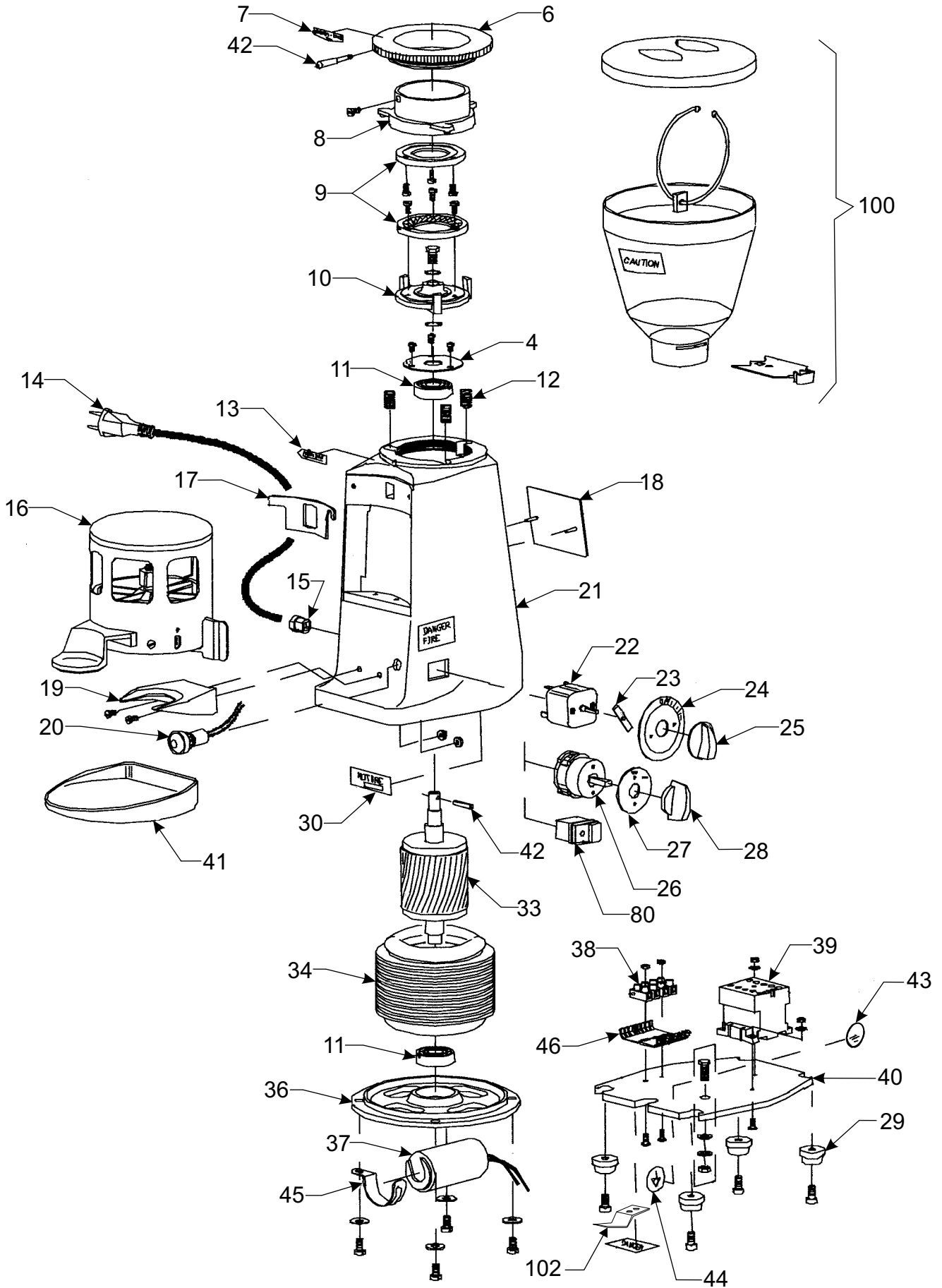


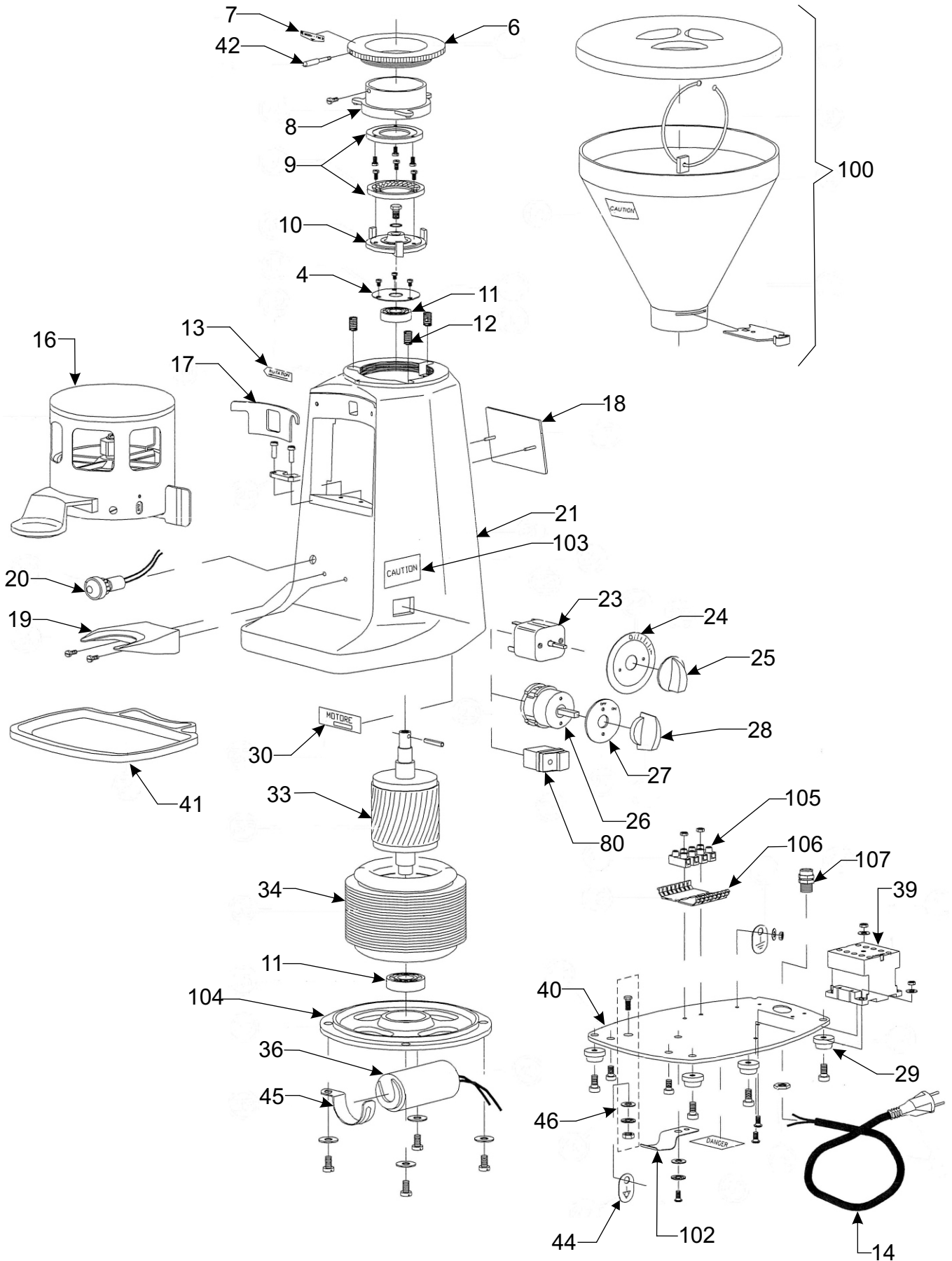


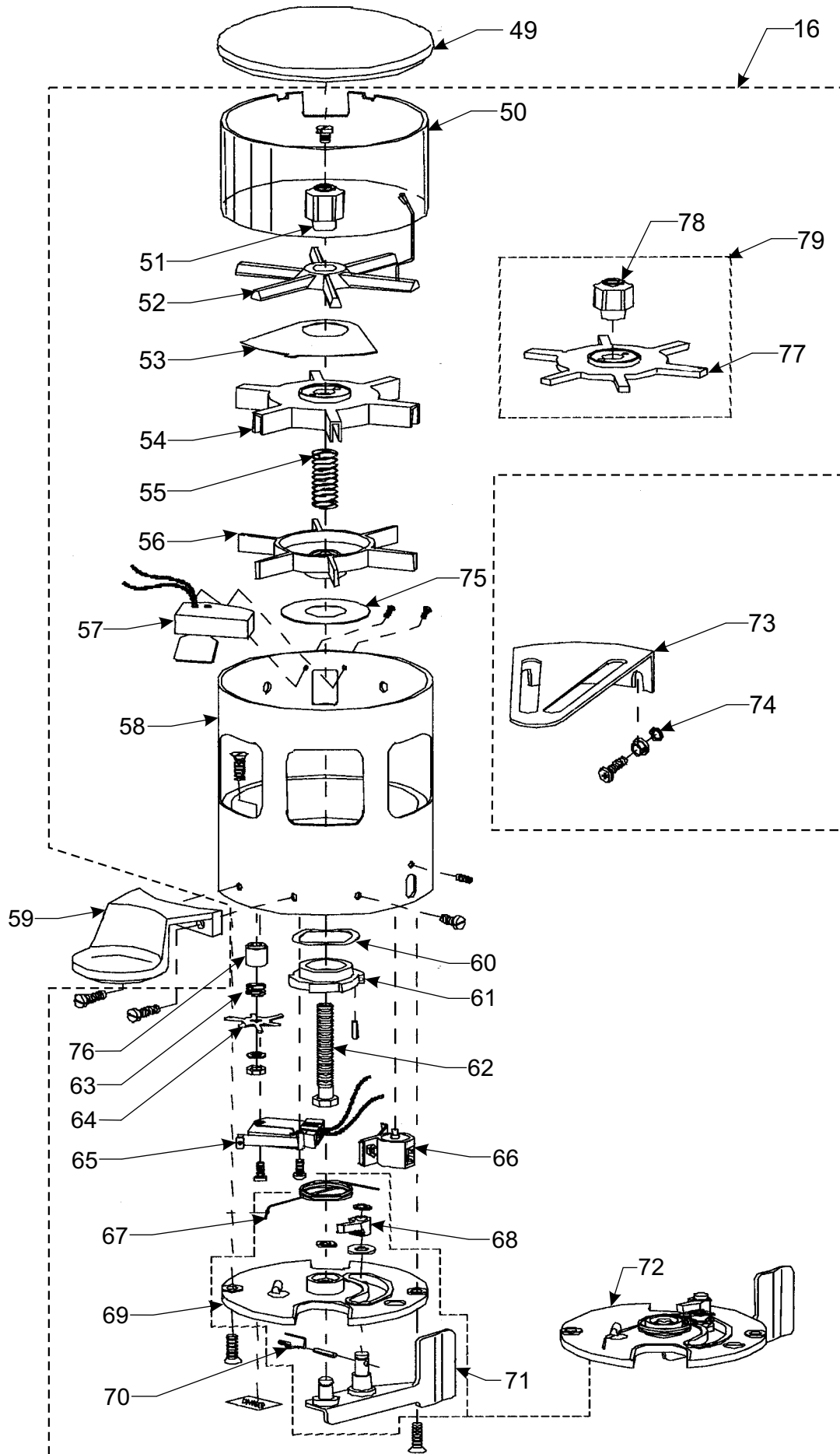
<b>PAG. 2</b>	<b><i>MOLINO DE CAFÉ MAJOR</i></b>	<b><i>MAJOR COFFEE GRINDER</i></b>
<b>PAG. 3</b>	<b><i>MOLINO DE CAFÉ SUPER JOLLY</i></b>	<b><i>SUPER JOLLY COFFEE GRINDER</i></b>
<b>PAG. 4</b>	<b><i>MOLINO DE CAFÉ MINI</i></b>	<b><i>MINI COFFEE GRINDER</i></b>
<b>PAG. 4A</b>	<b><i>MOLINO DE CAFÉ LUX</i></b>	<b><i>LUX COFFEE GRINDER</i></b>
<b>PAG. 5</b>	<b><i>DOSIFICADOR CAFÉ DER.</i></b>	<b><i>COFFEE DOSING RIGHT</i></b>
<b>PAG. 6</b>	<b><i>PRENSA CAFÉ DE MUELLE</i></b>	<b><i>TELESCOPIC TAMPER COMPLET</i></b>
<b>PAG. 7</b>	<b><i>POS. 1 AL 29</i></b>	<b><i>POS. 1 TO 29</i></b>
<b>PAG. 8</b>	<b><i>POS. 30 AL 58</i></b>	<b><i>POS. 29 TO 58</i></b>
<b>PAG. 9</b>	<b><i>POS. 59 AL 107</i></b>	<b><i>POS. 59 TO 107</i></b>
<b>PAG. 10</b>	<b><i>DOSIFICADOR CAFÉ IZQ.</i></b>	<b><i>LEFT DOSING COFFEE</i></b>
<b>PAG. 11</b>	<b><i>DOSIFICADOR CAFÉ IZQ. REF.</i></b>	<b><i>LEFT DOSING COFFEE REF.</i></b>

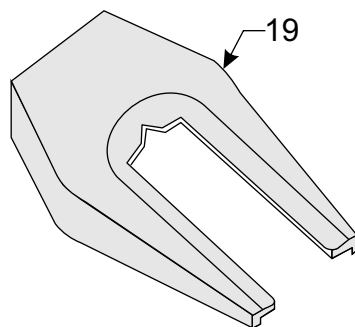
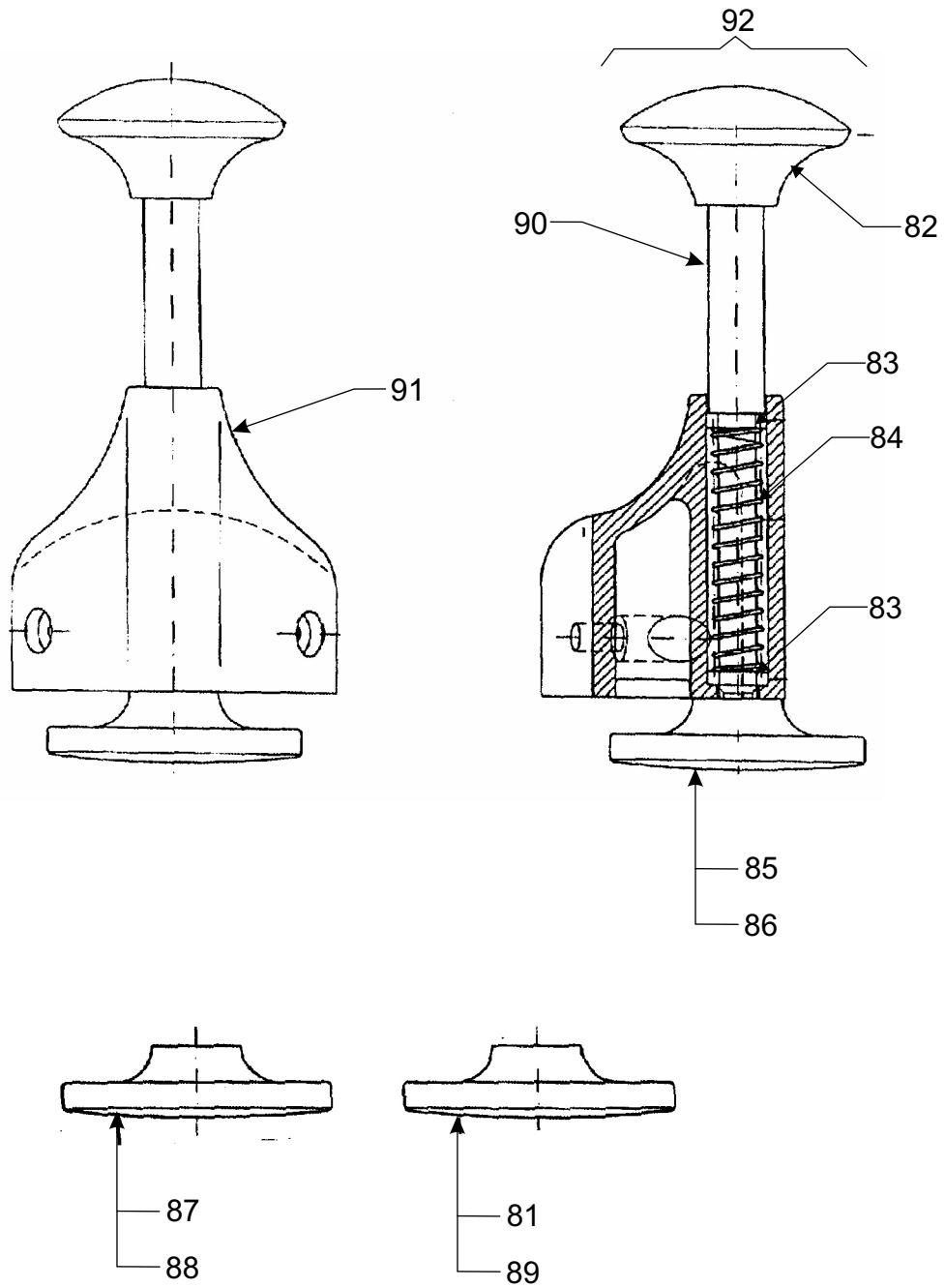












Horquilla especial para  
prensa telescopico

Special support,  
telescopic press



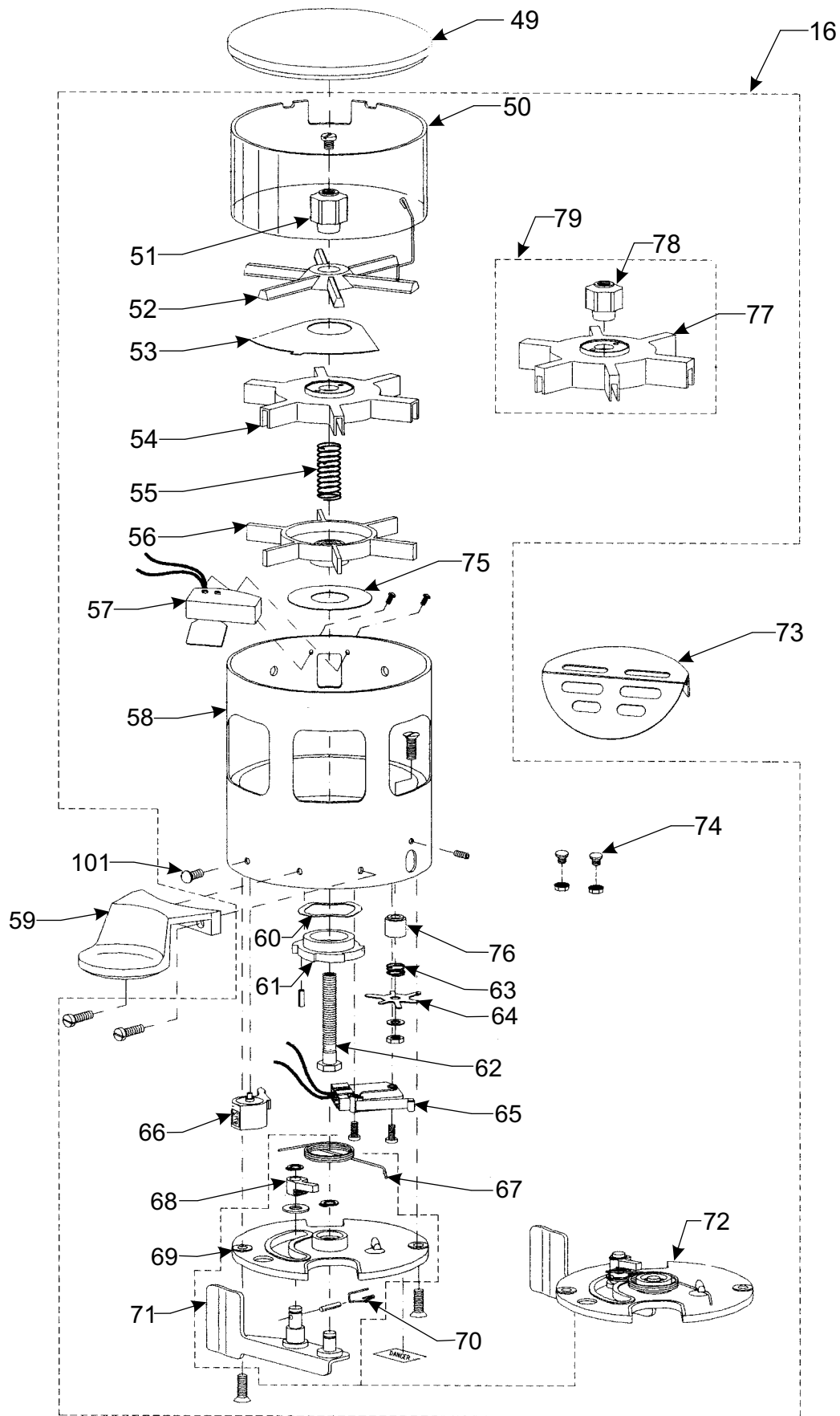
Pos	COMÚN	MAJOR	JOLLY	MINI	LUX	DENOMINACION	DESCRIPTION
4		66600021				Tapa cojinete SMI0SEB01	Bearing cover
4			66600022			" " SSJ0COA01A	" "
4				66600111	66600111	" " SSJ0COA01	" "
5							
6		66600023				Regul. Molido SMJ0GHA04	Ground coffee regulation
6			66600024	66600024	66600024	" " SSJ0GHA02	" " "
7	66600025					Etiqueta grueso - fino S000ETA03	Coarse - fine Label
8		66600026				Porta fresas sup. SMJ0POA06A	Upper mill holder
8			66600027			" " " SSJ0POA03	" " "
8				66600098		" " " SMI0POA04	" " "
8					66600269	" " " SLX0POA02	" " "
9		66600005				Juego fresas 83 mm. FMA00151D	Set of flat grindwheel
9			66600004			" " 64 mm. FMA00033M	" " "
9				66600094		" " 58 mm. FMA00182D	" " "
9					66600259	" " 61 mm. Lux MFA00195D	" " " (LUX)
10		66600028				Porta fresas inf. SMJ0POA07	Lower mill holder
10			66600029			" " " SSJ0POA04	" " "
10				66600295		" " " SMI0POA01	" " "
10					66600270	" " " SLX0POA01	" " "
11		66600030				Cojinete S000CUA04	Bearing
11			66600271	66600271	66600271	" S000CUA07	"
12	66600006					Muelle S000MOB14	Spring
12					66600272	" SSJ0MOB01	"
13	66600031					Etiqueta rotac. S000ETA00	Label
14	2600/010161					Cable alimentación	Supply cable
15		66600032				Pasacables S000PAB03	Protective rubber washer
15			66600033			" S000PAB04	" " "
15				66600101		" S000PAB02	" " "
16		66600034				Conj. Dosific. manual SMJSGRA02	Dosing assembly
16		66600099				" " autom. SMJSGRA04	
16			66600035			" " SSJSGRA05A	" "
16			66600102	66600226		" " manual SSJSGRA01A	" "
16			66600103	66600103		" " automático SSJSGA03A	" "
16					66600267	" " automatico SMISGRL03	" "
17	66600036					Junta S000GUA01	Gasket
18	66600037					Tarjeta MAZZER S000TAA02	Sticker MAZZER
19	66600007					Horquilla S000FOB02	Filter holder support
19	66600255					" prens. telescopica S000FOB04	" " Telescopic press
20	66600038					Piloto verde S000LAA06	Green lamp
21		66600039				Cuerpo MAJOR SMJ0CAA04	Body MAJOR
21			66600040			Cuerpo S. JOLLY SSJ0CAA02A	" S. JOLLY
21				66600104		Cuerpo MINI SMI0CCA02A	" MINI
21					66600273	Cuerpo LUX SLX0CAA02	" LUX
22	66600008					Temporizador S000TIA02	Timer
23	66600041					Bloqueo temp. S000FEA01	Timer blocking
24	66600003					Etiqueta temp. S000TAA03	Timer label
25	66600009					Pomo S000MAB01	Handle
26	66600010					Inter. Rotativo S000INA13	Switch
27						Adhesivo interruptor	Switch sticker
28						Pomo interruptor	Switch handle
29	66600011					Pié completo S00SPIA01A	Compleat foot



Pos	COMÚN	MAJOR	SUP.JOLLY	MINI	LUX	DENOMINACION		DESCRIPTION
30		66600042				Etiqueta motor	SMJ0ETA01	Motor label
30			66600043			" "	SSJ0ETA01	" "
30				66600105		" "	SMI0ROA01	" "
30					66600274	" "		" "
31		66600044				Turbina	SMJ0VEA01	Turbine
32		66600045				Abrazadera	S000FAA01	Worm clamp
33		66600046				Rotor	SMJ0ROA02	Rotor
33			66600047			Rotor	SSJ0ROA01	"
33					66600275	"	SMI0ROA00	"
34		66600048				Estator. 230V./50Hz.	SMJSPAE03	Stator
34			66600049			" "	SSJSPAE01	"
34				66600106	666000106	" "	SMISPAE01	"
35		66600050				Soporte contact.	S000PIA05	Contactor support
36		66600051				Tapa motor	SMJ0CAB03	Motor cover
36			66600052			" "	SSJ0CAB02	" "
36				66600107		" "	SMI0CAB03	" "
37		66600012				Condens. 16mf.	S000COE03	Condenser 16 mf.
37			V/321300			" 10mf.		" 10 mf.
37				66600108	66600108	" 6,3mf	S000COE14	" 6,3MF.
38	66600053					Regleta	S000MOA04	Terminal
39	66600054					Contactor 230V 50Hz.	S000COC02	Contactor 230 V. 50 Hz.
40		66600055				Base	SMJ0PIO02	Base cover
40			66600056			Base	SSJ0PIC01A	Base cover
40				66600109		Base	SMI0PIC01	" "
40					66600276	Base	SLX0PIN02	" "
41		66600057				Plato (opcional) 2002	SMJ0PIB02	Tray (Option) 2002
41		66600058	66600058			Plato (opcional)	SSJ0PIB02	" "
41				66600110	66600110	Plato (opcional)	SMI0PIB01	" "
41	66600263					Plato (Inox.)	SMI0PIB02	Tray
42	66600059					Pasador	SSJSPEA04	Pin
43	66600060					Etiqueta masa	S000TAA18	Ground label
44	66600061					Tarjeta externa	S000TAA19	Sticker
45	66600062					Abrazadera	S000GRB05	Worm clamp
46	66600063					Base regleta	P000SOT02	Terminal base
47			66600092			Arandela	S000ANA02	Wahser
48			66600093			Tuerca	S000DAA02	Nut
49	66600013					Tapa dosificador	S000COD02	Dosing cover
50		66600232				Cilindro dosificador	S000CIA03	Dosing cylinder
50			66600014			Cilindro dosificador	S000CIA01	Dosing cylinder
50				66600233	66600233	Cilindro dosificador	S000CIA02	Dosing cylinder
51	66600065					Pomo regulación	S000MAB02	Regulation Handle
52	66600066					Estrella superior	SMIJSSTA04	Upper star
53	66600067					Sector de cierre	S000SEA01	Sealing strip
54	66600068					Estrella intermedia	S000STA03	Middle star
55	66600069					Muelle	S000MOB05	Spring
56	66600070					Estrella inferior	S000STA02	Lower star
57	66600071					Micro superior	S00SMIA01	Upper micro-switch
57					66600277	" "	S00SMIA07	" " "
58		66600072				Cilindro dosificador	SMJ0TUA04	Dosing cylinder
58			66600073	66600073		" "	SSJ0TUA03A	" "
58					66600278	Cilindro dosif. Autm.	SMI0TUA04	" " automatic



POS.	COMÚN	MAJOR	SUP.JOLLY	MINI	DENOMINACION	DESCRIPTION
16		66600229			Cj. Dosificador man. SMJSGRAS2	Dosing cylinder
16			66600227		" " " SSJSGRAS1	" "
16				66600228	" " " SMISGRAS2	" "
49	66600013				Tapa dosificador S000COD02	Dosing cover
50		66600232			Cilindro dosificador S000CIA03	Dosing cylinder
50			66600014		Cilindro dosificador S000CIA01	Dosing cylinder
50				66600233	Cilindro dosificador S000CIA02	Dosing cylinder
51	66600065				Pomo regulación S000MAB02	Regulation Handle
52		66600066			Estrella superior SMJSSTA04	Upper star
52			66600234		Estrella superior SSJSSTA04	Upper star
52				66600235	Estrella superior SMISSTA04	Upper star
53	66600067				Sector de cierre S000SEA01	Sealing strip
54	66600068				Estrella intermedia S000STA03	Middle star
55	66600069				Muelle S000MOB05	Spring
56	66600070				Estrella inferior S000STA02	Lower star
57	66600071				Micro superior S00SMIA09	Upper micro-switch
58		66600236			Cil. dosificador man. SMJ0TUAMX	Dosing cylinder
58		66600237			Cil. dosificador autom.SMJ0TUAAX	Dosing cylinder
58			66600238		Cil. dosificador man. SSJ0TUAX3	Dosing cylinder
58			66600239		Cil. dosificador autom.SSJ0TUAX4	Dosing cylinder
58				66600240	Cil. dosificador man. SMI0TUAX2	Dosing cylinder
58				66600241	Cil. dosificador autom.SMI0TUAX1	Dosing cylinder
59a	66600015				Prensa 53 mm. S000PRA02	Coffee press 53 mm.
59b	66600016				" 54,5 mm. S000PRA02	" " 54,5 mm.
59c	66600017				" 57,5 mm. S000PRA02	" " 57,5 mm.
60	66600074				Arandela compesac.S000ANA01	Washer
61	66600242				Trinquete S000CRA03	Pawl
61				66600243	" automatico SMIACRAS1	" automatic
62	66600076				Tornillo regulación S000VIA01	Regulation screw
63	66600077				Muelle S000MOB06	Spring
64	66600078				Estrella micro S000STA05	Micro star
65	66600079				Micro inferior S00SMIA04	Lower micro switch
66	66600244				Contador S00SCOB03	Quantity meter
67	66600225				Muelle S000MOB12	Spring
68	66600246				Gatillo S000NAA02	Pawl
69	66600247				Tapa dosif. S000FOA04	Dosing cover
70	66600248				Muelle gatillo S000MOB13	Pawl spring
71	66600249				Leva dosif. S00SLEA04	Dosing lever
72	66600250				Tapa completa S00SFOA02	Compleat cover
73		66600251	666000251		Protec. Sal. Café SSJ0PRB02	Coffee outlet protector
73				66600252	" " " SMI0PRB01	" " "
74	66600253				Tornillo ETL S000VIA04	Screw
75	66600087				Arandela S000ROA02	Washer
76	66600088				Distancial S000DIA01	Spacer
77	66600089				Estrella mas alta S000STA06	Star upper
78	66600090				Pomo S000MAB03	Handle
79	66600091				Estrella + pomo S00SGRA08	Handle + star
101			66600254	666000254	Tapón S000TAB05	





Pos	COMÚN	MAJOR	SUP.JOLLY	MINI	LUX	DENOMINACION	DESCRIPTION
59	66600015					Prensa 53 mm. S000PRA02D	Coffee press 53 mm.
	66600016					" 54,5 mm. S000PRA02	" " 54,5 mm.
	66600017					" 57,5 mm. S000PRA02E	" " 57,5 mm.
60	66600074					Arandela compesac. S000ANA01	Washer
61	66600075					Trinquete S000CRA01	Pawl
62	66600076					Tornillo regulación S000VIA01	Regulation screw
63	66600077					Muelle S000MOB06	Spring
64	66600078					Estrella micro S000STA05	Micro star
65	66600079					Micro inferior S00SMIA04	Lower micro switch
66	66600080					Contador S00SCOB01	Quantity meter
66					66600279	Contador S00SCOB02	Quantity meter
67	66600018					Muelle S000MOB03A	Spring
67					66600280	" S000MOB03	"
68	66600081					Gatillo S000NAA01A	Pawl
68					66600281	" S000NAA01	"
69	66600082					Tapa dosif. S000FOA01	Dosing cover
69					66600282	" " S000FOA03	
70	66600083					Muelle gatillo S000MOB04	Pawl spring
71	66600019					Leva dosif. S00SLEA02	Dosing lever
72	66600084					Tapa completa S00SFOA01	Compleat cover
73	66600085					Protec. Sal. Café S000PRB01	Coffee outlet protector
73					66600252	" " " SMI0PRB01	
74	66600086					Casquillo S000BOC03	Cap
74					66600283	" S000VIA04	Cap
75	66600087					Arandela S000ROA02	Washer
76	66600088					Distancial S000DIA01	Spacer
77	66600089					Estrella mas alta S000STA06	Star upper
78	66600090					Pomo S000MAB03	Handle
79	66600091					Estrella + pomo S00SGRA08	Handle + star
80				66600112		Interruptor bipolar S000INA12A	Switch
81	66600113					Prensa plastico ø 53 S000PRA04C	Coffee press (Plastic)
82	66600115					Pomo S000POB01	Handle
83	66600116					Arandela S000ROM01	washer
84	66600117					Muelle S000MOB11	Spring
85	66600118					Prensa plastico ø 54,5 S000PRA04A	Coffee press (Plastic)
86	66600119					Prensa aluminio ø 54,5 S000PRAA4A	Coffee press (aluminum)
87	66600120					Prensa plastico ø 57,5 S000PRA04B	Coffee press (Plastic)
88	66600121					Prensa aluminio ø 57,5 S000PRAA4B	Coffee press (aluminum)
89	66600222					Prensa alumnio ø 53 S000PRAA4C	Coffee press (aluminum)
90	66600223					Eje S000PEA02A	Axis
91	66600224					Soporte S000SUA03A	Support
92	66600114					Conj. Prensa a muelle S000SPRA04	Telescopic coffee press
100	66600100					Cjto. Tolva S00SCAE02	Hopper complet
100	66600258					" " cilíndrica S00SCAE05	" " cylindrical
100				66600097		Cjto. Tolva SMISCAE03	Hopper complet
102	66600264					Fijación plato (lux) SMI0LAM01	Tray fixation
103					66600284	Etiqueta precaución S000TAA20	Warning label
104					66600107	Cubierta motor SMI0CAB03	Cover motor
105					66600285	Terminal S000MOA04	Conection terminal
106					66600286	Soporte terminal S000SOT02	Terminal support
107					66600287	Pasacable S000PAB03	Grommet