



**Quality
Industries**

Precision Metal Fabrication

Original

QMM-4 Series MARINATOR (All Models) Operating Manual



**LISTED c
459R**



FOR COMMERCIAL USE ONLY

Customer Service: Call 1-615-793-2250

LIMITED WARRANTY

QUALITY INDUSTRIES warrants to the original purchaser only that its products are free from defects in material or workmanship for a period of (1) year from the date of shipment. If any part of a Quality Industries product fails during this period because of defective workmanship the original purchaser should immediately notify the Customer Service Department of QUALITY INDUSTRIES. Claims should be sent to the following address: QUALITY INDUSTRIES, 130 Jones Boulevard, P.O. Box 7016, LaVergne Tennessee 37086-7016. QUALITY INDUSTRIES reserves the right to send a service representative to examine its product. If the examination, in the sole judgment of QUALITY INDUSTRIES proves that any part of its product has failed because of defective material or workmanship, QUALITY INDUSTRIES will, at its option, either repair or replace the part without charge to the original purchaser. No responsibility for any expense will be accepted by QUALITY INDUSTRIES without prior written approval by our Customer Service Department.

During the first ninety (90) days of the warranty period QUALITY INDUSTRIES shall, upon prior written approval of its Customer service Department, be responsible for any necessary and reasonable labor and freight costs associated with the repair or replacement.

LIMITATION OF DURATION AND EXCLUSION OF IMPLIED WARRANTIES

ANY IMPLIED WARRANTIES, INCLUDING WARRANTIES OF MERCHANTABILITY OR FITNESS FOR A PARTICULAR PURPOSE, WHICH ARISE OUT OF THE SALE OF A QUALITY INDUSTRIES PRODUCT ARE LIMITED TO A DURATION OF ONE (1) YEAR. AFTER THAT DATE, THESE WRITTEN WARRANTIES ARE GIVEN IN LIEU OF ANY IMPLIED WARRANTIES OF MERCHANTABILITY OR FITNESS FOR A PARTICULAR PURPOSE.

Some states do not allow limitations on how long an implied warranty lasts, so the above limitations may not apply to you.

QUALITY INDUSTRIES SHALL HAVE NO LIABILITY FOR ANY INCIDENTAL, SPECIAL OR CONSEQUENTIAL DAMAGES ARISING FROM THE SALE OR USE OF ANY OF ITS PRODUCTS.

Some states do not allow the exclusion or limitation of incidental or consequential damages so the above limitations or exclusions may not apply to you.

EXCLUSIONS

This warranty does not apply and QUALITY INDUSTRIES assumes no liability or responsibility for any damages that result due to the following:

1. The alteration of a QUALITY INDUSTRIES product.
2. The abuse or misuse of a QUALITY INDUSTRIES product.
3. The improper installation of a QUALITY INDUSTRIES product.

Repairs and/or modifications to any part or assembly of a QUALITY INDUSTRIES product without the written consent of QUALITY INDUSTRIES shall render this warranty void.

RECALL OF PRODUCTS

QUALITY INDUSTRIES reserves the right to request the return of any part or product claimed to be defective under the terms of this warranty. Such return shall first have the written approval of our Customer Service Department and shall be sent freight prepaid with the carrier designated by the Customer Service Department. Freight charges will be credited to the customer if the return is in the first ninety (90) days of this Warranty.

GENERAL CONDITIONS

THESE WARRANTIES ARE GIVEN IN LIEU OF ANY OTHER EXPRESS WARRANTIES. QUALITY INDUSTRIES DOES NOT AUTHORIZE ANY PERSON TO MAKE ANY REPRESENTATIONS TO THE CONTRARY IN CONNECTION WITH THE SELL OR INSTALLATION OF A QUALITY INDUSTRIES PRODUCT.

The Warranties give you specific legal rights, and you may also have other rights which vary from state to state.

This Warranty may be modified only by prior written agreement which must be signed by an officer of QUALITY INDUSTRIES.

Table of Contents

Section	Page
Limited Warranty	2
General Safety Information	3
Warnings	3
Cleaning and Sanitizing Instructions	4
Operating Instructions	4
Finder Timer Setup	5
Maintenance	5
Troubleshooting	6
Torque Limiter Adjustment	6
Lid to Tank Assembly	7
Tank Removal	7
FMA015 Wiring Diagram	8
Marinator Parts List	9
Marinator Parts Diagram	10
Critical Parts Specifications	11
Notes	12

General Safety Information

POTENTIAL HAZARD	EFFECT	PREVENTION
Moving and rotating parts	Can cause injury that could be severe.	Do not operate unit at any time without safety covers in place or if safety devices are not functioning properly.
Electrical shock	Can cause serious injury or death	Disconnect the marinator from the electrical power source before performing any cleaning, maintenance, or repair work.

Warnings

- ☛ **The QMM-4 Marinator is designed and sold for Commercial use only. Any use of this equipment for anything other than Commercial Food Marinating is prohibited and will void all warranties.**
- ☛ **Always disconnect the marinator from the electrical power source before cleaning or performing any repair or maintenance work.**
- ☛ **Allowing a drip loop in the power cable below the electrical outlet will help prevent fluids from dripping down the wire into the outlet while the equipment is connected to an electrical power source during operation.**
- ☛ **Wipe equipment clean with a towel and cleaner/sanitizer solution. DO NOT USE A HOSE OR PRESSURE WASHER TO CLEAN THE MARINATOR.**
- ☛ **DO NOT LUBRICATE ANY BEARINGS ON THE OUTSIDE OF THE MOTOR COVER.**

- **Use only Food Grade lubricants when lubricating the casters and drive chain.**
- **CAUTION:** Risk of Electrical Shock. **DO NOT** operate or store this equipment in a refrigerated environment.
- **CAUTION:** Risk of Food Contamination. **DO NOT** use this product for any non-food applications.
- **CAUTION:** Risk of Damage to Safety Interlock. **DO NOT** operate this equipment if the tank makes contact with the cover.
- **NOTICE:** A-Weighted sound pressure level emissions do not exceed 70 dB(A) during operation.

Cleaning and Sanitizing Instructions

AFTER EACH MARINATION CYCLE:

- Remove the lid, gasket, tank, drain tray, and drain lug and take to sink.
- Rinse parts and then clean by 3-step method as outlined in your KFC *Operations Manual*.
- Replace tank on marinator frame and allow to air dry in lid-down position until next use.
- Allow lid, gasket, drain tray, and drain lug to air dry.

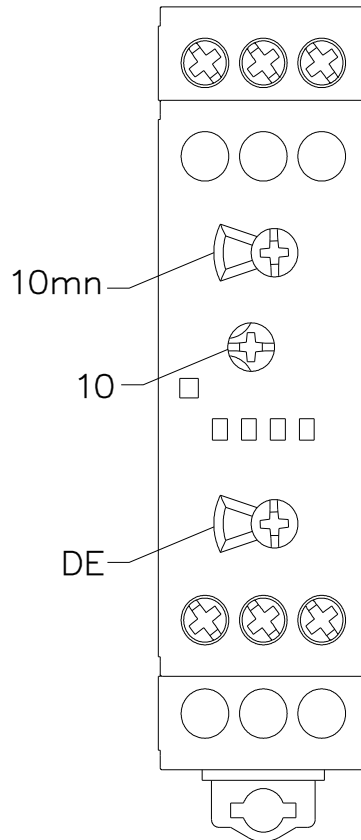
END OF DAY OR WHEN ALL MARINATIONS ARE COMPLETE:

- Repeat above steps: however, disassemble lid to clean thoroughly.
- Unplug the marinator and wipe the entire marinator chassis (including casters) with a clean towel dampened with sanitizer/cleaner solution. Allow to air dry. (**NOTE: DO NOT** hose the motor housing or vents under the marinator with water as damage to electrical components may result).
- Reassemble lid after parts have completely air-dried.

Operating Instructions

- Prepare marinade as outlined in your *KFC Operations Manual*.
- Place chicken and marinade in tank.
- Secure lid (Refer to Lid to Tank Assembly section on Page 7):
 - Rubber O-ring must fit securely around lip of tank opening.
 - Hold lid by handle and position locking bar parallel with length of lid.
 - Place lid on tank opening and push down to assure good seal.
 - Turn handle parallel with length of lid, and push handle down against lid to engage locking bar.
 - Roll tank upside down to check for leaks.
- Push black “Start” button to begin marination.
- **NOTE:** If for any reason you must turn off the marinator, push the red “Stop” button located on the front of the marinator above the black “Start” button. However, do not stop the marinator except in an emergency. Once turned off, the timer will automatically reset for the full cycle. At the end of the cycle, remove lid, and roll the tank lid-down to allow the marinated product to fall into drain tray over drain lug. Drain and re-bag chicken as outlined in your KFC *Operations Manual*.

Timer Setting



Use a small screwdriver to set the switches as shown.

Maintenance

Your QMM-4E Marinator was designed to be virtually maintenance free. However, we do recommend the following inspections be performed periodically. **Always make sure the unit is unplugged** from the electrical power source before performing any maintenance or inspections.

- 1) Inspect the electrical cord for tears, rips, cuts, etc. Repair or replace as needed.
- 2) Lubricate the casters as needed to ensure the unit rolls freely and to prevent premature failure.
- 3) Remove the Motor Cover and visually inspect the following for excessive wear and replace if necessary:
 - Spider Bearing – Item 8 on Parts Diagram
 - Shaft Seal and Spring – Items 12 and 13 respectively on Parts Diagram
 - Tank Handle Washer – Item 51 on Parts Diagram
 - Rubber Washer – Item 54 on Parts Diagram
 - Tank Lid “O” Ring – Item 2 on Parts Diagram
 - Drive Chain – Item 17 on Parts Diagram
- 4) Inspect Drive Chain – (Item 17) to insure adequate lubrication. If necessary, lubricate sparingly with lightweight Food Grade oil to ensure quiet operation.

- 5) Re-assemble the Motor Cover to the unit. Apply a small bead of clear Food Grade silicone sealant between the bottom edges of Motor Cover and Frame to thoroughly seal.
- 6) Keep your QMM-4E Marinator looking new by cleaning periodically with an approved Stainless Steel Polish / Cleaner.

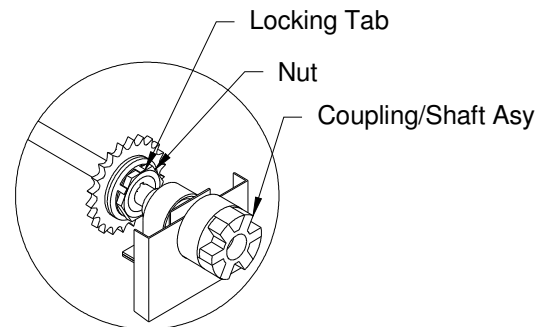
Troubleshooting

Problem	Solution
Motor runs, but tank will not turn.	<ul style="list-style-type: none"> • Adjust Torque Limiter (See Adjusting Torque Limiter)
Unit runs only with Start button continuously depressed.	<ul style="list-style-type: none"> • Bad Stop Switch. Check and replace if bad. • Bad Timer. Check and replace if bad.
Unit will not run at all.	<ul style="list-style-type: none"> • Check power cord. Make sure power cord is plugged in and is not damaged. • Reset button is tripped. Depress Reset button. • Cover not closed. Close cover. • Proximity switch for cover malfunctioning. • Bad Timer. Check and replace if bad.
Unit runs, but not for ten (10) minutes.	<ul style="list-style-type: none"> • Timer improperly set. Remove Motor Cover and reset timer to 10 minutes. • Bad Timer. Check and replace if bad.

Torque Limiter Adjustment

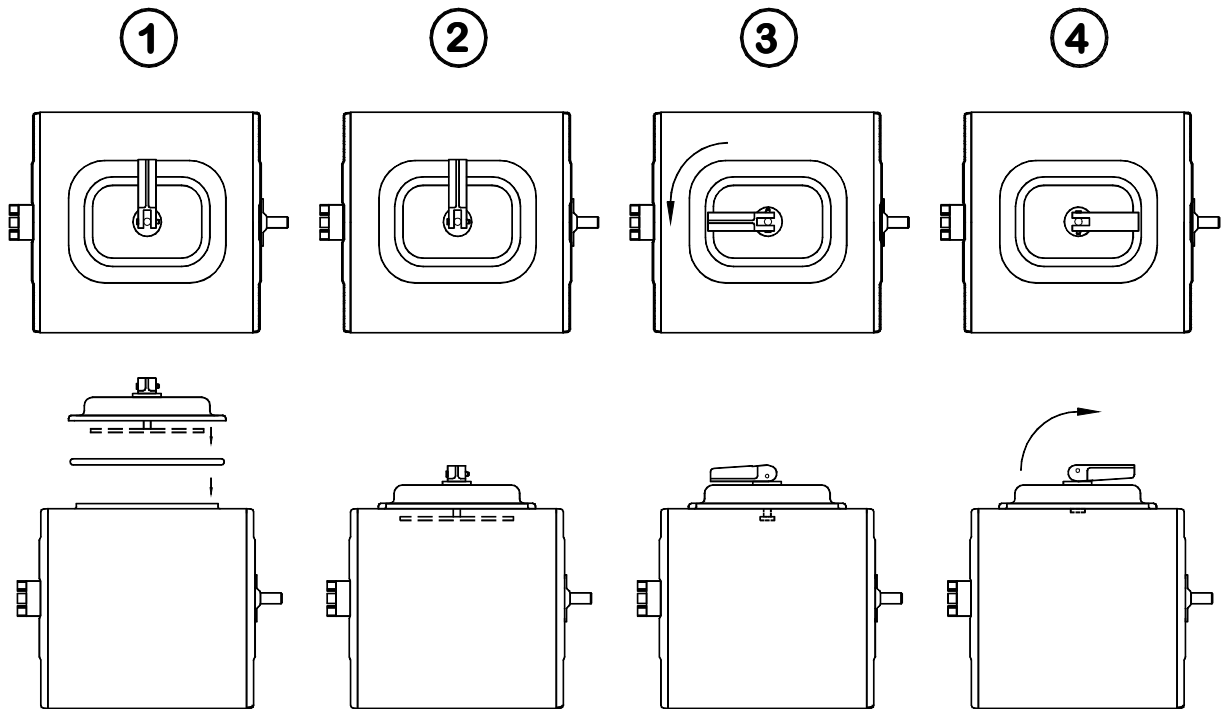
The Torque Limiter is factory set to 125 – 150 inch-lbs (14 - 17 N-m). During the life of your Marinator it may be necessary to adjust the Torque Limiter. This is usually a result of extended wear on the friction pads. This will be evident when the tank begins to show signs of inconsistent performance (e.g. jerking, slipping or will not turn at all). When this occurs, perform the steps outlined below to adjust the Torque Limiter:

1. Disconnect the marinator from the electrical power source.
2. Remove the Safety Covers and Motor Cover.
3. Bend the Locking Tabs up.
4. Hold the Coupling Shaft Assembly with pliers.
5. Tighten the Nut a ¼ turn.
6. Test the unit to see if tank will turn smoothly without any stopping or jerking.
7. If the tank does not turn smoothly, tighten Nut another ¼ turn and return to step 4.
8. If the tank turns smoothly, fold down locking tabs to secure nut.



➡ **CAUTION: Do not adjust the torque of the Torque Limiter to over 150 inch-lbs (17 N-m).**

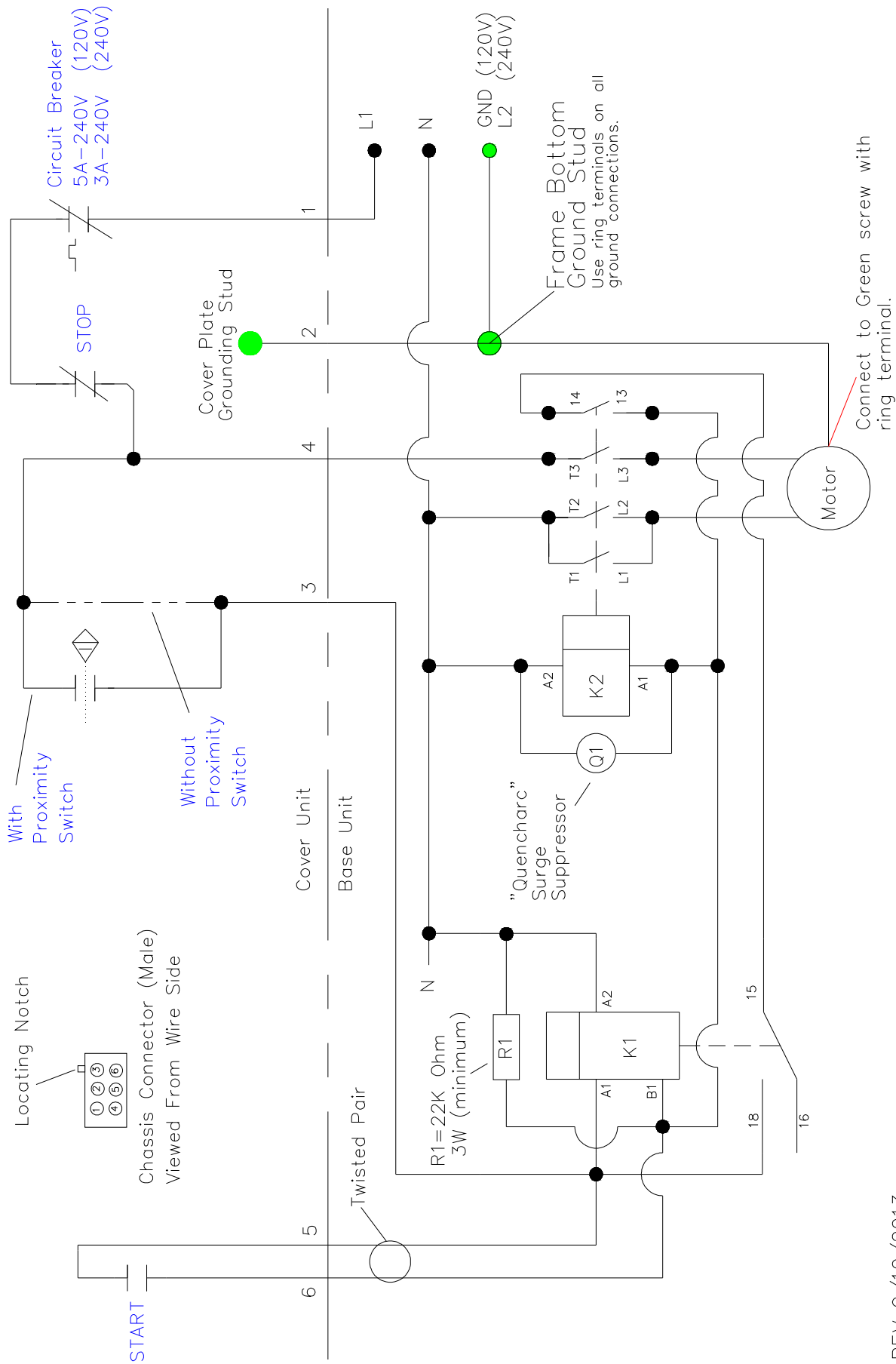
Lid to Tank Assembly



Tank Removal

1. Make sure casters are in the locked position.
2. Slide safety cover back into the open position.
3. Empty the tank of any contents.
4. Check to ensure that the lid is securely attached to the tank.
5. Firmly grab both ends of tank with hands.
6. Lift up on spindle (right hand) end of tank until it clears the white plastic bearing.
7. Slide the tank to the right until the couplings disengage.
8. Gently pull the tank forward until it is clear of the marinator frame.

Marinator Wiring Diagram for QMM-4, -4C, -4M, -DU (UL Listed), QMM-4E (CE Listed)

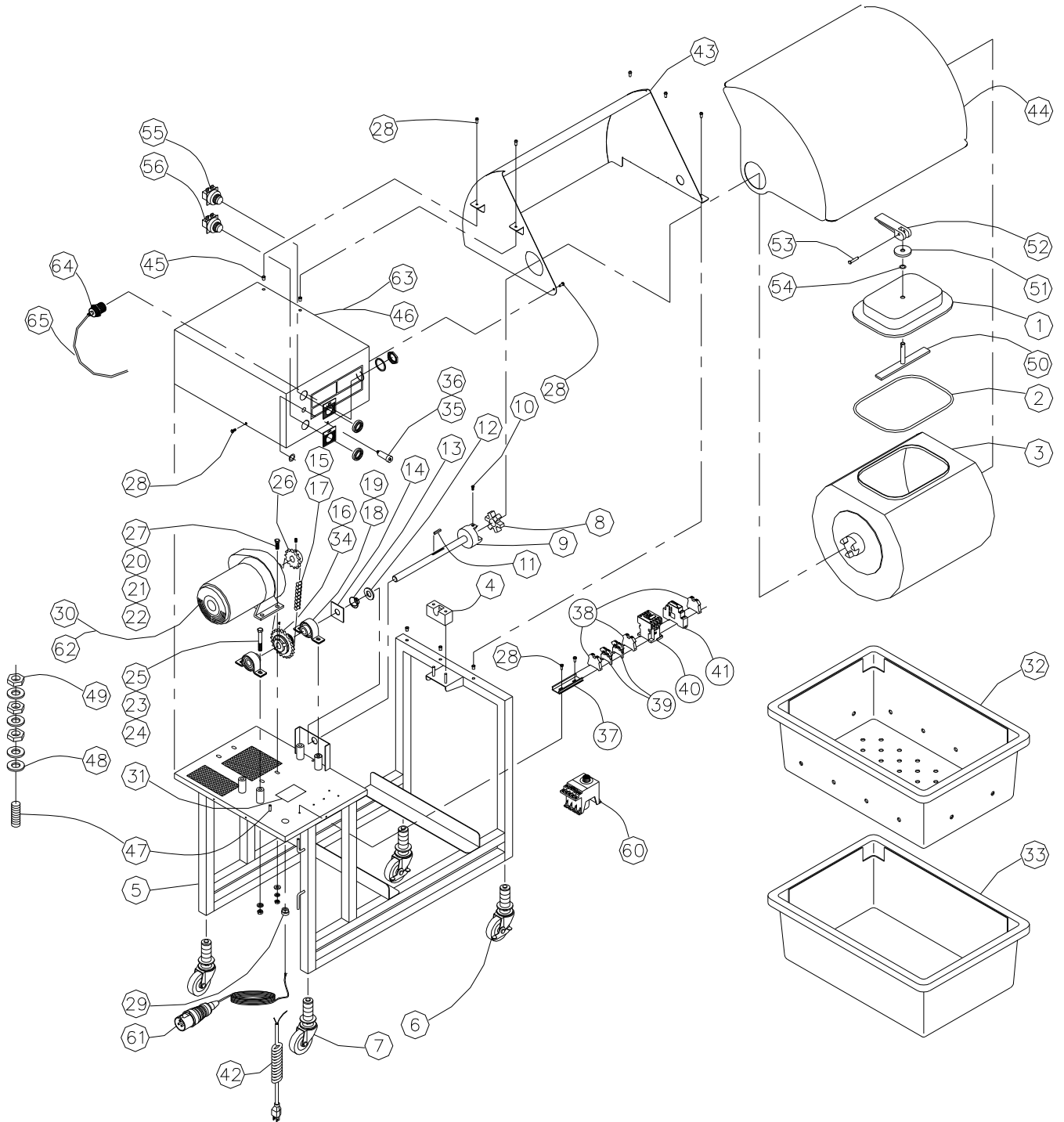


Marinator Parts List

Item	Part Number - Description
1	202414 – Door, Marinator – New-
2	902338 – O-Ring
3	200104 – Tank Sub Assembly
4	200108 – Bearing, Delrin Tank
5	200109 – Frame Assembly
6	900031 – Caster, 3 Brake Stem, Swivel
7	900032 – Caster, 3 Stem Swivel
8	900061 – Bearing, Spider
9	200122 – Assembly, Coupling and Shaft
10	902432 – Screw, 8/32 x ¼ S/S Machine
11	200125 – Key, Shaft
12	200126 – Seal, Shaft
13	900033 – Spring
14	200127 – Plate, Spring
15	900237 – Link, #40 Connecting
16	900039 – Bearing, Torque Limiter w/Set Screw
17	900041 – Chain, Roller ½ Pitch
18	900042 – Bearing, Pillow Block & 3/4
19	900042-1 – Housing, Pillow Block
20	902451 – Washer, Flat 5/16 S/S
21	902450 – Washer, Lock 5/16 S/S Split
22	902449 – Nut, S/S Hex Head 5/16-18
23	902459 – Washer, Lock 3/8 S/S
24	902460 – Nut, Hex 3/8-16 S/S
25	902433 – Bolt, Hex Head 3/8-16 x 2.50 S/S
26	900058 – Sprocket, ¾ Plated w/Set Screw
27	902434 – Bolt, Hex Head 5/16-18 x ¾” S/S
28	902431 – Screw, Mach 10-32 x ½ RH S/S
29	900053 – Bushing, Electric Restrainer
30	900063 – Motor, ¼ HP – 120V AC – (U.S. Model)
31	902225 – Label, Torque
32	200912 – Tray, Drain (w/holes)
33	900080 – Container, Polyethylene Max Box
34	900137 – Sprocket, Torque Limiter Plate
35	902226 – Circuit Protector, Hein KD-5 (Before 1/2002)

Item	Part Number - Description
36	902227 – Ring, Retainer – Hein KD-5 (Before 1/2002)
35	91F6100 – Breaker, T11-311-5.0 5 Amp Circuit (After 1/2002)
36	18C2994 – Boot, Pushbutton Breaker (After 1/2002)
37	202482 – Rail, Din
38	902409 – Stop, Din Rail
39	902410 – Terminal, Input Din Rail
40	YCIU-9A240 – Contactor (European Model)
40	YCIU-9A120 – Contactor (U.S. Model)
41	902621 – Timer, Finder Multi-voltage
42	200323 – Assembly, Power Cord – (U. S. Model)
43	202464 – Assembly, Outer Cover (European Model)
44	202478 – Assembly, Inner Cover (European Model)
45	AKA1-1032-130 – Insert, Nut (10-32) AL Flush (Euro. Model)
46	202380 – Housing, Marinator Motor (U.S. Model)
47	TFTS-305-101-208-376 – Stud, ¼-20 Weld
48	92141A029 – Washer, ¼” S/S .050” Flat
49	902452 – Nut, ¼-20 S/S Hex
50	202420 – Assembly, Marinator (New) Latch
51	200089 – Washer, Delrin Handle
52	200225 – Handle, Cam
53	12SS-07 – Pin, ¼ x 1.3 Quick Release
54	900035 – Washer, ½” I.D. Rubber
55	200400 – Kit, Stop Switch
56	200399 – Kit, Start Switch
57	202418 – Assembly, Door Lid (Items 1, 50 thru 54) - Not Shown
58	202381 – Assembly, Motor Housing (U.S. Model) - Not Shown
59	202480 – Assembly, Motor Housing (Euro. Model) - Not Shown
60	900054 – Timer, Electric 120V AC (U.S. Model)
61	88-309-IQ – Assembly, Cord, Power (European Model)
62	910210 – Motor, Marinator – 220V AC – (European Model)
63	202480 – Housing, Marinator Motor (European Model)
64	902480 – Switch, Proximity
65	KB3T-0.4-S90-S1981 – Cord, Proximity Switch
	64K9105 – Resistor, 25k Ohm (Not Shown)
	16F3700 – Suppressor, Surge (Not Shown)

Marinator Parts Diagram



Critical replacements part specifications

<u>Part No</u>	<u>Description</u>	<u>Manufacturer</u>	<u>Mfg Number</u>
902621	Timer	Finder	83.01.0.240.0000
YC1U-9A240	Contactora (240V)	Idec	YC1U-9A240
YC1U-9A120	Contactora (120 V)	Idec	YC1U-9A120
902480	Proximity Switch	Turck	BI15-G30-ADZ30X2-B3131
902481	Prox. Switch Cord	Turck	KB 3T-0.4/S90/1981
910210	Motor (230V/50Hz)	Klauber	K01302B100
900063	Motor (115V/60Hz)	Klauber	K01302A100
900039	Torque Limiter	Morse	250TL-3/4"



P.O. Box 7016 - 130 Jones Blvd.
LaVergne, TN 37086-7016
United States of America

EC-Declaration of conformity

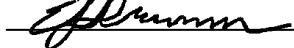
In accordance with

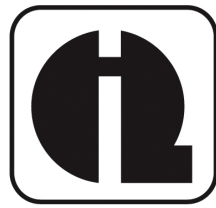
EC Machinery Directive 2006/42/EC
EC Electromechanical Compatibility Directive 2004/108/EC

We, Quality Industries, Inc, hereby declare that the product specified below fulfills all of the relevant requirements of EC Machinery Directive 2006/42/EC and EC Electromechanical Compatibility Directive 2004/108/EC.

Description:	MARINATOR
Model No.:	QMM-4E
Serial No.:	Each marinator has an identifiable serial number.

The party authorized to compile the technical file is: www.qualityind.com

Signed: 
Name: Ed Drumm
Function: Senior Product Engineer, Quality Industries, Inc
Date: LaVergne, TN (USA) 15 August, 2012



**Quality
Industries**

Precision Metal Fabrication

**ADOBADOR SERIE QMM-4
(todos los modelos)
Manual de funcionamiento**



**CLASIFICACIÓN C
459R**



ÚNICAMENTE PARA USO COMERCIAL

Servicio al cliente: 1-615-793-2250

GARANTÍA LIMITADA

QUALITY INDUSTRIES garantiza únicamente al comprador original que sus productos no tendrán defectos de material o mano de obra durante un período de un (1) año a partir de la fecha de envío. Si cualquier pieza de un producto de Quality Industries sufre un desperfecto durante este período debido a un defecto de fabricación, el comprador original debe notificar de inmediato al Departamento de Servicio al Cliente de QUALITY INDUSTRIES. Los reclamos deben enviarse a la siguiente dirección: QUALITY INDUSTRIES, 130 Jones Boulevard, P.O. Box 7016, LaVergne Tennessee 37086-7016. QUALITY INDUSTRIES se reserva el derecho a enviar a un representante de servicio a examinar el producto. Si después de una inspección, a criterio exclusivo de QUALITY INDUSTRIES, se demuestra que alguna pieza del producto ha sufrido un desperfecto debido a un defecto en los materiales o en la fabricación, QUALITY INDUSTRIES reparará o reemplazará, discrecionalmente, la pieza en cuestión sin cobrarle cargo alguno al comprador original. QUALITY INDUSTRIES no asumirá responsabilidad por ningún cargo sin que haya aprobación anticipada por escrito del Departamento de Servicio al Cliente.

Durante los primeros noventa (90) días del período de garantía, QUALITY INDUSTRIES se responsabilizará por cualquier costo necesario y razonable de mano de obra y transporte que se derive de la reparación o reemplazo del producto, previa aprobación por escrito del Departamento de Servicio al Cliente.

LIMITACIÓN DE DURACIÓN Y EXCLUSIÓN DE GARANTÍAS IMPLÍCITAS

CUALQUIER GARANTÍA IMPLÍCITA, ENTRE OTRAS, LAS GARANTÍAS DE COMERCIABILIDAD O DE IDONEIDAD PARA UN FIN EN PARTICULAR, QUE SURJAN DE LA VENTA DE UN PRODUCTO DE QUALITY INDUSTRIES TIENEN UNA DURACIÓN LIMITADA DE UN (1) AÑO, DESPUÉS DEL CUAL, SE BRINDAN ESTAS GARANTÍAS ESCRITAS EN LUGAR DE CUALQUIER GARANTÍA IMPLÍCITA DE COMERCIABILIDAD O IDONEIDAD PARA UN FIN EN PARTICULAR.

Algunos estados de los EE. UU. no admiten limitaciones a la duración de las garantías implícitas, por lo que las limitaciones mencionadas anteriormente no aplican en dicho caso.

QUALITY INDUSTRIES NO ASUMIRÁ NINGUNA RESPONSABILIDAD POR LOS DAÑOS IMPREVISTOS, ESPECIALES O EMERGENTES QUE DERIVEN DE LA VENTA O USO DE CUALQUIERA DE SUS PRODUCTOS.

Algunos estados de los EE.UU. no admiten la exclusión o limitación de daños imprevistos o emergentes, por lo que las limitaciones o exclusiones mencionadas anteriormente no aplican en dicho caso.

EXCLUSIONES

La presente garantía carece de aplicabilidad y QUALITY INDUSTRIES no asume ninguna responsabilidad en caso de que surjan daños debido a las siguientes situaciones:

4. La alteración de un producto de QUALITY INDUSTRIES.
5. El abuso o uso indebido de un producto de QUALITY INDUSTRIES.
6. La instalación incorrecta de un producto de QUALITY INDUSTRIES.

Las reparaciones o modificaciones que se realicen a cualquier pieza o al montaje de un producto de QUALITY INDUSTRIES sin la autorización por escrito de dicha empresa invalidarán la presente garantía.

RETIRADA DE PRODUCTOS DEL MERCADO

QUALITY INDUSTRIES se reserva el derecho de solicitar la devolución de cualquier pieza o producto que se reclame como defectuoso de acuerdo con los términos y condiciones de la presente garantía. Dicha devolución debe contar primero con la aprobación por escrito del Departamento de Servicio al Cliente y se enviará con los gastos de transporte prepagados mediante la empresa transportista designada por dicho departamento. Los gastos de transporte se acreditarán al cliente si la devolución se realiza dentro del plazo de los primeros noventa (90) días de la presente garantía.

Quality Industries Inc

CONDICIONES GENERALES

ESTAS GARANTÍAS SE OFRECEN EN LUGAR DE OTRAS GARANTÍAS EXPRESAS. QUALITY INDUSTRIES NO AUTORIZA A NINGUNA PERSONA A HACER DECLARACIONES EN SENTIDO CONTRARIO EN RELACIÓN CON LA VENTA O LA INSTALACIÓN DE UNO DE SUS PRODUCTOS.

Las garantías le otorgan derechos específicos al usuario, quien también goza de otros derechos que varían de estado a estado.

La presente garantía se puede modificar únicamente previo acuerdo por escrito que deberá firmar un director de QUALITY INDUSTRIES.

Índice

Sección	Página
Garantía limitada	2
Información de seguridad general	4
Advertencias	4
Instrucciones de limpieza y desinfección	5
Instrucciones de funcionamiento	5
Configuración del temporizador Finder	6
Mantenimiento	6
Detección y solución de problemas	7
Ajuste del limitador del par motor	8
Colocación de la tapa en el depósito	8
Extracción del depósito	9
Diagrama del cableado FMA015	10
Lista de las piezas del adobador	11
Diagrama de las piezas del adobador	12
Especificación de las piezas de replazo importantes	13
Notas	15

Información de seguridad general

POSIBLE PELIGRO	EFECTO	PREVENCIÓN
Piezas móviles y giratorias	Pueden provocar lesiones graves.	No manipular la unidad en ningún momento sin las tapas de seguridad instaladas o si los dispositivos de seguridad no están funcionando adecuadamente.
Choque eléctrico	Puede provocar lesiones graves o incluso la muerte.	Desconectar el adobador de la corriente eléctrica antes de realizar cualquier tarea de limpieza, mantenimiento o reparación.

Advertencias

- ☛ El adobador QMM-4 está diseñado y se vende para uso comercial únicamente. Cualquier aplicación del equipo que no sea para adobar alimentos con un uso comercial queda prohibido e invalidará cualquier garantía.
- ☛ Desconecte siempre el adobador de la corriente eléctrica antes de realizar cualquier tarea de limpieza, mantenimiento o reparación.

- Colocar el cable de corriente para que cuelgue con forma de curva por debajo del enchufe evitará que los líquidos se desplacen por el cable hasta el enchufe mientras el equipo está conectado a una fuente de energía eléctrica durante su funcionamiento.
- Limpie el equipo con una toalla y solución limpiadora o desinfectante. **NO USE UNA MANGUERA O LAVADORA A PRESIÓN PARA LIMPIAR EL ADOBADOR.**
- **NO LUBRIQUE LOS SOPORTES EN LA PARTE EXTERIOR DE LA TAPA DEL MOTOR.**
- Use únicamente lubricantes aptos para entrar en contacto con alimentos cuando lubrique las ruedecillas y la cadena de transmisión.

- **PRECAUCIÓN:** Existe riesgo de choque eléctrico. **NO** opere ni almacene este equipo en un ambiente refrigerado.
- **PRECAUCIÓN:** Existe riesgo de contaminación de los alimentos. **NO** use este producto para ninguna aplicación que no tenga que ver con alimentos.
- **PRECAUCIÓN:** Existe riesgo de daño al enclavamiento de seguridad. **NO** opere este equipo si el depósito está en contacto con la tapa.

- **AVISO:** Las emisiones de nivel de presión acústica con ponderación A no superan los 70 dB(A) durante el funcionamiento.

Instrucciones de limpieza y desinfección

DESPUÉS DEL CICLO DE ADOBADO:

- Quite la tapa, la junta, el depósito, la bandeja escurridora y la agarradera y lleve dichas piezas al fregadero.
- Enjuague las piezas y limpie empleando el método de tres pasos descrito en el *manual de funcionamiento* de KFC.
- Vuelva a colocar el depósito en el armazón del adobador y déjelo secar en posición boca abajo hasta que lo vuelva a usar.
- Deje secar también la tapa, la junta, la bandeja escurridora y la agarradera.

AL FINAL DEL DÍA O CUANDO HAYA TERMINADO DE USAR EL ADOBADOR:

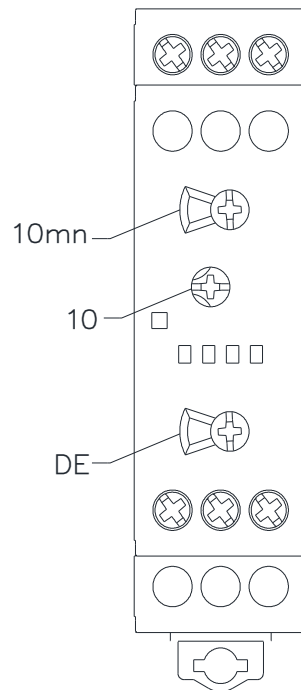
- Repita los pasos mencionados anteriormente. Sin embargo, quite la tapa para limpiar a profundidad.
- Desconecte el adobador y limpie toda la estructura (incluso las ruedecillas) con una toalla limpia y húmeda con una solución de limpieza o desinfectante. Deje secar. (**IMPORTANTE:** **NO** limpie con manguera la cubierta del motor o las rejillas de ventilación debajo del adobador dado que el agua puede dañar los componentes eléctricos.)
- Vuelva a colocar la tapa después de que las piezas se hayan secado por completo.

Instrucciones de funcionamiento

- Prepare el adobo de acuerdo con las instrucciones del *manual de funcionamiento* de KFC.
- Coloque el pollo y el adobo en el depósito.
- Coloque la tapa en posición (véase la sección Colocación de la tapa en el depósito en la página 7):

- La junta tórica de goma debe estar bien ajustada alrededor del borde de la abertura del depósito.
- Sostenga la tapa por el mango y coloque la barra de bloqueo en sentido paralelo a la tapa.
- Coloque la tapa en la abertura del depósito y presione hacia abajo para que se cierre bien.
- Gire el mango en sentido paralelo a la tapa y presiónelo hacia abajo contra la tapa para mover la barra de bloqueo.
- Ponga el depósito boca abajo para comprobar que no haya fugas.
- Oprima el botón negro "Start" (Encender) para comenzar el proceso de adobado.
- **IMPORTANTE:** Si por algún motivo debe apagar el adobador, pulse el botón rojo "Stop" (Apagar) que está en la parte delantera del adobador arriba del botón negro "Start". Sin embargo, no detenga el proceso de adobado, salvo en caso de emergencia. Una vez apagado, el temporizador se reiniciará automáticamente para acabar el ciclo completo. Al final del ciclo, quite la tapa y coloque el depósito con la tapa boca abajo para que el producto adobado caiga en la bandeja escurridora por encima de la agarradera. Escorra y vuelva a guardar el pollo en una bolsa de acuerdo con las instrucciones que figuran en el manual de operaciones de KFC.

Configuración del temporizador



Use un destornillador pequeño para ajustar los conmutadores según se muestra en la imagen.

Mantenimiento

El adobador QMM-4E está diseñado para que prácticamente no sea necesario realizarle un mantenimiento. Sin embargo, se recomienda hacer las siguientes revisiones periódicas.

Asegúrese siempre de que la unidad esté desconectada de la corriente eléctrica antes de realizar cualquier tarea de mantenimiento o revisión.

- 3) Fíjese si los cables eléctricos tienen roturas o cortes y, en caso de ser necesario, repárelos o cámbielos.
- 4) Lubrique las ruedecillas en caso de ser necesario para asegurarse de que la unidad gire sin problemas y para evitar fallos antes de tiempo.
- 4) Quite la cubierta del motor y fíjese en las siguientes piezas para asegurarse de que no estén excesivamente dañadas. De ser así, cámbielas.
 - Soporte de varios brazos: pieza 8 en el diagrama
 - Retén del eje y muelle: piezas 12 y 13 respectivamente en el diagrama
 - Arandela del mango del depósito: pieza 51 en el diagrama
 - Arandela de goma: pieza 54 en el diagrama
 - Junta tórica de la tapa del depósito: pieza 2 en el diagrama
 - Cadena de transmisión: pieza 17 en el diagrama
- 7) Revise la cadena de transmisión (pieza 17) para asegurarse de que esté debidamente lubricada. De ser necesario, lubríquela un poco con aceite ligero y apto para el contacto con alimentos a fin de asegurarse de que el adobador no haga ruido.
- 8) Vuelva a colocar la cubierta del motor en la unidad. Coloque una gota pequeña de sellador de silicona apto para el contacto con alimentos entre los extremos inferiores de la cubierta del motor y el armazón para que se cierre bien.
- 9) Mantenga el adobador QMM-4E en buen estado limpiándolo periódicamente con un pulidor o producto de limpieza para acero inoxidable.

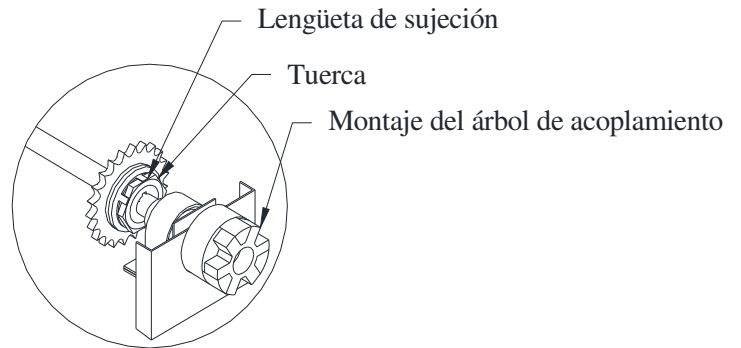
Detección y solución de problemas

Problema	Solución
El motor funciona, pero el depósito no gira.	<ul style="list-style-type: none"> • Ajuste el limitador del par motor (véase la sección <i>Cómo ajustar el limitador del par motor</i>)
La unidad funciona solo cuando el botón "Start" se oprime continuamente.	<ul style="list-style-type: none"> • El interruptor de apagado no funciona. Revíselo y cámbielo en caso de que esté roto. • El temporizador no funciona. Revíselo y cámbielo en caso de que esté roto.
La unidad no funciona.	<ul style="list-style-type: none"> • Revise el cable de corriente. Asegúrese de que el cable de corriente esté conectado y que no esté dañado. • El botón de reajuste está activado. Púlselo. • La cubierta está abierta. Ciérrela. • El conmutador de proximidad de la cubierta funciona mal. • El temporizador no funciona. Revíselo y cámbielo en caso de que esté roto.
La unidad funciona, pero no durante 10 minutos.	<ul style="list-style-type: none"> • El temporizador está desajustado. Quite la cubierta del motor y reajuste el temporizador para 10 minutos. • El temporizador no funciona. Revíselo y cámbielo en caso de que esté roto.

Ajuste del limitador del par motor

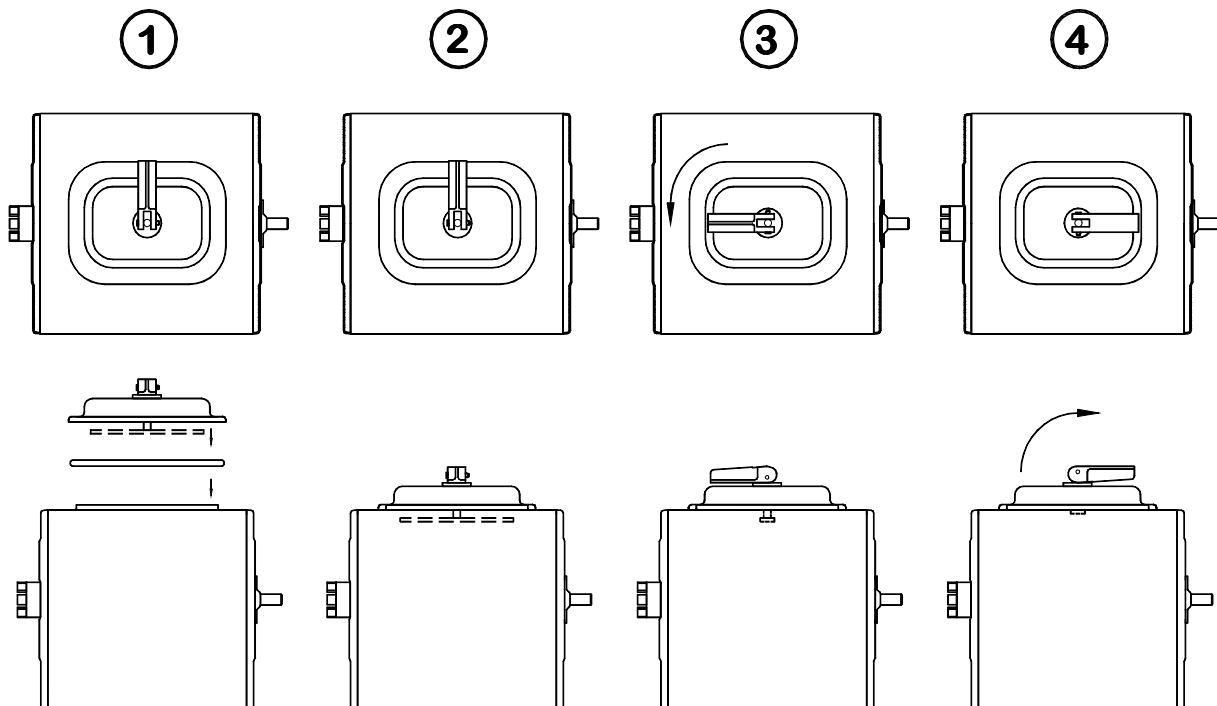
El limitador del par motor viene configurado con las opciones de fábrica a 125 – 150 pulgadas-libras (14 - 17 N-m). Durante la vida útil del adobador, es posible que haya que reajustar el limitador del par motor. Por lo general, esto se debe al desgaste acumulado en las almohadillas de fricción. Se dará cuenta de esto cuando el depósito comience a funcionar irregularmente (por ej., cuando se mueva bruscamente, se deslice o no gire). Cuando esto ocurra, realice los pasos descritos a continuación para ajustar el limitador del par motor.

9. Desconecte el adobador de la corriente eléctrica.
10. Quite las tapas de seguridad y la cubierta del motor.
11. Doble las lengüetas de sujeción hacia arriba.
12. Sostenga el montaje del árbol de acoplamiento con alicates.
13. Ajuste la tuerca un cuarto de la capacidad.
14. Ponga en marcha la unidad para comprobar que el depósito gire sin detenerse o moverse bruscamente.
15. Si el depósito no gira sin problemas, ajuste la tuerca otro cuarto de la capacidad y vuelva a repetir el paso 4.
16. Si el depósito gira sin problemas, doble las lengüetas de sujeción hacia abajo para fijar la tuerca.



➤ **PRECAUCIÓN:** No ajuste el par motor del limitador a más de 150 pulgadas-libras (17 N-m).

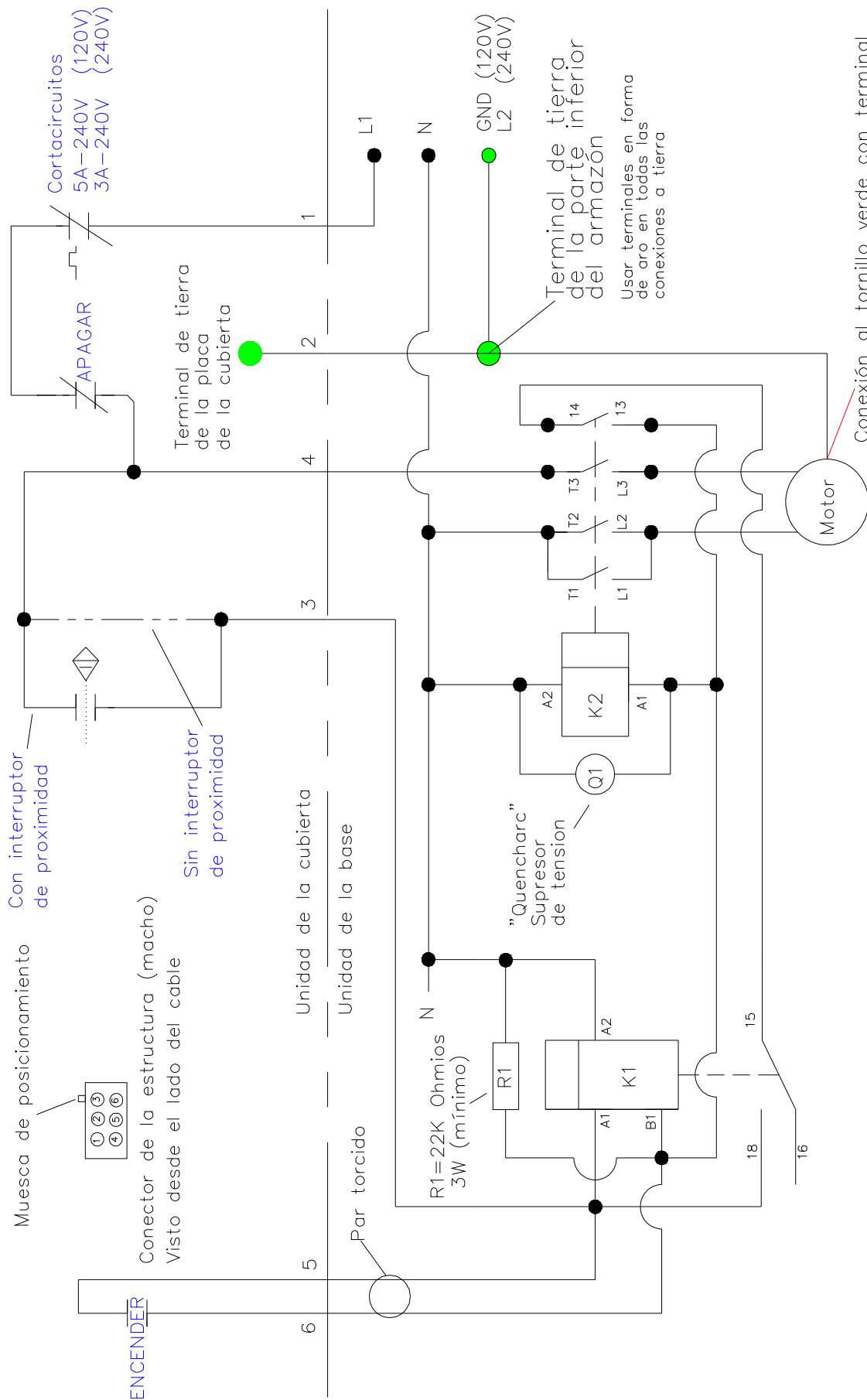
Colocación de la tapa en el depósito



Extracción del depósito

1. Asegúrese de que las ruedecillas estén inmovilizadas.
2. Deslice la tapa de seguridad a la posición de apertura.
3. Vacíe el depósito.
4. Asegúrese de que la tapa esté bien sujeta al depósito.
5. Agarre firmemente ambos extremos del depósito con las manos.
6. Levante del extremo del eje del depósito (mano derecha) hasta desprender el soporte de plástico blanco.
7. Deslice el depósito a la derecha hasta que las uniones se desprendan.
8. Retire suavemente el depósito hacia adelante hasta que se desprenda del armazón del adobador.

Diagrama de cableado del marinador para QMM-4, -4C, -DU (con clasificación UL), QMM-4E (con clasificación CE)



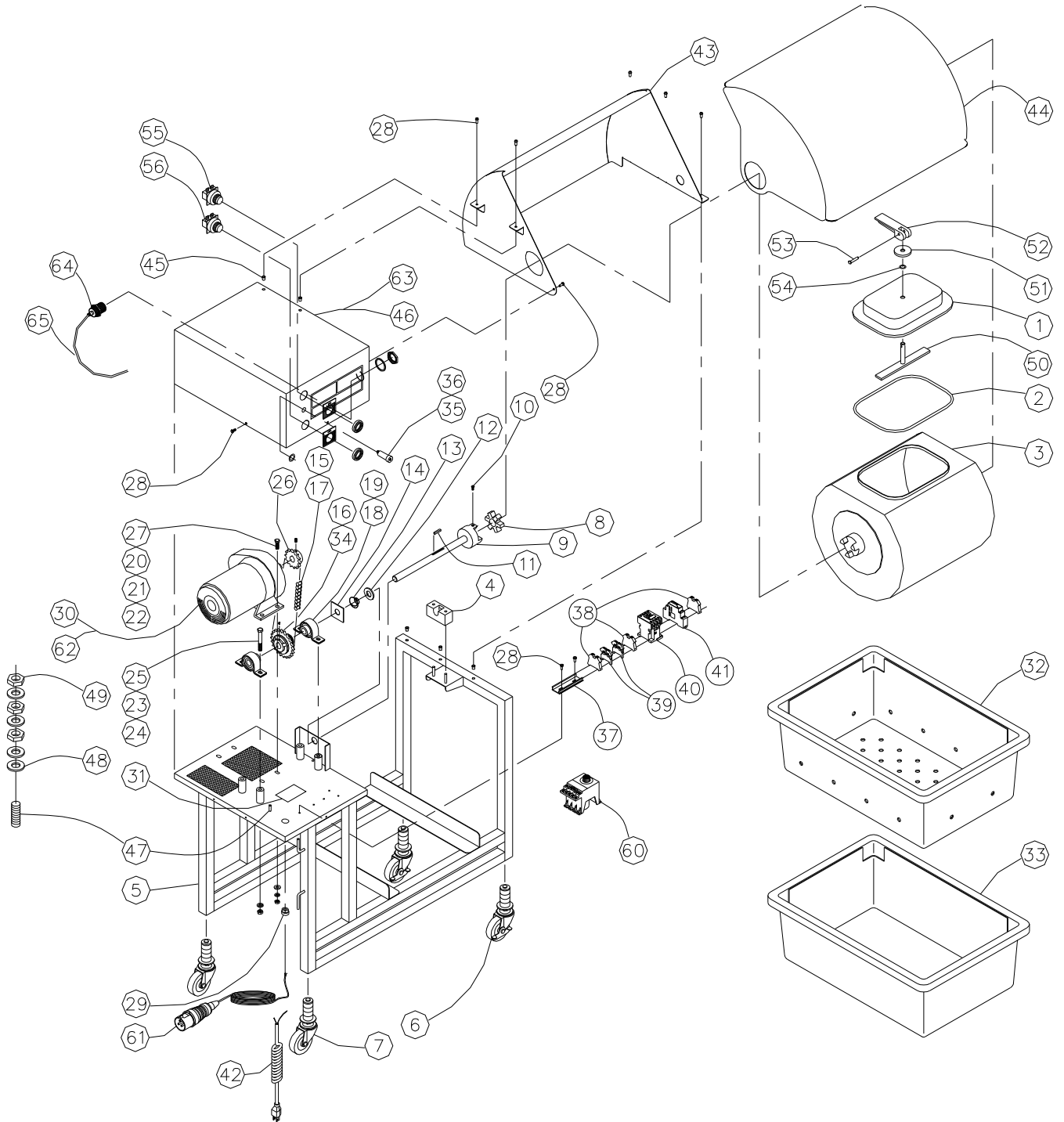
REV 9/10/2013

Lista de las piezas del adobador

Artículo	Número y descripción de la pieza
1	202414 – puerta, adobador (nuevo)
2	902338 – junta tórica
3	200104 – premontaje del depósito
4	200108 – soporte, depósito Delrin
5	200109 – montaje del armazón
6	900031 – ruedecillas giratorias de triple pie con freno
7	900032 – ruedecillas giratorias de triple pie
8	900061 – soporte de varios brazos
9	200122 – acoplamiento del árbol del montaje
10	902432 – tornillo, máquina S/S de 8/32 x ¼
11	200125 – llave del eje
12	200126 – retén del eje
13	900033 – muelle
14	200127 – placa, muelle
15	900237 – enlace, conexión #40
16	900039 – soporte, limitador del par motor con tornillo fijo
17	900041 – cadena, ruedecilla de ½ distancia
18	900042 – cojinete de 3/4
19	900042-1 – cubierta, cojinete
20	902451 – arandela plana 5/16 S/S
21	902450 – arandela abierta 5/16 S/S
22	902449 – tuerca de cabeza hexagonal S/S 5/16-18
23	902459 – arandela abierta 3/8 S/S
24	902460 – tuerca hexagonal 3/8-16 S/S
25	902433 – perno de cabeza hexagonal 3/8-16 x 2.50 S/S
26	900058 – rueda de espigas, ¾ laminada con tornillo fijo
27	902434 – perno de cabeza hexagonal 5/16-18 x ¾ pulg. S/S
28	902431 – tornillo, Mach 10-32 x ½ RH S/S
29	900053 – buje, inhibidor eléctrico
30	900063 – motor, ¼ C.V. –120V C.A. –(modelo estadounidense)
31	902225 – etiqueta, par motor
32	200912 – bandeja escurridora (con orificios)
33	900080 – recipiente de polietileno
34	900137 – Rueda de espigas, placa del limitador del par motor
35	902226 – protector de circuito, Hein KD-5 (antes del 1/2002)

Artículo	Número y descripción de la pieza
36	902227 – junta, retenedor – Hein KD-5 (antes del 1/2002)
35	91F6100 – disyuntor, T11-311-5.0 circuito de 5 amperios (después del 1/2002)
36	18C2994 – arranque, disyuntor de reposición por botón (después del 1/2002)
37	202482 – carril DIN
38	902409 – retén, carril DIN
39	902410 – terminal, carril DIN de entrada
40	YCIU-9A240 – contactor (modelo europeo)
40	YCIU-9A120 – contactor (modelo estadounidense)
41	902621 – temporizador Finder de multivoltaje
42	200323 – montaje, cable de corriente –(modelo estadounidense)
43	202464 – cubierta externa del montaje (modelo europeo)
44	202478 – cubierta interna del montaje (modelo europeo)
45	AKA1-1032-130 – insertar, tuerca (10-32) AL Flush (modelo europeo)
46	202380 – cubierta, motor del adobador (modelo estadounidense)
47	TFTS-305-101-208-376 – perno soldado ¼-20
48	92141A029 – arandela plana de ¼” S/S .050”
49	902452 – tuerca hexagonal de ¼-20 S/S
50	202420 – montaje, pestillo del adobador (nuevo)
51	200089 – arandela, mango Delrin
52	200225 – mango, leva
53	12SS-07 – clavija Quick Release, ¼ x 1.3
54	900035 – arandela de goma, I.D. ½ pulg.
55	200400 – equipo, interruptor de apagado
56	200399 – equipo, interruptor de encendido
57	202418 – montaje, tapa de la puerta (artículos 1, 50 a 54) - no se muestran.
58	202381 – montaje, cubierta del motor (modelo estadounidense) - no se muestra
59	202480 – montaje, cubierta del motor (modelo europeo) - no se muestra
60	900054 – temporizador eléctrico 120V C.A. (modelo estadounidense)
61	88-309-IQ – montaje, cable de corriente (modelo europeo)
62	910210 – motor del adobador – 220V C.A. – (modelo europeo)
63	202480 – cubierta, motor del adobador (modelo europeo)
64	902480 – conmutador de proximidad
65	KB3T-0.4-S90-S1981 – cable, conmutador de proximidad
	64K9105 – resistor, 25k ohmios (no se muestra)
	16F3700 – supresor de tensión (no se muestra)

Diagrama de las piezas del adobador



Especificaciones de las piezas de remplazo importante

<u>Parte N°.</u>	<u>Descripción</u>	<u>Fabricante</u>	<u>Número de fabricación</u>
902621	Temporizador	Finder	83.01.0.240.0000
YC1U-9A240	Contactador (240V)	Idec	YC1U-9A240
YC1U-9A120	Contactador (120 V)	Idec	YC1u-9A120
902480	Conmutador de proximidad	Turck	BI15-G30-ADZ30X2-B3131
902481	Cable del conmutador de proximidad	Turck	KB 3T-0.4/S90/1981
910210	Motor (230V/50Hz)	Klauber	K01302B100
900063	Motor (115V/60Hz)	Klauber	K01302A100
900039	Limitador del par motor	Morse	250TL-3/4"



P.O. Box 7016 - 130 Jones Blvd.
LaVergne, TN 37086-7016
Estados Unidos de América

Declaración de conformidad de la Unión Europea

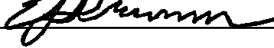
De acuerdo con

La directiva comunitaria 2006/42/EC relativa a máquinas Directiva comunitaria de compatibilidad electromagnética 2004/108/EC

Quality Industries, Inc, declara por el presente que el producto que se especifica a continuación cumple con todos los requisitos pertinentes de la directiva 2006/42/EC de la Unión Europea que refiere a la compatibilidad electromagnética de las máquinas.

Descripción:	ADOBADOR
Número de modelo:	QMM-4E
Número de serie:	Cada adobador tiene un número de serie determinado.

La parte autorizada a compilar el archivo técnico es: www.qualityind.com

Firma:	
Nombre:	Ed Drumm
Función:	Ingeniero ejecutivo de productos, Quality Industries, Inc
Fecha:	LaVergne, TN (EE.UU) 15 de agosto de 2012



MARINATOR, série QMM-4 (tous modèles) Manuel de fonctionnement



AGRÉÉ c
459R



UNIQUEMENT POUR USAGE COMMERCIAL

Service après-vente : appelez le 1-615-793-2250

GARANTIE LIMITÉE

QUALITY INDUSTRIES garantit à l'acheteur original seulement que ses produits ne comportent ni défauts de matériaux ni vices de fabrication pendant une période de (1) an à compter de la date d'expédition. Si une partie quelconque d'un produit de Quality Industries est jugée défectueuse pendant cette période en raison d'un vice de fabrication, l'acheteur original doit notifier immédiatement le Département de service à la clientèle de QUALITY INDUSTRIES. Les réclamations doivent être envoyées à l'adresse suivante : QUALITY INDUSTRIES, 130 Jones Boulevard, P.O. Box 7016, LaVergne, Tennessee 37086-7016. QUALITY INDUSTRIES se réserve le droit d'envoyer un représentant du service à la clientèle pour examiner son produit. Si l'examen, de l'avis exclusif de QUALITY INDUSTRIES, révèle qu'une partie quelconque de son produit est défectueuse en raison d'un défaut de matériau ou d'un vice de fabrication, QUALITY INDUSTRIES, à son choix, réparera ou remplacera la pièce défectueuse sans frais pour l'acheteur original. Aucune responsabilité pour de quelconques dépenses ne sera acceptée par QUALITY INDUSTRIES sans l'approbation écrite préalable de son Département de service à la clientèle. Pendant les quatre-vingt-dix (90) premiers jours de la période de garantie, QUALITY INDUSTRIES, moyennant l'approbation écrite préalable de son Département de service à la clientèle, assumera la responsabilité de tous les frais de main-d'œuvre et de transport nécessaires et raisonnables associés à la réparation ou au remplacement.

LIMITATION DE DURÉE ET EXCLUSION DES GARANTIES IMPLICITES

TOUTES LES GARANTIES IMPLICITES, Y COMPRIS LES GARANTIES DE QUALITÉ MARCHANDE OU D'ADÉQUATION À UN BUT PARTICULIER, RÉSULTANT DE LA VENTE D'UN PRODUIT DE QUALITY INDUSTRIES SONT LIMITÉES À UNE DURÉE D'UN (1) AN. APRÈS CETTE DATE, CES GARANTIES ÉCRITES SONT OFFERTES À LA PLACE DE TOUTES GARANTIES IMPLICITES DE QUALITÉ MARCHANDE OU D'ADÉQUATION À UN BUT PARTICULIER.

Étant donné que certains États ne permettent pas de limiter la durée d'une garantie implicite, il est possible que les limitations ci-dessus ne s'appliquent pas à vous.

QUALITY INDUSTRIES N'ASSUMERA AUCUNE RESPONSABILITÉ EN CAS DE DOMMAGES INDIRECTS, SPÉCIAUX OU SECONDAIRES RÉSULTANT DE LA VENTE OU DE L'UTILISATION DE L'UN QUELCONQUE DE SES PRODUITS.

Étant donné que certains États ne permettent pas d'exclure ou de limiter les dommages indirects ou secondaires, il est possible que les limitations ou exclusions ci-dessus ne s'appliquent pas à vous.

EXCLUSIONS

Cette garantie ne s'applique pas, et QUALITY INDUSTRIES n'assume aucune responsabilité, en cas de préjudices résultant de :

7. L'altération d'un produit de QUALITY INDUSTRIES.
8. L'utilisation abusive ou inappropriée d'un produit de QUALITY INDUSTRIES.
9. L'installation incorrecte d'un produit de QUALITY INDUSTRIES.

Toute réparation et/ou modification d'un composant ou ensemble quelconque d'un produit de QUALITY INDUSTRIES sans le consentement écrit de QUALITY INDUSTRIES annulera la présente garantie.

RAPPEL DE PRODUITS

QUALITY INDUSTRIES se réserve le droit de demander le retour de toute pièce ou de tout produit allégué défectueux selon les termes de la présente garantie. Un tel retour devra avoir été approuvé préalablement par écrit par notre Département de service à la clientèle et être envoyé en port payé en utilisant les services du transporteur désigné par le Département de service à la clientèle. Les frais de transport seront crédités au client si le retour a lieu dans les quatre-vingt-dix (90) premiers jours de cette Garantie.

CONDITIONS GÉNÉRALES

CES GARANTIES SE SUBSTITUENT À TOUTES LES AUTRES GARANTIES EXPRESSES. QUALITY INDUSTRIES N'AUTORISE PERSONNE À FAIRE DES DÉCLARATIONS CONTRAIRES EN LIAISON AVEC LA VENTE OU L'INSTALLATION D'UN PRODUIT DE QUALITY INDUSTRIES.

Les Garanties vous confèrent des droits légaux spécifiques, et vous pouvez également disposer d'autres droits en fonction de l'État où vous résidez.

Cette Garantie ne peut être modifiée que par un accord écrit préalable devant être signé par un membre de la direction de QUALITY INDUSTRIES.

Table des matières

Section	Page
Garantie limitée	2
Consignes générales de sécurité	3
Avertissements	3
Instructions de nettoyage et de désinfection	4
Mode d'emploi	4
Réglage de la minuterie Finder	5
Entretien	5
Dépannage	6
Réglage du limiteur de couple	6
Montage du couvercle sur la cuve	7
Retrait de la cuve	7
Schéma de câblage FMA015	8
Liste des pièces du Marinator	9
Schéma des pièces du Marinator	10
Spécifications des pièces critiques	11
Notes	12

Consignes générales de sécurité

DANGER POTENTIEL	EFFET	PRÉVENTION
Pièces mobiles et tournantes	Peuvent entraîner des blessures graves.	N'utilisez jamais l'appareil si les couvercles de sécurité ne sont pas en place ou si les dispositifs de sécurité ne fonctionnent pas correctement.
Choc électrique	Peut entraîner des blessures graves, voire la mort.	Débranchez la machine à mariner avant d'effectuer tout travail de nettoyage, d'entretien ou de réparation.

Avertissements

- ☞ Le Marinator QMM-4 est conçu et vendu uniquement pour un usage commercial. L'utilisation de cet appareil à des fins autres que la marinade d'aliments dans un cadre commercial est interdite et entraînera l'annulation de toutes les garanties.
- ☞ Débranchez toujours la machine à mariner avant de réaliser tout travail de nettoyage, d'entretien ou de réparation.
- ☞ En laissant le câble d'alimentation former une boucle d'égouttement sous la prise de courant, vous empêcherez les liquides de dégoutter le long de ce câble jusque dans la prise de courant quand l'appareil est branché et en cours d'utilisation.
- ☞ Nettoyez l'appareil en l'essuyant avec un torchon et une solution de nettoyage/désinfection. **NE NETTOYEZ PAS LE MARINATOR AU MOYEN D'UN TUYAU D'ARROSAGE OU D'UN NETTOYEUR HAUTE PRESSION.**

- **NE LUBRIFIEZ AUCUN DES ROULEMENTS SUR LA SURFACE EXTÉRIEURE DU COUVERCLE DU MOTEUR.**
- **N'utilisez que des lubrifiants pour contact alimentaire fortuit lorsque vous lubrifiez les roulettes et la chaîne d'entraînement.**

- **MISE EN GARDE :** Risque de choc électrique. **NE** rangez **PAS** et **N'utilisez PAS** cet appareil dans un endroit réfrigéré.
- **MISE EN GARDE :** Risque de contamination de denrées alimentaires. Ce produit **NE** doit **PAS** servir à des opérations autres que sur des denrées alimentaires.
- **MISE EN GARDE :** Risque d'endommagement du système de verrouillage de sécurité. **NE** faites **PAS** fonctionner cet appareil si la cuve entre en contact direct avec le couvercle.

- **NOTIFICATION :** Le niveau de pression acoustique d'émission pondéré A ne dépasse pas 70 dB(A) quand l'appareil est en marche.

Instructions de nettoyage et de désinfection

APRÈS CHAQUE CYCLE DE MARINADE :

- Retirez le couvercle, le joint d'étanchéité, la cuve, le bac de vidange et la vis de vidange, puis placez-les dans l'évier.
- Rincez les pièces avant de les nettoyer en utilisant la méthode à 3 étapes décrite dans votre *Mode d'emploi* KFC.
- Remettez la cuve sur le châssis de la machine à mariner et laissez sécher à l'air avec le couvercle abaissé jusqu'à la prochaine utilisation.
- Laissez le couvercle, le joint d'étanchéité, le bac de vidange et la vis de vidange sécher à l'air.

EN FIN DE JOURNÉE OU APRÈS AVOIR TERMINÉ TOUTES LES MARINADES :

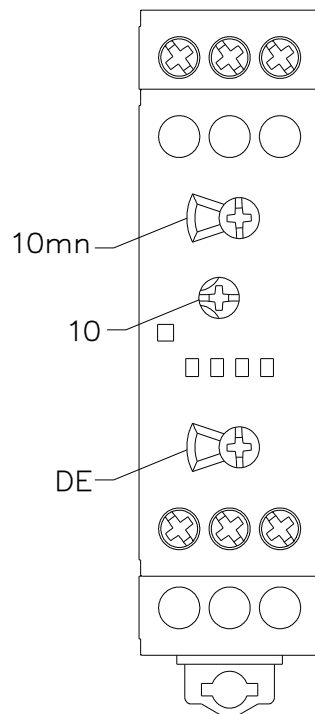
- Suivez les étapes décrites ci-dessus, mais cette fois-ci, désassemblez aussi le couvercle pour le nettoyer soigneusement.
- Débranchez la machine à mariner et essuyez tout le châssis de l'appareil (y compris les roulettes) au moyen d'un torchon propre imbibé d'une solution de nettoyage/désinfection. Laissez sécher à l'air. (**NOTA** : **NE** lavez **PAS** le boîtier du moteur ou les événements sous la machine à mariner avec un jet d'eau ; cela pourrait endommager les éléments électriques).
- Réassemblez le couvercle une fois que les pièces auront complètement séché à l'air.

Mode d'emploi

- Préparez la marinade selon les instructions de votre *Mode d'emploi* KFC.
- Placez le poulet et la marinade dans la cuve.
- Fermez bien le couvercle (reportez-vous à la section de la page 7 intitulée Montage du couvercle sur la cuve) :
 - Le joint d'étanchéité en caoutchouc doit être bien ajusté autour du rebord de l'ouverture de la cuve.
 - Tenez le couvercle par la poignée et mettez la barre de verrouillage en position parallèle par rapport à la longueur du couvercle.

- Placez le couvercle sur l'ouverture de la cuve et appuyez dessus pour assurer une fermeture hermétique.
- Tournez la poignée, toujours en position parallèle à la longueur du couvercle, et poussez-la contre le couvercle pour enclencher la barre de verrouillage.
- Mettez la cuve à l'envers afin de vérifier qu'il n'y a pas de fuites.
- Appuyez sur le bouton noir « Start » pour commencer le processus de production de la marinade.
- REMARQUE : Si vous devez éteindre la machine à mariner pour une raison quelconque, appuyez sur le bouton rouge « Stop » situé sur le devant de la machine au-dessus du bouton noir « Start ». Cependant, n'arrêtez la machine à mariner qu'en cas d'urgence. Une fois l'appareil éteint, la minuterie sera automatiquement remise à zéro pour refaire un cycle complet. À la fin du cycle, retirez le couvercle et inclinez la cuve vers le bas en la faisant rouler pour permettre au produit mariné de tomber dans le bac de vidange sur la vis de vidange. Égouttez et remballiez le poulet comme indiqué dans votre *Mode d'emploi* KFC.

Réglage de la minuterie



Utilisez un petit tournevis pour réaliser les réglages illustrés.

Entretien

Votre Marinator QMM-4E a été conçu pour n'avoir quasiment jamais besoin de maintenance. Cependant, nous vous recommandons de réaliser périodiquement les inspections suivantes. **Assurez-vous toujours que l'appareil est débranché** avant toute maintenance ou inspection.

- 5) Inspectez le cordon d'alimentation pour vérifier qu'il ne présente aucune déchirure, coupure, etc. Réparez ou remplacez le cordon s'il y a lieu.
- 6) Lubrifiez les roulettes selon les besoins afin d'assurer que l'appareil roule en douceur et d'empêcher toute défaillance prématurée.

- 5) Retirez le couvercle du moteur et faites une inspection visuelle des éléments suivants pour vous assurer qu'ils ne présentent pas d'usure excessive ; remplacez-les si nécessaire :
- Croisillon de roulement – Élément 8 sur le schéma des pièces
 - Garniture d'étanchéité et ressort d'arbre – Éléments 12 and 13, respectivement, sur le schéma des pièces
 - Rondelle de poignée de cuve – Élément 51 sur le schéma des pièces
 - Rondelle en caoutchouc – Élément 54 sur le schéma des pièces
 - Joint torique du couvercle de la cuve – Élément 2 sur le schéma des pièces
 - Chaîne d'entraînement – Élément 17 sur le schéma des pièces
- 10) Inspectez la chaîne d'entraînement – (Élément 17) pour assurer qu'elle est adéquatement lubrifiée. Si nécessaire, lubrifiez avec modération au moyen d'une huile légère de qualité « contact alimentaire fortuit » pour assurer un fonctionnement sans bruit.
- 11) Montez à nouveau le couvercle du moteur sur l'appareil. Appliquez une goutte de silicone transparente de qualité « contact alimentaire fortuit » entre les bords inférieurs du couvercle du moteur et le châssis pour fermer hermétiquement.
- 12) Pour que votre Marinator QMM-4E garde l'éclat du neuf, nettoyez-le périodiquement au moyen d'un nettoyant / produit à polir pour acier inoxydable.

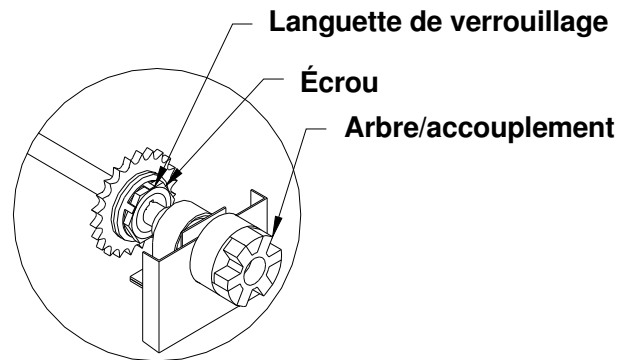
Dépannage

Problème	Solution
Le moteur est en marche, mais la cuve ne tourne pas.	<ul style="list-style-type: none"> • Ajustez le limiteur de couple (voir la section Réglage du limiteur de couple)
L'appareil ne fonctionne que lorsque le bouton Start est maintenu enfoncé.	<ul style="list-style-type: none"> • Interrupteur d'arrêt défectueux. Vérifiez et remplacez-le si c'est le cas. • Minuterie défectueuse. Vérifiez et remplacez-la si c'est le cas.
L'appareil ne se met pas en marche.	<ul style="list-style-type: none"> • Examinez le cordon d'alimentation. Vérifiez qu'il est branché et en bon état. • Le bouton de remise à zéro a été actionné. Appuyez sur ce bouton. • Le couvercle est ouvert. Fermez-le. • Dysfonctionnement de l'interrupteur de proximité du couvercle. • Minuterie défectueuse. Vérifiez et remplacez-la si c'est le cas.
L'appareil fonctionne, mais pas pendant dix (10) minutes.	<ul style="list-style-type: none"> • La minuterie est mal réglée. Retirez le couvercle du moteur et reprogrammez la minuterie pour 10 minutes. • Minuterie défectueuse. Vérifiez et remplacez-la si c'est le cas.

Réglage du limiteur de couple

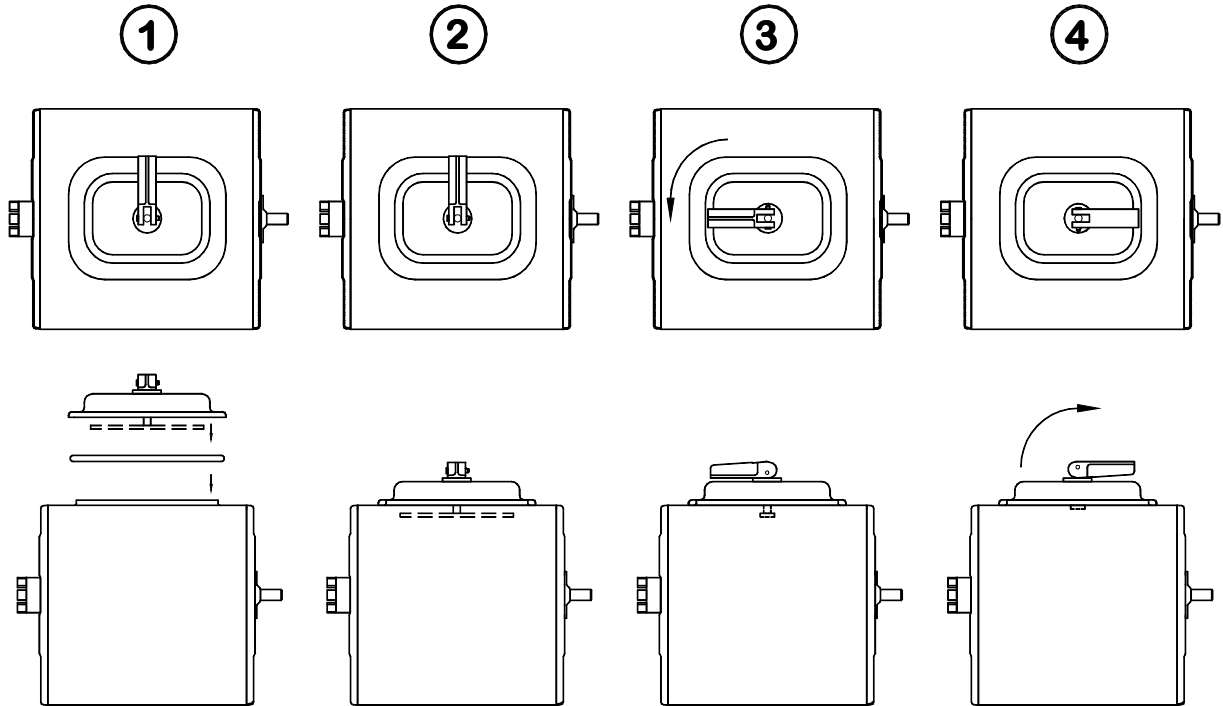
Le limiteur de couple est réglé en usine sur 14-17 Nm (125-150 pouce-lb). Pendant la période de vie de votre Marinator, il sera peut-être nécessaire d'ajuster ce limiteur de couple, habituellement à cause de l'usage prolongé des patins de frottement. Cela se remarquera quand la performance de la cuve deviendra irrégulière (mouvements saccadés, glissements ou immobilisation). Si vous remarquez ces problèmes, prenez les mesures ci-dessous pour ajuster le limiteur :

17. Débranchez la machine à mariner de la prise de courant.
18. Retirez les couvercles de sécurité et le couvercle du moteur.
19. Repliez les languettes de verrouillage vers le haut.
20. Tenez l'arbre de raccordement à l'aide d'une pince.
21. Serrez l'écrou d'un quart de tour.
22. Testez l'appareil pour voir si la cuve tourne sans à-coups, interruptions ou saccades.
23. Si la cuve ne tourne pas sans à-coups, serrez l'écrou d'un quart de tour supplémentaire et revenez à l'étape 4.
24. Si la cuve tourne sans à-coups, repliez les languettes de verrouillage vers le bas pour fixer l'écrou.



➔ **MISE EN GARDE** : Le réglage du limiteur de couple ne doit pas être supérieur à 17 Nm (150 pouce-lb).

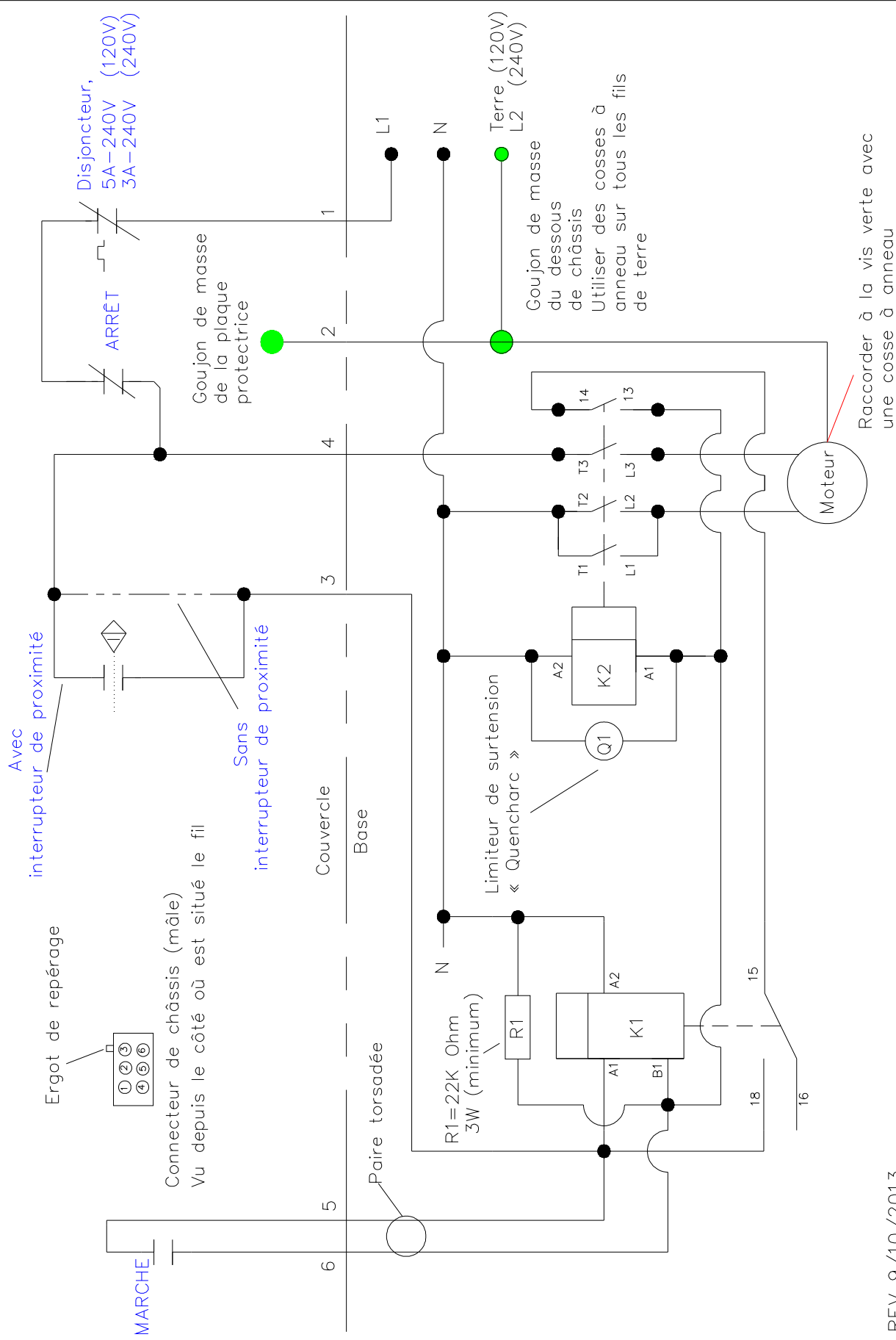
Montage du couvercle sur la cuve



Retrait de la cuve

1. Assurez-vous que les roulettes sont bloquées.
2. Faites glisser le couvercle de sécurité en position ouverte.
3. Videz entièrement la cuve.
4. Vérifiez que le couvercle est fixé fermement sur la cuve.
5. Saisissez fermement les deux extrémités de la cuve.
6. Soulevez l'extrémité de la cuve où se trouve la broche (côté droit) jusqu'à ce qu'elle dépasse le roulement en plastique blanc.
7. Faites glisser la cuve vers la droite jusqu'à ce que les couplages se libèrent.
8. Tirez la cuve doucement vers l'avant jusqu'à ce qu'elle sorte du châssis de la machine à mariner.

Schéma de câblage du Marinator pour QMM-4, -4C, -4M, -DU (agr   UL), QMM-4E (agr   CE)

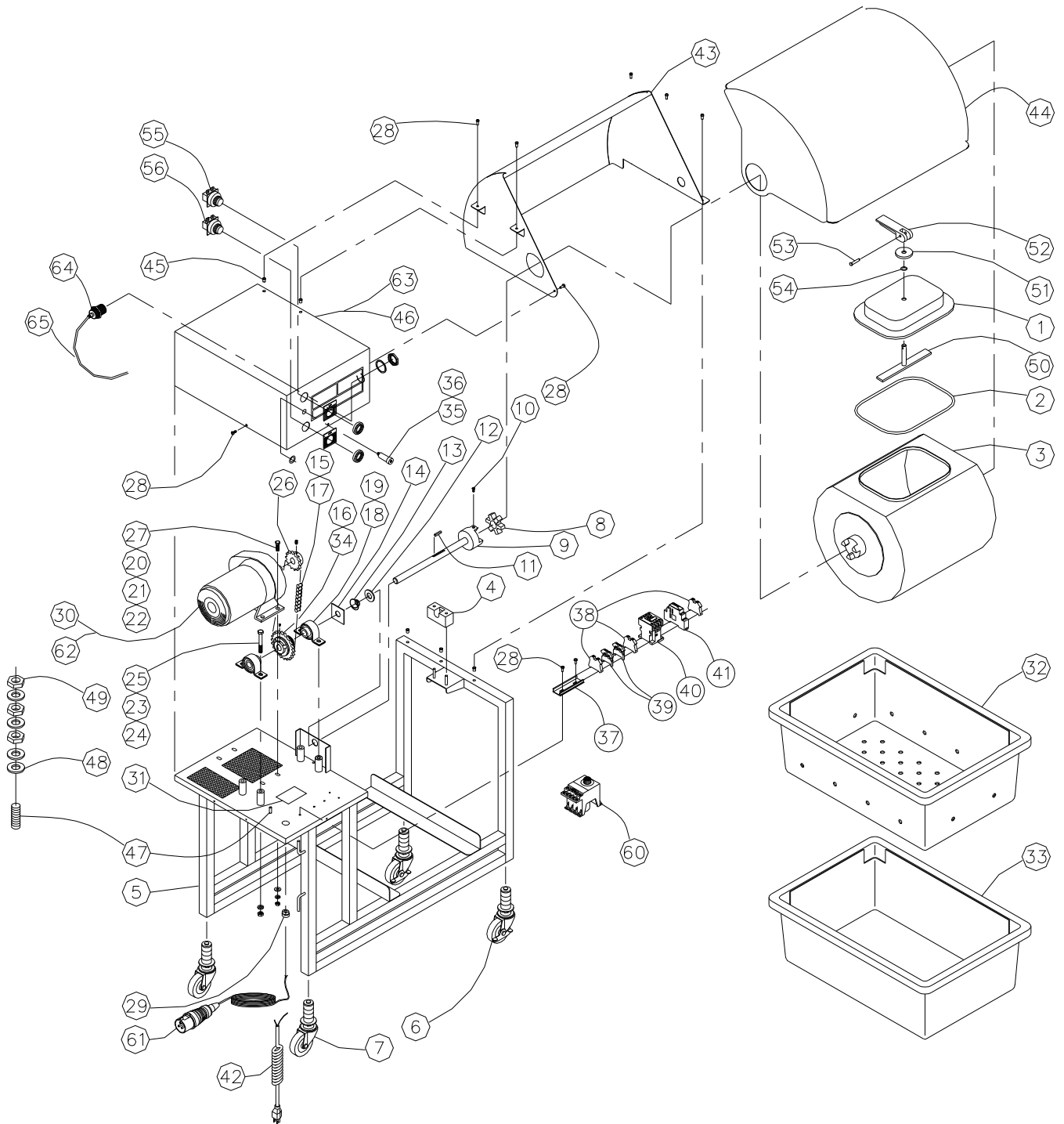


REV 9/10/2013

Liste des pièces du Marinator

Élément	Numéro de pièce – Description	Élément	Numéro de pièce - Description
1	202414 – Porte du Marinator – Nouveau –	36	902227 – Anneau de retenue – Hein KD-5 (avant 1/2002)
2	902338 – Joint d'étanchéité	35	91F6100 – Coupe circuit 5 A, T11-311-5.0 (après 1/2002)
3	200104 – Sous-ensemble de cuve	36	18C2994 – Bouton poussoir de disjoncteur/démarrage (après 1/2002)
4	200108 – Palier de cuve Delrin	37	202482 – Rail DIN
5	200109 – Châssis	38	902409 – Butée de rail DIN
6	900031 – Roulette pivotante à frein, sur tige, triple	39	902410 – Terminal de rail DIN d'entrée
7	900032 – Roulette pivotante sur tige, triple	40	YC1U-9A240 – Contacteur (modèle européen)
8	900061 – Croisillon de roulement	40	YC1U-9A120 – Contacteur (modèle américain)
9	200122 – Arbre et accouplement	41	902621 – Minuterie Finder multi-tension
10	902432 – Vis mécanique inox, 8/32 x ¼	42	200323 – Cordon d'alimentation – (modèle américain)
11	200125 – Clavette d'arbre	43	202464 – Couvercle extérieur (modèle européen)
12	200126 – Garniture d'étanchéité d'arbre	44	202478 – Couvercle intérieur (modèle européen)
13	900033 – Ressort	45	AKA1-1032-130 – Écrou d'insertion (10-32) AL noyé (modèle européen)
14	200127 – Lame de ressort	46	202380 – Boîtier du moteur du Marinator (modèle américain)
15	900237 – Connexion #40	47	TFTS-305-101-208-376 – Goujon, ¼-20, soudé
16	900039 – Palier de limiteur de couple avec vis de réglage	48	92141A029 – Rondelle plate inox, ¼" 0,050"
17	900041 – Chaîne à rouleaux, demi-pas	49	902452 – Écrou à 6-pans inox, ¼-20
18	900042 – Palier de battement et 3/4	50	202420 – Loquet du Marinator – Nouveau –
19	900042-1 – Corps de palier à semelle	51	200089 – Rondelle Delrin de poignée
20	902451 – Rondelle plate inox, 5/16	52	200225 – Poignée à came
21	902450 – Rondelle frein inox, 5/16 (fendue)	53	12SS-07 – Goupille à déclenchement rapide, ¼ x 1,3
22	902449 – Écrou à tête 6-pans inox, 5/16-18	54	900035 – Rondelle caoutchouc, ½" diam. int.
23	902459 – Rondelle frein inox, 3/8	55	200400 – Kit d'interrupteur d'arrêt
24	902460 – Écrou à 6 pans inox, 3/8-16	56	200399 – Kit d'interrupteur de démarrage
25	902433 – Boulon à tête 6 pans inox, 3/8-16 x 2,50	57	202418 – Ensemble de porte/couvercle (éléments 1 et 50 à 54) - pas illustré
26	900058 – Pignon plaqué ¾, avec vis de réglage	58	202381 – Ensemble de boîtier moteur (modèle américain) - pas illustré
27	902434 – Boulon à tête 6 pans inox, 5/16-18 x ¾"	59	202480 – Ensemble de boîtier moteur (modèle européen) - pas illustré
28	902431 – Vis mécanique inox, 10-32 x ½, filet à dr.	60	900054 – Minuterie électrique 120 V c.a. (modèle américain)
29	900053 – Bague de réduction électrique	61	88-309-IQ – Cordon d'alimentation (modèle européen)
30	900063 – Moteur, ¼ HP – 120 V c.a. – (modèle américain)	62	910210 – Moteur du Marinator – 220 V c.a. – (modèle européen)
31	902225 – Étiquette, info couple	63	202480 – Boîtier du moteur du Marinator (modèle européen)
32	200912 – Bac de vidange (perforé)	64	902480 – Interrupteur de proximité
33	900080 – Boîte max en polyéthylène	65	KB3T-0.4-S90-S1981 – Cordon de l'interrupteur de proximité
34	900137 – Pignon de plaque de limiteur de couple		64K9105 – Résistance, 25k Ohms (pas illustré)
35	902226 – Dispositif de protection de circuit Hein KD-5 (avant 1/2002)		16F3700 – Suppresseur de surtensions (pas illustré)

Schéma des pièces du Marinator



Spécifications des pièces de rechange critiques

<u>N° de pièce</u>	<u>Description</u>	<u>Fabricant</u>	<u>N° de fabrication</u>
902621	Minuterie	Finder	83.01.0.240.0000
YC1U-9A240	Contacteur (240 V)	Idec	YC1U-9A240
YC1U-9A120	Contacteur (120 V)	Idec	YC1U-9A120
902480	Interrupteur de proximité	Turck	BI15-G30-ADZ30X2-B3131
902481	Cordon de l'interrupteur de proximité	Turck	KB 3T-0.4/S90/1981
910210	Moteur (230 V/50 Hz)	Klauber	K01302B100
900063	Moteur (115 V/60 Hz)	Klauber	K01302A100
900039	Limiteur de couple	Morse	250TL-3/4"

Déclaration de conformité CE

En application de

la Directive 006/42/CE relative aux machines et de la Directive 2004/108/CE relative à la compatibilité électromagnétique

Quality Industries, Inc, déclare par la présente que le produit spécifié ci-dessous est conforme à toutes les dispositions pertinentes de la Directive 2006/42/CE concernant les machines et de la Directive 2004/108/CE concernant la compatibilité électromagnétique.

Description :	MARINATOR (machine à mariner)
N° de modèle :	QMM-4E
N° de série :	Chaque machine à mariner est munie d'un numéro de série identifiable.

La personne autorisée à constituer le dossier technique est : www.qualityind.com

Signature :



Nom :

Ed Drumm

Fonction :

Senior Product Engineer, Quality Industries, Inc

Date :

LaVergne, TN (USA) 15 août 2012



MARINATOR der Produktreihe QMM-4 (alle Modelle) Betriebsanleitung



**GELISTET c
459R**



NUR FÜR DEN KOMMERZIELLEN GEBRAUCH

Kundendienst: Tel.: +1-615-793-2250

EINGESCHRÄNKTE GARANTIE

QUALITY INDUSTRIES gewährt gegenüber dem Erstkäufer ab Datum der Lieferung ein (1) Jahr lang, dass seine Produkte frei von Fehlern in Material und Verarbeitung sind. In dieser Zeit sollte der Erstkäufer bei Versagen eines Produkts von Quality Industries aufgrund Verarbeitungsfehler die Kundendienstabteilung von QUALITY INDUSTRIES umgehend benachrichtigen. Reklamationen sind an die folgende Anschrift zu senden: QUALITY INDUSTRIES, 130 Jones Boulevard, P.O. Box 7016, LaVergne Tennessee 37086-7016. QUALITY INDUSTRIES behält sich das Recht vor, einen Kundendienstvertreter mit der Prüfung des Produkts zu beauftragen. Wenn die Prüfung nach alleinigem Urteil von QUALITY INDUSTRIES offenlegt, dass ein Teil des Produkts aufgrund Material- oder Verarbeitungsfehler versagt hat, wird QUALITY INDUSTRIES das Teil ohne Kosten für den Erstkäufer nach eigenem Ermessen reparieren oder ersetzen. Ohne vorherige schriftliche Genehmigung durch unsere Kundendienstabteilung trägt QUALITY INDUSTRIES jedoch keinerlei Kosten.

Während der ersten neunzig (90) Tage des Garantiezeitraums übernimmt QUALITY INDUSTRIES bei vorheriger schriftlicher Genehmigung durch die Kundendienstabteilung die erforderlichen und angemessenen Arbeits- und Frachtkosten im Zusammenhang mit der Reparatur oder dem Ersatz.

EINSCHRÄNKUNG DES GARANTIEZEITRAUMS UND AUSSCHLÜSSE STILLSCHWEIGENDER GEWÄHRLEISTUNGEN

STILLSCHWEIGENDE GEWÄHRLEISTUNGEN UND GEWÄHRLEISTUNGEN IN BEZUG AUF DIE MARKTGÄNGIGKEIT ODER EIGNUNG FÜR EINEN BESTIMMTEN ZWECK, DIE SICH AUS DEM VERKAUF EINES PRODUKTS VON QUALITY INDUSTRIES ERGEBEN, SIND AUF EIN (1) JAHR BESCHRÄNKT. NACH ABLAUF DIESER ZEIT GELTEN DIESE SCHRIFTLICHEN GEWÄHRLEISTUNGEN ANSTATT STILLSCHWEIGENDER GEWÄHRLEISTUNGEN DER MARKTGÄNGIGKEIT ODER EIGNUNG FÜR EINEN BESTIMMTEN ZWECK.

Einige Bundesstaaten verbieten Einschränkungen der Dauer von stillschweigenden Gewährleistungen. Daher treffen die o. a. Einschränkungen u. U. nicht auf Sie zu.

QUALITY INDUSTRIES ÜBERNIMMT KEINE HAFTUNG FÜR NEBENSCHÄDEN, BESONDERE SCHADENSANSPRÜCHE ODER FOLGESCHÄDEN, DIE AUS DEM VERKAUF ODER DER VERWENDUNG SEINER PRODUKTE ENTSTEHEN.

Einige Bundesstaaten gestatten keinen Ausschluss bzw. keine Einschränkung zufälliger oder Folgeschäden. Die obige Beschränkung trifft daher eventuell nicht auf Sie zu.

AUSSCHLÜSSE

Diese Garantie gilt nicht in den folgenden Situationen und QUALITY INDUSTRIES haftet auch nicht für Schäden, die aus den folgenden Gründen entstehen:

10. bei Modifikation eines Produkts von QUALITY INDUSTRIES.
11. bei Missbrauch oder unsachgemäßer Handhabung eines Produkts von QUALITY INDUSTRIES oder
12. bei unsachgemäßer Installation eines Produkts von QUALITY INDUSTRIES.

Bei Reparaturen und/oder Modifikationen an einem Produkt von QUALITY INDUSTRIES oder eines Teils desselben ohne die schriftliche Genehmigung von QUALITY INDUSTRIES erlischt diese Garantie.

PRODUKTRÜCKSENDUNG

QUALITY INDUSTRIES behält sich das Recht vor, die Rücksendung von Teilen oder Produkten einzufordern, die im Rahmen der Garantie als fehlerhaft angesehen wurden. Für eine derartige Rücksendung ist zunächst die schriftliche Genehmigung der Kundendienstabteilung erforderlich. Das fehlerhafte Produkt sollte zudem als im Voraus bezahlte Fracht von einem von der Kundendienstabteilung genannten Speditionsunternehmen zugestellt werden. Frachtkosten werden dem Kunden gutgeschrieben, falls die Rücksendung in den ersten neunzig (90) Tagen der Garantie erfolgt.

Quality Industries Inc

ALLGEMEINE BEDINGUNGEN

DIESE GEWÄHRLEISTUNGEN WERDEN ANSTATT ANDERER AUSDRÜCKLICHER GEWÄHRLEISTUNGEN GEMACHT. QUALITY INDUSTRIES GESTATTET KEINER PERSON, GEGENTEILIGE ANGABEN IN BEZUG AUF DEN VERKAUF ODER DIE INSTALLATION EINES PRODUKTS VON QUALITY INDUSTRIES ZU MACHEN.

Diese Garantie gewährt dem Käufer bestimmte Rechte. Je nach Bundesstaat stehen Ihnen u.U. auch noch andere Rechte zu.

Diese Garantie kann nur per vorheriger schriftlicher und durch eine von einem Handlungsbevollmächtigten von QUALITY INDUSTRIES unterzeichnete Vereinbarung modifiziert werden.

Inhaltsverzeichnis

Abschnitt	Seite
Eingeschränkte Garantie	2
Allgemeine Sicherheitsinformationen	4
Warnhinweise	4
Reinigungs- und Desinfektionsanweisungen	5
Betriebsanweisungen	5
Einstellen des Timers	6
Wartung	6
Fehlersuche und -behebung	7
Einstellen des Drehmomentbegrenzers	8
Deckelmontage	9
Entfernen des Tanks	9
FMA015-Schaltplan	10
Teileliste	11
Explosionsgrafik	12
Technische Daten der wichtigen Ersatzteile	13
Notizen	15

Allgemeine Sicherheitsinformationen

POTENZIELLE GEFAHR	FOLGEN	MASSNAHMEN
Sich bewegende oder drehende Teile	Schwere Verletzungsgefahr	Gerät nicht ohne Sicherheitsabdeckung bzw. mit fehlerhaften Sicherheitsvorrichtungen in Gebrauch nehmen.
Stromschlag	Schwere oder tödliche Verletzungsgefahr	Marinator vor der Reinigung, Wartung oder Reparatur von der Stromquelle trennen.

Warnhinweise

- ☞ Der QMM-4-Marinator wurde ausschließlich für den kommerziellen Gebrauch konzipiert und wird auch nur für diesen Zweck vertrieben. Die Verwendung dieses Geräts für andere Zwecke als das kommerzielle Marinieren von Lebensmitteln ist verboten. Zudem erlöschen sämtliche Garantieansprüche.
- ☞ Marinator vor der Reinigung, Wartung oder Reparatur stets von der Stromquelle trennen.
- ☞ Mit einer Tropfschleife im Netzkabel unterhalb der Steckdose schützen Sie den elektrischen Anschluss und die Steckdose vor Flüssigkeiten, die am Kabel entlanglaufen, während das Gerät an die Stromversorgung angeschlossen ist.
- ☞ Das Gerät kann mit einem Tuch und einer Reinigungs-/Desinfektionslösung abgewischt werden. **MARINATOR NICHT MIT EINEM SCHLAUCH ODER HOCHDRUCKREINIGER SÄUBERN.**
- ☞ **LAGER AUSSEN AN DER MOTORABDECKUNG NICHT SCHMIEREN.**
- ☞ Zum Schmieren der Laufrollen und des Kettenantriebs dürfen nur lebensmittelechte Schmiermittel verwendet werden.

- ☞ **VORSICHT:** Stromschlaggefahr! Dieses Gerät darf **NICHT** in einer Kühlumgebung betrieben oder gelagert werden.
- ☞ **VORSICHT:** Kontaminationsrisiko. Dieses Gerät darf **NICHT** im Non-Food-Bereich verwendet werden.
- ☞ **VORSICHT:** Beschädigungsrisiko für die Sicherheitssperre. Dieses Gerät darf **NICHT** in Betrieb genommen werden, wenn der Tank die Abdeckung berührt.

- ☞ **HINWEIS:** Der A-bewertete Emissionsschalldruckpegel ist kleiner 70 dB(A)

Reinigungs- und Desinfektionsanweisungen

NACH DEM MARINIEREN:

- Deckel, Dichtung, Tank, Auffangwanne und Wannenstöpsel abnehmen und zum Spülbecken bringen.
- Teile spülen und anhand der 3 Schritte umfassenden Methode (siehe KFC-*Betriebsanleitung*) säubern.
- Tank wieder in den Rahmen des Marinators einsetzen und bis zum nächsten Einsatz geschlossen an der Luft trocknen lassen.
- Deckel, Dichtung, Auffangwanne und Wannenstöpsel an der Luft trocknen lassen.

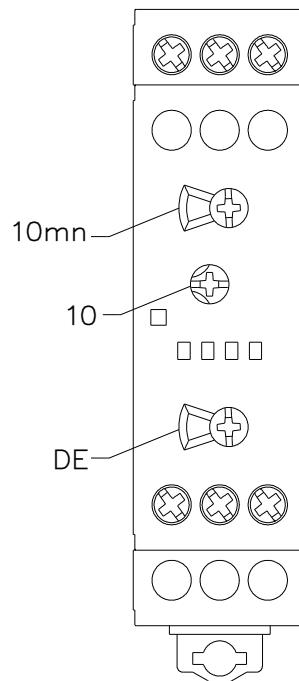
BEI SCHICHT- ODER ARBEITSENDE:

- O.a. Schritte wiederholen. Allerdings sollte der Deckel jetzt für eine gründliche Reinigung auseinandermontiert werden.
- Marinator von der Stromversorgung trennen und das Gehäuse (einschließlich der Laufrollen) mit einem sauberen und mit einer Reinigungs-/Desinfektionslösung angefeuchteten Tuch abwischen. An der Luft trocknen lassen. (**HINWEIS:** Motorgehäuse oder Belüftungsöffnungen unter dem Marinator **NICHT** mit dem Schlauch abspritzen, da dies die elektrischen Komponenten beschädigen könnte).
- Deckel wieder anbringen, sobald alle Teile an der Luft trocknen konnten.

Betriebsanweisungen

- Marinade gemäß den Anweisungen in der KFC-*Betriebsanleitung* vorbereiten.
- Hühnerfleisch und Marinade in den Tank geben.
- Deckel aufsetzen (siehe *Deckelmontage* auf Seite 9):
 - Der Gummi-O-Ring muss sicher am Rand der Tanköffnung anliegen.
 - Deckel am Griff festhalten, während die Verriegelungslaschen parallel zum Deckel positioniert werden.
 - Deckel auf die Tanköffnung legen und andrücken, um eine gute Abdichtung zu erzielen.
 - Griff parallel zum Deckel drehen und nach unten gegen den Deckel drücken, um die Verriegelungslaschen einrasten zu lassen.
 - Tank wenden und auf Lecks untersuchen.
- Der Mariniervorgang wird durch Drücken auf die schwarze Starttaste begonnen.
- HINWEIS: Falls der Marinator aus irgendeinem Grund ausgeschaltet werden muss, drücken Sie dazu auf die rote Stopptaste direkt über der schwarzen Starttaste auf der Gerätevorderseite. Der Gerätebetrieb darf jedoch nur im Notfall gestoppt werden. Ist das Gerät einmal ausgeschaltet, setzt sich der Timer automatisch in Vorbereitung auf einen vollen Zyklus zurück. Zum Ende des Zyklus wird der Deckel entfernt und der Tank gedreht, damit das marinierte Fleisch über dem Stöpsel in die Auffangwanne fallen kann. Marinade ablassen und Hühnerfleisch gemäß den Anweisungen in Ihrer KFC-*Betriebsanleitung* in Beutel packen.

Einstellen des Timers



Die Schalter werden mit einem kleinen Schraubendreher gemäß den Angaben in der Abbildung eingestellt.

Wartung

Ihr QMM-4E-Marinator ist ein praktisch wartungsfreies Gerät. Wir empfehlen lediglich die folgenden regelmäßigen Inspektionen. **Dabei ist stets sicherzustellen, dass das Gerät nicht mehr an die Stromversorgung angeschlossen ist.**

- 7) Netzkabel auf Risse und Schäden usw. überprüfen und bei Bedarf reparieren oder austauschen.
- 8) Laufrollen nach Bedarf schmieren, damit gewährleistet ist, dass das Gerät ungehindert verschoben werden kann und es nicht vorzeitig versagt.
- 6) Motorabdeckung entfernen und die folgenden Komponenten einer Sichtprüfung in Bezug auf übermäßige Abnutzungserscheinungen unterziehen und bei Bedarf austauschen:
 - Planetenlager – Pos. 8 auf der Explosionsgrafik
 - Dichtung und Feder an der Welle – Pos. 12 und 13 auf der Explosionsgrafik
 - Unterlegscheibe am Tankgriff – Pos. 51 auf der Explosionsgrafik
 - Gummiunterlegscheibe – Pos. 54 auf der Explosionsgrafik
 - O-Ring des Tankdeckels – Pos. 2 auf der Explosionsgrafik
 - Kettenantrieb – Pos. 17 auf der Explosionsgrafik
- 13) Der Kettenantrieb – (Pos. 17) wird auf eine angemessene Schmierung untersucht. Bei Bedarf wird zur Gewährleistung eines geräuscharmen Betriebs etwas mit leichtem lebensmittelechtem Öl nachgeschmiert.
- 14) Motorabdeckung wieder anbringen. Etwas lebensmittelechtes Silikondichtmittel zwischen der unteren Kante der Motorabdeckung und dem Rahmen auftragen, um eine gute Abdichtung zu erzielen.
- 15) Der QMM-4E-Marinator kann regelmäßig mit einem genehmigten Edelstahlreiniger bzw. mit Edelstahlpolitur auf Hochglanz gebracht werden.

Fehlersuche und -behebung

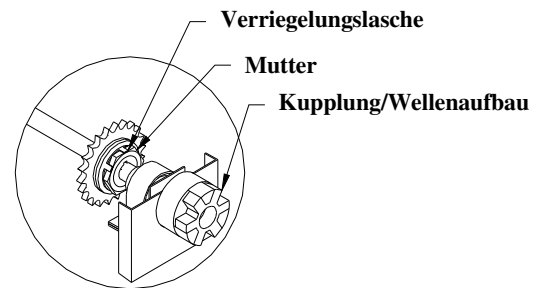
Problem	Lösung
Der Motor läuft, aber der Tank dreht sich nicht.	<ul style="list-style-type: none"> • Drehmomentbegrenzer einstellen (siehe <i>Einstellen des Drehmomentbegrenzers</i>).
Das Gerät läuft nur, wenn die Starttaste kontinuierlich gedrückt wird.	<ul style="list-style-type: none"> • Fehlerhafter Stoppschalter: Stoppschalter prüfen und bei Bedarf austauschen. • Fehlerhafter Timer: Timer prüfen und bei Bedarf austauschen.
Das Gerät lässt sich gar nicht einschalten.	<ul style="list-style-type: none"> • Netzkabel prüfen. Sicherstellen, dass das Netzkabel eingesteckt und nicht beschädigt ist. • Rücksetztaste wurde ausgelöst. Auf die Rücksetztaste drücken. • Die Abdeckung ist nicht geschlossen. Abdeckung schließen. • Der Näherungsschalter der Abdeckung funktioniert nicht. • Fehlerhafter Timer: Timer prüfen und bei Bedarf austauschen.
Das Gerät schaltet sich ein, läuft aber nicht zehn (10) Minuten lang.	<ul style="list-style-type: none"> • Der Timer wurde falsch eingestellt. Motorabdeckung entfernen und Timer auf 10 Minuten einstellen. • Fehlerhafter Timer: Timer prüfen und bei Bedarf

	austauschen.
--	--------------

Einstellen des Drehmomentbegrenzers

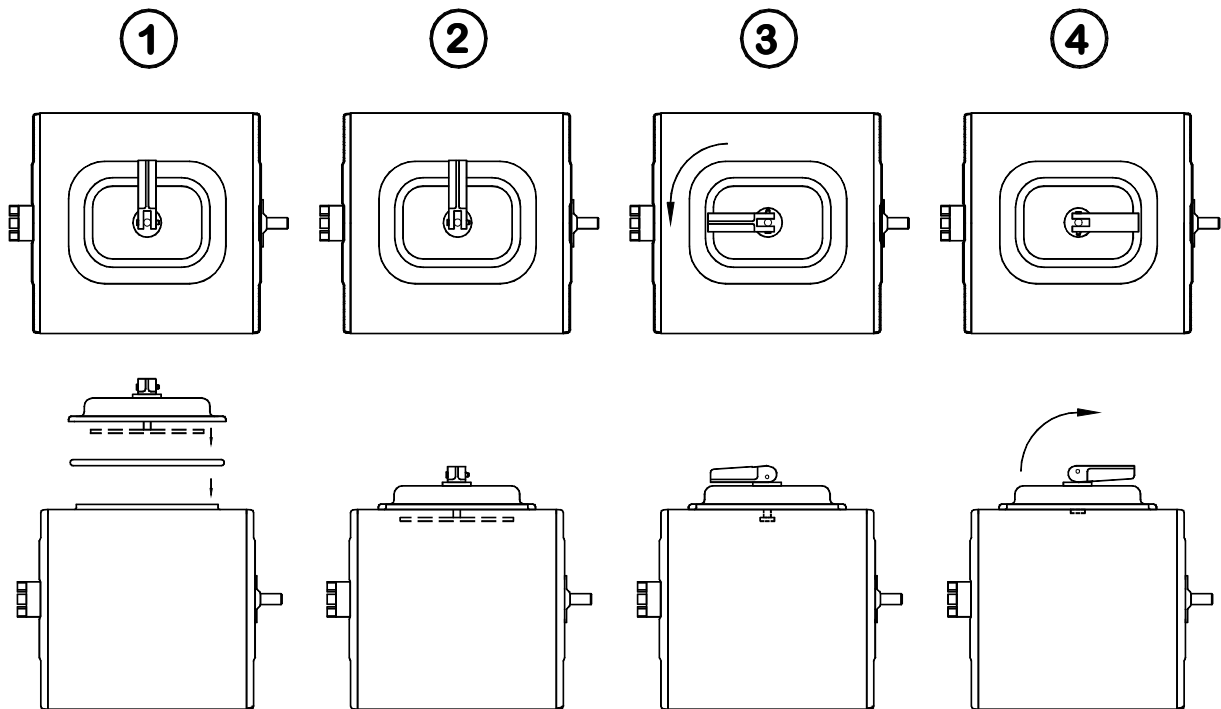
Der Drehmomentbegrenzer ist ab Werk auf 14-17 Nm eingestellt. Während der Einsatzzeit des Marinators muss der Drehmomentbegrenzer u.U. bei Gelegenheit justiert werden. Der Grund hierfür ist in der Regel ein Fortschreiten der Abnutzungserscheinungen an den Reibbelägen. Dies ist besonders dann offensichtlich, wenn die Tankleistung nachlässt (z.B. Rucken, Rutschen oder keine Bewegungen). Ist dies der Fall, gehen Sie wie folgt vor, um den Drehmomentbegrenzer einzustellen:

25. Marinator von der Stromversorgung trennen.
26. Sicherheits- und Motorabdeckung entfernen.
27. Verriegelungslaschen nach oben biegen.
28. Die Koppelwelle wird dabei mit einer Zange gehalten.
29. Die Mutter wird nun um eine Vierteldrehung angezogen.
30. Anhand eines Tests kann festgestellt werden, ob sich der Tank nun problemlos dreht.
31. Ist dies nicht der Fall, wird die Mutter um eine weitere Vierteldrehung angezogen. Dann mit Schritt 4 fortfahren.
32. Sobald sich der Tank problemlos dreht, werden die Verriegelungslaschen nach unten geklappt, um die Mutter zu sichern.



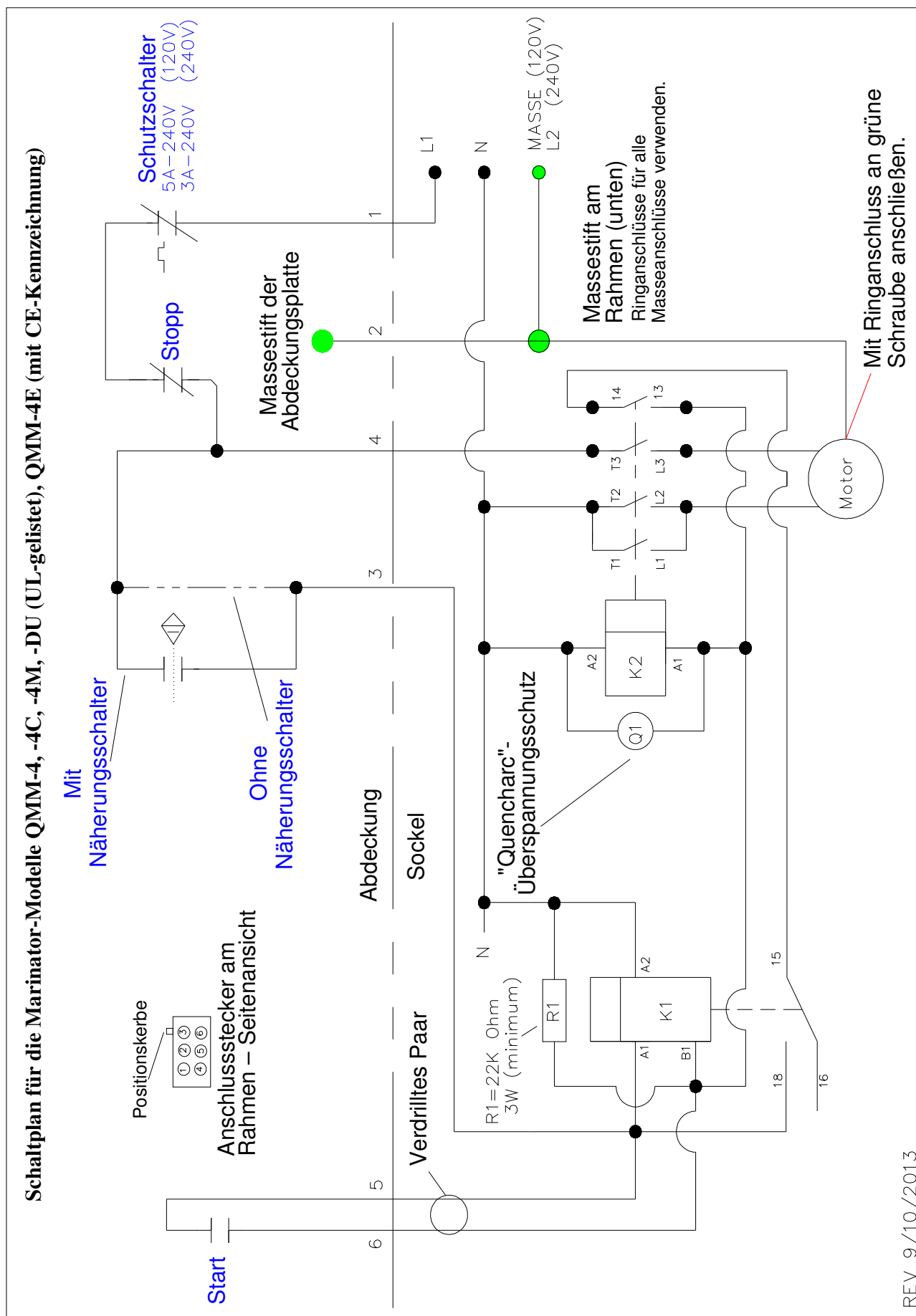
➔ **VORSICHT: Drehmomentbegrenzer nicht auf Werte über 17 Nm einstellen.**

Deckelmontage



Entfernen des Tanks

1. Sicherstellen, dass die Laufrollen verriegelt sind.
2. Sicherheitsabdeckung nach hinten in die geöffnete Position schieben.
3. Tank vollständig leeren.
4. Sicherstellen, dass der Deckel sicher am Tank befestigt ist.
5. Beide Tankenden fest mit den Händen greifen.
6. Tank an der rechten Seite (Spindel) anheben, bis er sich über dem weißen Kunststofflager befindet.
7. Tank nach rechts schieben, bis sich die Kupplungsteile lösen.
8. Tank vorsichtig nach vorne ziehe, bis er aus dem Rahmen austritt.



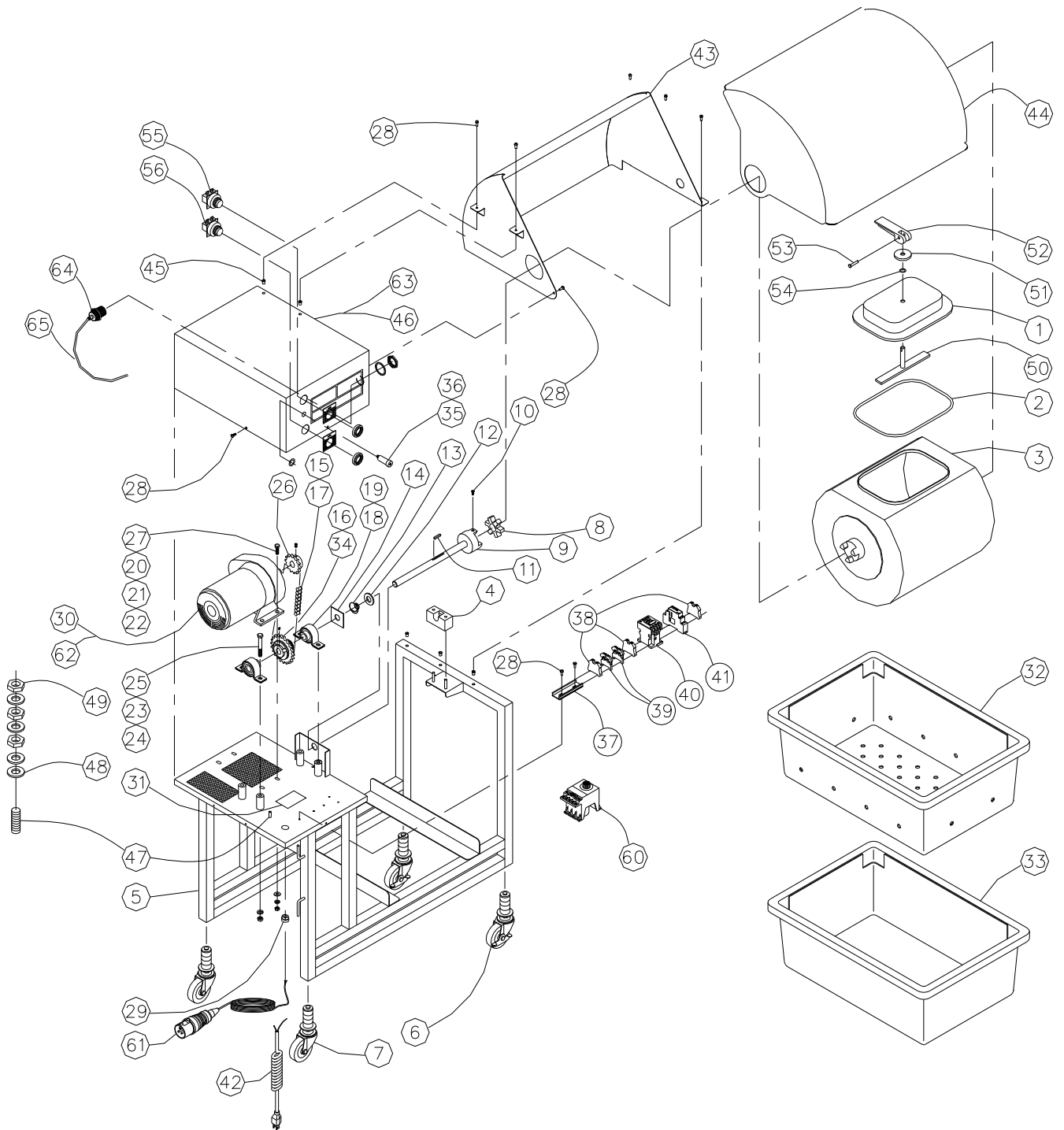
REV 9/10/2013

Teileliste

Pos.	Bestellnummer – Beschreibung
1	202414 – Tür, Marinator – Neu –
2	902338 – O-Ring
3	200104 – Tankunterbau
4	200108 – Delrin-Tank-Lager
5	200109 – Rahmen
6	900031 – Laufrolle, 3 Bremszapfen, Drehgelenk
7	900032 – Laufrolle, 3-Zapfen-Drehgelenk
8	900061 – Planetenlager
9	200122 – Kupplungs-/Wellenaufbau
10	902432 – Edelstahl-Kopfschraube, 8/32 x ¼
11	200125 – Keil, Welle
12	200126 – Dichtring, Welle
13	900033 – Feder
14	200127 – Federblatt
15	900237 – Verbindungselement Nr. 40
16	900039 – Lager, Drehmomentbegrenzer mit Stellschraube
17	900041 – Rollenkette, ½ Teilung
18	900042 – Stehlager und ¾-Lager
19	900042-1 – Gehäuse, Stehlager
20	902451 – Edelstahl-Unterlegscheibe (5/16), flach
21	902450 – Edelstahl-Sicherungsscheibe (5/16), geteilt
22	902449 – Edelstahl-Sechskantmutter (5/16-18)
23	902459 – Edelstahl-Sicherungsscheibe (3/8)
24	902460 – Edelstahl-Sechskantmutter (3/8-16)
25	902433 – Edelstahl-Sechskantschraube (3/8-16 x 2,50)
26	900058 – Gelenk, ¾-plattiert mit Stellschraube
27	902434 – Edelstahl-Sechskantschraube (5/16-18 x ¾ Zoll)
28	902431 – Edelstahl-Maschinenschraube (10-32 x ½ rechtsgewunden)
29	900053 – Zugentlastung für Kabel
30	900063 – Motor, ¼ PS – 120 V AC – (US-Modell)
31	902225 – Drehmomentbeschriftung
32	200912 – Auffangwanne (mit Öffnungen)
33	900080 – Lebensmittel-Aufbewahrungsbox
34	900137 – Gelenk der Drehmomentbegrenzerplatte
35	902226 – Schutzschalter, Hein KD-5 (vor 1/2002)

Pos.	Bestellnummer – Beschreibung
36	902227 – Haltering – Hein KD-5 (vor 1/2002)
35	91F6100 – Trennschalter, T11-311-5,0 5-A-Schaltkreis (nach 1/2002)
36	18C2994 – Trennschalter (nach 1/2002)
37	202482 – DIN-Schiene
38	902409 – DIN-Schienenanschlag
39	902410 – DIN-Schienen-Anschlussleiste
40	YC1U-9A240 – Schaltschütz (europ. Modell)
40	YC1U-9A120 – Schaltschütz (US-Modell)
41	902621 – Mehrfachspannungs-Timer
42	200323 – Systemnetzkabel (US-Modell)
43	202464 – Systemabdeckung – außen (europ. Modell)
44	202478 – Systemabdeckung – innen (europ. Modell)
45	AKA1-1032-130 – Muttereinsatz (10-32) AL Flush (europ. Modell)
46	202380 – Marinator-Motorgehäuse (US-Modell)
47	TFTS-305-101-208-376 – Schweißzapfen, ¼-20
48	92141A029 – Flache Edelstahl-Unterlegscheibe, ¼ Zoll x 0,050 Zoll
49	902452 – Edelstahl-Sechskantmutter, ¼-20
50	202420 – Verriegelung, Marinatoraufbau (neu)
51	200089 – Unterlegscheibe, Delrin-Griff
52	200225 – Griff, Nocke
53	12SS-07 – Stift, ¼ x 1,3 schnellauslösend
54	900035 – Unterlegscheibe, ½-Zoll-ID, Gummi
55	200400 – Stoppschalter
56	200399 – Startschalter
57	202418 – Türabdeckung (Pos. 1, 50 bis 54) – ohne Abbildung
58	202381 – Motorgehäuse (US-Modell) – ohne Abbildung
59	202480 – Motorgehäuse (europ. Modell) – ohne Abbildung
60	900054 – Elektrischer Timer, 120 V AC (US-Modell)
61	88-309-IQ – Netzkabel (europ. Modell)
62	910210 – Marinator-Motor – 220 V AC – (europ. Modell)
63	202480 – Marinator-Motorgehäuse (europ. Modell)
64	902480 – Näherungsschalter
65	KB3T-0.4-S90-S1981 – Kabel des Näherungsschalters
	64K9105 – Widerstand, 25k Ohm (ohne Abbildung)
	16F3700 – Überspannungsschutz (ohne Abbildung)

Explosionsgrafik



Technische Daten der wichtigen Ersatzteile

<u>Teile-Nr.</u>	<u>Beschreibung</u>	<u>Hersteller</u>	<u>Referenznummer des Herstellers</u>
902621	Timer	Finder	83.01.0.240.0000
YC1U-9A240	Schalterschütz (240 V)	Idec	YC1U-9A240
YC1U-9A120	Schalterschütz (120 V)	Idec	YC1U-9A120
902480	Näherungsschalter	Turck	BI15-G30-ADZ30X2-B3131
902481	Kabel des Näherungsschalters	Turck	KB 3T-0.4/S90/1981
910210	Motor (230 V/50 Hz)	Klauber	K01302B100
900063	Motor (115 V/60 Hz)	Klauber	K01302A100
900039	Drehmomentbegrenzer	Morse	250TL-3/4"

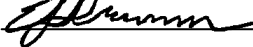
EG-Konformitätserklärung
in Übereinstimmung mit

EG-Richtlinie Maschinen 2006/42/EG
EG-Richtlinie Elektromagnetische Verträglichkeit 2004/108/EG

Wir, Quality Industries, Inc., erklären hiermit, dass das nachfolgend aufgeführte Produkt allen einschlägigen Bestimmungen der EG-Richtlinie Maschinen 2006/42/EG und der EG-Richtlinie Elektromagnetische Verträglichkeit 2004/108/EG entspricht.

Beschreibung:	MARINATOR
Typ.:	QMM-4E
Serien-Nr.:	Jeder Marinator verfügt über eine identifizierbare Seriennummer.

Name der zur Zusammenstellung der technischen Unterlagen bevollmächtigten Partei:
www.qualityind.com

Unterschrift:	
Name:	Ed Drumm
Funktion	Senior Product Engineer, Quality Industries, Inc
Datum:	LaVergne, TN (USA) 15. August 2012



MARINATRICE Serie QMM-4 (tutti i modelli) Manuale dell'utente



LISTED c
459R



ESCLUSIVAMENTE PER USO COMMERCIALE

Assistenza clienti: telefonare al numero +1-615-793-2250

GARANZIA LIMITATA

QUALITY INDUSTRIES garantisce all'acquirente originale solo che i propri prodotti sono esenti da difetti di materiale o di lavorazione per il periodo di un (1) anno dalla data di spedizione. Se qualsiasi parte di un prodotto di Quality Industries dovesse guastarsi in questo periodo a causa di difetti di lavorazione, l'acquirente originale deve notificare immediatamente il servizio assistenza clienti (Customer Service) di QUALITY INDUSTRIES. I reclami devono essere inviati al seguente indirizzo: QUALITY INDUSTRIES, 130 Jones Boulevard, P.O. Box 7016, LaVergne Tennessee 37086-7016 (USA). QUALITY INDUSTRIES riserva il diritto di inviare un rappresentante dell'assistenza tecnica ad esaminare il prodotto. Se l'esame, in base al parere esclusivo di QUALITY INDUSTRIES, dimostrasse che una parte qualsiasi del prodotto si è guastata a causa di difetti di materiale o lavorazione, QUALITY INDUSTRIES riparerà o sostituirà gratuitamente, a sua scelta, il componente difettoso per l'acquirente originale. Nessuna responsabilità per eventuali spese sarà accettata da QUALITY INDUSTRIES senza previa autorizzazione scritta del nostro servizio di assistenza clienti.

Nel corso dei primi novanta (90) giorni del periodo coperto dalla garanzia, QUALITY INDUSTRIES sarà responsabile, previa l'autorizzazione scritta del nostro servizio di assistenza clienti, per ogni ragionevole costo per manodopera o trasporto relativo alla riparazione o sostituzione.

LIMITAZIONE DELLA DURATA ED ESCLUSIONE DELLE GARANZIE IMPLICITE

QUALSIASI GARANZIA IMPLICITA, INCLUSE LE GARANZIE DI COMMERCIALIZZABILITÀ O IDONEITÀ PER UNO SCOPO PARTICOLARE, CONSEGUENTE ALLA VENDITA DI UN PRODOTTO DI QUALITY INDUSTRIES È LIMITATA A UNA DURATA DI UN (1) ANNO. SUCCESSIVAMENTE A TALE DATA, VALGONO QUESTE GARANZIE SCRITTE, CHE SOSTITUISCONO LE EVENTUALI GARANZIE IMPLICITE DI COMMERCIALIZZABILITÀ O IDONEITÀ PER UN PARTICOLARE SCOPO.

Alcuni stati non ammettono limitazioni alla durata di una garanzia implicita, quindi le limitazioni di cui sopra potrebbero non essere applicabili al caso dell'Acquirente.

QUALITY INDUSTRIES NON SI ASSUME ALCUNA RESPONSABILITÀ PER EVENTUALI DANNI INCIDENTALI, SPECIALI O CONSEGUENTI DERIVANTI DALLA VENDITA O USO DI QUALUNQUE DEI SUOI PRODOTTI.

Alcuni stati non consentono l'esclusione o la limitazione dei danni incidentali o consequenziali, per cui le limitazioni o esclusioni di cui sopra potrebbero non applicarsi nel caso dell'Acquirente.

ESCLUSIONI

La presente garanzia non vale e QUALITY INDUSTRIES non si assume alcuna responsabilità per qualsiasi danno derivante dalle cause seguenti:

13. L'alterazione di un prodotto di QUALITY INDUSTRIES.
14. L'abuso o uso erraneo di un prodotto di QUALITY INDUSTRIES.
15. L'installazione errata di un prodotto QUALITY INDUSTRIES.

Riparazioni e/o modifiche a qualsiasi componente o gruppo di un prodotto di QUALITY INDUSTRIES senza l'autorizzazione scritta di QUALITY INDUSTRIES fanno decadere questa garanzia.

RICHIAMO DI PRODOTTI

QUALITY INDUSTRIES si riserva il diritto di richiedere la restituzione di qualsiasi componente o prodotto dichiarato difettoso ai sensi della presente garanzia. Tale restituzione deve prima ottenere l'approvazione scritta del nostro servizio di assistenza clienti e deve essere inviata con spedizione prepagata con il vettore indicato dal servizio assistenza clienti. Le spese di trasporto saranno accreditate al cliente se la restituzione avviene nei primi novanta (90) giorni del periodo di garanzia.

CONDIZIONI GENERALI

LA PRESENTE GARANZIA SOSTITUISCE QUALSIASI ALTRA GARANZIA ESPRESSA. QUALITY INDUSTRIES NON AUTORIZZA NESSUNO A RILASCIARE DICHIARAZIONI IN SENSO CONTRARIO IN RELAZIONE ALLA VENDITA O ALL'INSTALLAZIONE DI UN PRODOTTO DI QUALITY INDUSTRIES.

Le Garanzie concedono diritti legali specifici e l'Acquirente può inoltre godere di altri diritti che variano da stato a stato.

La presente Garanzia può essere modificata esclusivamente previo accordo sottoscritto da un funzionario di QUALITY INDUSTRIES.

Sommario

Sezione	Pag.
Garanzia limitata	2
Informazioni generali riguardo alla sicurezza	3
Avvertenze	3
Istruzioni relative alla pulizia e sanificazione	4
Istruzioni per l'uso	4
Impostazione del timer Finder	5
Manutenzione	5
Risoluzione dei problemi	6
Regolazione del limitatore di coppia	7
Montaggio del coperchio sul serbatoio	8
Rimozione del serbatoio	8
Schema elettrico FMA015	9
Distinta componenti marinatrice	10
Diagramma componenti marinatrice	11
Specifiche degli elementi critici	12
Note	14

Informazioni generali riguardo alla sicurezza

PERICOLO POTENZIALE	EFFETTO	PREVENZIONE
Parti mobili e rotanti	Possono causare lesioni potenzialmente gravi.	Non far mai funzionare l'unità senza i coperchi di sicurezza o nel caso in cui i dispositivi di sicurezza non funzionino correttamente.
Folgorazione elettrica	Può causare lesioni gravi o la morte	Scollegare la marinatrice dall'alimentazione elettrica prima di effettuare qualsiasi operazione di pulizia, manutenzione o riparazione.

Avvertenze

- ☛ **La marinatrice QMM-4 è ideata e venduta esclusivamente per uso commerciale. L'uso di questa attrezzatura per qualsiasi scopo diverso dalla marinatura commerciale del cibo è proibito e annulla qualsiasi garanzia.**
- ☛ **Scollegare sempre la marinatrice dall'alimentazione elettrica prima di pulirla o effettuare qualsiasi operazione di riparazione o manutenzione.**
- ☛ **L'installazione del cavo di alimentazione con un'ansa sotto il livello della presa elettrica aiuta ad evitare che liquidi possano gocciolare verso il basso lungo il cavo penetrando nella presa mentre l'attrezzatura è connessa a una sorgente di alimentazione elettrica durante il funzionamento.**

- ☞ **Pulire l'attrezzatura con uno straccio e una soluzione di detergente/sanificante. NON UTILIZZARE UN TUBO FLESSIBILE O UN'IDROPULITRICE PER PULIRE LA MARINATRICE.**
- ☞ **NON LUBRIFICARE NESSUNO DEI CUSCINETTI ALL'ESTERNO DEL COPERCHIO DEL MOTORE.**
- ☞ **Utilizzare esclusivamente lubrificanti approvati per l'uso nell'industria alimentare per la lubrificazione delle rotelle e della catena motrice**

- ☞ **ATTENZIONE:** rischio di fulminazione. **NON** operare o conservare questa attrezzatura in ambiente refrigerato.
- ☞ **ATTENZIONE:** rischio di contaminazione alimentare. **NON** usare questo prodotto per applicazioni non alimentari.
- ☞ **ATTENZIONE:** rischio di danno all'interblocco di sicurezza. **NON** operare l'attrezzatura se il serbatoio entra in contatto con il coperchio.

- ☞ **AVVERTENZA:** le emissioni di pressione sonora ponderata "A" non superano i 70 dB(A) con l'attrezzatura in funzione.

Istruzioni relative alla pulizia e sanificazione

DOPO CIASCUN CICLO DI MARINATURA:

- Rimuovere il coperchio, la guarnizione, il serbatoio, la bacinella di spurgo e il bullone di spurgo e portare al lavandino.
- Sciacquare i componenti e quindi pulirli utilizzando il metodo in tre fasi descritto nel *Manuale operativo* KFC.
- Reinstallare il serbatoio sul telaio della marinatrice e lasciare asciugare nella posizione con il coperchio abbassato fino all'utilizzo successivo.
- Lasciare che coperchio, guarnizione, bacinella di spurgo e bullone di spurgo si asciughino.

ALLA FINE DELLA GIORNATA, QUANDO TUTTE LE MARINATURE SONO FINITE:

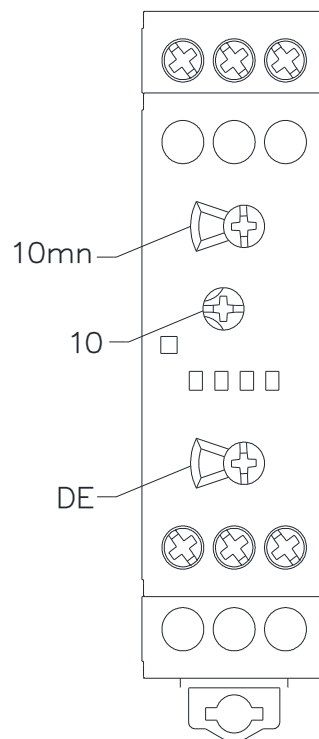
- Ripetere le operazioni di cui sopra: in questo caso, però, smontare il coperchio per pulire a fondo.
- Disconnettere la marinatrice e pulire tutto il telaio della marinatrice (incluse le rotelle) con uno straccio pulito, inumidito di soluzione detergente/sanificante. Lasciare che si asciughi. (N.B.: **NON** pulire con un getto d'acqua l'alloggiamento del motore o le prese d'aria sotto la marinatrice, dato che ciò potrebbe danneggiare i componenti elettrici).
- Rimontare il coperchio dopo che i componenti si sono asciugati completamente.

Istruzioni per l'uso

- Preparare la marinatura come descritto nel *Manuale operativo* KFC.
- Introdurre nel serbatoio il pollo e la marinatura.
- Serrare il coperchio (vedere la sezione Montaggio del coperchio sul serbatoio a pag. 8):
 - L'anello di guarnizione in gomma deve essere inserito fermamente intorno al labbro dell'apertura del serbatoio.

- Tenere il coperchio tramite la maniglia e posizionare la barra di chiusura parallelamente alla lunghezza del coperchio.
- Porre il coperchio sull'apertura del serbatoio e premere verso il basso per assicurare una buona tenuta.
- Girare la maniglia in posizione parallela alla lunghezza del coperchio e spingere la maniglia verso il basso contro il coperchio, in modo da innestare la barra di chiusura.
- Capovolgere il serbatoio per verificare che non vi siano perdite.
- Premere il pulsante nero "Start" (avvio) per avviare la marinatura.
- N.B.: se, per qualsiasi ragione, fosse necessario spegnere la marinatrice, premere il pulsante rosso "Stop" (arresto) che si trova sulla parte anteriore della marinatrice sopra il pulsante nero "Start" (avvio). Tuttavia, non spegnere mai la marinatrice se non in caso di emergenza. Una volta spenta, il timer si reimposta automaticamente per il ciclo completo. Alla fine del ciclo, rimuovere il coperchio e abbassare il coperchio del serbatoio in modo che il prodotto marinato possa cadere nella bacinella di spurgo sopra il bullone di spurgo. Asciugare e reimballare il pollo come descritto nel *Manuale operativo* KFC.

Impostazione del timer



Utilizzare un piccolo cacciavite per impostare gli interruttori come illustrato.

Manutenzione

La marinatrice QMM-4E è stata progettata in modo da non richiedere praticamente alcuna manutenzione. Raccomandiamo, tuttavia, di effettuare periodicamente le verifiche seguenti. **Assicurarsi sempre che l'unità sia scollegata** dall'alimentazione elettrica prima di effettuare qualsiasi operazione di manutenzione o qualsiasi ispezione.

- 9) Controllare che il cavo elettrico non presenti rotture, strappi, tagli ecc. Riparare o sostituire se necessario.
- 10) Lubrificare le rotelle come necessario per garantire che l'unità si possa muovere senza problemi e per evitare guasti prematuri.
- 7) Togliere il coperchio del motore e controllare visivamente che gli elementi seguenti non presentino usura eccessiva e sostituire se necessario:
 - Cuscinetto a crociera – Art. 8 nel diagramma dei componenti
 - Tenuta e molla albero – Rispettivamente Artt. 12 e 13 nel diagramma dei componenti
 - Rondella maniglia serbatoio – Art. 51 nel diagramma dei componenti
 - Rondella di gomma – Art. 54 nel diagramma dei componenti
 - Anello di guarnizione di gomma per il serbatoio – Art. 2 nel diagramma dei componenti
 - Catena motrice – Art. 17 nel diagramma dei componenti
- 16) Controllare che la catena motrice – (Art. 17) sia sufficientemente lubrificata. Se necessario, per assicurare un funzionamento silenzioso, lubrificare con poco olio leggero approvato per l'uso nell'industria alimentare.
- 17) Rimontare il coperchio del motore sull'unità. Applicare una piccola quantità di sigillante al silicone trasparente per uso alimentare tra i bordi inferiori del coperchio del motore e del telaio per sigillare a tenuta.
- 18) Mantenere come nuova la marinatrice QMM-4E pulendola periodicamente con un prodotto approvato per la pulizia e lucidatura dell'acciaio inossidabile

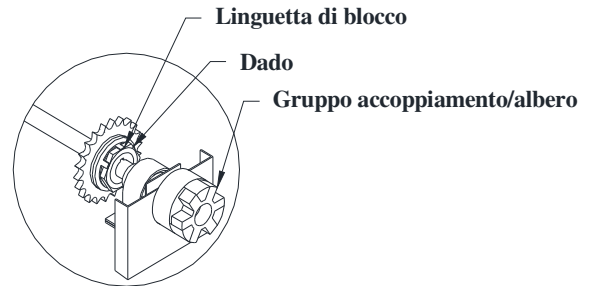
Risoluzione dei problemi

Problema	Soluzione
Il motore funziona, ma il serbatoio non gira.	<ul style="list-style-type: none"> • Regolare il limitatore di coppia (vedere Regolazione del limitatore di coppia)
L'unità funziona solo se si continua a tenere premuto il pulsante Start (avvio).	<ul style="list-style-type: none"> • Interruttore Stop (arresto) difettoso. Verificare e, se difettoso, sostituire. • Timer difettoso. Verificare e, se difettoso, sostituire.
L'unità non funziona per niente.	<ul style="list-style-type: none"> • Controllare il cavo di alimentazione. Assicurarsi che il cavo di alimentazione sia inserito e che non sia difettoso. • È stato azionato il pulsante Reset (ripristino). Premere il pulsante Reset (ripristino). • Il coperchio non è chiuso. Chiudere il coperchio. • Guasto al sensore di prossimità del coperchio. • Timer difettoso. Verificare e, se difettoso, sostituire.
L'unità funziona, ma non per dieci (10) minuti.	<ul style="list-style-type: none"> • Timer non impostato correttamente. Rimuovere il coperchio del motore e resettare il timer su 10 minuti. • Timer difettoso. Verificare e, se difettoso, sostituire.

Regolazione del limitatore di coppia

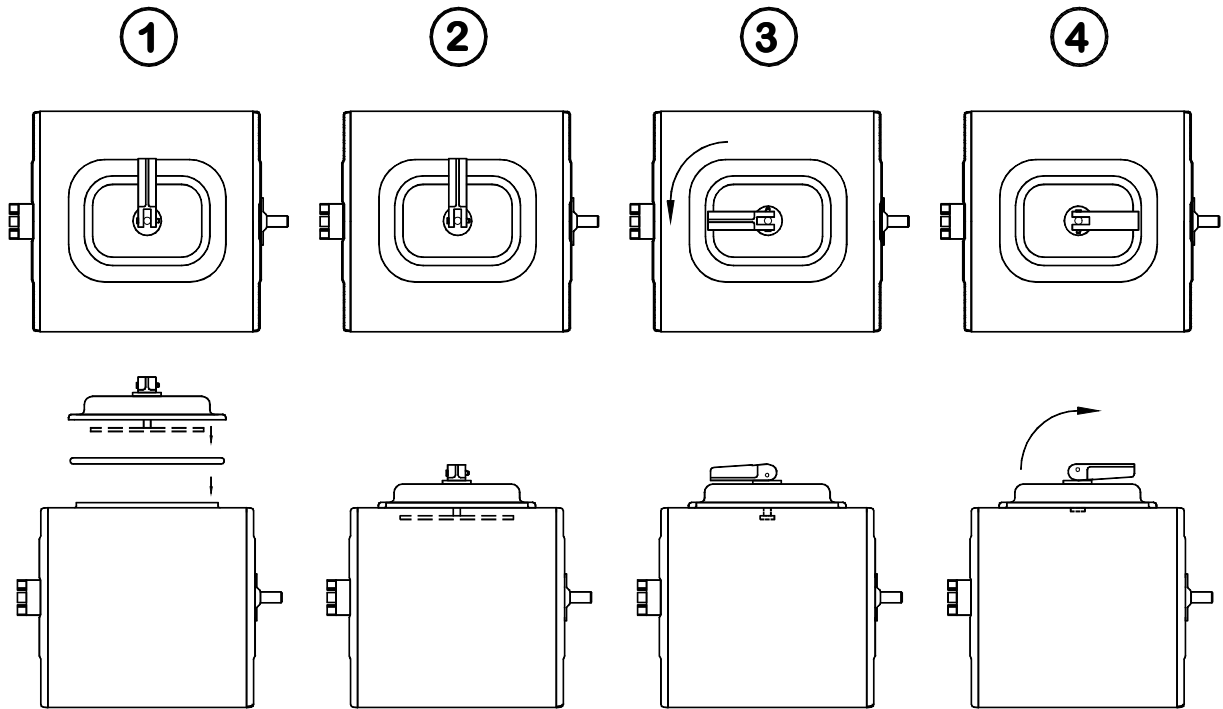
L'impostazione originale del limitatore di coppia è 125 – 150 pollici-libbra (14 - 17 N-m). Durante la vita della marinatrice può essere necessario regolare il limitatore di coppia. Ciò avviene normalmente a causa dell'usura dei pattini antifrizione. Ciò risulta evidente quando il serbatoio mostra segni di prestazioni non uniformi (per es. funzionamento a sbalzi, con slittamento o mancanza totale della rotazione). Quando ciò si verifica, eseguire le operazioni descritte sotto per regolare il limitatore di coppia:

33. Scollegare la marinatrice dall'alimentazione elettrica.
34. Rimuovere il coperchio di sicurezza e quello del motore.
35. Piegare verso l'alto le linguette di blocco.
36. Tenere il gruppo accoppiamento/albero con delle pinze.
37. Serrare il dado di ¼ di giro.
38. Provare l'unità per vedere se il serbatoio gira in modo uniforme senza fermarsi e senza sbalzi.
39. Se il serbatoio non gira in modo uniforme, serrare il dado di un altro ¼ di giro e ritornare al punto 4.
40. Se il serbatoio funziona in modo uniforme, piegare verso il basso le linguette di blocco in modo da fissare il dado.



☞ **ATTENZIONE:** non regolare la coppia del limitatore di coppia su più di 150 pollici-libbra (17 N-m).

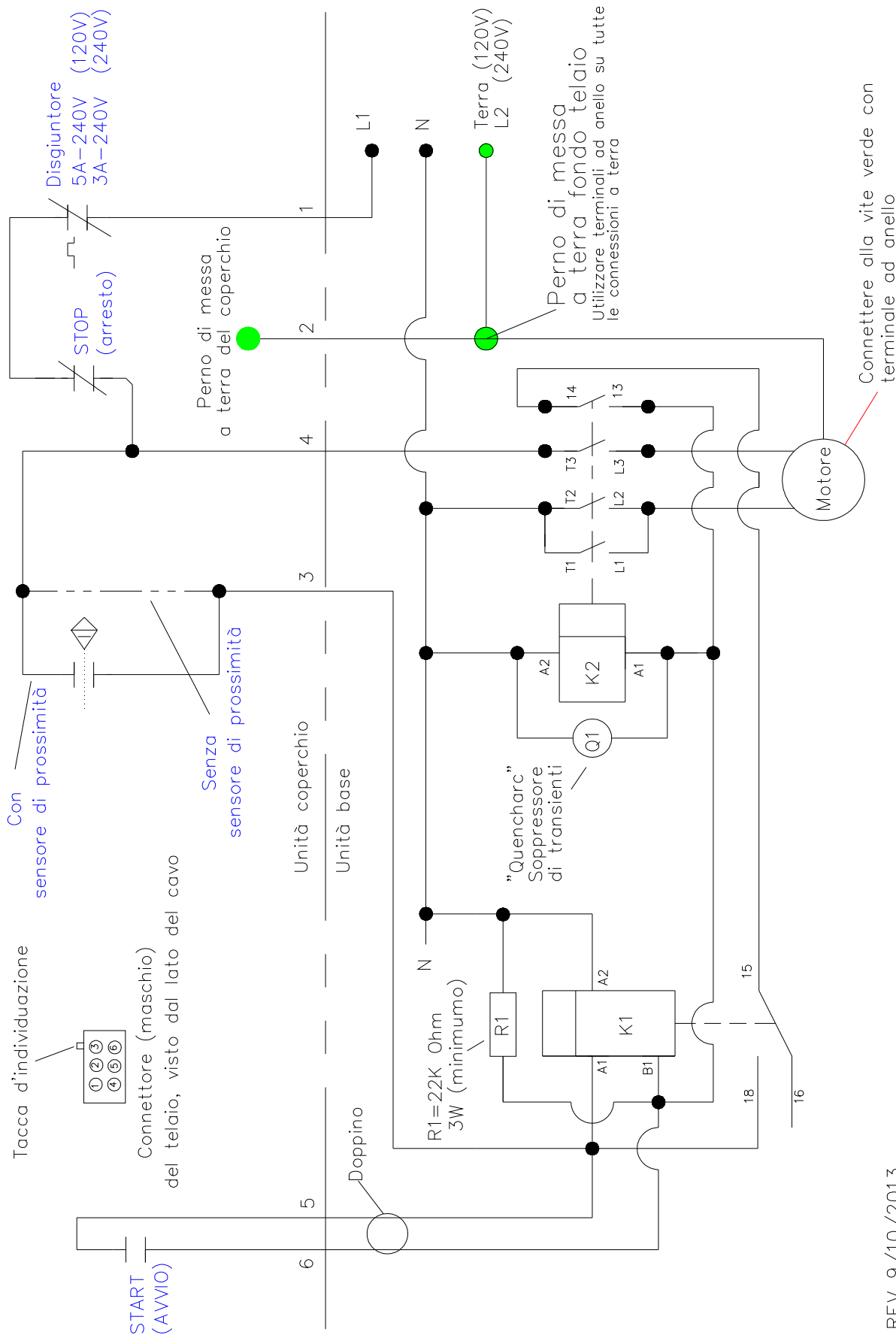
Montaggio del coperchio sul serbatoio



Rimozione del serbatoio

1. Assicurarsi che le rotelle siano in posizione bloccata.
2. Far scorrere il serbatoio di sicurezza riportandolo alla posizione aperta.
3. Svuotare completamente il serbatoio.
4. Controllare che il coperchio sia saldamente collegato al serbatoio.
5. Afferrare saldamente con le mani entrambe le estremità del serbatoio.
6. Sollevare il serbatoio dal lato del mandrino (a destra) fino a liberare il cuscinetto di plastica bianca.
7. Far scivolare il serbatoio verso destra fino al disinnesto dei giunti.
8. Tirare in avanti con cautela il serbatoio fino a liberarlo dal telaio della marinatrice.

Schema elettrico marinerice per QMM-4, -4C, -4M, -DU (UL Listed), QMM-4E (CE Listed)



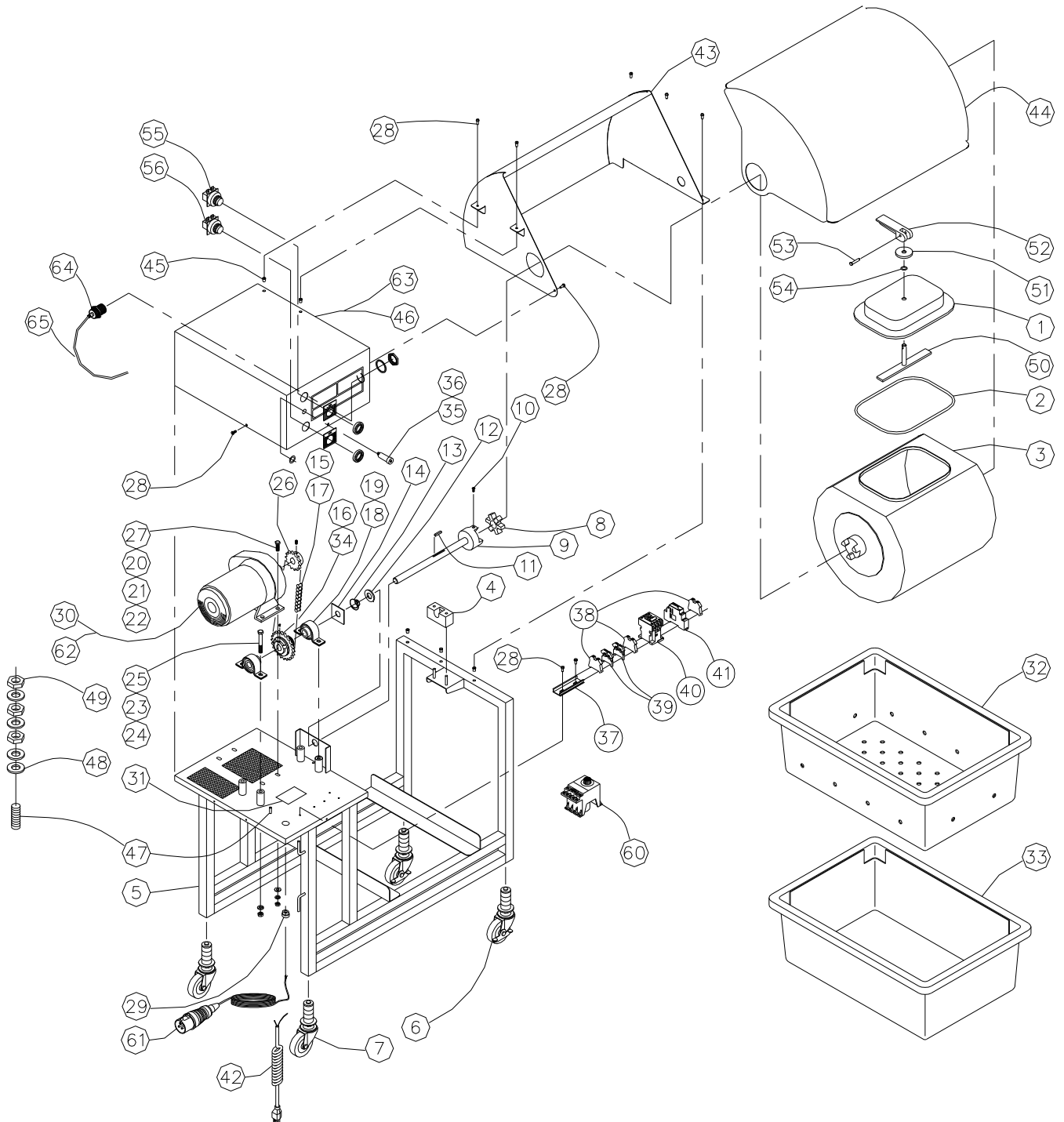
REV 9/10/2013

Distinta componenti marinatrice

Art.	N. componente - Descrizione
1	202414 – Sportello, marinatrice – Nuovo
2	902338 – Guarnizione ad anello o-ring
3	200104 – Sottogruppo serbatoio
4	200108 – Cuscinetto, serbatoio Delrin
5	200109 – Gruppo telaio
6	900031 – Rotella, 3 stelo con freno, girevole
7	900032 – Rotella, 3 stelo girevole
8	900061 – Cuscinetto, crociera
9	200122 – Accoppiamento e albero, gruppo
10	902432 – Vite a ferro, 8/32 x ¼ S/S
11	200125 – Chiave, albero
12	200126 – Tenuta, albero
13	900033 – Molla
14	200127 – Piastra, molla
15	900237 – Collegamento, n.40 connessione
16	900039 – Cuscinetto, limitatore di coppia con vite di fermo
17	900041 – Catena, a rulli passo ½
18	900042 – Cuscinetto, supporto e 3/4
19	900042-1 – Alloggiamento, supporto
20	902451 – Rondella, piatta 5/16 S/S
21	902450 – Rondella, blocco 5/16 S/S divisa
22	902449 – Dado, S/S testa esagonale 5/16-18
23	902459 – Rondella, blocco 3/8 S/S
24	902460 – Dado, esagonale 3/8-16 S/S
25	902433 – Bullone, testa esagonale 3/8-16 x 2.50 S/S
26	900058 – Pignone, ¾ placcato con vite di fermo
27	902434 – Bullone, testa esagonale 5/16-18 x ¾” S/S
28	902431 – Vite, a ferro 10-32 x ½ RH S/S
29	900053 – Boccola, dispositivo di ritenuta elettrica
30	900063 – Motore, ¼ HP – 120V c.a. – (modello USA)
31	902225 – Piastra, coppia
32	200912 – Bacinella, spurgo (con fori)
33	900080 – Contenitore, Max Box in polietilene
34	900137 – Pignone, piastra limitatore di coppia
35	902226 – Protettore circuito, Hein KD-5 (prima di gen./2002)

Art.	N. componente - Descrizione
36	902227 – Anello, Fermo – Hein KD-5 (prima di gen./2002)
35	91F6100 – Disgiuntore, T11-311-5.0 5 Amp circuito (dopo gen./2002)
36	18C2994 – Cuffia, disgiuntore a pulsante (dopo gen./2002)
37	202482 – Barra Din
38	902409 – Arresto, barra Din
39	902410 – Terminale, ingresso barra Din
40	YCIU-9A240 – Contattore (modello europeo)
40	YCIU-9A120 – Contattore (modello USA)
41	902621 – Timer, Finder multitemperatura
42	200323 – Gruppo, cavo alimentazione – (modello USA)
43	202464 – Gruppo, coperchio esterno (modello europeo)
44	202478 – Gruppo, coperchio interno (modello europeo)
45	AKA1-1032-130 – Inserto, dado (10-32) AL Flush (modello europeo)
46	202380 – Alloggiamento, motore marinatrice (modello USA)
47	TFTS-305-101-208-376 – Perno, ¼-20 saldato
48	92141A029 – Rondella, ¼” S/S .050” piatta
49	902452 – Dado, ¼-20 S/S esagonale
50	202420 – Gruppo, marinatrice (nuova) chiusura
51	200089 – Rondella, manico Delrin
52	200225 – Maniglia, camma
53	12SS-07 – Cavicchio, ¼ x 1.3 a rilascio rapido
54	900035 – Rondella, ½” gomma I.D.
55	200400 – Kit, interruttore arresto
56	200399 – Kit, interruttore avvio
57	202418 – Gruppo, coperchio porta (Art. 1, da 50 a 54) - non illustrato
58	202381 – Gruppo, alloggiamento motore (modello USA) - non illustrato
59	202480 – Gruppo, alloggiamento motore (modello europeo) - non illustrato
60	900054 – Timer, Elettrico 120V c.a. (Modello USA)
61	88-309-IQ – Gruppo, cavo alimentazione (modello europeo)
62	910210 – Motore, marinatrice – 220V c.a. – (modello europeo)
63	202480 – Alloggiamento, motore marinatrice (modello europeo)
64	902480 – Sensore, prossimità
65	KB3T-0.4-S90-S1981 – Cavo, sensore prossimità
	64K9105 – Resistenza, 25k Ohm (non illustrata)
	16F3700 – Soppressore di transienti (non illustrato)

Diagramma componenti marinatrice



Specifiche ricambi critici

<u>N. componente</u>	<u>Descrizione</u>	<u>Produttore</u>	<u>N. produttore</u>
902621	Timer	Finder	83.01.0.240.0000
YC1U-9A240	Contattore (240 V)	Idec	YC1U-9A240
YC1U-9A120	Contattore (120 V)	Idec	YC1U-9A120
902480	Sensore di prossimità	Turck	BI15-G30-ADZ30X2-B3131
902481	Cavo sensore prossimità	Turck	KB 3T-0.4/S90/1981
910210	Motore (230V/50Hz)	Klauber	K01302B100
900063	Motore (115 V/60 Hz)	Klauber	K01302A100
900039	Limitatore di coppia	Morse	250TL-3/4"



P.O. Box 7016 - 130 Jones Blvd.
LaVergne, TN 37086-7016
USA

CE-Dichiarazione di conformità


In conformità alla

Direttiva 2006/42/CE relativa alle macchine Direttiva sulla compatibilità elettromagnetica 2004/108/CE

Quality Industries, Inc, dichiara che il prodotto specificato a seguire è conforme a tutti i requisiti pertinenti delle direttive CE sulle macchine 2006/42/CE e sulla compatibilità elettromagnetica 2004/108/CE.

Descrizione:	MARINATRICE
N. modello:	QMM-4E
N. serie:	Ciascuna marinatrice è dotata di un numero di serie identificabile.

Il responsabile autorizzato a compilare la documentazione tecnica è: www.qualityind.com

Firmato:	
Nome:	Ed Drumm
Funzione:	Senior Product Engineer, Quality Industries, Inc
Data:	LaVergne, TN (USA) 15 August, 2012



**Quality
Industries**

Precision Metal Fabrication

MARYNATOR seria QMM-4 (wszystkie modele) Instrukcja obsługi



**LISTED c
459R**



**TYLKO DO ZASTOSOWANIA
KOMERCYJNEGO**

Dział obsługi klienta: tel. 1-615-793-2250

OGRANICZONA GWARANCJA

QUALITY INDUSTRIES gwarantuje oryginalnemu nabywcy przez okres (1) jednego roku od daty wysyłki wyłącznie to, że produkty firmy są wolne od defektów materiałowych i wykonawczych. Jeżeli w tym okresie jakiegokolwiek część produktu firmy Quality Industries ulegnie uszkodzeniu z powodu wad wykonawczych, oryginalny nabywca powinien niezwłocznie powiadomić Dział obsługi klienta firmy QUALITY INDUSTRIES. Roszczenia należy przysyłać na następujący adres: QUALITY INDUSTRIES, 130 Jones Boulevard, P.O. Box 7016, LaVergne Tennessee 37086-7016. QUALITY INDUSTRIES zastrzega sobie prawo do wysłania przedstawiciela działu serwisowego w celu sprawdzenia produktu. Jeżeli firma QUALITY INDUSTRIES stwierdzi, że dowolna część produktu uległa uszkodzeniu z powodu wad materiałowych lub wykonawczych, QUALITY INDUSTRIES, według własnego uznania, dokona naprawy lub wymiany części bez obciążania kosztami oryginalnego nabywcy. Firma QUALITY INDUSTRIES nie przyjmuje żadnej odpowiedzialności za jakiegokolwiek koszty bez uprzedniego pisemnego zatwierdzenia ze strony Działu obsługi klienta.

W okresie pierwszych dziewięćdziesięciu (90) dni okresu gwarancyjnego firma QUALITY INDUSTRIES, po uprzednim uzyskaniu zgody ze strony Działu obsługi klienta, zobowiązuje się do pokrycia wszelkich uzasadnionych kosztów robocizny i transportu, związanych z naprawą lub wymianą.

OGRANICZENIA CZASU TRWANIA I WYŁĄCZENIE DOMNIEMANYCH GWARANCJI

WSZELKIE DOMNIEMANE GWARANCJE, W TYM GWARANCJE POKUPNOŚCI LUB PRZYDATNOŚCI DO OKREŚLONEGO CELU, WYNIKŁE ZE SPRZEDAŻY PRODUKTU FIRMY QUALITY INDUSTRIES, SĄ OGRANICZONE DO OKRESU JEDNEGO (1) ROKU. PO UPŁYWIE TEGO CZASU WSZELKIE DOMNIEMANE GWARANCJE POKUPNOŚCI LUB PRZYDATNOŚCI DO OKREŚLONEGO CELU ZOSTANĄ ZASTĄPIONE NINIEJSZĄ GWARANCJĄ.

W niektórych stanach nie są dozwolone ograniczenia okresu trwania gwarancji domniemanych, w związku z czym powyższe ograniczenia mogą odnosić się nie do wszystkich nabywców.

FIRMA QUALITY INDUSTRIES NIE PONOSI ODPOWIEDZIALNOŚCI ZA JAKIEKOLWIEK PRZYPADKOWE, SZCZEGÓLNE LUB WTÓRNE SZKODY WYNIKŁE ZE SPRZEDAŻY LUB UŻYTKOWANIA JEJ PRODUKTÓW.

W niektórych stanach przepisy prawne nie zezwalają na wykluczenie lub ograniczenie szkód przypadkowych lub wtórnych i z tego względu powyższe wykluczenia mogą odnosić się nie do wszystkich nabywców.

WYŁĄCZENIA

Niniejsza gwarancja nie obejmuje, a firma QUALITY INDUSTRIES nie przyjmuje odpowiedzialności prawnej za jakiegokolwiek szkody wynikłe z następujących powodów:

16. Modyfikacji wprowadzonych do produktu firmy QUALITY INDUSTRIES
17. Niewłaściwego i nieprawidłowego obchodzenia się z produktem firmy QUALITY INDUSTRIES
18. Nieprawidłowego montażu produktu firmy QUALITY INDUSTRIES

Naprawy lub modyfikacje jakiegokolwiek części lub zespołu produktu firmy QUALITY INDUSTRIES bez pisemnej zgody firmy QUALITY INDUSTRIES spowoduje unieważnienie niniejszej gwarancji.

WYCOFANIE PRODUKTÓW

Firma QUALITY INDUSTRIES zastrzega sobie prawo do zażądania zwrotu jakiegokolwiek części lub produktu uznanego za wadliwy w ramach warunków niniejszej gwarancji.

Zwrot musi zostać uprzednio pisemnie zatwierdzony przez Dział obsługi klienta; produkt należy wysłać z opłaconym kosztem transportu za pośrednictwem spedytora wyznaczonego przez Dział obsługi klienta.

Jeżeli zwrot będzie miał miejsce w okresie pierwszych dziewięćdziesięciu (90) dni okresu obowiązywania niniejszej Gwarancji, koszty transportu zostaną klientowi zwrócone.

WARUNKI OGÓLNE

GWARANCJA TA ZASTĘPUJE JAKIEKOLWIEK INNE WYRAŻNE RĘKOJMIE. FIRMA QUALITY INDUSTRIES NIE UPOWAŻNIA ŻADNEJ OSOBY DO WYDAWANIA OŚWIADCZEŃ, KTÓRE STANOWIŁYBY INACZEJ W ODNIESIENIU DO SPRZEDAŻY LUB INSTALACJI PRODUKTU FIRMY QUALITY INDUSTRIES.

Gwarancja nadaje nabywcy szczególne prawa, przy czym może on mieć również inne prawa, które mogą różnić się w zależności od stanu.

Modyfikacje do niniejszej gwarancji mogą być wprowadzone wyłącznie po uprzedniej pisemnej zgodzie, która musi być podpisana przez firmę QUALITY INDUSTRIES.

Spis treści

Rozdział	Strona
Ograniczona gwarancja	2
Ogólne informacje dotyczące bezpieczeństwa	3
Ostrzeżenia	3
Instrukcja czyszczenia i odkażania	4
Instrukcja obsługi	4
Ustawienie czasomierza Finder	5
Konserwacja	5
Rozwiązywanie problemów	6
Regulacja ogranicznika momentu obrotowego	7
Zakładanie pokrywy na pojemnik	8
Zdejmowanie pojemnika	8
Schemat układu elektrycznego FMA015	9
Wykaz części marynatora	10
Schemat części marynatora	11
Specyfikacje krytycznych części wymiennych	12
Deklaracja zgodności - WE	13
Uwagi	14

Ogólne informacje dotyczące bezpieczeństwa

POTENCJALNE ZGROŻENIE	SKUTEK	METODA ZAPOBIEGAWCZA
Elementy ruchome i obrotowe	Mogą spowodować poważne obrażenia.	Nigdy nie należy obsługiwać urządzenia, jeżeli osłony ochronne nie są założone, a mechanizmy zabezpieczające nie funkcjonują prawidłowo.
Porażenie prądem elektrycznym	Może spowodować poważne obrażenia lub śmierć.	Przed wykonywaniem czyszczenia lub jakichkolwiek prac konserwacyjnych lub naprawczych należy odłączyć marynator od źródła zasilania.

Ostrzeżenia

- Marynator QMM-4 jest przeznaczony i sprzedawany wyłącznie do użytku komercyjnego. Użycie urządzenia do zastosowań innych niż komercyjne marynowanie produktów spożywczych jest zabronione i spowoduje unieważnienie wszystkich gwarancji.
- Przed wykonywaniem czyszczenia lub jakichkolwiek prac naprawczych lub konserwacyjnych należy odłączyć marynator od źródła zasilania.
- Zapewnienie pętli okapowej na przewodzie zasilania poniżej gniazda elektrycznego pomoże zapobiec skapywaniu płynów wzdłuż przewodu do gniazda, gdy w trakcie pracy urządzenie jest podłączone do źródła zasilania.
- Urządzenie należy czyścić ręcznikiem zwilżonym w roztworze czyszczącym/odkażającym. **DO CZYSZCZENIA MARYNATORA NIE WOLNO UŻYWAĆ WĘŻA ANI CIŚNIENIOWYCH APARATÓW MYJĄCYCH.**
- **NIE WOLNO SMAROWAĆ ŁOŻYSK ZNAJDUJĄCYCH SIĘ NA ZEWNĄTRZ OSŁONY SILNIKA.**
- Do smarowania kółek i łańcucha napędowego należy używać wyłącznie środków smarnych klasy spożywczej.
- **PRZESTROGA:** Niebezpieczeństwo porażenia prądem elektrycznym. Urządzenia tego **NIE WOLNO** obsługiwać ani przechowywać w warunkach chłodniczych.
- **PRZESTROGA:** Ryzyko skażenia produktów spożywczych. Urządzenia **NIE WOLNO** używać do zastosowań innych niż związane z produktami spożywczymi.
- **PRZESTROGA:** Ryzyko uszkodzenia blokady zabezpieczającej. Urządzenia **NIE WOLNO** obsługiwać, jeżeli pojemnik styka się z pokrywą.
- **UWAGA:** W trakcie pracy urządzenia poziom dźwięku A nie przekracza 70 dB (A).

Instrukcja czyszczenia i odkażania

PO ZAKOŃCZENIU KAŻDEGO CYKLU MARYNOWANIA:

- Zdjąć pokrywę, uszczelkę, pojemnik, tacę ociekową oraz korek spustowy i włożyć elementy do zlewu.
- Opłukać elementy, a następnie wyczyścić stosując 3-etapową metodę, zgodnie z instrukcją podaną w *Podręczniku obsługi KFC*.
- Włożyć pojemnik na ramę marynatora i z opuszczoną pokrywą pozostawić do wyschnięcia do czasu następnego użycia.
- Pozostawić do wyschnięcia pokrywę, uszczelkę, tacę ociekową i korek spustowy.

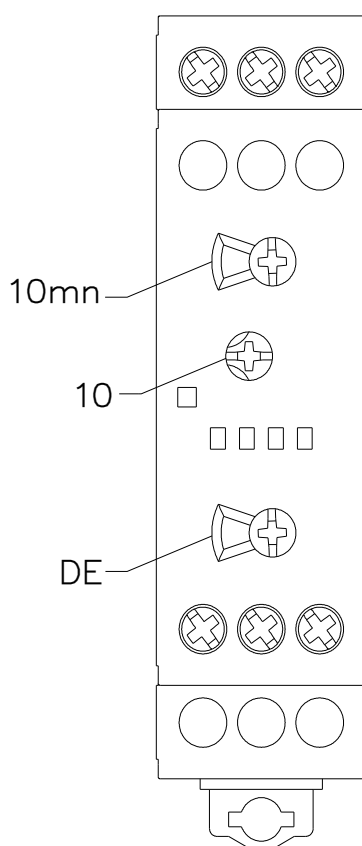
POD KONIEC DNIA LUB PO ZAKOŃCZENIU MARYNOWANIA:

- Powtórzyć wyżej opisane czynności: należy jednak zdemontować pokrywę w celu dokładnego jej wyczyszczenia.
- Odłączyć marynator od źródła zasilania i przetrzeć całą jego obudowę (w tym kółka) czystym ręcznikiem, zwilżonym w roztworze czyszczącym/odkażającym. Pozostawić do wyschnięcia. (**UWAGA:** **NIE** zmywać obudowy silnika ani otworów wentylacyjnych pod marynatorem wodą z węża, ponieważ mogłoby to spowodować uszkodzenie komponentów elektrycznych).
- Po dokładnym wysuszeniu elementów złożyć pokrywę.

Instrukcja obsługi

- Przygotować marynat zgodnie z opisem w Podręczniku obsługi KFC.
- Umieścić kurczaka i marynat w pojemniku.
- Zakryć pokrywą (patrz część Zakładanie pokrywy na pojemnik na stronie 9):
 - Okrągła gumowa uszczelka musi być dokładnie dopasowana do krawędzi wokół otworu pojemnika.
 - Przytrzymać pokrywę za uchwyt i ustawić pręt blokujący równoległe do długości pokrywy.
 - Umieścić pokrywę na otworze pojemnika i wcisnąć do dołu w celu zapewnienia dokładnego uszczelnienia.
 - Obrócić uchwyt do pozycji równoległej z długością pokrywy i wcisnąć go do dołu w celu zablokowania.
 - Obrócić pojemnik do góry nogami, aby sprawdzić, czy nie ma przecieku.
- Nacisnąć czarny przycisk „Start” w celu rozpoczęcia procesu marynowania.
- UWAGA: Jeżeli z jakiegokolwiek powodu zajdzie konieczność wyłączenia marynatora, należy nacisnąć czerwony przycisk „Stop”, znajdujący się w przedniej części marynatora nad czarnym przyciskiem „Start”. Pracę marynatora należy zatrzymać tylko w sytuacji awaryjnej. Po wyłączeniu, nastąpi zresetowanie czasomierza do pełnego cyklu. Po zakończeniu cyklu, zdjąć pokrywę i obrócić pojemnik z pokrywą do dołu, aby zrzucić zamarynowany produkt na tacę ociekową nad korkiem spustowym. Odsączyć i włożyć kurczaka do toreb, zgodnie z procedurą opisaną w Podręczniku obsługi KFC.

Ustawienie czasomierza



Za pomocą małego śrubokręta ustawić przełączniki w sposób przedstawiony na rysunku.

Konserwacja

Marynator QMM-4E został zaprojektowany tak, że w zasadzie nie wymaga konserwacji. Zalecamy jednak okresowe wykonywanie następujących sprawdzianów. Przed wykonywaniem jakichkolwiek czynności konserwacyjnych lub sprawdzianów **należy zawsze upewnić się, że urządzenie jest odłączone** od gniazda zasilania prądem elektrycznym.

- 11) Sprawdzić, czy na przewodzie zasilania nie ma pęknięć, rozdarć, przecięć itd. Naprawić lub wymienić, w zależności od potrzeby.
- 12) Zgodnie z koniecznością nasmarować kółka, aby zapewnić możliwość swobodnego przesuwania urządzenia i zapobiec jego uszkodzeniu.
- 8) Zdjąć osłonę silnika i wizualnie sprawdzić, czy nie nastąpiło nadmierne zużycie niżej wymienionych elementów i, jeśli to konieczne, dokonać ich wymiany:
 - Łożysko krzyżakowe – element 8 na Schemacie części
 - Uszczelka i sprężyna na wałku – elementy 12 i 13 na Schemacie części
 - Podkładka uchwyty pojemnika – element 51 na Schemacie części
 - Gumowa podkładka – element 54 na Schemacie części
 - Okrągła uszczelka pokrywy pojemnika – element 2 na Schemacie części
 - Łańcuch napędowy – element 17 na Schemacie części
- 19) Sprawdzić łańcuch napędowy - (element 17) pod kątem właściwego nasmarowania. Jeśli to konieczne, nasmarować niewielką ilością lekkiego oleju klasy spożywczej, aby zapewnić cichą pracę.
- 20) Założyć na urządzenie osłonę silnika. Pomiedzy dolne krawędzie osłony silnika i ramę wprowadzić niewielką ilość silikonowego uszczelnacza klasy spożywczej w celu zapewnienia dokładnego uszczelnienia.
- 21) Utrzymywać świeży wygląd marynatora QMM-4E poprzez okresowe jego czyszczenie zatwierdzonym środkiem do polerowania/czyszczenia stali nierdzewnej.

Rozwiązywanie problemów

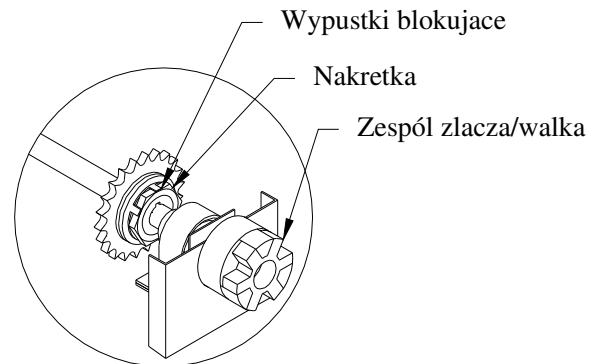
Problem	Rozwiązanie
Silnik pracuje, ale pojemnik nie obraca się.	<ul style="list-style-type: none"> • Wyregulować ogranicznik momentu obrotowego (patrz Regulacja ogranicznika momentu obrotowego)
Urządzenie pracuje wyłącznie przy stale wciśniętym przycisku Start.	<ul style="list-style-type: none"> • Uszkodzony przełącznik Stop. Sprawdzić i wymienić przypadku, gdy jest uszkodzony. • Uszkodzony czasomierz. Sprawdzić i wymienić przypadku, gdy jest uszkodzony.
Urządzenie nie pracuje.	<ul style="list-style-type: none"> • Sprawdzić przewód zasilania. Upewnić się, że jest on podłączony i nie jest uszkodzony. • Przycisk resetowania wyłączył się. Wcisnąć przycisk resetowania. • Pokrywa nie jest zamknięta. Zamknąć pokrywę. • Uszkodzony przełącznik zbliżeniowy pokrywy. • Uszkodzony czasomierz. Sprawdzić i wymienić przypadku, gdy jest uszkodzony.

Urządzenie pracuje, lecz nie przez dziesięć (10) minut.	<ul style="list-style-type: none"> • Nieprawidłowo ustawiony czasomierz. Zdjąć osłonę silnika i zresetować czasomierz na 10 minut. • Uszkodzony czasomierz. Sprawdzić i wymienić przypadku, gdy jest uszkodzony.
---	--

Regulacja ogranicznika momentu obrotowego

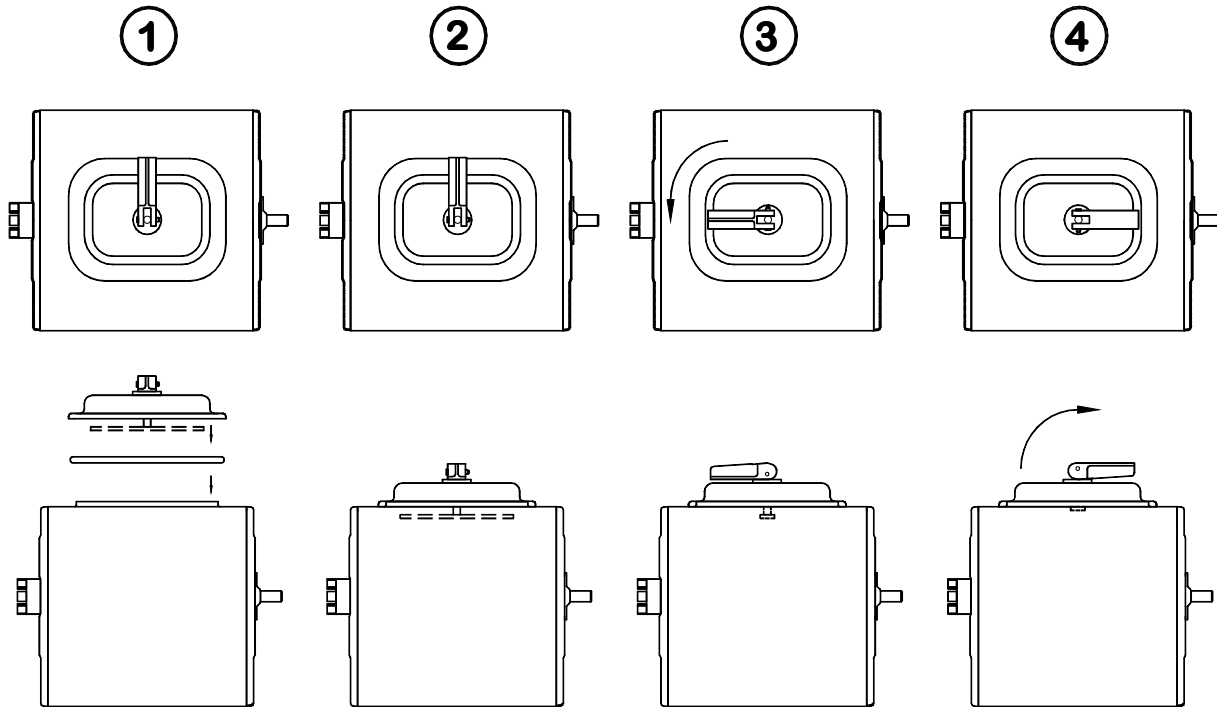
Ogranicznik momentu obrotowego jest fabrycznie ustawiony na wartość 125 – 150 inch-lb (14 - 17 N-m). W okresie użytkowania marynatora może zajść konieczność dokonania regulacji ogranicznika momentu obrotowego. Spowodowane jest to zazwyczaj długotrwałym zużyciem się klocków ciernych. O zjawisku tym świadczą oznaki nierównomiernej pracy pojemnika (np. szarpnięcia, ślizganie się lub zaprzestanie wykonywania obrotów). Gdy pojawią się te oznaki, należy dokonać regulacji ogranicznika momentu obrotowego poprzez wykonanie niżej opisanej procedury:

41. Odłączyć marynator od źródła zasilania.
42. Zdjąć osłony ochronne i osłonę silnika.
43. Wygiąć do góry blokujące wypustki.
44. Przytrzymać szczypcami zespół wałka sprzęgła.
45. Dokręcić nakrętkę o ¼ obrotu.
46. Przetestować urządzenie, aby sprawdzić, czy pojemnik będzie obracać się płynnie, bez zatrzymań lub szarpnięć.
47. Jeżeli ruch obrotowy pojemnika nie jest płynny, dokręcić nakrętkę o kolejne 1/4 obrotu i powrócić do czynności 4.
48. Jeżeli obrót jest płynny, zagiąć do dołu wypustki blokujące, aby zabezpieczyć nakrętkę.



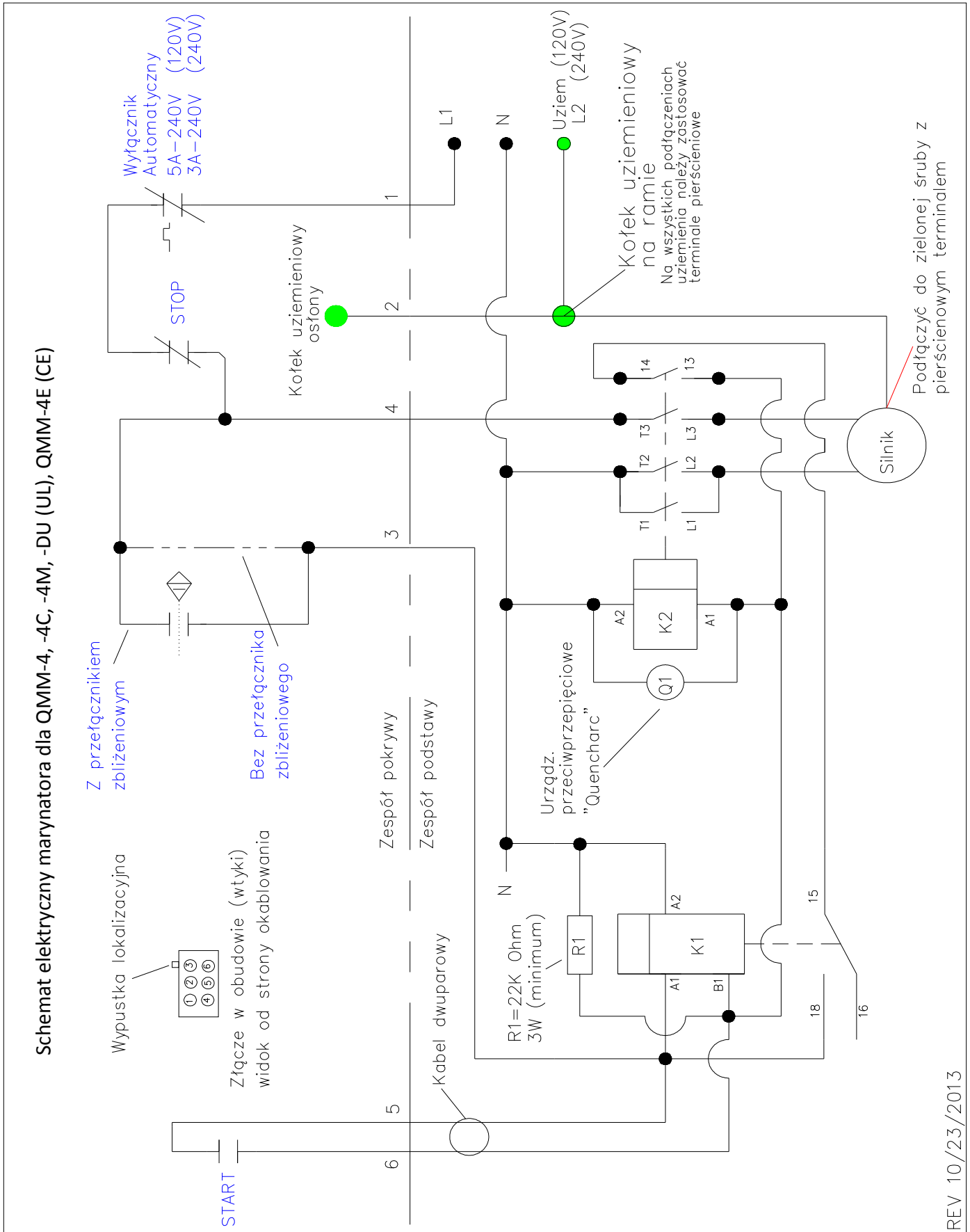
➔ **PRZESTROGA:** Nie nastawiać obrotów ogranicznika momentu obrotowego do wartości wyższej niż 150 inch-lbs (17 N-m).

Zakładanie pokrywy na pojemnik



Zdejmowanie pojemnika

1. Upewnić się, że kółka znajdują się w zablokowanej pozycji.
2. Przesunąć ochronną osłonę do otwartej pozycji.
3. Opróżnić pojemnik z wszelkiej zawartości.
4. Sprawdzić, czy pokrywa jest mocno przytwierdzona do pojemnika.
5. Mocno uchwycić rękami oba końce pojemnika.
6. Unieść pojemnik od strony wrzeciona (z prawej strony) tak, aby znalazł się poza białym, plastikowym łożyskiem.
7. Przesunąć pojemnik w prawo tak, aby nastąpiło odblokowanie złącza.
8. Delikatnie wysuwać pojemnik do przodu, aż znajdzie się poza ramą marynatora.



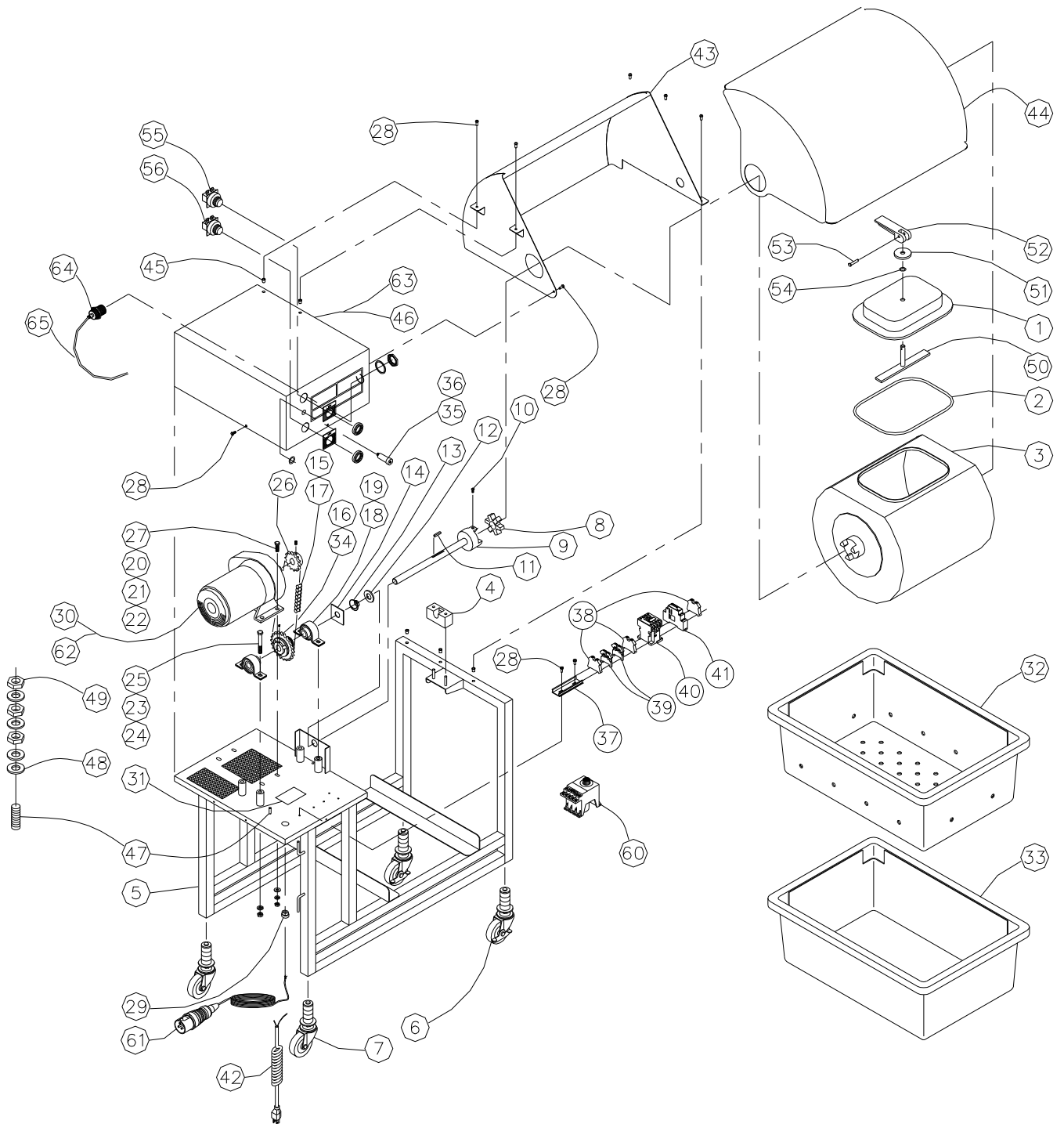
REV 10/23/2013

Wykaz części marynatora

Element	Numer części - opis
1	202414 – drzwiczki marynatora – nowe-
2	902338 – okrągła uszczelka
3	200104 – podzespół pojemnika
4	200108 – łożysko, pojemnik z Delrinu
5	200109 – zespół ramy
6	900031 – kółko, trzon hamulca, 3, połączenie obro
7	900032 – kółko, połączenie obrotowe trzonu, 3
8	900061 – łożysko, krzyżak
9	200122 – zespół, złącze i wałek
10	902432 – śruba, 8/32 x ¼ S/S
11	200125 – wpust, wałek
12	200126 – uszczelka, wałek
13	900033 – sprężyna
14	200127 – płytka, sprężyna
15	900237 – ogniwo, #40
16	900039 – łożysko, ogranicznik mom. obr. ze śr. us
17	900041 – łańcuch, skok ½
18	900042 – łożysko ślizgowe dzielone & 3/4
19	900042-1 – obudowa, łożysko ślizgowe dzielone
20	902451 – podkładka płaska 5/16 S/S
21	902450 – podkładka, blokada 5/16 S/S
22	902449 – nakrętka, S/S sześciokątna 5/16-18
23	902459 – podkładka, blokada 3/8 S/S
24	902460 – nakrętka, sześciokątna 3/8-16 S/S
25	902433 – śruba, sześciokątna 3/8-16 x 2.50 S/S
26	900058 – ząb koła łańc., ¼ powlekany, ze śrubą us
27	902434 – śruba, sześciokątna 5/16-18 x ¾” S/S
28	902431 – śruba, maszyn. 10-32 x ½ RH S/S
29	900053 – tuleja, ogranicznik elektr.
30	900063 – silnik, ¼ HP – 120V AC – (model U.S.)
31	902225 – etykieta, moment obr.
32	200912 – taca ociekowa (z otworami)
33	900080 – pojemnik, polietylenowy Max Box
34	900137 – ząb koła łańc., płytka ogranicz. mom. obr
35	902226 – ochronnik obwodu, Hein KD-5 (przed 1/

Element	Numer części - opis
36	902227 – ustalacz pierścieniowy – Hein KD-5 (przed 1/2002)
35	91F6100 – wyłącznik, T11-311-5.0 5 obwód (po 1/2002)
36	18C2994 – nasuwka, wyłącznik przyciskowy (po 1/2002)
37	202482 – szyna, Din
38	902409 – zderzak, szyna Din
39	902410 – przyłącze, szyna Din (wejście)
40	YCIU-9A240 – stycznik (model europejski)
40	YCIU-9A120 – stycznik (model amer.)
41	902436 – czasomierz Finder, wielonapięciowy
42	202506 – zestaw, przewód zasil. – (model amer.)
43	202464 – zestaw, pokrywa zewn. (model europejski)
44	202478 – zestaw, pokrywa wewn. (model europejski)
45	AKA1-1032-130 – wkładka, nakrętka (10-32) AL Flush (model europ.)
46	202380 – obudowa, silnik marynatora (model amer.)
47	TFTS-305-101-208-376 – śruba dwustronna, ¼-20 spoiwo
48	92141A029 – podkładka, ¼” S/S .050” płaska
49	902452 – nakrętka, ¼-20 S/S sześciokątna
50	202420 – zespół, zatrzask marynatora (nowy)
51	200089 – podkładka, uchwyt z Delrinu
52	200225 – uchwyt, krzywka
53	12SS-07 – kołek, ¼ x 1.3 typu Quick Release
54	900035 – podkładka, ½” I.D. guma
55	200400 – zestaw, wyłącznik (stop)
56	200399 – zestaw, włącznik (start)
57	202418 – zestaw, osłona drzwi (elementy 1, 50 do 54) – nie pokazano
58	202381 – zestaw, obudowa silnika (model amer.) – nie pokazano
59	202480 – zestaw, obudowa silnika (model eur.) – nie pokazano
60	900054 – czasomierz elektr. 120V AC (model amer.)
61	88-309-IQ – zestaw, przewód zasilania (model europ.)
62	910210 – silnik marynatora – 220V AC – (model europ.)
63	202480 – obudowa, silnik marynatora (model europ.)
64	902480 – przełącznik zbliżeniowy
65	KB3T-0.4-S90-S1981 – przewód, przełącznik zbliżeniowy
	64K9105 – opornik, 25k omów (nie pokazano)
	16F3700 – urządz. przeciwprzepięciowe (nie pokazano)

Schemat części marynatora



Specyfikacje krytycznych części wymiennych

<u>Nr części</u>	<u>Opis</u>	<u>Producent</u>	<u>Nr producenta</u>
902436	Czasomierz	Finder	87.01.0.240.0000
YC1U-9A240	Stycznik (240V)	Idec	YC1U-9A240
YC1U-9A120	Stycznik (120 V)	Idec	YC1u-9A120
902480	Przeł. zbliżeniowy	Turck	BI15-G30-ADZ30X2-B3131
902481	Przewód przeł. zbliż	Turck	KB 3T-0.4/S90/1981
910210	Silnik (230V/50Hz)	Klauber	K01302B100
900063	Silnik (115V/60Hz)	Klauber	K01302A100
900039	Ogranicznik mom. o	Morse	250TL-3/4"



P.O. Box 7016 - 130 Jones Blvd.
LaVergne, TN 37086-7016
United States of America

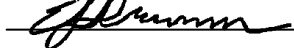
Deklaracja zgodności - WE zgodna z

**Dyrektywą maszynową 2006/42/WE
Dyrektywą zgodności elektromechanicznej 2004/108/WE**

Firma Quality Industries, Inc, niniejszym zaświadcza, że niżej określony produkt spełnia wszystkie stosowne wymagania Dyrektywy maszynowej 2006/42/WE i Dyrektywy zgodności elektromechanicznej 2004/108/WE.

Opis:	MARYNATOR
Model nr:	QMM-4E
Seria nr:	Każdy marynator posiada określony numer serii.

Strona odpowiedzialna za kompilację pliku technicznego: www.qualityind.com

Podpis: 
Imię i nazwisko: Ed Drumm
Stanowisko: Senior Product Engineer, Quality Industries, Inc
Data: LaVergne, TN (USA) 15 sierpnia 2012



Quality Industries

Precision Metal Fabrication

ماكينة تتبيل اللحوم، السلسلة QMM-4 (كافة الطرازات) دليل التشغيل



LISTED c
459R



للاستخدام التجاري فقط

خدمة العملاء: إتصل بالرقم 1-615-793-2250

الكفالة المحدودة

تكفل شركة QUALITY INDUSTRIES للمشتري الأصلي فقط أن منتجاتها خالية من العيوب في المواد أو جودة الصنع لمدة سنة واحدة (1) من تاريخ الشحن. وإن تعطلت أي قطعة من منتج لشركة Quality Industries أثناء هذه المدة بسبب عيب في جودة الصنع، فعلى المشتري الأصلي أن يقوم فوراً بإخطار دائرة خدمة عملاء شركة QUALITY INDUSTRIES. ويجب إرسال المطالبات إلى العنوان التالي: QUALITY INDUSTRIES, 130 Jones Boulevard, P.O. Box 7016, LaVergne Tennessee 37086-7016. وتحفظ شركة QUALITY INDUSTRIES بحق إرسال ممثل خدمة لتفحص منتجها. وحسب التقدير الوحيد لشركة QUALITY INDUSTRIES، إن أثبت التفحص أن أي قطعة من منتجها قد تعطل بسبب عيب في المواد أو جودة الصنع، سنقوم شركة QUALITY INDUSTRIES، حسبما تختاره، بتصليح أو إستبدال القطعة بدون كلفة للمشتري الأصلي. ولن تقبل شركة QUALITY INDUSTRIES بأي مسؤولية عن أي نفقة، بدون موافقة خطية مسبقة من دائرة خدمة عملائنا. خلال الأيام التسعين (90) الأولى من مدة الكفالة، تكون شركة QUALITY INDUSTRIES، بناءً على موافقة خطية مسبقة من دائرة خدمة عملائها، مسؤولة عن أي تكاليف لازمة ومعقولة للبد العاملة والشحن المرتبطين بالتصليح أو الإستبدال.

قصر المدة

وإستبعاد الكفالات الضمنية

أي كفالات ضمنية، بما في ذلك كفالة الصلاحية للسوق أو الملاءمة لغرض معين، تنشأ من بيع منتج لشركة QUALITY INDUSTRIES مقتصرة على مدة سنة واحدة (1). وبعد ذلك التاريخ، تعطى هذه الكفالات الخطية بدلاً من أي كفالات ضمنية للصلاحية للسوق أو الملاءمة لغرض معين. لا تسمح بعض الدول بقصر المدة التي تستغرقها كفالة ضمنية، لذا قد لا تسري عليك المدة المحدودة أعلاه. لن تتحمل شركة QUALITY INDUSTRIES أي تبعية قانونية في شأن أي أضرار عرضية أو خاصة أو إستتباعية ناشئة من بيع أو إستخدام أي من منتجاتها. لا تسمح بعض الدول بإستبعاد ولا الحد من الأضرار العرضية أو الإستتباعية، لذا قد لا تسري عليك القيود أو الحالات الإستثنائية أعلاه.

الحالات الإستثنائية

لا تسري هذه الكفالة ولا تتحمل شركة QUALITY INDUSTRIES أي تبعية قانونية أو مسؤولية عن أي أضرار نتيجة ما يلي:
19. تغيير في منتج لشركة QUALITY INDUSTRIES.
20. الإساءة أو سوء إستخدام منتج لشركة QUALITY INDUSTRIES.
21. التركيب غير الصحيح لمنتج لشركة QUALITY INDUSTRIES.
تصبح هذه الكفالة باطلة في حال أي تصليحات و/أو تبديلات تجرى لأي قطعة أو مجموع قطع منتج لشركة QUALITY INDUSTRIES بدون موافقة خطية من شركة QUALITY INDUSTRIES.

سحب المنتجات من السوق

تحتفظ شركة QUALITY INDUSTRIES بحق طلب إعادة أي قطعة أو منتج ورد إدعاء بأنه معيب بموجب شروط هذه الكفالة. ويجب أن تحظى هذه الإعادة أولاً بموافقة خطية من دائرة خدمة عملائنا ويجب إرسالها بعد دفع رسوم الشحن مسبقاً، وذلك عبر شركة النقل التي تحددها دائرة خدمة العملاء. وسيتم التعويض للعميل عن رسوم الشحن إن تمت الإعادة خلال الأيام التسعين (90) الأولى من هذه الكفالة.

الشروط العامة

تعطى هذه الكفالات بدلاً من أي كفالات صريحة. ولا تصرح شركة QUALITY INDUSTRIES لأي شخص بالإدلاء بأي بيانات مخالفة مرتبطة ببيع وتركيب منتج من شركة QUALITY INDUSTRIES. تعطيك الكفالات حقوقاً قانونية محددة، كما قد تكون لديك حقوق أخرى قد تختلف من دولة إلى أخرى. ويجوز تعديل هذه الكفالة فقط بموجب إتفاق خطي مسبق يجب أن يوقعه مسؤول من شركة QUALITY INDUSTRIES.

جدول المحتويات

الصفحة	الفصل
2	الكفالة المحدودة
3	معلومات السلامة العامة
3	التحذيرات
4	تعليمات التنظيف والتعقيم
4	تعليمات التشغيل
5	ضبط العداد
5	الصيانة
6	تحري الأعطال
6	تعديل محدد عزم الدوران
7	تركيب الغطاء على الحوض
7	نزع الحوض
8	مخطط التوصيلات الكهربائية لـ FMA015
9	قائمة قطع ماكينة تنبيل اللحوم
10	رسم قطع ماكينة تنبيل اللحوم
11	مواصفات القطع الحاسمة
12	ملاحظات

معلومات السلامة العامة

الوقاية	الأثر	الخطر المحتمل
لا تشغل الوحدة في أي وقت بدون وضع أغطية السلامة أو إن كانت أجهزة السلامة لا تعمل بشكل صحيح.	من الممكن أن تسبب إصابة قد تكون حادة.	القطع المتحركة والدوارة
افصل ماكينة تنبيل اللحوم عن مصدر التيار الكهربائي قبل أداء أي تنظيف أو عمل صيانة أو تصليح.	من الممكن أن تسبب إصابة خطيرة أو الموت.	الصدمة الكهربائية

التحذيرات

- ماكينة تنبيل اللحوم QMM-4 مصممة ومباعة للإستعمال التجاري فقط. أي إستعمال لهذه الماكينة لأي شيء آخر غير تنبيل الأغذية التجارية سيكون محظوراً وسيبطل كافة الكفالات.
- افصل دائماً ماكينة التنبيل عن مصدر التيار الكهربائي قبل التنظيف أو أداء أي عمل تصليح أو صيانة.
- السماح لحلقة تقطر في كبل الكهرباء تحت المأخذ الكهربائي سيمنع السوائل من التقطر نزولاً من الشريط حتى داخل المأخذ أثناء وصل الماكينة بمصدر تيار كهربائي أثناء تشغيلها.
- امسح الماكينة لتنظيفها بمنشفة و/أو محلول تنظيف/تعقيم. لا تستخدم خرطوماً أو جهاز غسل بالضغط لتنظيف ماكينة التنبيل.
- لا تقوم بتزييت أو تشحيم أي محامل على خارج غطاء المحرك.

➔ استخدم فقط الزيوت أو المشحومات المصنفة للأغذية لتزيت أو تشحيم القوالب وسلسلة التدوير.

- ➔ **تحذير:** خطر الصدمة الكهربائية. لا تشغل أو تخزن هذه الماكينة في بيئة مبردة/مثلجة.
- ➔ **تحذير:** خطر تلوث الأغذية. لا تستخدم هذا المنتج لأي تطبيقات غير متعلقة بالأغذية.
- ➔ **تحذير:** خطر إلحاق الضرر بقلل السلامة. لا تشغل هذه الماكينة إن تلامس الحوض بالغطاء.
- ➔ **تنبيه:** لا تتجاوز إنبعاثات مستوى ضغط الصوت لمنحنى التوزين-أ 70 ديسيبل (أ) أثناء التشغيل.

تعليمات التنظيف والتعقيم

بعد كل دورة نقع اللحوم:

- انزع الغطاء والحشية والحوض وصبحة التصريف وعروة التصريف، وخذها إلى حوض الغسيل.
- قم بشطف القطع ثم نظفها عبر الوسيلة المؤلفة من 3 خطوات حسبما هو وارد في دليل العمليات لـKFC.
- اعد وضع الحوض على إطار ماكينة التتبيل ودعه يجف في الهواء في موضع غلق الغطاء حتى الاستعمال التالي.
- دع الغطاء والحشية وصحيفة التصريف وعروة التصريف تجف في الهواء.

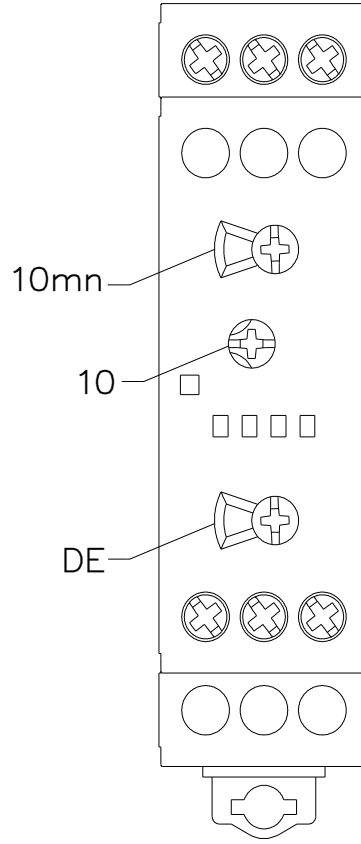
نهاية اليوم أو عند إستكمال كافة عمليات التتبيل:

- كرر الخطوات أعلاه، إنما قم بفصل الغطاء للتنظيف الدقيق.
- انزع القابس الكهربائي لماكينة التتبيل وامسح كامل هيكل ماكينة التتبيل (بما في ذلك الحشوات) بمنشفة نظيفة مرطبة بمحلول تعقيم/تنظيف. دعه يجف في الهواء. (ملاحظة: لا تستخدم الخرطوم لشطف مبيت المحرك أو الفتحات تحت ماكينة التتبيل بالماء إذ قد يؤدي ذلك إلى إلحاق الضرر بالمكونات الكهربائية).
- اعد تركيب الغطاء بعدما يتم الجفاف الهوائي التام للقطع.

تعليمات التشغيل

- قم بتحضير التتبيلة حسبما هو وارد في دليل العمليات لـKFC.
- ضع الدجاج والتتبيلة في الحوض.
- احكم غلق الغطاء (راجع فقرة تركيب الغطاء على الحوض على الصفحة 7):
 - يجب أن تتركب الحلقة الدائرية المطاطية بإحكام حول شفة فتحة الحوض.
 - امسك الغطاء بالمقبض وضع قضيب القفل بموازية طول الغطاء.
 - ضع الغطاء على فتحة الحوض واضغط نزولاً لضمان إحكام الغلق.
 - قم بإدارة المقبض بموازية طول الغطاء، واضغط المقبض نزولاً مقابل الغطاء لتعشيق قضيب القفل.
 - اقلب الحوض رأساً على عقب للتحقق من عدم وجود تسربات.
- اضغط على زر "بداية" [Start] الأسود للبدء بعملية التتبيل.
- ملاحظة: لأي سبب، إن كان عليك وقف تشغيل ماكينة التتبيل، اضغط على زر "وقف" [Stop] الأحمر الواقع في مقدمة ماكينة التتبيل فوق زر "بداية" [Start] الأسود. مع ذلك، لا توقف تشغيل ماكينة التتبيل إلا في حال وقوع طارئة. وما إن يتم وقف التشغيل، سيعود جهاز التوقيت تلقائياً إلى وضعه الأصلي ليقوم بالدورة الكاملة. وعند نهاية الدورة، انزع الغطاء واقلب الحوض نزولاً للسماح للمنتج المتبيل بالسقوط في صبحة التصريف على عروة التصريف. قم بالتصريف وإعادة وضع الدجاج في الكيس حسبما هو وارد في دليل العمليات لـKFC.

ضبط العداد



استخدم مفكاً صغيراً لضبط المفاتيح حسبما هو مبين.

الصيانة

تم تصميم ماكينة تنبيل اللحوم QMM-4E بحيث لا تستلزم عملياً أي صيانة، إلا أننا نوصي بأداء الفحوص التالية دورياً. احرص دائماً على أن تكون الماكينة غير موصولة بمصدر التيار الكهربائي قبل أداء أعمال صيانة أو فحص.

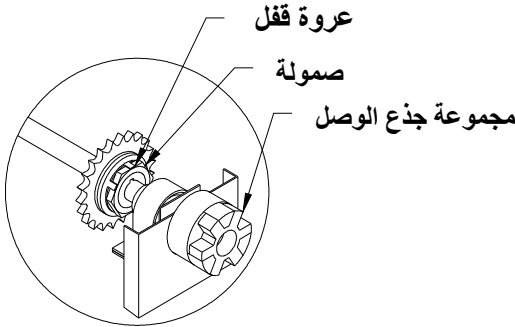
- (1) تفحص الشريط الكهربائي بحثاً عن تمزقات، إنفلاقات، شقوق، إلخ. قم بالتصليح أو الإستبدال حسب الحاجة.
- (2) قم بتزييت حاملات العجلات حسب الحاجة لضمان تدرج الماكينة بحرية ولمنع التعطل السابق لأوانه.
- (3) قم بإزالة غطاء المحرك وتفحص مرئياً ما يلي بحثاً عن وجود بلى مفرط واستبدله إن لزم الأمر:
 - ◀ المحمل العنكبوتي - البند 8 على رسم القطع
 - ◀ سداد ونابض العمود - البندين 12 و13 على التوالي على رسم القطع
 - ◀ حلقة مقبض الحوض - البند 51 على رسم القطع
 - ◀ الحلقة المطاطية - البند 54 على رسم القطع
 - ◀ الحلقة الدائرية لغطاء الحوض - البند 2 على رسم القطع
 - ◀ سلسلة التدوير - البند 17 على رسم القطع
- (4) تفحص سلسلة التدوير - (البند 17) لضمان التزييت الكافي. إن لزم الأمر، قم بالتزييت القليل بزيت خفيف الوزن مصنف للأغذية لضمان التشغيل الهادئ.
- (5) اعد وصل غطاء المحرك بالماكينة. ضع قطرة صغيرة من مادة خاتمة شفافة مصنوعة من السليكون ومصنفة للأغذية بين الطرفين الأسفلين لغطاء وهيكّل المحرك لإحكام الغلق الكامل.
- (6) حافظ على المظهر الجديد لماكينة تنبيل اللحوم QMM-4E من خلال تنظيفها دورياً بمادة تلميع/تنظيف معتمدة للفولاذ الصامد.

تحري الأعطال

المشكلة	الحل
المحرك دائر، لكن الحوض لا يدور.	<ul style="list-style-type: none"> تعدّل محدد عزم الدوران (راجع تعديل محدد عزم الدوران)
الماكينة تدور فقط عند الضغط بإستمرار على زر "بداية" [Start].	<ul style="list-style-type: none"> تعطل مفتاح الوقف. تفحصه واستبدله إن كان معطلاً. تعطل العداد. تفحصه واستبدله إن كان معطلاً.
الماكينة لا تدور على الإطلاق.	<ul style="list-style-type: none"> تفحص شريط الكهرباء. تأكد من أن شريط الكهرباء موصولاً وغير تالف. زر العودة إلى الوضع الأصلي مفصول. اضغط على زر العودة إلى الوضع الأصلي. الغطاء غير مغلق. اغلق الغطاء. تعطل مفتاح التقارب للغطاء. تعطل العداد. تفحصه واستبدله إن كان معطلاً.
الماكينة تدور، لكن ليس لمدة عشر (10) دقائق.	<ul style="list-style-type: none"> جهاز التوقيت محدد بشكل غير صحيح. انزع غطاء المحرك واعد ضبط العداد إلى 10 دقائق. تعطل العداد. تفحصه واستبدله إن كان معطلاً.

تعديل محدد عزم الدوران

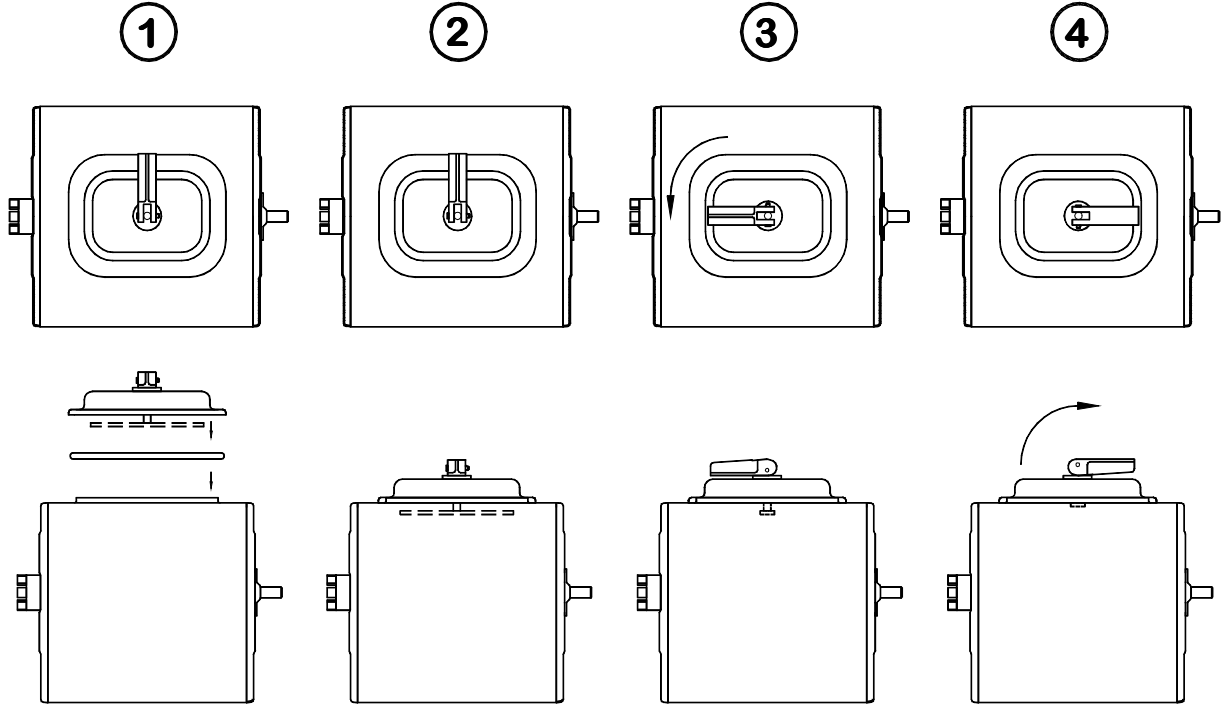
محدد عزم الدوران موضوع من المصنع على 125 - 150 إنش-رطل (14 - 17 نيوتن-متر). وخلال حياة ماكينة تنبيل اللحوم الخاص بك، قد يكون من الضروري تعديل محدد عزم الدوران. ويكون ذلك عادةً نتيجة البلى الطويل على وسادات الإحتكاك. وسيكون ذلك واضحاً عندما يبدأ الحوض بإظهار إشارات أداء متباين (مثل الرج أو الإنزلاق أو لا يدور على الإطلاق). وعندما يحدث ذلك، إتخذ الخطوات الواردة أدناه لتعديل محدد العزم:



1. افصل ماكينة التنبيل عن مصدر التيار الكهربائي.
2. انزع أغطية السلامة وغطاء المحرك.
3. قم بثني عروات القفل صعوداً.
4. امسك بمجموعة جذع الوصل بكماشة.
5. احكم ضبط الصمولة بربع دورة.
6. اختبر الماكينة لترى إن كان الحوض سيدور بسلاسة بدون أي توقف أو رج.
7. إن لم يدر الحوض بسلاسة، احكم ضبط الصمولة بربع دورة أخرى وعد إلى الخطوة 4.
8. إن دار الحوض بسلاسة، قم بثني عروات القفل لإحكام الصمولة.

⦿ **تحذير:** لا تقوم بتعديل عزم محدد لعزم الدوران إلى أكثر من 150 إنش-رطل (17 نيوتن - متر).

تركيب الغطاء على الحوض



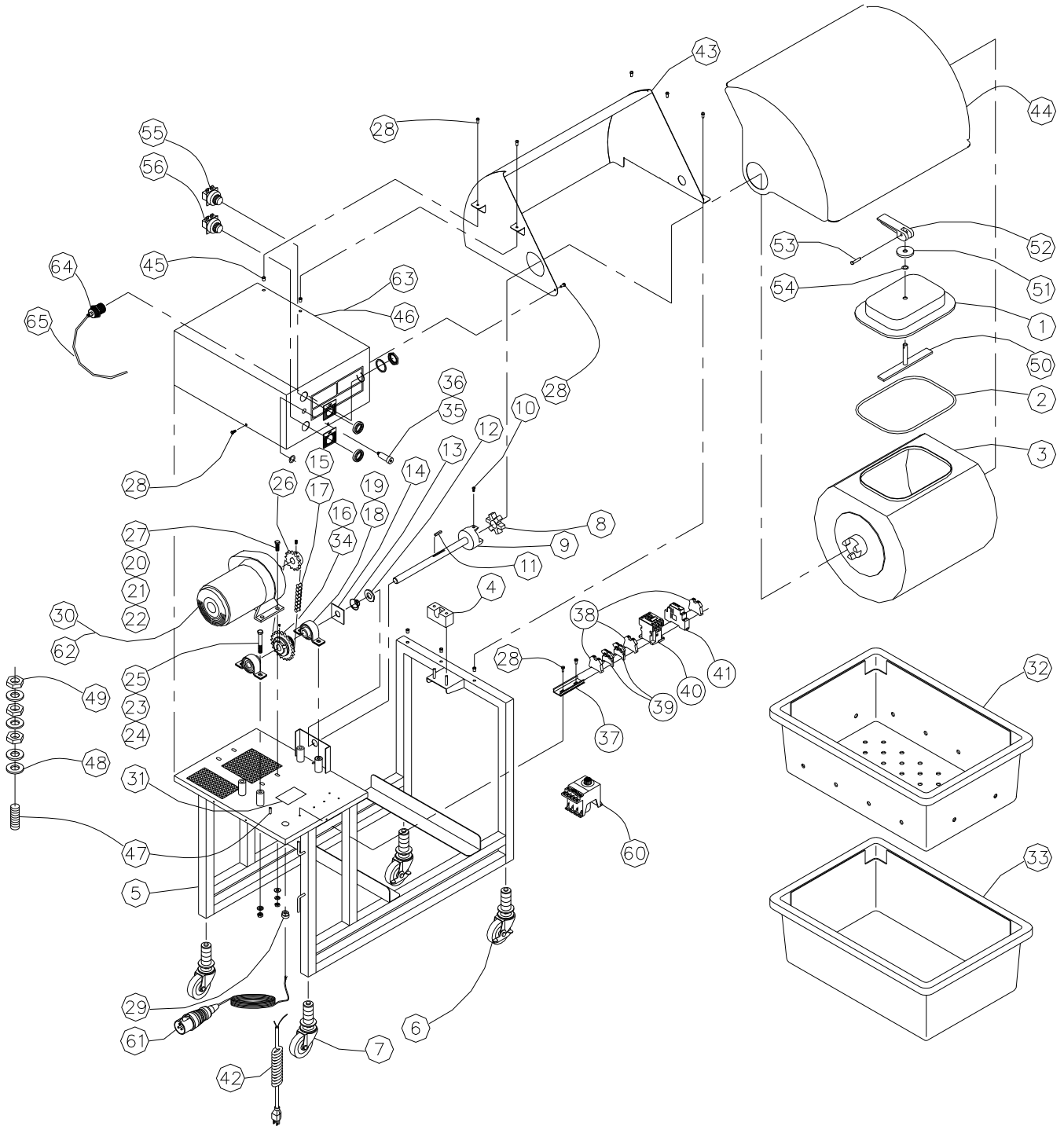
نزع الحوض

- احرص على أن حاملات العجلات في وضع القفل.
- اعد زلق غطاء السلامة إلى وضع الفتح.
- افرغ أي محتويات من الحوض.
- تحقق من أن الغطاء محكم الغلق بالحوض.
- احكم القبض بيديك على كلا طرفي الحوض.
- ارفع عند طرف عمود الدوران (الأيمن) من الحوض حتى تتخلص من المحمل البلاستيكي الأبيض.
- ازلق الحوض إلى اليمين حتى تنفصل الوصلات.
- اسحب برقة الحوض إلى الأمام حتى يتحرر من هيكل ماكينة التتبيل.

قائمة قطع ماكينة تنبيل اللحوم

رقم - وصف القطعة	البند	رقم - وصف القطعة	البند
902227 - حلقة، احتجاز - Hein KD-5 (قبل 2002/1)	36	202414 - باب، ماكينة تنبيل - جديد	1
91F6100 - قاطع، دائرة 5 أمبير T11-311-5.0 (بعد 2002/1)	35	902338 - حلقة دائرية	2
18C2994 - إنهاض، زر ضغط قاطع (بعد 2002/1)	36	200104 - أجزاء تجميع فرعية للحوض	3
202482 - جلبية، سكة	37	200108 - محمل، حوض Delrin	4
902409 - وقف، جلبية سكة	38	200109 - أجزاء تجميع الهيكل	5
902410 - طرف، جلبية سكة مدخل	39	900031 - حامل عجلة، جذع مكبح ثلاثي، دوار	6
YCIU-9A240 - ملامس (طراز أوروبي)	40	900032 - حامل عجلة، دوران ثلاثي الجذع	7
YCIU-9A120 - ملامس (طراز أمريكي)	40	900061 - محمل، عنكبوتي	8
902621 - عداد، معيّن متعدد الفلطية	41	200122 - أجزاء تجميع، وصلة وعمود	9
200323 - أجزاء تجميع، شريط كهربائي - (طراز أمريكي)	42	902432 - برغي، 32/8 × 4/1 فولاذ صامد للمكينات	10
202464 - أجزاء تجميع، غطاء خارجي (طراز أوروبي)	43	200125 - مفتاح، عمود	11
202478 - أجزاء تجميع، غطاء داخلي (طراز أوروبي)	44	200126 - سداد، عمود	12
AKA1-1032-130 - وليجة، صمولة (10-32) ألومنيوم، متساوية (طراز أوروبي)	45	900033 - نابض	13
202380 - مبيت، محرك ماكينة التنبيل (طراز أمريكي)	46	200127 - صفيحة، نابض	14
TFTS-305-101-208-376 - برغي عديم الرأس، 4/1 - 20 للحام	47	900237 - حلقة وصل، #40 للوصل	15
92141A029 - فلانة، 4/1" فولاذ صامد، 050" مسطحة	48	900039 - محمل، محدد عزم دوران مع مجموعة براغي	16
902452 - صمولة، 4/1 - 20 سداسة الرأس وفولاذ صامد	49	900041 - سلسلة، أسطوانية 2/1 دائرة	17
202420 - أجزاء تجميع، مزلاج (جديد) لماكينة تنبيل اللحوم	50	900042 - محمل، كرسي تحميل و4/3	18
200089 - فلانة، مقبض Delrin	51	900042-1 - مبيت، كرسي تحميل	19
200225 - مقبض، كامرة	52	902451 - حلقة، مسطحة فولاذ صامد 16/5	20
12SS-07 - مسمار، 4/1 × 1.3 إطلاق سريع	53	902450 - حلقة، قفل فولاذ صامد 16/5 مجزأ	21
900035 - فلانة، 2/1" قطر داخلي ومطاطية	54	902449 - صمولة، سداسية الرأس فولاذ صامد 16/5-18	22
200400 - عدة، مفتاح الوقف	55	902459 - حلقة، قفل فولاذ صامد 8/3	23
200399 - عدة، مفتاح البداية	56	902460 - صمولة، سداسية الرأس فولاذ صامد 16-8/3	24
202418 - أجزاء تجميع، غطاء الباب (البند 1 و50 حتى 54) - غير مبينة	57	902433 - برغي، سداسي الرأس، فولاذ صامد 16-8/3 × 2.50	25
202381 - أجزاء تجميع، مبيت المحرك (طراز أمريكي) - غير مبينة	58	900058 - عجلة مسننة، مطلية 4/3 مع مجموعة براغي	26
202480 - أجزاء تجميع، مبيت المحرك (طراز أوروبي) - غير مبينة	59	902434 - برغي، سداسي الرأس، فولاذ صامد 16/5 - 18 × 4/3	27
900054 - جهاز توقيت، كهربائي 120 ف تيار متناوب (طراز أمريكي)	60	902431 - برغي، ماخ 31-10 × 2/1 رأس مستدير/ فولاذ صامد	28
88-309-IQ - أجزاء تجميع، شريط، كهربائي (طراز أوروبي)	61	900053 - عازل، معيق كهربائي	29
910210 - محرك، ماكينة تنبيل - 220 ف تيار متناوب (طراز أوروبي)	62	900063 - محرك، 4/1 قدرة حصانية 220 ف تيار متناوب (طراز أمريكي)	30
202480 - مبيت، محرك ماكينة التنبيل (طراز أوروبي)	63	902225 - وسم، عزم	31
902480 - مفتاح، تقارب	64	200912 - صفيحة، تصريف (مع فتحات)	32
KB3T-0.4-S90-S1981 - شريط، مفتاح تقارب	65	900080 - حاوية، صندوق بولي إيثيلين نوع Max	33
64K9105 - مقاوم، 25 ألف أوم (غير مبيّن)		900137 - عجلة مسننة، صفيحة محددة عزم الدوران	34
16F3700 - مخمد، التمرور (غير مبيّن)		902226 - وافي الدائرة، Hein KD-5 (قبل 2002/1)	35

رسم قطع ماكينة تنبيل اللحوم



مواصفات قطع الغيار الحاسمة

<u>رقم القطعة</u>	<u>الوصف</u>	<u>شركة الصنع</u>	<u>رقم الصنع</u>
902621	جهاز توقيت	Finder	83.01.0.240.0000
YC1U-9A240	ملاص (240 ف)	Idec	YC1U-9A240
YC1U-9A120	ملاص (120 ف)	Idec	YC1U-9A120
902480	مفتاح تقاربي	Turck	BI15-G30-ADZ30X2-B3131
902481	شريط مفتاح تقاربي	Turck	KB 3T-0.4/S90/1981
910210	محرك (230ف/50 هرتز)	Klauber	K01302B100
900063	محرك (115ف/60 هرتز)	Klauber	K01302A100
900039	محدد عزم دوران	Morse	250TL-3/4"

المفوضية الأوروبية - إقرار توافق وفقاً لـ

الأمر التوجيهي للمفوضية الأوروبية في شأن الماكينات 2006/42/EC
الأمر التوجيهي للمفوضية الأوروبية في شأن التوافق الكهربائي الميكانيكي 2004/108/EC

نحن، شركة Quality Industries, Inc، نقر بأن المنتج المحدد أدناه يستوفي كافة الشروط المتصلة به في "الأمر التوجيهي للمفوضية الأوروبية في شأن الماكينات" [EC Machinery Directive] 2006/42/EC و"الأمر التوجيهي للمفوضية الأوروبية في شأن التوافق الكهربائي الميكانيكي" [EC Electromechanical Compatibility Directive] 2004/108/EC.

الوصف:	ماكينة تنبيل اللحوم
رقم الطراز:	QMM-4E
الرقم المتسلسل:	تحمل كل ماكينة تنبيل رقماً متسلسلاً متميزاً.

الطرف المعتمد لتأليف الملف التقني هو:



إد درام [Ed Drumm]
كبير مهندسي المنتجات،
Quality Industries, Inc.
LaVergne, TN (USA) 15 أغسطس/آب 2012

التوقيع:
الاسم:
المنصب:
التاريخ:

