

Service part catalogue

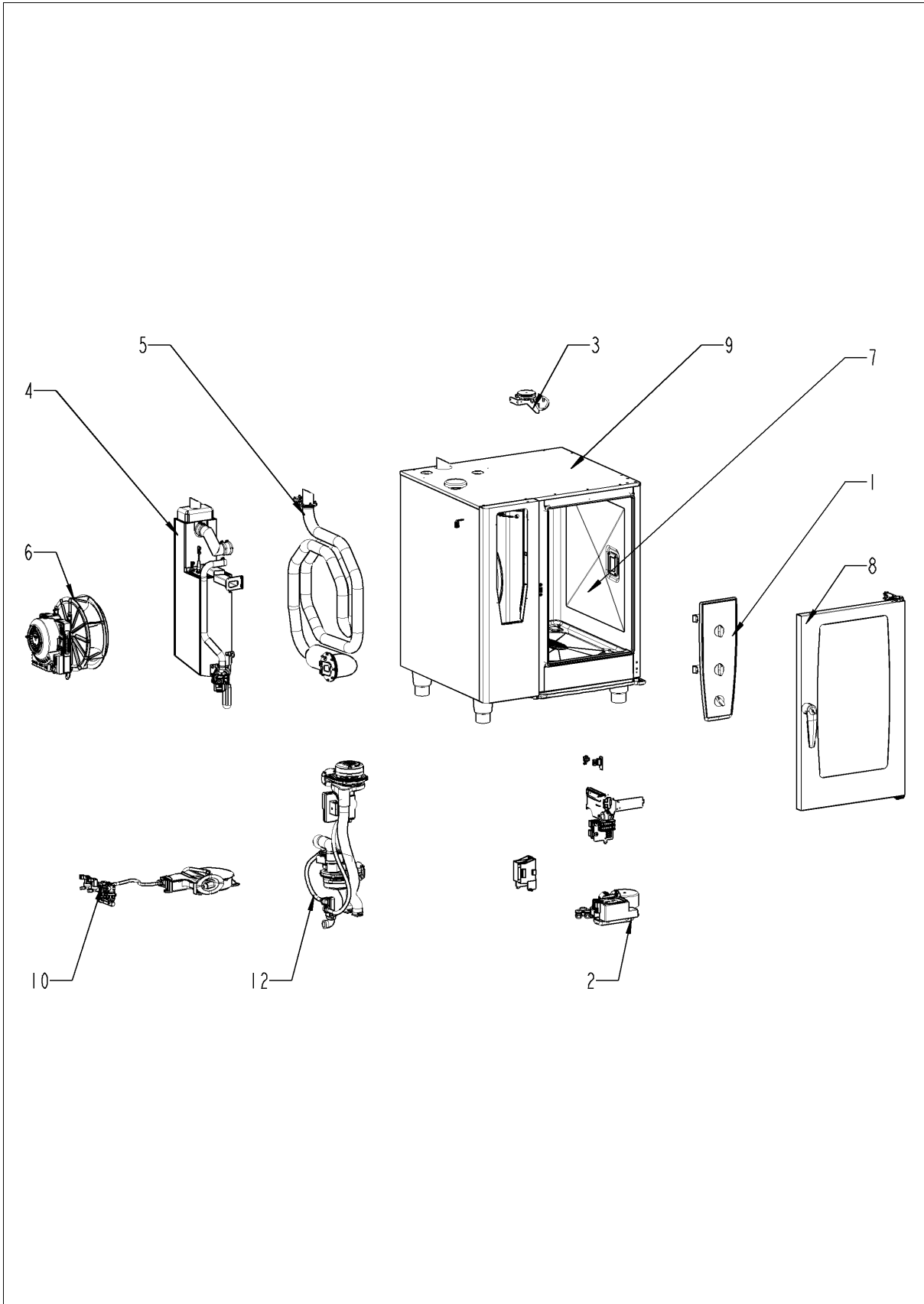
SelfCookingCenter® whiteefficiency®

Combi Master 101 - 10 x 1/1 GastronormG

G11MH1111



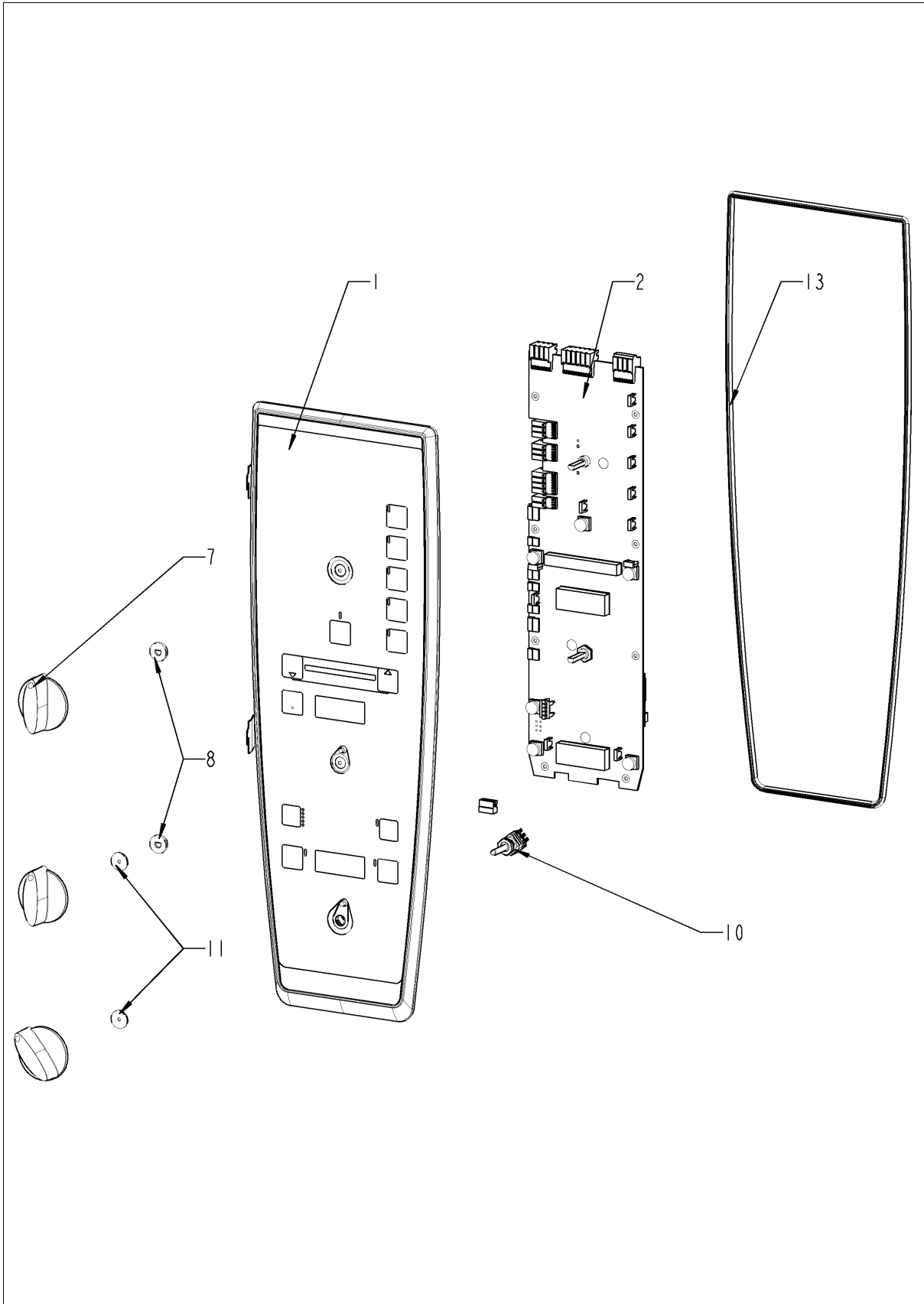
SelfCookingCenter® whiteefficiency®



SelfCookingCenter® whiteefficiency®

Pos.	Part No.	Description	Qty.
1		Control panel	1
2		Electrical installation	1
3		ClimaPlus	1
4		Steam generator	1
5		Hot air heating	1
6		Motor and fan wheel	1
7		Interior cabinet	1
8		Door	1
9		Exterior cabinet	1
10		Water	1
11		CleanJet + Care	1
12		Gas parts	1
13		Standard accessory	1

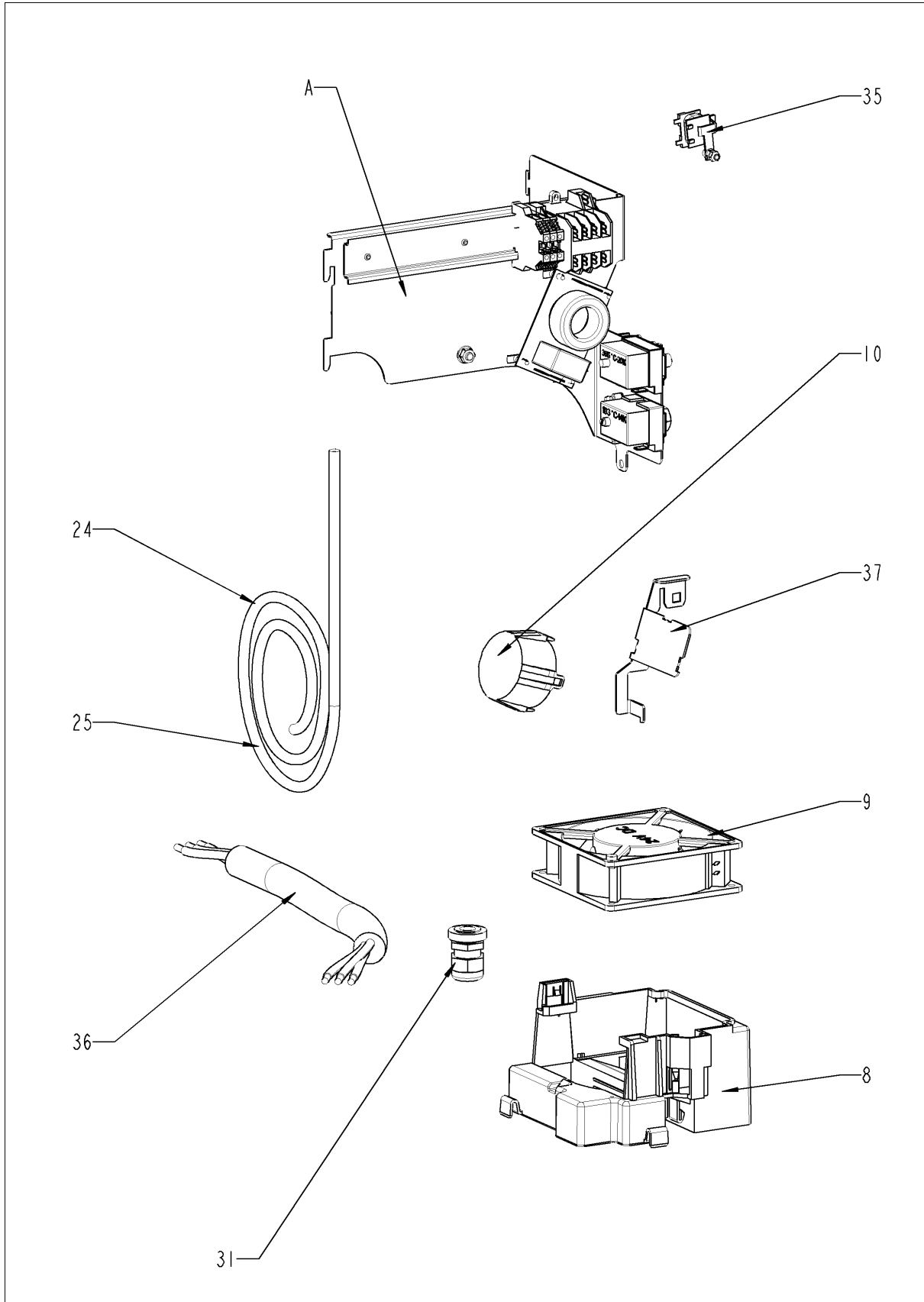
Control panel



Control panel

Pos.	Part No.	Description	Qty.
1	87.01.006	Control panel insert with overlay *RAT*	1
2	42.00.161	Control pcb	1
7	16.00.282	Dial	3
8	5110.1027	Distance plate for front panel	2
10	40.00.464	Potentiometer CT	1
11	5110.1029	Gasket mode switch	2
13	16.01.908	Sealing f. panel insert	1

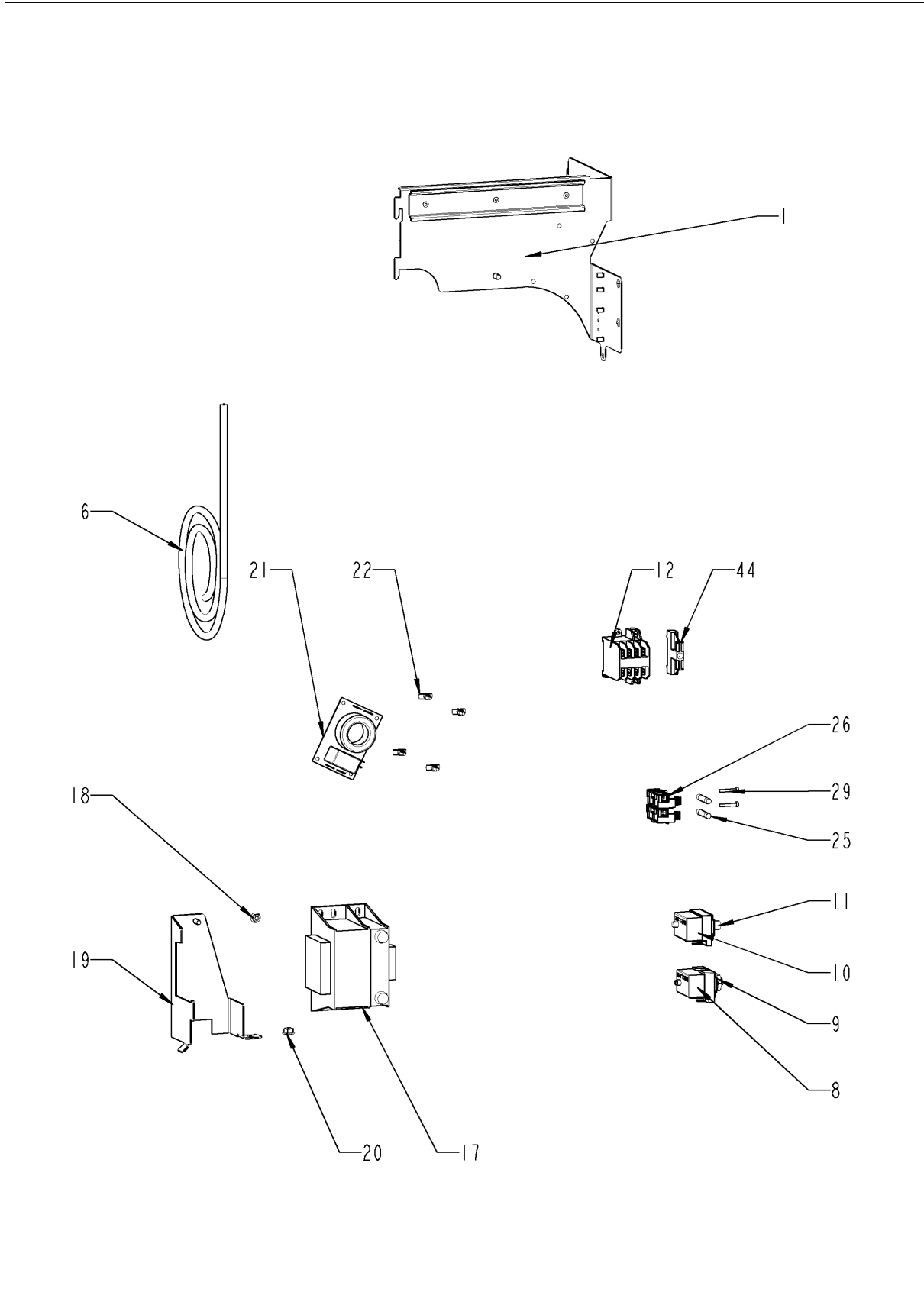
Electrical installation



Electrical installation

Pos.	Part No.	Description	Qty.
8	40.03.660	Fan housing	1
9	40.03.428	Cooling fan	1
10	40.03.257	Converter 230VAC 24VDC	1
24	40.03.995	Bus cable 0.85m	1
25	40.03.995	Bus cable 0.85m	1
27	40.00.279	Power transformer	1
29	1008.0766	Hex screw M8x30	1
31	40.00.320	Cable connection M20x1.5	1
35	40.04.048	Buzzer	1
36	40.01.597	Power supply cable 3xAWG14	1
37	40.03.391	Mounting device converter	1
A		Electrical installation	1

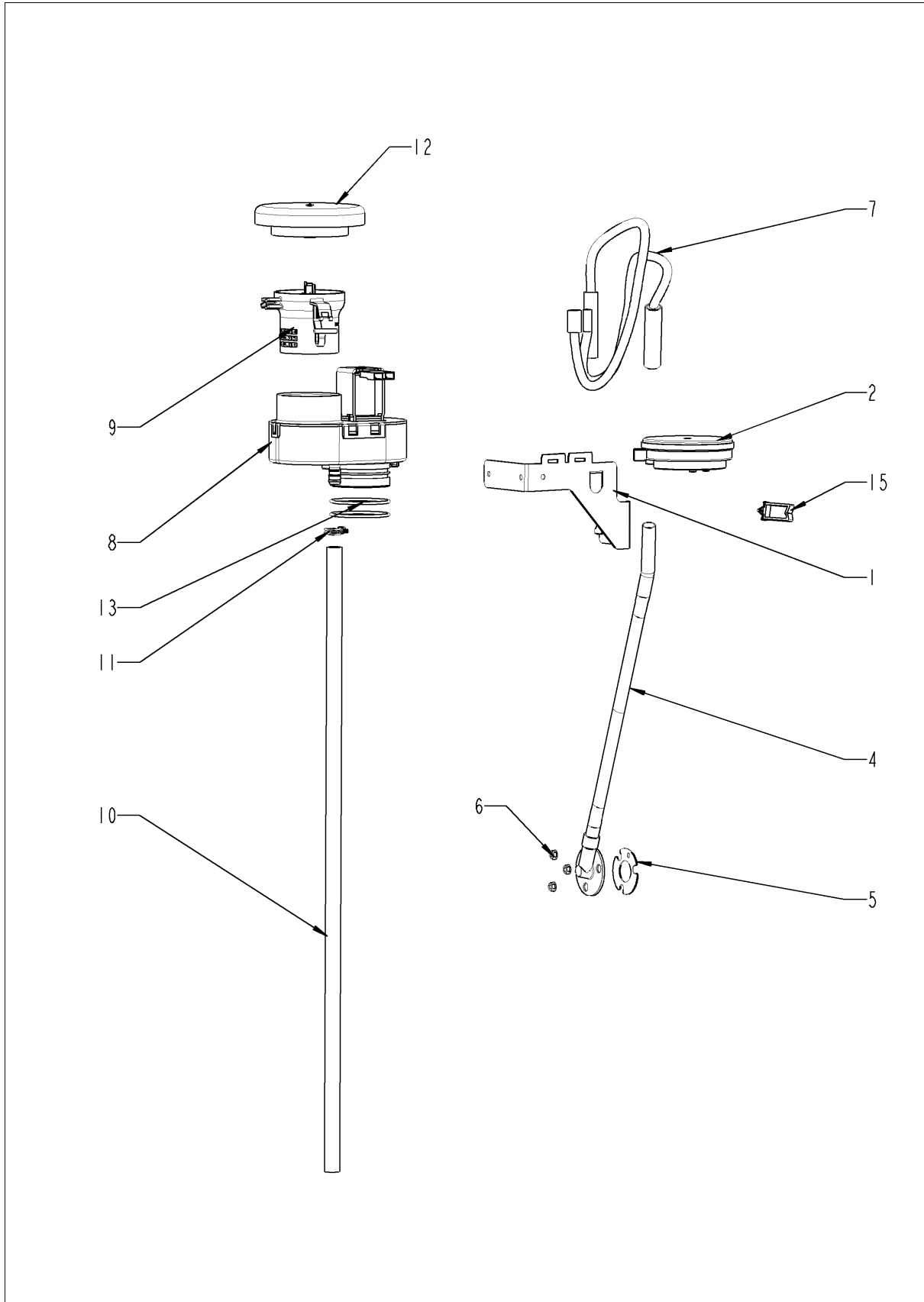
Electrical installation



Electrical installation

Pos.	Part No.	Description	Qty.
1	40.03.322	Contactor assembly	1
6	40.03.817	Cable control harness	1
7	40.04.181	Cable harness isolating transformer	1
8	40.02.515	Dry up protector 315°F/157°C	1
9	3014.0302	Hex nut M10 for dry-up protector	1
10	40.01.482	Safety temperature limiter 365°C	1
11	3014.0327	Hex nut M10x1,0	1
12	40.03.761	Contactor 3TG1010-3AK2	1
17	40.03.348	Control transformer T1	1
18	10.01.065	Hex nut M5	1
19	40.03.404	Mounting support transformer	1
20	10.01.065	Hex nut M5	1
21	40.01.483	Electronic noise filter	1
22	40.01.579	Fixing clip f. pcb	4
25	40.01.873	Fuse SC-15A 10x38	2
26	40.02.512	Fuse holder 2x6.3A	1
26	40.01.487	Fuse holder 2pol	1
29	10.00.365	Pan head screw Torx M3x20	2

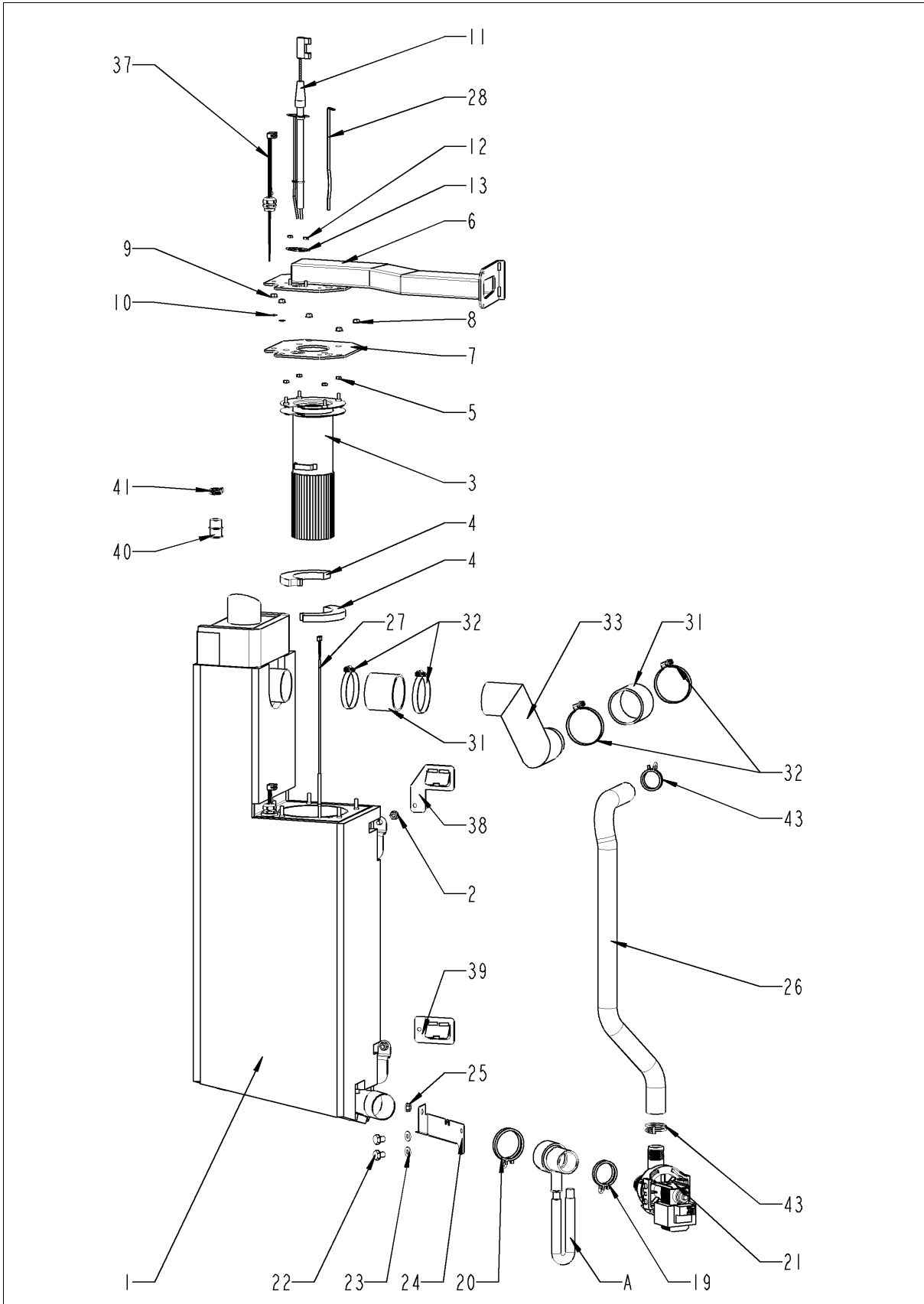
ClimaPlus



ClimaPlus

Pos.	Part No.	Description	Qty.
1	22.00.882	Mounting device f. pressure sensor	1
2	3017.1011	Pressure sensor for humidity control Huba 401	1
4	22.00.850	Outer humidity meas. Piece	1
5	22.00.881	Gasket f. hum. meas. Pipe	1
6	1104.0122	Hex combination nut M4 galv	3
7	22.00.525	Hose set f. humidity control	1
8	22.00.725	Humidity control cpl.	1
9	22.00.915	Air inlet pipe	1
10	22.00.959	Drain hose for humidity control	1
11	2066.0527	Hose clamp ø14mm	2
12	22.00.767	Vent cover	1
13	22.00.837	O-ring for humidity control	2
15	10.00.111	Cable clip long	2

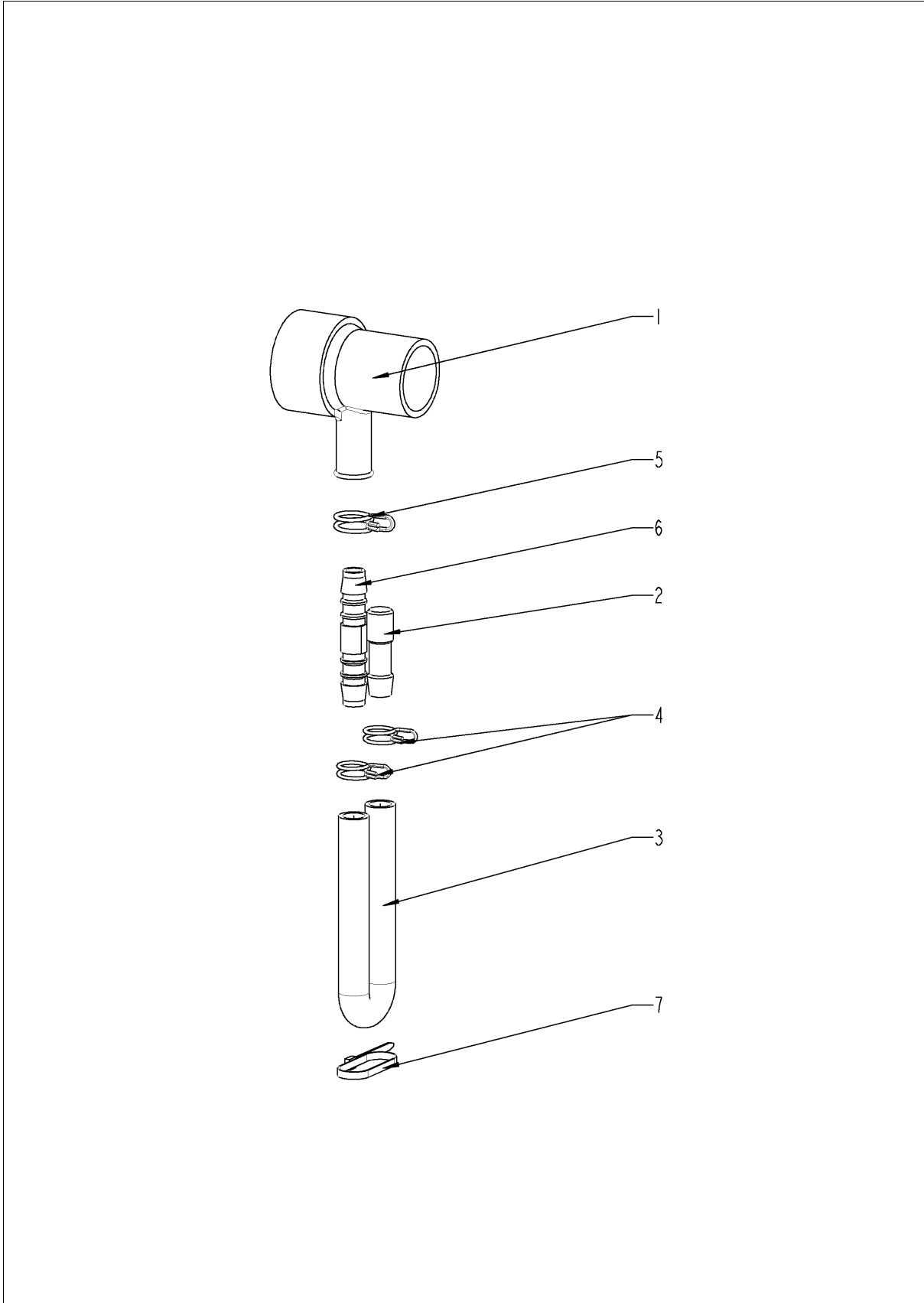
Steam generator



Steam generator

Pos.	Part No.	Description	Qty.
1	44.00.942	Steam generator insolated	1
2	10.00.709	Hex nut M6 w. locking	1
3	72.00.076	Burner steam gen.	1
4	72.00.077	Insulation f. burner steam gen.	2
5	1104.0122	Hex combination nut M4 galv	4
6	70.00.477	Burner pipe	1
7	72.00.067	Gasket f. burner carrier	1
8	1105.0121	Hex combination nut M5 galv	3
9	1105.0120	Hex nut M5	2
10	1205.0120	Tooth lock washer A5,3	2
11	44.01.237	Ignition electrode steam generator	1
12	1104.0120	Hex nut M4	2
13	44.00.250	Gasket f. ignition electrode	1
19	2066.0519	Hose clamp 35,6mm	1
20	2066.0526	Hose clamp ø46mm	1
21	44.00.207	Emptying pump	1
22	1006.0762	Hex screw M6x10	2
23	1306.0222	Washer A6,4x15x1,5	2
24	44.01.280	Fixing device f. pump steam generator	1
25	10.00.709	Hex nut M6 w. locking	2
26	44.01.213	Drain hose steam generator	1
27	40.04.109	Thermocouple steam generator *B5*	1
28	44.00.517	Fixing plate steam generator thermostat	1
31	2112.1006	Steam hose 50x7mm	2
32	2066.0504	Hose clamp 40-60mm	4
33	44.01.075	Steam pipe	1
37	44.00.287	Filling level electrode 135mm	1
38	44.01.168	Fixing angle steam generator	1
39	44.01.181	Fixing angle steam generator	1
40	44.01.031	Closing cap for steam generator	1
41	10.00.982	Hose clamp D=18.2	1
43	2066.0518	Hose clamp 30mm	2
A	8354.1320	Pump connection spout cpl.	1

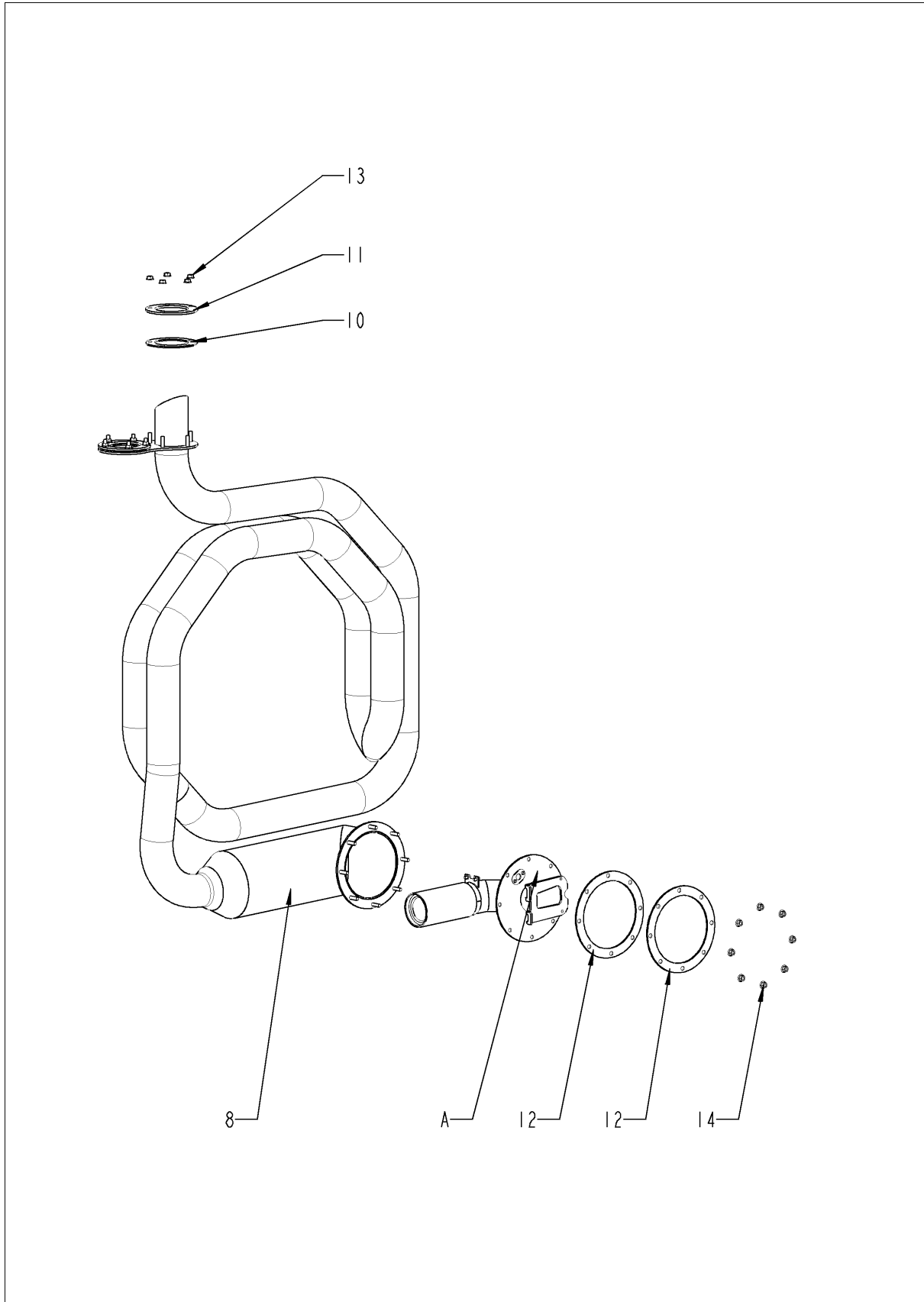
Pump connection spout



Pump connection spout

Pos.	Part No.	Description	Qty.
1	2118.1000	Pump connection spout	1
2	2120.1259	Stop plug 10mm	1
3	2110.1008	Silicon hose \varnothing 10x2mm	1
4	2066.0527	Hose clamp \varnothing 14mm	2
5	2066.0530	Hose clamp \varnothing 16.4mm	1
6	2062.0331	Junction pressure hose GS 10	1
7	4005.0101	Tie rap 145 mm	1

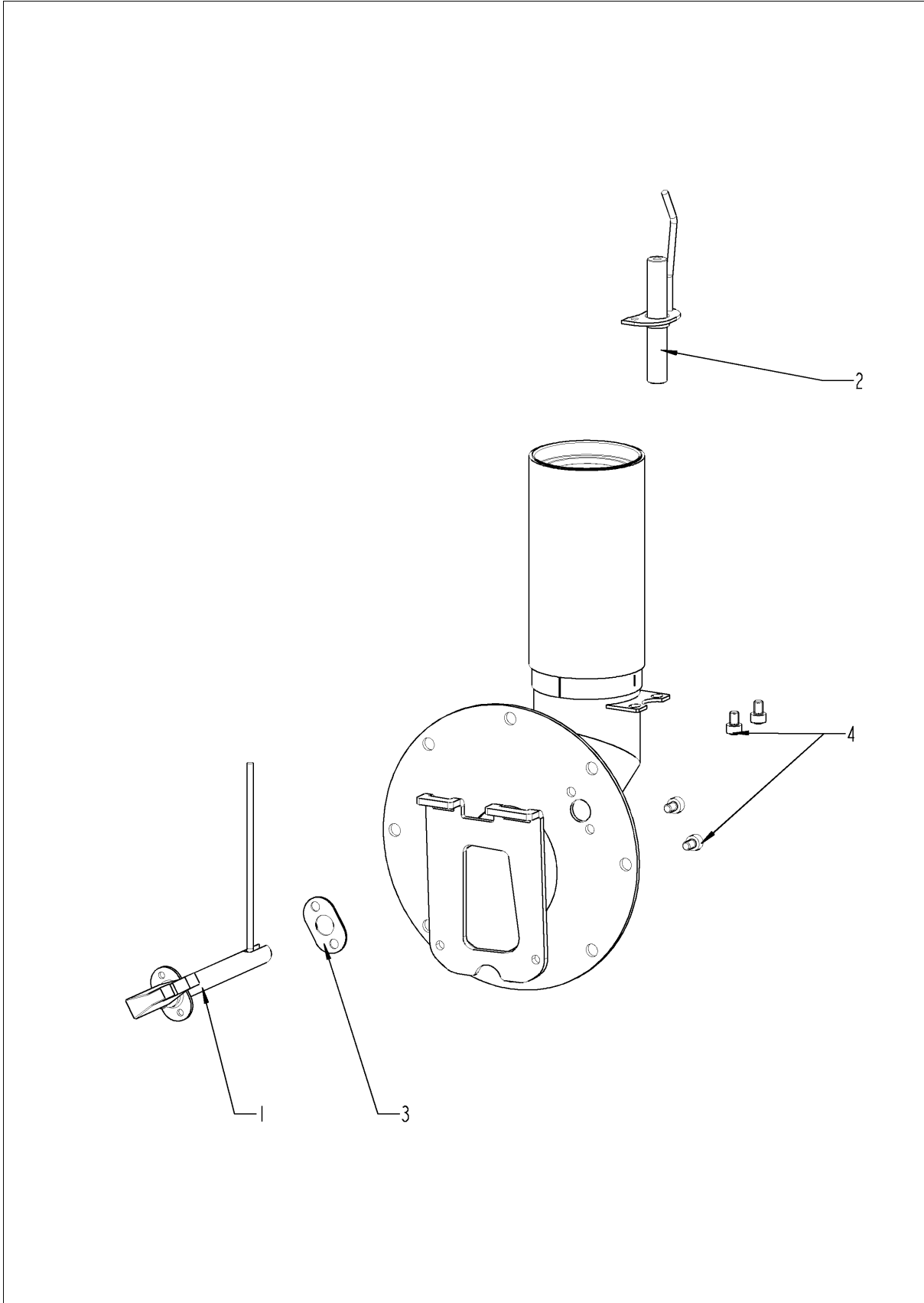
Hot air heating



Hot air heating

Pos.	Part No.	Description	Qty.
8	74.00.745	Hot air heat exchanger	1
10	74.00.814	Gasket hot air heat exchanger/interior cabinet	2
11	74.00.813	Mating flange heat exchanger	2
12	74.00.296	Gasket f. heat exchanger below	2
13	10.01.065	Hex nut M5	10
14	10.01.065	Hex nut M5	8
A	74.00.631	Burner hot air	1

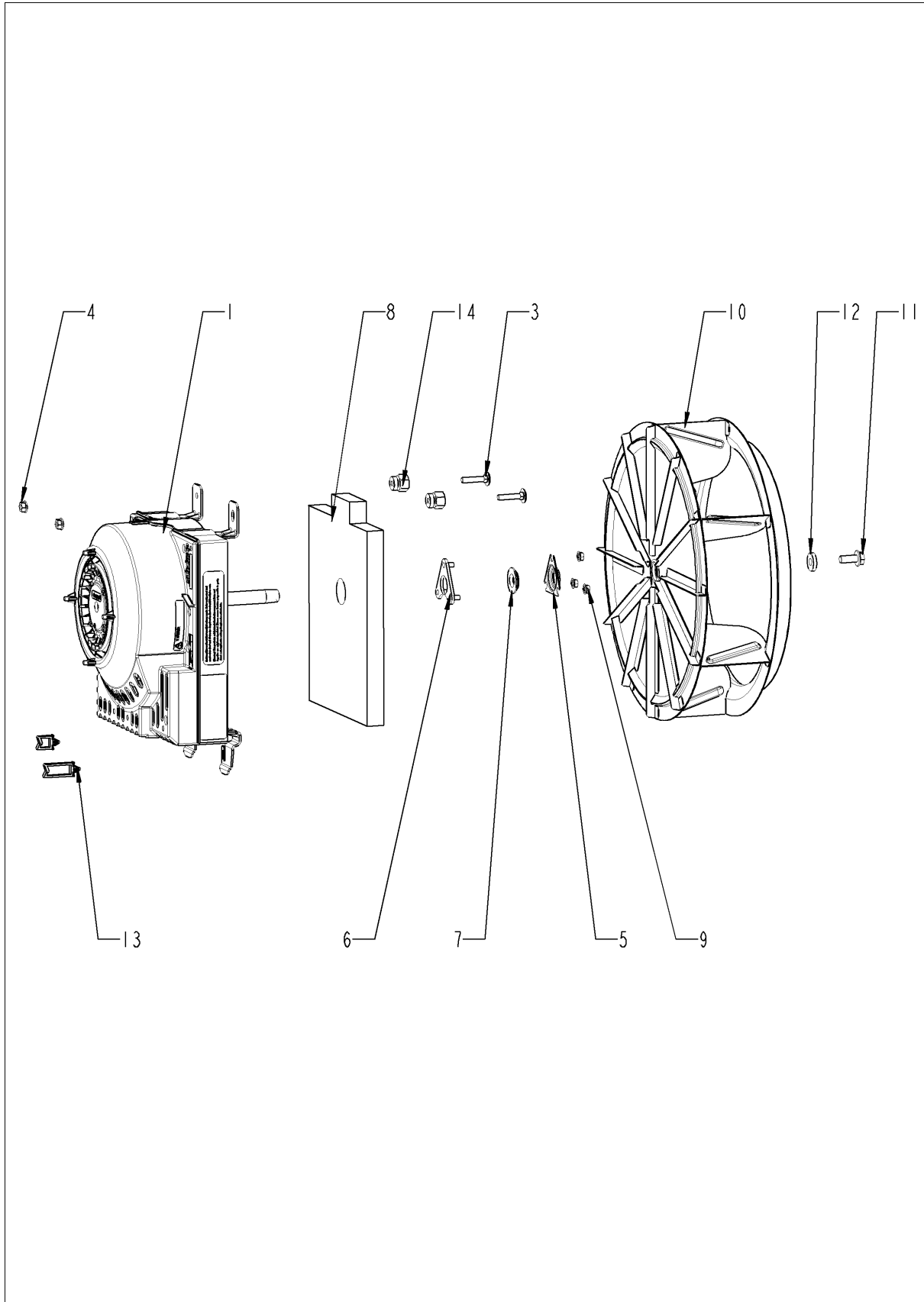
Burner hot air



Burner hot air

Pos.	Part No.	Description	Qty.
1	74.00.034	Ignitionelectrode, hot air	1
2	74.00.873	Earth electrode, hot air	1
3	74.00.290	Gasket electrode hot air	1
4	10.00.696	Allen screw M4x6 w. Precoat 85	4

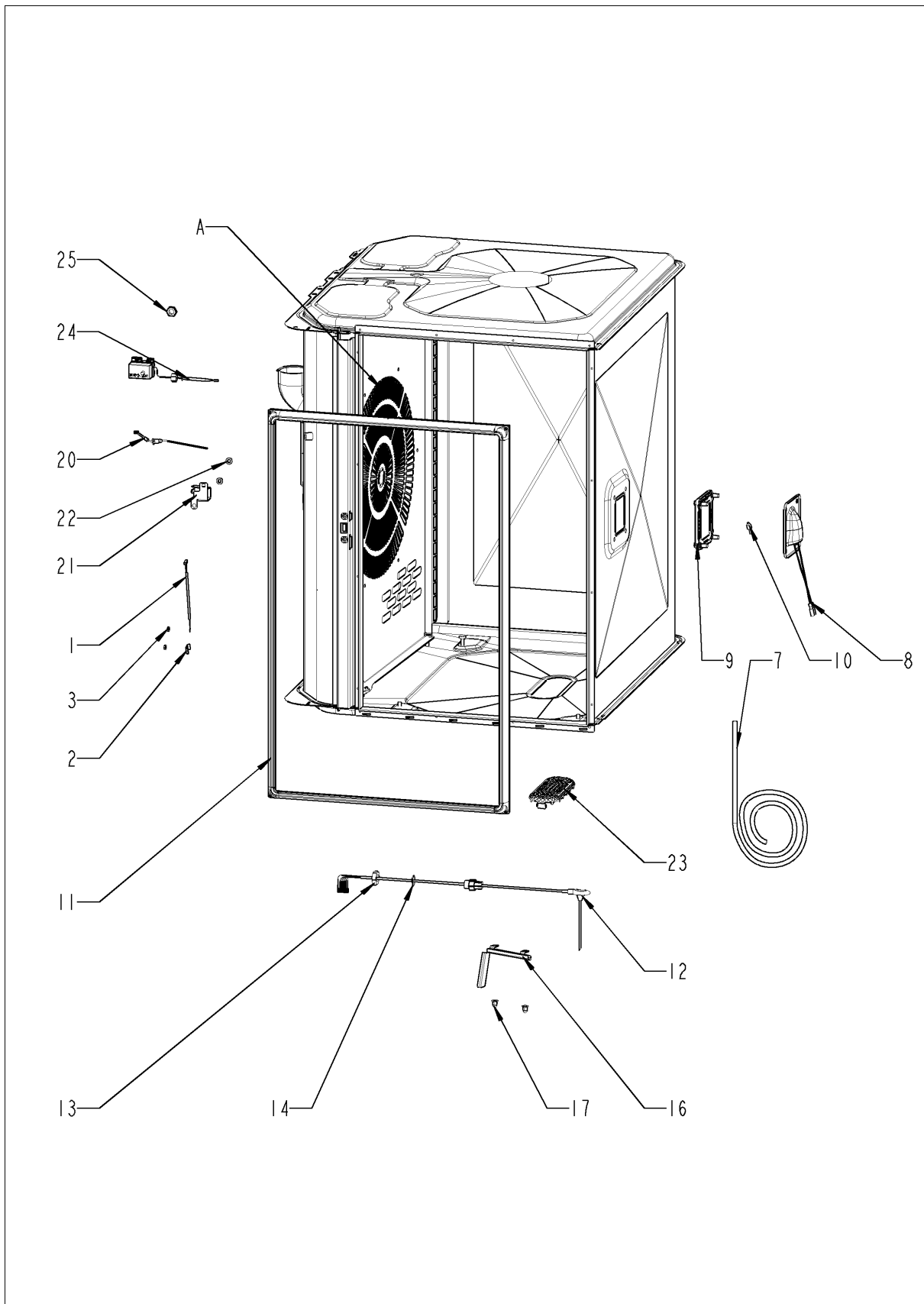
Motor and fan wheel



Motor and fan wheel

Pos.	Part No.	Description	Qty.
1	40.03.378	Fan motor	1
3	10.01.049	Square necked mushroom head bolt 6x30	4
4	10.00.709	Hex nut M6 w. locking	2
5	22.00.721	Flange f. motor shaft gasket	1
6	22.00.722	Mounting support f. gasket flange	1
7	22.00.083	Motor shaft gasket	1
8	20.01.755	Isolation for mounting plate for motor	1
9	10.01.065	Hex nut M5	3
10	22.00.828	Fan wheel	1
11	10.00.565	Hex screw M8x20	1
12	1308.0162	Washer A8,4	1
13	10.00.112	Cable clip short	1
14	20.01.411	Bushing for motor mounting bar	4

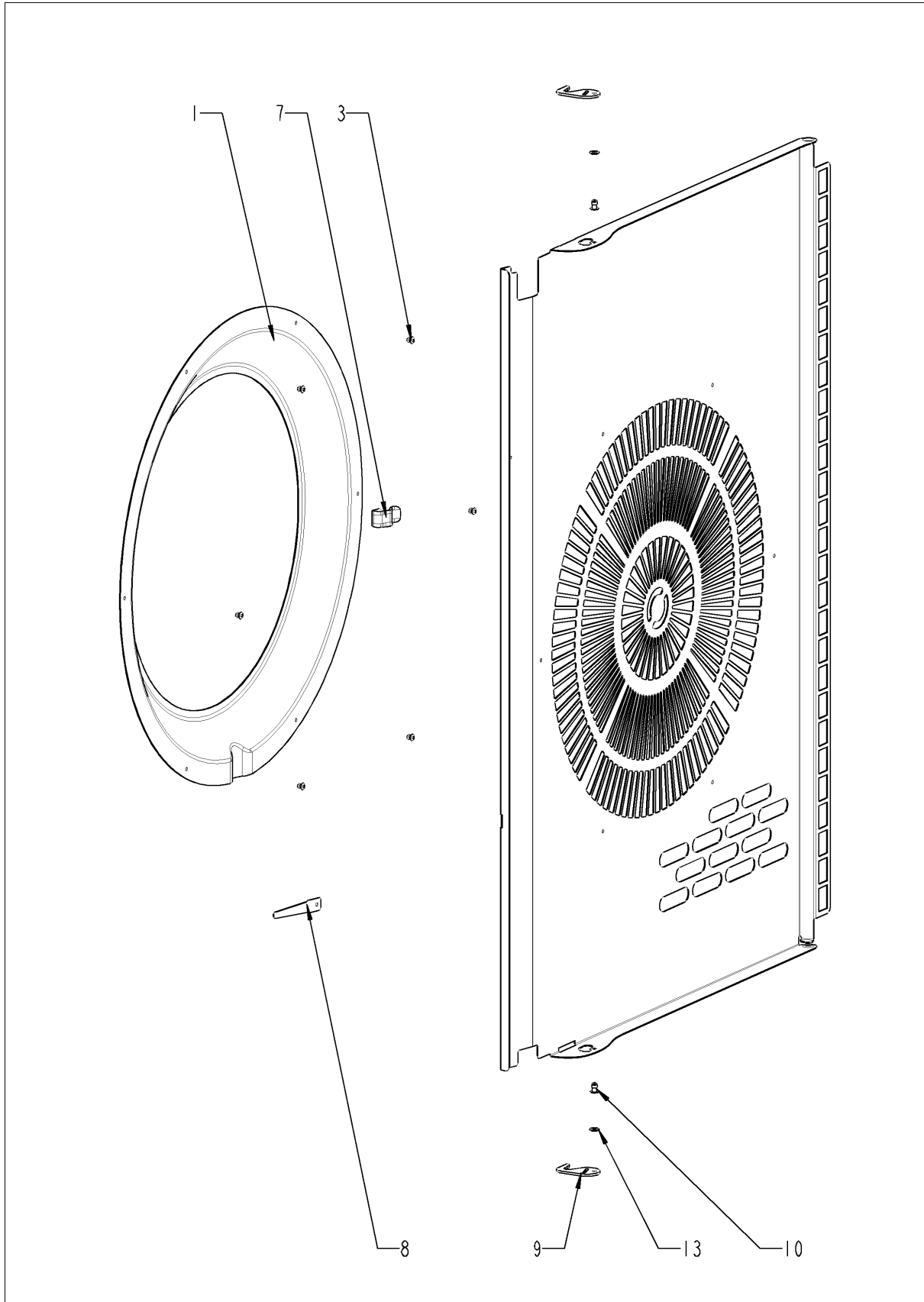
Interior cabinet



Interior cabinet

Pos.	Part No.	Description	Qty.
1	40.00.290	Thermocouple humidity	1
2	10.00.087	Clamp strap f. sensor	1
3	10.00.100	Hex nut M4, self-locking	1
7	40.03.531	Wiring interior light	1
8	40.00.098	Reflector f. interior light	1
9	40.00.091	Gasket frame w. glass a. gaskets	1
10	3024.0201	Halogen bulb 300°C	1
11	20.01.802	Door gasket	1
12	40.04.039	Meat probe sensor	1
13	10.00.612	Hex nut M16 flat	1
14	1315.0104	Copper washer 16x20x1,5	1
16	40.01.317	Screen core temperature sensor	1
17	10.01.076	Cap nut M5*A2	2
20	40.04.085	Thermocouple interior cabinet B1	1
21	40.03.782	Screen interior cabinet sensor	1
22	10.01.076	Cap nut M5*A2	2
23	54.01.117	Outlet sieve	1
24	40.01.482	Safety temperature limiter 365°C	1
25	3014.0327	Hex nut M10x1,0	1
A	22.00.945	Air baffle	1

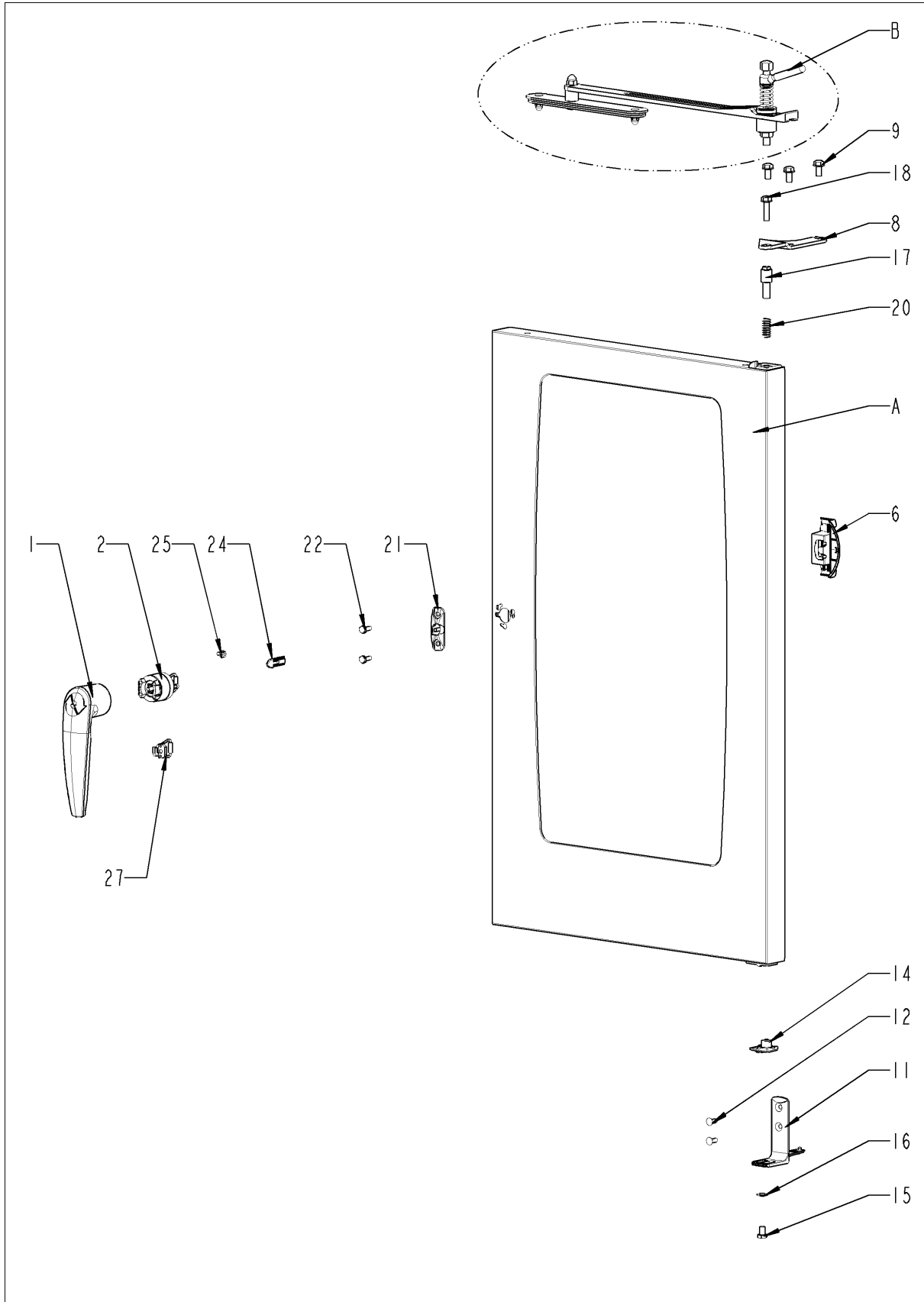
Air baffle



Air baffle

Pos.	Part No.	Description	Qty.
1	22.00.835	Air sucking ring f. air baffle	1
3	10.00.515	Rivet 3,2x5 A4	6
7	40.03.780	Fixing clip core temp. cable	1
8	22.00.491	Surge guard for Meat probe sensor	1
9	2760.1370	Latch hook for air baffle	2
10	1604.0167	Rivet 4x10	3
13	10.00.744	Washer A4,3 *A4	1

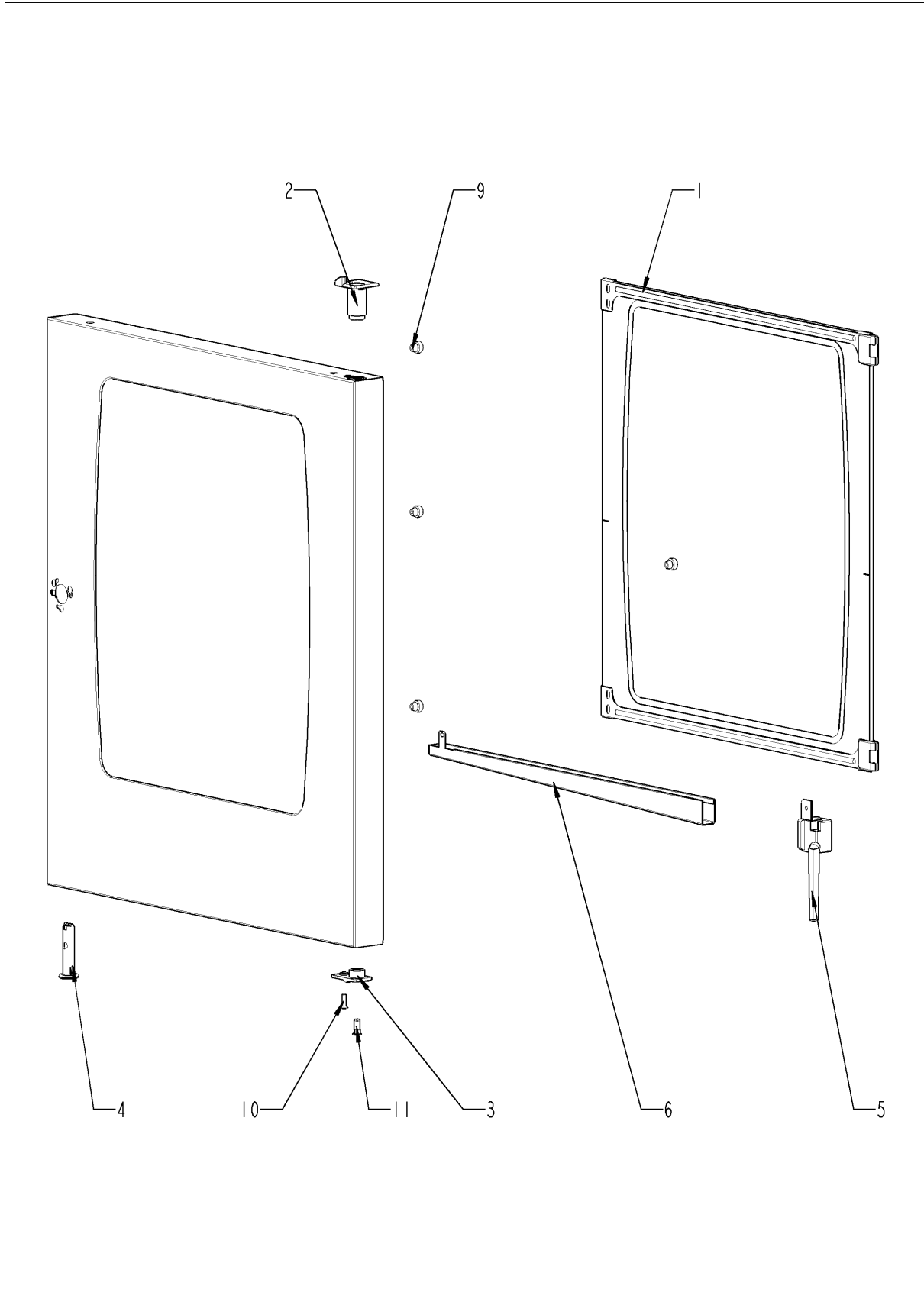
Door



Door

Pos.	Part No.	Description	Qty.
1	24.00.152	Door handle	1
2	24.00.176	Door lock	1
6	24.00.504	Lock cover	1
8	24.00.133	Door mounting support top	1
9	1008.0768	Ornamental screw M8x16	3
11	24.00.223	Door mounting support bottom	1
12	1006.1962	Countersunk screw Torx M6x16	2
14	24.00.137	Door bolt	1
15	10.00.099	Hex screw M8x12	1
16	1308.0160	Washer A8,4	1
17	24.00.048	Door bolt	1
18	1008.0769	Ornamental screw M8x30	1
20	2001.0109	Compression spring	1
21	24.00.141	Holding bracket f. door catch	1
22	1006.0760	Hex screw M6x16	2
24	24.00.142	Door catch	1
25	1005.2000	Interlocking tooth screw M5x8	1
27	24.01.100	Spring clip f. door lock	1
A	24.00.093	Door	1

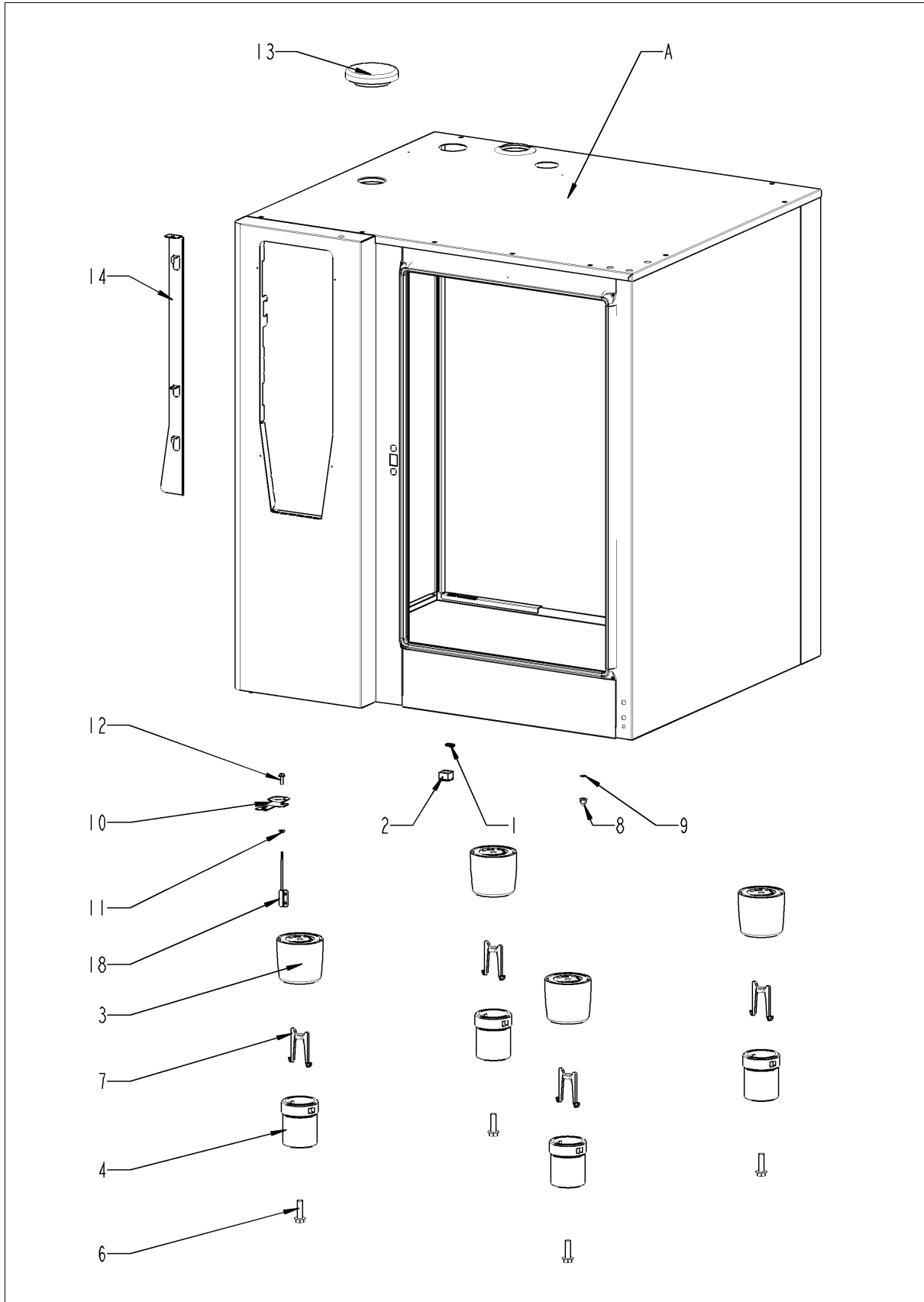
Door



Door

Pos.	Part No.	Description	Qty.
1	24.00.164	Inner glass pane	1
2	24.00.147	Sleeve for door bolt top	1
3	24.00.146	Door setting bolt	1
4	24.00.502	Fixing device f. magnet with magnet	1
5	24.01.188	Drain door drip collector	1
6	24.01.800	Door drip collector	1
9	24.00.171	Silicone buffer 7mm for door	1
10	1005.1966	Countersunk screw Torx M5x16	2
11	10.00.041	Rivet nut M5 hexagon closed	2

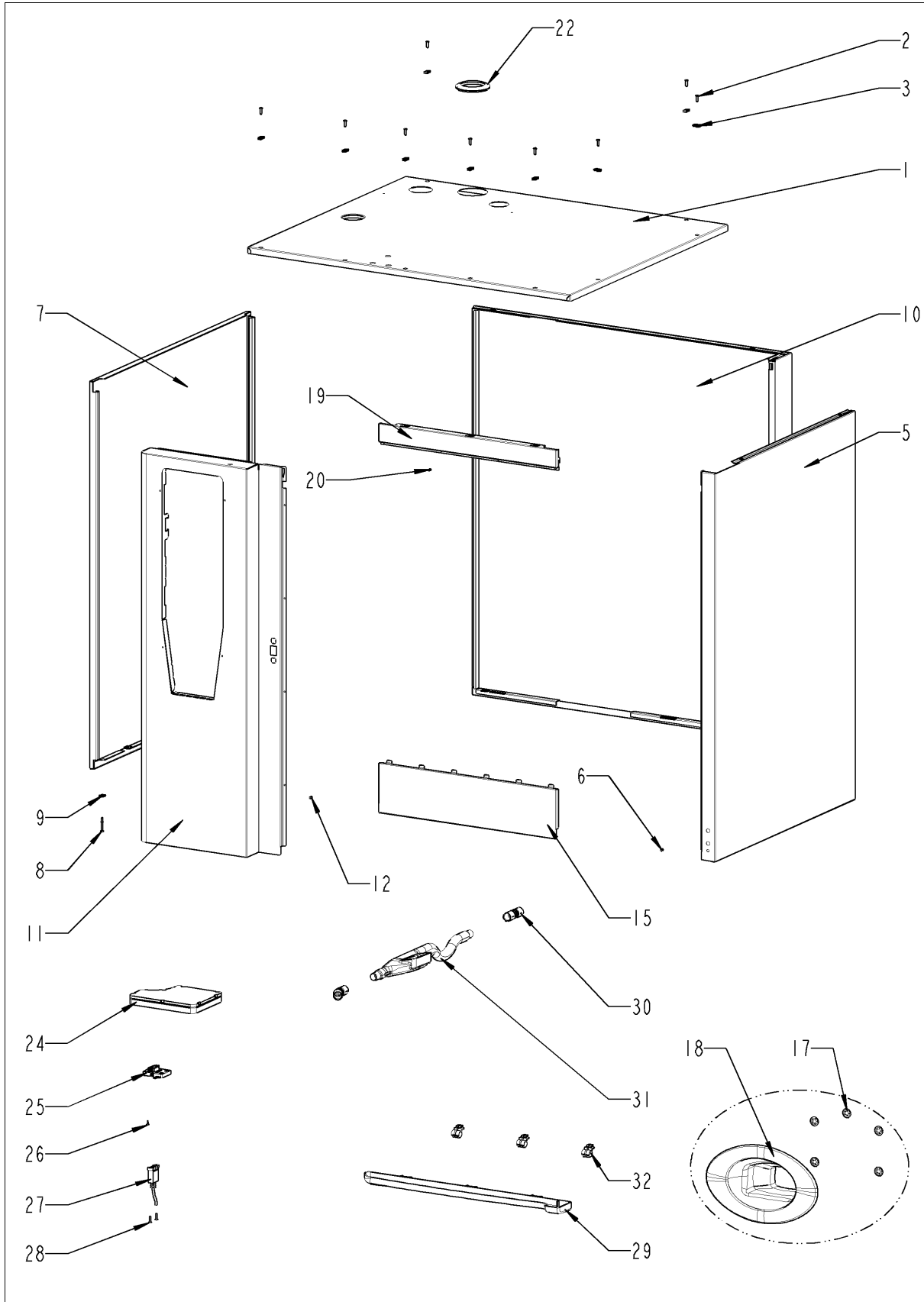
Exterior cabinet



Exterior cabinet

Pos.	Part No.	Description	Qty.
1	1104.0820	Snap nut 4,2mm	2
3	12.00.205	Upper part of pedestal	4
4	12.01.133	Lower part of pedestal	4
6	10.00.975	Hex screw M10x35	4
7	12.00.516	Turning lock f. lower part of pedestal	4
8	10.00.745	Cap nut M6*A2	1
9	1206.0120	Tooth lock washer A6,4	1
10	16.01.146	Bracket for door contact switch	1
11	1105.0123	Hex combination nut M4	1
13	22.00.767	Vent cover	1
14	16.01.965	Opening mechanism for panel insert	1
18	40.00.335	Door switch	1
A		Exterior cabinet	1

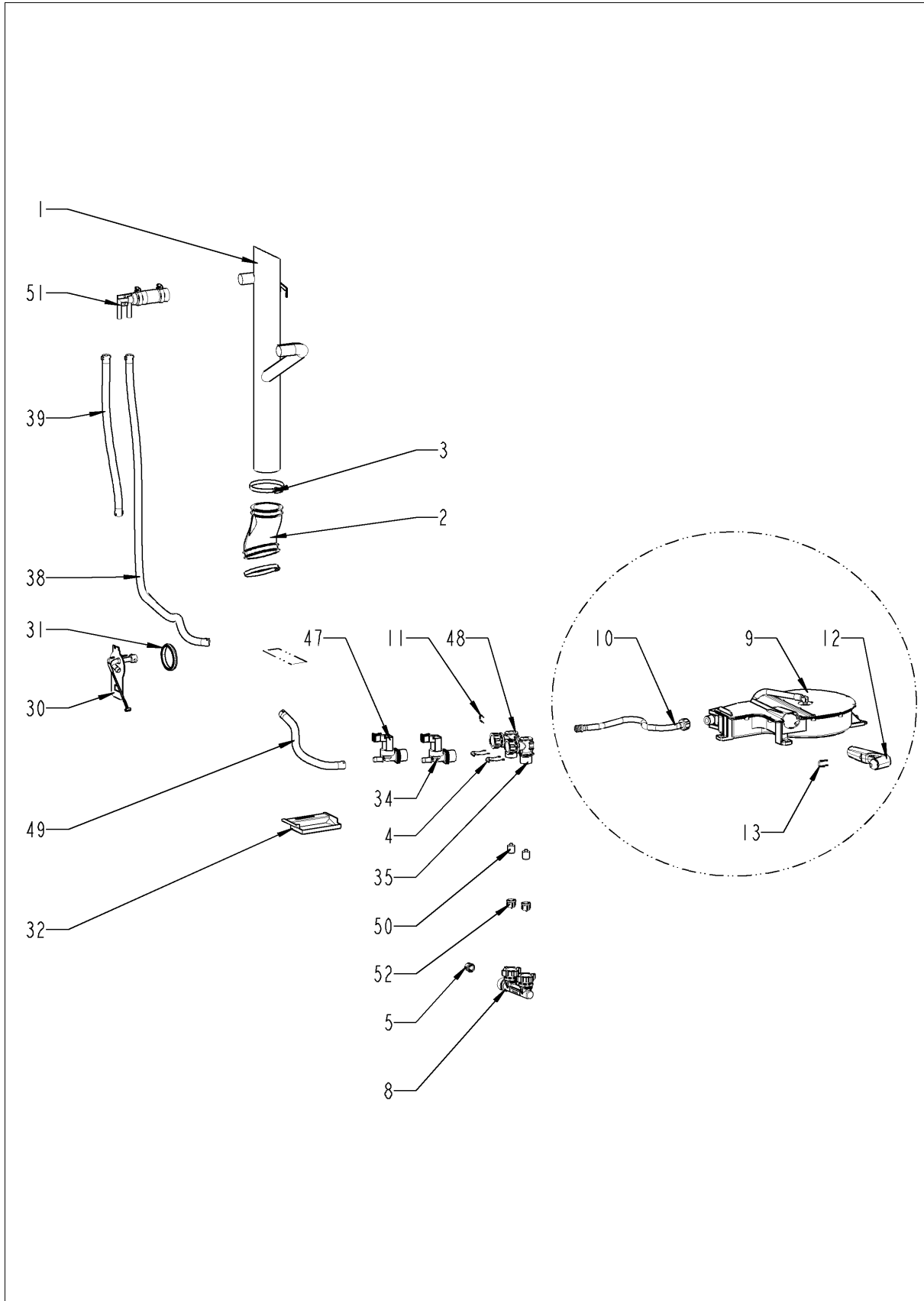
Exterior cabinet



Exterior cabinet

Pos.	Part No.	Description	Qty.
1	16.02.160	Top cover	1
2	1003.2265	Countersunk self tapping screw 4,2x16	9
3	1104.0820	Snap nut 4,2mm	9
4	1004.2160	Hex self tapping screw 4,2x16	2
5	16.00.127	Side panel right	1
6	1603.0166	Rivet 3,2x7,9 CNS closed	4
7	16.00.128	Side panel left	1
8	10.00.992	Hex self tapping screw B4,2x32	2
9	1104.0820	Snap nut 4,2mm	2
10	16.01.926	Back panel	1
11	16.01.857	Front panel	1
12	1603.0166	Rivet 3,2x7,9 CNS closed	4
15	16.02.098	Crossbar below	1
16	1004.2160	Hex self tapping screw 4,2x16	2
17	1107.0100	Star lock ø4	5
18	50.00.751	Tulip for handshower with tape	1
19	16.00.180	Crossbar top	1
20	1603.0166	Rivet 3,2x7,9 CNS closed	4
22	16.01.748	Gasket f. breather tube d=63mm	1
24	40.02.684	Air inlet filter cpl.	1
25	16.00.329	Cover f. USB interface	1
26	10.00.103	EJOT PT-screw KA 3.5x10	1
27	40.04.046	Interface cable USB 1.0m	1
28	10.00.460	EJOT PT-Screw Torx 3,5x14	2
29	50.00.286	Drip collector	1
30	50.00.303	Bushing drip collector	2
31	50.01.613	Drain pipe with bushing	1
32	50.00.296	Clip f. drip collector	3

Water



Water

Pos.	Part No.	Description	Qty.
1	54.01.110	Ventilation pipe	1
2	54.01.141	Rubber form piece venting pipe	1
3	2066.0516	Hose clamp 60-80 mm	2
4	50.00.086	Locking plate f. water distribution	1
5	1900.0202	Water filter	1
6	2066.0205	Hose clamp 8-16x9 mm SW 7mm	1
8	50.00.313	T-fitting water connection	1
9	50.01.607	Hand shower roll guide *lead free*	1
10	50.01.213	Connect. pipe f. hand shower roll guide	1
11	50.00.085	Plug-in spring f. hand shower roll guide	1
12	50.00.130	Hand shower	1
13	50.00.156	Clamp f. hand shower roll guide	1
15	1105.0121	Hex combination nut M5 galv	1
30	54.01.148	Inspection lid, quenching nozzle, B2	1
31	54.01.168	Gasket f. inspection lid quenching	1
32	54.01.191	Collecting pan	1
33	10.00.745	Cap nut M6*A2	1
34	50.01.147	Single solenoid valve	1
35	50.00.071	Water distribution hor. w/o roll guide con.	1
38	2067.0050	Pressure hose d10mm	1.2
39	2067.0050	Pressure hose d10mm	.65
47	50.01.146	Single solenoid valve	1
48	50.00.070	Water distribution hor roll guide con.	1
49	2067.0050	Pressure hose d10mm	.31
50	50.00.078	Non return valve DW16/DN12	2
51	8354.1304	Venting valve for steam generator	1
52	1900.0202	Water filter	2
55	2022.0101	Grommet d8mm	1



Combi Master 101 - 10 x 1/1 GastronormG
G11MH1111

CleanJet + Care

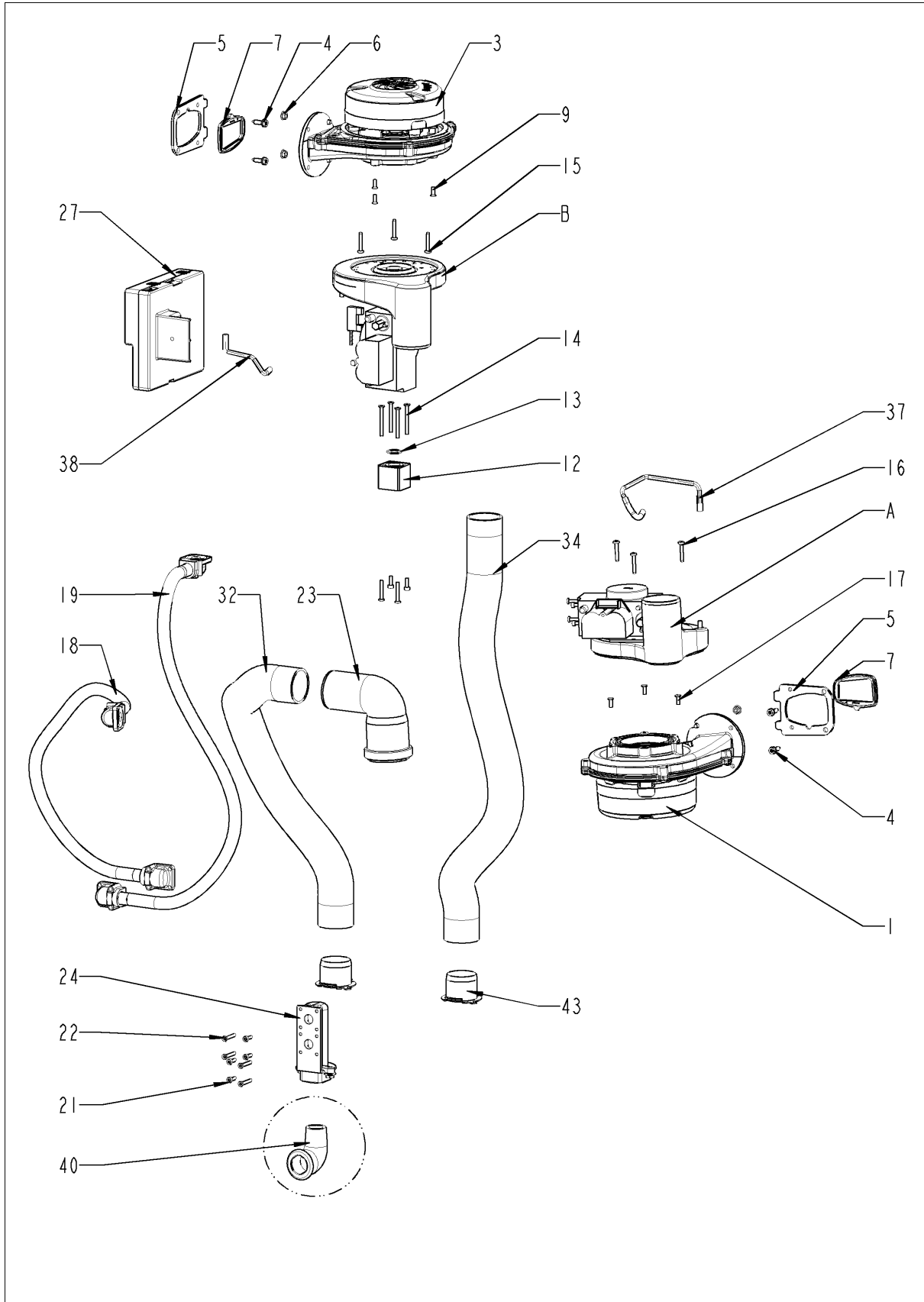
Combi Master 101 - 10 x 1/1 GastronormG
G11MH1111



CleanJet + Care

Pos.	Part No.	Description	Qty.
------	----------	-------------	------

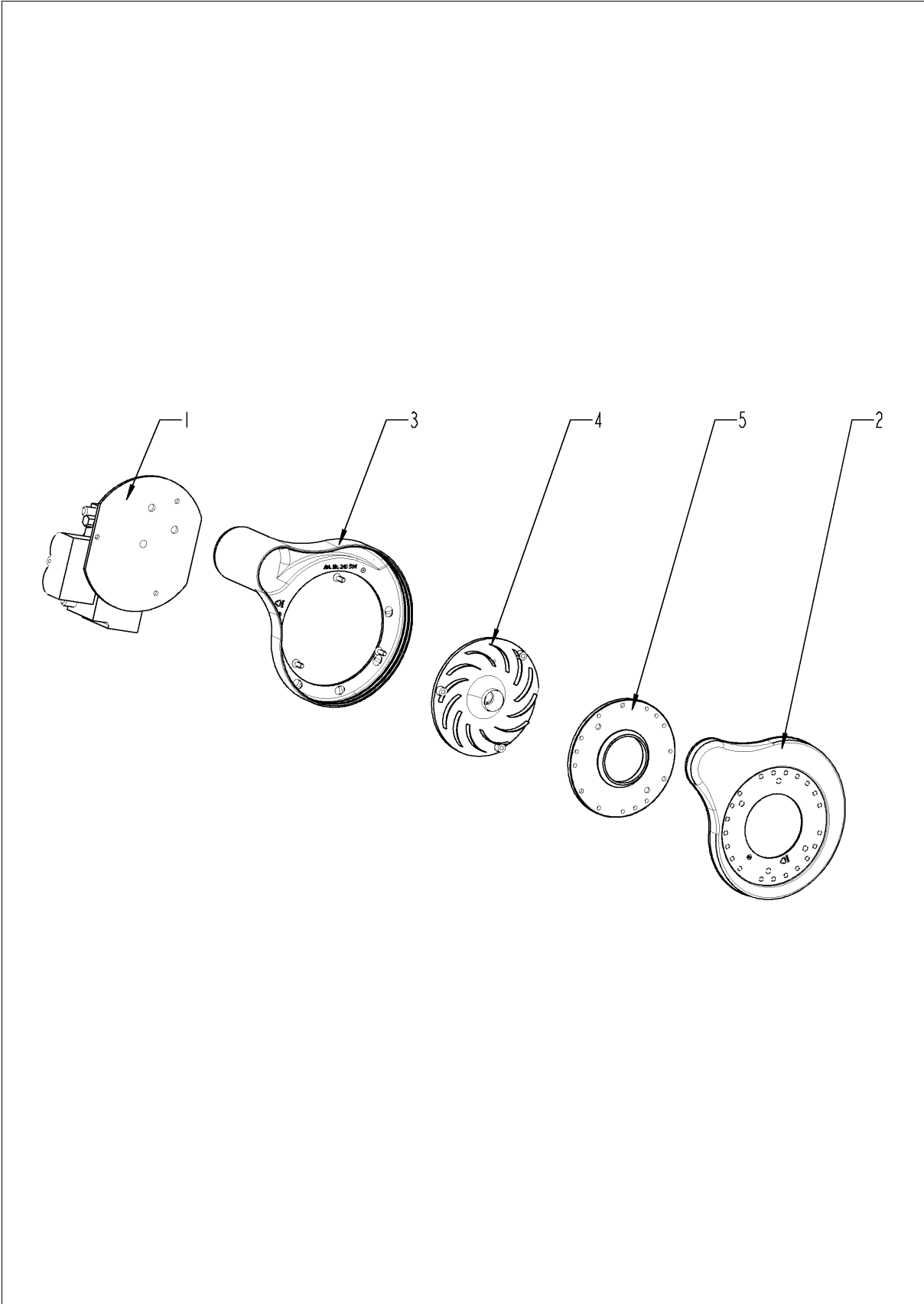
Gas parts



Gas parts

Pos.	Part No.	Description	Qty.
1	70.00.566	Blower for burner NRG118	1
3	70.00.566	Blower for burner NRG118	1
4	10.00.990	Hex screw M5x16 Torx T20	4
5	70.00.495	Flange f. burner blower RG118	2
6	10.01.065	Hex nut M5	4
7	70.00.497	Gasket f. blower burner	2
9	10.00.065	Countersunk screw Torx T20 M4x12	3
12	70.00.637	Spacer sleeve f. gas burner blower	1
13	70.00.262	O-ring 21.89x2.62	2
14	10.00.068	Countersunk screw Torx T20 M4x40	4
15	10.00.063	Pan head screw Torx T20 M4x25	3
16	10.00.063	Pan head screw Torx T20 M4x25	3
17	10.00.065	Countersunk screw Torx T20 M4x12	3
18	70.00.090	Corrugated hose 600mm	1
19	70.00.090	Corrugated hose 600mm	1
21	10.00.061	Pan head screw Torx T20 M4x12	8
22	10.00.063	Pan head screw Torx T20 M4x25	8
23	70.00.301	Combustion air angle pipe hot air	1
24	74.00.308	Gas connection manifold 2x3/4"	1
25	1006.0762	Hex screw M6x10	2
26	1306.0222	Washer A6,4x15x1,5	2
27	74.00.883	Automatic ignition controller	1
29	10.00.062	Pan head screw Torx T20 M4x20	1
32	70.00.454	Air hose D40x600mm	1
34	70.00.093	Air hose D40x650mm	1
37	70.00.624	Silicone hose ø8x1,6x141mm	1
38	70.00.623	Silicone hose ø8x1,6x115mm	1
40	70.00.188	Hose fitting 3/4"-3/4"	1
43	70.00.221	Air hose fixing device 40mm	2
A		Gas valve RH	1
B		Gas valve SEP	1

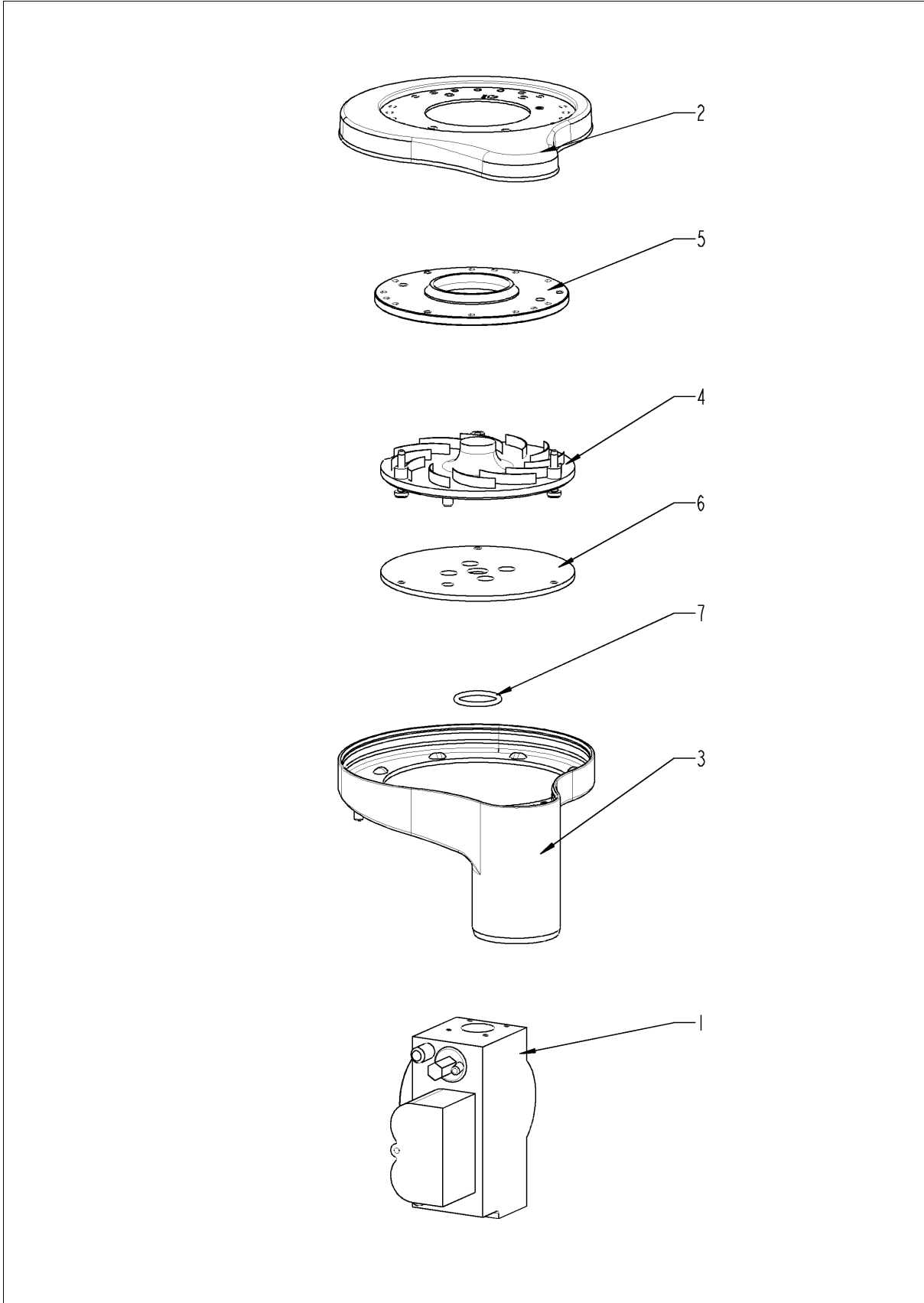
Gas valve



Gas valve

Pos.	Part No.	Description	Qty.
1	70.00.577	Gas valve RH	1
2	70.00.255	Premix chamber cover gas f. RG130	1
3	70.00.030	Premix chamber gas f. RG130	1
4	70.00.580	Premix disc gas	1
5	70.00.256	Disc premix chamber-blower RG130	1

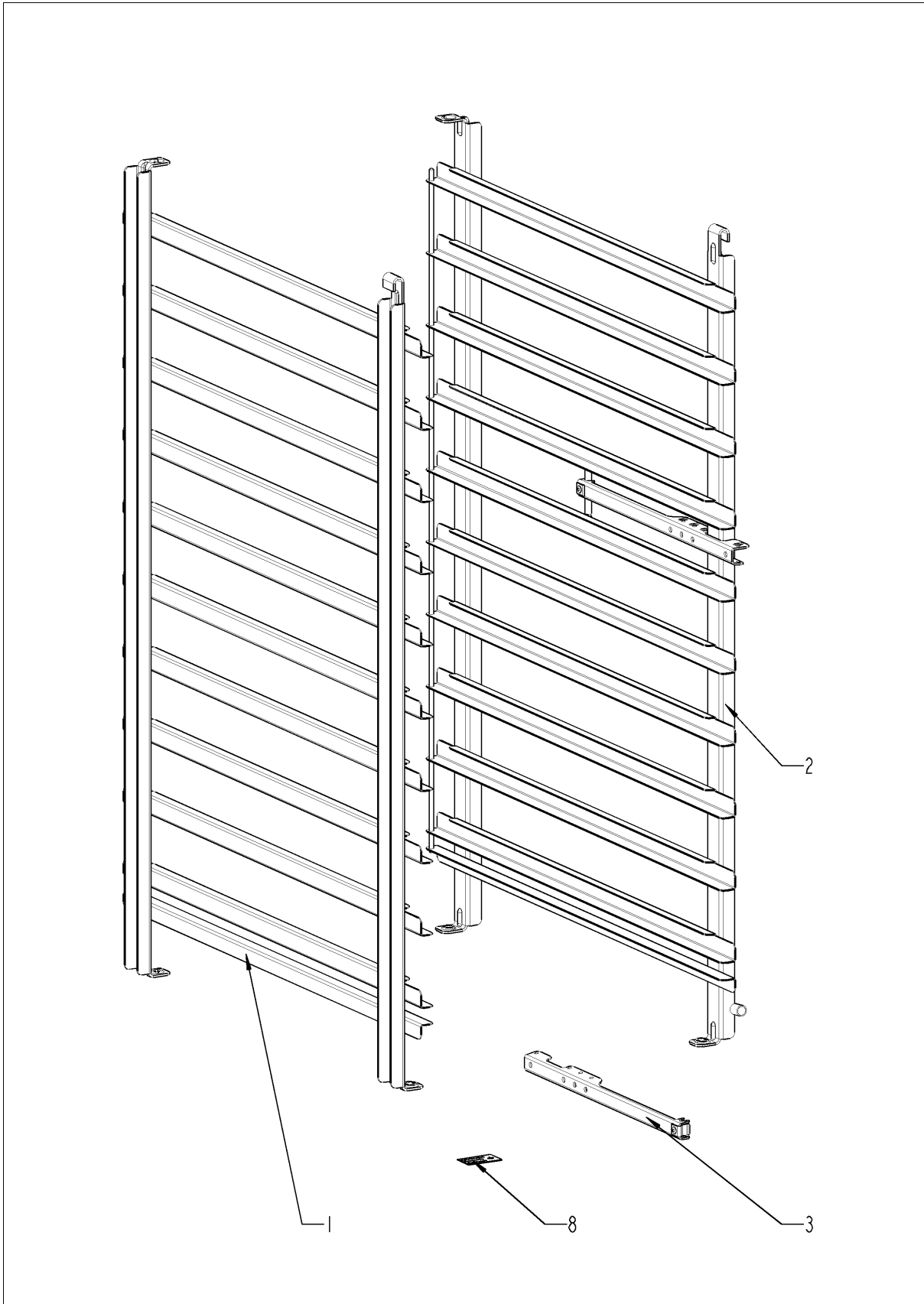
Gas valve



Gas valve

Pos.	Part No.	Description	Qty.
1	70.00.576	Gas valve SEP	1
2	70.00.255	Premix chamber cover gas f. RG130	1
3	70.00.030	Premix chamber gas f. RG130	1
4	70.00.580	Premix disc gas	1
5	70.00.256	Disc premix chamber-blower RG130	1
6	70.00.108	Disc gas valve-premix chamber	1
7	70.00.261	O-ring 17x1.5	1

Standard accessory



Combi Master 101 - 10 x 1/1 GastronormG
G11MH1111



Standard accessory

Pos.	Part No.	Description	Qty.
8	10.01.192	Sticker set	1
10	60.71.381	Water connection kit, table unit G/USA	1

Index

Part-no.	Description	Page
22.00.945	Air baffle	23
70.00.454	Air hose D40x600mm	39
70.00.093	Air hose D40x650mm	39
70.00.221	Air hose fixing device 40mm	39
40.02.684	Air inlet filter cpl.	33
22.00.915	Air inlet pipe	11
22.00.835	Air sucking ring f. air baffle	25
10.00.696	Allen screw M4x6 w. Precoat 85	19
74.00.883	Automatic ignition controller	39
16.01.926	Back panel	33
70.00.566	Blower for burner NRG118	39
16.01.146	Bracket for door contact switch	31
74.00.631	Burner hot air	17
70.00.477	Burner pipe	13
72.00.076	Burner steam gen.	13
40.03.995	Bus cable 0.85m	7
50.00.303	Bushing drip collector	33
20.01.411	Bushing for motor mounting bar	21
40.04.048	Buzzer	7
10.00.111	Cable clip long	11
10.00.112	Cable clip short	21
40.00.320	Cable connection M20x1.5	7
40.03.817	Cable control harness	9
40.04.181	Cable harness isolating transformer	9
10.01.076	Cap nut M5*A2	23
10.00.745	Cap nut M6*A2	31, 35
50.00.156	Clamp f. hand shower roll guide	35
10.00.087	Clamp strap f. sensor	23
50.00.296	Clip f. drip collector	33
44.01.031	Closing cap for steam generator	13
54.01.191	Collecting pan	35
70.00.301	Combustion air angle pipe hot air	39

Index

Part-no.	Description	Page
2001.0109	Compression spring	27
50.01.213	Connect. pipe f. hand shower roll guide	35
40.03.761	Contactora 3TG1010-3AK2	9
40.03.322	Contactora assembly	9
87.01.006	Control panel insert with overlay *RAT*	5
42.00.161	Control pcb	5
40.03.348	Control transformer T1	9
40.03.257	Converter 230VAC 24VDC	7
40.03.428	Cooling fan	7
1315.0104	Copper washer 16x20x1,5	23
70.00.090	Corrugated hose 600mm	39
1005.1966	Countersunk screw Torx M5x16	29
1006.1962	Countersunk screw Torx M6x16	27
10.00.065	Countersunk screw Torx T20 M4x12	39
10.00.068	Countersunk screw Torx T20 M4x40	39
1003.2265	Countersunk self tapping screw 4,2x16	33
16.00.329	Cover f. USB interface	33
16.02.098	Crossbar below	33
16.00.180	Crossbar top	33
16.00.282	Dial	5
70.00.108	Disc gas valve-premix chamber	43
70.00.256	Disc premix chamber-blower RG130	41, 43
5110.1027	Distance plate for front panel	5
24.00.093	Door	27
24.00.137	Door bolt	27
24.00.048	Door bolt	27
24.00.142	Door catch	27
24.01.800	Door drip collector	29
20.01.802	Door gasket	23
24.00.152	Door handle	27
24.00.176	Door lock	27
24.00.223	Door mounting support bottom	27

Index

Part-no.	Description	Page
24.00.133	Door mounting support top	27
24.00.146	Door setting bolt	29
40.00.335	Door switch	31
24.01.188	Drain door drip collector	29
22.00.959	Drain hose for humidity control	11
44.01.213	Drain hose steam generator	13
50.01.613	Drain pipe with bushing	33
50.00.286	Drip collector	33
40.02.515	Dry up protector 315°F/157°C	9
74.00.873	Earth electrode, hot air	19
10.00.103	EJOT PT-screw KA 3.5x10	33
10.00.460	EJOT PT-Screw Torx 3,5x14	33
40.01.483	Electronic noise filter	9
44.00.207	Emptying pump	13
40.03.660	Fan housing	7
40.03.378	Fan motor	21
22.00.828	Fan wheel	21
44.00.287	Filling level electrode 135mm	13
44.01.168	Fixing angle steam generator	13
44.01.181	Fixing angle steam generator	13
40.03.780	Fixing clip core temp. cable	25
40.01.579	Fixing clip f. pcb	9
24.00.502	Fixing device f. magnet with magnet	29
44.01.280	Fixing device f. pump steam generator	13
44.00.517	Fixing plate steam generator thermostat	13
70.00.495	Flange f. burner blower RG118	39
22.00.721	Flange f. motor shaft gasket	21
16.01.857	Front panel	33
40.01.487	Fuse holder 2pol	9
40.02.512	Fuse holder 2x6.3A	9
40.01.873	Fuse SC-15A 10x38	9
74.00.308	Gas connection manifold 2x3/4"	39

Index

Part-no.	Description	Page
70.00.577	Gas valve RH	41
70.00.576	Gas valve SEP	43
74.00.290	Gasket electrode hot air	19
70.00.497	Gasket f. blower burner	39
16.01.748	Gasket f. breather tube d=63mm	33
72.00.067	Gasket f. burner carrier	13
74.00.296	Gasket f. heat exchanger below	17
22.00.881	Gasket f. hum. meas. Pipe	11
44.00.250	Gasket f. ignition electrode	13
54.01.168	Gasket f. inspection lid quenching	35
40.00.091	Gasket frame w. glass a. gaskets	23
74.00.814	Gasket hot air heat exchanger/interior cabinet	17
5110.1029	Gasket mode switch	5
2022.0101	Grommet d8mm	35
3024.0201	Halogen bulb 300°C	23
50.00.130	Hand shower	35
50.01.607	Hand shower roll guide *lead free*	35
1105.0123	Hex combination nut M4	31
1104.0122	Hex combination nut M4 galv	11, 13
1105.0121	Hex combination nut M5 galv	13, 35
1104.0120	Hex nut M4	13
10.00.100	Hex nut M4, self-locking	23
10.01.065	Hex nut M5	9, 17, 21, 39
1105.0120	Hex nut M5	13
10.00.709	Hex nut M6 w. locking	13, 21
3014.0302	Hex nut M10 for dry-up protector	9
3014.0327	Hex nut M10x1,0	9, 23
10.00.612	Hex nut M16 flat	23
10.00.990	Hex screw M5x16 Torx T20	39
1006.0762	Hex screw M6x10	13, 39
1006.0760	Hex screw M6x16	27
10.00.099	Hex screw M8x12	27

Index

Part-no.	Description	Page
10.00.565	Hex screw M8x20	21
1008.0766	Hex screw M8x30	7
10.00.975	Hex screw M10x35	31
1004.2160	Hex self tapping screw 4,2x16	33
10.00.992	Hex self tapping screw B4,2x32	33
24.00.141	Holding bracket f. door catch	27
2066.0205	Hose clamp 8-16x9 mm SW 7mm	35
2066.0518	Hose clamp 30mm	13
2066.0519	Hose clamp 35,6mm	13
2066.0504	Hose clamp 40-60mm	13
2066.0516	Hose clamp 60-80 mm	35
10.00.982	Hose clamp D=18.2	13
2066.0527	Hose clamp ø14mm	11, 15
2066.0530	Hose clamp ø16.4mm	15
2066.0526	Hose clamp ø46mm	13
70.00.188	Hose fitting 3/4"-3/4"	39
22.00.525	Hose set f. humidity control	11
74.00.745	Hot air heat exchanger	17
22.00.725	Humidity control cpl.	11
44.01.237	Ignition electrode steam generator	13
74.00.034	Ignitionelectrode, hot air	19
24.00.164	Inner glass pane	29
54.01.148	Inspection lid, quenching nozzle, B2	35
72.00.077	Insulation f. burner steam gen.	13
40.04.046	Interface cable USB 1.0m	33
1005.2000	Interlocking tooth screw M5x8	27
20.01.755	Isolation for mounting plate for motor	21
2062.0331	Junction pressure hose GS 10	15
2760.1370	Latch hook for air baffle	25
24.00.504	Lock cover	27
50.00.086	Locking plate f. water distribution	35
12.01.133	Lower part of pedestal	31

Index

Part-no.	Description	Page
74.00.813	Mating flange heat exchanger	17
40.04.039	Meat probe sensor	23
22.00.083	Motor shaft gasket	21
40.03.391	Mounting device converter	7
22.00.882	Mounting device f. pressure sensor	11
22.00.722	Mounting support f. gasket flange	21
40.03.404	Mounting support transformer	9
50.00.078	Non return valve DW16/DN12	35
70.00.261	O-ring 17x1.5	43
70.00.262	O-ring 21.89x2.62	39
22.00.837	O-ring for humidity control	11
16.01.965	Opening mechanism for panel insert	31
1008.0768	Ornamental screw M8x16	27
1008.0769	Ornamental screw M8x30	27
22.00.850	Outer humidity meas. Piece	11
54.01.117	Outlet sieve	23
10.00.365	Pan head screw Torx M3x20	9
10.00.061	Pan head screw Torx T20 M4x12	39
10.00.062	Pan head screw Torx T20 M4x20	39
10.00.063	Pan head screw Torx T20 M4x25	39
50.00.085	Plug-in spring f. hand shower roll guide	35
40.00.464	Potentiometer CT	5
40.01.597	Power supply cable 3xAWG14	7
40.00.279	Power transformer	7
70.00.255	Premix chamber cover gas f. RG130	41, 43
70.00.030	Premix chamber gas f. RG130	41, 43
70.00.580	Premix disc gas	41, 43
2067.0050	Pressure hose d10mm	35
3017.1011	Pressure sensor for humidity control Huba 401	11
2118.1000	Pump connection spout	15
8354.1320	Pump connection spout cpl.	13
40.00.098	Reflector f. interior light	23

Index

Part-no.	Description	Page
10.00.515	Rivet 3,2x5 A4	25
1603.0166	Rivet 3,2x7,9 CNS closed	33
1604.0167	Rivet 4x10	25
10.00.041	Rivet nut M5 hexagon closed	29
54.01.141	Rubber form piece venting pipe	35
40.01.482	Safety temperature limiter 365°C	9, 23
40.01.317	Screen core temperature sensor	23
40.03.782	Screen interior cabinet sensor	23
16.01.908	Sealing f. panel insert	5
16.00.128	Side panel left	33
16.00.127	Side panel right	33
2110.1008	Silicon hose ø10x2mm	15
24.00.171	Silicone buffer 7mm for door	29
70.00.623	Silicone hose ø8x1,6x115mm	39
70.00.624	Silicone hose ø8x1,6x141mm	39
50.01.147	Single solenoid valve	35
50.01.146	Single solenoid valve	35
24.00.147	Sleeve for door bolt top	29
1104.0820	Snap nut 4,2mm	31, 33
70.00.637	Spacer sleeve f. gas burner blower	39
24.01.100	Spring clip f. door lock	27
10.01.049	Square necked mushroom head bolt 6x30	21
1107.0100	Star lock ø4	33
44.00.942	Steam generator insulated	13
2112.1006	Steam hose 50x7mm	13
44.01.075	Steam pipe	13
10.01.192	Sticker set	45
2120.1259	Stop plug 10mm	15
22.00.491	Surge guard for Meat probe sensor	25
50.00.313	T-fitting water connection	35
40.00.290	Thermocouple humidity	23
40.04.085	Thermocouple interior cabinet B1	23

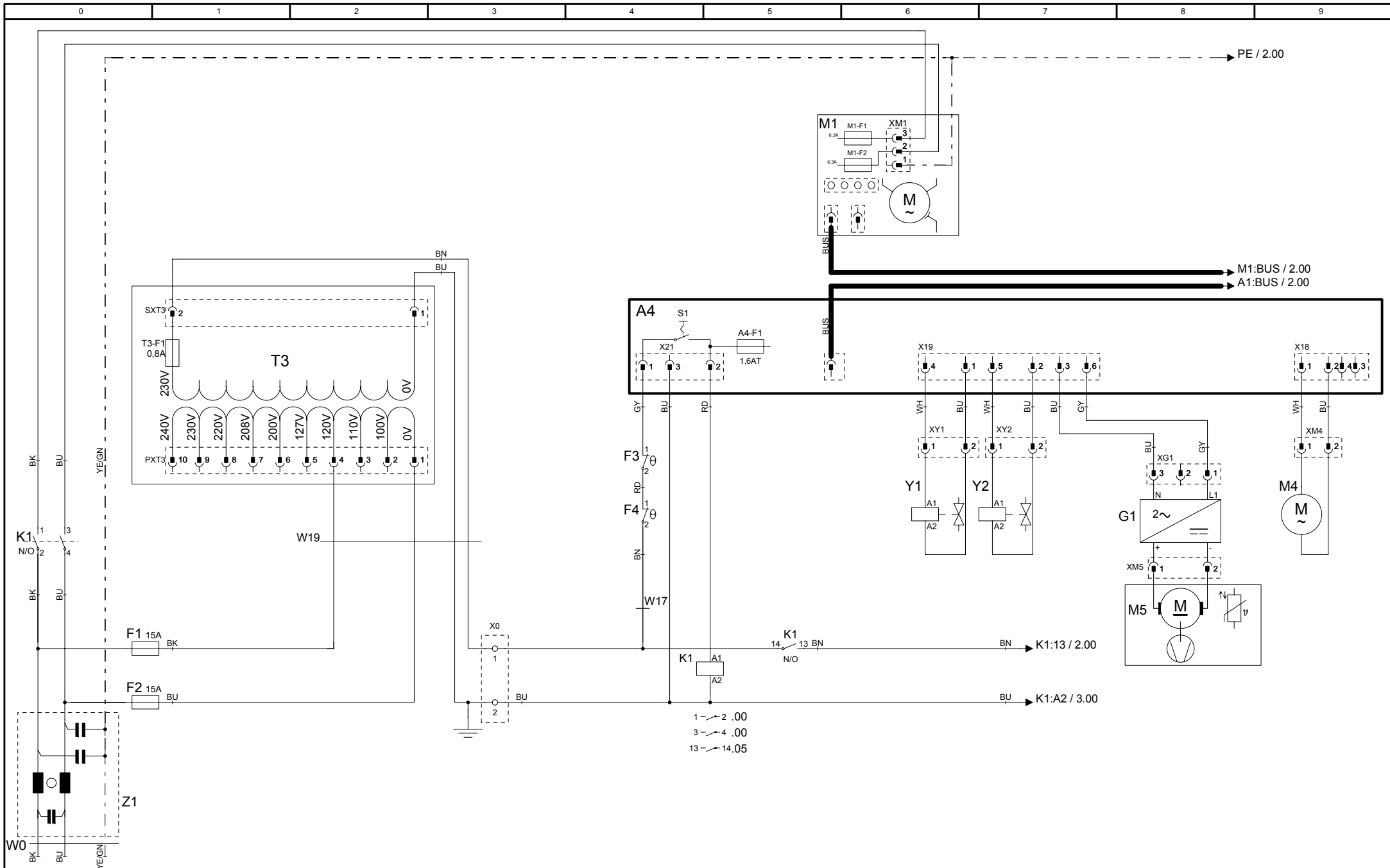
Index

Part-no.	Description	Page
40.04.109	Thermocouple steam generator *B5*	13
4005.0101	Tie rap 145 mm	15
1205.0120	Tooth lock washer A5,3	13
1206.0120	Tooth lock washer A6,4	31
16.02.160	Top cover	33
50.00.751	Tulip for handshower with tape	33
12.00.516	Turning lock f. lower part of pedestal	31
12.00.205	Upper part of pedestal	31
22.00.767	Vent cover	11, 31
54.01.110	Ventilation pipe	35
8354.1304	Venting valve for steam generator	35
10.00.744	Washer A4,3 *A4	25
1306.0222	Washer A6,4x15x1,5	13, 39
1308.0162	Washer A8,4	21
1308.0160	Washer A8,4	27
60.71.381	Water connection kit, table unit G/USA	45
50.00.070	Water distribution hor roll guide con.	35
50.00.071	Water distribution hor. w/o roll guide con.	35
1900.0202	Water filter	35
40.03.531	Wiring interior light	23

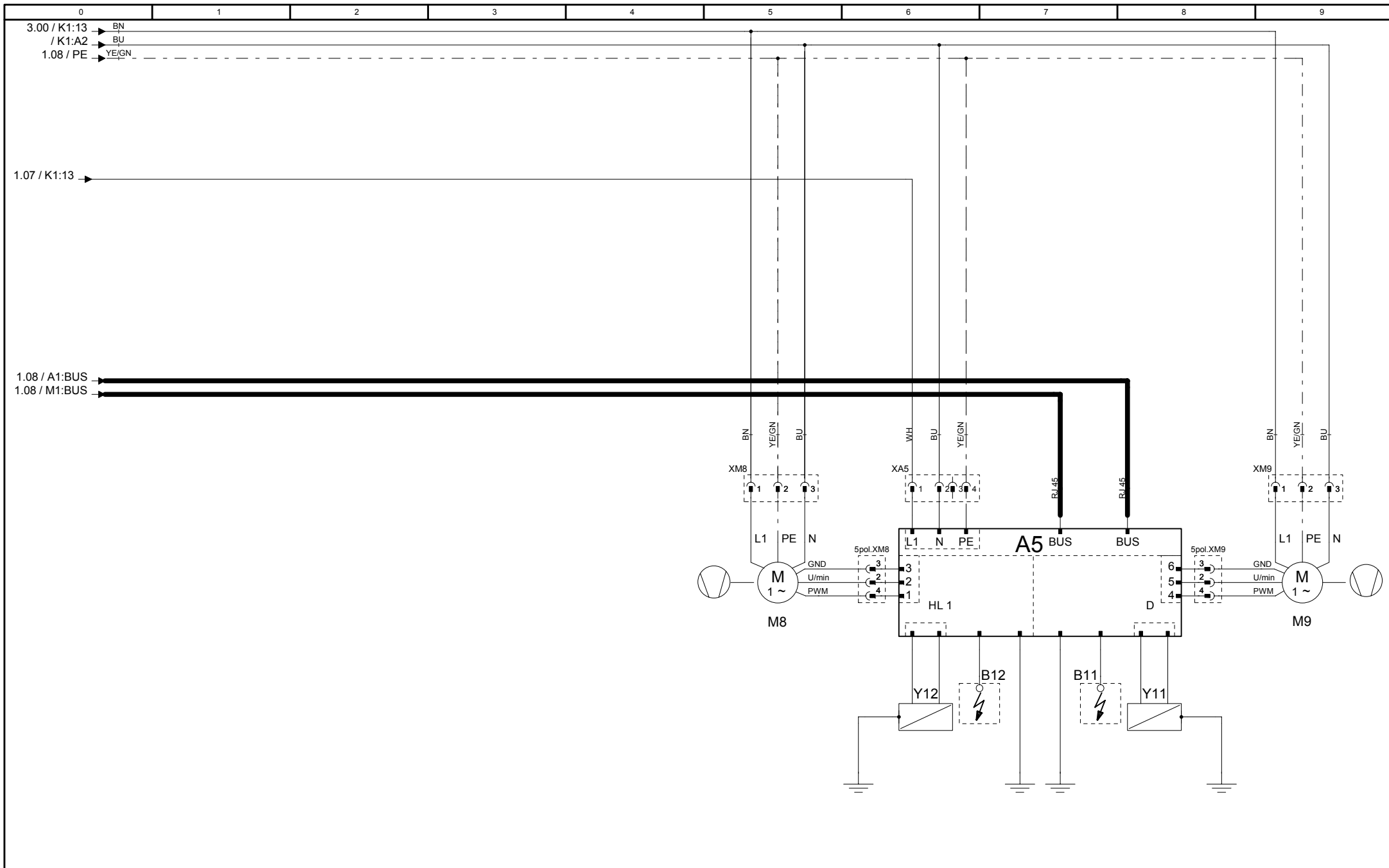
Deckblatt Elektrische Dokumentation, Cover sheet electrical Documentation

Die Elektrische Dokumentation besteht aus: 1. diesem Deckblatt, 2. dem Schaltplan und 3. der Legende der elektrischen Bauteile
The electric documentation contains: 1. this cover sheet, 2. the wiring diagram and 3. the bill of material (BOM)

Deckblatt-Nr. Front Page No.	75-21247	Version	0
Typ / Type	CMP 101G		
Schaltplan Wiring diagram	76-00558	Version	0
Spannung (SPL) Voltage	1NAC120 V 60 Hz		
Legende Legend electr. components	78-00831	Version	0
Geräteserialnr. Serial number	G11MH1102	Version	1102
Erstellt am Created at	Aug 31, 2011 10:37 AM	Ersteller Creator	SCHD
Gültig ab Valid from	Aug 30, 2011 3:38 PM	Änderung Modification	



76-00558	MODUL 1 Leistung/Power	CMP 61/101G-UL	Erstellt von SCHD Created by
Version 0		1NAC120 V 60 Hz	Datum 12.10.2011 Date
			Blatt 1 Page



76-00558

MODUL 2
Heizung/Heating

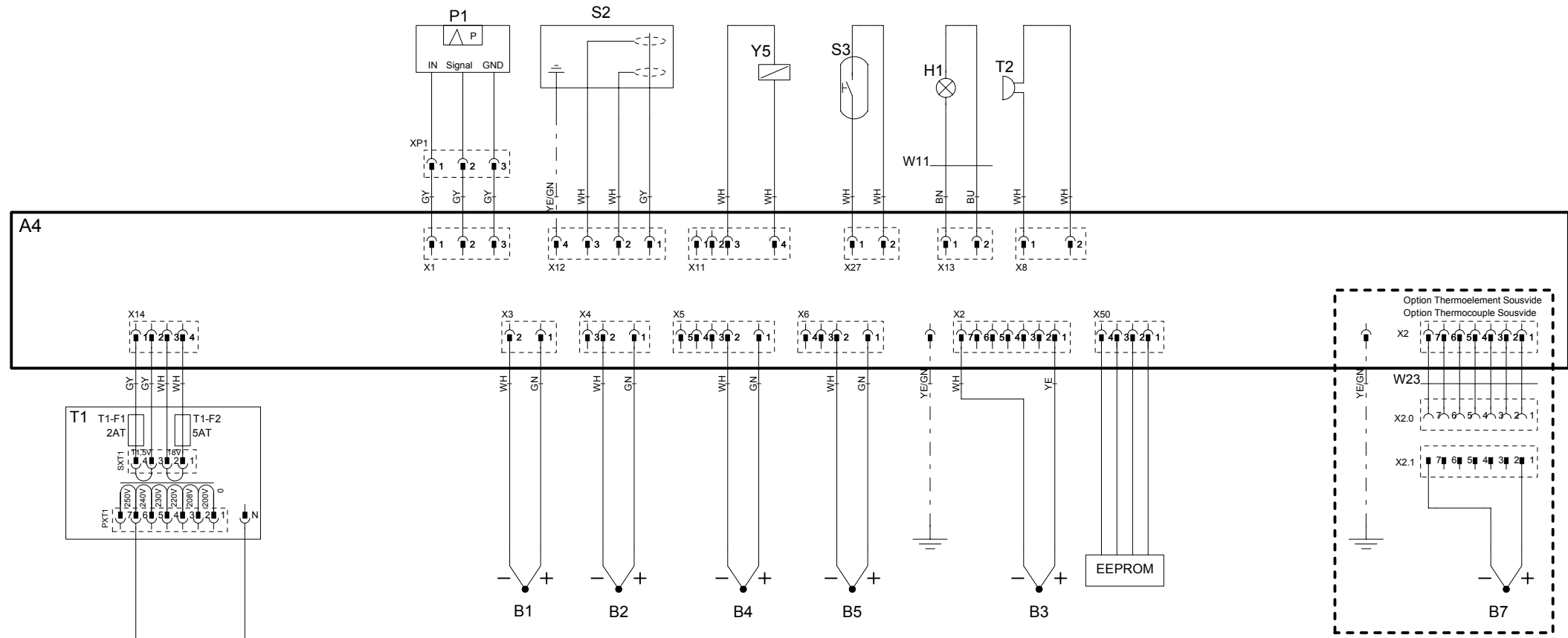
CMP 61/101G-UL

1NAC120 V 60 Hz

Erstellt von	SCHD
Created by	
Datum	12.10.2011
Date	
Blatt	2
Page	

Version

0



2.00 / K1:13 → BN
 1.07 / K1:A2 → BU

Positionsliste**Bill of material**

Name Name	Artikelnr. Item number	Artikelbezeichnung	Item description	Module Modul
-A4	42.00.161	Bedienplatine CMP	Operator PCB CMP	Modul 1
-A4-F1	3019.0125	Sicherung 1,6AT	Fuse 1,6AT	Modul 1
-A5	74.00.883	Feuerungsautomat Brenner 61-202	Ignition box	Modul 2
-B1	40.04.085	Thermoelement Garraum	Thermocouple interior cabinet	Modul 3
-B2	54.01.148	Thermoelement Ablöschung	Thermocouple quenching	Modul 3
-B3	40.04.039	Thermoelement Kerntemperatur	Thermocouple core sensor	Modul 3
-B4	40.00.290	Thermoelement Feuchte	Thermocouple humidity	Modul 3
-B5	40.04.109	Thermoelement Dampfgenerator	Thermocouple steam generator	Modul 3
-F1/F2	40.01.873	Steuersicherung	Control fuse	Modul 1
-F3	40.02.515	Sicherheitstemperaturbegrenzer Gas:157°C/314° F Elek.:183°C/360°F	Safety thermostat steam generator Gas: 157°C/ 314°F Elec.: 183°C/360°F	Modul 1
-F4	40.01.482	Sicherheitstemperaturbegrenzer 360°C/680°F	Safety thermostat interior cabinet 360°C/680°F	Modul 1
-G1	40.03.257	Gleichrichter Kühllüfter	DC converter cooling fan	Modul 1
-H1	3024.0201	Garraumbeleuchtung	Interior cabinet light	Modul 3
-K1	40.03.761	Hauptschütz	Main contactor	Modul 1
-M1	40.03.378	Lüftermotor	Fan motor	Modul 1
-M4	44.00.207	SC-Pumpe	SC-pump	Modul 1
-M5	40.03.428	Kühllüfter	Cooling fan	Modul 1
-M8	70.00.566	Gasgebläse HL	Gas blower hot air	Modul 2
-M9	70.00.566	Gasgebläse DG	Gas blower steam	Modul 2
-P1	3017.1011	Differenzdrucksensor	Differential pressure sensor	Modul 3
-S2	44.00.287	Niveauelektrode	Water level electrode	Modul 3
-S3	40.00.335	Türkkontaktschalter	Door contact switch	Modul 3

Änderungsdatum	30.08.2011	Name	CMP 101G-UL	Dokument-Nr.	78-00831
Erzeuger	SCHD	Spannung	1NAC120 V 60 Hz	Version	0

Positionsliste**Bill of material**

Name Name	Artikelnr. Item number	Artikelbezeichnung	Item description	Module Modul
-S7	40.00.464	Potentiometer Zeit / Kerntemperatur	Time / Core potentiometer	Modul 3
-T1	40.03.348	Steuertrafo	Control transformer	Modul 3
-T1-F1	3019.0120	Sicherung Steuertrafo T1 2AT	Fuse control transformer T1 2AT	Modul 3
-T1-F2	3019.0126	Sicherung Steuertrafo T1 5AT	Fuse control transformer T1 5AT	Modul 3
-T2	40.04.048	SCC WE: Lautsprecher / CMP: Alarmsummer	SCC WE: Speaker / CMP: Buzzer	Modul 3
-T3	40.00.279	Sondertrafo	Special transformer	Modul 1
-T3-F1	3019.0124	Sicherung Sondertrafo T3	Fuse special transformer	Modul 1
-W0	40.01.597	Anschlusskabel	Cable: power supply	Modul 1
-W11	40.03.531	Kabel: Garraumbeleuchtung	Cable: interior cabinet light	Modul 3
-W17	40.03.817	Kabel: Steuerstamm	Cable: control harness	Modul 1
-W19	40.04.181	Kabel: Zusatzstamm Gas	Cable: power supply gas	Modul 1
-Y1	50.01.147	Magnetventil Füllen	Solenoid valve filling	Modul 1
-Y11	70.00.576	Gasventil D	Gas valve steam	Modul 2
-Y12/Y13	70.00.577	Y12: Gasventil HL1 / Y13: Gasventil HL2 201/ 202G	Y12: Gas valve hot air / Y13: Gas valve hot air (bottom)	Modul 2
-Y2	50.01.146	Magnetventil Ablöschung	Solenoid valve quenching	Modul 1
-Y5	22.00.725	Klimaventil	Clima valve	Modul 3
-Z1	40.01.483	Entstörfilter/Varistor	Electronic noise filter	Modul 1

Änderungsdatum	30.08.2011	Name	CMP 101G-UL	Dokument-Nr.	78-00831
Erzeuger	SCHD	Spannung	1NAC120 V 60 Hz	Version	0