



Reliability is a
beautiful thing™

HOSHIZAKI® **REACH-IN**

TempGuard® Model

RH2-SSB-GD

PARTS LIST

ITEM #: 71170
ISSUED: May 22, 2000
REVISED: September 27, 2005

CONTENTS

Auxiliary Codes.....	3
Note About Ordering Parts	3
Material Abbreviations	4
A. Reach-In.....	5
B. Refrigeration Assembly	7
C. Control Panel Assembly	11
D. Body-Final	13
E. Label Location	15
F. Condenser Assembly	16
G. Evaporator Assembly	18
H. Evaporator Shroud Assembly.....	19
J. Evap Drain Pan Assembly.....	20
K. Control Box Assembly	21
L. Body-Prefinal	23
M. Mullion-Vertical	25
N. Panel-Front Hinged Assembly.....	27
P. Literature and Packaging	28

Auxiliary Codes

RH2-SSB-GD	K-0	May 2000
	L-5	March 2001
	M-5	May 2002
	N-6	January 2003
	P-5	December 2003
	Q-5	December 2004

Note About Ordering Parts

Most assemblies cannot be ordered as complete units; parts in the assemblies generally must be ordered separately.

Material Abbreviations

ALUMINUM

AL = Aluminum

COPPER

CU = Copper

PLASTIC

ABS = Acrylonitrile -butadiene - styrene
AC = Polyacetal
EVA = Ethylene vinyl acetate
PA = Polyamide = Nylon
PC = Polycarbonate
PE = Polyethylene
PES = Polyester
PETP = Polyethylene terephthalate = Tetlon
PP = Polypropylene
PS = Polystyrene
PTFE = Polytetrafluoroethylene = Teflon
PUR = Polyurethane
PVC = Polyvinyl chloride

RUBBER

VN = Vinyl Nitrile
EPDM = EP rubber
NBR = Nitrile butadiene rubber
NR = Natural rubber
NP = Neoprene
SI.R = Silicone rubber
SY.R = Synthetic rubber
EPH = Epichlorohydrin

STEEL

GS = Galvanized steel
SS = Stainless steel
PS = Plated steel
PAS = Primed steel

AUXILIARY CODE

L-5

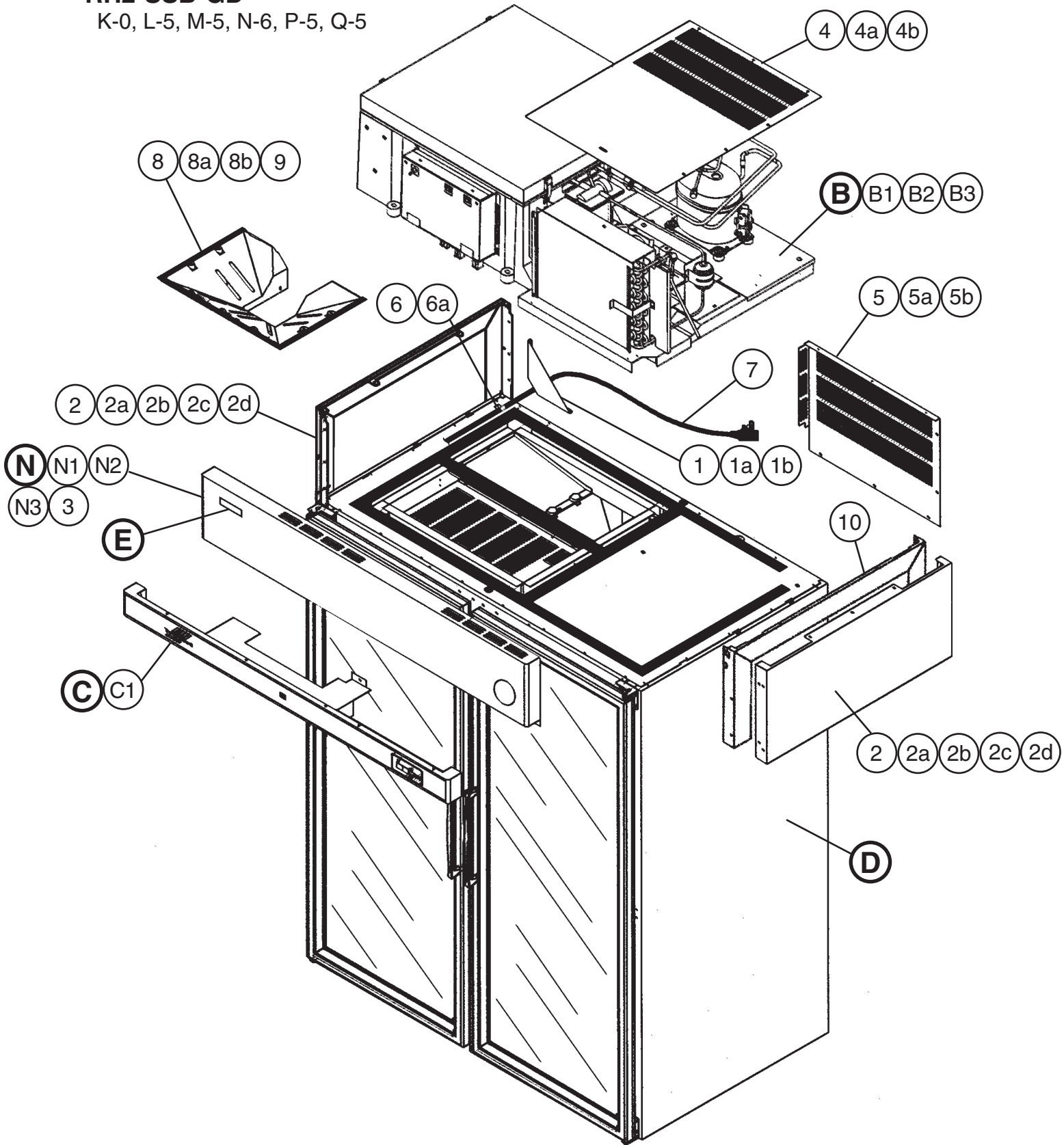
┌┐ Designates the year. "L" indicates the year 2001. Years progress or regress in alphabetical order.
┌┐ "J" is 1999, "K" is 2000, "M" is 2002, and so on. The letters "I" and "O" were skipped.
┌┐ Designates significant part changes within the same year for this model. Base is 5 (0 for code
┌┐ K-0) and this number advances for each change.

Example: P-6

┌┐ "P" indicates 2004.
┌┐ "6" indicates the first significant part change for 2004.

**A. Reach-In
RH2-SSB-GD**

K-0, L-5, M-5, N-6, P-5, Q-5



Title: **A. Reach-In** Model: **RH2-SSB-GD**

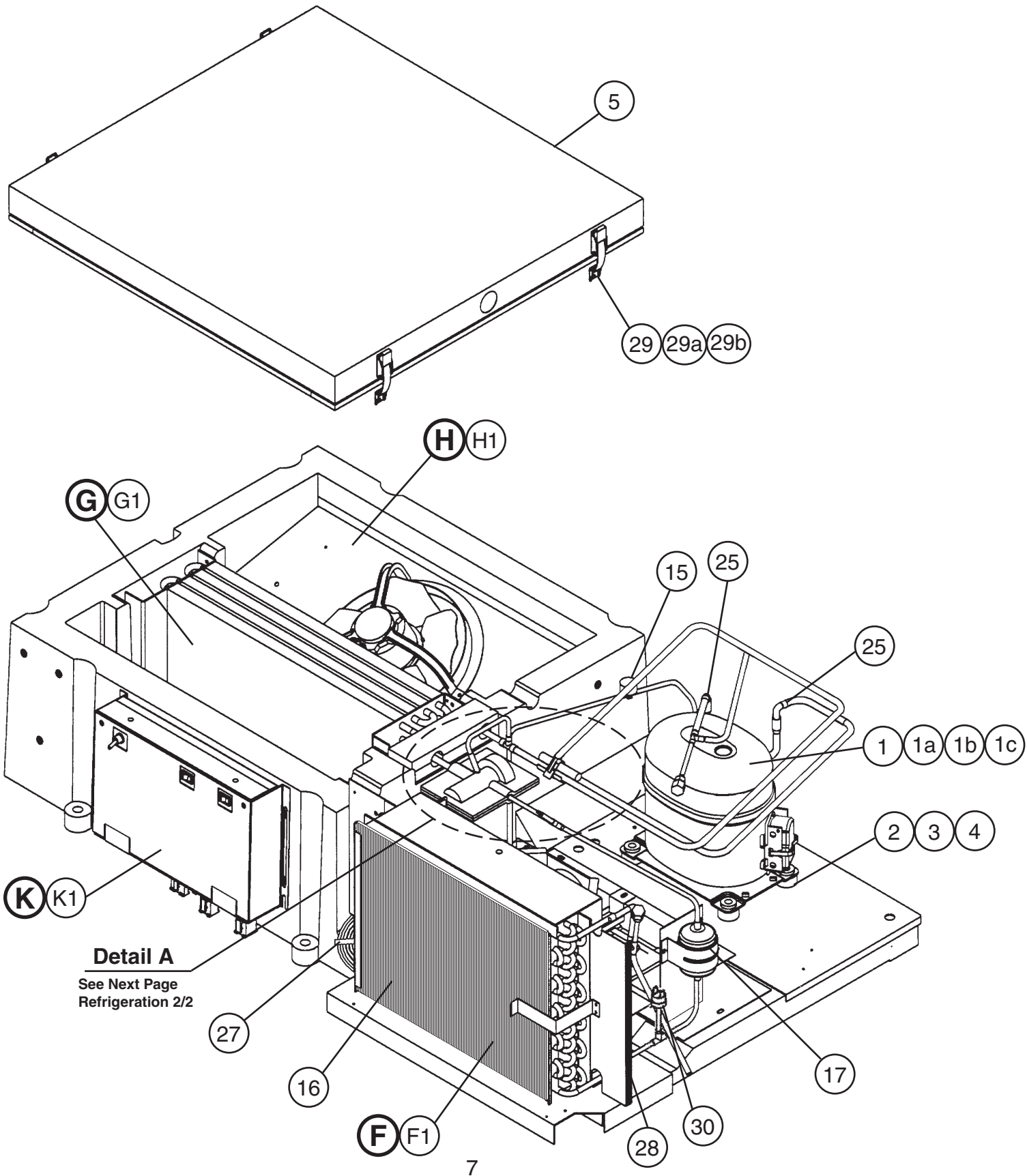
Index No.	Description	Material or Model Number	Part Number	Required Number									
				K-0	L-5 M-5	N-6 P-5	Q-5						
B	Refrigeration Assembly	-	1A0493A01	1	1	1	1						
B1	Bolt Assembly	8x45	437889-01	6	6	6	6						
B2	Hex Bolt	8x70	7B01-0870	2	2	2	2						
B3	Washer	8, SS	7W22-0800	2	2	2	2						
C	Control Panel Assembly	-	2A1219A03	1	1	1	1						
C1	T2 Screw	4x8, SS	7P32-0408	7	7	7	7						
D	Body – Final	-	2A1215A03	1	1	1	1						
E	Label Location	-	3A0603G05	1	1	1	1						
N	Panel – Front Hinged Assembly	-	2A2011A02	See Part #3 Below	1	1	1						
N1	Clevis Pin		8907-0102		2	2	2						
N2	Clotter Pin		8907-0103		2	2	2						
N3	Flat Washer		4A0655-03		2	2	2						
1	Gusset – Side, Top	GS	3A1006-01	1	1	-							
	Gusset – Frame		4A2845-01			1	-						
			4A3856-01				1						
1a	T2 Screw	4x8, SS	7P32-0408	2	2	4	4						
1b	Truss Head Screw	5x10	7C31-0510	2	2	-							
2	Panel – Side, Top	SS	2A0615-02	2	-								
			2A1800-01		2	2	2						
2a	Insert – Threaded	M5	4A0407-01	10	4	4	4						
2b	Taper Collar	SS	4H0171-01	4	4	4	4						
2c	Countersunk Screw	5x20, SS	7C42-0520	4	4	4	4						
2d	Bracket – Hinge	GS	4A2306-01		2	2	2						
3	Panel – Front	SS	1A0040-01	1	See Assembly N								
4	Top UL Cover	GS	2A1118-03	1	1	1	1						
4a	T2 Screw	4x8, SS	7P32-0408	2	5	5	5						
4b	Truss Head Screw	5x10, SS	7C32-0510	3	-								
5	Rear UL Cover	GS	2A1117-01	1	1	1	1						
5a	T2 Screw	4x8, SS	7P32-0408	3	5	5	5						
5b	Truss Head Screw	5x10, SS	7C32-0510	2	-								
6	Wire Clamp	PS	4A0809-03	1	1	1	1						
6a	Truss Head Screw	5x8, SS	7C32-0508	1	1	1	1						
7	Power Cordset	-	4A1543-01	1	1	1	1						
8	Distributor – Air Top	ABS	1A0152-02	1	1	1	1						
8a	T2 Screw	4x8, SS	7P32-0408	7	7	7	7						
8b	T2 Screw	4x10, SS	7P32-0410	2	2	2	2						
9	Gasket	L=1061	4A0808L02	1	1	1	1						
10	Frame – Side Top	GS	2A1803-01		2	2	2						

B. Refrigeration Assembly

1/2

RH2-SSB-GD

K-0, L-5, M-5, N-6, P-5, Q-5

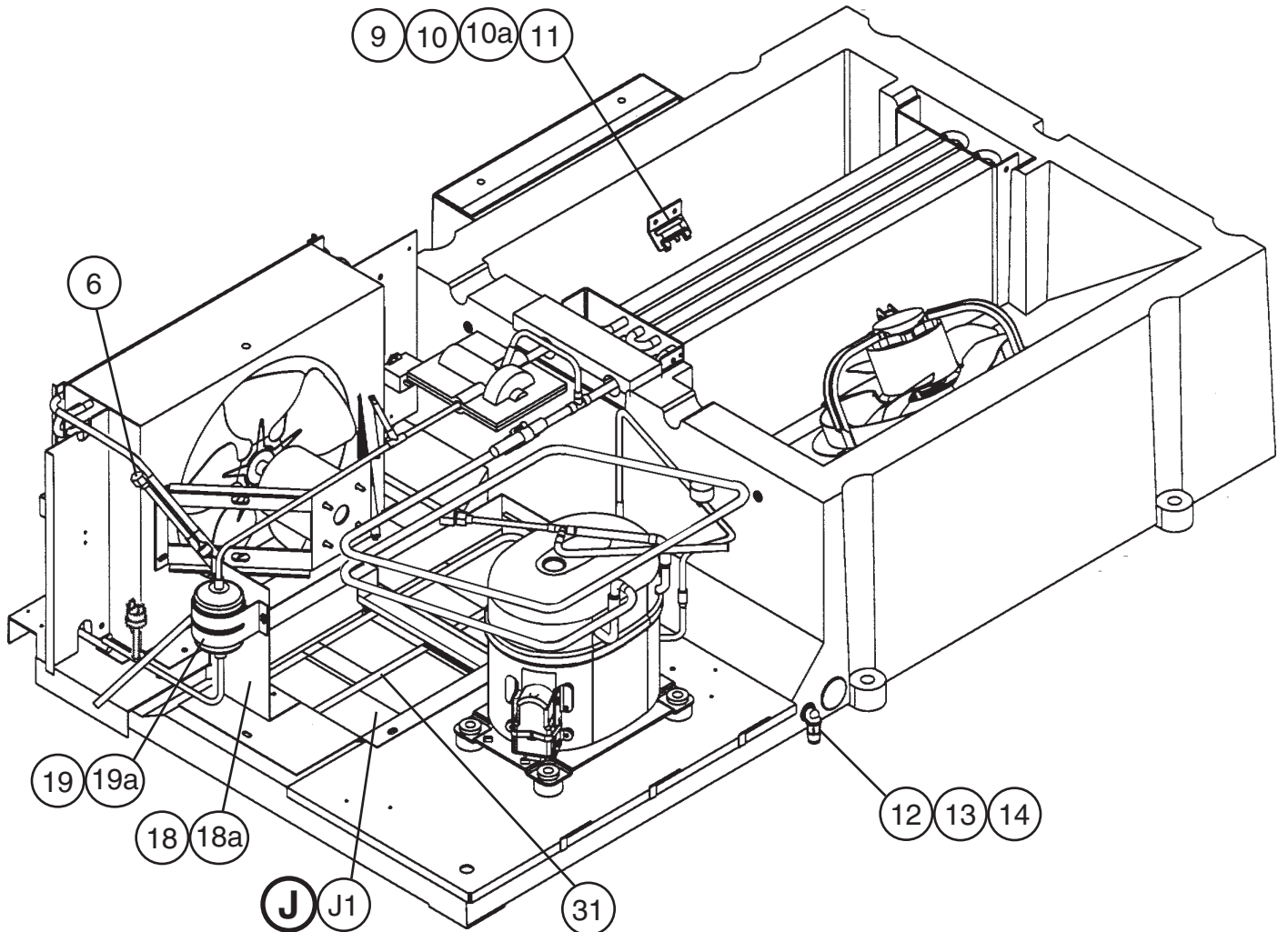
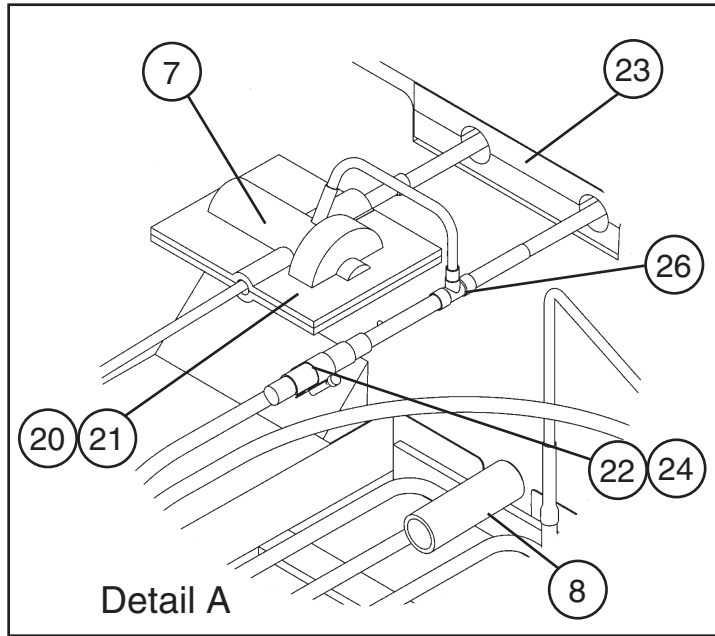


B. Refrigeration Assembly

2/2

RH2-SSB-GD

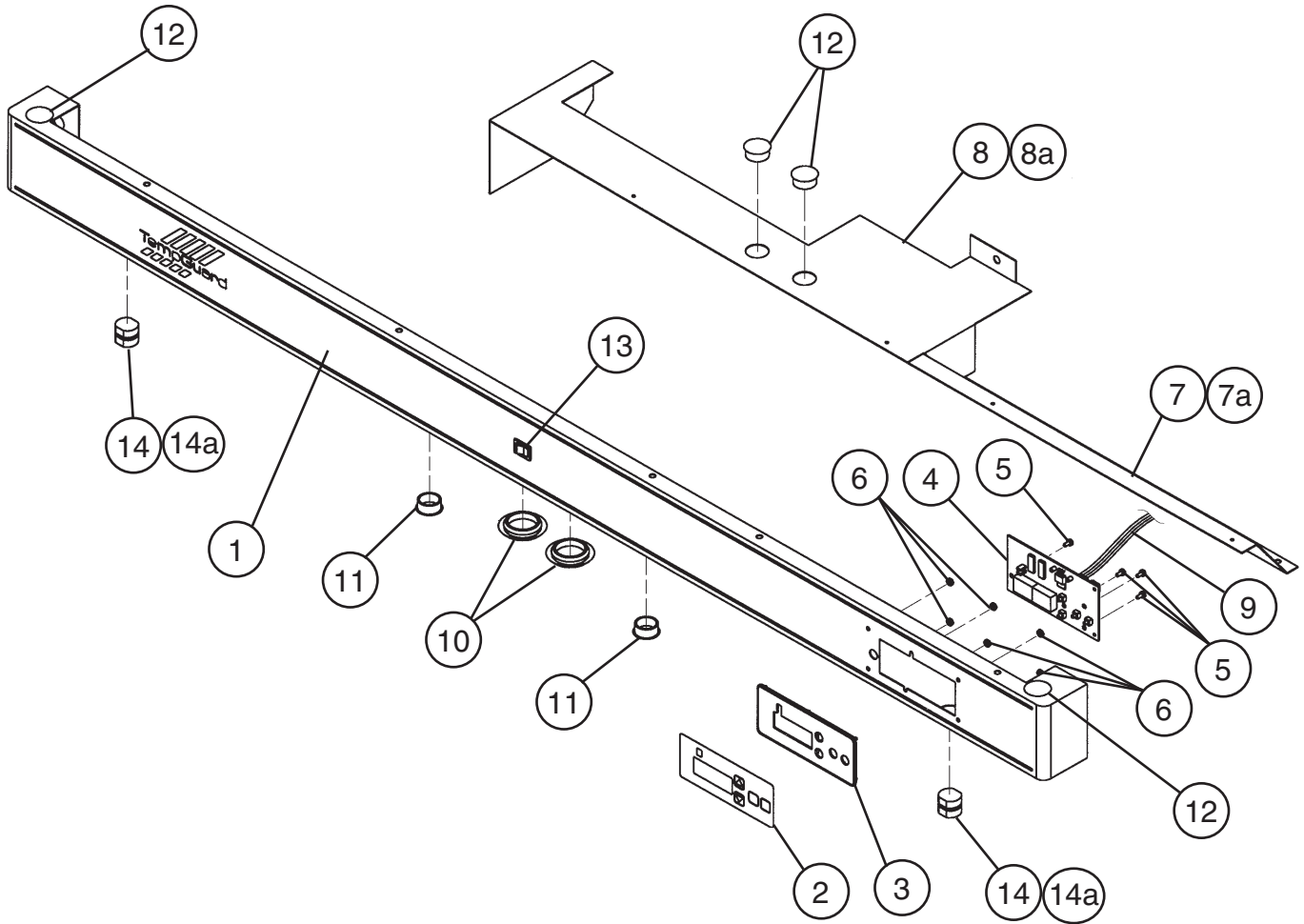
K-0, L-5, M-5, N-6, P-5, Q-5



Title: B. Refrigeration Assembly Model: RH2-SSB-GD												
Index No.	Description	Material or Model Number	Part Number	Required Number								
				K-0	L-5	M-5 to Q-5						
F	Condenser Assembly	-	3A0585A01	1	1	1						
F1	T2 Screw	4x8, SS	7P32-0408	4	4	4						
G	Evap Assembly	-	2A1297A02	1	1	1						
G1	T2 Screw	4x8, SS	7P32-0408	2	2	2						
H	Evap Shroud Assembly	-	3A0263G01	1	1	1						
H1	Truss Head Screw	4x16, SS	7C32-0416	2	2	2						
J	Evap Drain Pan Assembly	-	4A0679A02	1	-							
			4A0679A03		1	1						
J1	T2 Screw	4x8, SS	7P32-0408	6	6	6						
K	Control Box Assembly	-	2A1732A01	1	1	1						
K1	Truss Head Screw	4x16, SS	7C32-0416	4	4	4						
1	Compressor	-	4A1820-01	1	1	1						
1a	Protector	(Included with new compressor)	4A1875-01	1	1	1						
1b	Protective Cover Group	AKP1000	Supplied with compressor	1	1	1						
1c	Protector Holder	26126		1	1	1						
2	Spacer	027-0072-02	434404-01	4	4	4						
3	Grommet	027-0073-00	434403-01	4	4	4						
4	Bolt	-	437889-01	4	4	4						
5	Cover Evap Case	-	2A0245G01	1	1	1						
6	Cond – Dis Assembly	-	3A1585G01	1	1	1						
7	Expansion Valve		4A2095-01	1	1	1						
8	Pipe – Evap Drain	PVC	3A0143-01	1	1	1						
9	Thermistor – Cabinet	4A1429	4A1429-01	1	1	1						
10	Thermistor Bracket (A)	ABS	433964-01	1	1	1						
10a	Truss Head Screw	4x16, SS	7C32-0416	2	2	2						
11	Thermistor Bracket (B)	SS	433920-01	1	1	1						
12	Elbow – Tubing	PP	4A0711-01	1	1	1						
13	Bushing	SB-750-625	420470-13	1	1	1						
14	Vinyl Hose	L=350	773013812	1	1	1						
15	Thermostat – Clean Filter	37TJ32	4A0484-01	1	1	1						
16	Filter – Condenser	-	3A0277-02	1	1	1						
17	Drier	C-05E73	4A0924-01	1	1	1						
18	Drier Stand	GS	4A0949-01	1	1	1						
18a	T2 Screw	4x8, SS	7P32-0408	2	2	2						
19	Drier – Bracket	GS	4A0806-01	1	1	1						
19a	T2 Screw	4x8, SS	7P32-0408	2	2	2						
20	Exp Valve Cover (A)	PE Foam	3A0372-01	1	1	1						
21	Exp Valve Cover (B)	PE Foam	3A1495-01	1	1	1						
22	Holder – Exp Valve	SS	3A0107-01	1	1	1						
23	Seal – Ref Tubing	NP	3A0257-01	2	2	2						
24	Hose Clamp	6808	443461-01	1	1	1						

Title: B. Refrigeration Assembly Model: RH2-SSB-GD												
Index No.	Description	Material or Model Number	Part Number	Required Number								
				K-0	L-5	M-5 to Q-5						
25	Elbow	CU	4A0726-02	2	2	2						
26	Tee	996	436000-06	1	1	1						
27	Wire Tie (Twist)	232-160607-00-0101	4A1223-01	5	5	5						
28	Foam Tape	L=300	8208-0005	1	1	1						
29	Draw Latch	97-50-224-11	4A1710-01	4	4	4						
29a	T2 Screw	4x8, SS	7P32-0408	8	8	8						
29b	Truss Head Screw	4x16, SS	7C32-0416	4	4	4						
30	Switch – Pressure	Previously part of Assembly F	4A2516-02			1						
31	Coil Condensate		2A1856-01	1	1	1						

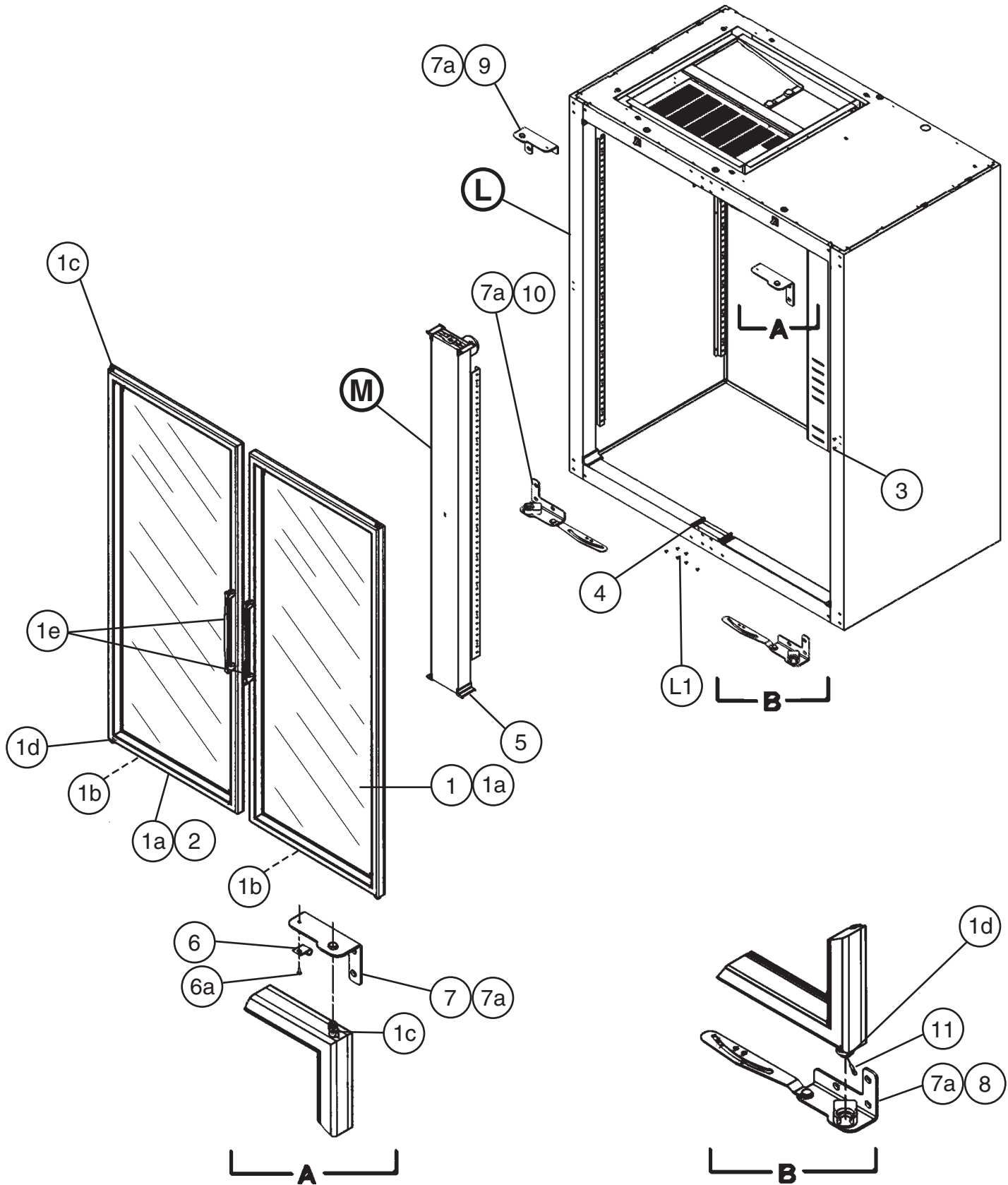
C. Control Panel Assembly RH2-SSB-GD K-0, L-5, M-5, N-6, P-5, Q-5



Title: C. Control Panel Assembly Model: RH2-SSB-GD												
Index No.	Description	Material or Model Number	Part Number	Required Number								
				K-0	L-5 M-5	N-6	P-5	Q-5				
1	Panel – Control (Painted GD)		3A1571G01	1	-							
			1A0631G01		1	-						
	Panel – Control		1A0835-02			1	1	1				
2	Label – Display	-	4A1558-01	1	1	-						
			3A2850-01			1	1	1				
3	Mount – Display Board	PC	3A0823-01	1	1	1	1	1				
4	Board – Display	3287A000	2A0883-01	1	1	1	1	1				
5	Nylon Screw	50M030050G006	4A1397-01	4	4	4	4	4				
6	Palnut	SR 125004	4A1398-01	6	6	6	6	6				
7	Board Cover	GS	3A1046-01	1	1	1	1	1				
7a	T2 Screw	4x8, SS	7P32-0408	2	2	2	2	2				
8	Control Panel Cover	GS	3A0599-01	1	1	1	-					
	UL Cover – Wire Prison		2A2308-01				1	1				
8a	T2 Screw	4x8, SS	7P32-0408	2	2	2	2	2				
9	Ribbon Cable	D-HA-104	4A1106-02	1	1	1	1	1				
10	Plug – Hole	PE	4A0420-02	2	2	2	2	-				
	Locking Hole Plug		4A0586-02					2				
11	Locking Hole Plug	2663(Black)	4A0586-04	2	2	2	2	2				
12	Locking Hole Plug	2703(Black)	4A0586-03	4	4	4	4	4				
13	Switch – Rocker	1801-1102	4A0418-01	1	1	1	1	1				
14	Strain Relief		4A2148-01	2	2	2	2	2				
14a	Washer		4A2147-01	4	4	4	4	4				

D. Body-Final RH2-SSB-GD

K-0, L-5, M-5, N-6, P-5, Q-5

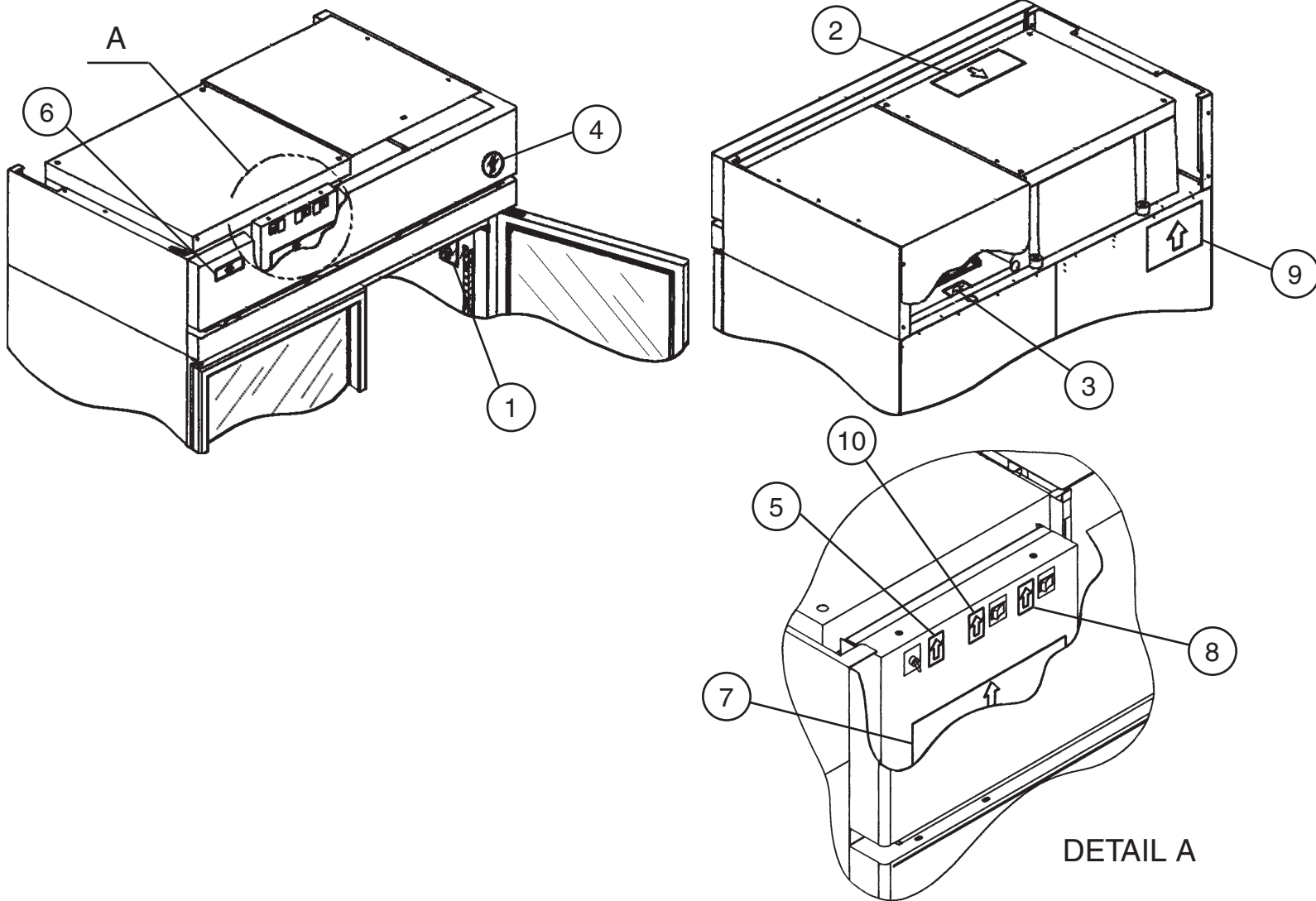


Title: D. Body-Final Model: RH2-SSB-GD												
Index No.	Description	Material or Model Number	Part Number	Required Number								
				K-0	L-5	M-5 to Q-5						
L	Body – Prefinal	-	2A1207A03	1	1	1						
L1	Truss Head Screw	5x10, SS	7C32-0510	12	12	12						
M	Mullion – Vertical	-	2A1289A02	1	1	1						
1	Glass Door (Right)	-	2A1720-01	1	1	1						
1a	Gasket – Glass Door		4A2052-01	2	2	2						
1b	Pin – Glass Door		4A2047-01	2	2	2						
1c	Clip – Glass Door		4A2048-01	2	2	2						
1d	Rod – Torque		4A2072-01	2	2	2						
1e	Handle – Glass Door		4A2106-01	2	2	2						
2	Glass Door (Left)	-	2A1730-01	1	1	1						
3	Canoe Clip	254-090301-00-0108	4A0629-01	6	6	6						
4	Bracket – Corner	SS	4A0350-01	4	-							
			4A2261-01		4	-						
			4A2655-01			4						
5	Cover – Corner	ABS	3A0221-01	4	-							
			3A1751-01		8	8						
6	Wire Clamp	PS	4A0809-02	2	2	2						
6a	Truss Head Screw	4x6, SS	7C32-0406	2	2	2						
7	Hinge – Top Glass Door (Right)	SS	3A1568-01	1	1	1						
7a	Countersunk Screw	5x20, SS	7C42-0520	12	12	12						
8	Hinge – Bottom Glass Door (Right)	SS	3A1569-01	1	1	1						
9	Hinge – Top Glass Door (Left)	SS	3A1550-01	1	1	1						
10	Hinge – Bottom Glass Door (Left)	SS	3A1551-01	1	1	1						
11	Pin, Torque	15-10320-0001	4A2071-01	2	2	2						

E. Label Location

RH2-SSB-GD

K-0, L-5, M-5, N-6, P-5, Q-5

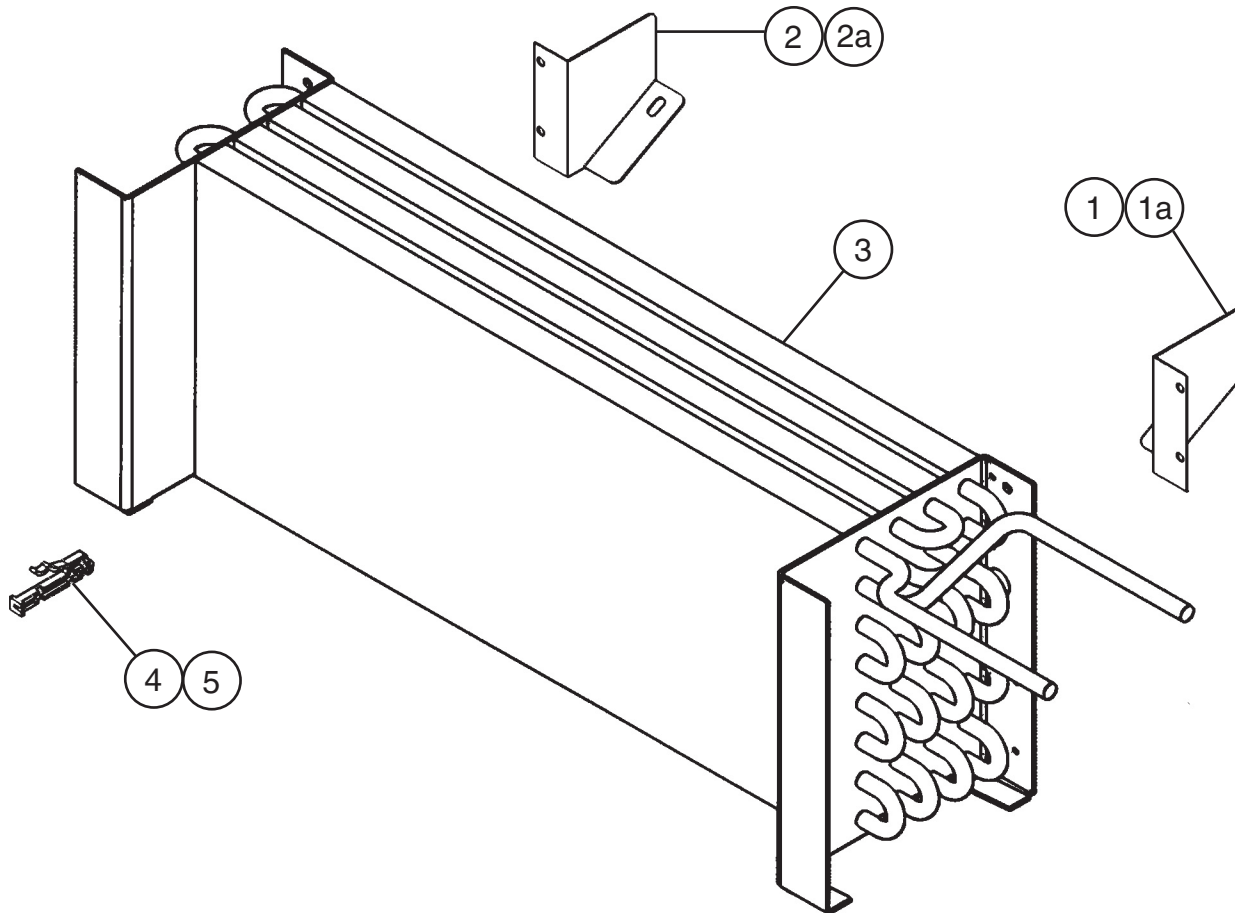


Title: E. Label Location		Model: RH2-SSB-GD		Required Number										
Index No.	Description	Material or Model Number	Part Number	K-0	P-5									
				to N-6	Q-5									
1	Cover – Nameplate		4A3727-01		1									
2	Wiring Label	PVC Film	2A1737-01	1	-									
			2A2353-01		1									
3	Label – R404A	-	4A0960-01	1	1									
4	Label – Penguin – HA(L)	-	4A0526-02	1	1									
5	Label – On/Off	PVC Film	4A0522-01	1	1									
6	Emblem – Hoshizaki	-	4A0560-01	1	1									
7	Label – Display Info	PVC Film	3A1413-01	1	1									
8	Label – Door Heater Switch	PVC Film	4A1039-01	1	1									
9	Caution Label	PVC Film	4A1931-01	1	1									
10	Label – Glass Door Heater Switch	PVC Film	4A2076-01	1	1									

Title: F. Condenser Assembly Model: RH2-SSB-GD											
Index No.	Description	Material or Model Number	Part Number	Required Number							
				K-0 L-5	M-5 to P-5	Q-5					
1	Condenser	973803	2A0638-01	1	1	1					
2	Shroud – Condenser	GS	2A1491-01	1	1	1					
2a	T2 Screw	4x8, SS	7P32-0408	8	8	-					
		4x12, SS	7P32-0412			8					
3	Fan Motor	U90B1 7190-1031	440911-01	1	1	-					
		5KCP84DFK148S GE	4A3158-01			1					
4	Self Locking Nut	8x32	7N2110832	4	4	4					
5	Fan Blade (Puller)	AL	4A1865-01	1	1	1					
6	Bracket – Condenser Fan Motor	GS	2A1668-01	1	1	1					
6a	Truss Head Screw	5x12, SS	7C32-0512	4	4	4					
7	Retainer – Filter	SS	4A2138-01	1	1	1					
7a	T2 Screw	4x8	7P32-0408	2	2	2					
8	Insert – Threaded	M5	4A0407-01	5	5	5					
9	Base – Condenser	GS	2A1217-01	1	1	1					
10	Grommet Strip	L-380	4A1341L01	1	1	1					
11	Bracket – Press Switch (A)	GS	4A0552-01	1	-						
11a	T2 Screw	4x8, SS	7P32-0408	1	-						
12	Bracket – Press Switch (B)	GS	4A1565-01	1	-						
12a	T2 Screw	4x8, SS	7P32-0408	2	-						
13	Grommet Strip	L=70	4A1341L01	1	1	1					
14	Grommet Strip	L=63.5	4A1341L01	1	1	1					
15	Capacitor	UP25B505UEF	443192-02	1	1	1					
15a	T2 Screw	4x8, SS	7P32-0408	1	1	1					
16	Switch – Pressure	See Assembly B	3A0335-02	1	-						

G. Evaporator Assembly RH2-SSB-GD

K-0, L-5, M-5, N-6, P-5, Q-5

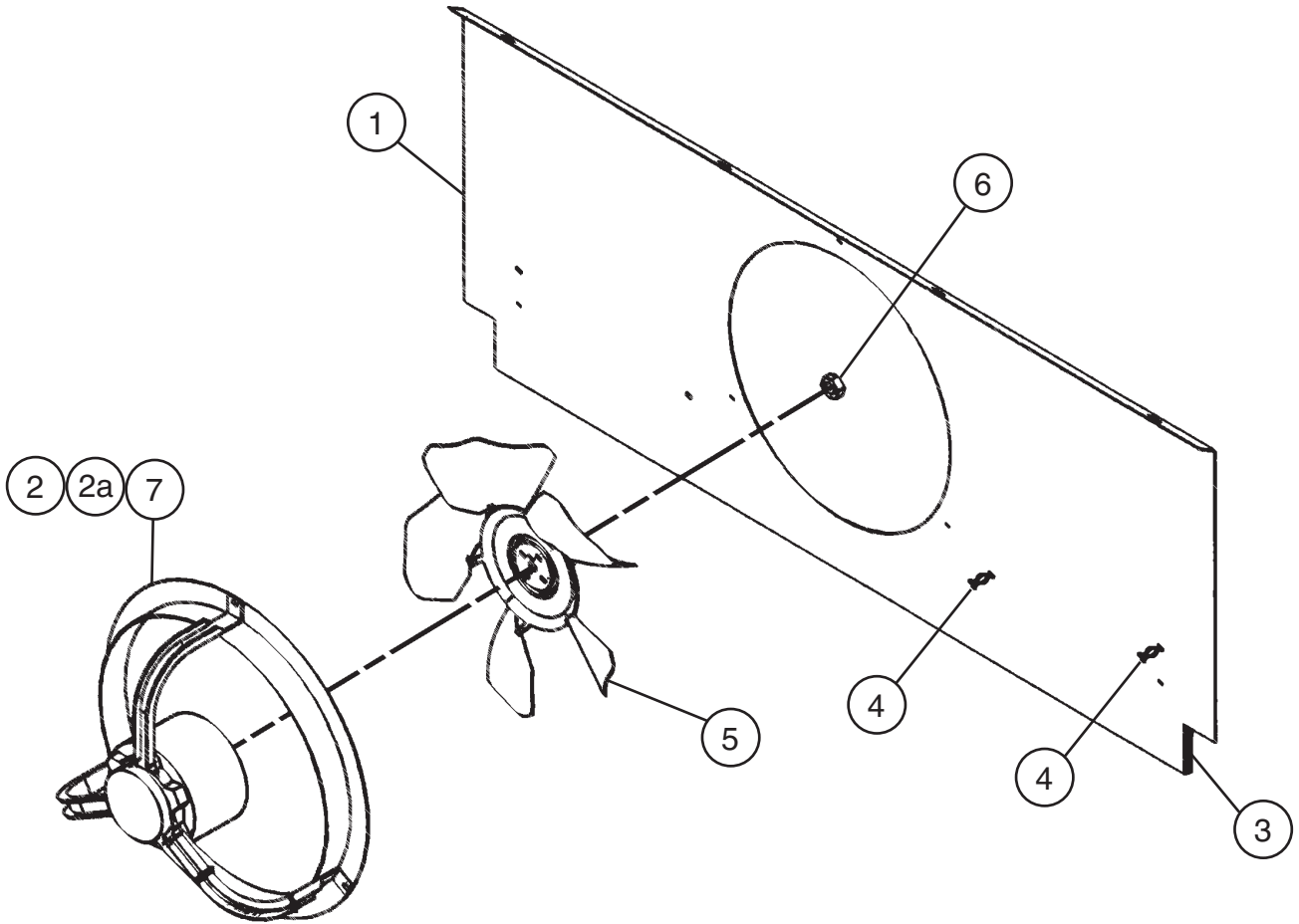


Title: G. Evaporator Assembly Model: RH2-SSB-GD					Required Number											
Index No.	Description	Material or Model Number	Part Number	K-0 to Q-5												
1	Bracket – Evap Shroud (R)	SS	4A0545-01	1												
1a	T2 Screw	4x8, SS	7P32-0408	2												
2	Bracket – Evap Shroud (L)	SS	4A0548-01	1												
2a	T2 Screw	4x8, SS	7P32-0408	2												
3	Evaporator	3EZ0603KT	2A1252-01	1												
4	Clip – Thermistor	-	320418-01	1												
5	Thermistor – Defrost	-	4A1428-01	1												

H. Evaporator Shroud Assembly

RH2-SSB-GD

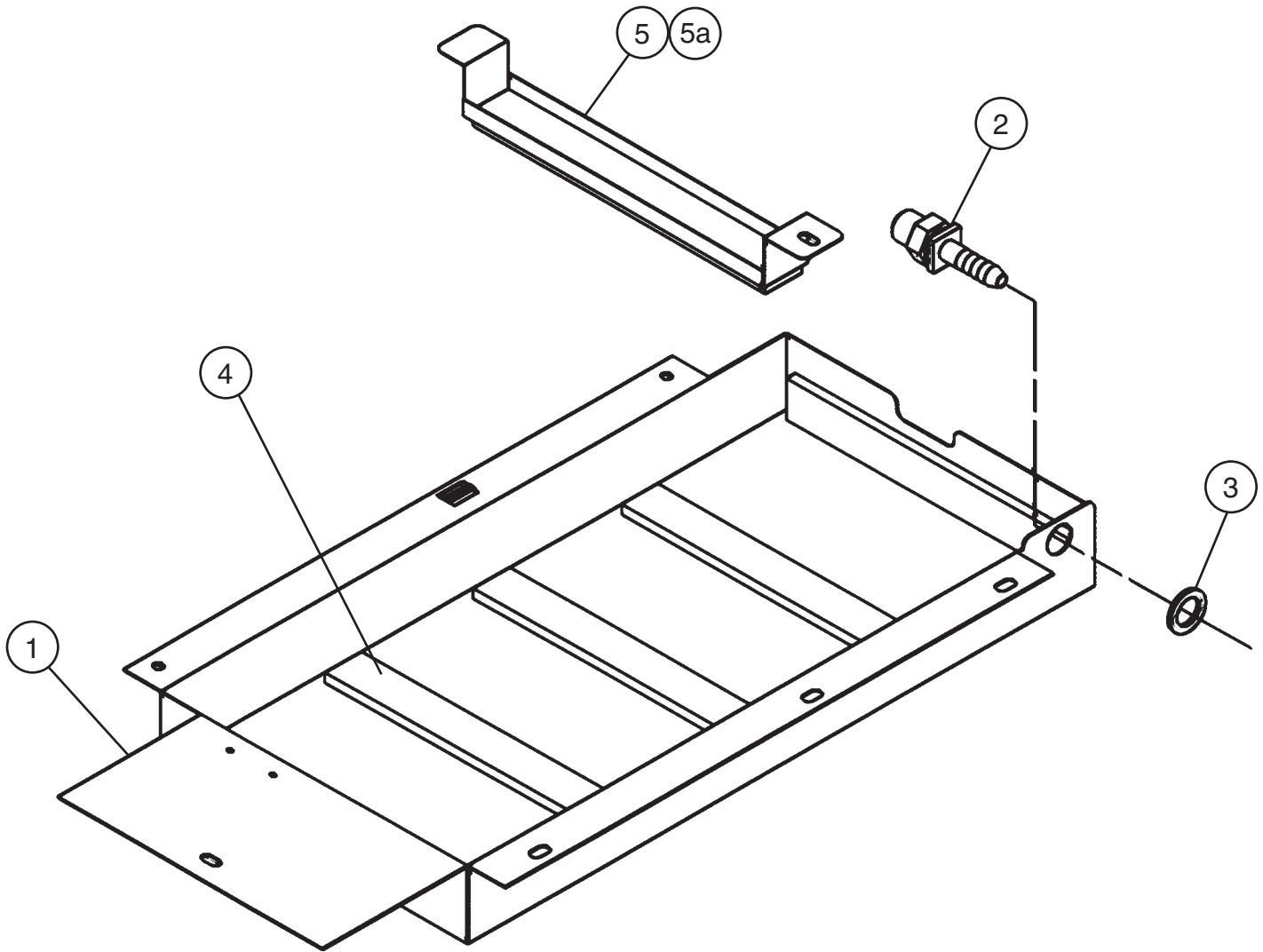
K-0, L-5, M-5, N-6, P-5, Q-5



Title: H. Evaporator Shroud Assembly Model: RH2-SSB-GD						Required Number								
Index No.	Description	Material or Model Number	Part Number	K-0	L-5 to Q-5									
						1	Shroud – Evap	SS	1A0100-01	1	1			
2	Evap Fan Assembly	-	4A0411-01	1	1									
2a	T2 Screw	4x8, SS	7P32-0408	3	3									
3	Gasket – PVC	L=502	4A0414L01	1	-									
			4A0414L03		1									
4	Wire Tie (Twist)	Nylon	4A1223-01	2	2									
5	Blade – Fan (Pusher)	AD9CCW30UBA	3A0438-01	1	1									
6	Hex Nut	PS	4A1345-01	1	1									
7	Lock Washer	SS	4A0459-01		3									

J. Evap Drain Pan Assembly RH2-SSB-GD

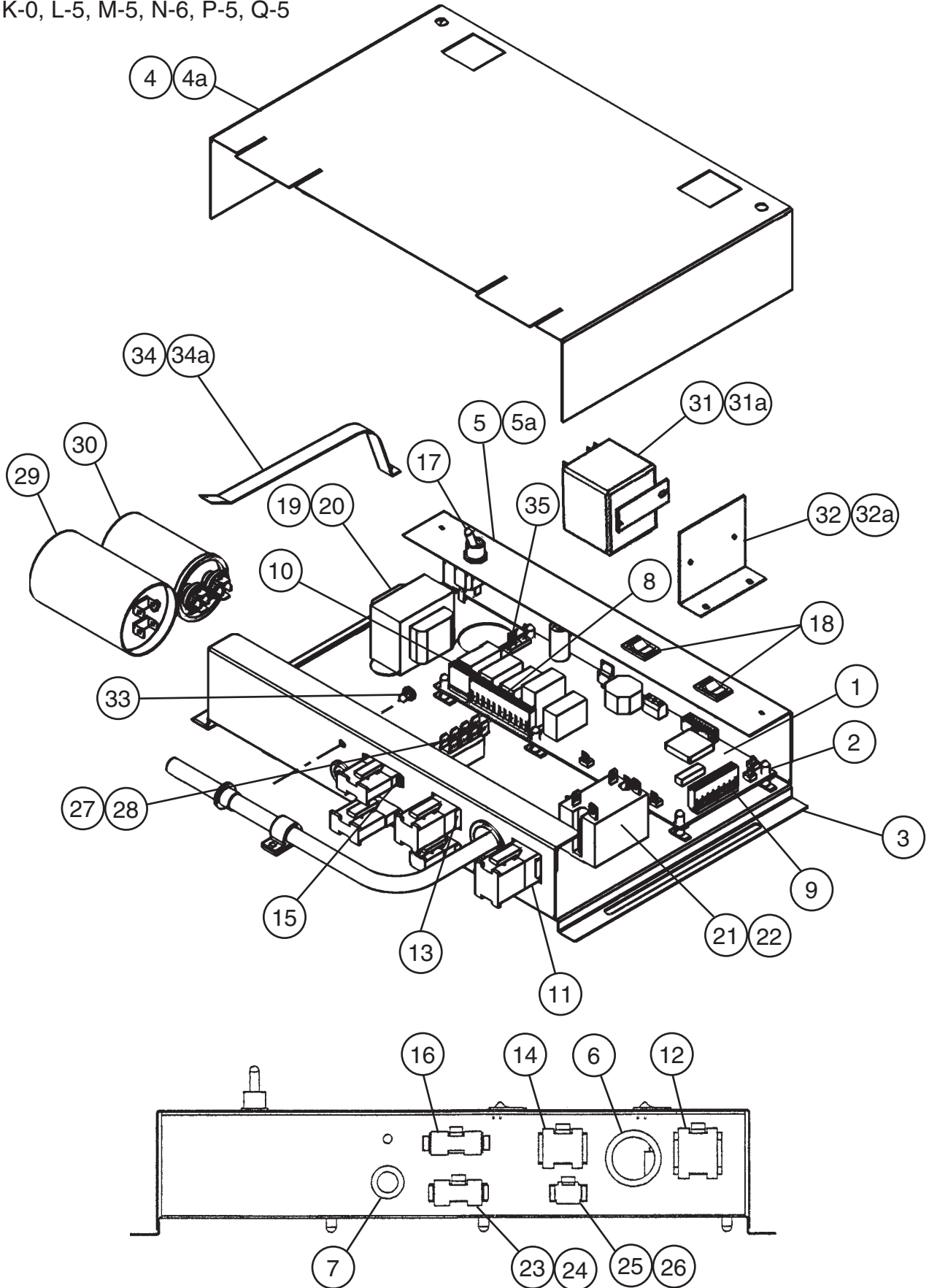
K-0, L-5, M-5, N-6, P-5, Q-5



Title: J. Evap Drain Pan Assembly		Model: RH2-SSB-GD		Required Number															
Index No.	Description	Material or Model Number	Part Number	K-0	L-5 to Q-5														
						1	Pan Evap Drain	SS	2A0200-02	1	1								
2	Fitting - Drain Overflow	Nylon	4A2182-01	1	1														
3	Rubber Gasket	-	413854-03	1	1														
4	Gasket - Cond Coil	R-471E SBE-41	4A0455-01	6	1														
5	Strap - Condensate Coil	SS	3A0413-01	1	-														
			3A0413-03		1														
5a	Truss Head Screw	5x10, SS	7C32-0510	1	1														

K. Control Box Assembly RH2-SSB-GD

K-0, L-5, M-5, N-6, P-5, Q-5

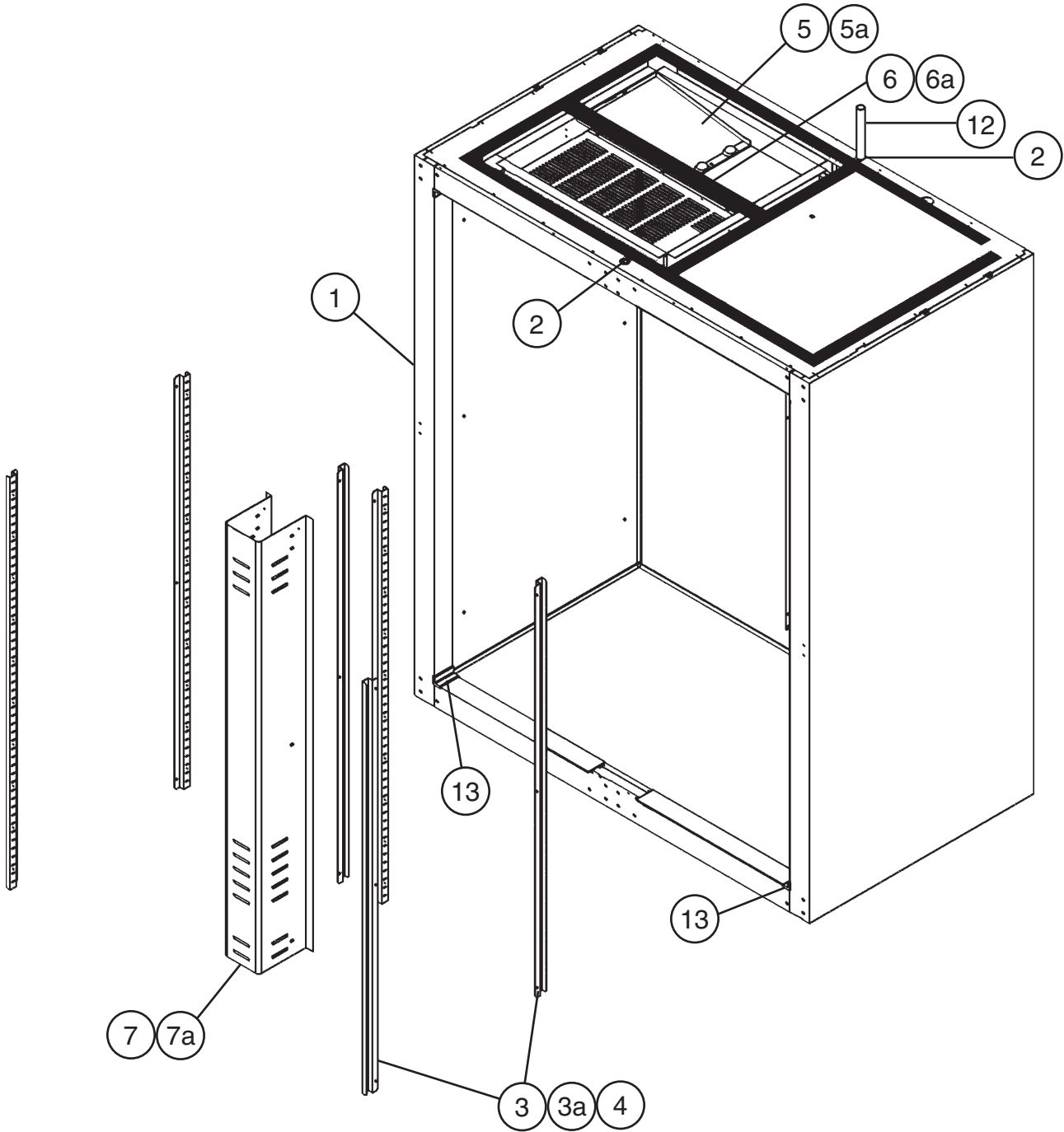


Title: **K. Control Box Assembly** Model: **RH2-SSB-GD**

Index No.	Description	Material or Model Number	Part Number	Required Number									
				K-0	L-5	M-5 to P-5	Q-5						
1	Board – Control	3288C000	2A0882-01	1	-								
		3288D000	2A1854-01		1	1	-						
		3288E000	2A2862-21				1						
2	Board Support	NYLON	4A0336-03	6	6	6	6						
3	Base – Control Box	GS	2A1146-01	1	1	1	1						
4	Cover – Control Box	GS	2A1031-02	1	1	1	1						
4a	T2 Screw	4x8, SS	7P32-0408	2	2	2	2						
5	Switch – Bracket	GS	2A1032-02	1	1	1	1						
5a	T2 Screw	4x8, SS	7P32-0408	2	2	2	2						
6	Bushing	SB-1093-15	420470-03	1	1	1	1						
7	Bushing	SB-625-8	420470-01	1	1	1	1						
8	Board Connector	5198-10	434003-05	1	1	1	1						
9	Board Connector	5198-07	434003-07	1	1	1	1						
10	Board Connector	5198-03	434003-11	1	1	1	1						
11	Plug Housing (9 Pin)	3191-09P	412832-02	1	1	1	1						
12	Receptacle Housing (9 Pin)	3191-09R1	412831-02	1	1	1	1						
13	Plug Housing (6 Pin)	3191-06P	412832-03	1	1	1	1						
14	Receptacle Housing (6 Pin)	3191-06R1	412831-03	1	1	1	1						
15	Plug Housing	03-12-1036	4A0425-01	1	1	1	1						
16	Receptacle Housing	03-12-1035	4A0426-01	1	1	1	1						
17	Switch – Toggle	780K21	4A0424-01	1	1	1	1						
18	Switch – Rocker	1801.110	4A0418-01	2	2	2	2						
19	Transformer	Interchangeable but requires part 35 below	3A0172-01	1	-								
			3A1759-01		1	1	1						
20	Tapping Screw	3x8	431415-01	1	2	2	2						
21	Comp Relay	HE1aN-AC120V	4A1307-01	1	1	1	1						
22	Tapping Screw	3x8	431415-01	2	2	2	2						
23	Receptacle Housing (4 Pin)	3191-04R1	412831-05	1	1	1	1						
24	Plug Housing (4 Pin)	3191-4P	412832-05	1	1	1	1						
25	Receptacle Housing (2 Pin)	3191-02R1	412831-07	1	1	1	1						
26	Plug Housing (2 Pin)	3191-2P	412832-07	1	1	1	1						
27	Terminal Block	-	4A1540-01	1	1	-							
			4A2619-01			1	1						
28	Tapping Screw		431415-01	1	1	1	1						
29	Capacitor – Start		3A0076-15	1	1	1	1						
30	Capacitor – Run		439943-02	1	1	-							
			3A2005-06			1	1						
31	Starter	-	4A1107-04	1	1	1	1						
31a	T2 Screw	4x8, SS	7P32-0408	1	1	1	1						
32	Mount Bracket		4A1876-01	1	1	1	1						
32a	T2 Screw	4x8, SS	7P32-0408	2	2	2	2						
33	Grounding Screw	M5	433304-02	1	1	1	1						
34	Strap		434580-08	1	1	1	1						
34a	T2 Screw	4x8, SS	7P32-0408	1	1	1	1						
35	Board Connector	See note on #19 above	434003-09			1	1						

L. Body-Prefinal
RH2-SSB-GD

K-0, L-5, M-5, N-6, P-5, Q-5

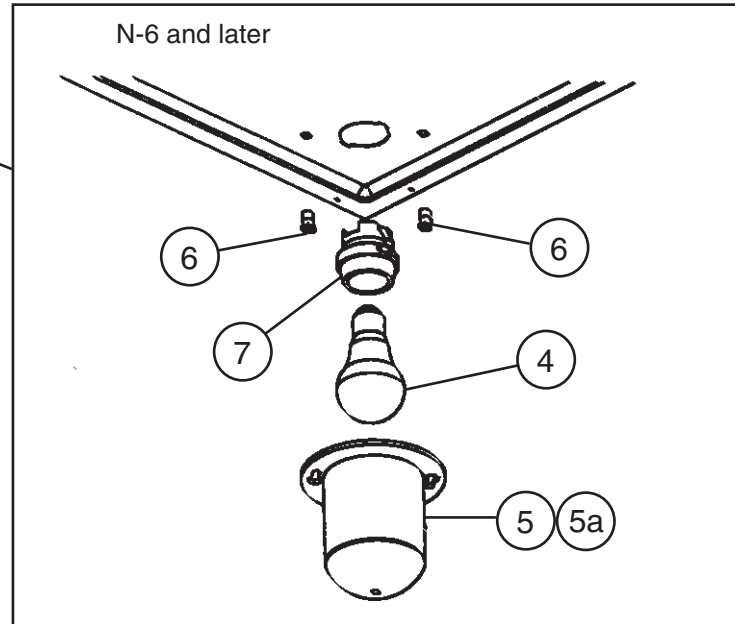
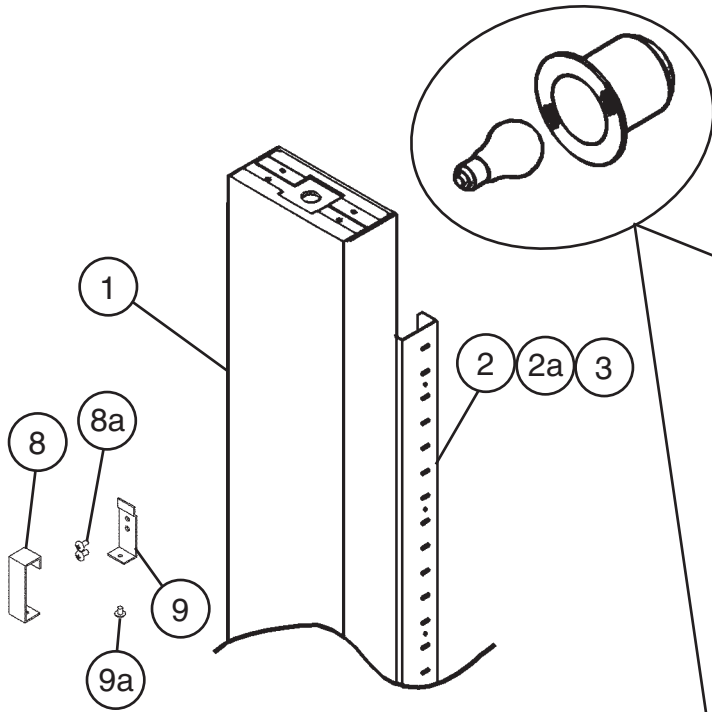


Title: L. Body-Prefinal Model: RH2-SSB-GD											
Index No.	Description	Material or Model Number	Part Number	Required Number							
				K-0	L-5 to P-5	Q-5					
1	Cabinet – Prefoam	-	2A0706G03	1	1	1					
2	Bushing	OCB-875	428394-04	2	2	2					
3	Pilaster	SS	3A0145-01	6	6	6					
3a	Truss Head Screw	5x10, SS	7C32-0510	18	18	18					
4	Insert – Threaded (M5)	PS	4A0407-01	18	18	18					
5	Baffle – Air	ABS	2A0625-01	1	1	1					
5a	Truss Head Screw	5x10, SS	7C32-0510	2	2	2					
6	Divider – Air	SS	2A0199-01	1	1	1					
6a	T2 Screw	4x8, SS	7P32-0408	4	4	4					
7	Distributor – Air (Bottom)	SS	1A0512-01	1	1	-					
			1A0985-01			1					
7a	Truss Head Screw	5x10, SS	7C32-0510	6	6	6					
12	Vinyl Hose	L=1700	7730I3812	1	1	1					
13	Cover – Corner	ABS	3A0221-01	4	-						
		ABS	3A1751-01		4	4					

M. Mullion-Vertical

RH2-SSB-GD

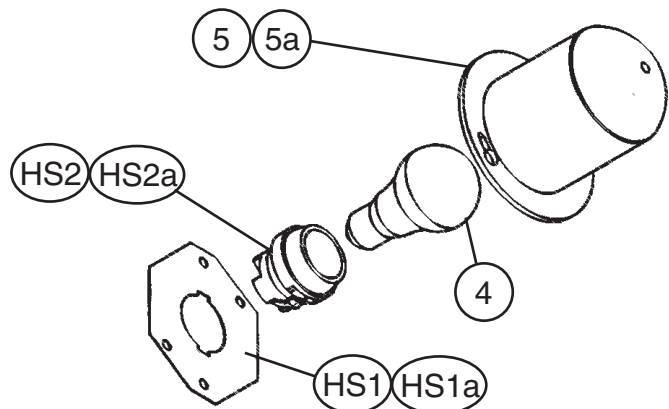
K-0, L-5, M-5, N-6, P-5, Q-5



M-5 and earlier

The santoprene light socket was changed to a porcelain lampholder at N-6. This change is non-interchangeable. If the light socket is not operating on a unit with a santoprene light socket, Hoshizaki recommends replacement with HS-3554.

Note:
Parts 4, 5, and 5a are not included in HS-3554; they are shown for reference only.



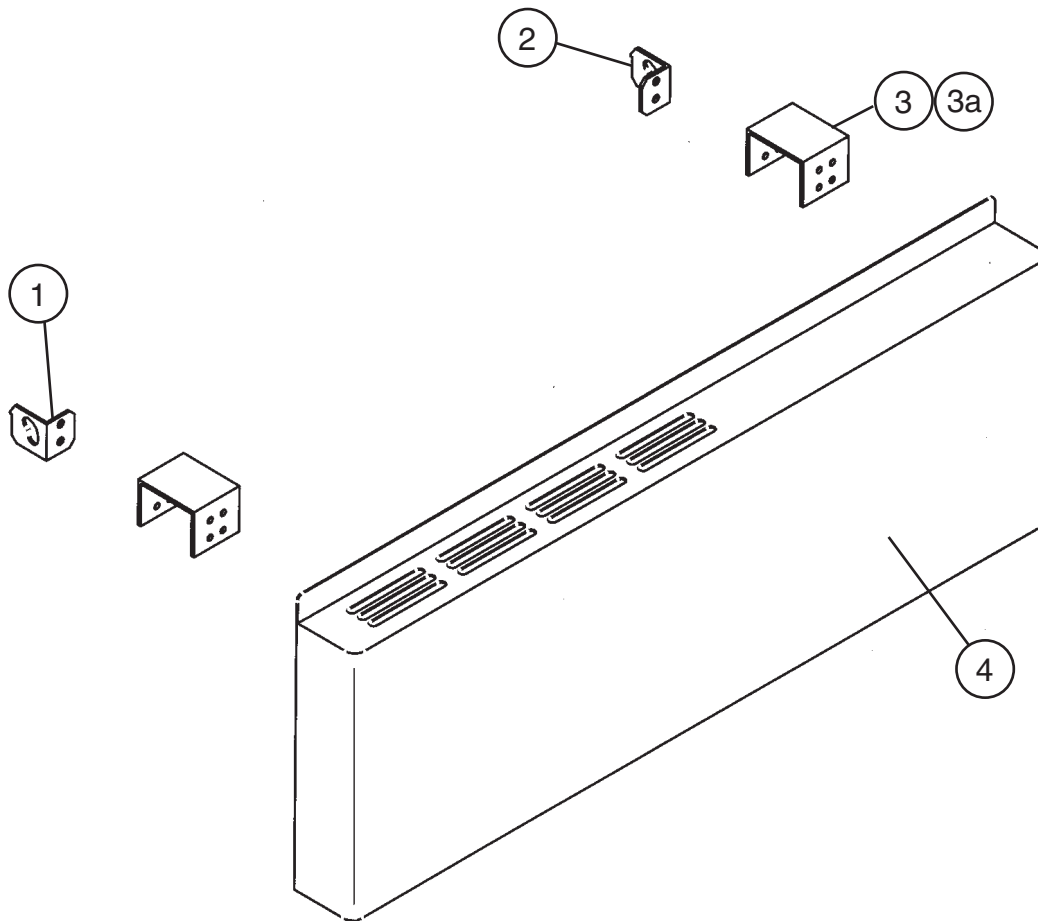
Title: M. Mullion-Vertical Model: RH2-SSB-GD												
Index No.	Description	Material or Model Number	Part Number	Required Number								
				K-0	L-5	M-5	N-6 P-5	Q-5				
1	Mullion – Prefoam	-	2A1288G02	1	1	1	1	1				
2	Pilaster – Mullion	SS	2A0205-01	2	2	-						
			2A0205-02			2	2	-				
			2A3246-01						2			
2a	Truss Head Screw	4x20, SS	7C32-0420	6	6	6	-					
		5x10, SS	7C32-0510				6	6				
3	Insert – Threaded	PS	4A0407-01	6	6	6	6	6				
4	Bulb – Light	40A15	4A0437-01	1	-							
		A-15	4A2420-01		1	1	1	1				
5	Shield – Light	#2778-1010-3000	4A0465-01	1	1	1	1	1				
5a	Cheese Head Screw	5x12, SS	7C52-0512	2	2	2	2	2				
6	Insert – Threaded (Wide)	PS	4A0839-01	Non-interchangeable part change. If light socket is not operating for these codes, Hoshizaki recommends replacement with HS-3554 (below).			2	2				
6a	Washer	8, SS	7W22-0800				-					
7	Lampholder	L20-X006	4A2862-01				1	1				
8	Plate – Strike (Front)		4A0355-02					1				
8a	Truss Head Screw	4x8, SS	7C32-0408					1				
9	Plate – Strike (Base)		4A0354-01					1				
9a	T2 Screw	4x8, SS	7P32-0408					2				

HS-3554-Lampholder Conversion Kit												
Index No.	Description	Material or Model Number	Part Number	Required Number								
				M-5 and earlier								
HS1	Plate – Lampholder Mount	SS	4A2880-01	1								
HS1a	Cheese Head Screw	SS	7C52-0512	2								
HS2	Lampholder		4A2862-01	1								
HS2a	Terminal – Flag	DNFR18-250FIBK	8101-18FJ	2								

N. Panel-Front Hinged Assembly

RH2-SSB-GD

L-5, M-5, N-6, P-5, Q-5



Title: N. Panel-Front Hinged Assembly Model: RH2-SSB-GD					Required Number								
Index No.	Description	Material or Model Number	Part Number	L-5 to Q-5									
1	Hinge – Front Panel (L)	GS	4A2153-01	1									
2	Hinge – Front Panel (R)	GS	4A2154-01	1									
3	Channel – Hinge	GS	4A2170-01	2									
3a	Truss Head Screw	5x8, SS	7C32-0508	4									
4	Panel – Front	SS	1A0624-02	1									

P. Literature and Packaging
RH2-SSB-GD
 K-0, L-5, M-5, N-6, P-5, Q-5

Title: P. Literature and Packaging Model: RH2-SSB-GD												
Index No.	Description	Material or Model Number	Part Number	Required Number								
				K-0 to P-5	Q-5							
1	Instruction Manual	Paper	91A34010M	1	1							
Packaging (Available only for models currently in production)			1A0766A05	1	1							
1	Pallet	-	3A1815-01	1	1							
2	Hex Head Bolt	5/8-11 UNC 2 in.	7B01I5825	4	4							
3	Flat Washer	5/8 USS	7W21I5800	4	4							
4	Stop – Door	-	4A1873-01	2	2							
5	Filler – Door	-	4A2977-01	2	2							
6	Stabilizer – Door	-	4A2171-01	2	2							
7	Protector – Handle	-	3A2597-01	2	2							
8	Post – Corner	-	3A2603-01	4	4							
9	Support – Corner	-	3A2596-01	4	4							
10	Protector – Front	-	3A2595-01	1	1							
11	Pan		4A2081-01	1	-							
			4A3419G01		1							
12	T2 Screws	4x8, SS	7P32-0408	4	4							
13	Bracket (A) Overflow Pan		4A0878-01	1	1							
14	Bracket (B) Overflow Pan		4A0879-01	1	1							
15	Cap – Folding		3A2604-02	1	1							
16	Pad – Corner		3A2598-01	4	4							