



13ADN

Parts List
30-September-2017



*This parts list is current as of the above revision date.
See <http://www.rheempartslists.net/92-42805-13ADN.pdf> for the current revision.*

Condensing Units

Table of Contents

Model Explanation	Page 3
Parts Numbers	
Panels - Miscellaneous (Granite-Steel Gray)	Page 4
Panels - Miscellaneous (Neutra Green)	Page 5
Electrical-Fan Group	Page 6
Coil Parts	Page 6
Compressor Group	Page 7
Accessories	Page 8
Drawings/Photographs	
Exploded View	Page 9
Control Box	Page 10
Valve Mounting Detail	Page 11
Notes/Disclaimer	Page 12

MODEL NUMBER EXPLANATION

1	3	A	D	N	1	8	A	0	1
1		2	3	4	5		6		7

- | | |
|---|---|
| <p>(1) SEER
13 = SEER Rating</p> <p>(2) MODEL
A = Air Conditioner</p> <p>(3) VOLTAGE
J = 208-230/1/60
C = 208-230/3/60
D = 460/3/60
Y = 575/3/60</p> <p>(4) DESIGN SERIES</p> | <p>(5) COOLING CAPACITY (BTU/HR)
018= 18,000
024= 24,000
030= 30,000
036= 36,000
042= 42,000
048= 48,000
060= 60,000</p> <p>(6) CABINET
A = Full Metal Jacket</p> <p>(7) NAMEPLATE</p> |
|---|---|

SERIAL NUMBER EXPLANATION

8	0	3	0	W	0	7	0	9	9	9	9	9	9
	1			2		3	4				5		

- (1) COMPRESSOR IDENTIFICATION NUMBER
- (2) PRODUCTION LOCATION
- (3) WEEK OF PRODUCTION
- (4) YEAR OF PRODUCTION
- (5) PRODUCTION NUMBER

No.	Notes	MODEL COOLING CAPACITY VARIATION	13ADN 36 A01	13ADN 42 A01	13ADN 48 A01	13ADN 60 A01
SHEET METAL PARTS, MISCELLANEOUS (Granite/Steel Gray, After Date Code 4811)						
1		Cabinet	AE-100726-82	AE-100726-82	AE-100726-83	AE-100726-84
2		Cabinet Panel	AE-100727-82	AE-100727-82	AE-100727-83	AE-100727-89
3		Base Pan	AE-100069-02	AE-100069-02	AE-101588-03	AE-101588-03
4		Control Box	AE-100654-81	AE-100654-81	AE-100654-81	AE-100654-83
5		Control Box Cover	AE-100657-81	AE-100657-81	AE-100657-81	AE-100657-81
6		Top Panel	AE-100652-82	AE-100652-82	AE-100652-83	AE-100652-83
8		Grille	95-102925-03	95-103944-01	95-102925-04	95-102925-04
		Center Cap - Blank (for Grille)	91-101123-09	91-101123-09	91-101123-09	91-101123-09
12		Valve Mounting Panel	AE-57780-01	AE-57780-01	AE-57780-01	AE-100185-81
14		Service Valve - Suction	See Coil Group			
15		Service Valve - Liquid	See Coil Group			
17		Low Voltage Cover	AE-57756-01	AE-57756-01	AE-57756-01	AE-57756-01
		Touch-up Paint - Granite/Steel Gray (Aerosol)	PD523018	PD523018	PD523018	PD523018
		Touch-up Paint - Granite/Steel Gray (Paint Pens)	PD523019	PD523019	PD523019	PD523019

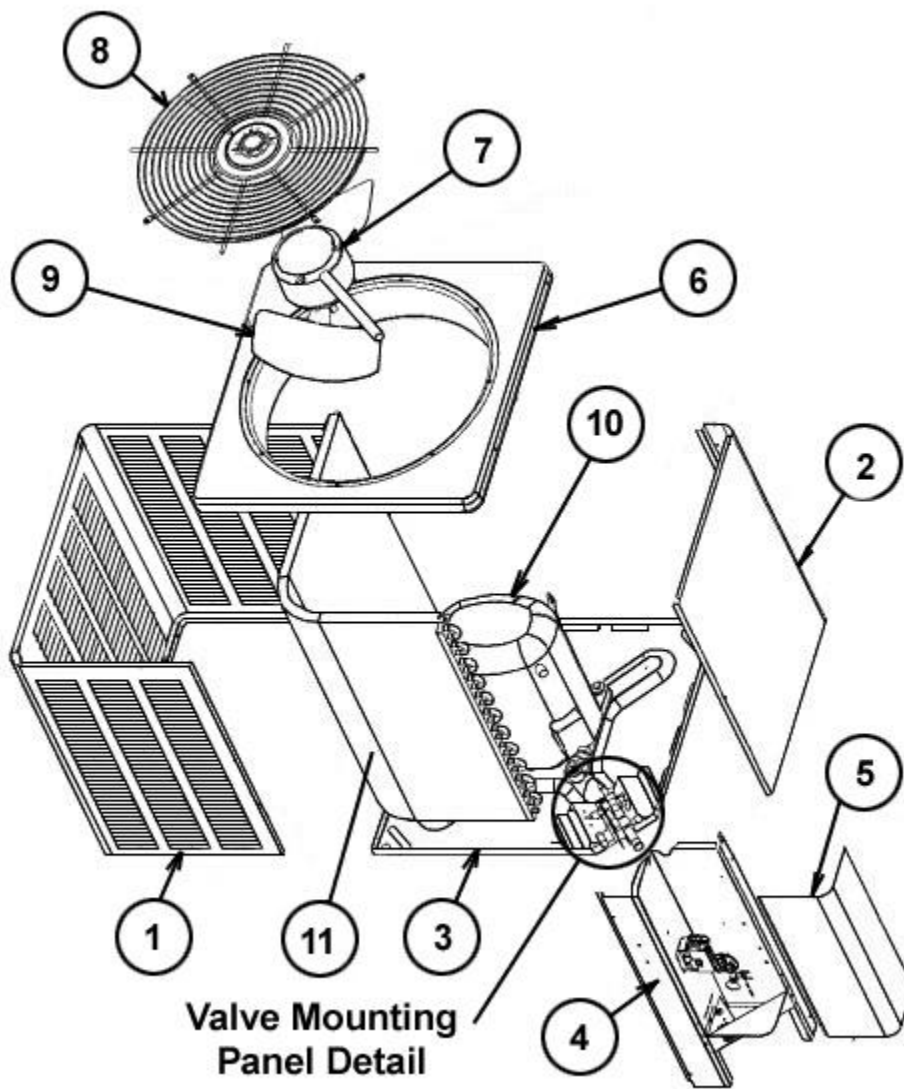
No.	Notes	MODEL COOLING CAPACITY VARIATION	13ADN 36 A01	13ADN 42 A01	13ADN 48 A01	13ADN 60 A01
SHEET METAL PARTS, MISCELLANEOUS (Neutra Green, Before Date Code 4811)						
1		Cabinet	AE-100726-52	AE-100726-52	AE-100726-53	AE-100726-54
2		Cabinet Panel	AE-100727-52	AE-100727-52	AE-100727-53	AE-100727-59
3		Base Pan	AE-100069-02	AE-100069-02	AE-101588-03	AE-101588-03
4		Control Box	AE-100654-51	AE-100654-51	AE-100654-51	AE-100654-53
5		Control Box Cover	AE-100657-51	AE-100657-51	AE-100657-51	AE-100657-51
6		Top Panel	AE-100652-52	AE-100652-52	AE-100652-53	AE-100652-53
8		Grille	95-100906-03	95-103944-01	95-100906-04	95-100906-04
		Center Cap - Blank (for Grille)	91-101123-09	91-101123-09	91-101123-09	91-101123-09
12		Valve Mounting Panel	AE-57780-01	AE-57780-01	AE-57780-01	AE-100185-51
14		Service Valve - Suction	See Coil Group			
15		Service Valve - Liquid	See Coil Group			
17		Low Voltage Cover	AE-57756-01	AE-57756-01	AE-57756-01	AE-57756-01
		Touch-up Paint - Neutra Green (Aerosol)	52-18662-48	52-18662-48	52-18662-48	52-18662-48
		Touch-up Paint - Neutra Green (Paint Pens)	523010	523010	523010	523010

No.	Notes	MODEL COOLING CAPACITY VARIATION	13ADN 36 A01	13ADN 42 A01	13ADN 48 A01	13ADN 60 A01
ELECTRICAL/FAN GROUP						
7	Stk	Fan Motor	51-101774-06	51-102008-05	51-102008-05	51-102008-05
9	Stk	Fan Blade	70-102011-16	70-101323-19	70-102011-10	70-102011-10
16	Stk	Contactora	42-102664-08	42-102664-08	42-102664-08	42-102664-14
17		Low Voltage Cover	See Panels - Miscellaneous			
18		Control Box Bottom	AE-100655-01	AE-100655-01	AE-100655-01	AE-100655-01
19		Capacitor - Fan	See Compressor Group			

No.	Notes	MODEL COOLING CAPACITY VARIATION	13ADN 36 A01	13ADN 42 A01	13ADN 48 A01	13ADN 60 A01
COIL GROUP						
11	Stk	Condenser Coil	AS-103941-03	AS-101599-03	AS-104069-03	AS-103942-03
13		Valve Mounting Bracket	AE-57781-01	AE-57781-02	AE-57781-02	AE-57781-02
14		Service Valve - Suction	61-21368-07	61-21368-08	61-21368-08	61-21368-08
15		Service Valve - Liquid	61-21368-05	61-21368-05	61-21368-05	61-21368-05
		Filter Drier	83-22755-12	83-22755-12	83-22755-12	83-22755-12

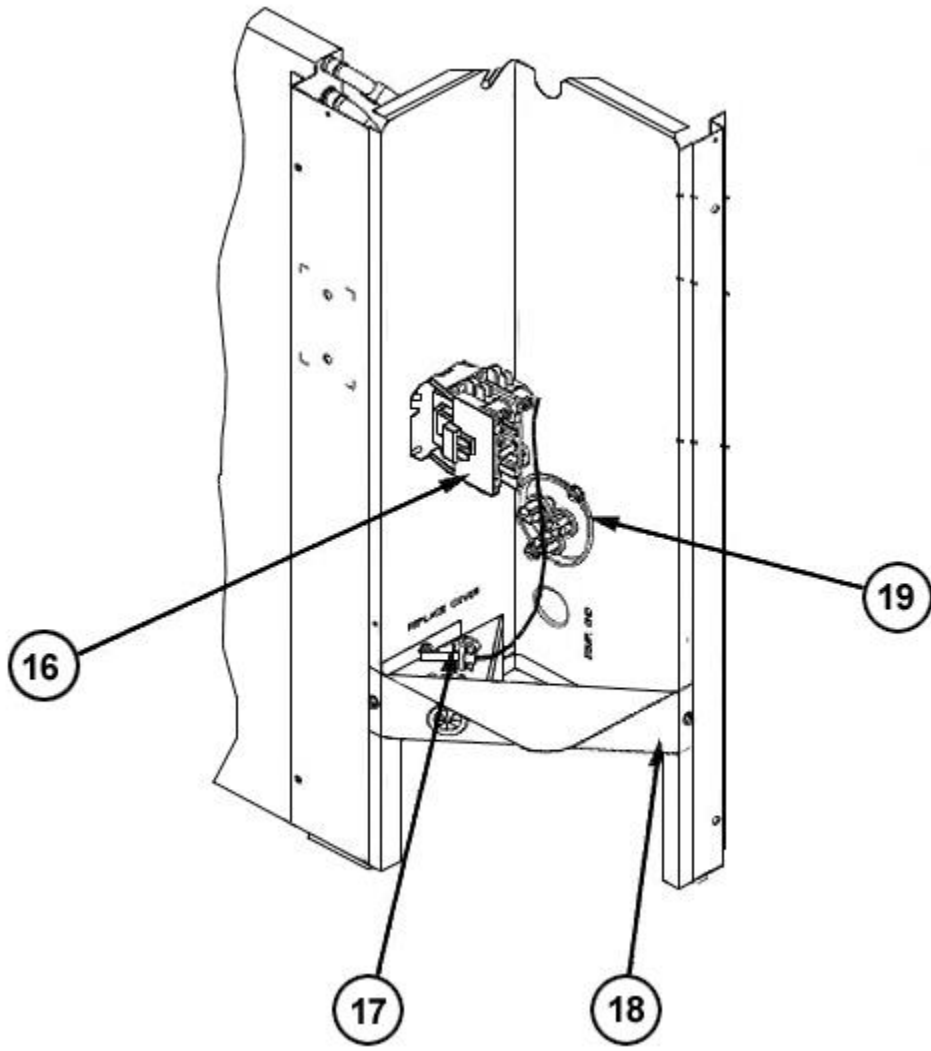
No.	Notes	MODEL COOLING CAPACITY VARIATION	13ADN 36 A01	13ADN 42 A01	13ADN 48 A01	13ADN 60 A01
COMPRESSOR GROUP						
		Compressor ID:	8397	8399	8401	8404
10	Stk	Compressor	55-102045-04S	55-102045-18S	55-102045-10S	55-102045-28S
19	Stk	Capacitor - Fan	43-101666-59	43-101666-59	43-101666-59	43-101666-59
		Compressor Wiring Harness (Molded Plug)	45-100834-80	45-100834-80	45-100834-80	45-100834-80

No.	Notes	MODEL COOLING CAPACITY VARIATION	13ADN ALL ALL
ACCESORIES			
		Low Ambient Control	RXAD-A08
		Compressor Time Delay Control	RXMD-B01
		High Pressure Control	RXAB-A07
		Low Pressure Control	RXAC-A07

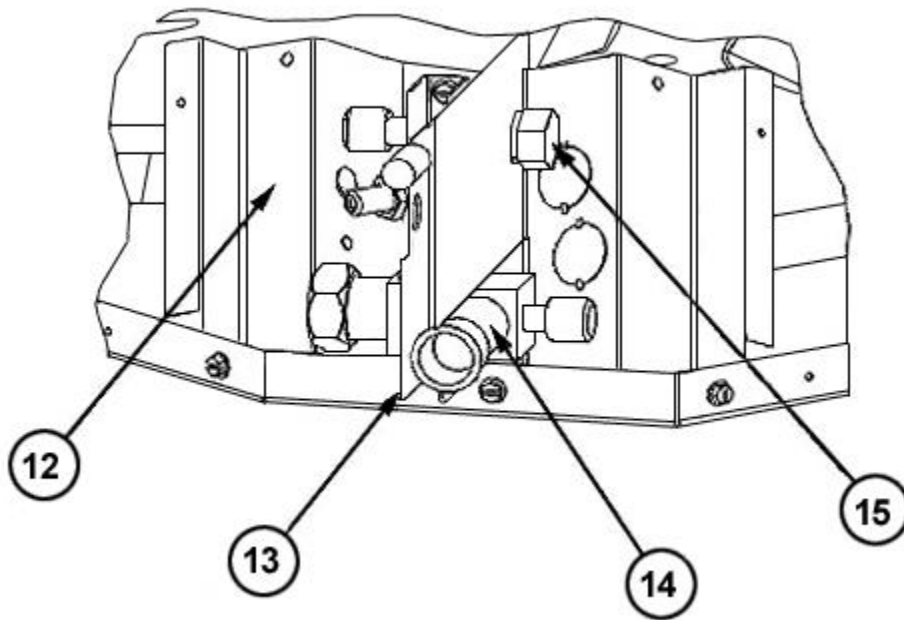


**Valve Mounting
Panel Detail**

Exploded View



Control Box



Valve Mounting Detail

NOTES

Stk It is recommended that stock be maintained for this part.
N/A Not Applicable

DISCLAIMER: This document is intended to provide general replacement parts information to aid qualified service personnel in the repair of these models. The complete Model and Serial Number of the unit under repair should be specified when selecting and ordering replacement parts. Specifications and illustrations are subject to change without notice. Document 92-42805-13ADN supersedes all previous parts lists for these models. See <http://www.rheempartslists.net/92-42805-13ADN> for the latest revision of this document. The manufacturer assumes no obligation for errors or omissions. Service personnel must verify the proper and safe operation of equipment after the replacement of any original components.