



RA16

Parts List
04-March-2021



*This parts list is current as of the above revision date.
See <http://www.rheempartslists.net/92-42800-RA16.pdf> for the current revision.*

Condensing Units

Table of Contents

Model Explanation	Page 3
Parts Numbers	
Panels - Miscellaneous (1)	Page 4
Panels - Miscellaneous (2)	Page 5
Electrical-Fan Group (1)	Page 6
Electrical-Fan Group (2)	Page 7
Coil Parts	Page 8
Compressor Group	Page 9
Accessories	Page 10
Drawings/Photographs	
Exploded View	Page 11
Control Box (1)	Page 12
Control Box (2)	Page 12
Valve Mounting, Compressor	Page 13
Notes/Disclaimer	Page 14

MODEL NUMBER EXPLANATION

R	A	1	6	1	8	A	J	1	N	A
1	2	3		4		5	6	7	8	9

- | | |
|---|--|
| <p>(1) Brand</p> <p>(2) Product Category
A = Air Conditioner</p> <p>(3) Seer
16 = 16 SEER</p> <p>(4) COOLING CAPACITY (BTU/HR)
018 = 18,000
024 = 24,000
030 = 30,000
036 = 36,000
042 = 42,000
048 = 48,000
060 = 60,000</p> | <p>(5) MAJOR SERIES
A = First Design Series
B = Second Major Design Series</p> <p>(6) VOLTAGE
J = 208-230/1/60
C = 208-230/3/60
D = 460/3/60
Y = 575/3/60</p> <p>(7) TYPE
1 = Single Stage</p> <p>(8) CONTROLS
N = Non-Communicating</p> <p>(9) MINOR SERIES
A = First Design Series
B = Second Design Series (LPC/HPC)</p> |
|---|--|

SERIAL NUMBER EXPLANATION

W	0	8	1	3	9	9	9	9
(1)	(2)		(3)		(4)			

- (1) **PLANT CODE**
W = West Nuevo Laredo
- (2) **WEEK OF PRODUCTION**
- (3) **YEAR OF PRODUCTION**
- (4) **PRODUCTION NUMBER**

Note: For Compressor Identification Number, see Compressor Code on Rating Plate

No.	Notes	MODEL COOLING CAPACITY VARIATION	RA16 18 AJ1NA/B	RA16 24 AJ1NA/B	RA16 30 AJ1NA/B	RA16 36 AC1NB	RA16 36 AJ1NA/B	RA16 42 AC1NB	
SHEET METAL PARTS, MISCELLANEOUS									
1		Front Panel	AE-104456-01	AE-104456-03	AE-104456-05	AE-104456-35	AE-104456-35	AE-104456-43	
2		Left Panel (Badge Panel)	AE-104456-12	AE-104456-21	AE-104456-34	AE-104456-37	AE-104456-37	AE-104456-56	
3		Back Panel	AE-104456-02	AE-104456-04	AE-104456-63	AE-104456-36	AE-104456-36	AE-104456-44	
4		Right Panel	AE-104456-01	AE-104456-03	AE-104456-05	AE-104456-35	AE-104456-35	AE-104456-43	
5		Base Pan	68-104457-01	68-104457-02	68-104457-03	68-104457-03	68-104457-03	68-104457-03	
6		Control Box - Before W1017	AE-104461-01	AE-104461-01	AE-104461-01	AE-104461-01	AE-104461-01	AE-104461-01	
6		Control Box - On or After W1017	AE-104461-05	AE-104461-05	AE-104461-05	AE-104461-05	AE-104461-05	AE-104461-05	
7		Control Box Cover	AS-104462-01H	AS-104462-01H	AS-104462-01H	AS-104462-01H	AS-104462-01H	AS-104462-01H	
8		Control Box Bracket	AS-104460-02H	AS-104460-02H	AS-104460-02H	AS-104460-03H	AS-104460-03H	AS-104460-05H	
9		Service Door	AS-104525-01H	AS-104525-01H	AS-104525-01H	AS-104525-01H	AS-104525-01H	AS-104525-01H	
10		Center Post (2)	AS-104459-03H	AS-104459-03H	AS-104459-03H	AS-104459-05H	AS-104459-05H	AS-104459-09H	
12		Corner Post - Louvered (3)	AS-104469-02H (3)	AS-104469-02H (3)	AS-104469-02H (3)	AS-104469-03H (3)	AS-104469-03H (3)	AS-104469-05H (3)	
13		Top Panel	AS-104458-01H	AS-104458-02H	AS-104458-03H	AS-104458-03H	AS-104458-03H	AS-104458-03H	
14		Venturi	68-104464-02	68-104464-04	68-104464-07	68-104464-07	68-104464-07	68-104464-07	
15		Grille	95-104620-01	95-104620-02	95-104620-03	95-104620-03	95-104620-03	95-104620-03	
		Center Cap - Blank (for Grille)	91-101123-00	91-101123-00	91-101123-00	91-101123-00	91-101123-00	91-101123-00	
		Service Valve - Suction	See Coil Group						
		Service Valve - Liquid	See Coil Group						
		Touch-up Paint - Granite/Steel Gray (Aerosol)	PD523018	PD523018	PD523018	PD523018	PD523018	PD523018	
		Touch-up Paint - Granite/Steel Gray (Paint Pens)	PD523019	PD523019	PD523019	PD523019	PD523019	PD523019	

No.	Notes	MODEL COOLING CAPACITY VARIATION	RA16 36 BJ1NA/B	RA16 36 BC1NB					
SHEET METAL PARTS, MISCELLANEOUS									
1		Front Panel	AE-104456-22	AE-104456-22					
2		Left Panel (Badge Panel)	AE-104456-24	AE-104456-24					
3		Back Panel	AE-104456-23	AE-104456-23					
4		Right Panel	AE-104456-22	AE-104456-22					
5		Base Pan	68-104457-02	68-104457-02					
6		Control Box - Before W1017	AE-104461-01	AE-104461-01					
6		Control Box - On or After W1017	AE-104461-05	AE-104461-05					
7		Control Box Cover	AS-104462-01H	AS-104462-01H					
8		Control Box Bracket	AS-104460-03H	AS-104460-03H					
9		Service Door	AS-104525-01H	AS-104525-01H					
10		Center Post (2)	AS-104459-05H	AS-104459-05H					
12		Corner Post - Louvered (3)	AS-104469-03H (3)	AS-104469-03H (3)					
13		Top Panel	AS-104458-02H	AS-104458-02H					
14		Venturi	68-104464-04	68-104464-04					
15		Grille	95-104620-02	95-104620-02					
		Center Cap - Blank (for Grille)	91-101123-00	91-101123-00					
		Service Valve - Suction	See Coil Group						
		Service Valve - Liquid	See Coil Group						
		Touch-up Paint - Granite/Steel Gray (Aerosol)	PD523018	PD523018					
		Touch-up Paint - Granite/Steel Gray (Paint Pens)	PD523019	PD523019					

No.	Notes	MODEL COOLING CAPACITY VARIATION	RA16 42 AJ1NA/B	RA16 48 AC1NB	RA16 48 AJ1NA/B	RA16 60 AC1NB	RA16 60 AJ1NA/B		
SHEET METAL PARTS, MISCELLANEOUS									
1		Front Panel	AE-104456-43	AE-104456-46	AE-104456-46	AE-104456-49	AE-104456-49		
2		Left Panel (Badge Panel)	AE-104456-56	AE-104456-57	AE-104456-57	AE-104456-58	AE-104456-58		
3		Back Panel	AE-104456-44	AE-104456-47	AE-104456-47	AE-104456-50	AE-104456-50		
4		Right Panel	AE-104456-43	AE-104456-46	AE-104456-46	AE-104456-49	AE-104456-49		
5		Base Pan	68-104457-03	68-104457-03	68-104457-03	68-104457-03	68-104457-03		
6		Control Box - Before W1017	AE-104461-01	AE-104461-01	AE-104461-01	AE-104461-01	AE-104461-01		
6		Control Box - On or After W1017	AE-104461-05	AE-104461-05	AE-104461-05	AE-104461-05	AE-104461-05		
7		Control Box Cover	AS-104462-01H	AS-104462-01H	AS-104462-01H	AS-104462-01H	AS-104462-01H		
8		Control Box Bracket	AS-104460-05H	AS-104460-06H	AS-104460-06H	AS-104460-11H	AS-104460-11H		
9		Service Door	AS-104525-01H	AS-104525-01H	AS-104525-01H	AS-104525-01H	AS-104525-01H		
10		Center Post (2)	AS-104459-09H	AS-104459-11H	AS-104459-11H	AS-104459-13H	AS-104459-13H		
12		Corner Post - Louvered (3)	AS-104469-05H (3)	AS-104469-06H (3)	AS-104469-06H (3)	AS-104469-07H (3)	AS-104469-07H (3)		
13		Top Panel	AS-104458-03H	AS-104458-03H	AS-104458-03H	AS-104458-03H	AS-104458-03H		
14		Venturi	68-104464-07	68-104464-07	68-104464-07	68-104464-07	68-104464-07		
15		Grille	95-104620-03	95-104620-03	95-104620-03	95-104620-03	95-104620-03		
		Center Cap - Blank (for Grille)	91-101123-00	91-101123-00	91-101123-00	91-101123-00	91-101123-00		
		Service Valve - Suction	See Coil Group						
		Service Valve - Liquid	See Coil Group						
		Touch-up Paint - Granite/Steel Gray (Aerosol)	PD523018	PD523018	PD523018	PD523018	PD523018		
		Touch-up Paint - Granite/Steel Gray (Paint Pens)	PD523019	PD523019	PD523019	PD523019	PD523019		

No.	Notes	MODEL COOLING CAPACITY VARIATION	RA16 18 AJ1NA/B	RA16 24 AJ1NA/B	RA16 30 AJ1NA/B	RA16 36 AC1NB	RA16 36 AJ1NA/B	RA16 42 AC1NB
ELECTRICAL/FAN GROUP								
20	Stk	Fan Motor - Before W1017	51-102008-18	51-101774-02	51-102870-01	51-102728-21	51-102728-21	51-102728-20
20	Stk	Fan Motor - On or After W1017	51-102008-18	51-101774-52	51-102870-08	51-102728-21	51-102728-21	51-102728-20
21	Stk	Fan Blade	70-101323-36	70-102011-09	70-101323-39	70-101323-40	70-101323-40	70-101323-28
22	Stk	Contactora	42-102664-05	42-102664-05	42-102664-05	42-102664-14	42-102664-05	42-102664-14
23		Capacitor	See Compressor Group					
23a		Capacitor Strap	AE-104562-01	AE-104562-01	AE-104562-01	N/A	AE-104562-01	N/A
25		Crankcase Heater	See Compressor Group					
26		Grounding Lug	45-19000-01	45-19000-01	45-19000-01	45-19000-01	45-19000-01	45-19000-01
		Low Ambient Control	See Accessories Group					
27	Stk	Low Pressure Control (Design Series 'B')	47-103670-08	47-103670-08	47-103670-08	47-103670-08	47-103670-08	47-103670-08
27a		Valve Body - Low Pressure Control	61-18542-01	61-18542-01	61-18542-01	61-18542-01	61-18542-01	61-18542-01
28	Stk	High Pressure Control (Design Series 'B')	47-102290-01	47-102290-01	47-102290-01	47-102290-01	47-102290-01	47-102290-01

No.	Notes	MODEL COOLING CAPACITY VARIATION	RA16 36 BJ1NA/B	RA16 36 BC1NB				
ELECTRICAL/FAN GROUP								
20	Stk	Fan Motor - Before W1017	51-102008-20	51-102008-20				
20	Stk	Fan Motor - On or After W1017	51-101774-52	51-101774-52				
21	Stk	Fan Blade	70-102011-12	70-102011-12				
22	Stk	Contactora	42-102664-05	42-102664-14				
23		Capacitor	See Compressor Group					
23a		Capacitor Strap	AE-104562-01	AE-104562-01				
25		Crankcase Heater	See Compressor Group					
26		Grounding Lug	45-19000-01	45-19000-01				
		Low Ambient Control	See Accessories Group					
27	Stk	Low Pressure Control (Design Series 'B')	47-103670-08	47-103670-08				
27a		Valve Body - Low Pressure Control	61-18542-01	61-18542-01				
28	Stk	High Pressure Control (Design Series 'B')	47-102290-01	47-102290-01				

No.	Notes	MODEL COOLING CAPACITY VARIATION	RA16 42 AJ1NA/B	RA16 48 AC1NB	RA16 48 AJ1NA/B	RA16 60 AC1NB	RA16 60 AJ1NA/B		
ELECTRICAL/FAN GROUP									
20	Stk	Fan Motor	51-102728-20	51-102728-20	51-102728-20	51-102728-19	51-102728-19		
21	Stk	Fan Blade	70-101323-28	70-101323-29	70-101323-29	70-101323-29	70-101323-29		
22	Stk	Contactora	42-102664-05	42-102664-14	42-102664-10	42-102664-14	42-102664-10		
23		Capacitor	See Compressor Group						
23a		Capacitor Strap	AE-104562-01	AE-104562-01	AE-104562-01	AE-104562-01	AE-104562-01		
25		Crankcase Heater	See Compressor Group						
26		Grounding Lug	45-19000-01	45-19000-01	45-19000-01	45-19000-01	45-19000-01		
		Low Ambient Control	See Accessories Group						
27	Stk	Low Pressure Control (Design Series 'B')	47-103670-08	47-103670-08	47-103670-08	47-103670-08	47-103670-08		
27a		Valve Body - Low Pressure Control	61-18542-01	61-18542-01	61-18542-01	61-18542-01	61-18542-01		
28	Stk	High Pressure Control (Design Series 'B')	47-102290-01	47-102290-01	47-102290-01	47-102290-01	47-102290-01		

No.	Notes	MODEL COOLING CAPACITY VARIATION	RA16 18 AJ1NA/B	RA16 24 AJ1NA/B	RA16 30 AJ1NA/B	RA16 36 AC1NB	RA16 36 AJ1NA/B	RA16 42 AC1NB	
COIL GROUP									
30	Stk	Condenser Coil	AS-105339-03	AS-105364-03	AS-104917-03	AS-105365-03	AS-105365-03	AS-105370-03	
31		Service Valve - Suction	61-104914-03	61-104914-03	61-104914-03	61-104914-03	61-104914-03	61-104914-04	
32		Service Valve - Liquid	61-104914-01	61-104914-01	61-104914-01	61-104914-01	61-104914-01	61-104914-01	
33a		Valve Core	61-18551-01	61-18551-01	61-18551-01	61-18551-01	61-18551-01	61-18551-01	
33b		Valve Cap	83-100635-01	83-100635-01	83-100635-01	83-100635-01	83-100635-01	83-100635-01	
27	Stk	Low Pressure Control	See Electrical Group						
28	Stk	High Pressure Control	See Electrical Group						
	Stk	Filter Drier	83-22755-12	83-22755-12	83-22755-12	83-22755-12	83-22755-12	83-22755-12	

No.	Notes	MODEL COOLING CAPACITY VARIATION	RA16 36 BJ1NA/B	RA16 36 BC1NB					
COIL GROUP									
30	Stk	Condenser Coil	AS-105512-03	AS-105512-03					
31		Service Valve - Suction	61-104914-03	61-104914-03					
32		Service Valve - Liquid	61-104914-01	61-104914-01					
33a		Valve Core	61-18551-01	61-18551-01					
33b		Valve Cap	83-100635-01	83-100635-01					
27	Stk	Low Pressure Control	See Electrical Group						
28	Stk	High Pressure Control	See Electrical Group						
	Stk	Filter Drier	83-22755-12	83-22755-12					

No.	Notes	MODEL COOLING CAPACITY VARIATION	RA16 42 AJ1NA/B	RA16 48 AC1NB	RA16 48 AJ1NA/B	RA16 60 AC1NB	RA16 60 AJ1NA/B		
COIL GROUP									
30	Stk	Condenser Coil	AS-105370-03	AS-105371-03	AS-105371-03	AS-105373-03	AS-105373-03		
31		Service Valve - Suction	61-104914-04	61-104914-04	61-104914-04	61-104914-04	61-104914-04		
32		Service Valve - Liquid	61-104914-01	61-104914-01	61-104914-01	61-104914-01	61-104914-01		
33a		Valve Core	61-18551-01	61-18551-01	61-18551-01	61-18551-01	61-18551-01		
33b		Valve Cap	83-100635-01	83-100635-01	83-100635-01	83-100635-01	83-100635-01		
27	Stk	Low Pressure Control	See Electrical Group						
28	Stk	High Pressure Control	See Electrical Group						
	Stk	Filter Drier	83-22755-12	83-22755-12	83-22755-12	83-22755-12	83-22755-12		

No.	Notes	MODEL COOLING CAPACITY VARIATION	RA16 18 AJ1NA/B	RA16 24 AJ1NA/B	RA16 30 AJ1NA/B	RA16 36 AC1NB	RA16 36 AJ1NA/B	RA16 42 AC1NB
COMPRESSOR GROUP								
		Compressor ID:	9059	9060	9061	9066	9062	9067
40	Stk	Compressor	55-102045-122S	55-102045-104S	55-102045-143S	55-102045-138S	55-102045-103S	55-102045-145S
		Compressor Grommet (4)	56-18518-04	56-18518-04	56-18518-04	56-18518-04	56-18518-04	56-18518-06
		Compressor Bolt (4)	63-20072-07	63-20072-07	63-20072-07	63-20072-07	63-20072-07	63-20072-07
23	Stk	Capacitor - Compressor/Fan	43-101665-60	43-101665-10	N/A	N/A	N/A	N/A
23	Stk	Capacitor - Compressor	N/A	N/A	43-101666-25	N/A	43-101666-68	N/A
	Stk	Compressor Wiring Harness (Molded Plug)	45-100834-80	45-100834-80	45-100834-80	45-100834-80	45-100834-80	45-100834-80
25		Crankcase Heater	See Accessories					
		Filter Drier	See Coil Group					

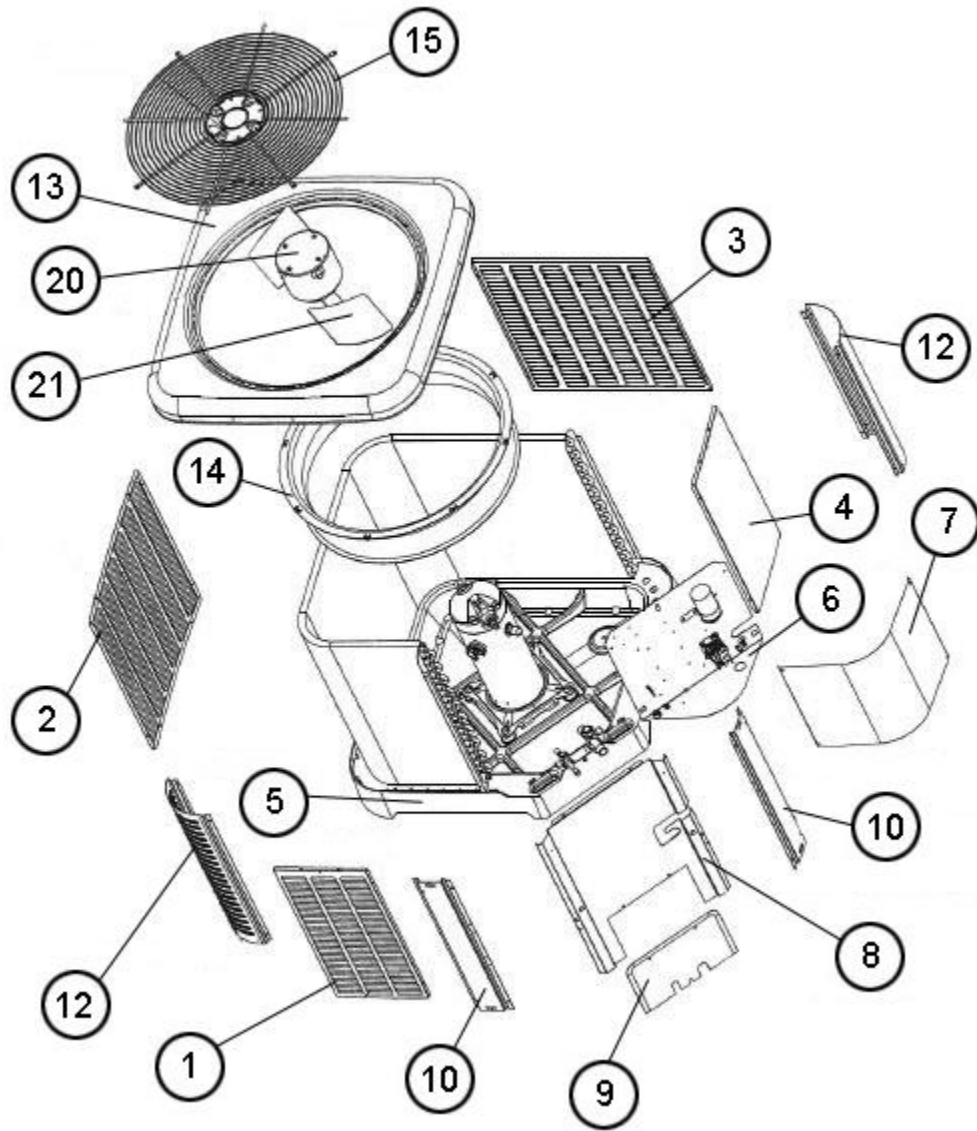
No.	Notes	MODEL COOLING CAPACITY VARIATION	RA16 36 BJ1NA/B	RA16 36 BC1NB				
COMPRESSOR GROUP								
		Compressor ID:	9090/9143	9091/9144				
40	Stk	Compressor	55-102045-103S	55-102045-138S				
		Compressor Grommet (4)	56-18518-04	56-18518-04				
		Compressor Bolt (4)	63-20072-07	63-20072-07				
23	Stk	Capacitor - Compressor/Fan	43-101665-13	N/A				
23	Stk	Capacitor - Fan	N/A	43-101666-58				
	Stk	Compressor Wiring Harness (Molded Plug)	45-100834-80	45-100834-80				
25		Crankcase Heater	See Accessories					
		Filter Drier	See Coil Group					

No.	Notes	MODEL COOLING CAPACITY VARIATION	RA16 42 AJ1NA/B	RA16 48 AC1NB	RA16 48 AJ1NA/B	RA16 60 AC1NB	RA16 60 AJ1NA/B	
COMPRESSOR GROUP								
		Compressor ID:	9063	9068	9064	9069	9065	
40	Stk	Compressor	55-102045-144S	55-102045-147S	55-102045-146S	55-102045-130S	55-102045-101S	
		Compressor Grommet (4)	56-18518-06	56-18518-06	56-18518-06	56-18518-06	56-18518-06	
		Compressor Bolt (4)	63-20072-07	63-20072-07	63-20072-07	63-20072-07	63-20072-07	
23	Stk	Capacitor - Compressor	43-101666-68	N/A	43-101666-68	N/A	43-101666-69	
	Stk	Compressor Wiring Harness (Molded Plug)	45-100834-80	45-100834-80	45-100834-80	45-100834-80	45-100834-80	
25		Crankcase Heater	See Accessories			44-103663-13	44-103663-13	
		Filter Drier	See Coil Group					

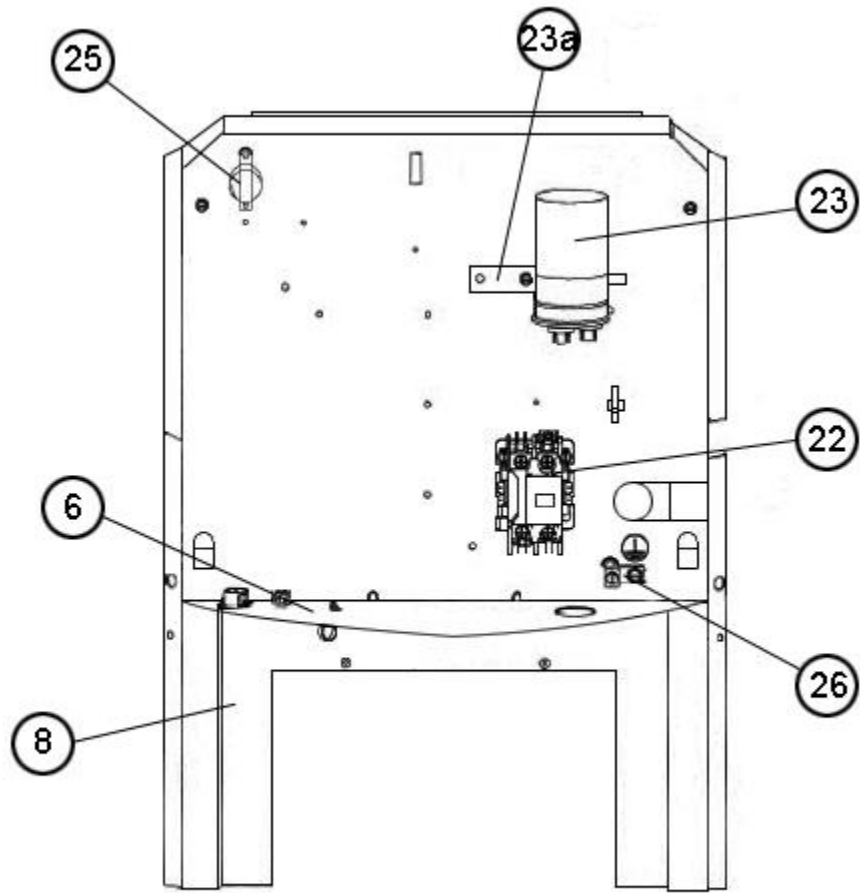
No.	Notes	MODEL COOLING CAPACITY VARIATION	RA16 18 AJ1NA/B	RA16 24 AJ1NA/B	RA16 30 AJ1NA/B	RA16 36 AC1NB	RA16 36 AJ1NA/B	RA16 42 AC1NB
ACCESSORIES								
		Low Ambient Control	RXAD-A08	RXAD-A08	RXAD-A08	RXAD-A08	RXAD-A08	RXAD-A08
		Compressor Crankcase Heater	44-17402-44	44-17402-44	44-17402-44	44-17402-44	44-17402-44	44-17402-45
		Compressor Sound Cover	68-23427-26	68-23427-26	68-23427-26	68-23427-26	68-23427-26	68-23427-25
		Compressor Hard Start Kit	SK-A1	SK-A1	SK-A1	SK-A1	SK-A1	SK-A1
		Low Pressure Control	RXAC-A07	RXAC-A07	RXAC-A07	RXAC-A07	RXAC-A07	RXAC-A07
		High Pressure Control	RXAB-A07	RXAB-A07	RXAB-A07	RXAB-A07	RXAB-A07	RXAB-A07

No.	Notes	MODEL COOLING CAPACITY VARIATION	RA16 36 BJ1NA/B	RA16 36 BC1NB				
ACCESSORIES								
		Low Ambient Control	RXAD-A08	RXAD-A08				
		Compressor Crankcase Heater	44-17402-44	44-17402-44				
		Compressor Sound Cover	68-23427-26	68-23427-26				
		Compressor Hard Start Kit	SK-A1	SK-A1				
		Low Pressure Control	RXAC-A07	RXAC-A07				
		High Pressure Control	RXAB-A07	RXAB-A07				

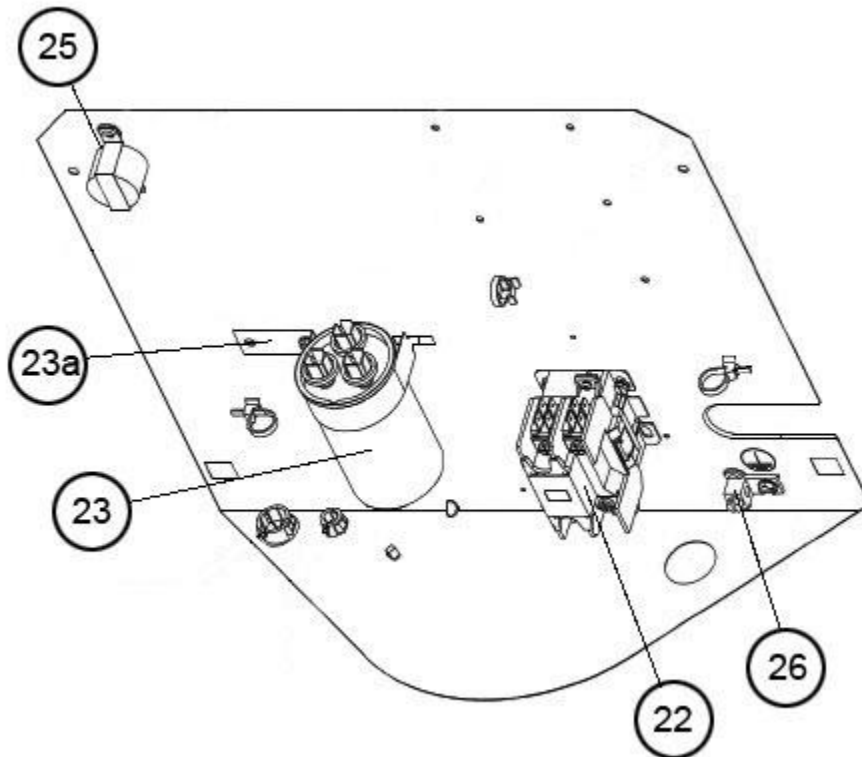
No.	Notes	MODEL COOLING CAPACITY VARIATION	RA16 42 AJ1NA/B	RA16 48 AC1NB	RA16 48 AJ1NA/B	RA16 60 AC1NB	RA16 60 AJ1NA/B	
ACCESSORIES								
		Low Ambient Control	RXAD-A08	RXAD-A08	RXAD-A08	RXAD-A08	RXAD-A08	
		Compressor Crankcase Heater	44-17402-45	44-17402-45	44-17402-45	44-17402-45	44-17402-45	
		Compressor Sound Cover	68-23427-25	68-23427-25	68-23427-25	68-23427-25	68-23427-25	
		Compressor Hard Start Kit	SK-A1	SK-A1	SK-A1	SK-A1	SK-A1	
		Low Pressure Control	RXAC-A07	RXAC-A07	RXAC-A07	RXAC-A07	RXAC-A07	
		High Pressure Control	RXAB-A07	RXAB-A07	RXAB-A07	RXAB-A07	RXAB-A07	



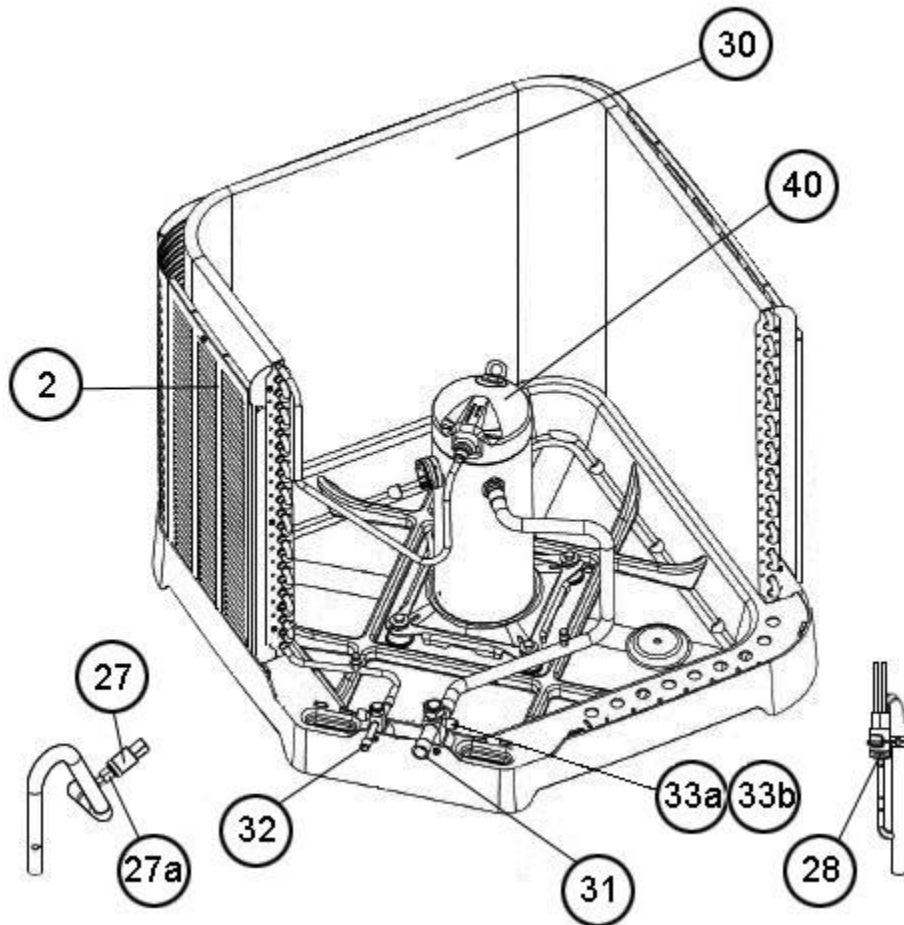
Exploded View



Control Box (1)



Control Box (2)



Valve Mounting, Compressor

NOTES

Stk It is recommended that stock be maintained for this part.
N/A Not Applicable

DISCLAIMER: This document is intended to provide general replacement parts information to aid qualified service personnel in the repair of these models. The complete Model and Serial Number of the unit under repair should be specified when selecting and ordering replacement parts. Specifications and illustrations are subject to change without notice. Document 92-42800-RA16 supersedes all previous parts lists for these models. See <http://www.rheempartslists.net/92-42800-RA16> for the latest revision of this document. The manufacturer assumes no obligation for errors or omissions. Service personnel must verify the proper and safe operation of equipment after the replacement of any original components.