



RHAL

Parts List
03-October-2017



*This parts list is current as of the above revision date.
See <http://www.rheempartslists.net/92-42800-RHAL.pdf> for the current revision.*

Air Handlers

Table of Contents

Model Explanation	Page 3
Panels - Miscellaneous	Page 4
Electrical Group	Page 4
Blower Group.....	Page 4
Coil Parts	Page 5
Heater Kits	Page 5
Drawings/Photographs	
Exploded View 018-024.....	Page 6
Exploded View 030-036.....	Page 7
Blower Assembly	Page 8
Notes/Disclaimer	Page 9

MODEL NUMBER EXPLANATION

R	H	A	L	-	FR	24	P	J	N	03	A
1	2	3	4		5	6	7	8	9	10	11

- | | |
|---|---|
| <p>1 MODEL DESIGNATION</p> <p>2 H = AIR HANDLER</p> <p>3 A = PSC Motor</p> <p>4 L = R-410A REFRIGERANT</p> <p>5 FR = Front Return Cabinet</p> <p>6 CAPACITY
 18 = 18,000 BTU/HR
 24 = 24,000 BTU/HR
 30 = 30,000 BTU/HR
 36 = 36,000 BTU/HR</p> | <p>7 METERING
 P = Piston
 T = TXV</p> <p>8 VOLTAGE
 J = 208-230/1/60</p> <p>9 DISCONNECT CONFIGURATION
 N = None
 B = Breaker</p> <p>10 ELECTRIC HEAT
 00 = No Heat
 03 = 3 kW
 05 = 5 kW
 08 = 8 kW
 10 = 10 kW</p> <p>11 DESIGN VARIATION</p> |
|---|---|

SERIAL NUMBER EXPLANATION

F	0	1	1	0	9	9	9	9	9
1	2		3		4				

- 1 PRODUCTION LOCATION**
 F = Ft. Smith, AR
- 2 WEEK OF PRODUCTION**
- 3 YEAR OF PRODUCTION**
- 4 PRODUCTION NUMBER**

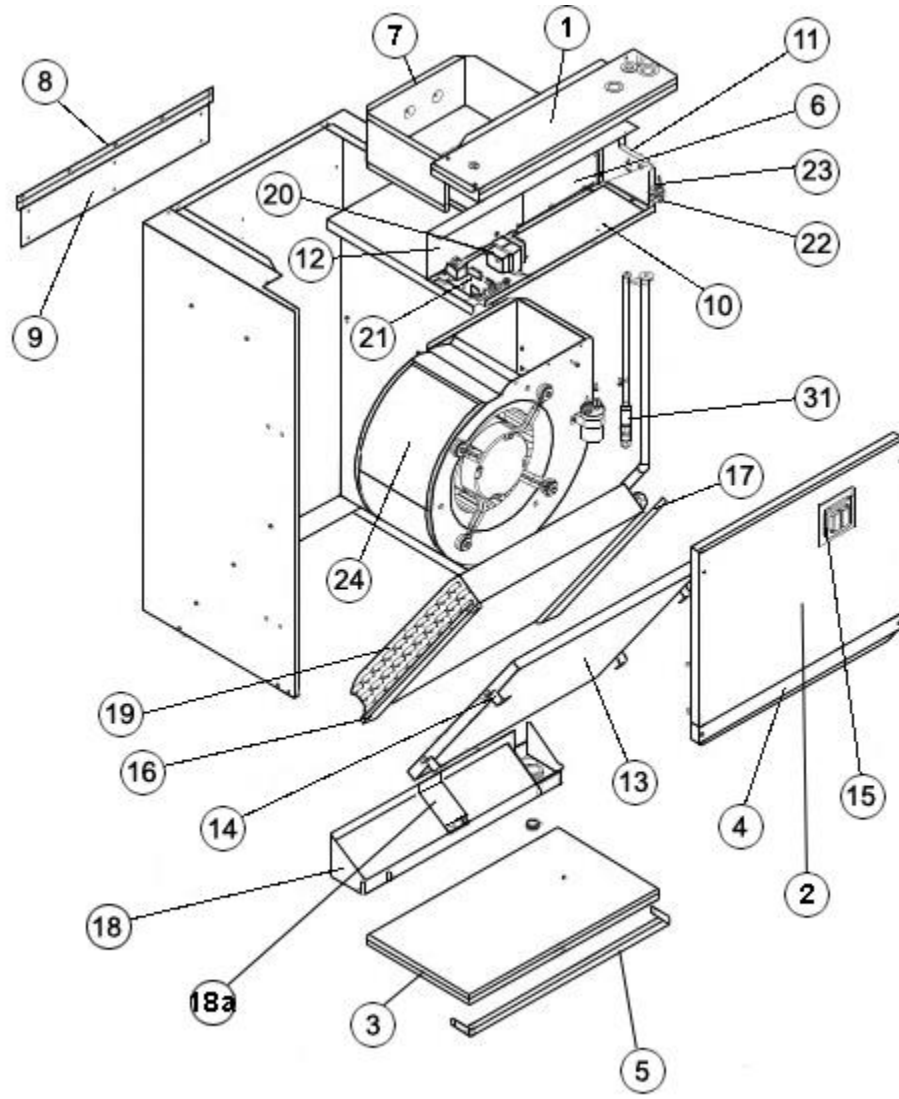
No.	Notes	MODEL CABINET CAPACITY VOLTAGE	RHAL-FR 18 J	RHAL-FR 24 J	RHAL-FR 30 J	RHAL-FR 36 J
PANELS, SHEET METAL, MISCELLANEOUS						
1	1	Top Panel	AE-103095-05	AE-103095-05	AE-103095-03	AE-103095-03
		Insulation - Top Panel	68-103240-09	68-103240-09	68-103240-02	68-103240-02
		Wire Insulation Retainer	45-102868-06	45-102868-06	45-102868-07	45-102868-07
		Bushing - Strain Relief (Routing for Thermostat Wires)	45-17055-19	45-17055-19	45-17055-19	45-17055-19
		Grommet - 3/8 O.D. Tube	56-22521-02	56-22521-02	56-22521-02	56-22521-02
		Grommet - Header Tube	56-22521-05	56-22521-05	56-22521-05	56-22521-05
2	1	Blower Door (Models without Heater Kit)	AE-103093-07	AE-103093-07	AE-103093-08	AE-103093-08
2	1	Blower Door (Models with Heater Kit)	AE-103093-01	AE-103093-01	AE-103093-04	AE-103093-04
		Insulation - Blower Door	68-103240-03	68-103240-03	68-103240-13	68-103240-13
3	1	Bottom Panel	AE-103098-03	AE-103098-03	AE-103098-12	AE-103098-12
		Insulation - Bottom Panel	68-103240-17	68-103240-17	68-103240-05	68-103240-05
4	1	Middle (Front) Brace	AE-103219-01	AE-103219-01	AE-103219-02	AE-103219-02
		Insulation - Middle (Front) Brace	68-103240-07	68-103240-07	68-103240-12	68-103240-12
5		Bottom Brace	AE-103100-01	AE-103100-01	AE-103100-02	AE-103100-02
6		Plate - Block Off (No Heat)	AE-103098-11	AE-103098-11	AE-103098-11	AE-103098-11
7		Barrier - Heater Box	AE-103098-08	AE-103098-08	AE-103098-02	AE-103098-02
8		Mounting Bracket - Cabinet	AE-103105-01	AE-103105-01	AE-103105-01	AE-103105-01
9		Mounting Bracket - Wall	AE-103105-02	AE-103105-02	AE-103105-02	AE-103105-02
10		Blower Shelf	AE-103096-05	AE-103096-05	AE-103096-04	AE-103096-04
		Bushing - Universal Open/Closed (Beside Control Board)	45-103252-02	45-103252-02	45-103252-02	45-103252-02
		Bushing - Strain Relief (Wire Routing from Blower Motor)	45-17055-07	45-17055-07	45-17055-07	45-17055-07
11		Divider Panel - Heater Box	AE-103098-10	AE-103098-10	AE-103098-04	AE-103098-04
12		Front Panel - Heater Box	AE-103098-09	AE-103098-09	AE-103098-13	AE-103098-13
13		Filter	54-17531-04	54-17531-04	54-17531-06	54-17531-06
14		Filter Retainer (4)	AE-103218-01	AE-103218-01	N/A	N/A
14		Filter Rail (2)	N/A	N/A	AE-103218-04	AE-103218-04
15		Cover - Circuit Breaker	68-103316-01	68-103316-01	68-103316-01	68-103316-01
16		Coil Bracket - Left		See Coil Group		
17		Coil Bracket - Right		See Coil Group		
18		Drain Pan		See Coil Group		
19		Coil		See Coil Group		
36		Control Cover	N/A	N/A	AE-103328-01	AE-103328-01

No.	Notes	MODEL CABINET CAPACITY VOLTAGE	RHAL-FR 18 J	RHAL-FR 24 J	RHAL-FR 30 J	RHAL-FR 36 J
ELECTRICAL GROUP						
20	Stk	Transformer	46-101905-01	46-101905-01	46-101905-01	46-101905-01
21	Stk	Control Board	47-100436-05	47-100436-05	47-100436-05	47-100436-05
22		Terminal Block	45-23222-02	45-23222-02	45-23222-02	45-23222-02
23		Grounding Lug	45-19000-01	45-19000-01	45-19000-01	45-19000-01
		Switch - Drain Pan Overflow Protection (Option 417)	42-103356-01	42-103356-01	42-103356-01	42-103356-01
		Wiring Harness - 5 Pin Connector to 5 Stripped Wires (For T-Stat)	45-102645-03	45-102645-03	45-102645-03	45-102645-03
		Wiring Harness - 2 Pin Connector to 2 Stripped Leads (Power Input to Terminal Block)	45-24371-57	45-24371-57	45-24371-57	45-24371-57
		Circuit Breaker		See Heater Kit Parts List		
		Wiring Harness - Circuit Breaker to 2 Pin Connector		See Heater Kit Parts List		
		Wiring Harness - 4 Pin Connector from Control Board to Heater		See Heater Kit Parts List		

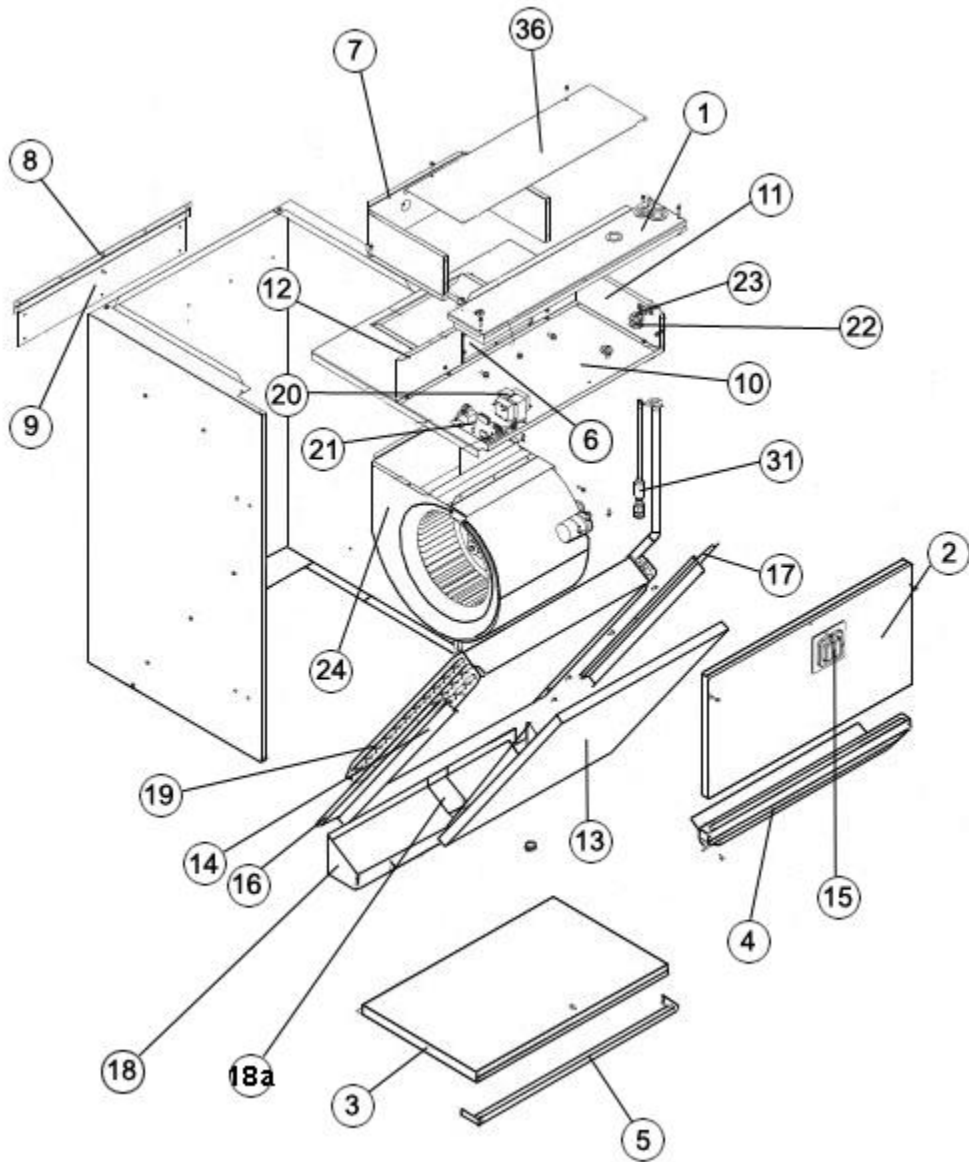
No.	Notes	MODEL CABINET CAPACITY VOLTAGE	RHAL-FR 18 J	RHAL-FR 24 J	RHAL-FR 30 J	RHAL-FR 36 J
BLOWER GROUP						
24	Stk	Blower Assembly (Includes items listed below)	AS-103222-01	AS-103222-02	AS-103222-03	AS-103222-04
25		Blower Housing w/Wheel	70-103221-02	70-103221-02	70-103221-01	70-103221-01
	Stk	Blower Wheel	703022	703022	703021	703021
26		Motor Mount - Band	70-19927-04	70-19927-04	70-19927-04	70-19927-04
27		Motor Mount - Arm (4)	70-19929-10	70-19929-10	70-19929-11	70-19929-11
28	Stk	Blower Motor	51-101728-08	51-101728-09	51-101728-03	51-101728-04
29	Stk,2	Capacitor - Blower Motor (before Date Code W3213)	43-101666-55	43-101666-43	43-101666-56	43-101666-43
29	Stk,2	Capacitor - Blower Motor (on or after Date Code W3213)	See Note 2	43-101666-43	43-101666-56	43-101666-43
30		Strap - Capacitor	AE-50892-12	AE-50892-12	AE-50892-12	AE-50892-12
32		Bolt	63-19919-01	63-19919-01	63-19919-01	63-19919-01
33		Locknut	63-17189-03	63-17189-03	63-17189-03	63-17189-03
34		Washer (4)	63-26198-02	63-26198-02	63-26198-02	63-26198-02
35		Screw (4)	63-101978-01	63-101978-01	63-101978-01	63-101978-01

No.	Notes	MODEL CABINET CAPACITY METERING VOLTAGE	RHAL- FR 18 P J	RHAL- FR 24 P J	RHAL- FR 30 P J	RHAL- FR 36 P J	RHAL- FR 36 T J
COIL GROUP							
19		Coil	RCKL-P18A	RCKL-P24A	RCKL-P30A	RCKL-P36A	RCKL-T36A
		Header - Coil	82-103227-04	82-103227-04	82-103227-05	82-103227-05	82-103227-06
		Coil Seal	68-103682-01	68-103682-01	68-103682-02	68-103682-02	68-103682-02
16		Coil Bracket - Left	AE-103106-01	AE-103106-01	AE-103106-05	AE-103106-05	AE-103106-05
17		Coil Bracket - Right	AE-103106-02	AE-103106-02	AE-103106-06	AE-103106-06	AE-103106-06
18	Stk	Drain Pan	68-103104-01	68-103104-01	68-103104-02	68-103104-02	68-103104-02
18a		Drain Shield	AE-104877-01	AE-104877-01	AE-104877-01	AE-104877-01	AE-104877-01
31	Stk	Distributor/Piston Assembly	61-103303-47	61-103303-53	61-103304-61	61-103304-65	N/A
	Stk	Piston	61-22613-47	61-22613-53	61-22613-61	61-22613-65	N/A
31	Stk	TXV - Expansion Valve	N/A	N/A	N/A	N/A	61-103652-01
		Bulb Strap Kit - TXV	N/A	N/A	N/A	N/A	64-101357-01

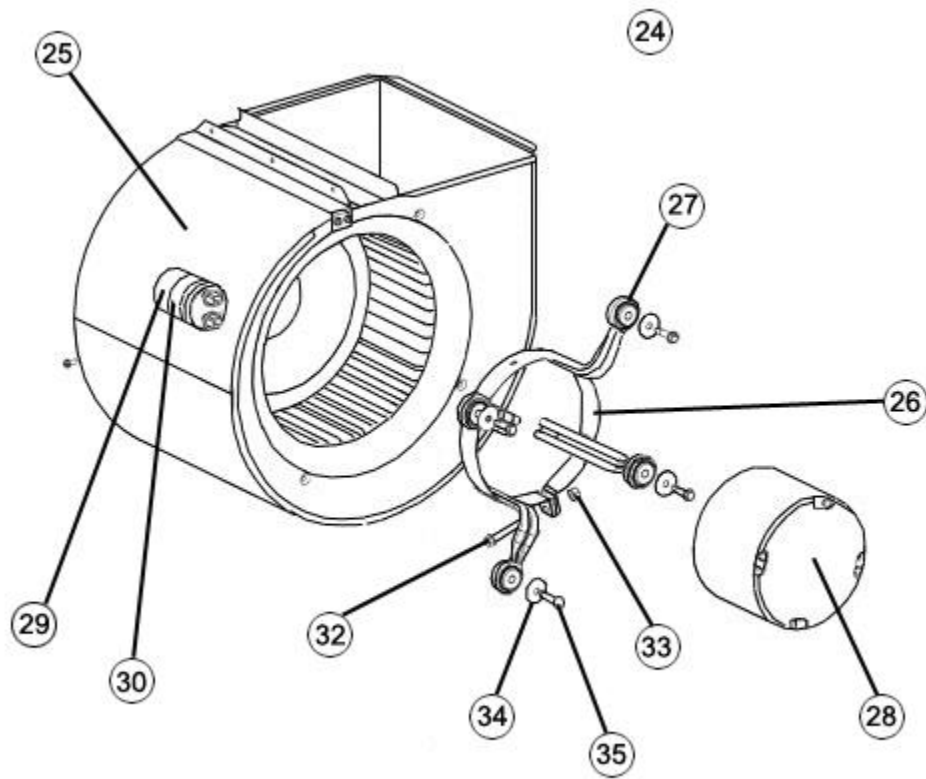
No.	Notes	MODEL CABINET CAPACITY VOLTAGE	RHAL- FR 18 J	RHAL- FR 24 J	RHAL- FR 30 J	RHAL- FR 36 J	
HEATER KITS							
		Heater Kit - 3kW/208-230/1	RXHJ-21B03J	RXHJ-21B03J	RXHJ-24B03J	RXHJ-24B03J	
		Heater Kit - 5kW/208-230/1	RXHJ-21B05J	RXHJ-21B05J	RXHJ-24B05J	RXHJ-24B05J	
		Heater Kit - 8kW/208-230/1	RXHJ-21B08J	RXHJ-21B08J	RXHJ-24B08J	RXHJ-24B08J	
		Heater Kit - 10kW/208-230/1	N/A	RXHJ-21B10J	RXHJ-24B10J	RXHJ-24B10J	



Exploded View 018-024



Exploded View 030-036



Blower Assembly

NOTES

Stk It is recommended that stock be maintained for this part.

N/A Not Applicable

- 1 Panel is without insulation. Insulation must be ordered separately.
- 2 For units produced on or after W3213, the capacitor must be determined by examining the motor rating label of the motor installed in the blower assembly. For motors requiring 7.5 uF, use 43-101666-42. For motors requiring 10 uF, use 43-101666-55.

DISCLAIMER: This document is intended to provide general replacement parts information to aid qualified service personnel in the repair of these models. The complete Model and Serial Number of the unit under repair should be specified when selecting and ordering replacement parts. Specifications and illustrations are subject to change without notice. Document 92-42800-RHAL supersedes all previous parts lists for these models. See <http://www.rheempartslists.net/92-42800-RHAL> for the latest revision of this document. The manufacturer assumes no obligation for errors or omissions. Service personnel must verify the proper and safe operation of equipment after the replacement of any original components.